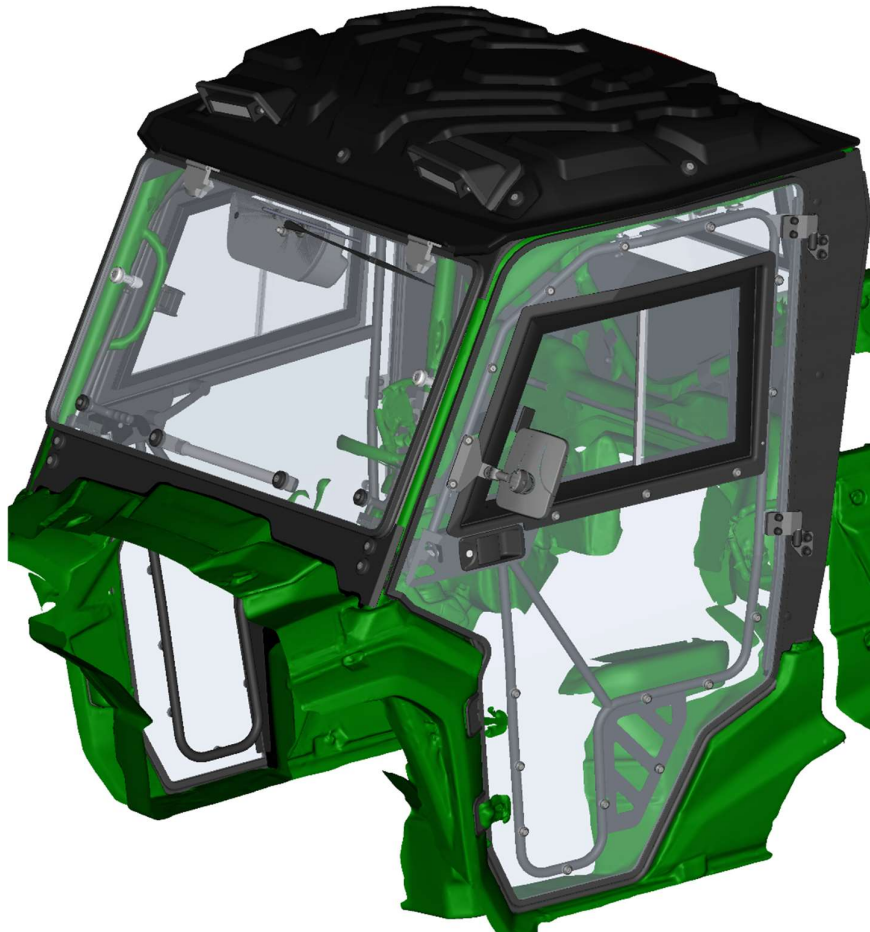


HardCabs →

SPARE - PARTS CATALOG

HONDA **PIONEER 1000 (SXS) 3/5**



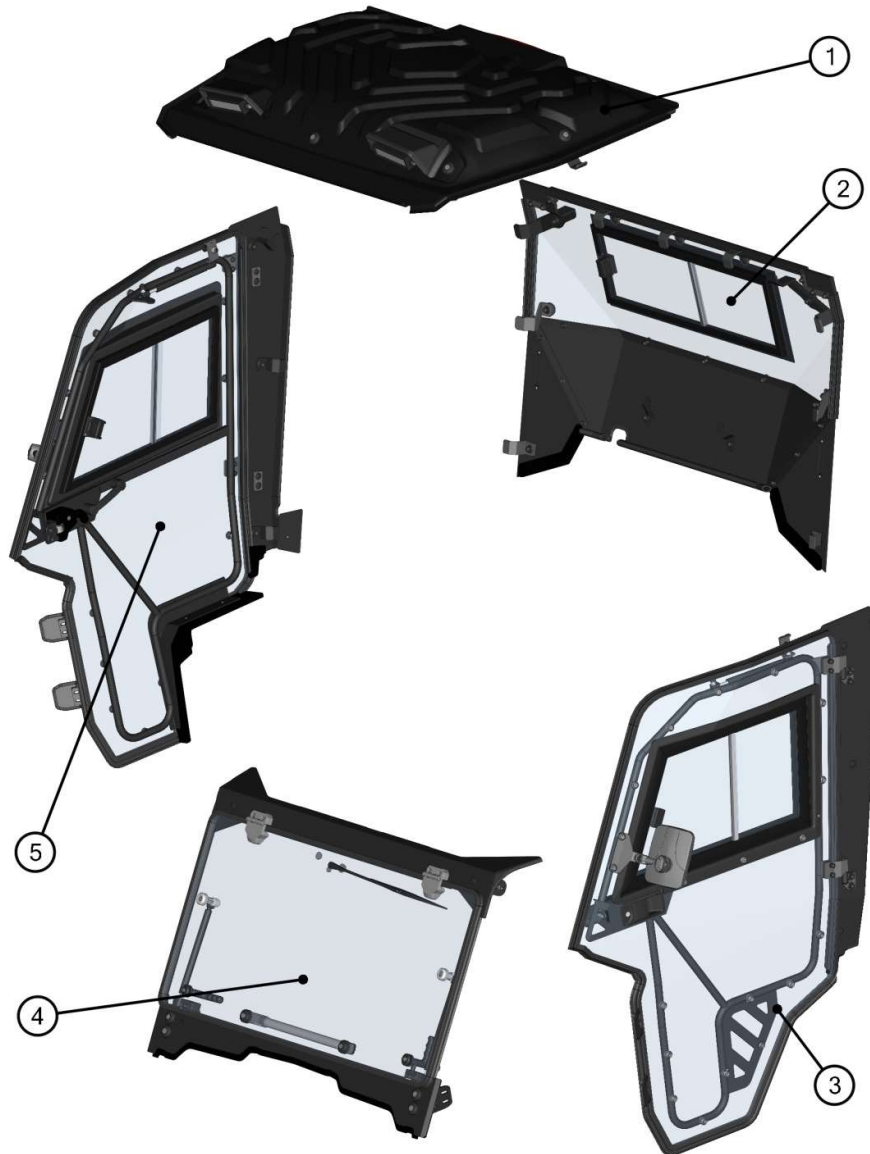
1/2023

CAB PREVIEW



2

ALL PANELS



3

ID	Catalog no.	Description	Qty
1	50S02U07S30	ROOF	1
2	50S02U07S20	REAR PANEL	1
3	50S02U07S40	LEFT DOOR	1
4	50S02U07S10	FRONT PANEL	1
5	50S02U07S50	RIGHT DOOR	1
-	-----	ELECTROINSTALLATION	1

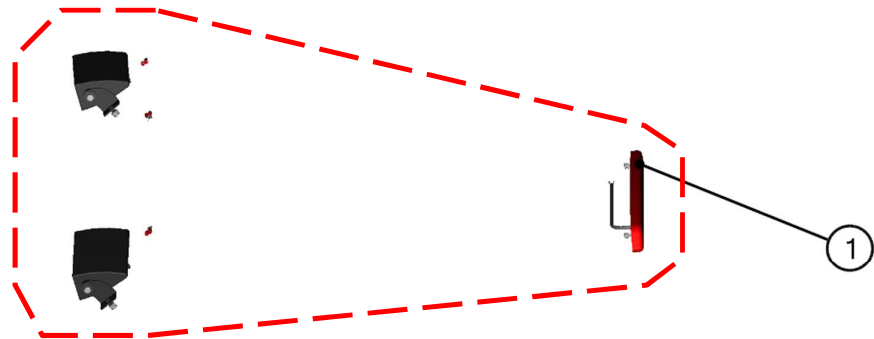
Page
5
7
14
9
20
25

Price

ROOF PANEL



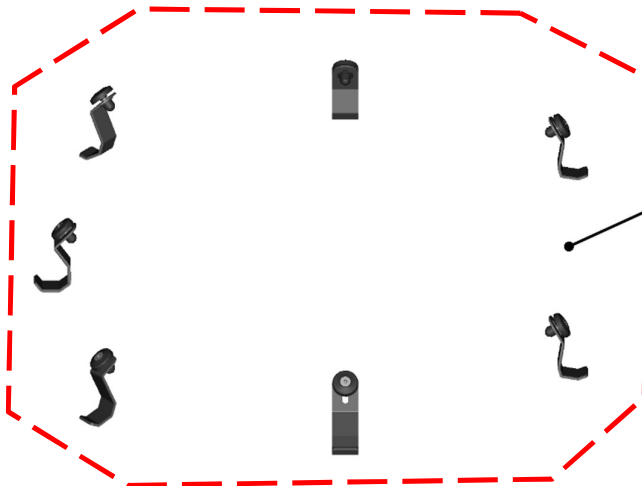
ROOF PANEL ASSEMBLIES



1



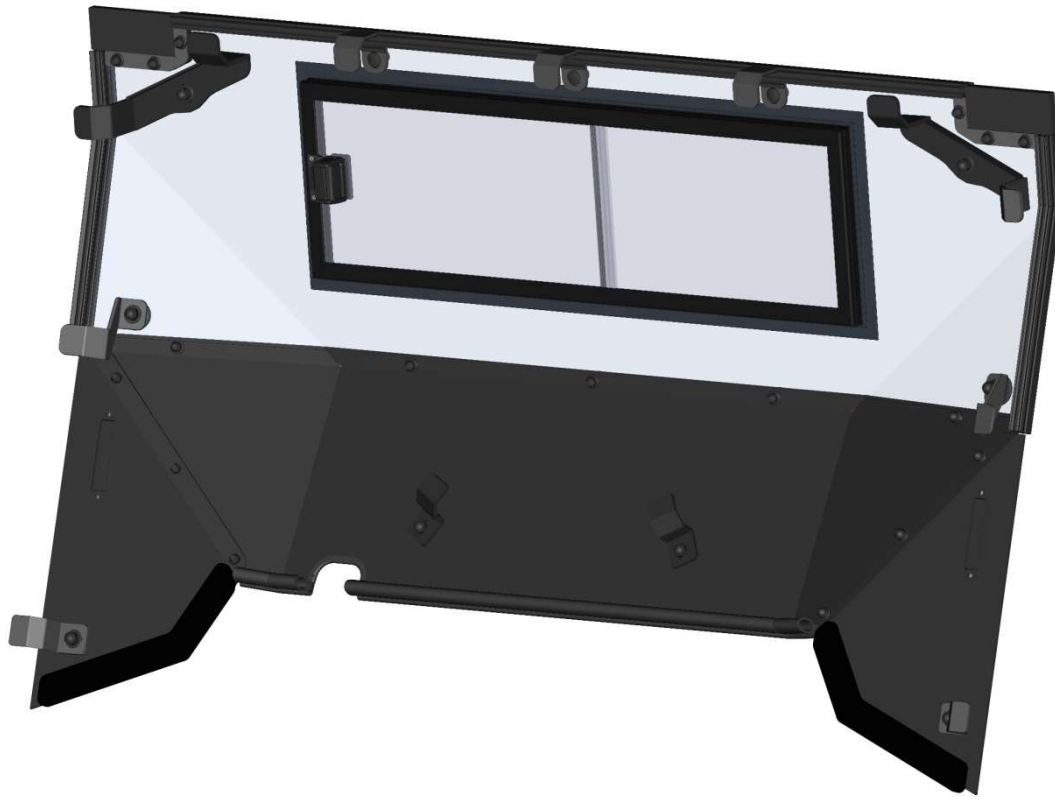
2



3

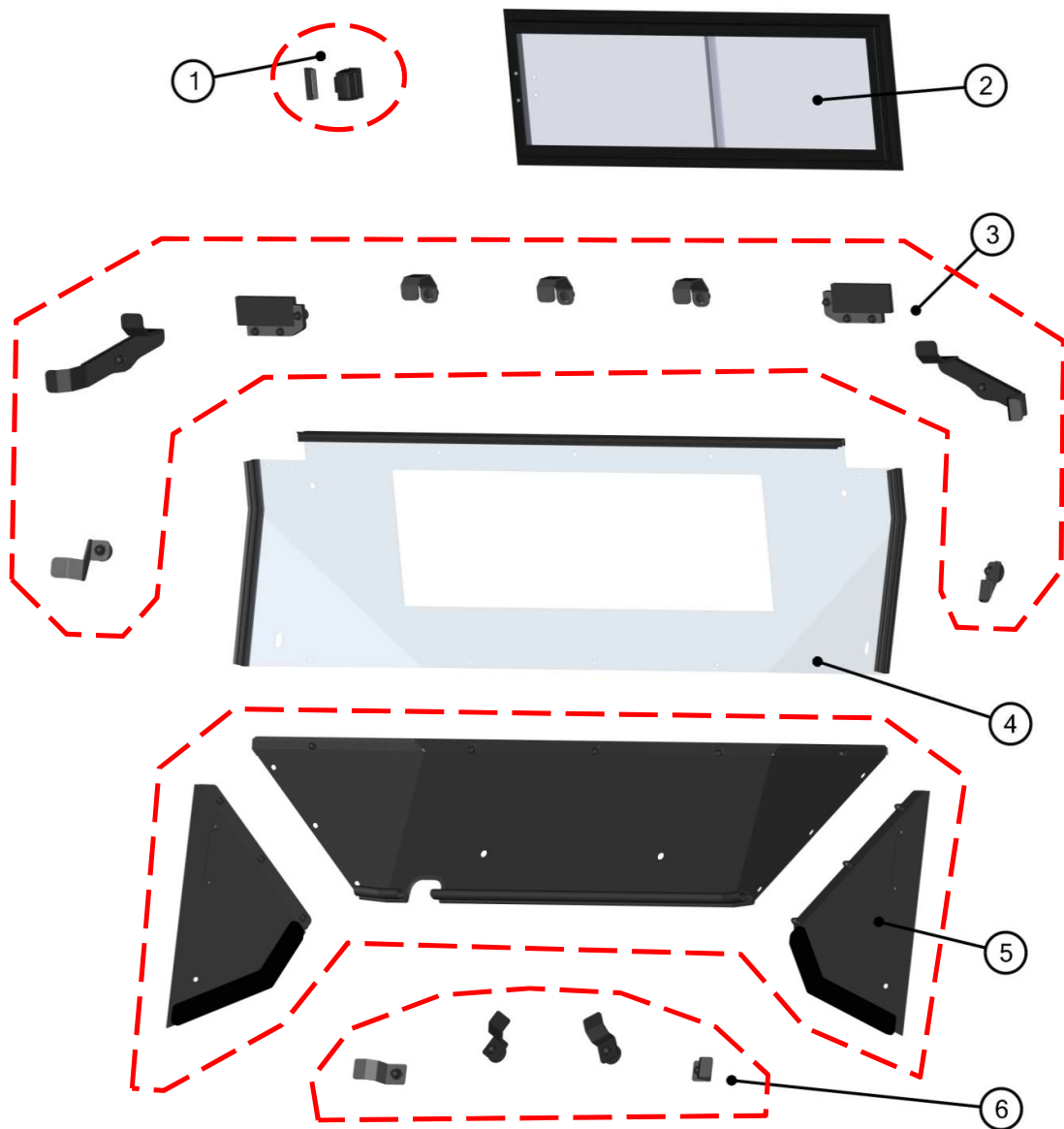
ID	Catalog no.	Description	Qty	Price
1	50S02U07-30PKM001	ROOF LIGHT KIT	1	
2	50S02U07-30M002	ROOF ASSEMBLY	1	
3	50S02U07-30PKM002	ROOF HOLDER KIT	1	

REAR PANEL



6

REAR PANEL ASSEMBLIES



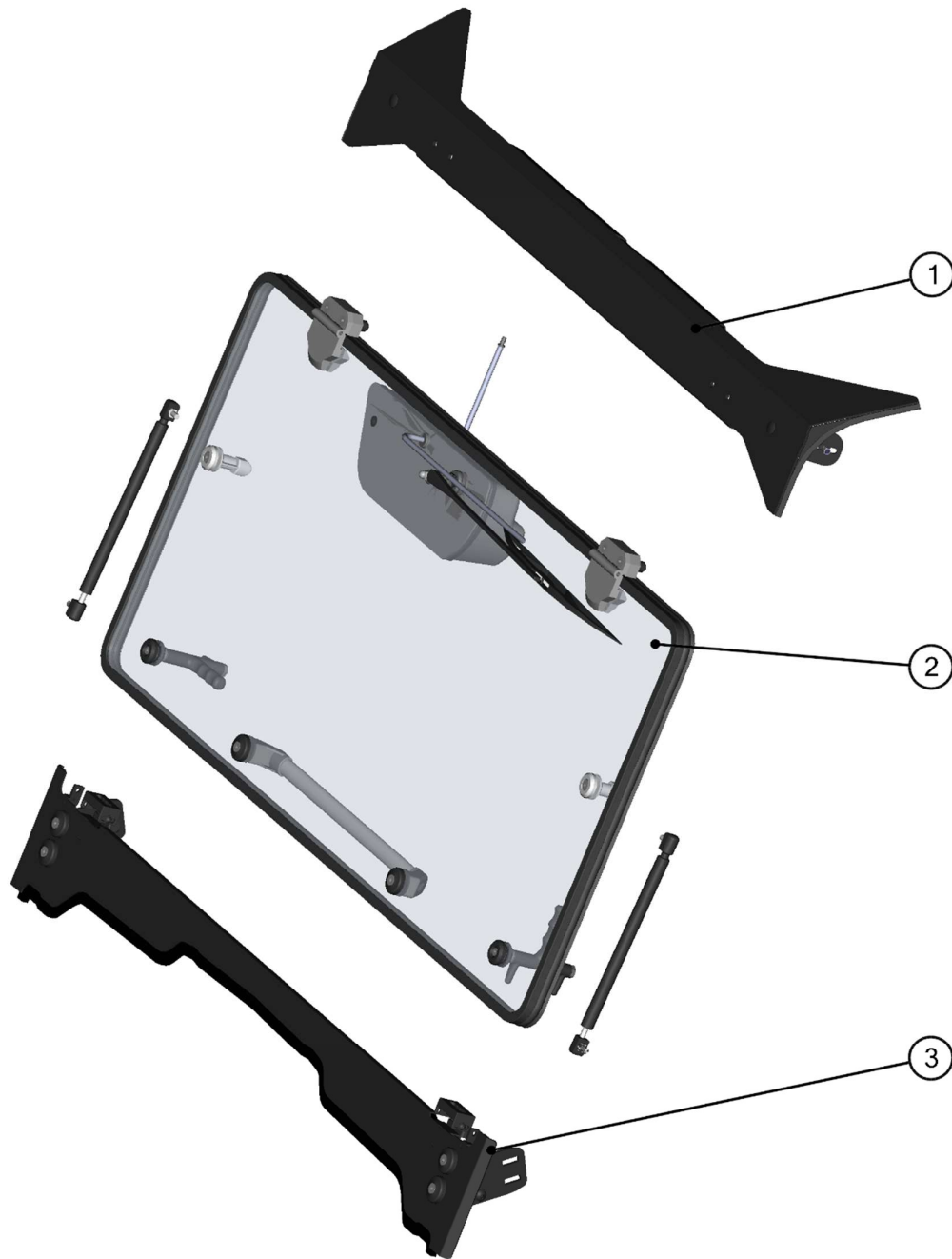
7

ID	Catalog no.	Description	Qty	Price
1	50S02U02-40PKM001	GLASS LOCK WITH STOP KIT	1	
2	50S02U07-20M002	REAR WINDOW ASSEMBLY	1	
3	50S02U07-20PKM001	REAR UPPER HARDWARE KIT	1	
4	50S02U07-20PKM002	REAR POLY WITH SEALING	1	
5	50S02U07-20PKM003	REAR BOTTOM COVERS KIT	1	
6	50S02U07-20PKM004	REAR BOTTOM HOLDERS KIT	1	

FRONT PANEL

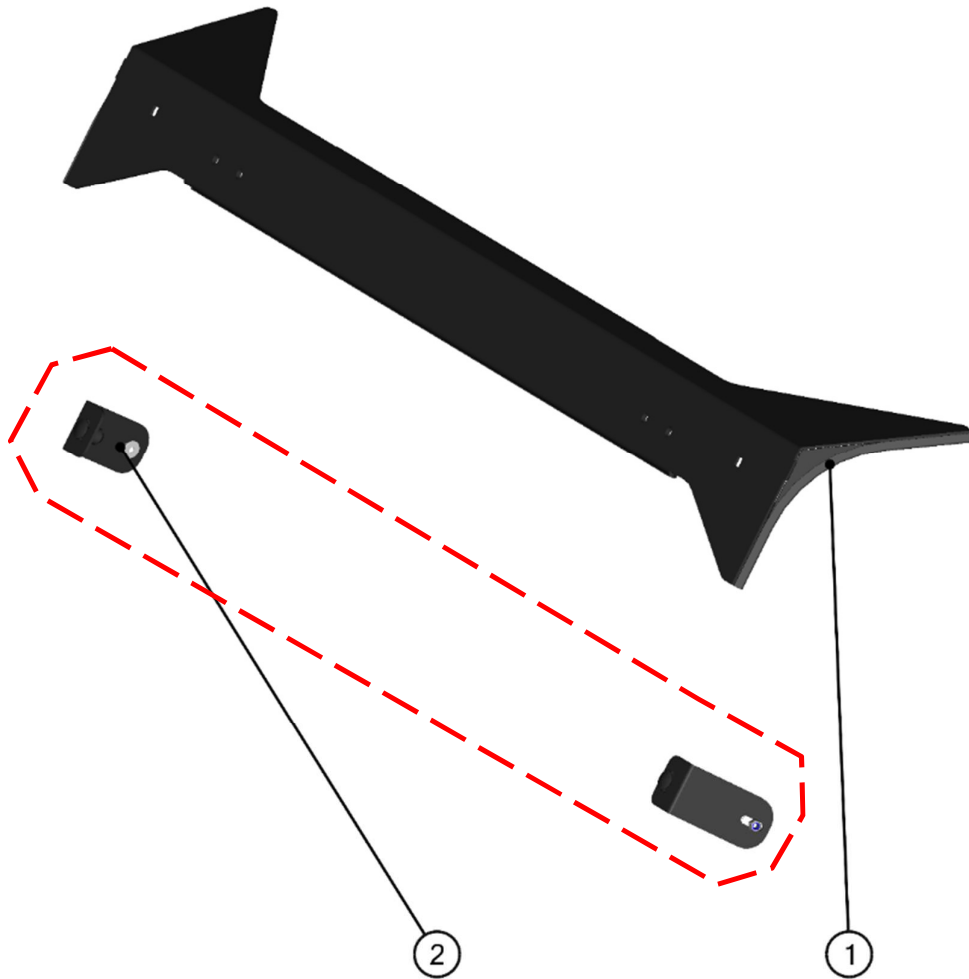


FRONT PANEL ASSEMBLIES



9

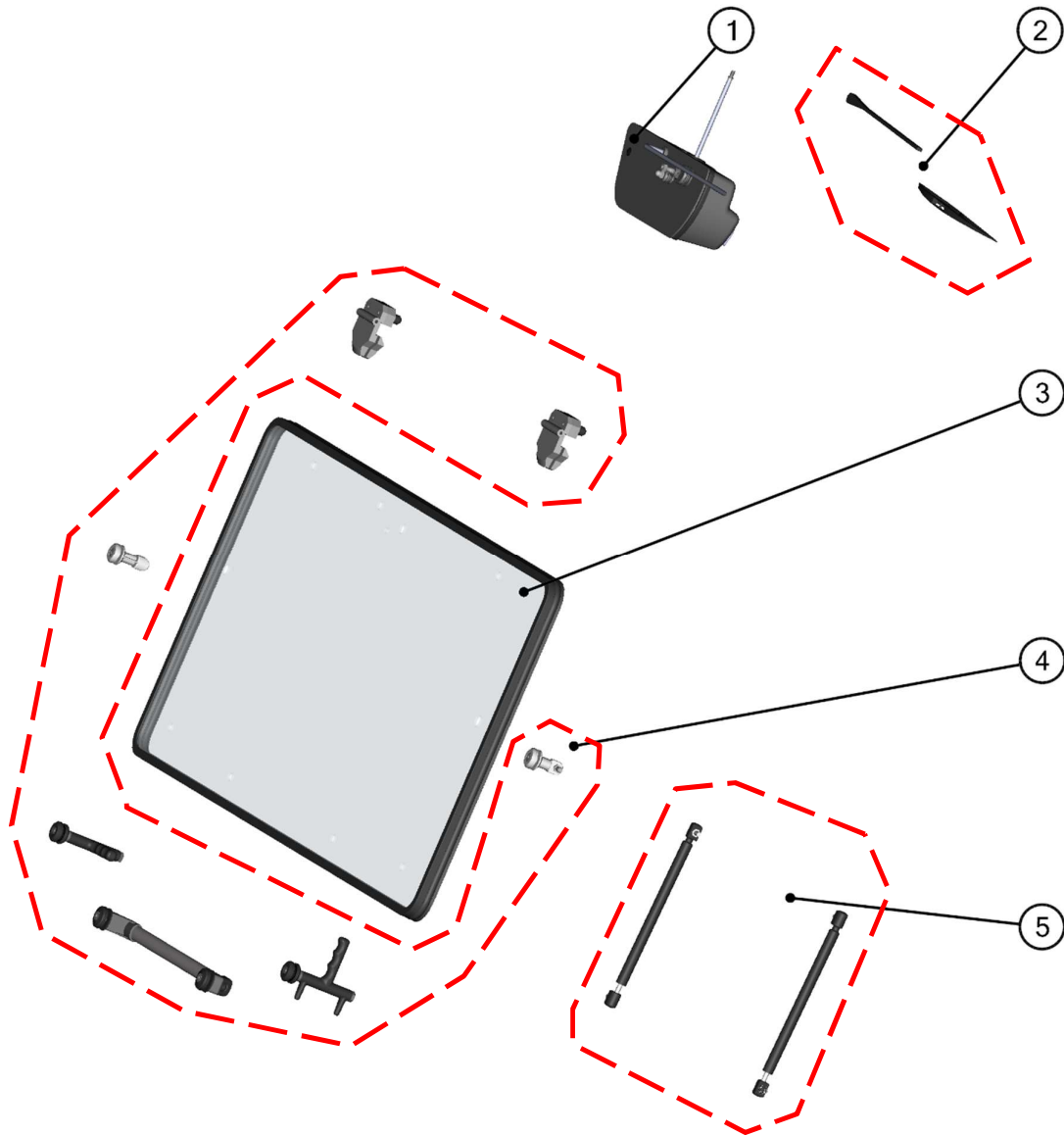
FRONT UPPER ASSEMBLIES



10

ID	Catalogue no.	Description	Qty	Price
1	50S02U02-10M011	FRONT UPPER LEDGE ASSEMBLY	1	
2	50S02U02-10PKM001	FRONT UPPER HARDWARE KIT	1	

FRONT WINDOW ASSEMBLIES

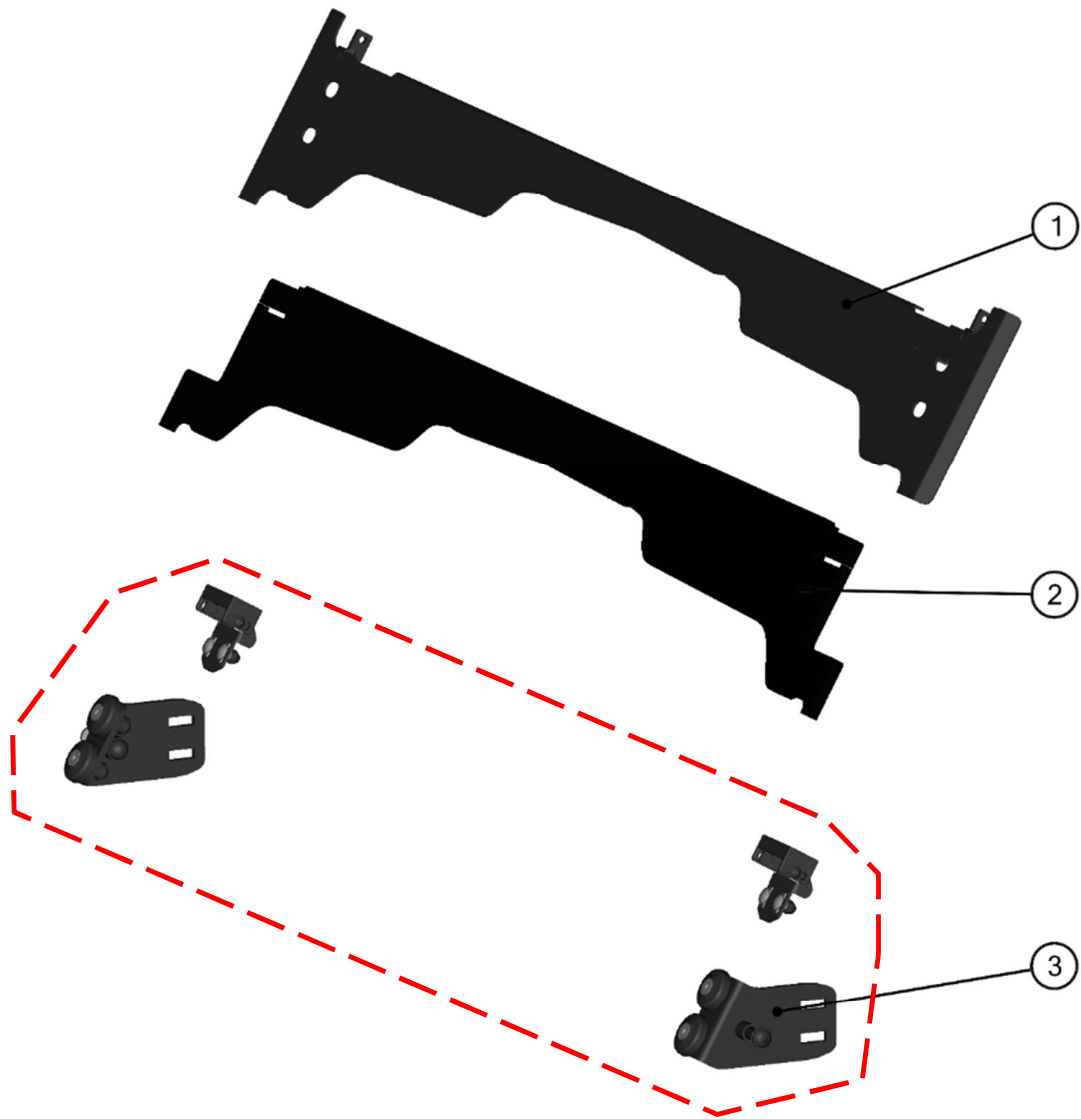


11

ID	Catalog no.	Description	Qty
1	61S05U01-10M007	FRONT WIPER MOTOR	1
2	50S02U02-10PKM002	WIPER ARM + WIPER BLADE	1
3	50S02U07-10M001	FRONT WINDOW WITH SEALING	1
4	50S02U02-10PKM003	FRONT HARDWARE KIT	1
5	50S02U02-10PKM005	FRONT GAS SPRING KIT	1

Price

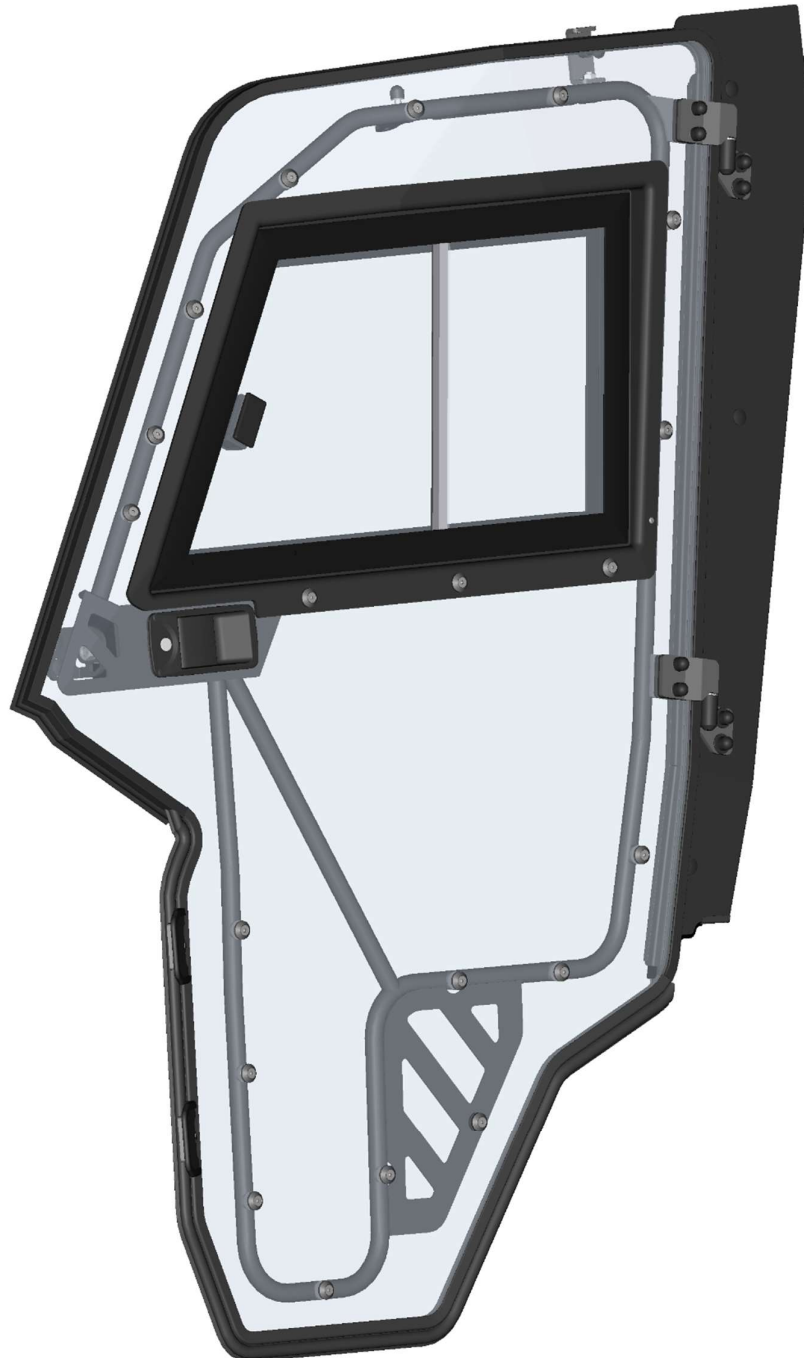
FRONT BOTTOM ASSEMBLIES



12

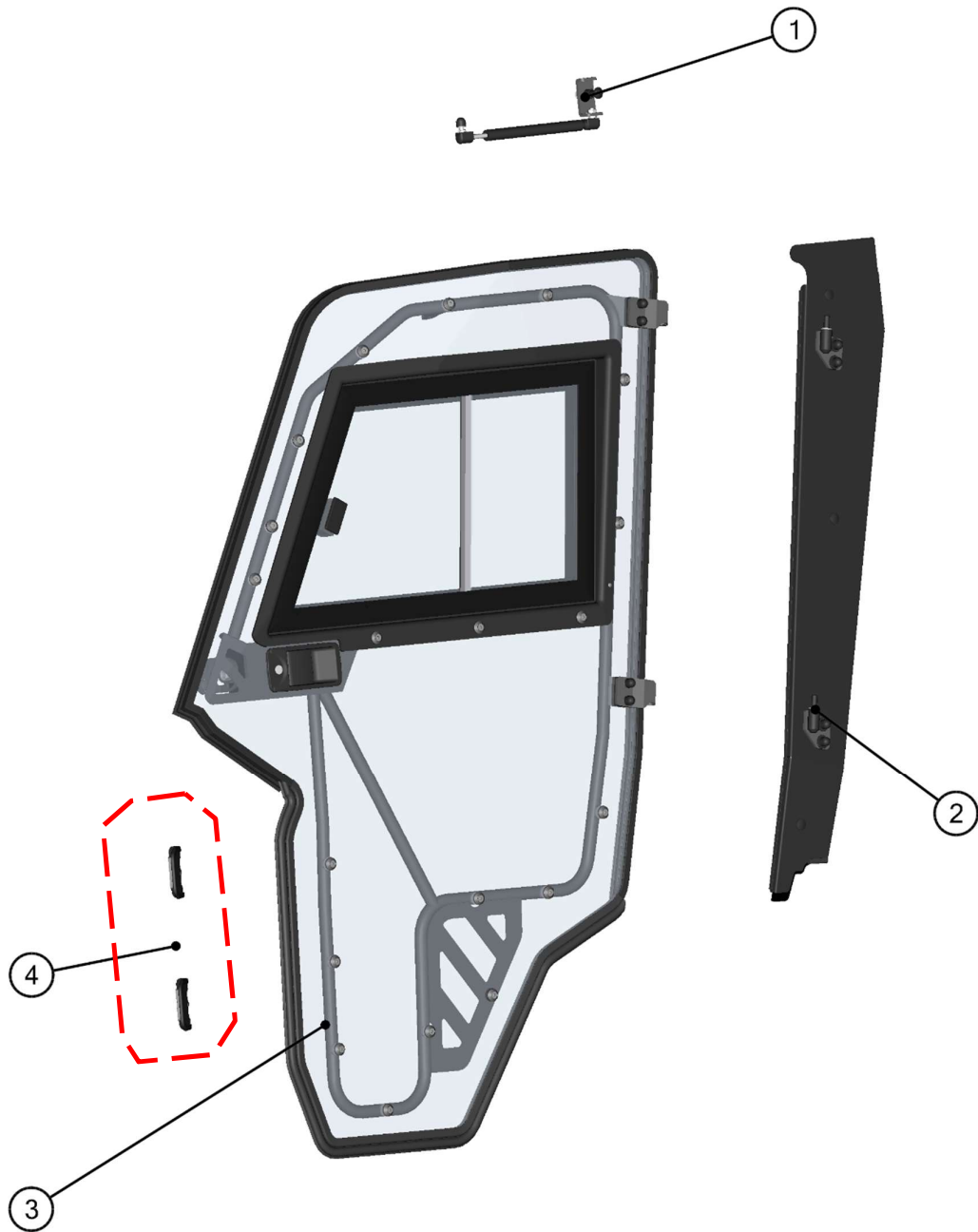
ID	Catalogue no.	Description	Qty	Price
1	50S02U02-10W002	FRONT BOTTOM LEDGE WELDED	1	
2	50S02U02-10-005	FRONT EPDM LEDGE	1	
3	50S02U02-10PKM004	FRONT BOTTOM HARDWARE KIT	1	

LEFT DOOR

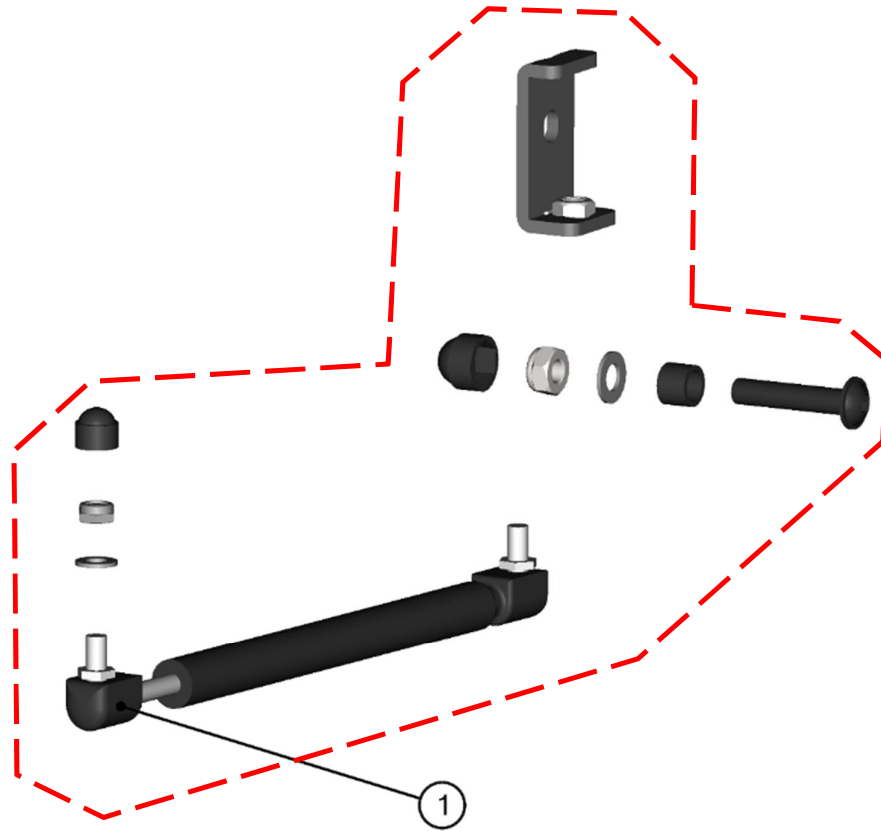


13

LEFT DOOR ASSEMBLIES



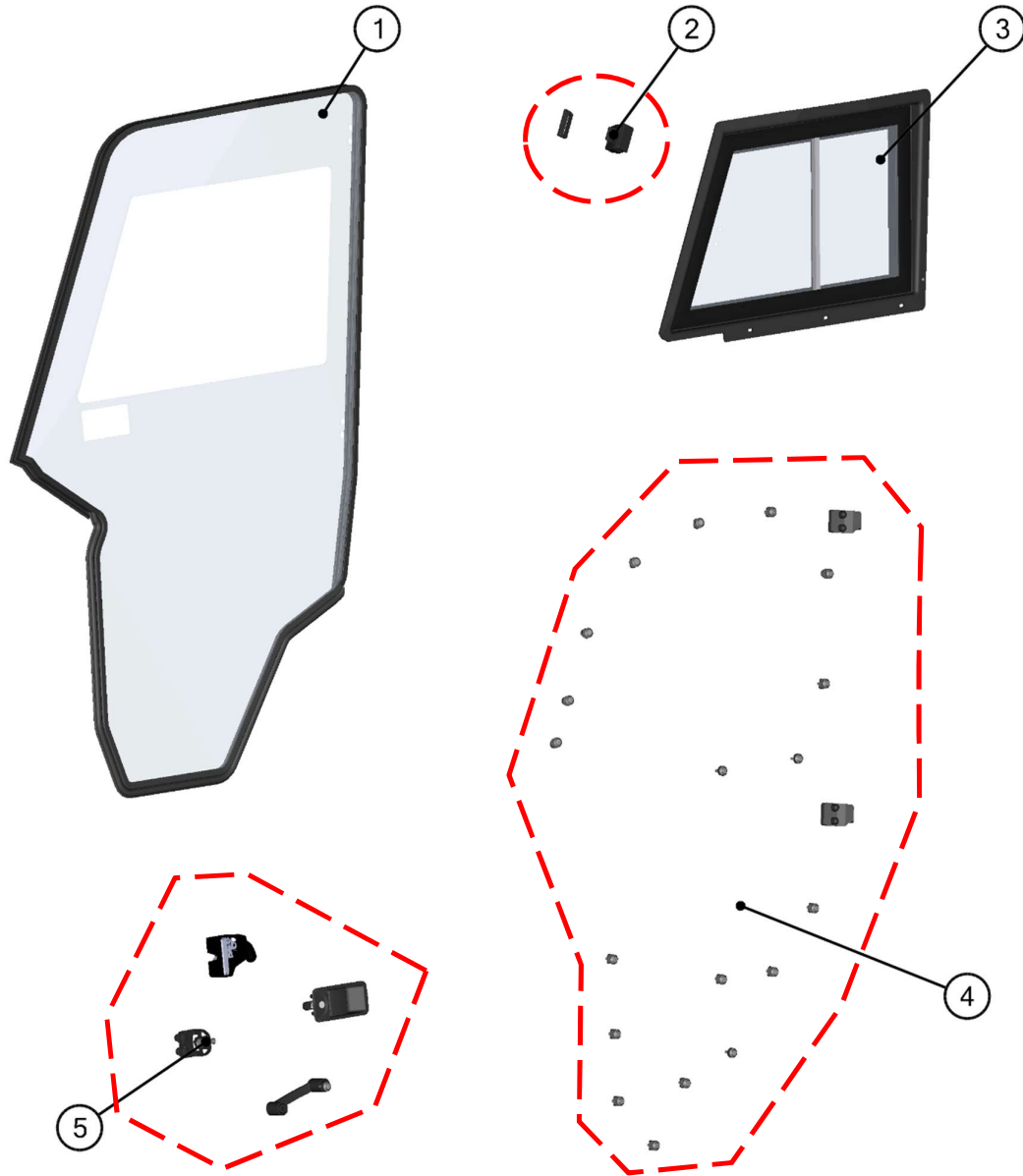
DOOR GAS SPRING ASSEMBLY



15

ID	Catalogue no.	Description	Qty	Price
1	50S02U02-40M009	DOOR GAS SPRING ASSEMBLY	1	

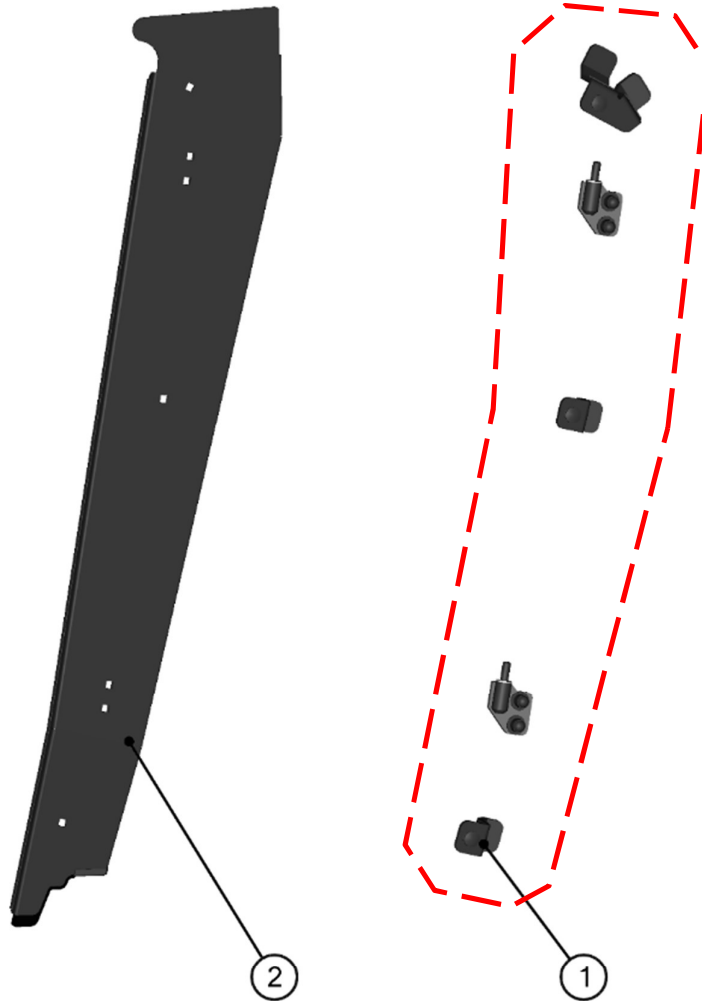
LEFT DOOR ASSEMBLY



16

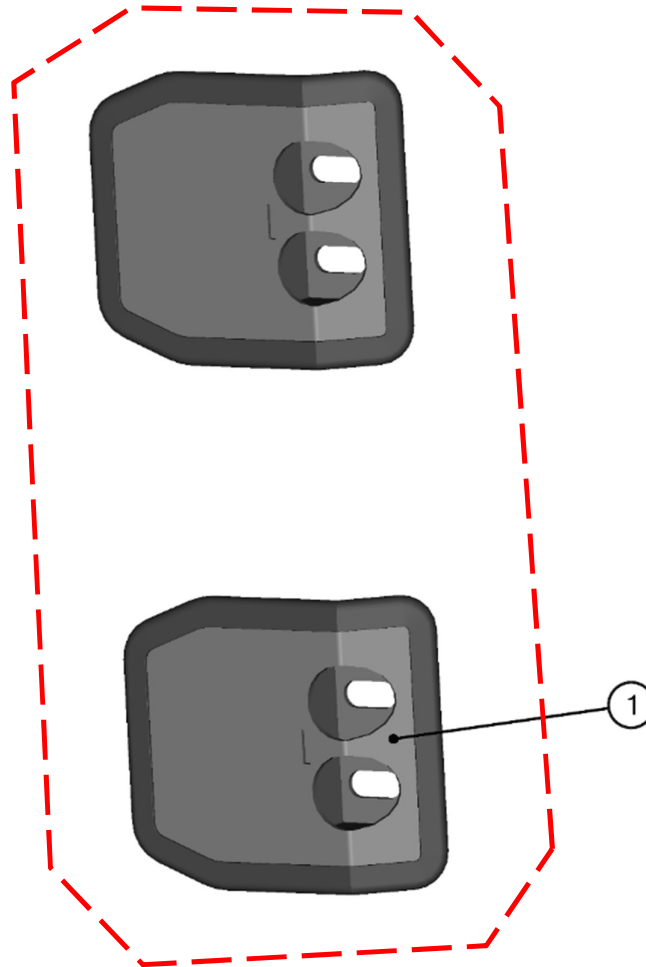
ID	Catalog no.	Description	Qty	Price
1	50S02U07-40M001	LEFT DOOR POLY WITH SEALING	1	
2	50S02U02-40PKM001	GLASS LOCK WITH STOP KIT	1	
3	50S02U07-40M008	LEFT DOOR WINDOW ASSEMBLY	1	
4	50S02U07-40PKM001	LEFT DOOR HINGES WITH FIXING KIT	1	
5	50S02U07-40PKM002	LEFT DOOR LOCKS WITH STOP KIT	1	

LEFT DOOR BASE ASSEMBLY



ID	Catalogue no.	Description	Qty	Price
1	50S02U06-40PKM004	LEFT DOOR BASE HARDWARE KIT	1	
2	50S02U06-40M011	LEFT DOOR BASE	1	

DOOR FRONT COVERS



18

ID	Catalogue no.	Description	Qty	Price
1	50S02U06-40PKM005	DOOR FRONT COVERS KIT	1	

RIGHT DOOR



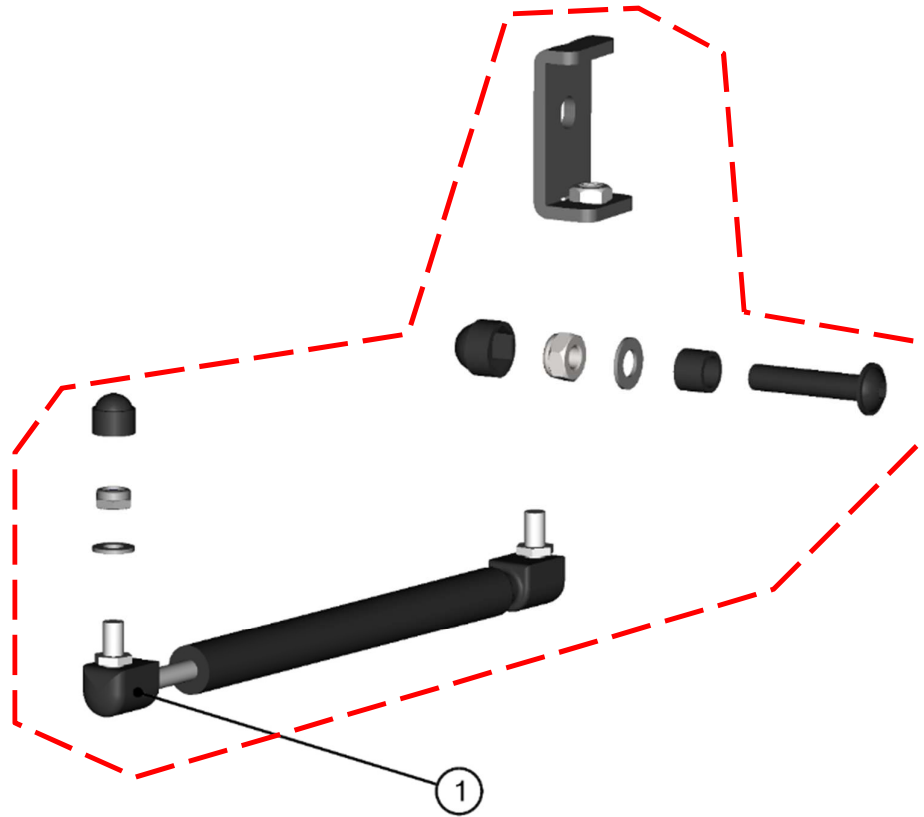
19

RIGHT DOOR ASSEMBLIES



20

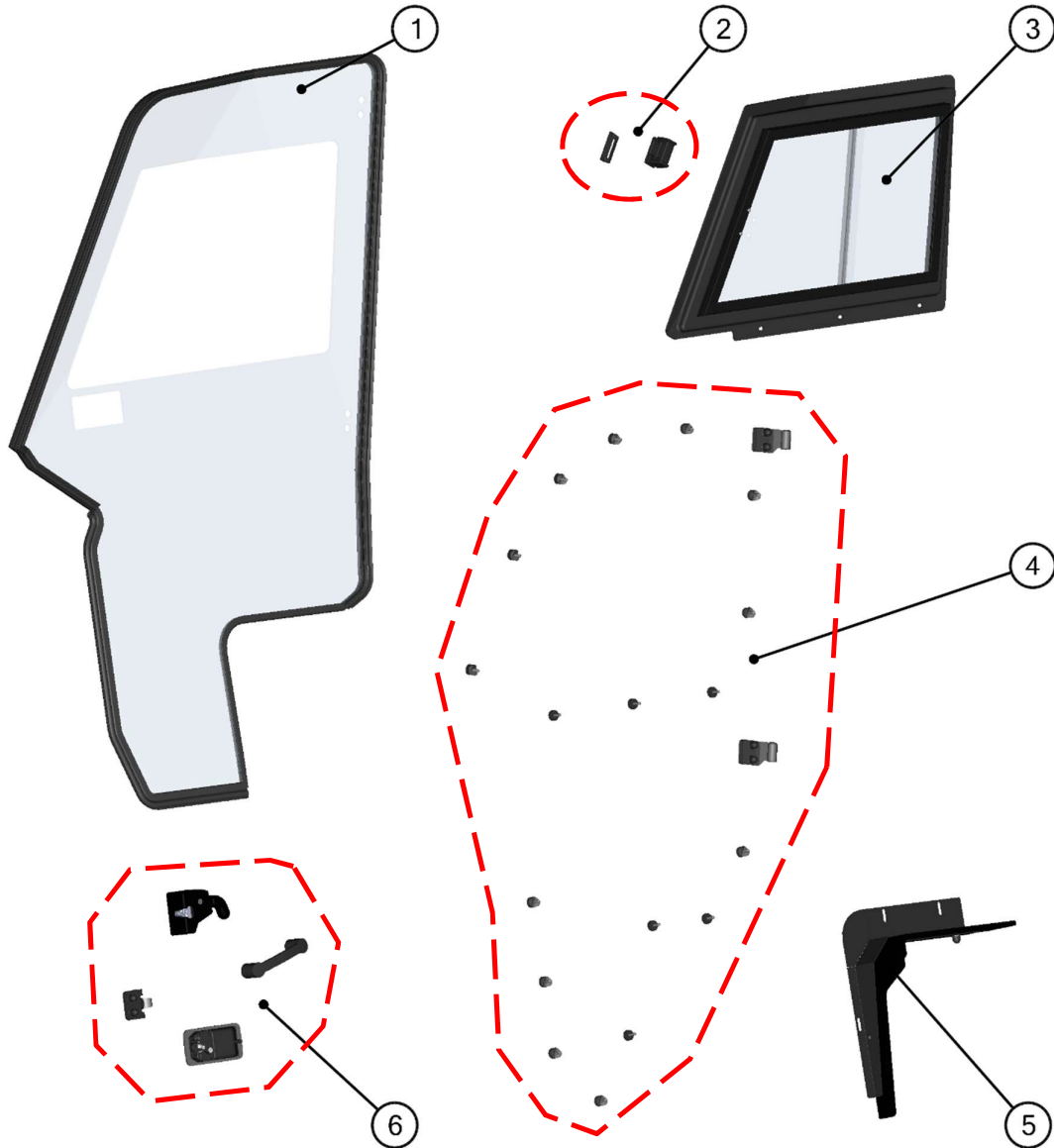
DOOR GAS SPRING ASSEMBLY



21

ID	Catalogue no.	Description	Qty	Price
1	50S02U02-40M009	DOOR GAS SPRING ASSEMBLY	1	

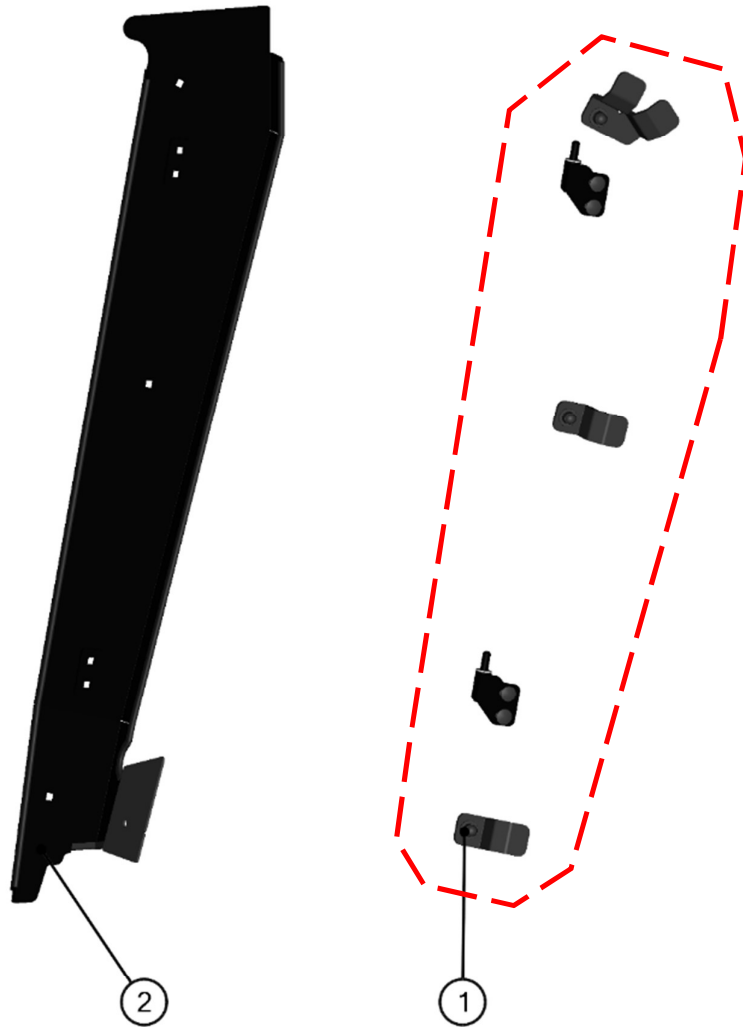
RIGHT DOOR ASSEMBLIES



22

ID	Catalog no.	Description	Qty	Price
1	50S02U07-50M001	LEFT DOOR POLY WITH SEALING	1	
2	50S02U02-40PKM001	GLASS LOCK WITH STOP KIT	1	
3	50S02U07-50M008	LEFT DOOR WINDOW ASSEMBLY	1	
4	50S02U07-50PKM001	LEFT DOOR HINGES WITH FIXING KIT	1	
5	50S02U02-50M020	RIGHT DOOR BOTTOM COVER ASSEMBLY	1	
6	50S02U07-50PKM002	LEFT DOOR LOCKS WITH STOP KIT	1	

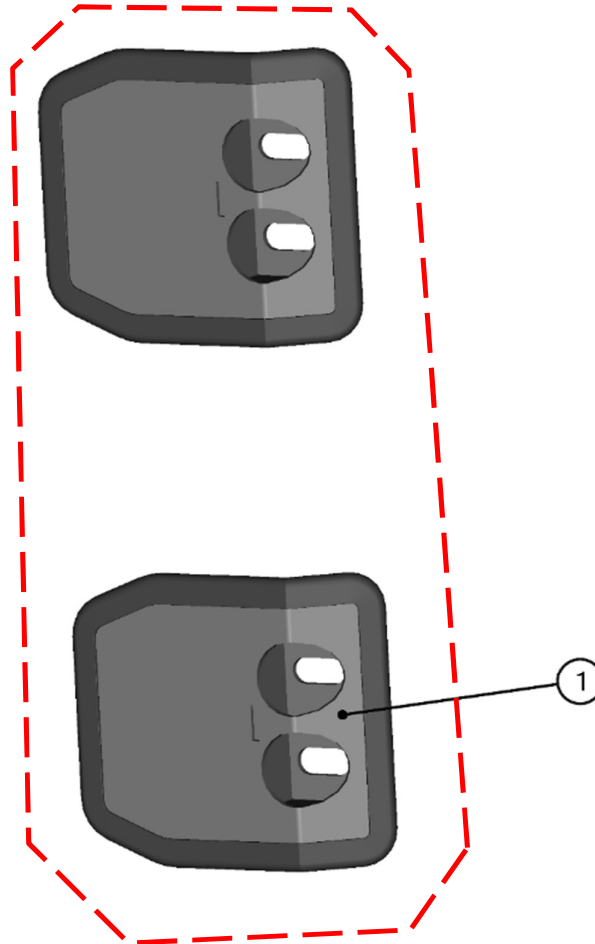
RIGHT DOOR BASE ASSEMBLY



23

ID	Catalogue no.	Description	Qty	Price
1	50S02U06-50PKM004	RIGHT DOOR BASE HARDWARE KIT	1	
2	50S02U06-50M011	RIGHT DOOR BASE ASSEMBLY	1	

DOOR FRONT COVERS



ID	Catalogue no.	Description	Qty	Price
1	50S02U06-40PKM005	DOOR FRONT COVERS KIT	1	

ELECTROINSTALLATION

Position	Catalogue no.	Description	Qty	Price
1	008641	LIGHT HARNESS	1	
2	008636	WIPER HARNESS	1	
3	000885	WASHER TANK	1	
4	006443	WASHER HARNESS	1	
5	005996	RELAY HARNESS	1	
6	50S02U02-02M002	HEATER ASSEMBLY	1	
7	002386	EL. VALVE	1	
8	50S02U02-02M005	HEATER HARNESS	1	
9	002471	WATER PUMP 12V	1	
10	00-109U-M006	SIDE MIRROR ASSEMBLY (PAIR)	1	

		
<p><i>Position : 1</i> Catalogue no.: 008641</p>	<p><i>Position : 2</i> Catalogue no.: 008636</p>	<p><i>Position : 3</i> Catalogue no.: 000885</p>
		
<p><i>Position : 4</i> Catalogue no.: 006443</p>	<p><i>Position : 5</i> Catalogue no.: 005996</p>	<p><i>Position : 6</i> Catalogue no.: 50S02U02-02M002</p>
		
<p><i>Position : 7</i> Catalogue no.: 002386</p>	<p><i>Position : 8</i> Catalogue no.: 50S02U02-02M005</p>	<p><i>Position : 9</i> Catalogue no.: 002471</p>

