

# *HardCabs* →

*INSTALLATION INSTRUCTIONS*

## **HONDA** **PIONEER 1000-3/5 SXS**



v. 1/2023

## **SAFETY INSTRUCTIONS**

***Warning: Failure to heed all safety and operating instructions and warnings regarding use of this product can result in serious bodily injury.***

### ***READ PROPERLY COMPLETE ASSEMBLY INSTRUCTIONS BEFORE STARTING OF ASSEMBLY***

***Install all parts indicated in assembly instructions. Failure to fully assemble product before use could result in personal injury.***

***Assembly of product requires use of hand or power tools. If you are not experienced in using these types of tools, have product dealer do the install for you.***

***Some parts contain sharp edges, wear protective gloves if necessary.***

***Always keep your assembly area clean, uncluttered and well lit.***

***Keep visitors and children a safe distance away from the assembly area. Visitors should wear the same safety equipment described under.***

***Never operate your UTV with the cab doors open. Failure to properly latch the doors before moving the vehicle could result in serious injury.***

***Dress for safety. DO NOT wear loose clothing, gloves, neckties or jewelry if using power tools to assemble this product.***

***Insert all nut covers after you finish installation.***

***Never drive your UTV with the cab front window in open position. Failure of improperly latched/locked front window before driving the vehicle could result in serious injury.***

***Please be careful to not break the plastic washers, if you are tightening screws with plastic washers use maximal power 3,7 foot-pound force (5 Nm)!!!***

**WARNING:** For safety purposes, if the DFK Cab doors are removed, it is mandatory that the OEM manufactured Half Doors or Nets are **REINSTALLED** before operating the vehicle.

### **MAINTENANCE AND CLEANING**

*To clean polycarbonate surface use soapy water solution or other subtle means.*

*Dirt and dust wash by gently water stream and swipe only with wet or damp means in the direction from top to bottom.*

*The recommended frequency of cleaning of polycarbonate part is about 1 time per month or according to the actual degree of pollution.*

*Do not use detergents that could scratch the surface plates.  
(abrasives, harsh fabrics, etc.)*

*Do not use solvents or alkaline detergents or cleaners with ammonia  
(ammonium hydroxide).*

*Do not remove the impurities from the surface of the razor blades or other sharp items.*

*Do not clean cabine, when the polycarbonate plates are heated by the sun.*

*Do not use the squeegee, it could be scratched surface plates.*

*Do not clean the water current strength greater than 50 bar (WAP)*

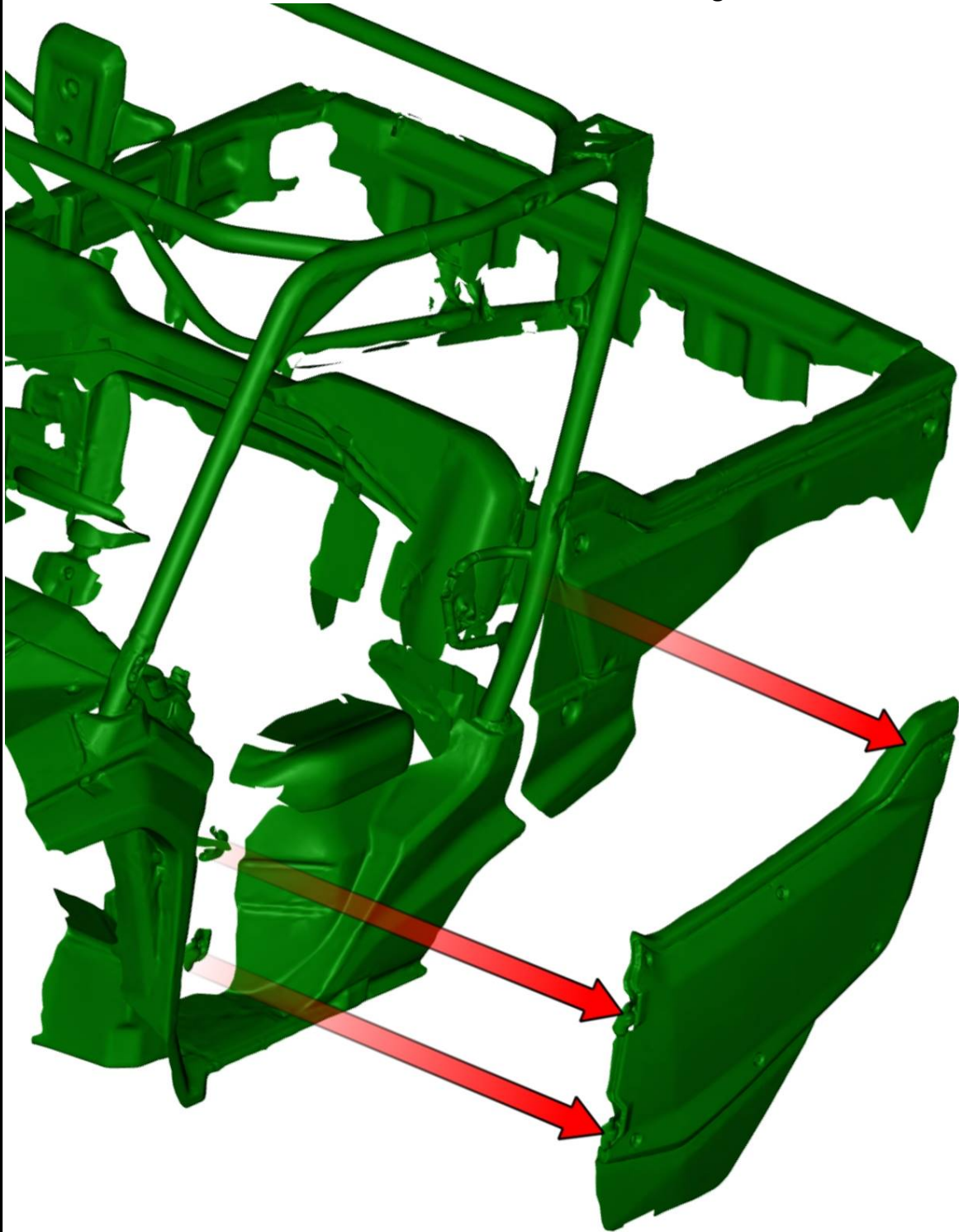
*The manufacturer is not responsible for scratching the surface in case of failure to comply with the above instructions.*

*All bolted connections of cab must be by user at regular intervals checked and tightened.*

*Please be carefull to not broken the plastic washers, if you tightening screws with plastic washers use maximal power 3,7 foot-pound force (5 Nm)!!!*

**PREPARATION FOR INSTALLATION:**

Uninstall all additional systems from the roller cages (work lights, rear mirrors, drink holders etc.) Uninstall the original half front doors from the UTV roll cage on both sides and save the screws for later usage.



CAB PREVIEW

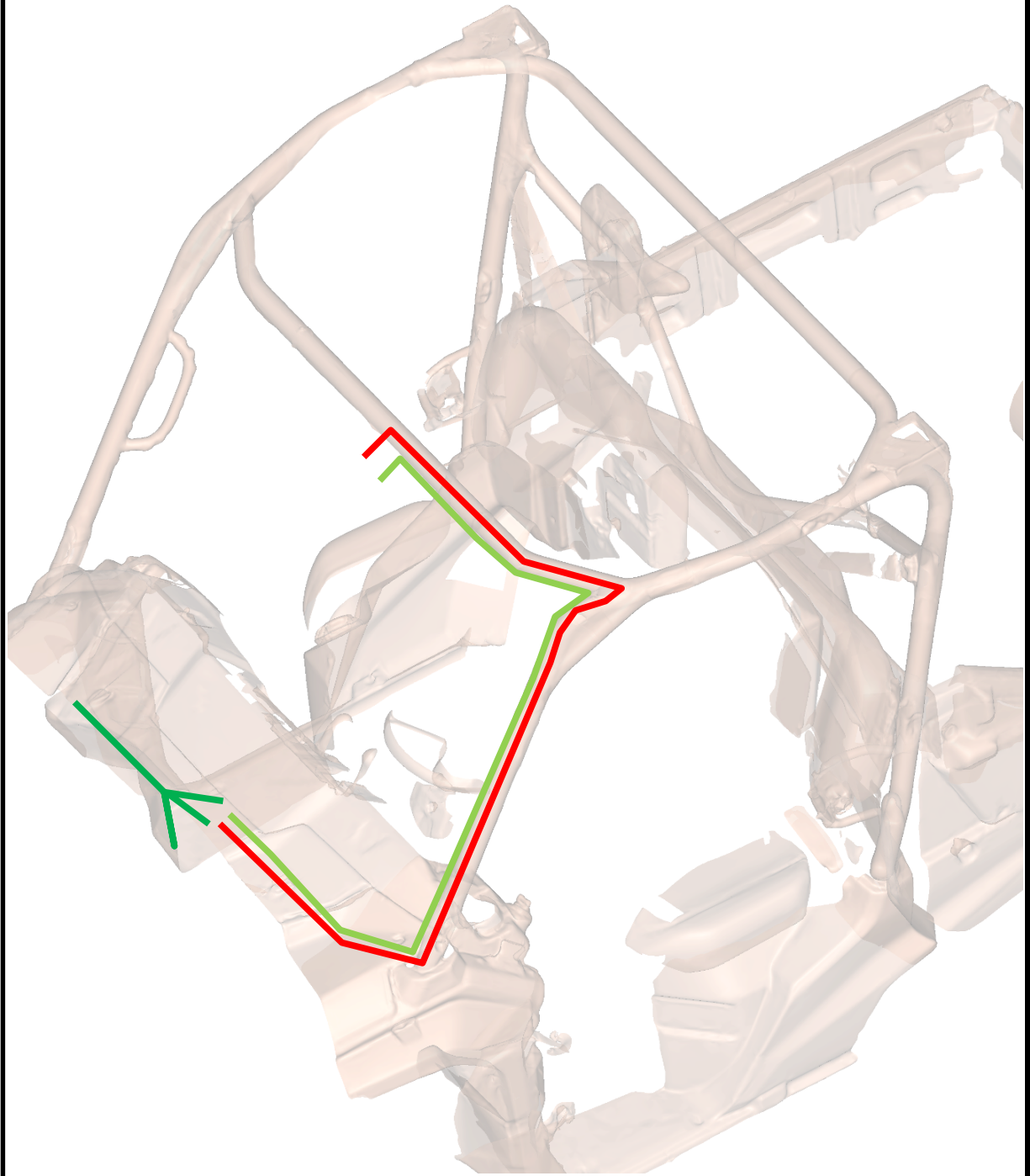


5

**ELECTROINSTALLATION WIPER / WASHER 1.**

**RELAY, WIPER AND WASHER HARNESS RUN DIAGRAM**

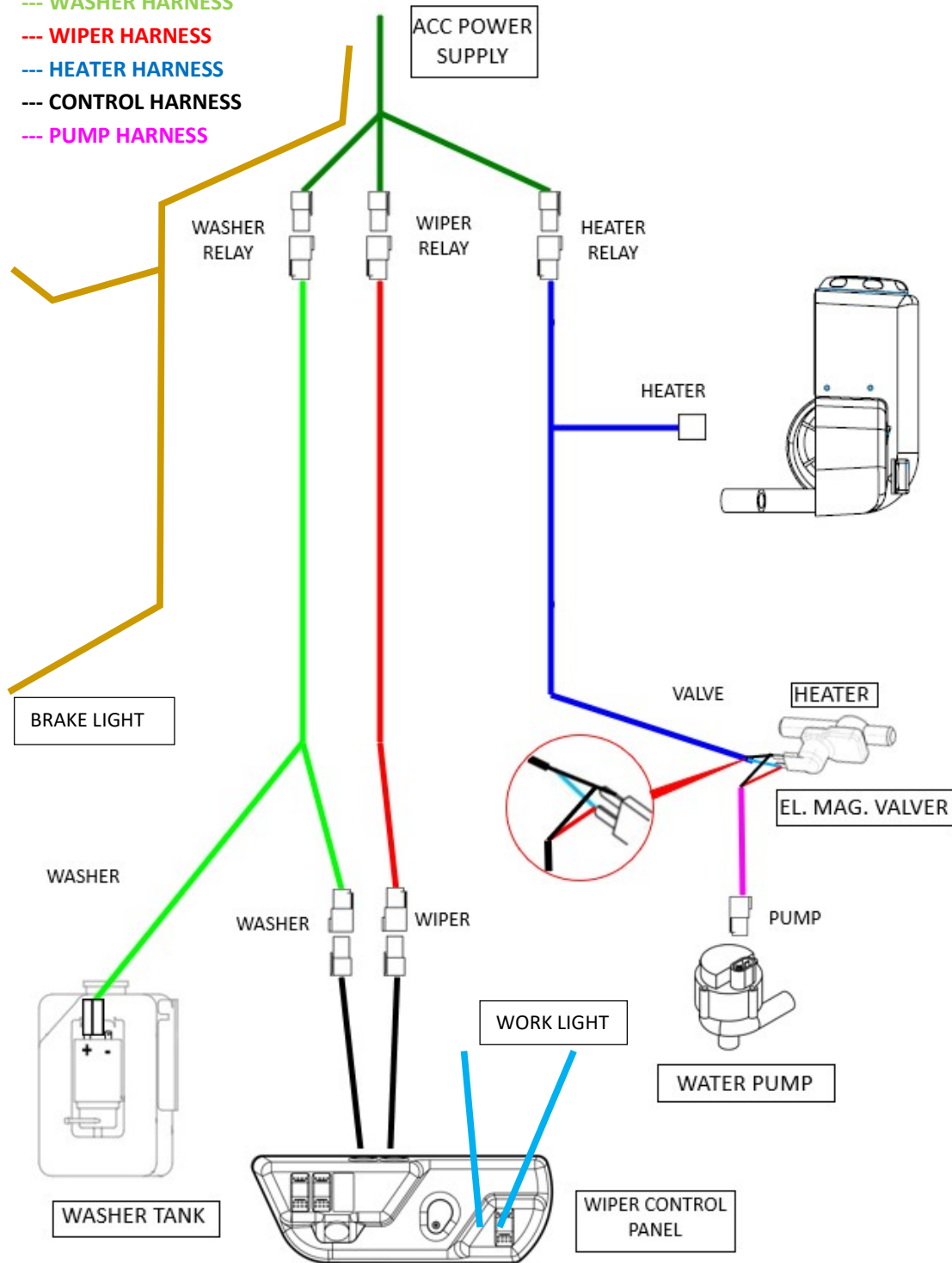
- SUPPLY HARNESS
- WASHER HARNESS
- WIPER HARNESS



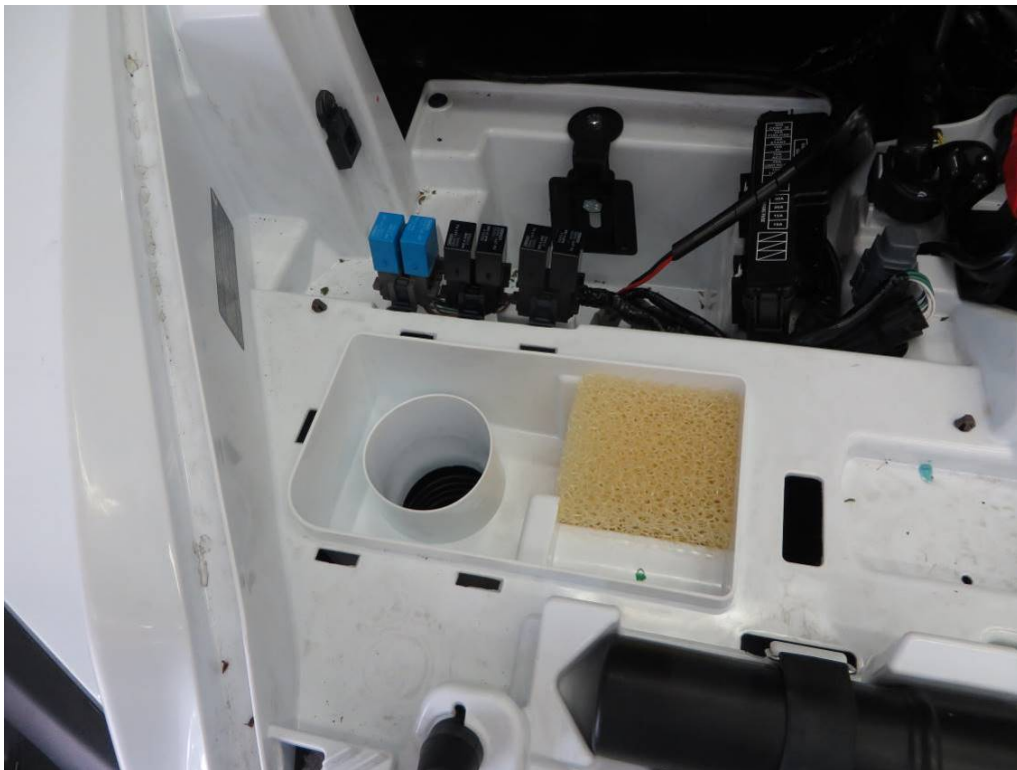
6

OVERALL WIRING DIAGRAM

- BRAKE LIGHT HARNESS
- WORK LIGHT HARNESS
- SUPPLY HARNESS
- WASHER HARNESS
- WIPER HARNESS
- HEATER HARNESS
- CONTROL HARNESS
- PUMP HARNESS

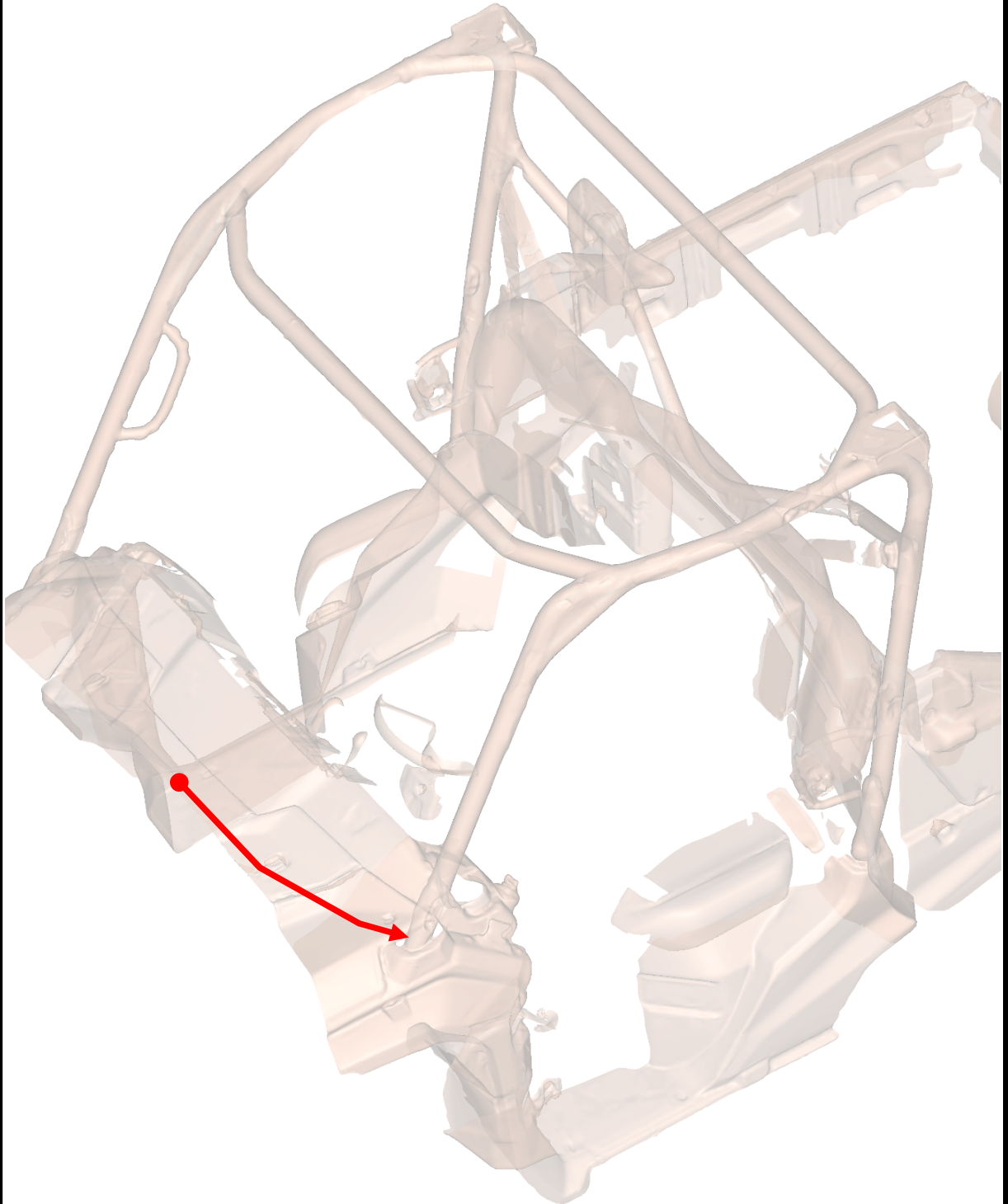


Uninstall the air filter and electroinstallation cover.





Place the wiper harness into the front dashboard (near original relay space).  
Run the wiper harness to the left front frame part.



Run the wiper harness through the original hole near vehicle frame.



SEE NEXT PAGES

Place the washer harness into the front dashboard (near original relay space).  
Run the washer harness to the left front frame part.



Run the wiper harness through the original hole near vehicle frame.



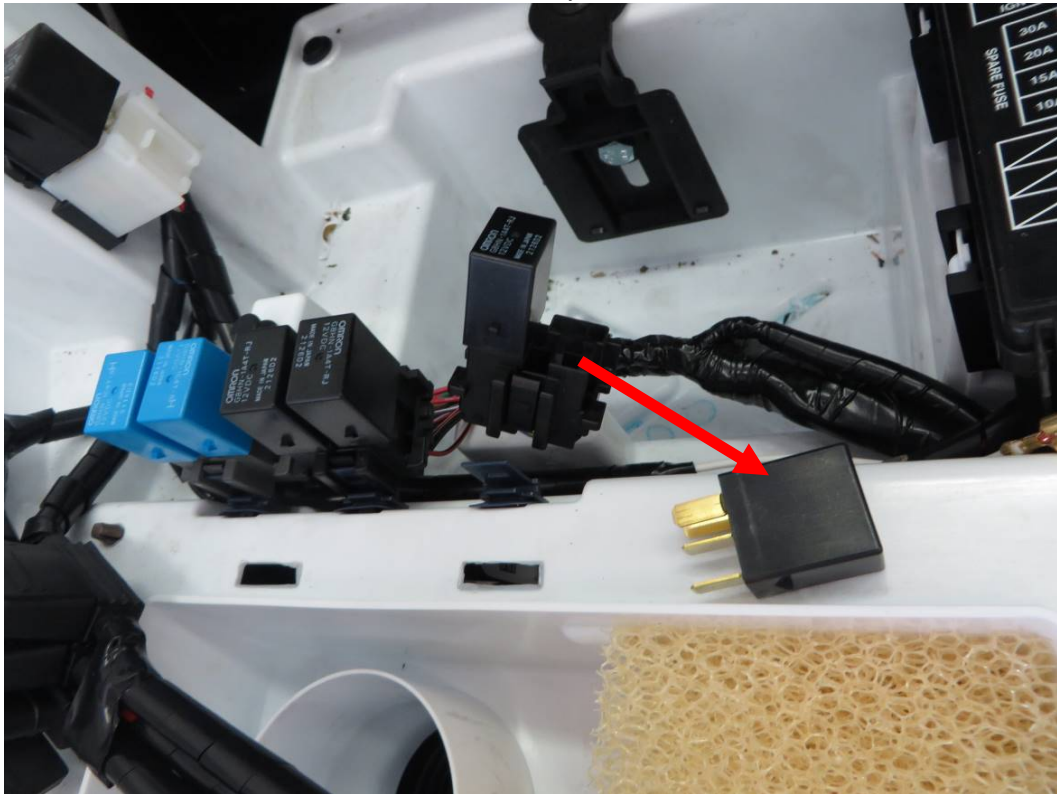
SEE NEXT PAGES



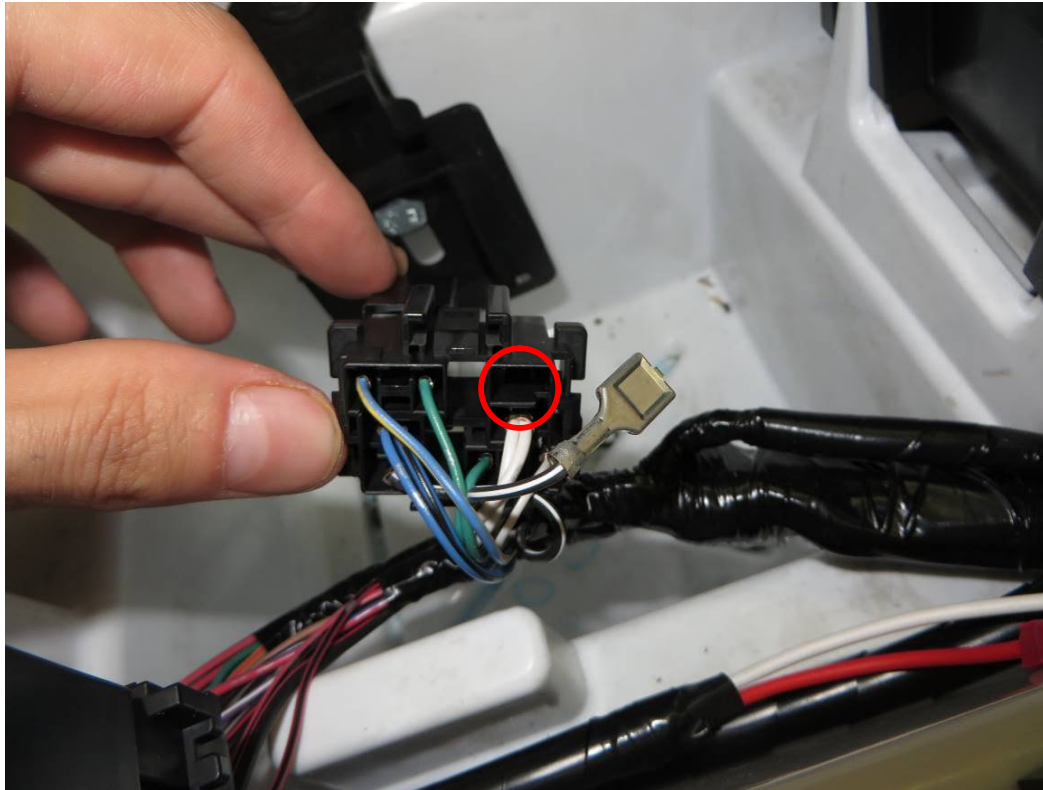
Uninstall the original relay from the connector.



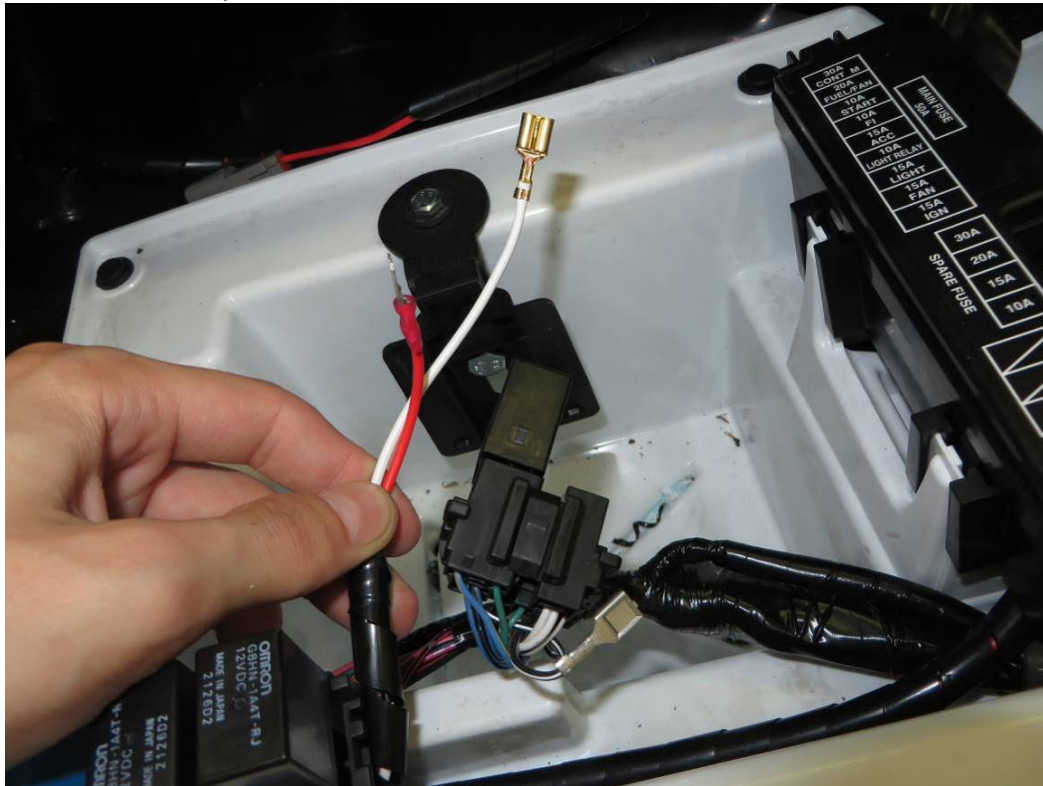
Uninstall the relay connector.



Uninstall the original black/white wire pin from the connector.



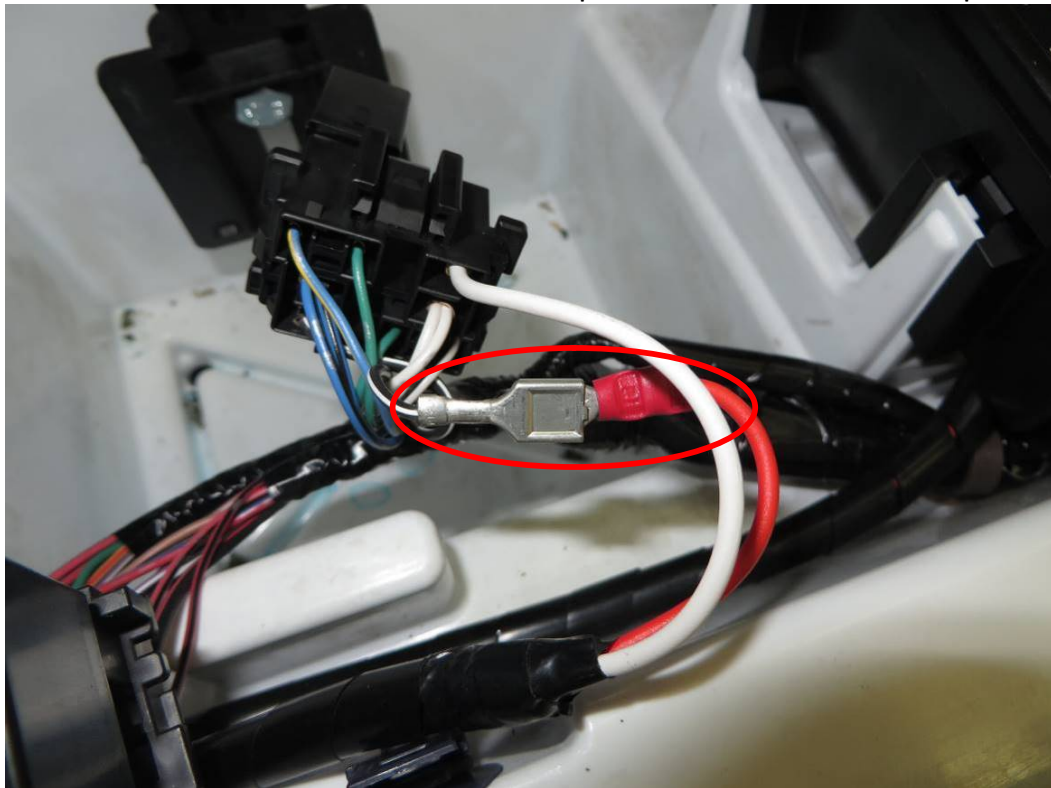
Prepare the white and red wire from the harness.



Install the white wire pin into the connector.



Connect the black/white wire female pin with the red wire male pin.





Install the relay connector back to the original position.



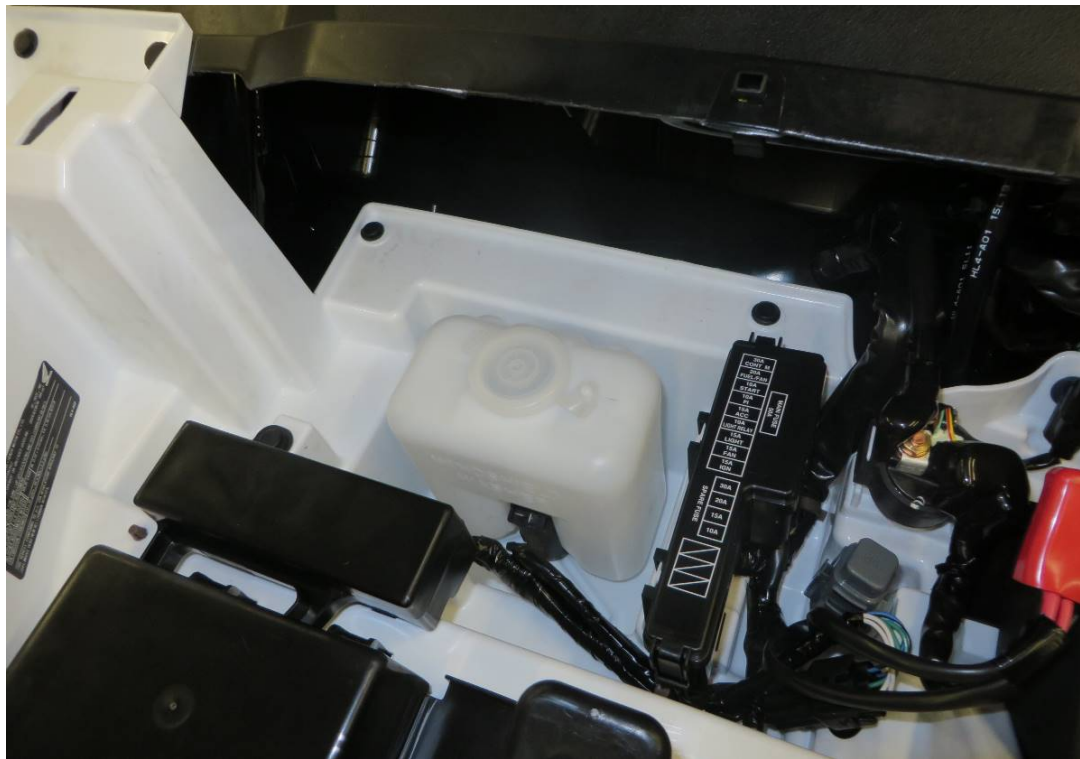
Install the relay back to the original position.



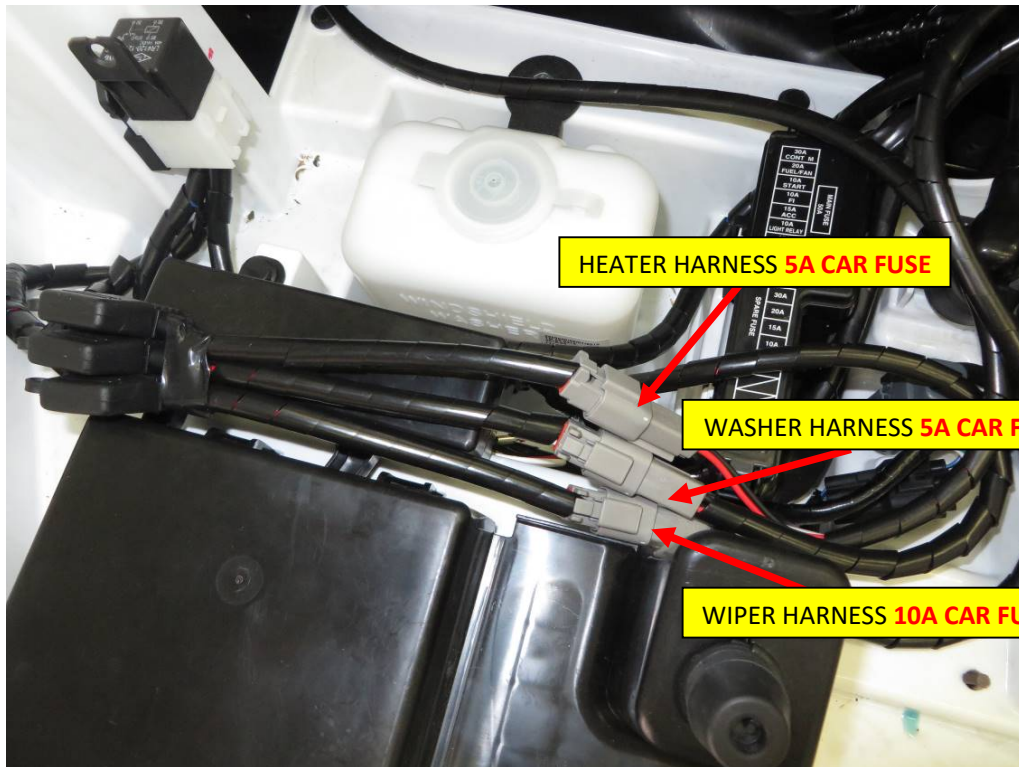
Install the washer tank holder into the under-hood storage space.



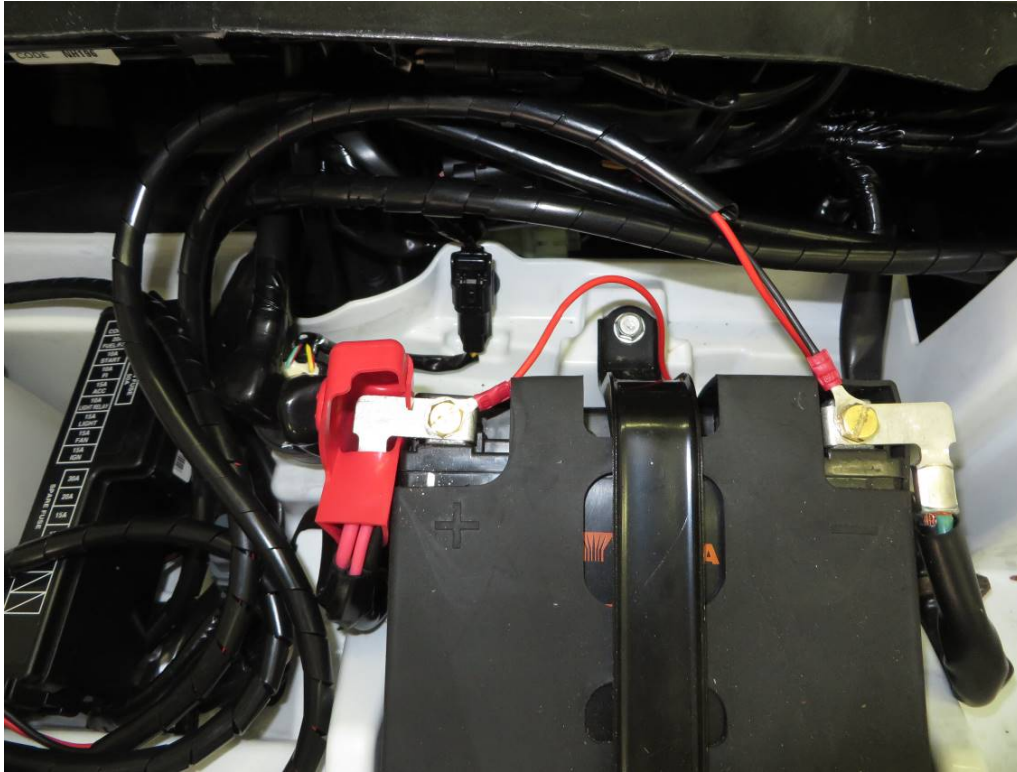
Install the washer tank onto the washer tank holder.



Connect the relay harness connectors with heater, washer and wiper harness connectors.

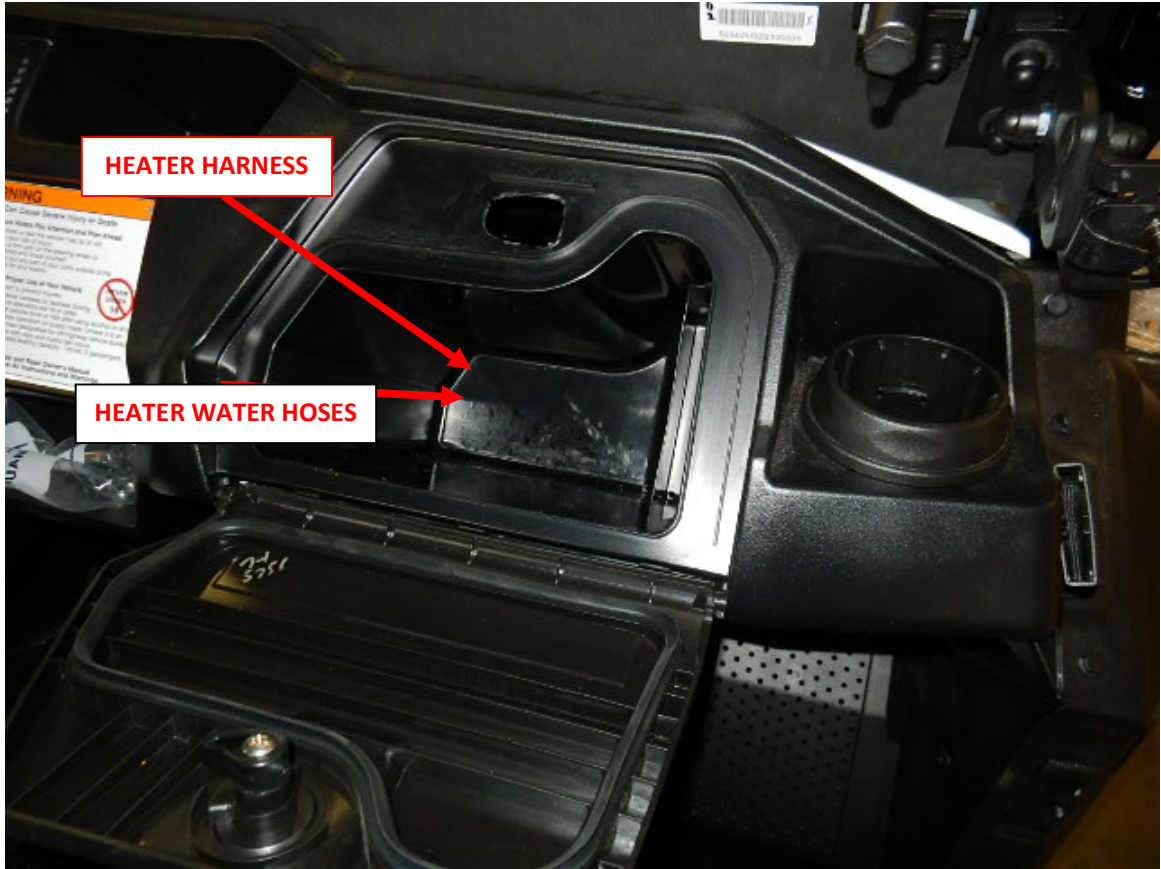


Connect the power harness to the battery. The black wire connect to (-) and the red wire connect to (+)

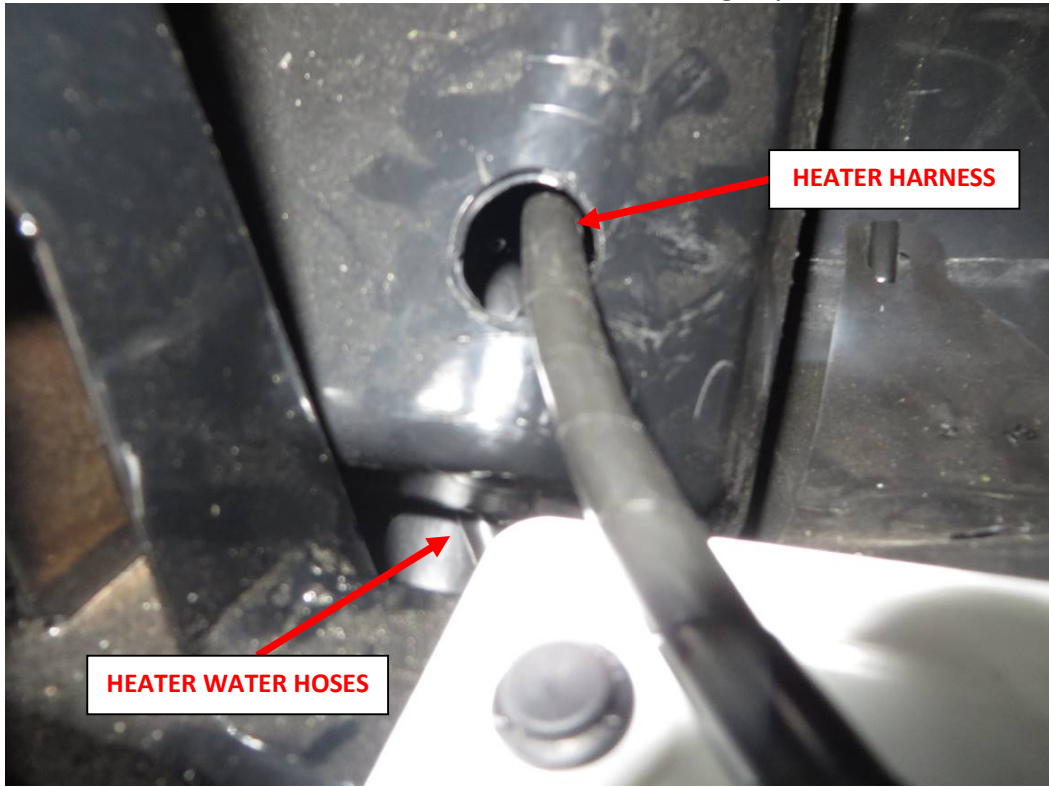


**HEATER INSTALLATION**

Drill holes into the glove box for the heater water hoses and heater harness.  
Uninstall the glove box door.



Drill the hole for water pump harness. Route the water pump harness through the drilled hole to the under-hood storage space.



Uninstall the seats, the floor covers and the central tunnel cover.

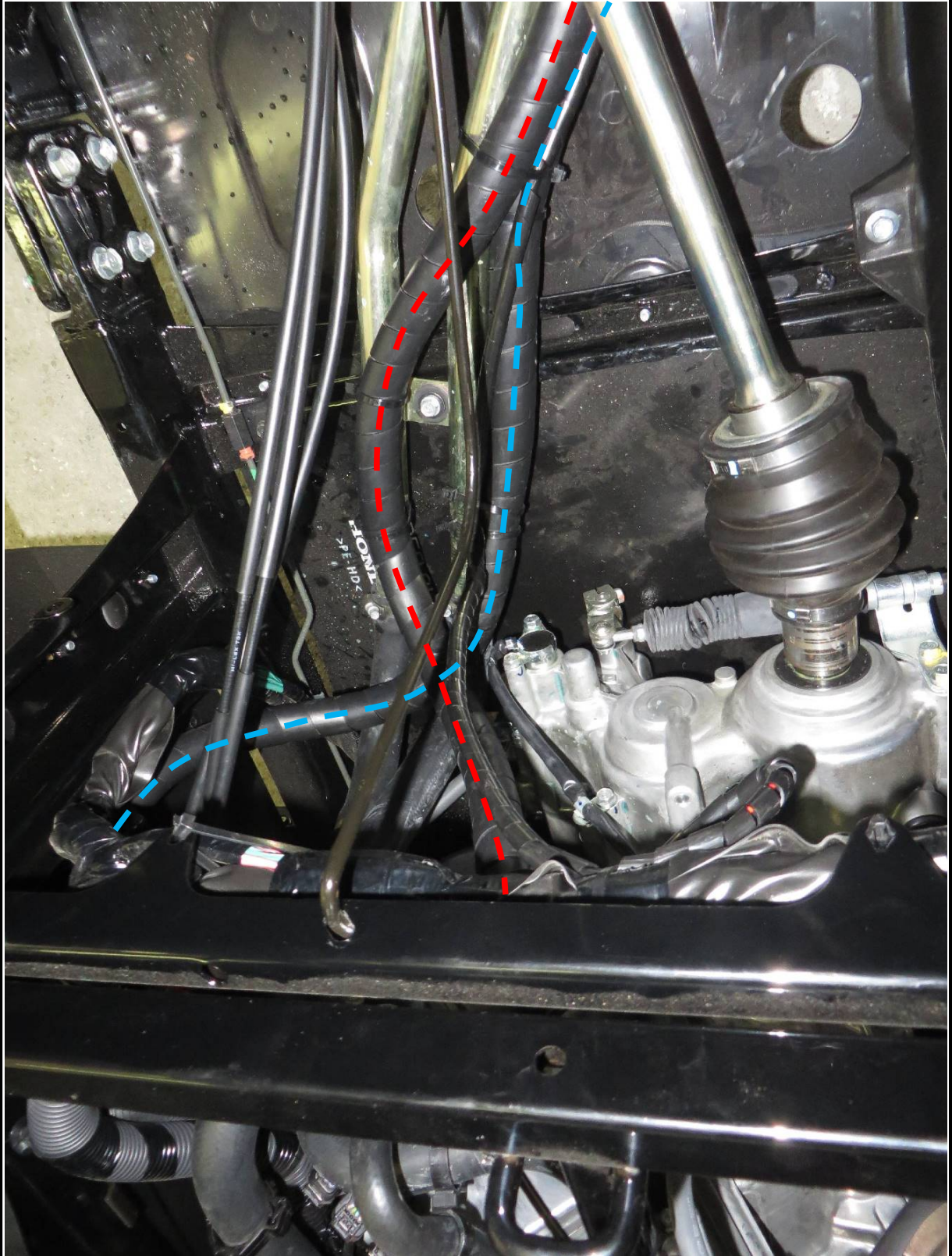


23

Route the heater water hoses under the dashboard to the engine space.

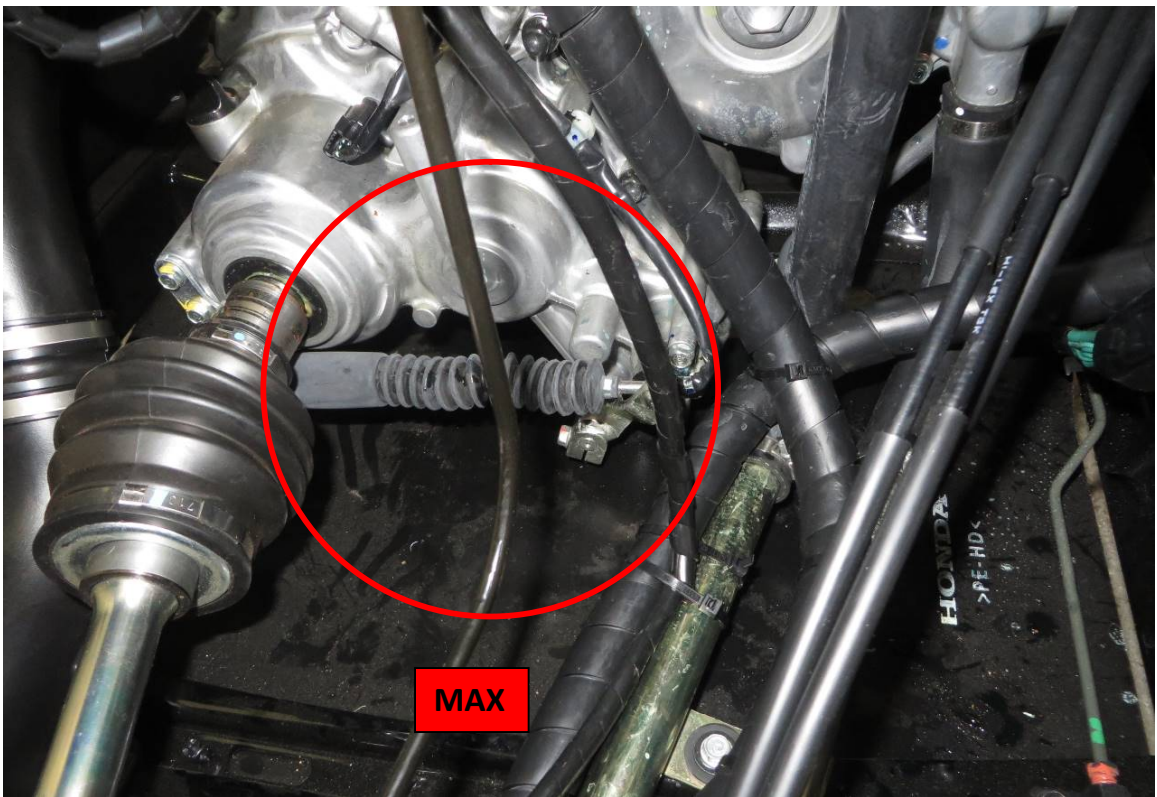
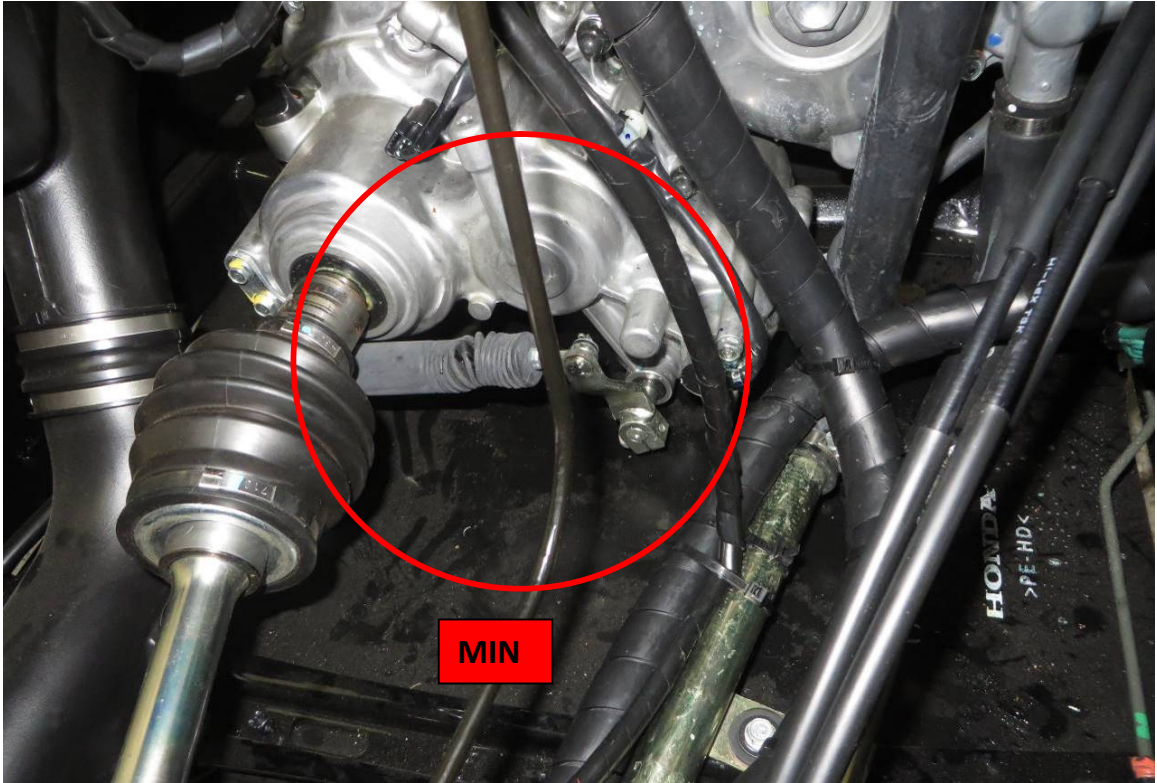




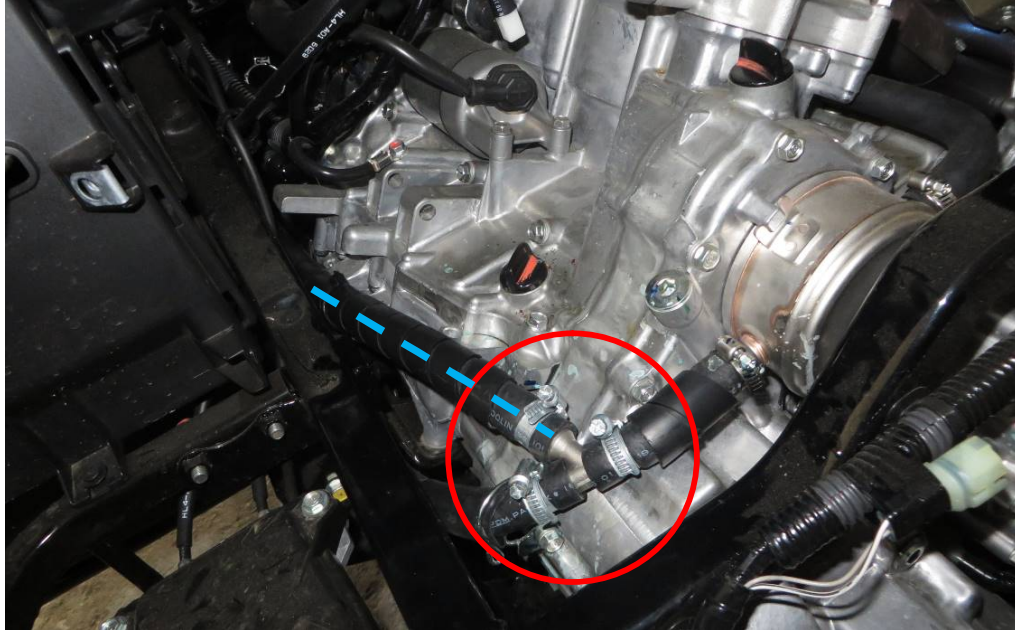


25

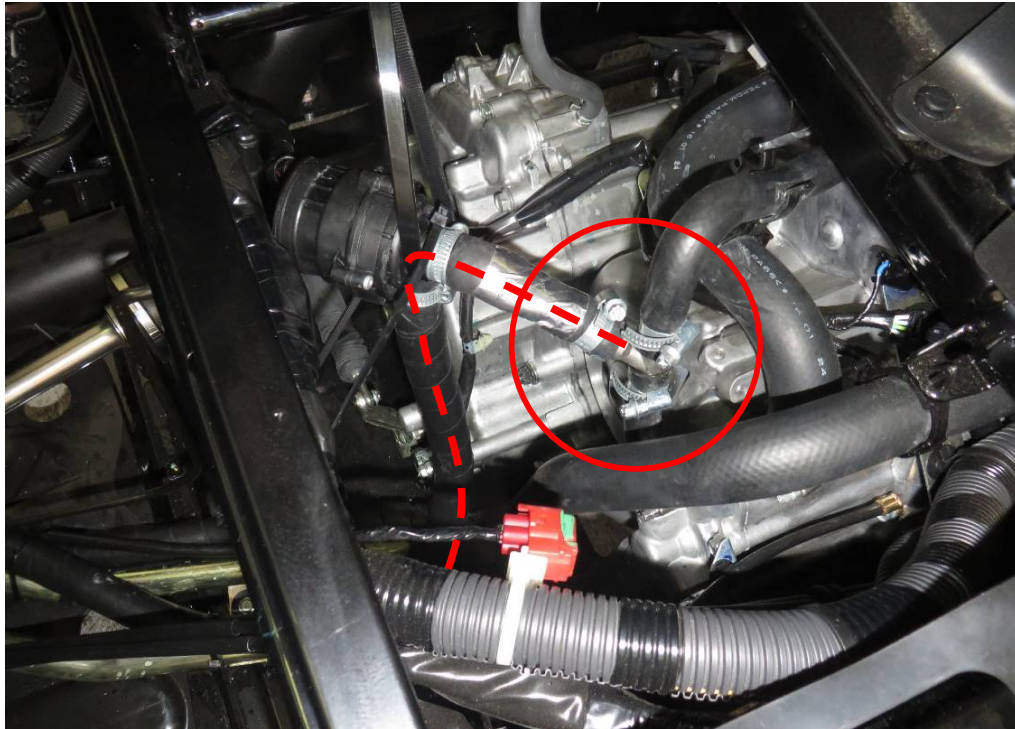
Fix the heater water hoses and the water pump harness branch in accordance with the shifting rod in both limiting positions (min and max).



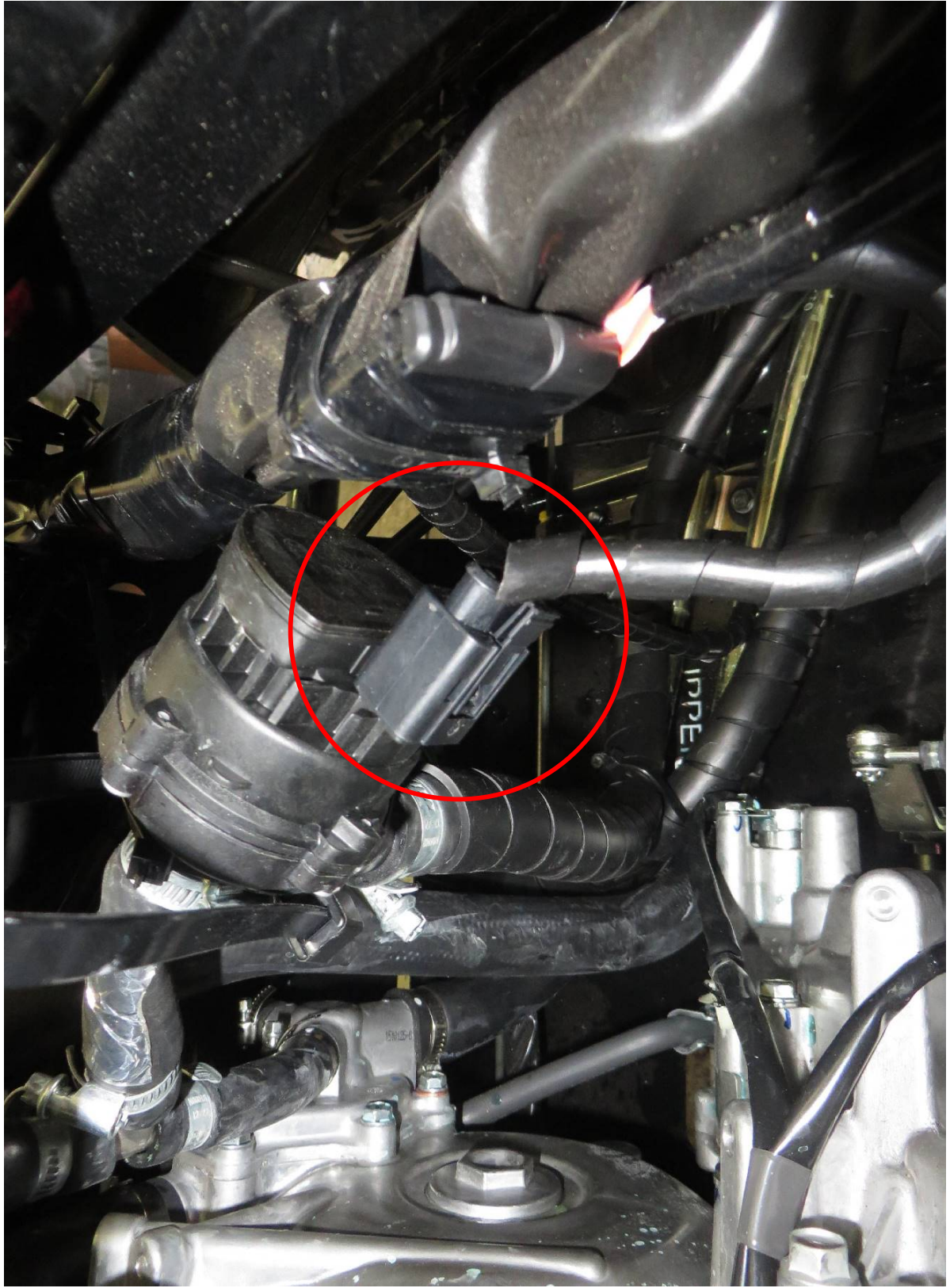
Route the heater water hose through the central tunnel to the engine space. Secure the original cooling system hose with clamps and cut the hoses between the clamps. Install the "Y" coupling into the hose and fix with tightening straps. Install the heater hose onto the coupling and fix with tightening strap. Tighten hard.



Secure the original cooling system hose with clamps and cut the hoses between the clamps. Install the "Y" coupling into the hose and fix with tightening straps. Install the heater hose onto the coupling and fix with tightening strap. Tighten hard.

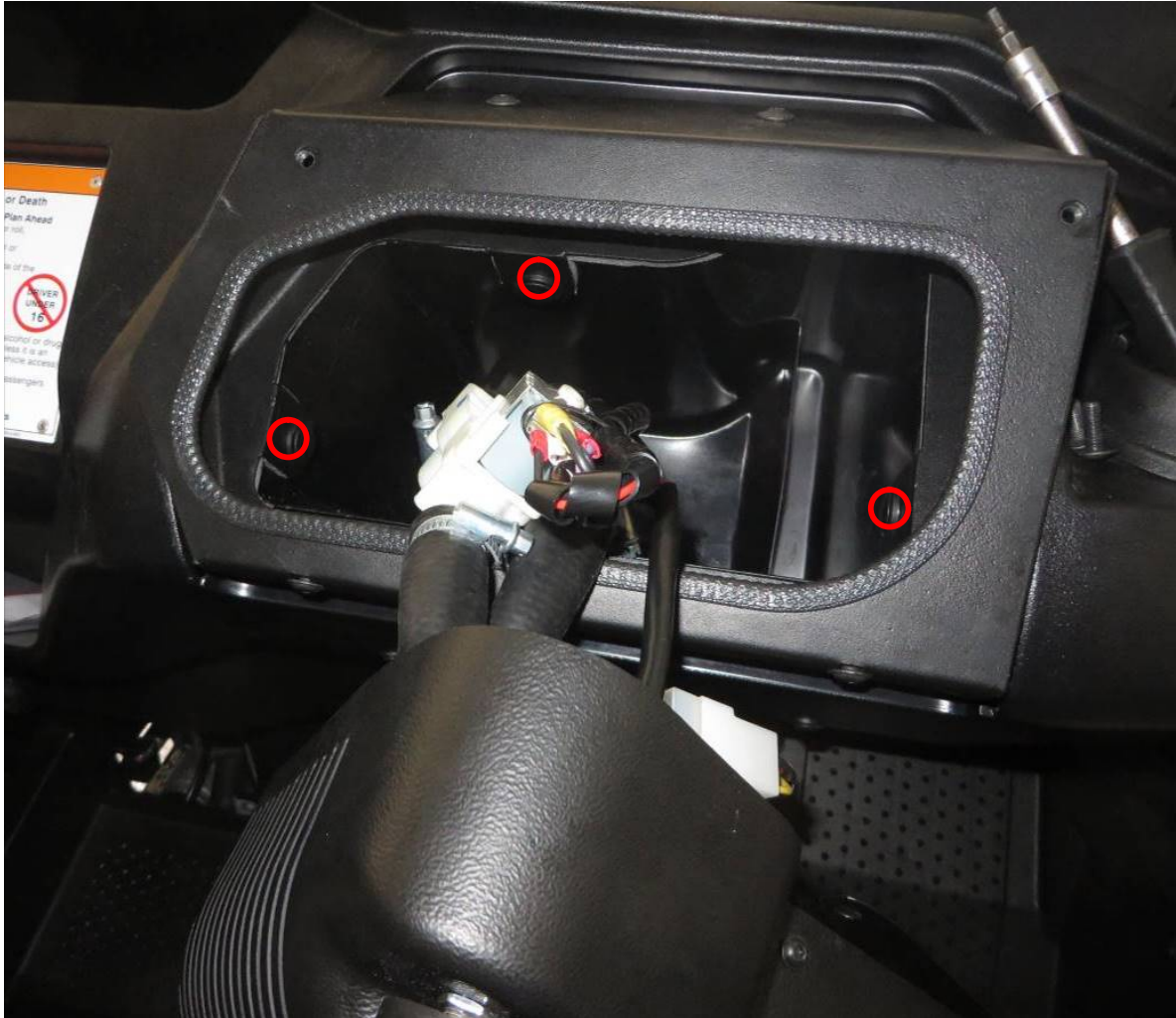


Connect the water pump harness with the water pump.



28

Install the heater holder into the glove box. Fix the heater holder with included fixing assemblies.



Install the water hoses and fix it with the tightening straps. Tighten hard.



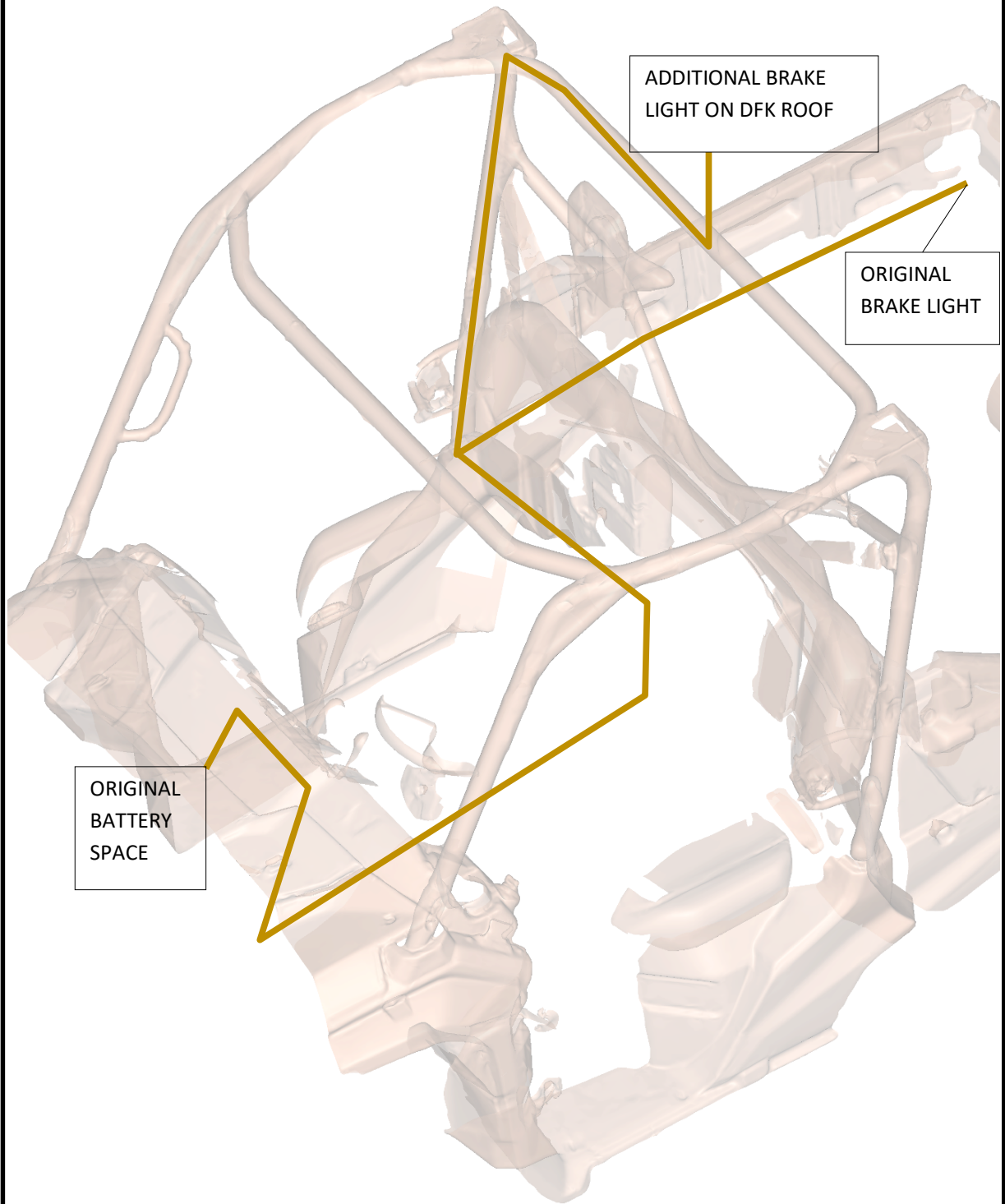
Connect the heater harness female pins with the el. valve male pins.



Mount the heater onto the prepared heater holder with included fixing assemblies.  
Fixing points (red circles) for the heater.



BRAKE LIGHT HARNESS DIAGRAM



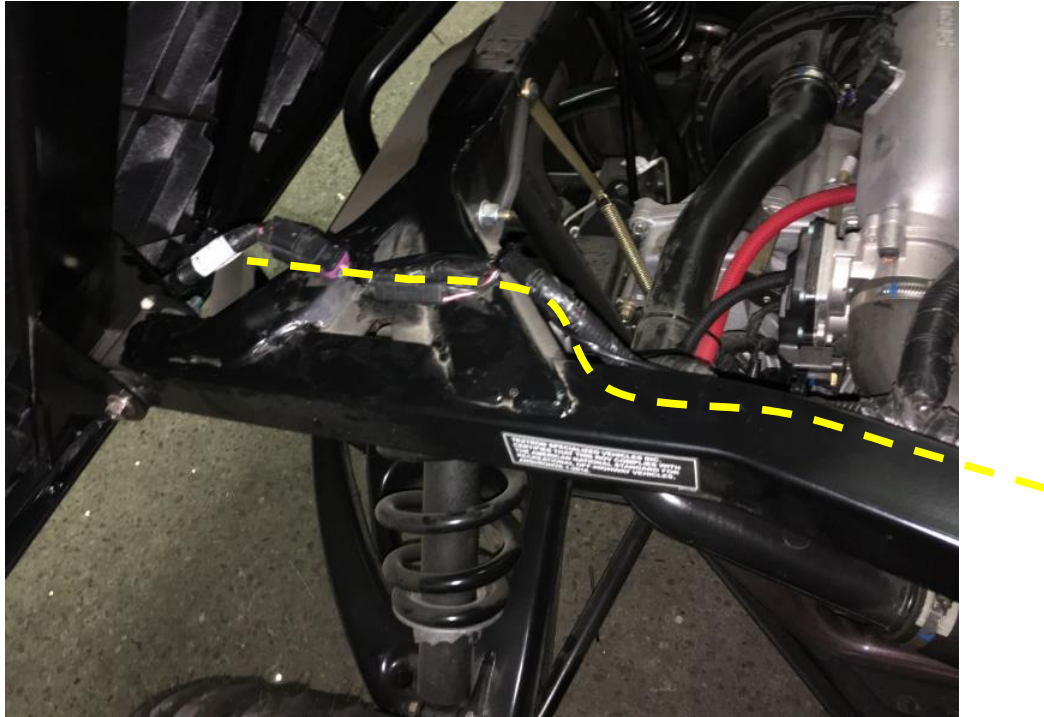
32

SEE NEXT PAGES



**ATTENTION: NEXT PICTURES ARE FROM DIFFERENT VEHICLE**

Run the brake light harness from the battery space to the right original brake light.



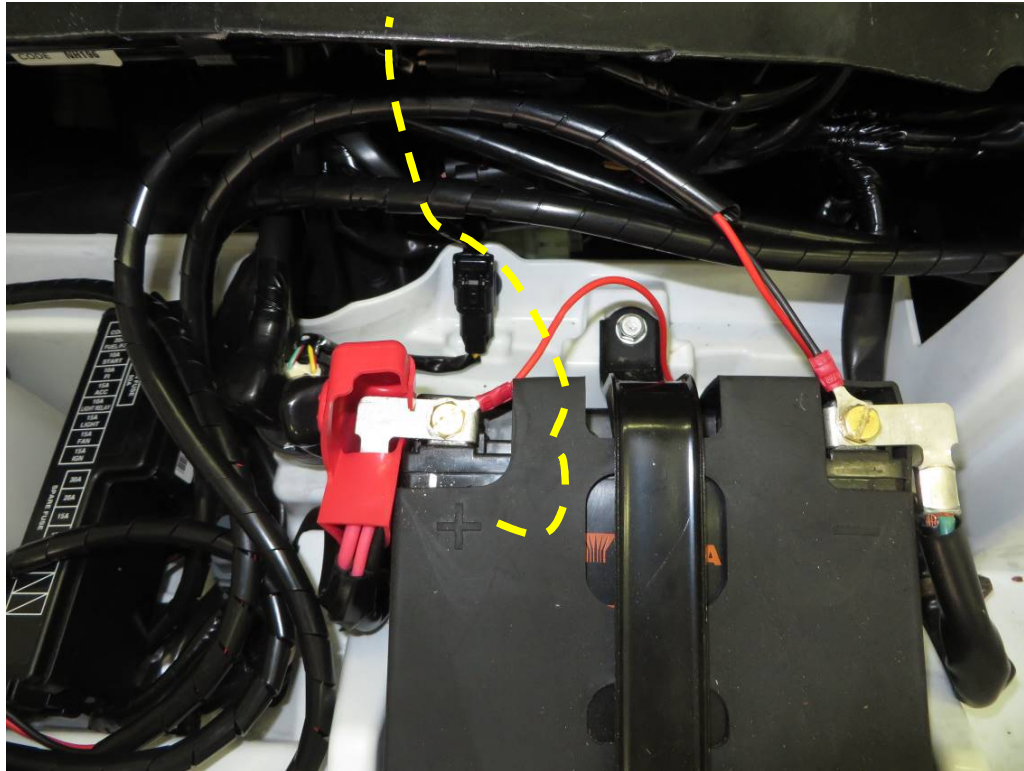
Open the original brake light harness (after the original connection) and find the original brake light control wire. Connect the brake light harness with the original brake light control wire by included connector. SEE NEXT PAGE



DETAIL VIEW OF THE CONNECTION



Connect the brake light harness black wire with the vehicle battery -12V.



Install the seats, the floor covers and the central tunnel cover back to the original position.

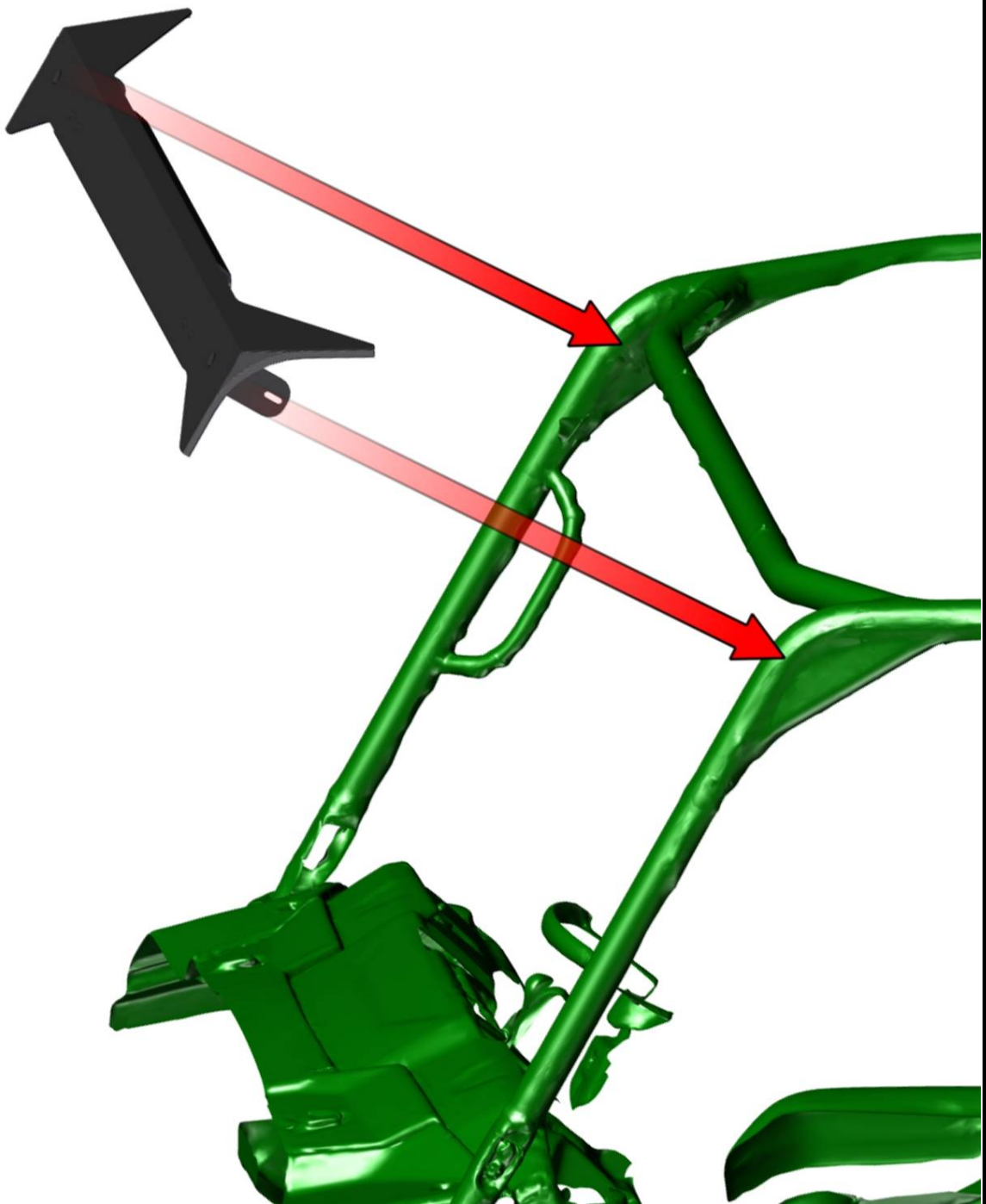


35

SEE NEXT PAGES

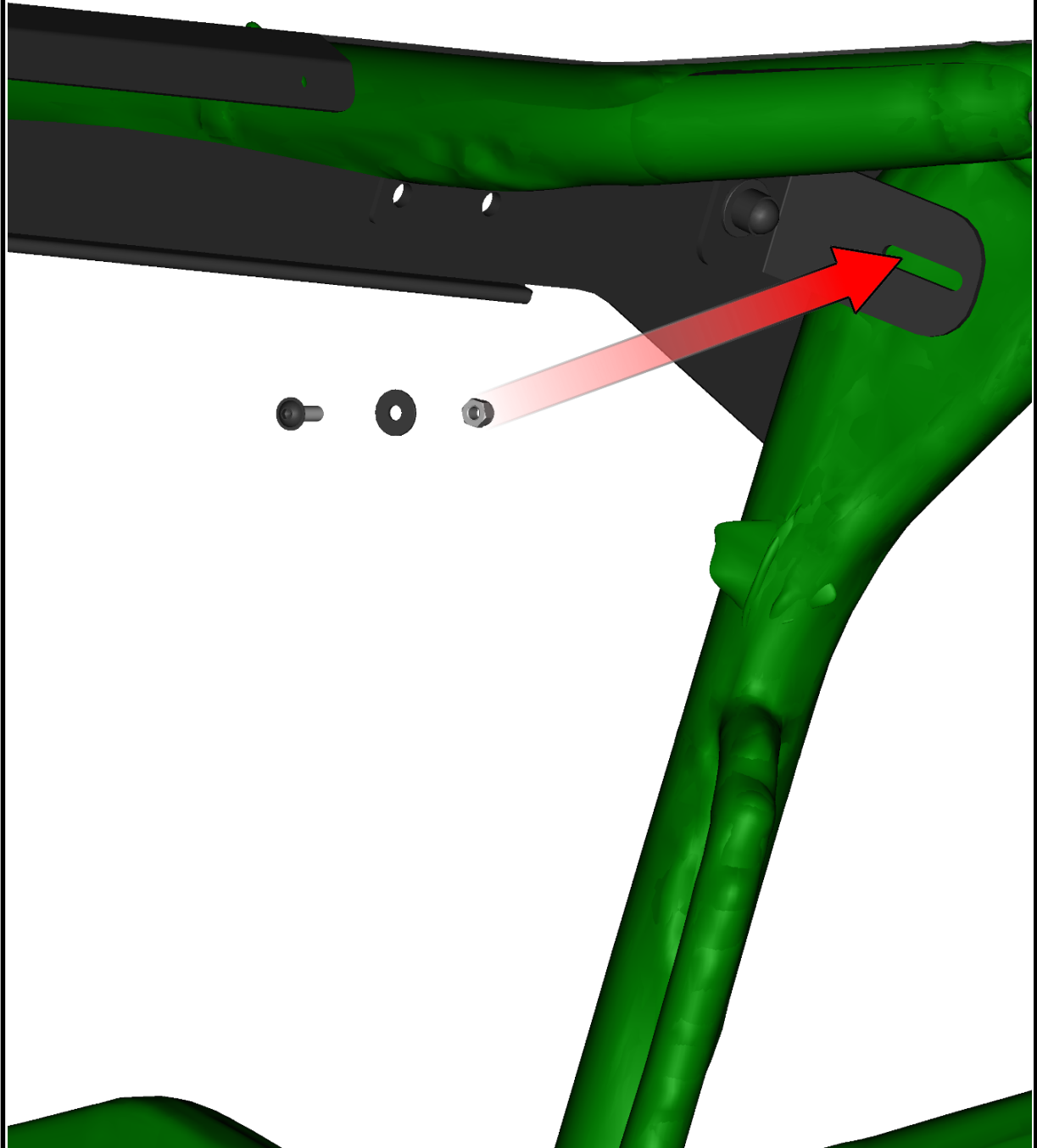
**FRONT PANEL**

Place the front upper ledge assembly onto UTV roll cage.



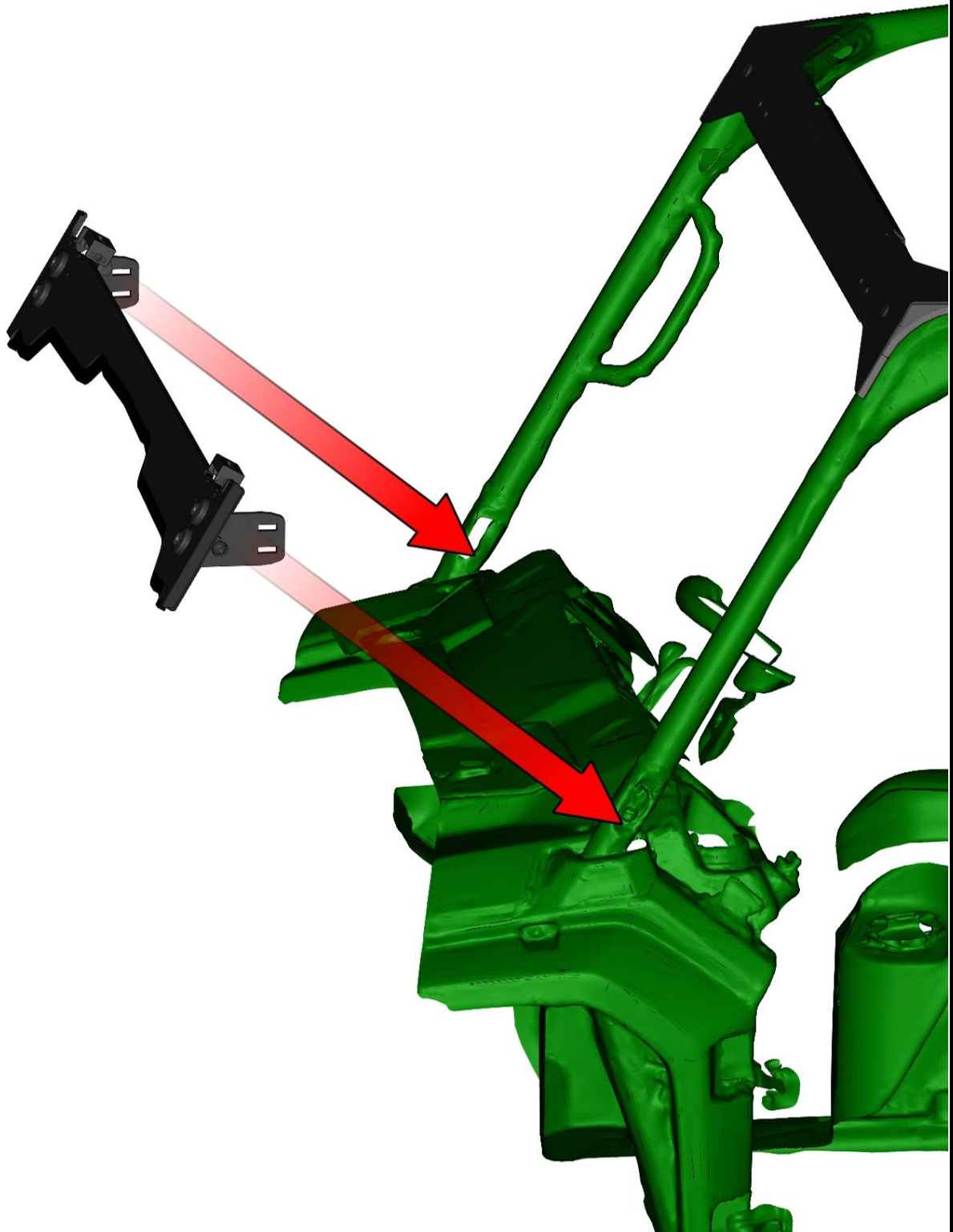
37

Fix the front upper ledge with the UTV roll cage with bolts, washers, nuts on both sides.



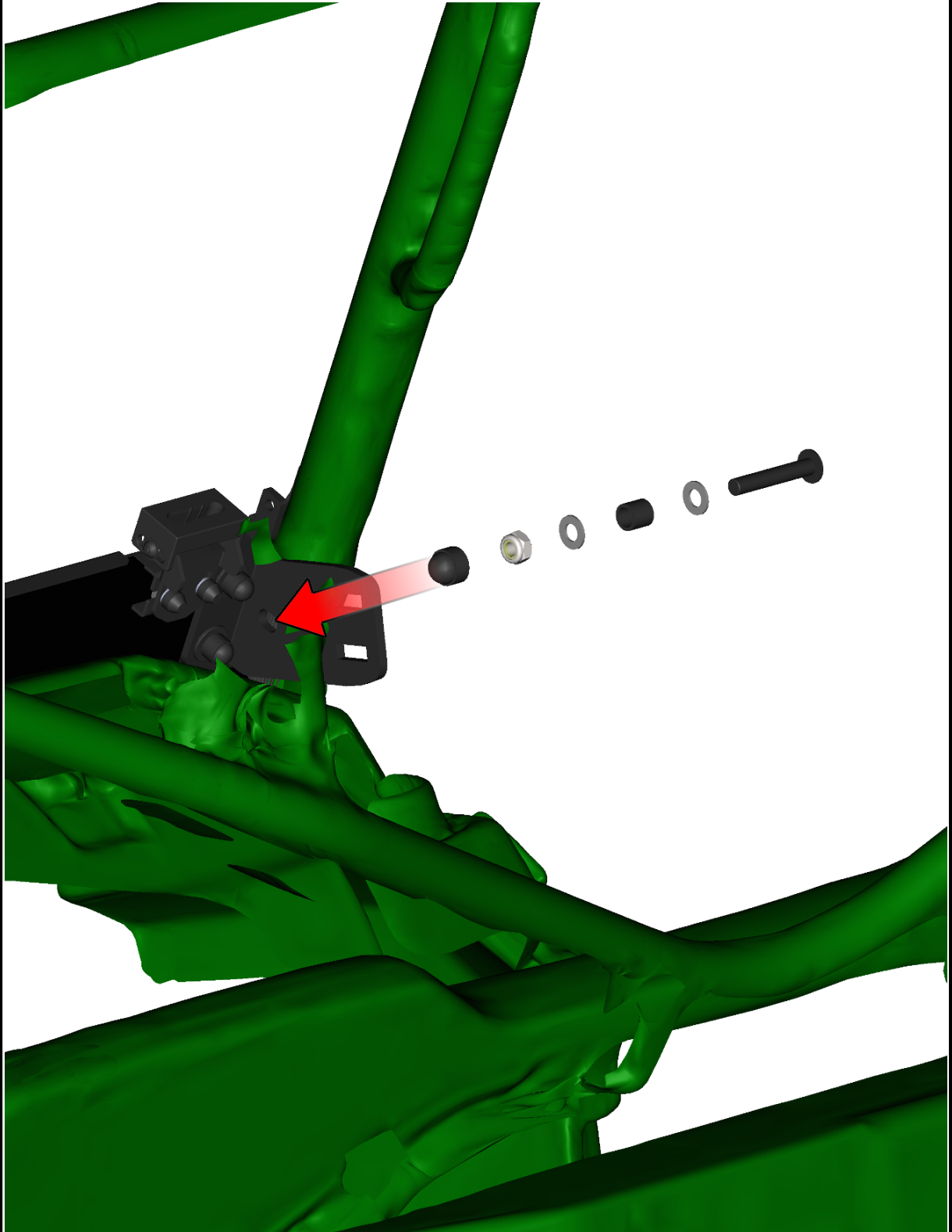
38

Place the front bottom ledge assembly onto the UTV roll cage and onto the dashboard.



39

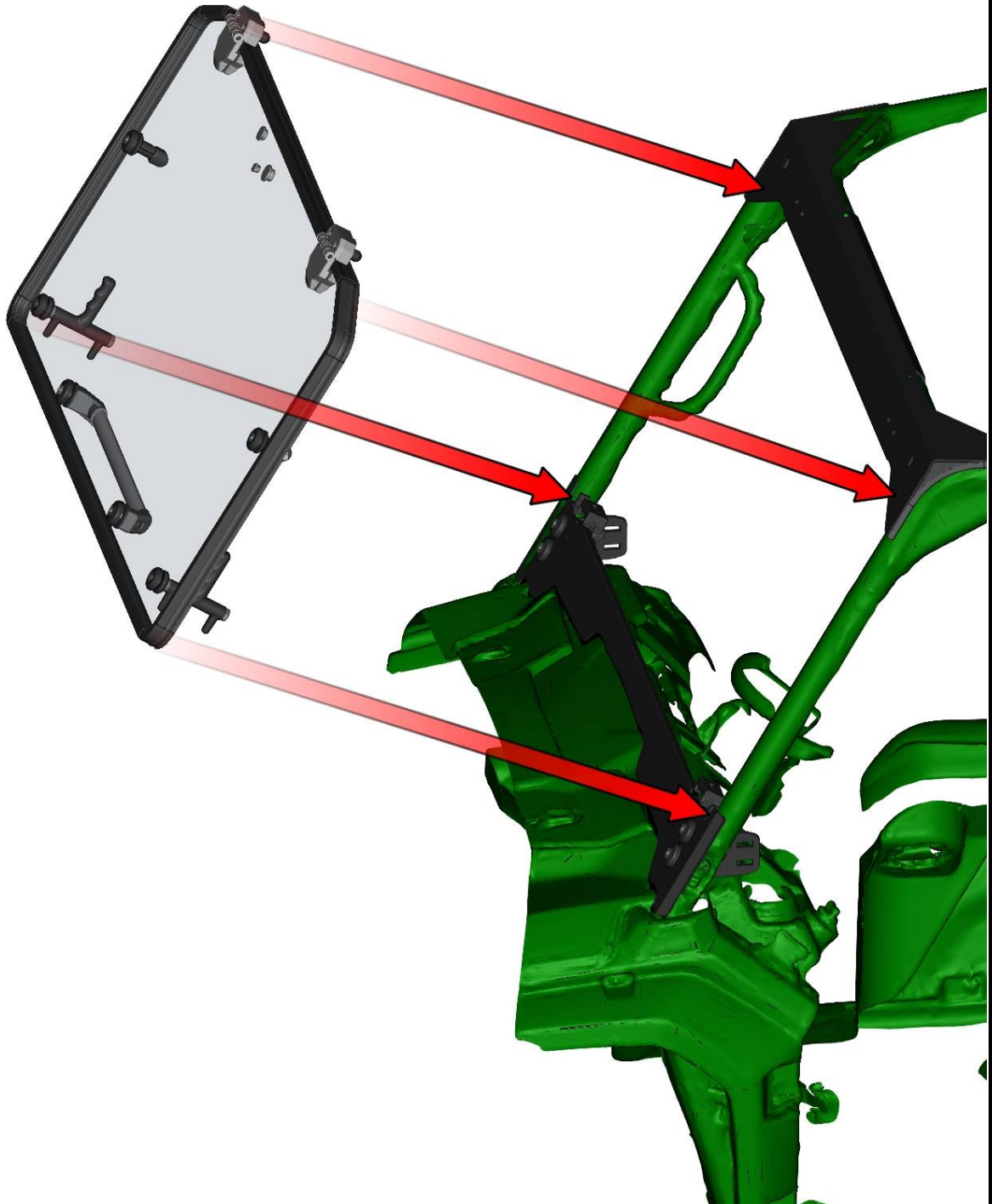
Fix the front bottom ledge assembly with UTV roll cage with bolts, tube spacers washers, nuts and covers on both sides.



40

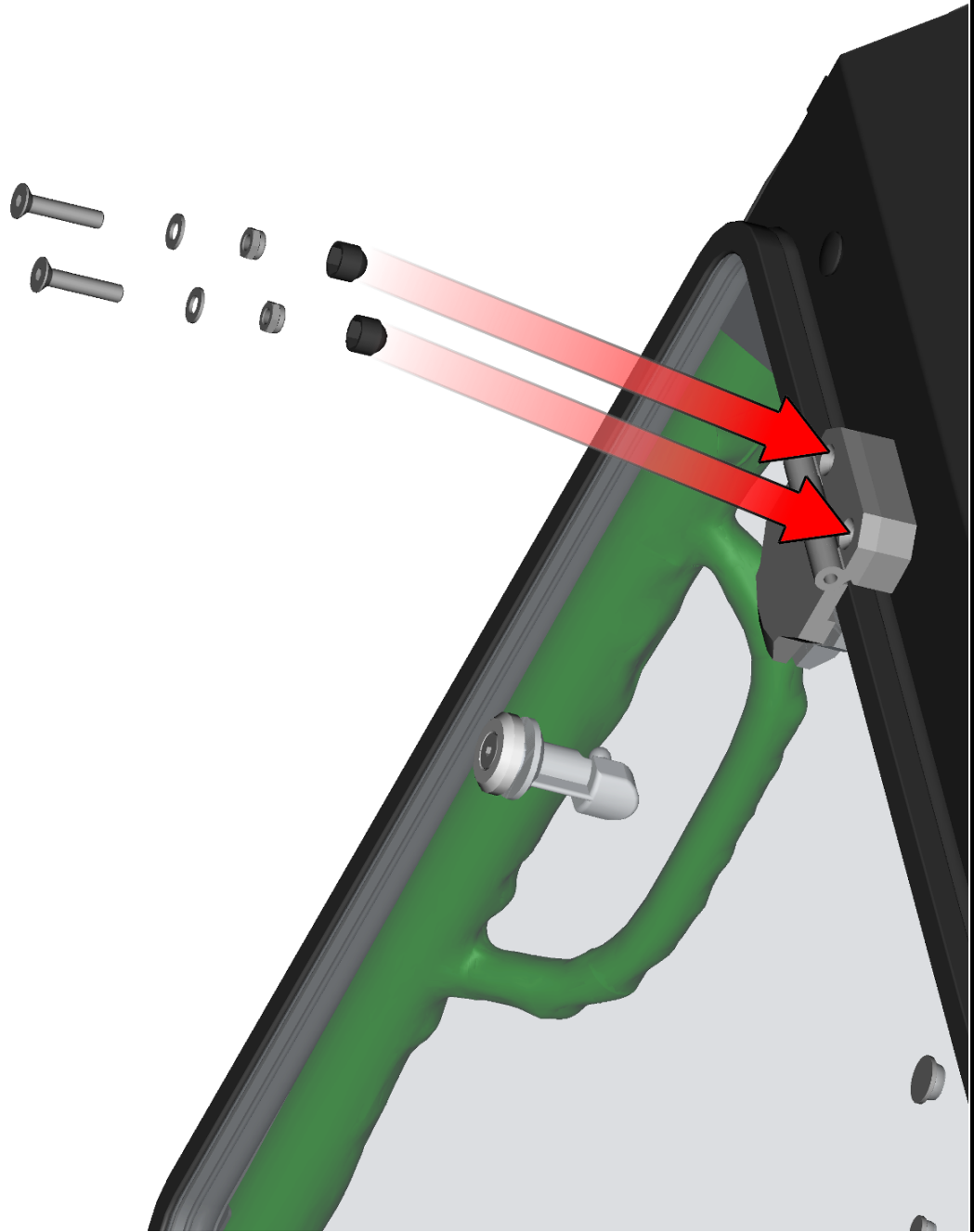


Place the front window assembly onto the front upper ledge.



41

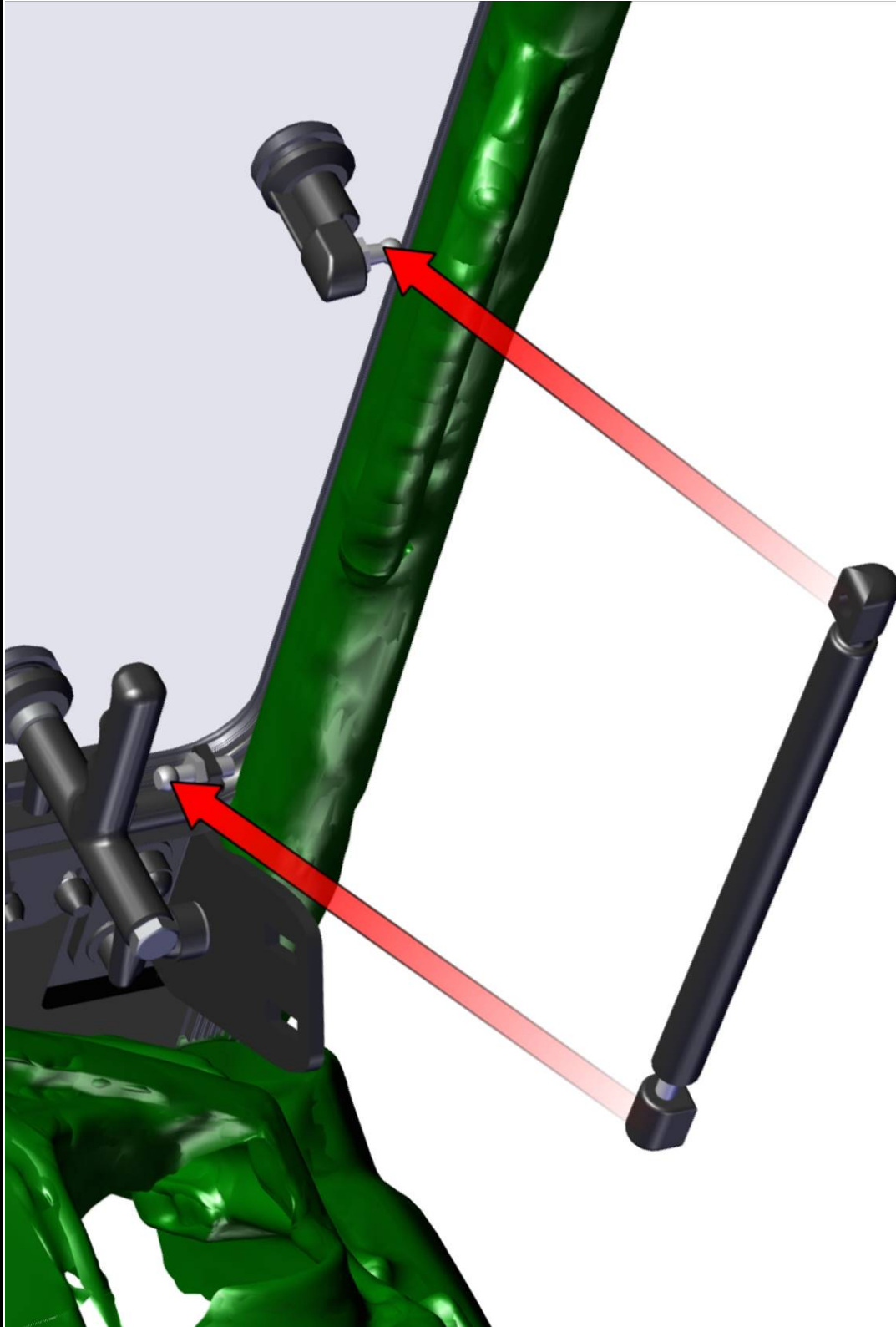
Fix the hinges with the front upper ledge with bolts, washers, nuts and covers.



42

Install the gas springs into the gas spring holders on both sides.

It is necessary to install the gas spring in the same orientation like on picture below.

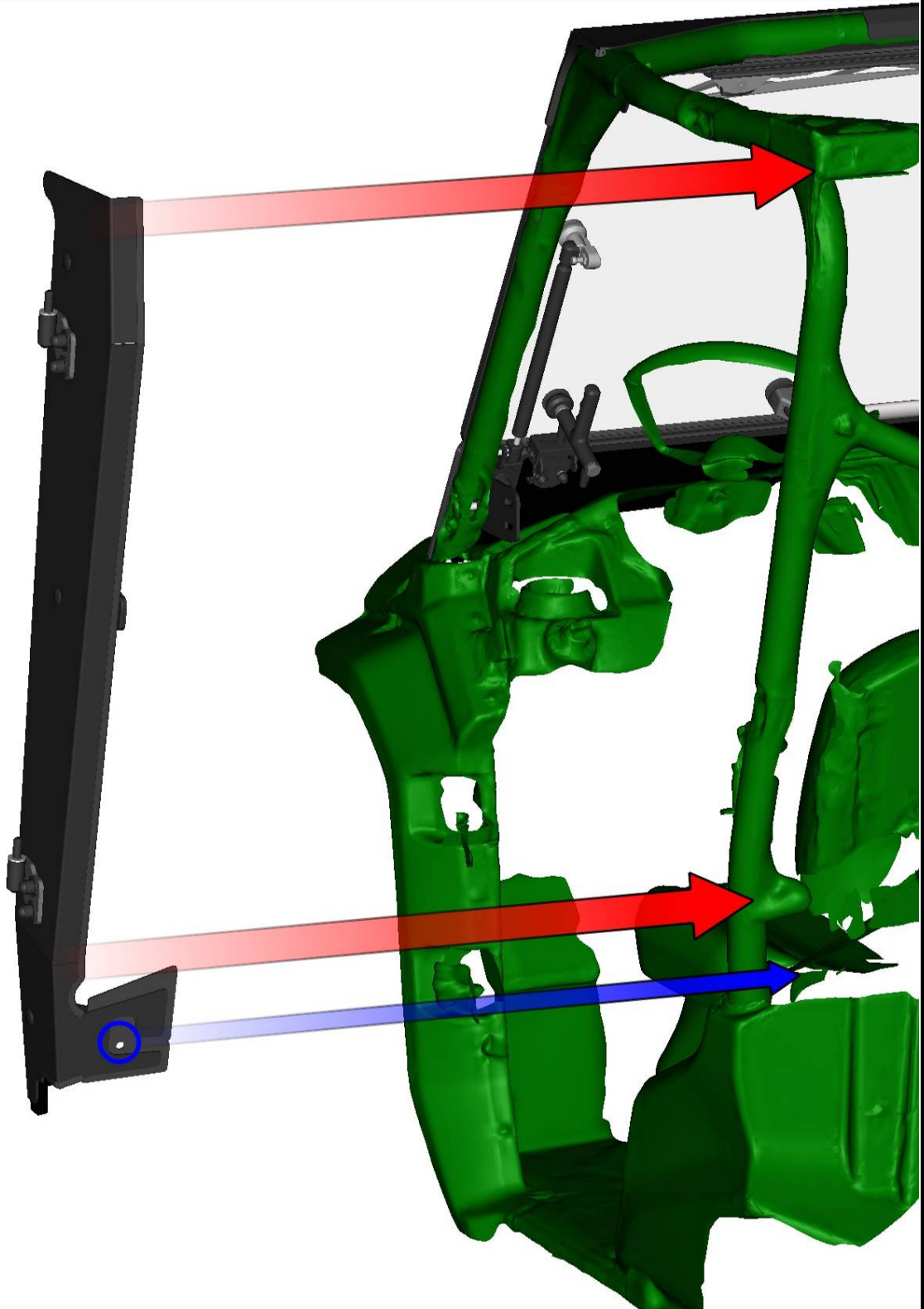


**LEFT DOOR BASE + RIGHT DOOR BASE**

Loosen the left door base bottom and middle holders nuts (red circles).  
Uninstall the upper left door base holder (red arrow).

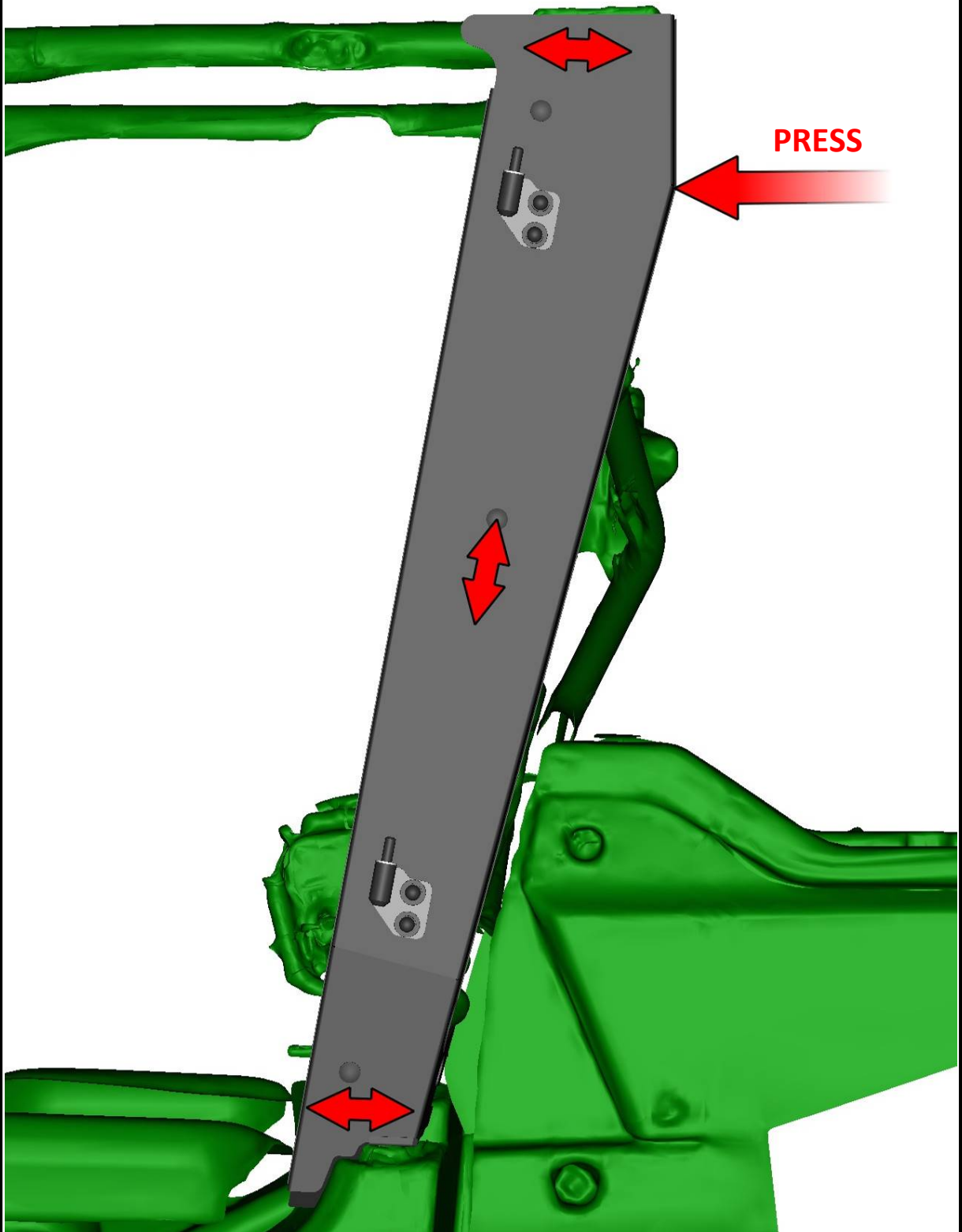


Place the left door base onto UTV roll cage (red arrows). The hole (blue circle) is for the lever opening cargo bed.

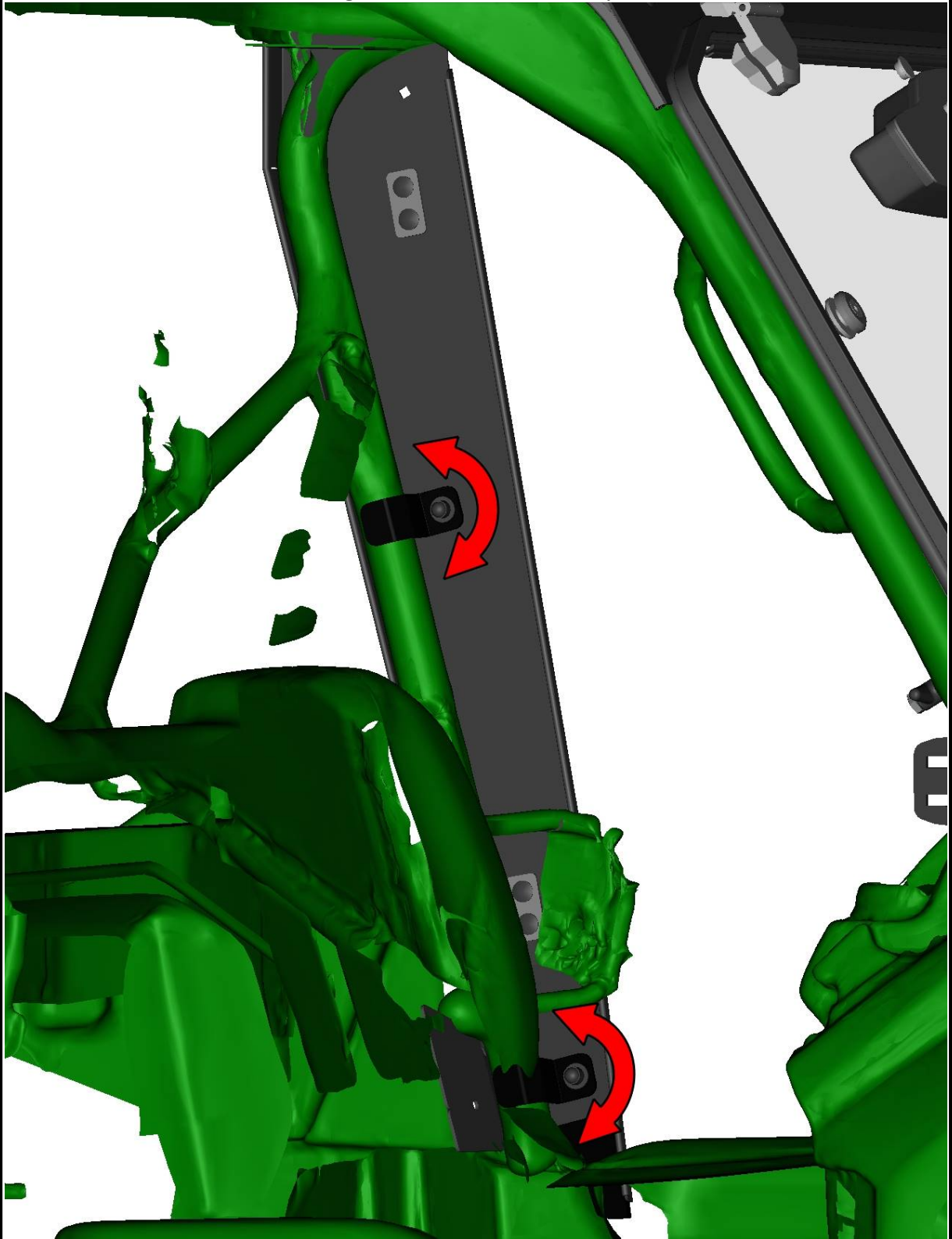


45

Adjust the left door base to the best position. Press the left door base against the roll cage.



Turn the left door base bottom and middle holder to the correct position and tighten the bolts correctly.

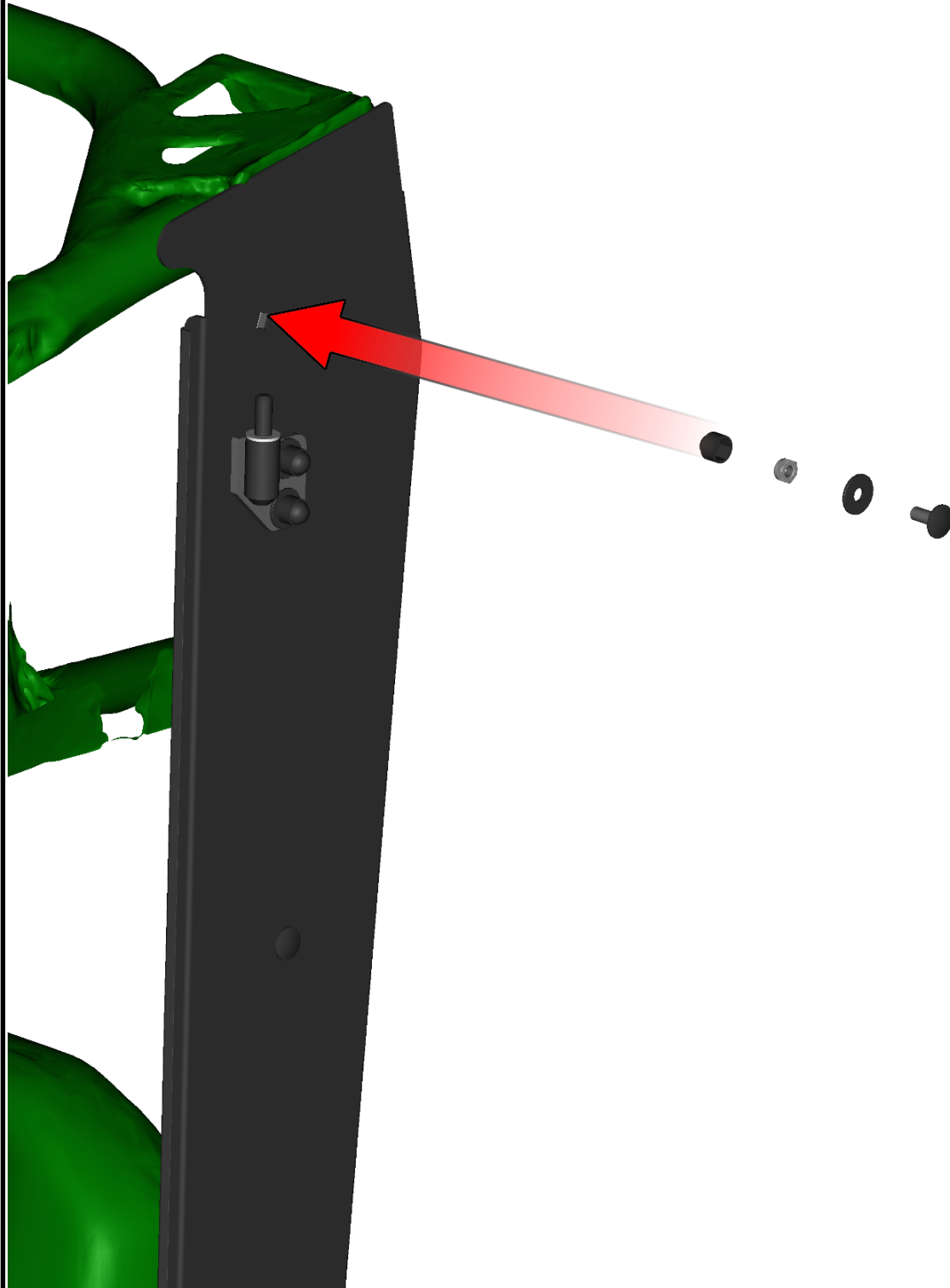


Place the left door base upper holder onto the left door base.





Fix the left door base upper holder with included fixing assembly.

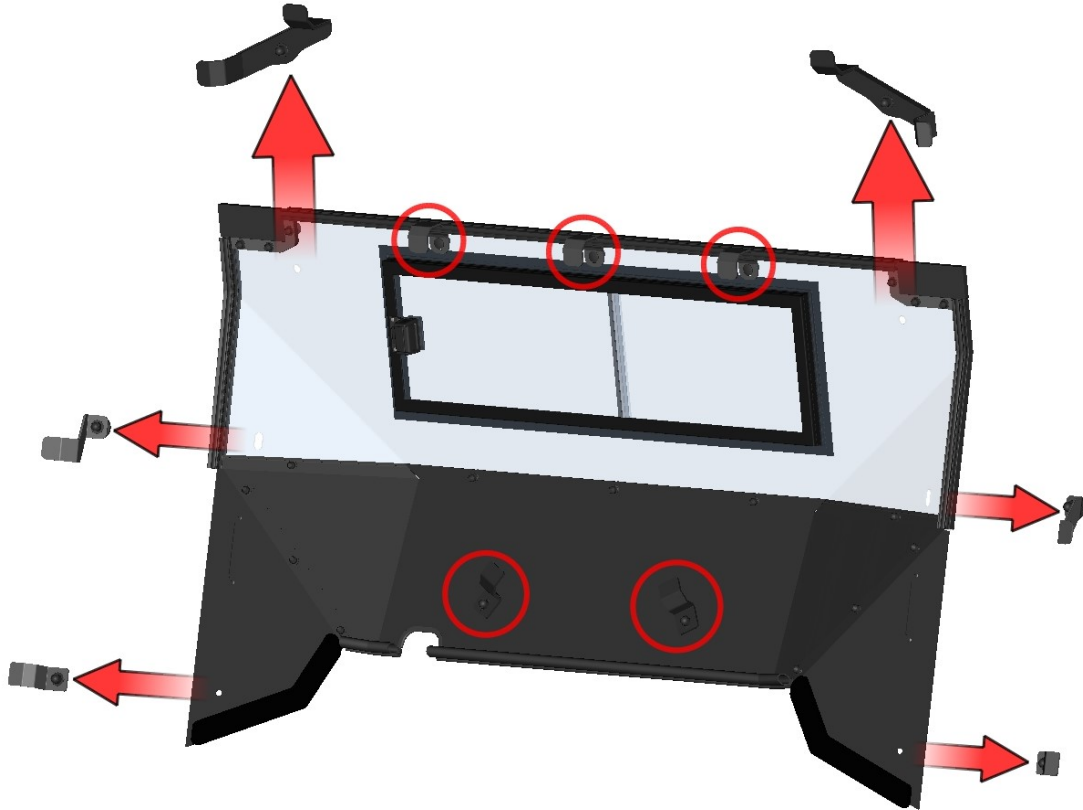


Repeat previous steps with the right door base assembly.



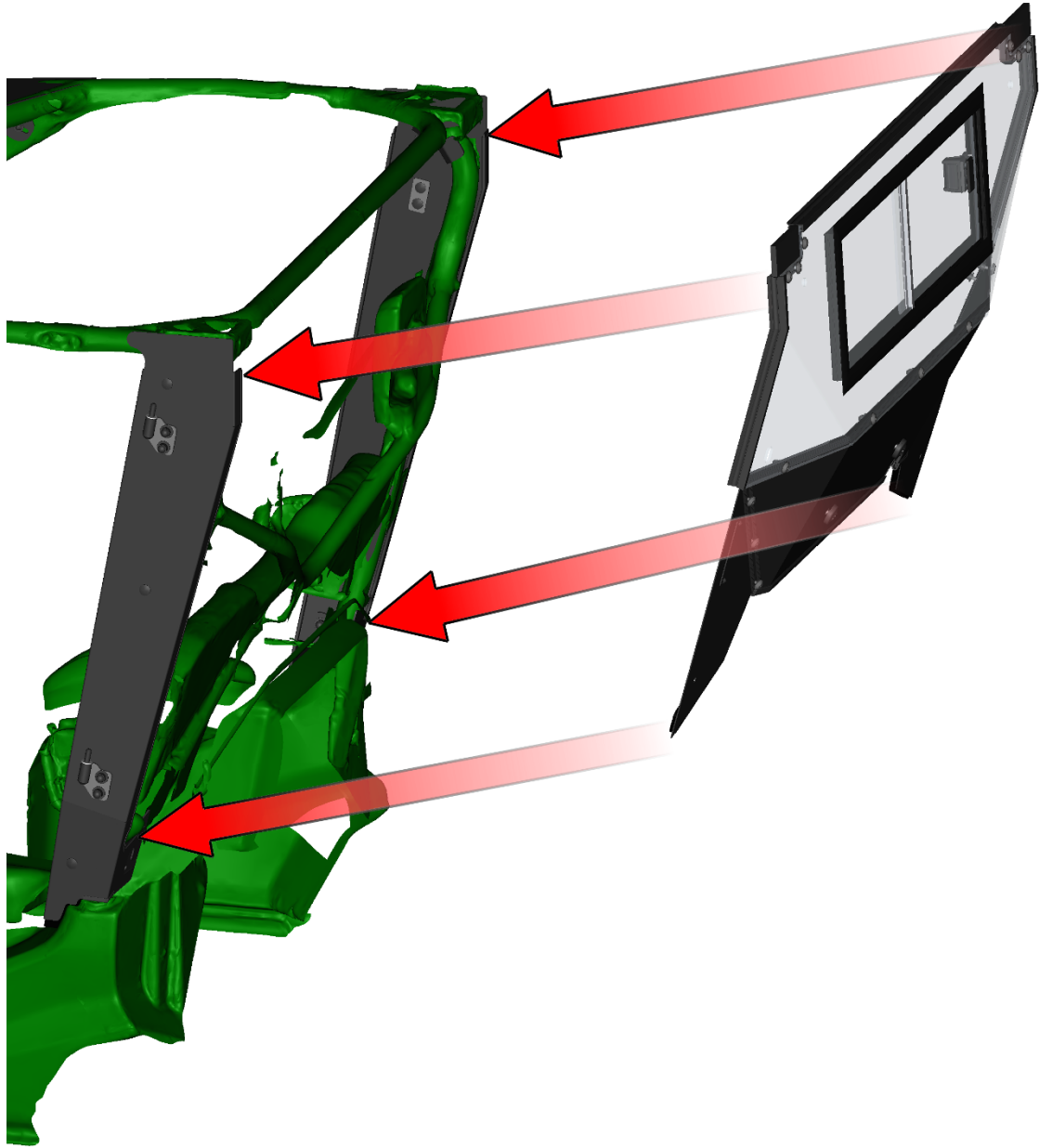
50

Loosen the center rear panel holders nuts (red circles) and uninstall the upper and side rear panel holders (red arrows).

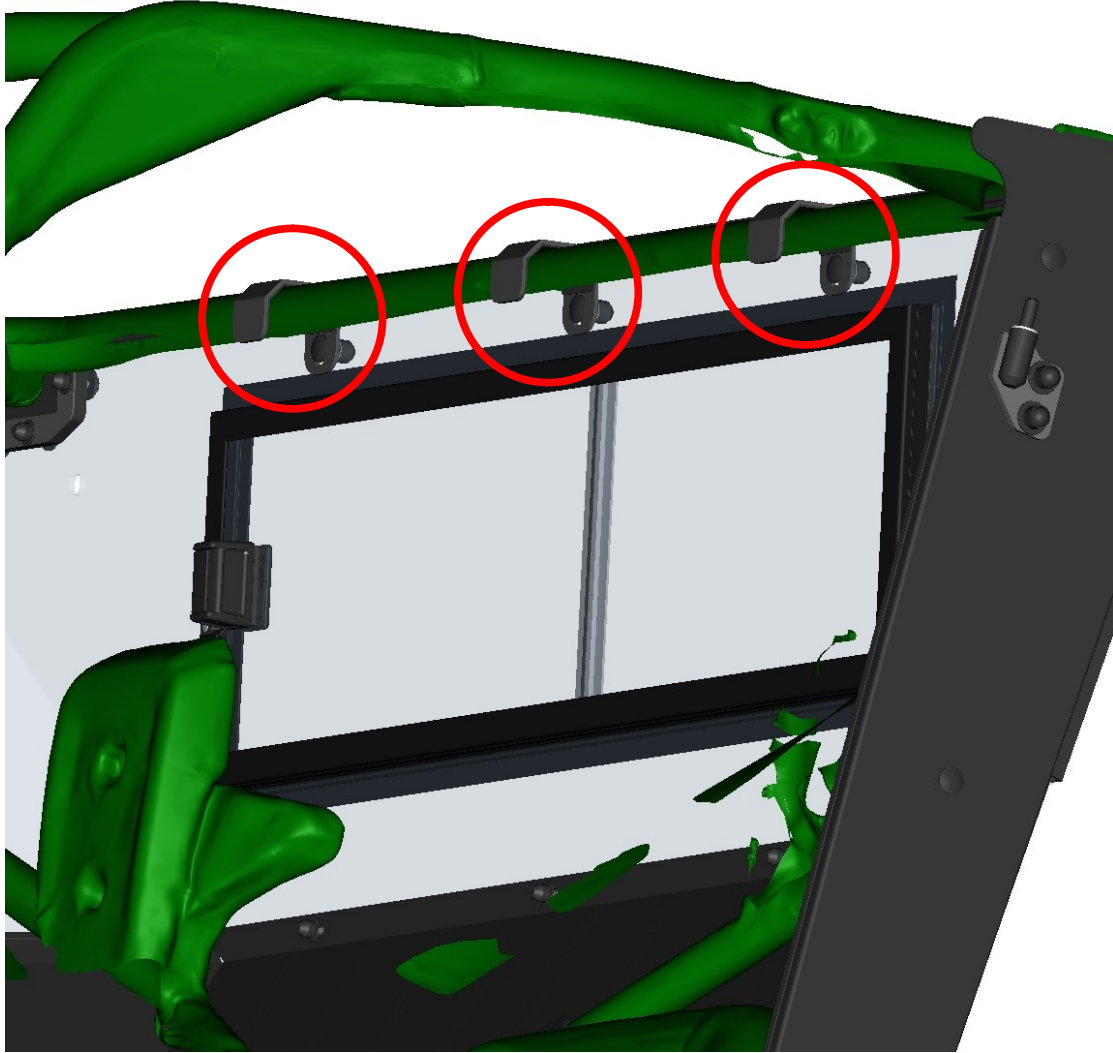


51

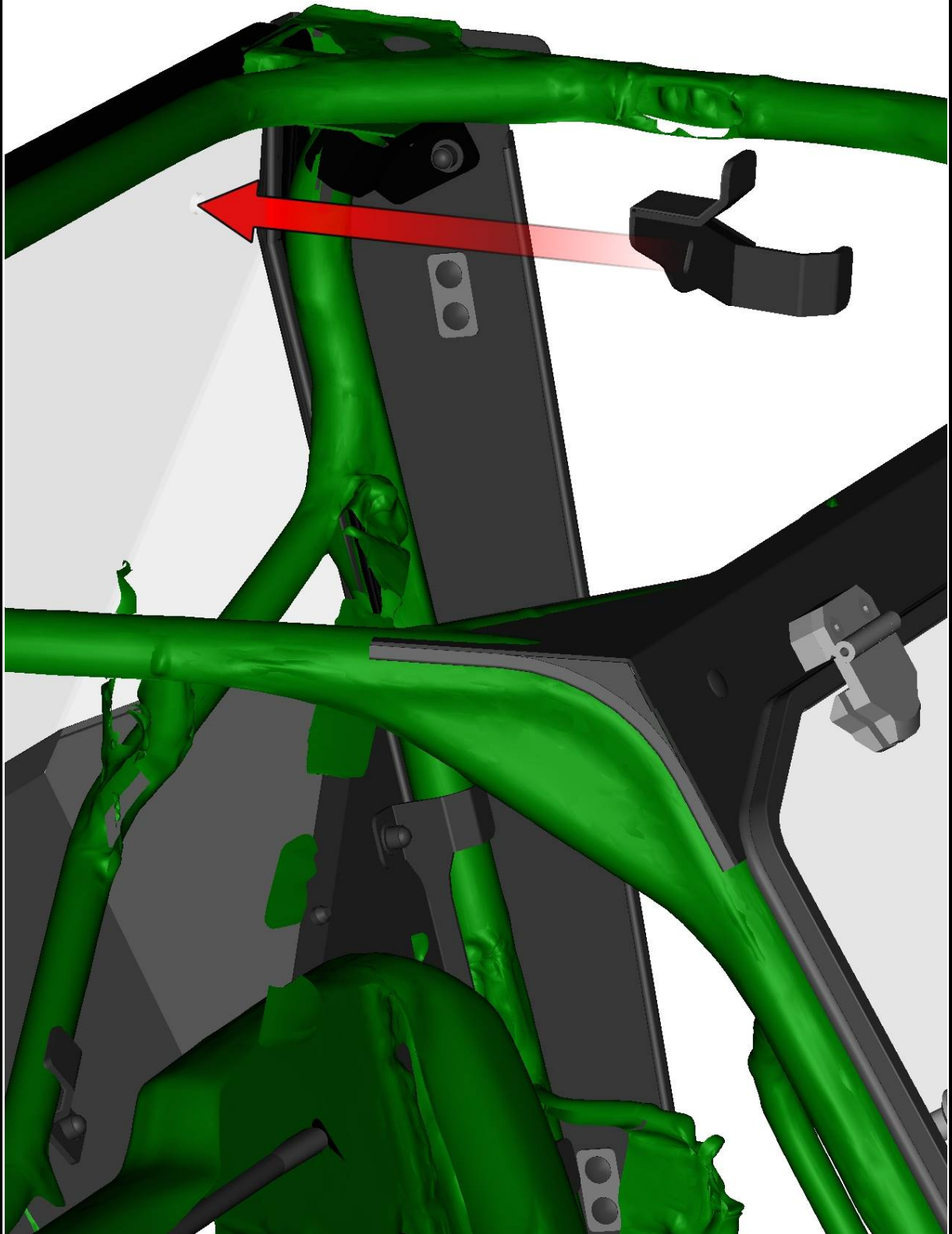
Place the rear panel assembly onto UTV roll cage and adjust the rear panel assembly to the best position.



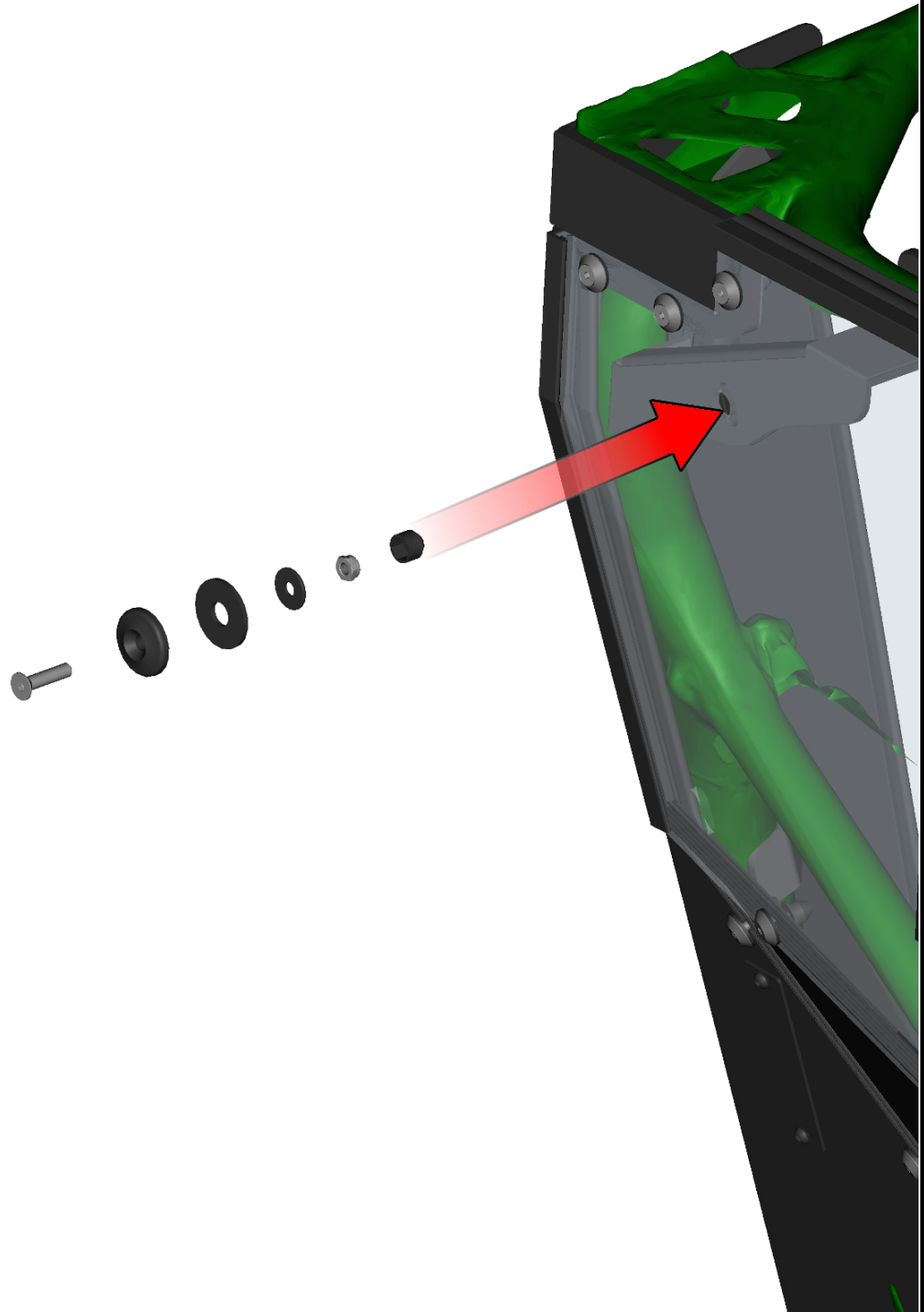
Secure panel by the upper holders.



Place the upper rear panel holders onto the correct position on both sides.

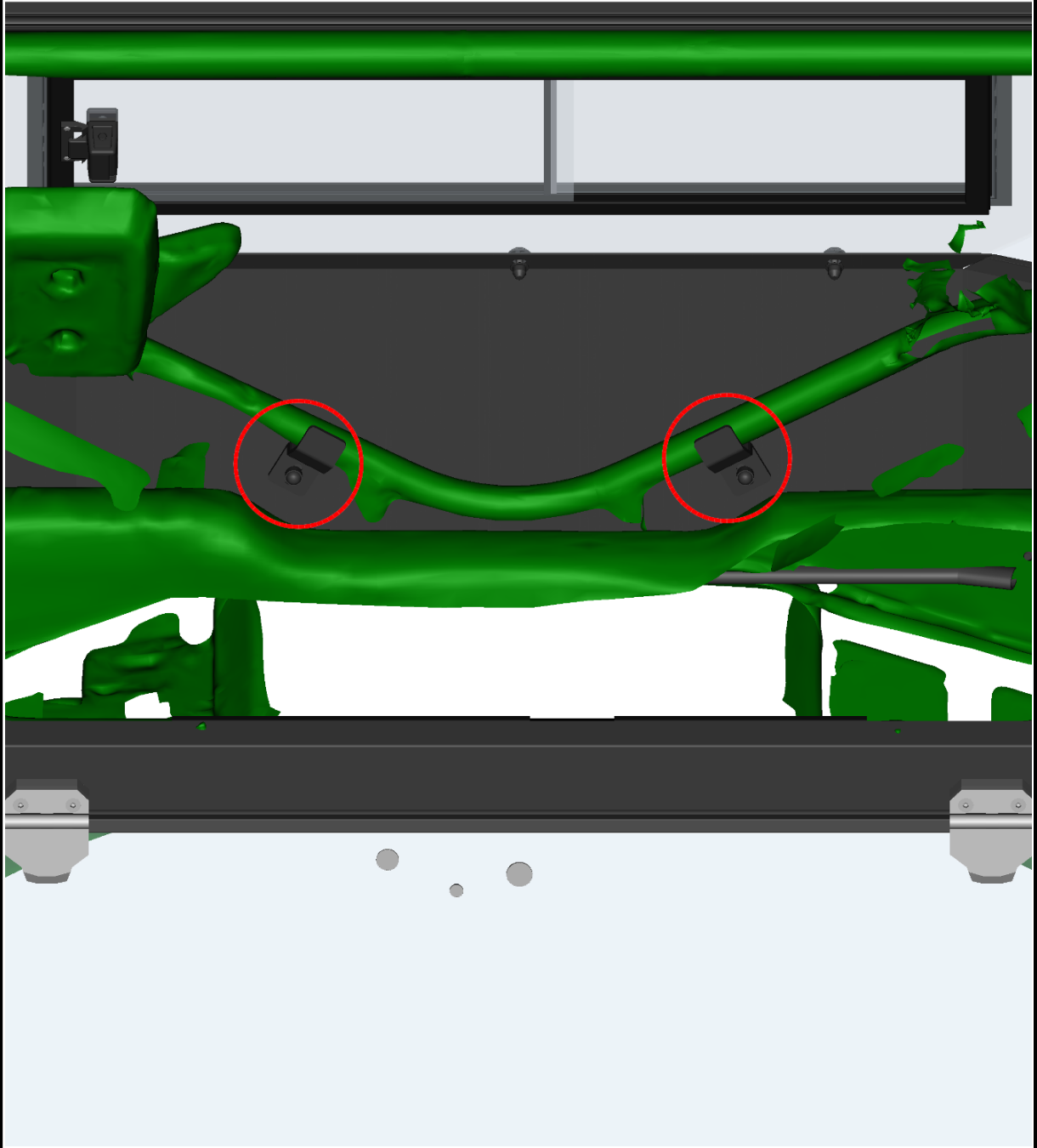


Fix the upper holders with the rear panel with bolts, washers, nuts and covers on both sides.



55

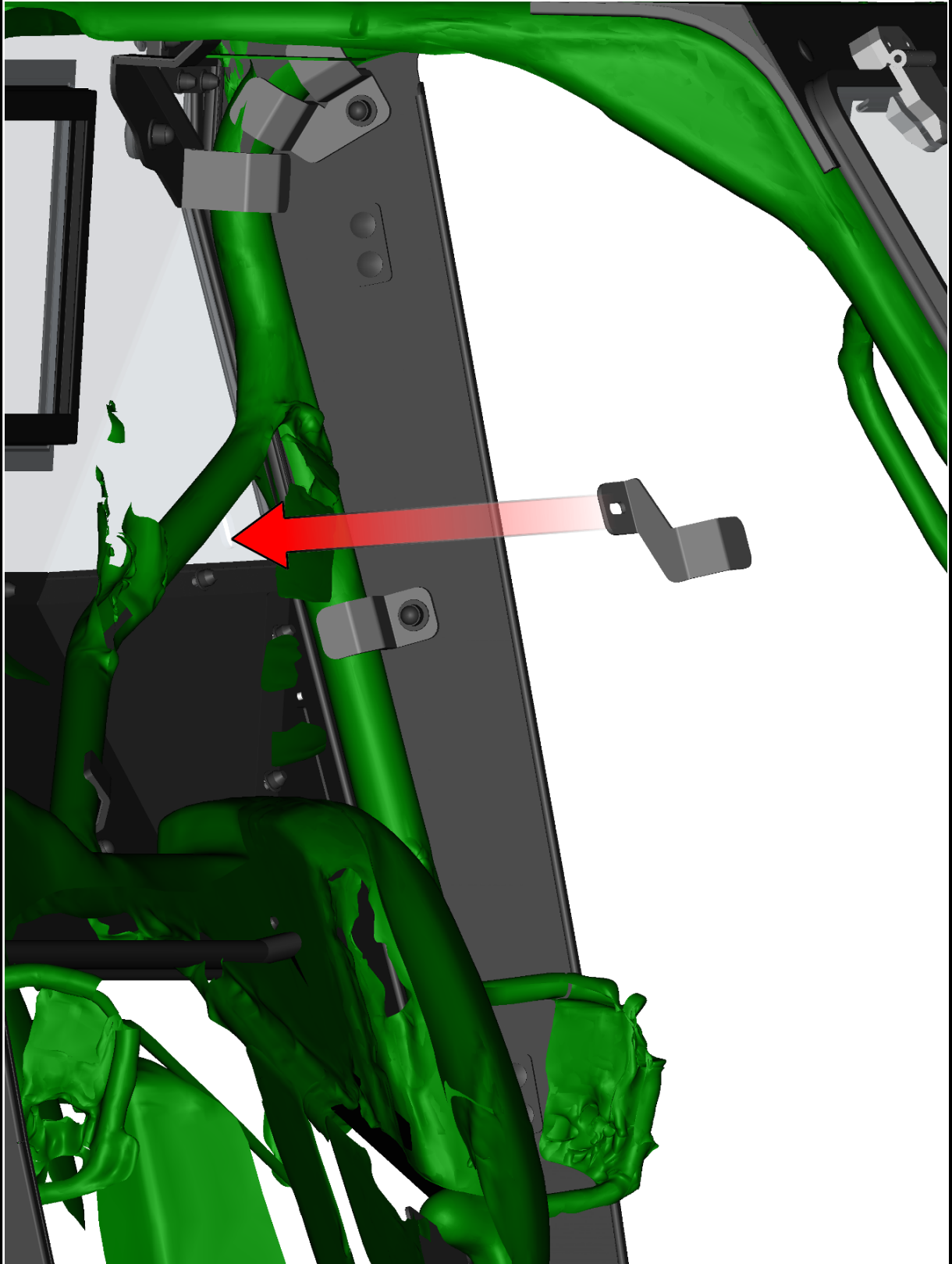
Turn the bottom rear panel panel holders to the correct position and tighten the bolts correctly.



56

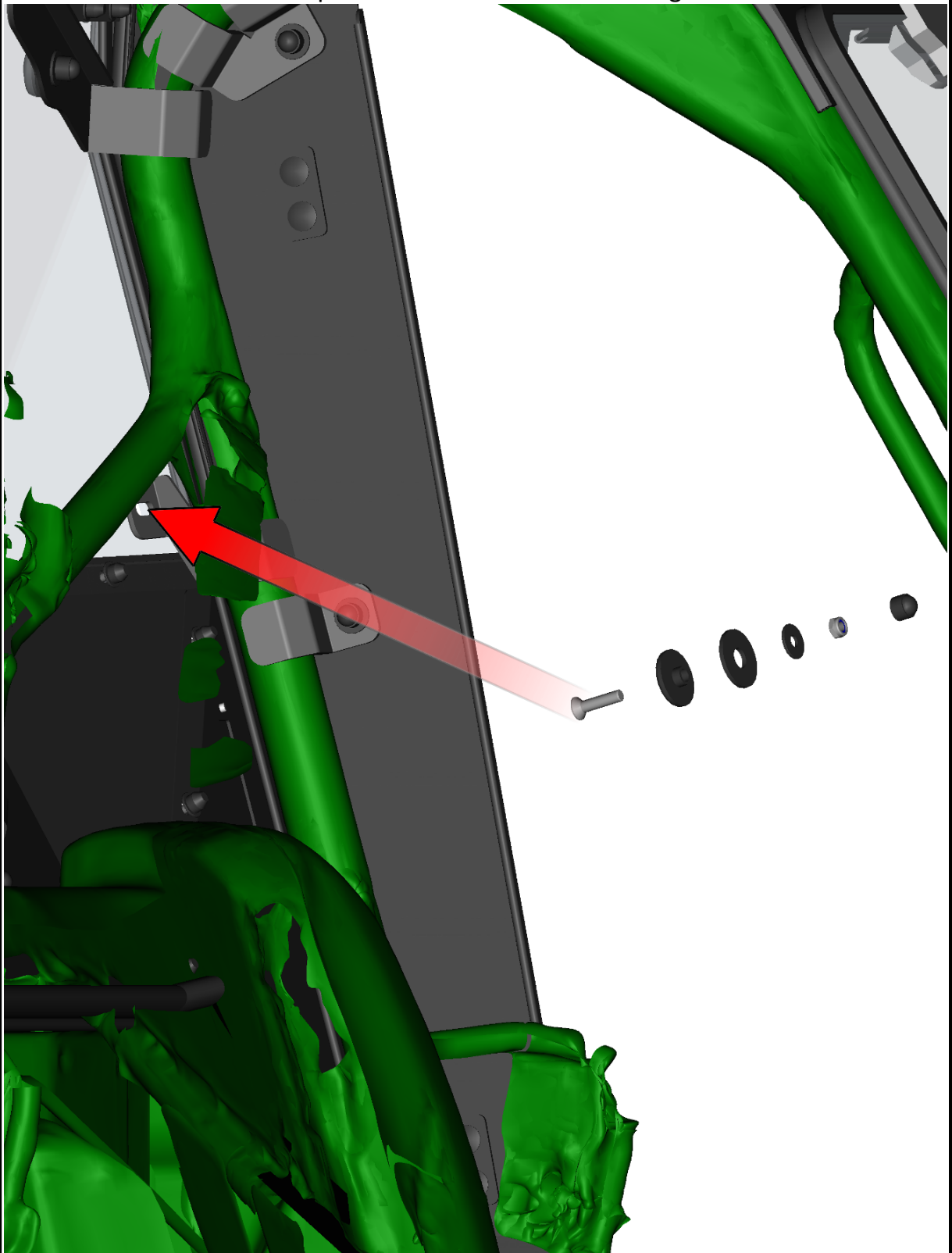


Place the side rear panel holders onto the correct position on both sides.



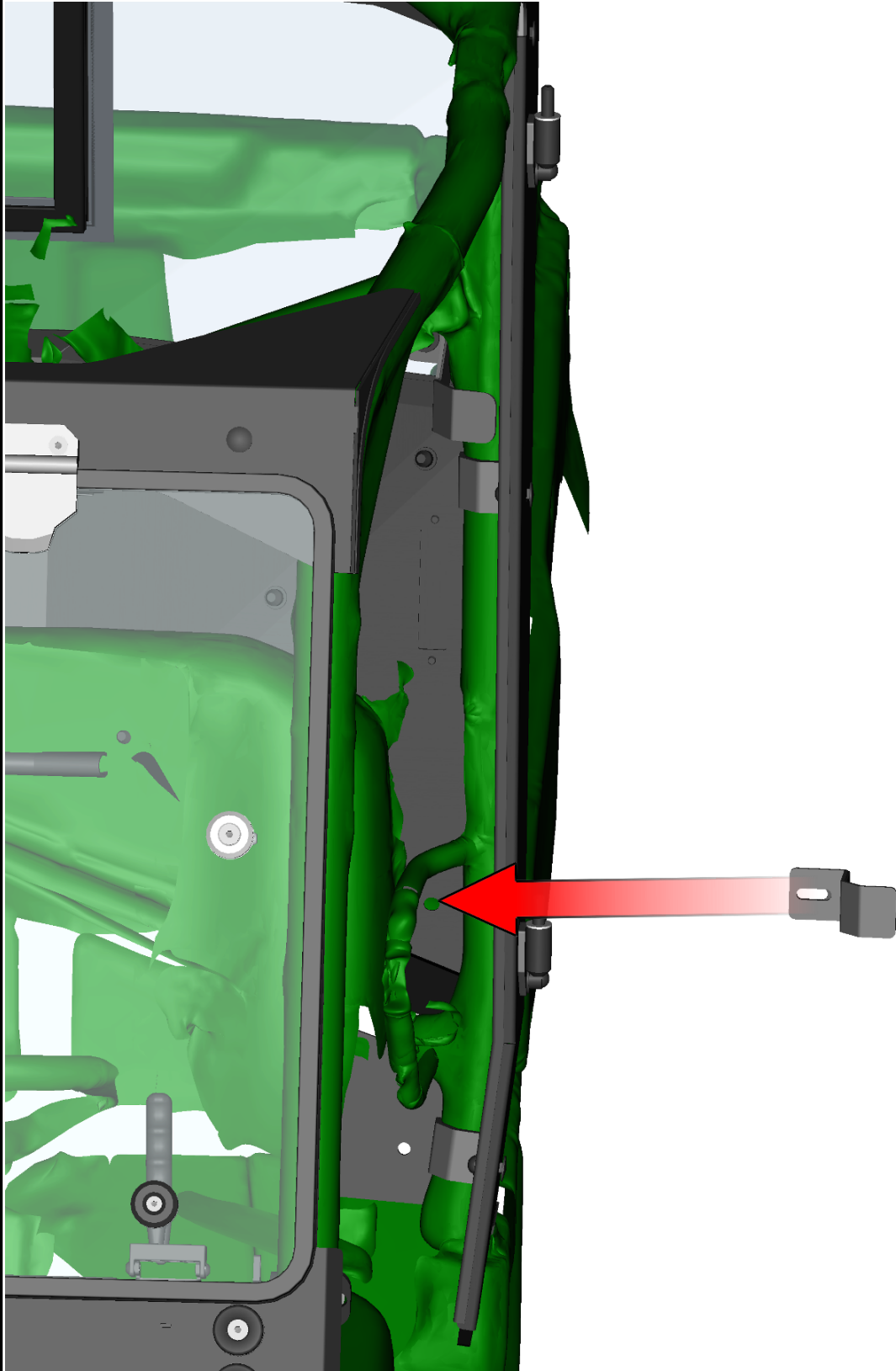
57

Fix the side rear panel holder with included fixing assemblies.

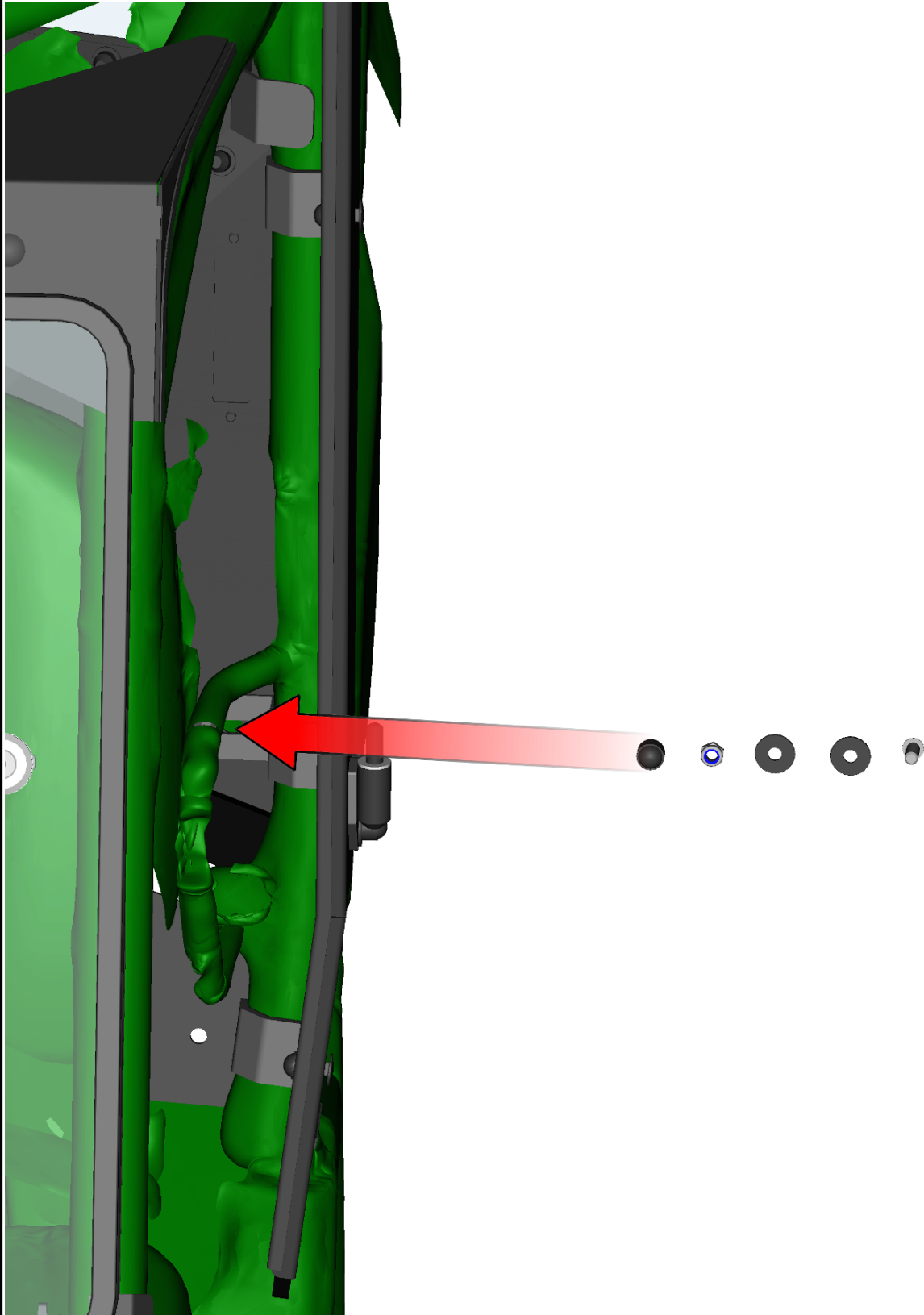


58

Place the side rear panel holders onto the correct position on both sides.



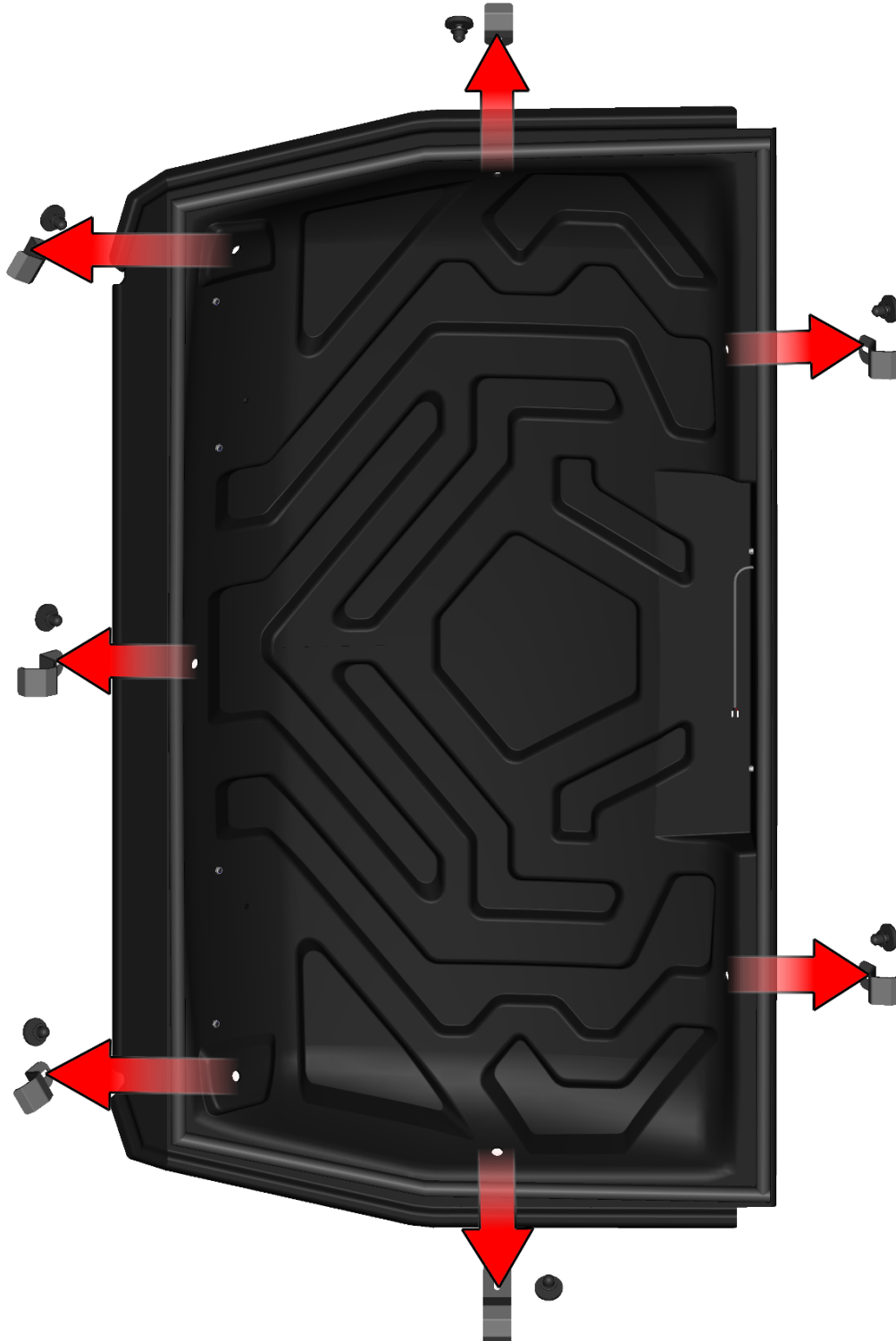
Fix the side rear panel holder with included fixing assemblies.



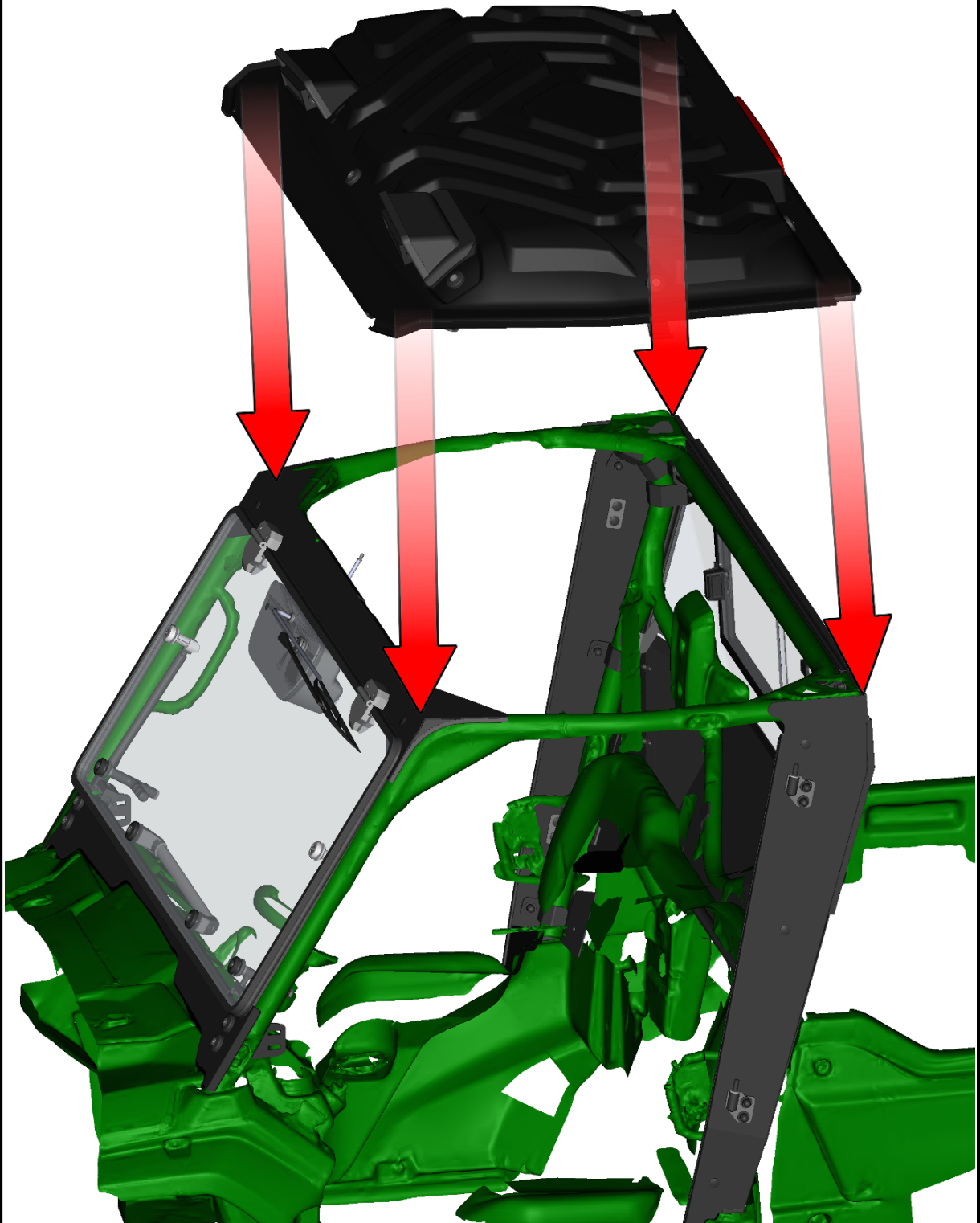
60

ROOF

Uninstall the roof holders assemblies and save that assemblies for later usage.

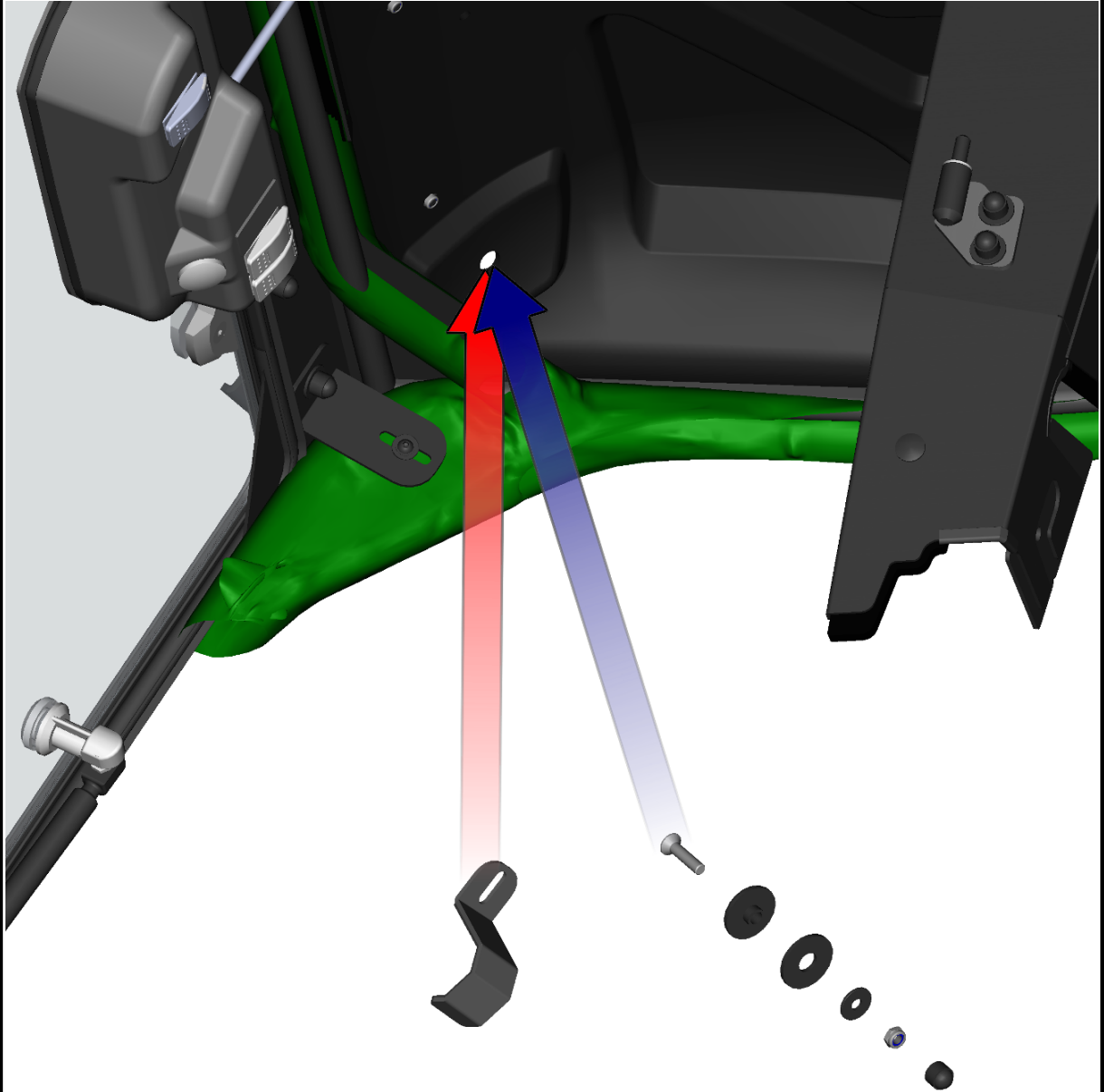


Place the roof panel onto UTV roll cage and adjust to the best position.

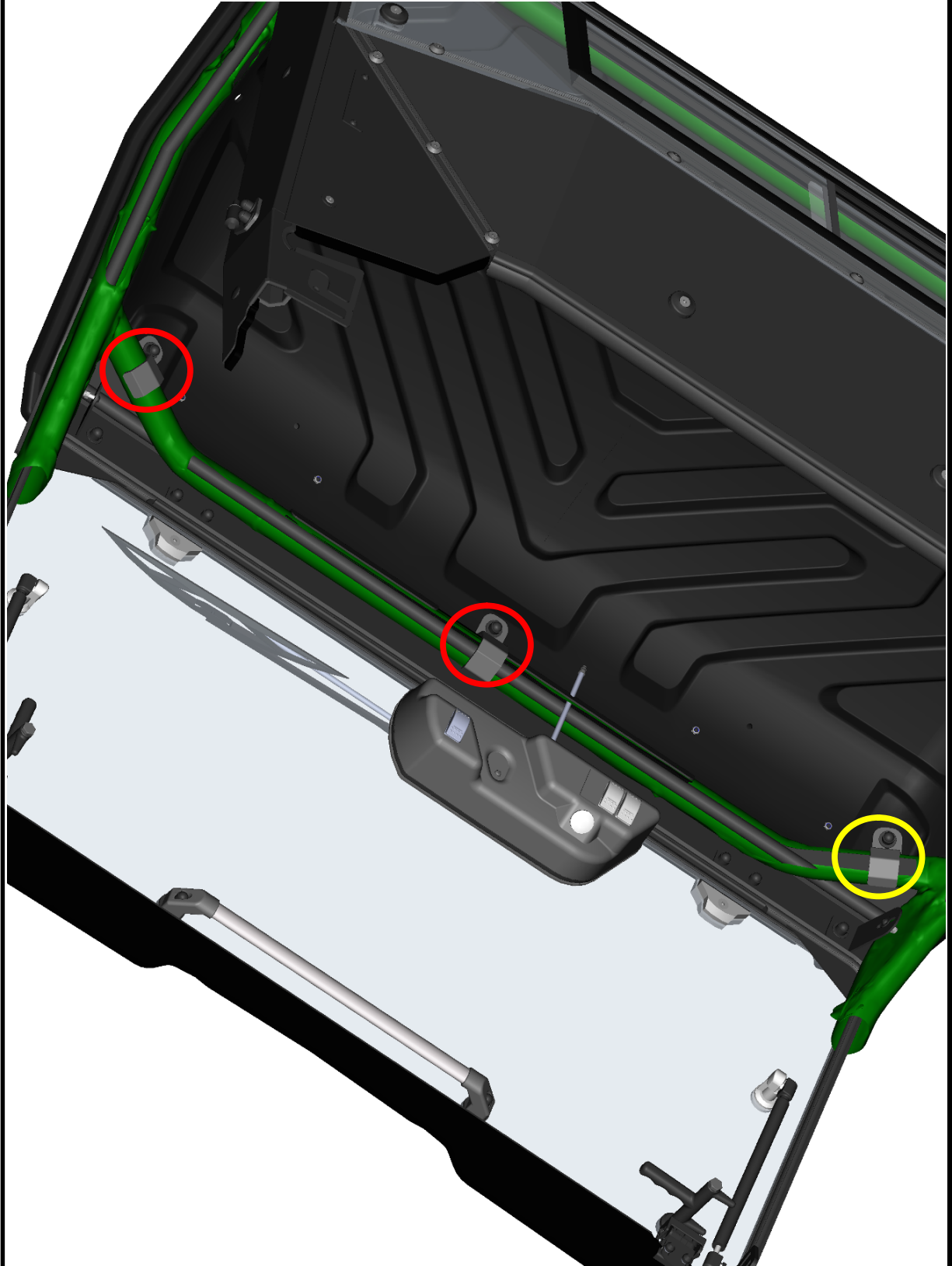


62

Place the roof holder onto the roof and onto the vehicle frame. Fix the holder with the roof to the frame by included screw, washers, nut and cover.

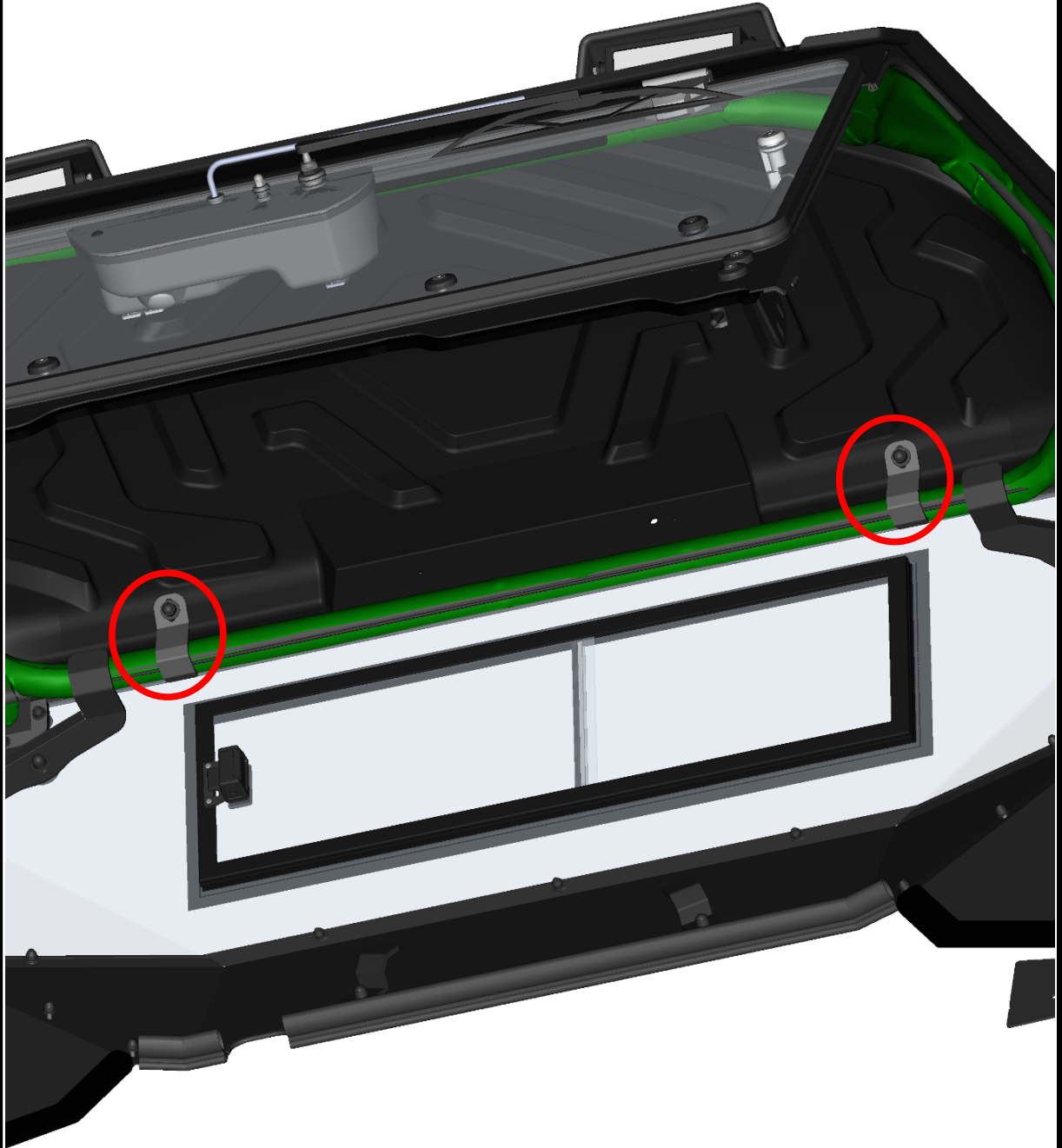


Repeat previous steps with the holders on the roof front side.





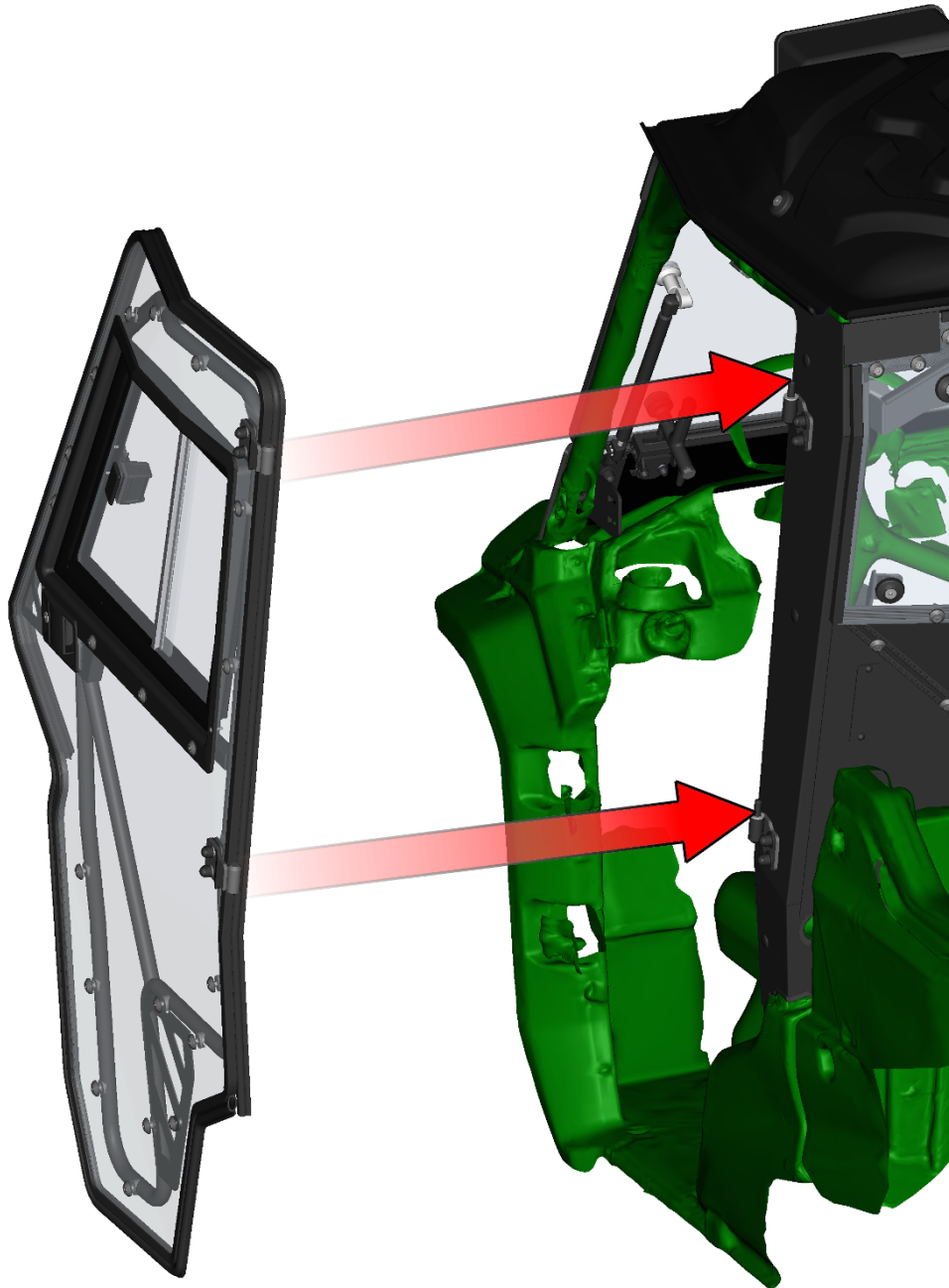
Repeat previous steps with the holders on the roof rear side.



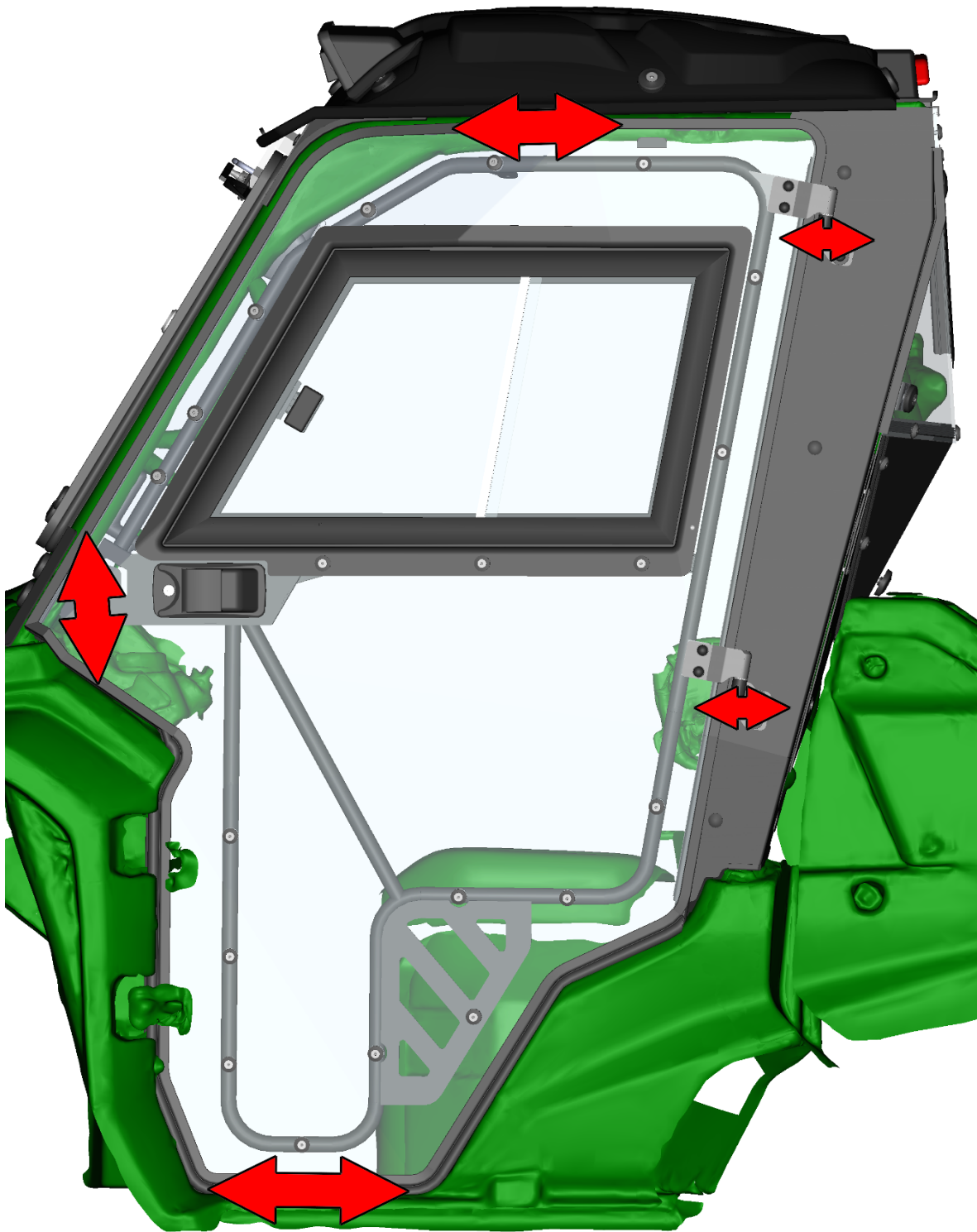
65

**LEFT DOOR + RIGHT DOOR**

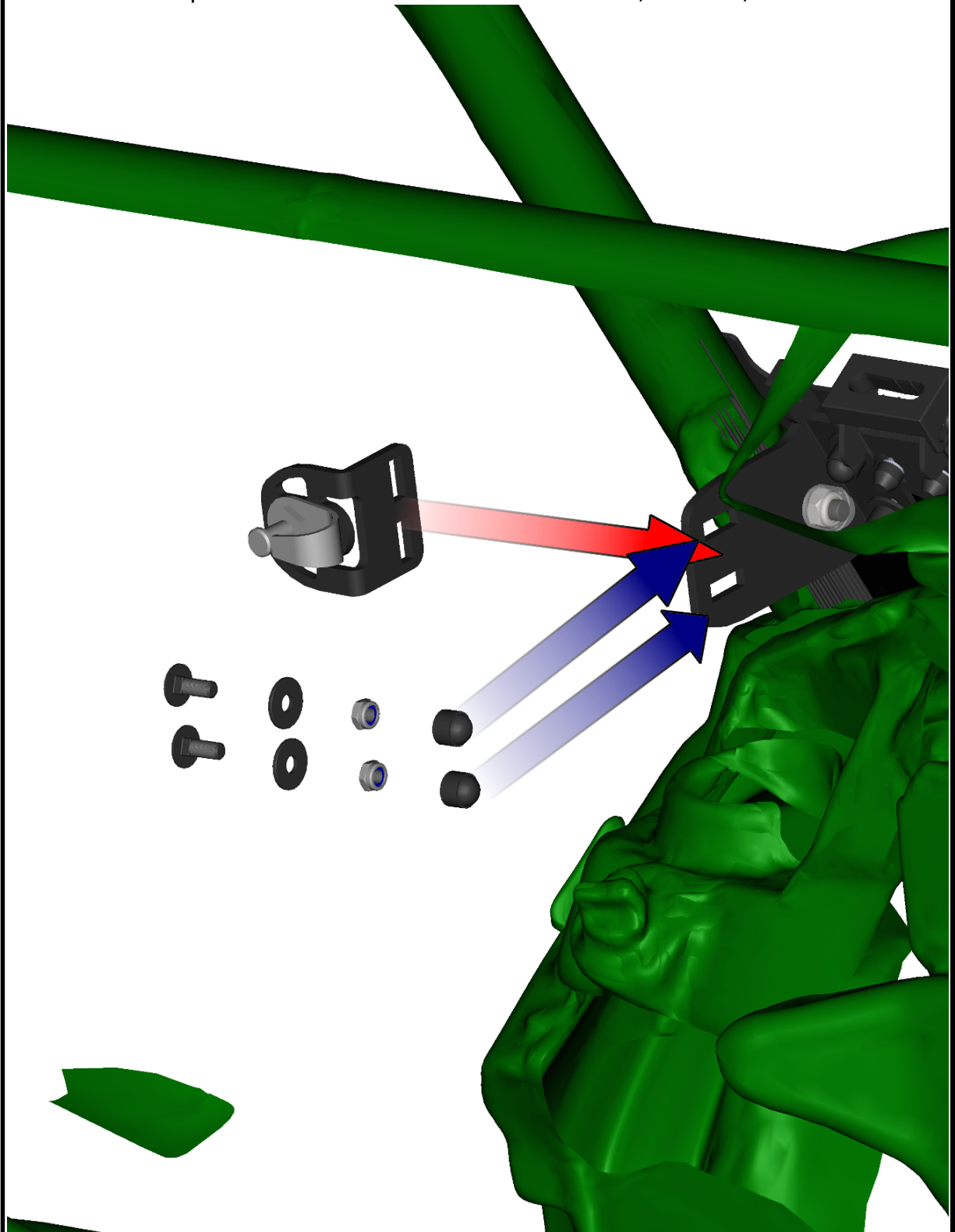
Lubricate the hinges pins and install washers onto the hinges pins.  
Place the left door onto the hinges pins.



Adjust the door by the hinges to the best position. Tighten the door hinge bolts correctly.

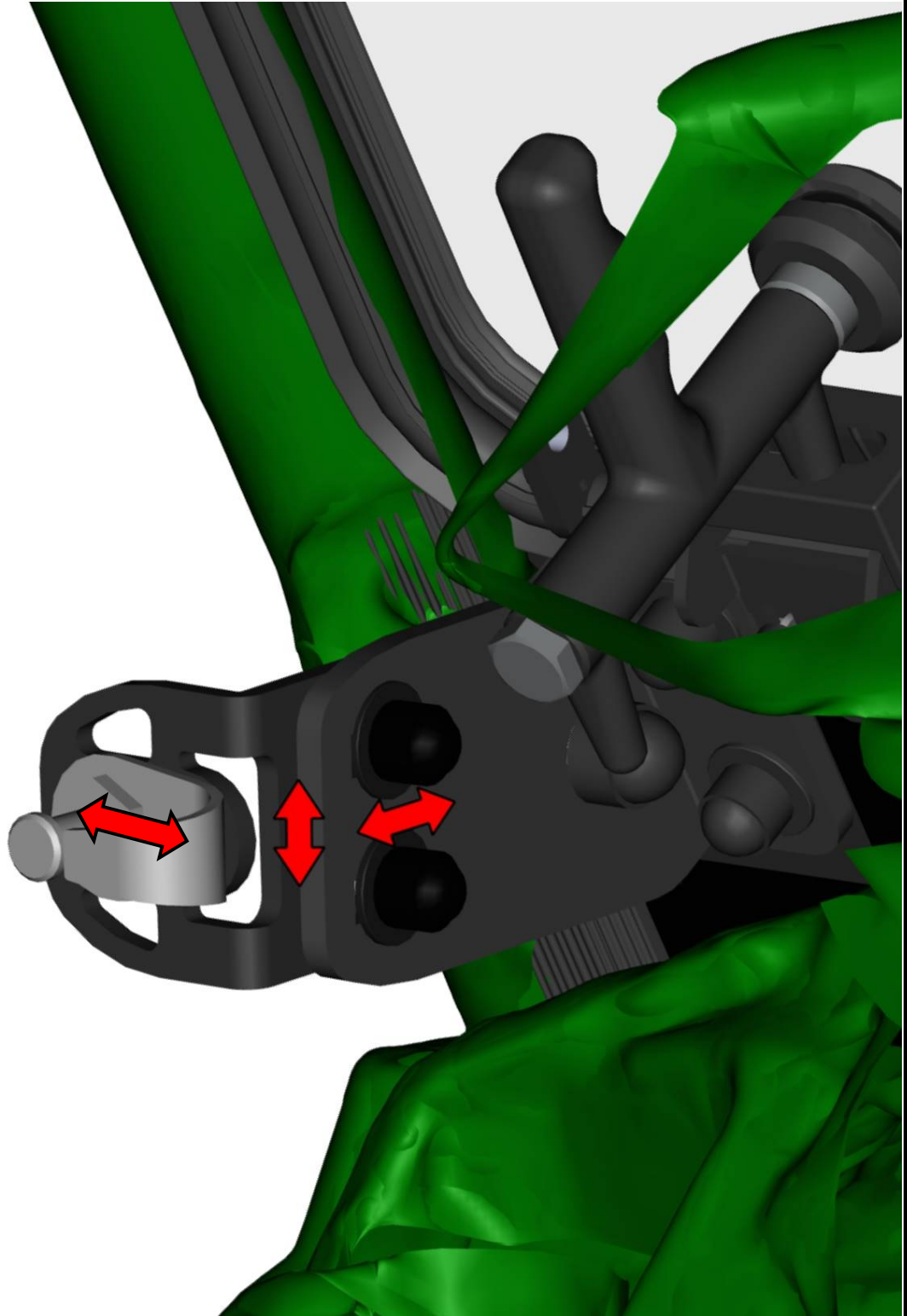


Place the door stop holder with door stop assembly onto front holder.  
Fix the door stop holder with the front holder with bolts, washers, nuts and covers.



68

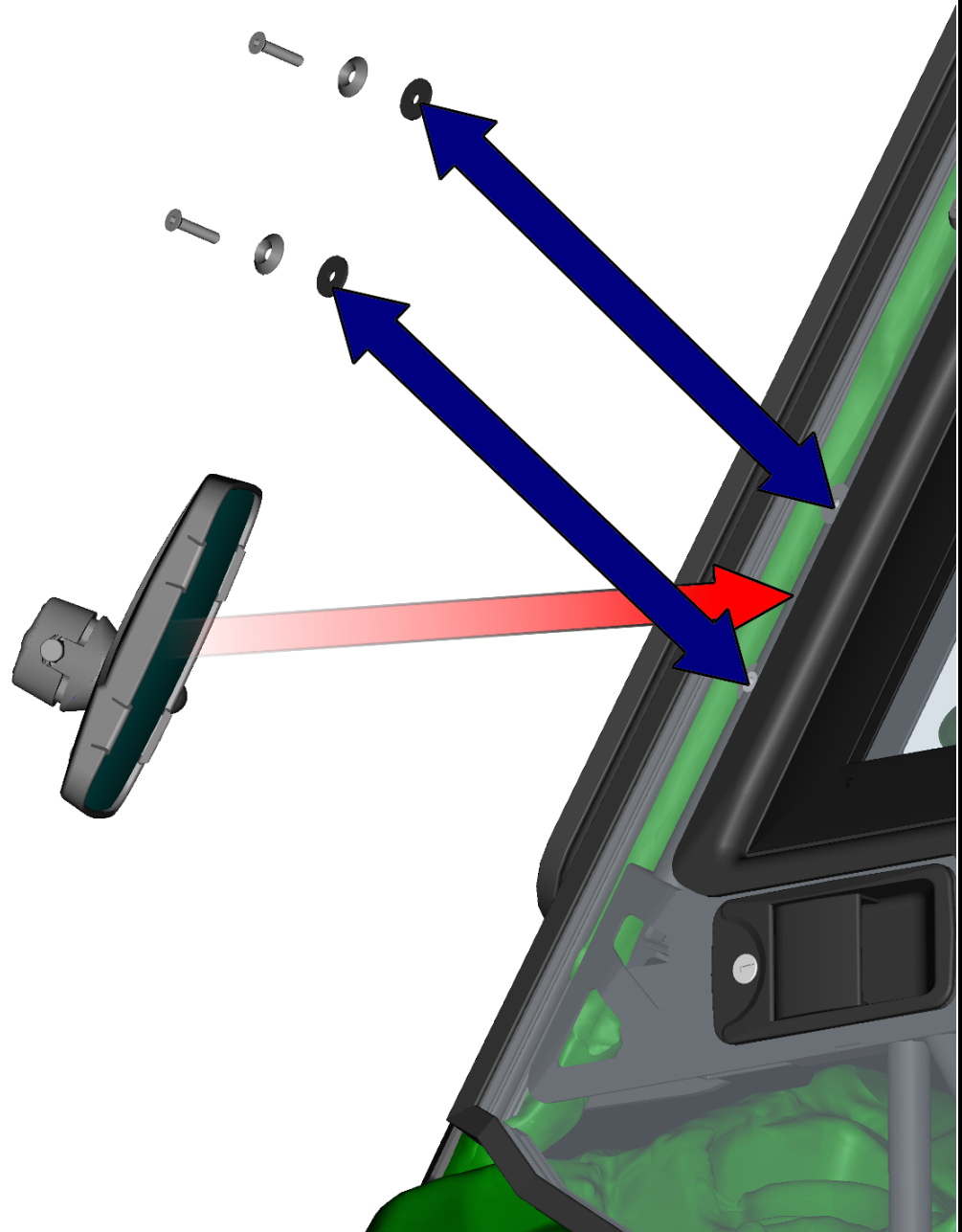
Adjust the door stop holder and door stop to the best position with the door.  
If you have adjusted the door stop correctly, when you close the door you will hear 2 clear metallic clicks.



Fix the rear view mirror with the mirror holder with washer, nut and cover.

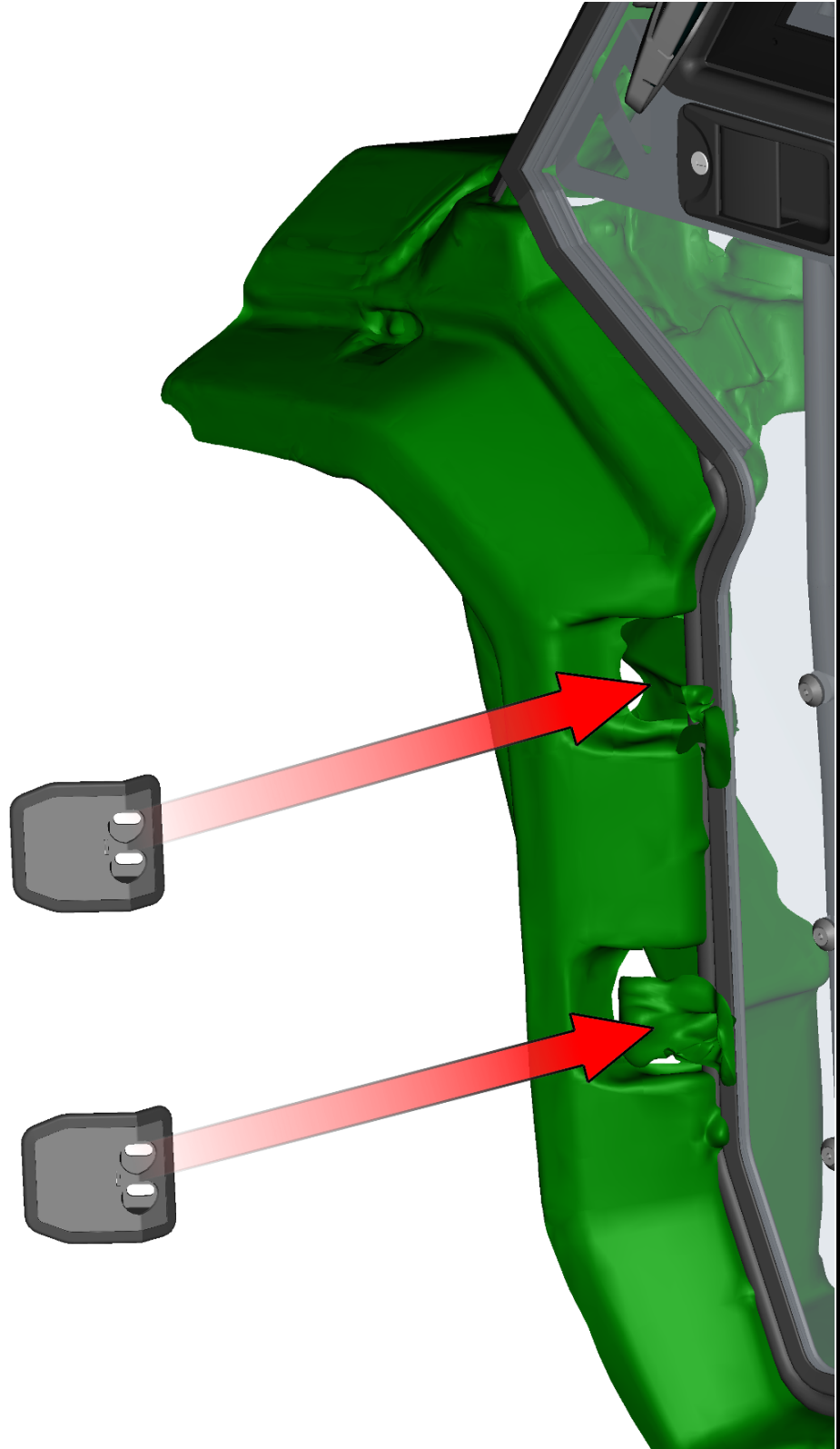


Loosen the screws with washers from the door. Place the rear mirror with the rear mirror holder to the door. Fix the holder with the door with screws and washers from previous step.



71

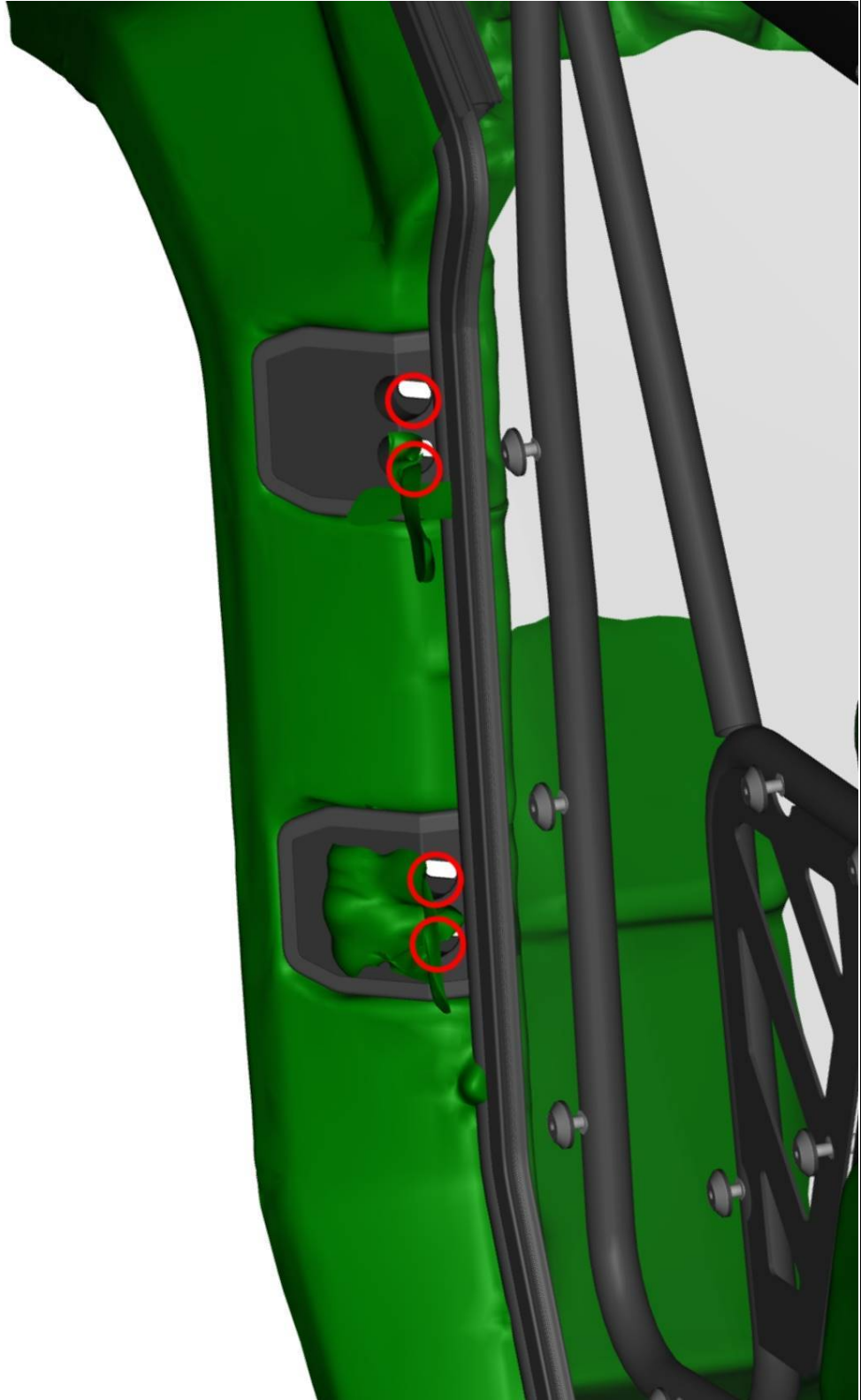
Place the hinge space covers onto gaps and adjust to the best position.



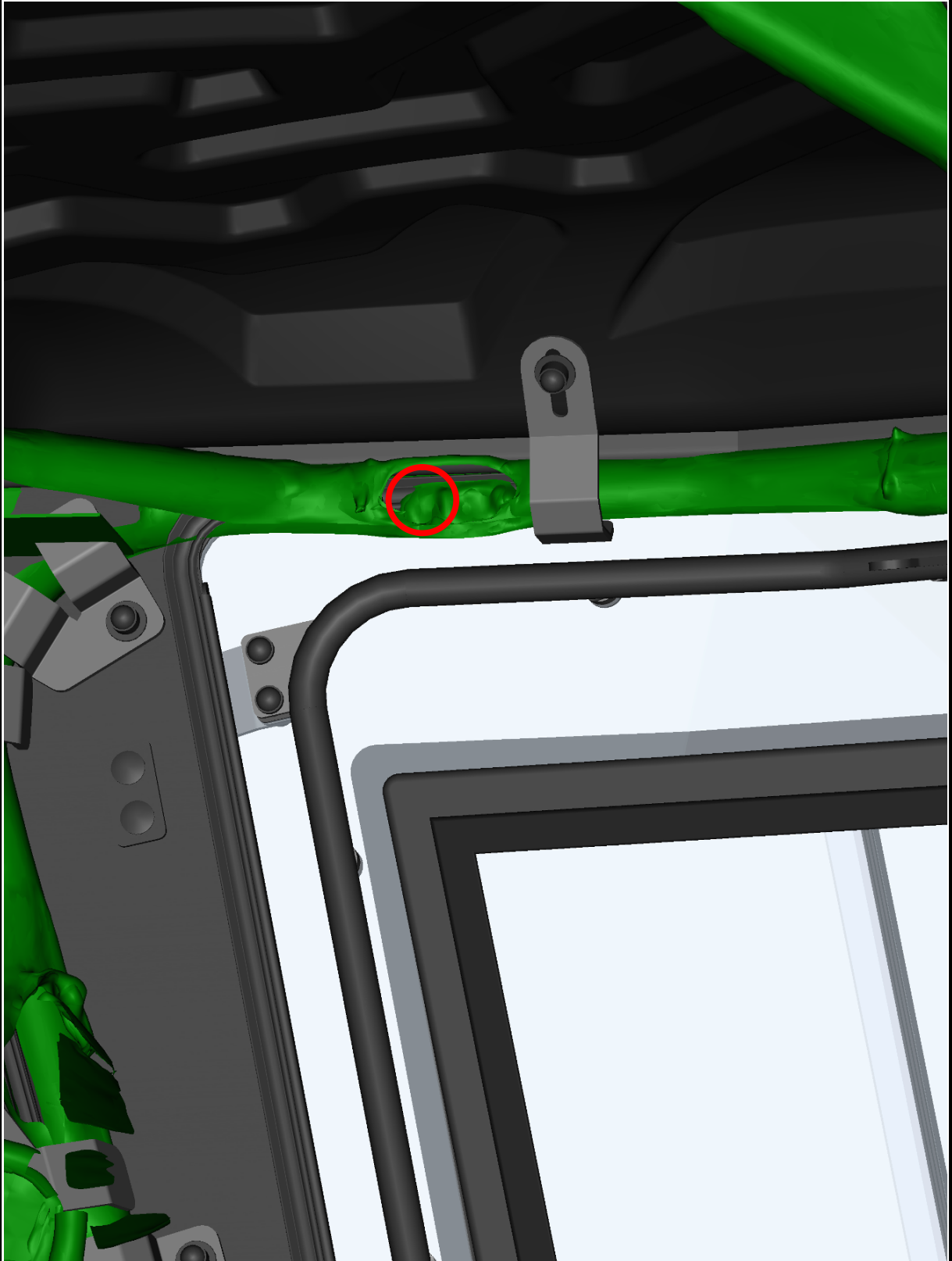
72



Fix the hinge space covers with the UTV body with the original screws at the original fixing points.

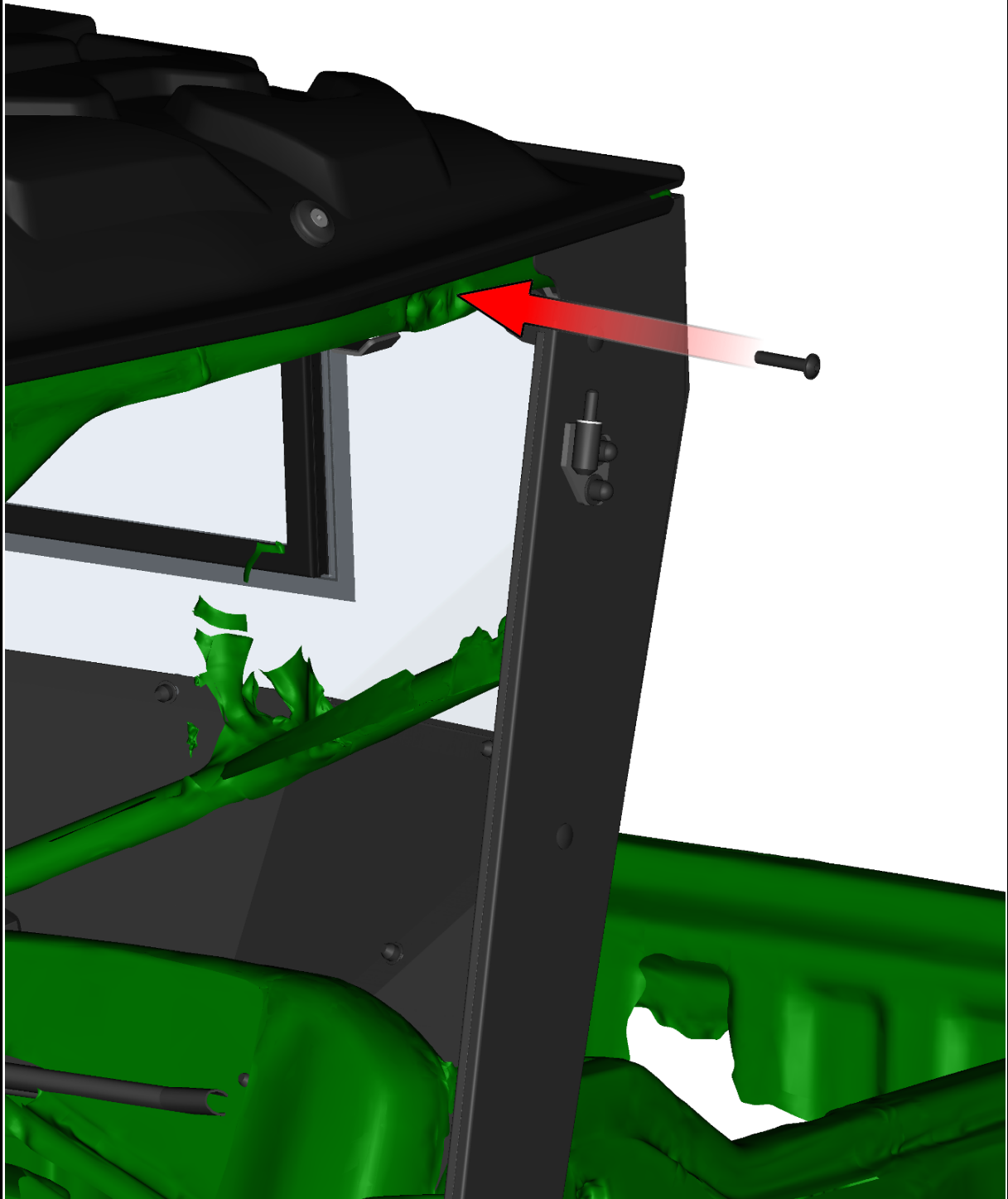


Uninstall the rear original roll cage fixing bolt from rops.(red circle).



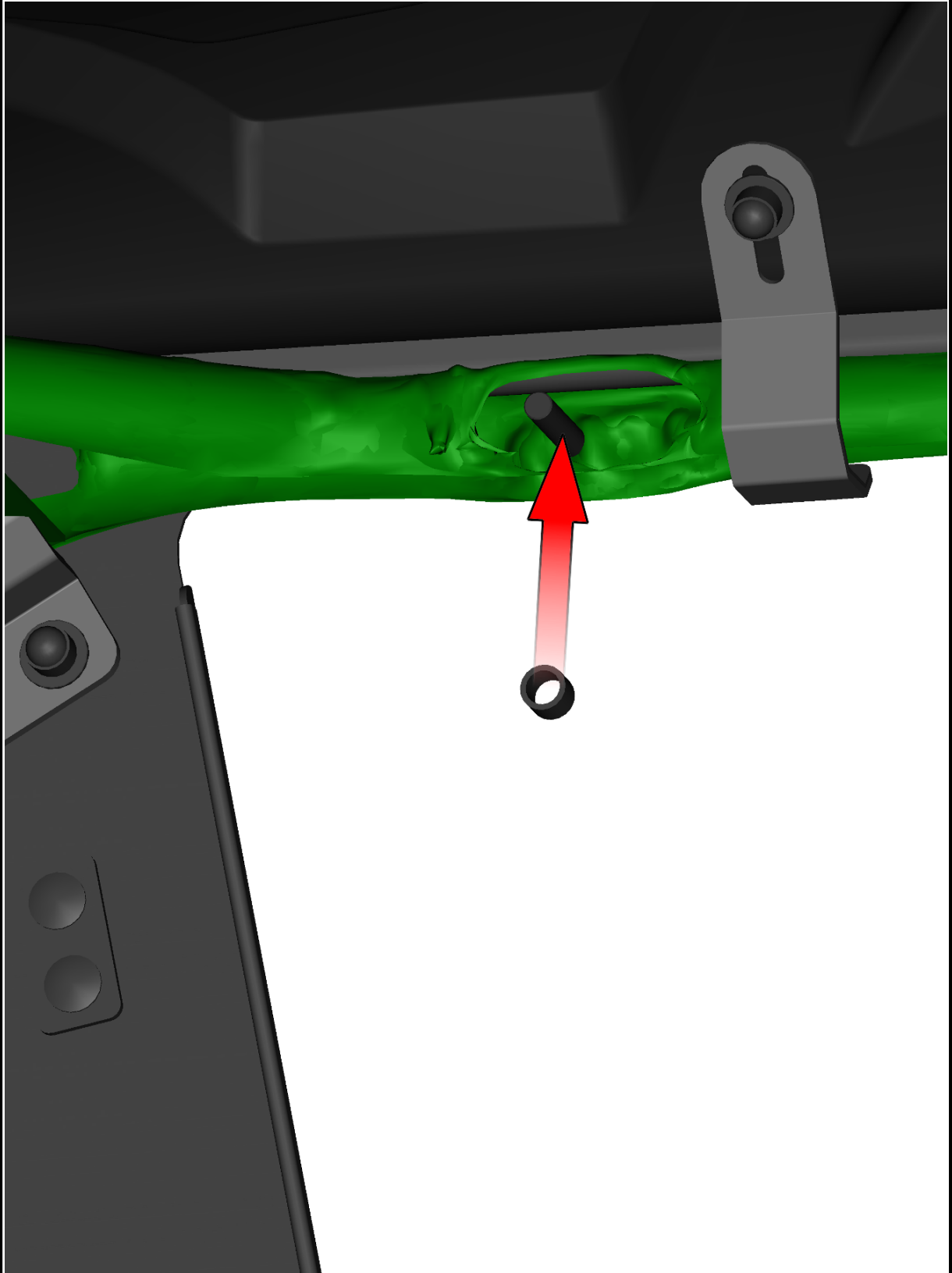
74

Install the gas spring holder fixing bolt into the original roll cage hole.



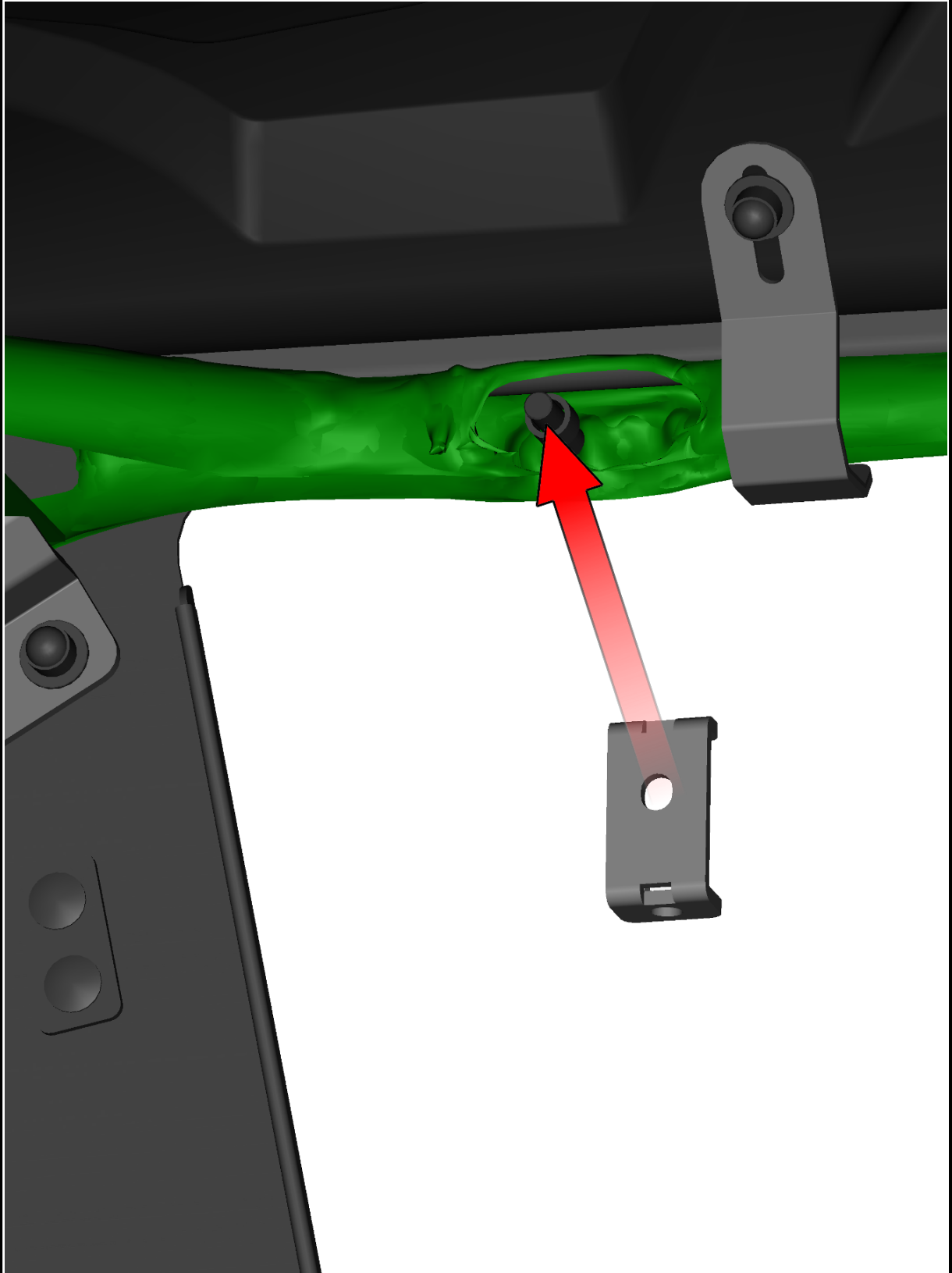
75

Place the distance tube onto the gas spring holder fixing bolt.



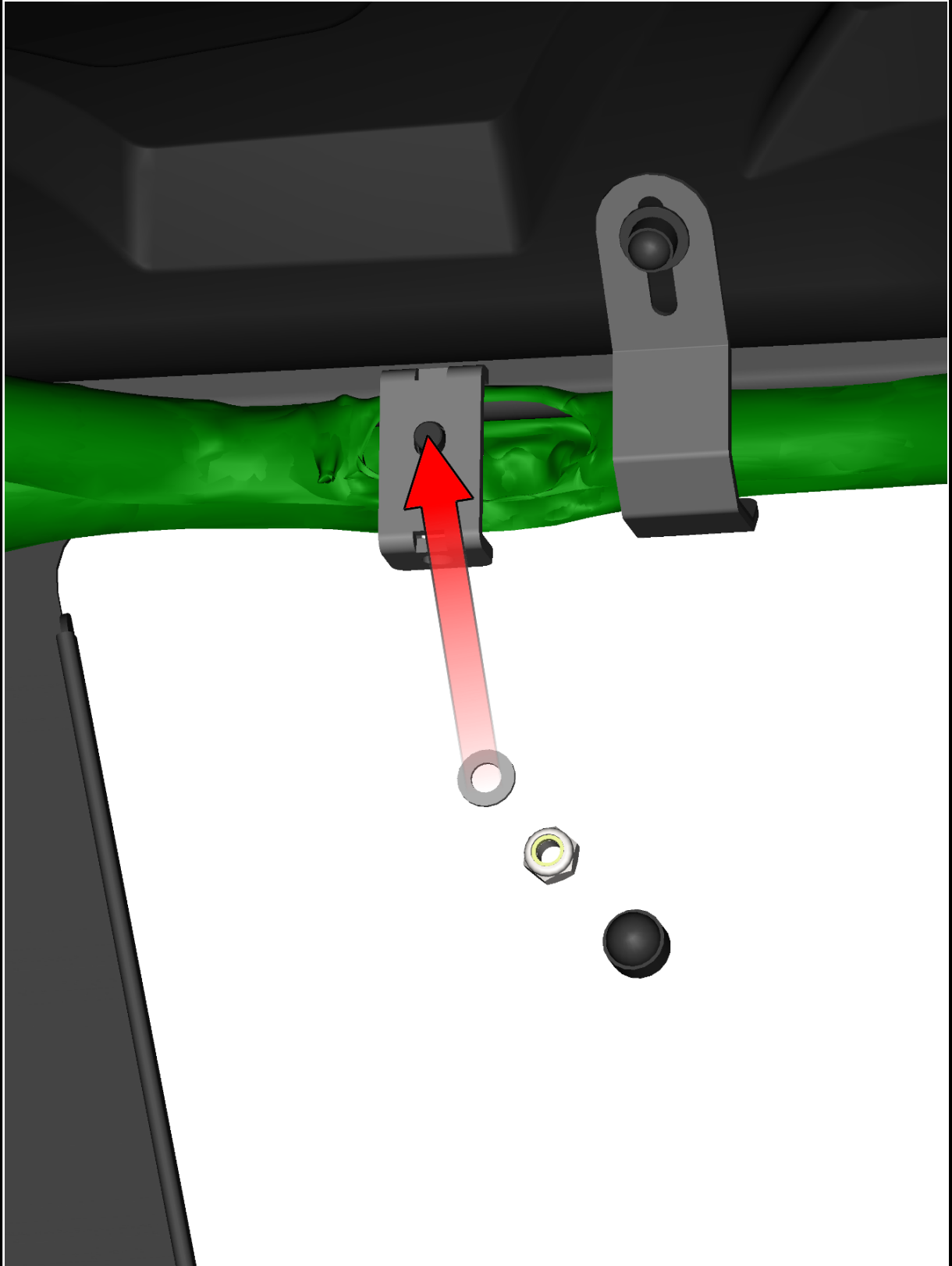
76

Install the gas spring holder onto gas spring holder fixing bolt.



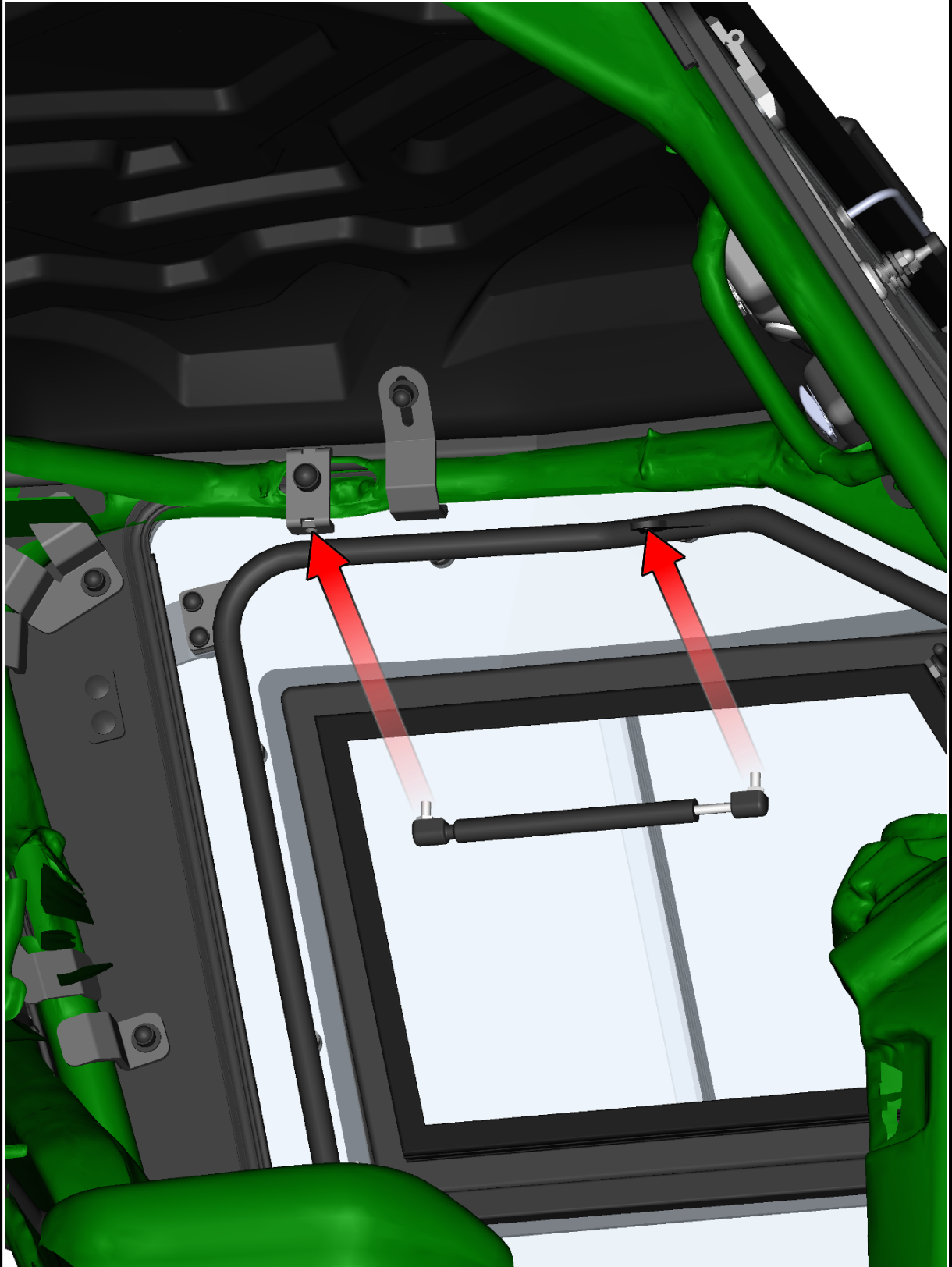
77

Fix the gas spring holder with included washer, nut and cover.



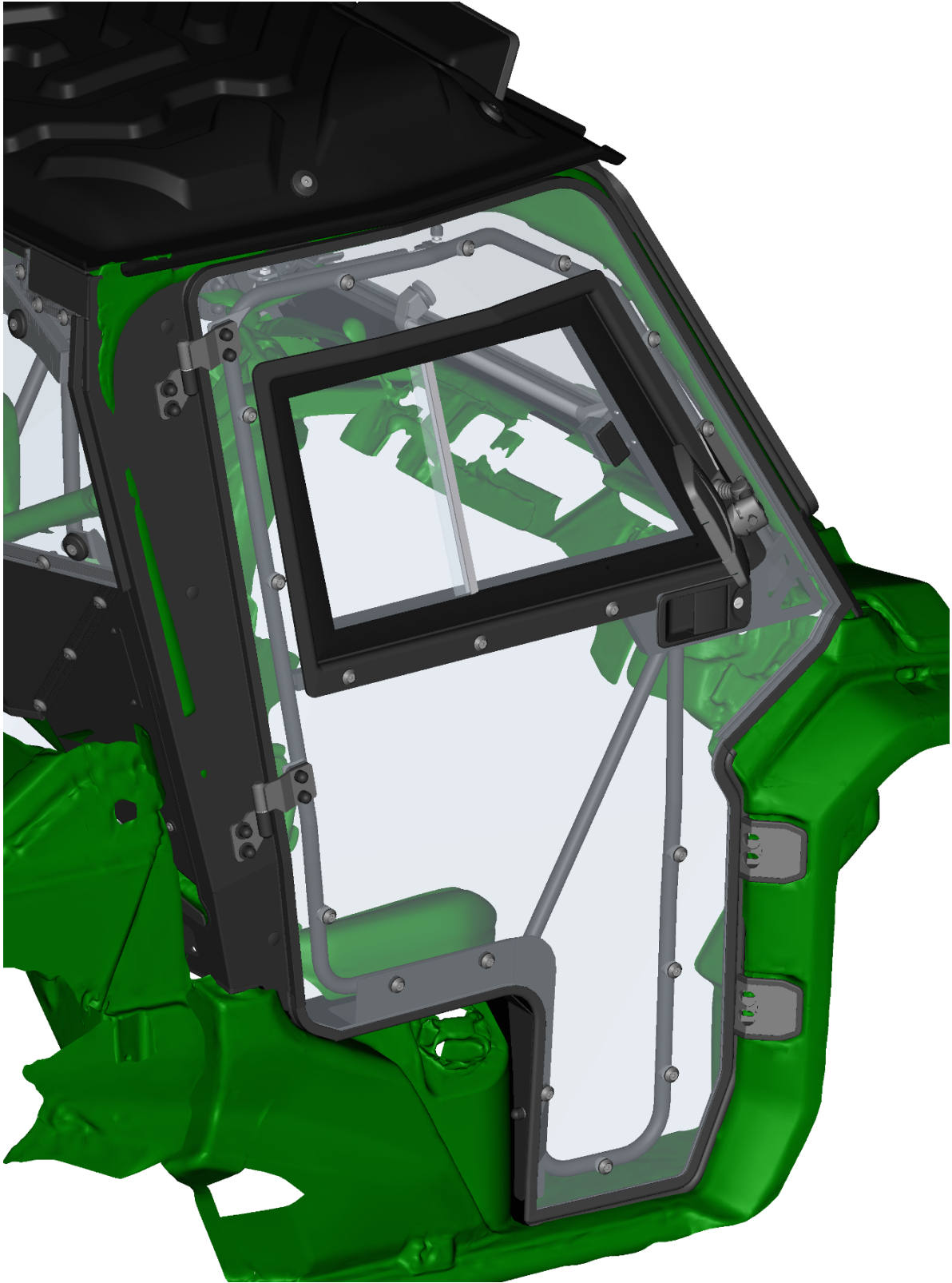
78

Install the gas spring onto the gas spring holders.



79

Repeat previous steps with the right door.



80



**ELECTROINSTALLATION WIPER / WASHER 1.**

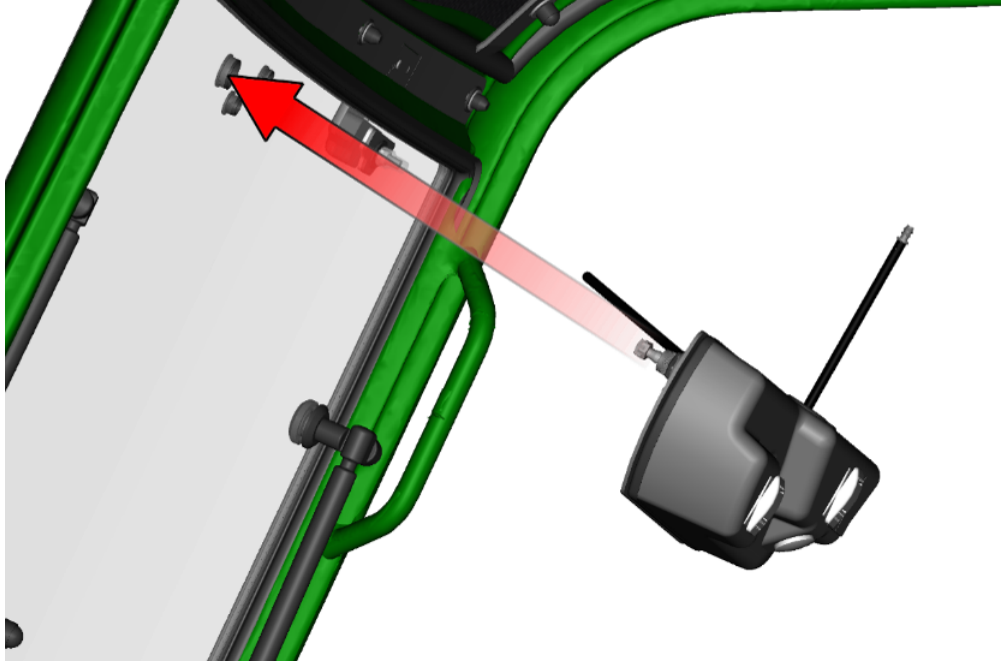
Run the wiper motor harness on the tube of the vehicle frame.



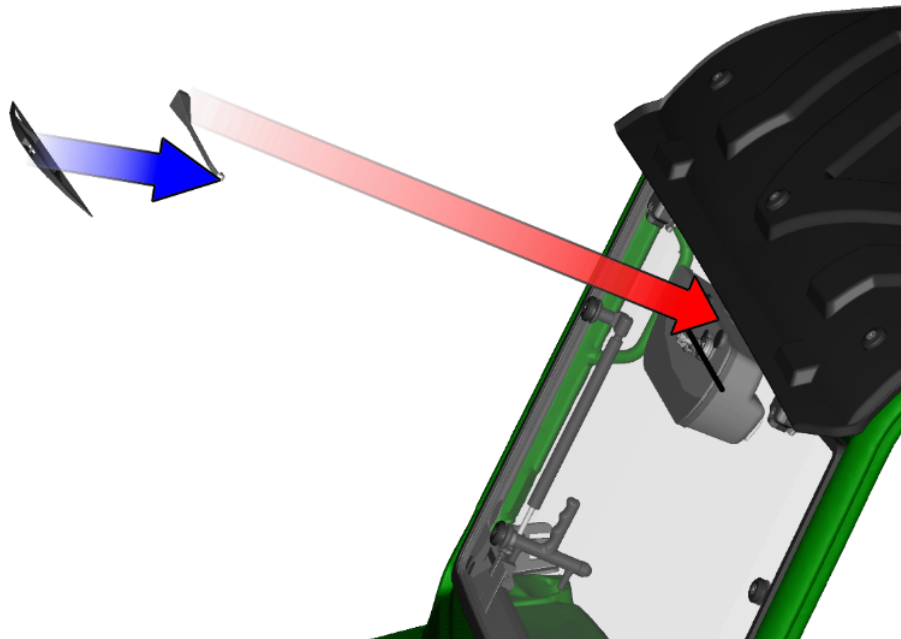
Run the wiper motor harness under the front upper ledge holder.



Install the wiper motor assembly onto the front window.



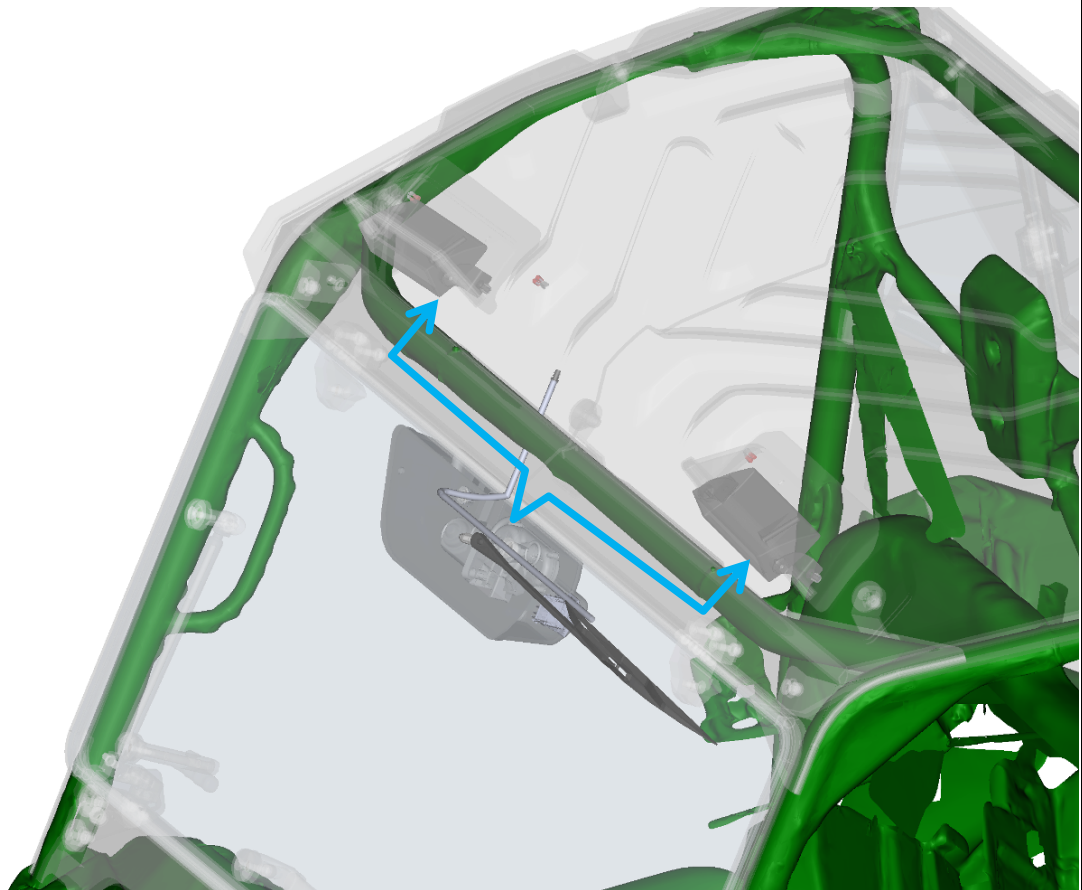
Install the wiper arm with wiper blade onto the wiper motor.



Connect the wiper harness and the washer harness with the wiper motor harness  
Connect the washer hose with the washer hose on the wiper motor.

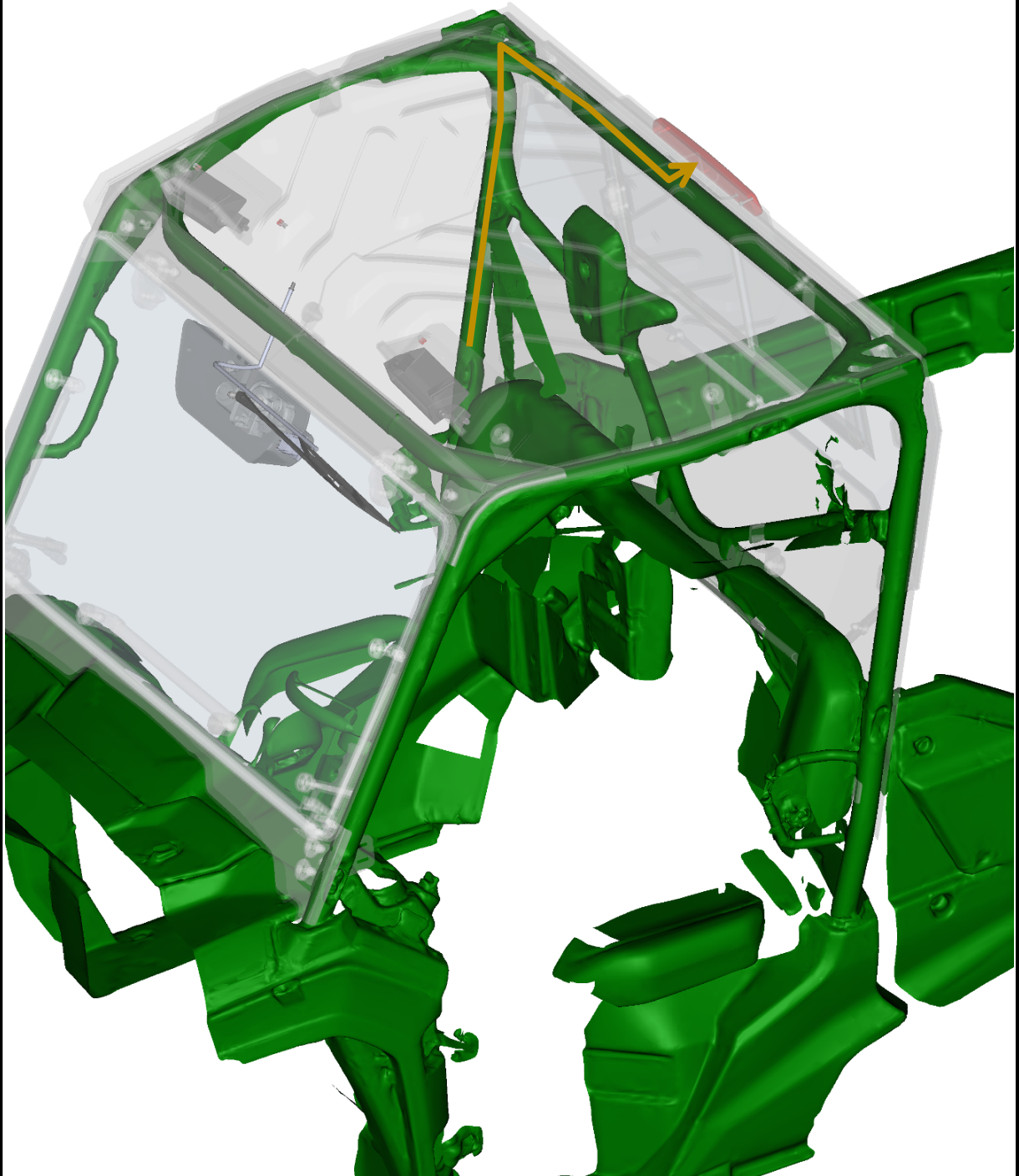


Connect the front light harness with the front light connectors on the roof.



83

Connect the brake light harness with the brake light connectors on the roof.



**When it rains, the original holes in the UTV frame can leak water into the cabin.  
For this reason, these holes must be sealed with silicone.**

Seal the holes in the frame with included silicone (red oval).



Location of the holes on the UTV frame (red oval).



