




SPARE - PARTS CATALOG

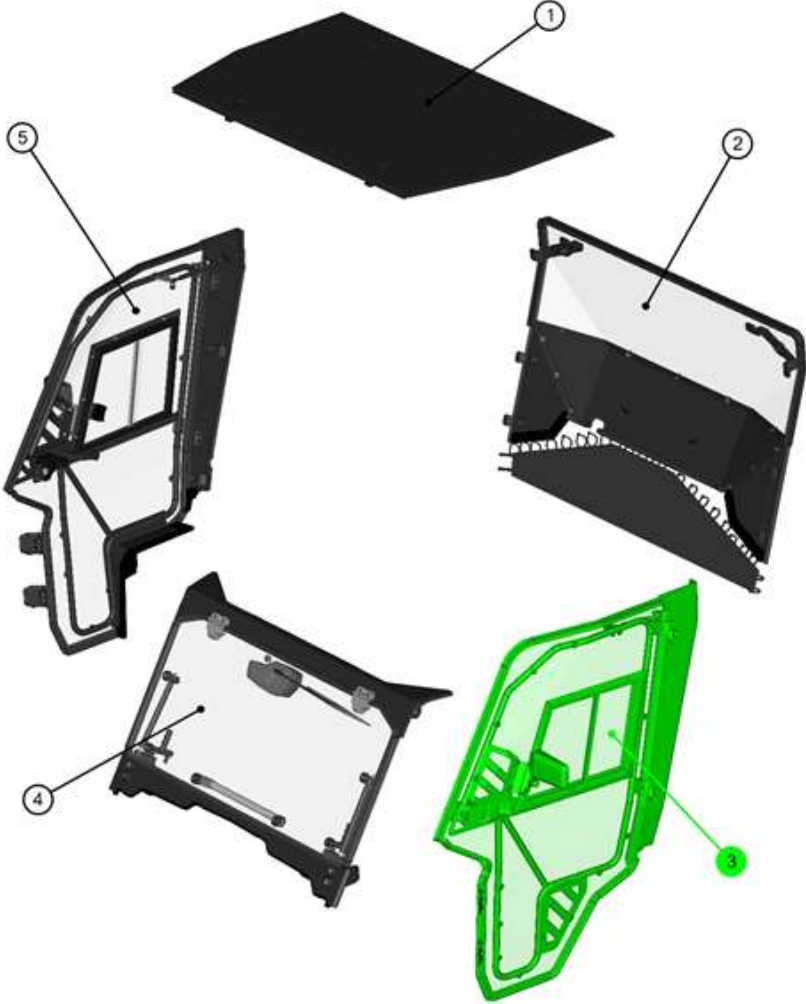
HONDA

PIONEER 700-2 (2017)

1. Select the panel that interests you and go to the appropriate page catalog.



HONDA
PIONEER 1000



5

ID	Catalogue no.	Description	Qty	Page
1	XXSXXUXXSXX	ROOF PANEL	1	19
2	XXSXXUXXSXX	REAR PANEL	1	22
3	XXSXXUXXSXX	LEFT DOOR	1	32
4	XXSXXUXXSXX	FRONT PANEL	1	7
5	XXSXXUXXSXX	RIGHT DOOR	1	46

DFK Cab, s.r.o.	Tel: +420 572 520 061,3	www.dfk.cz
Za Olšávkou 391, Uherské Hradiště 686 01	Fax: +420 572 520 071	www.forkliftcabs.eu
Czech republic	E-mail: dfk@dfk.cz	www.forkliftcabins.com

DFK HONDA PIONEER 1000

LEFT DOOR ASSEMBLIES

32

ID	Catalogue no.	Description	Qty
1	XXSXXUXX-XXMXXX	LEFT DOOR ASSEMBLY	1
2	XXSXXUXX-XXMXXX	GAS SPRING ASSEMBLY	1
3	XXSXXUXX-XXMXXX	LEFT DOOR BASE ASSEMBLY	1
4	XXSXXUXX-XXMXXX	HINGE SPACE COVER	2
5	XXSXXUXX-XXMXXX	DOOR STOP ASSEMBLY	1

DFK Cab, s.r.o. Za Olšavkou 391, Uherské Hradiště 686 01 Czech republic Tel: +420 572 520 061,3 Fax: +420 572 520 071 E-mail: gfk@dfk.cz www.dfk.cz www.forkliftcabs.eu www.forkliftcabs.com

2. Select the name of assembly that interests you (box description).

ID	Catalogue no.	Description	Qty
1	XXSXXUXX-XXMXXX	LEFT DOOR ASSEMBLY	1
2	XXSXXUXX-XXMXXX	GAS SPRING ASSEMBLY	1
3	XXSXXUXX-XXMXXX	LEFT DOOR BASE ASSEMBLY	1
4	XXSXXUXX-XXMXXX	HINGE SPACE COVER	2
5	XXSXXUXX-XXMXXX	DOOR STOP ASSEMBLY	1

Tel: +420 572 520 061,3
Hradiště 686 01 Fax: +420 572 520 071
E-mail: gfk@dfk.cz

3. Find the page with the same headline like the name of selected items.

LEFT DOOR BASE ASSEMBLY

4. Repeat the previous steps to find required part.

5. If you wish to order something please send us relevant Catalogue no. + Description

DFK HONDA PIONEER 1000

LEFT DOOR BASE ASSEMBLY

39

ID	Catalogue no.	Description	Qty
1	50S02U02-40M011	LEFT DOOR BASE	1
2	50S02U02-40M003	LEFT DOOR BASE HINGE	2
3	50S02U02-40M006	DORÉ BASE HOLDER	3

DFK Cab, s.r.o. Za Olšavkou 391, Uherské Hradiště 686 01 Czech republic Tel: +420 572 520 061,3 Fax: +420 572 520 071 E-mail: gfk@dfk.cz www.dfk.cz www.forkliftcabs.eu www.forkliftcabs.com

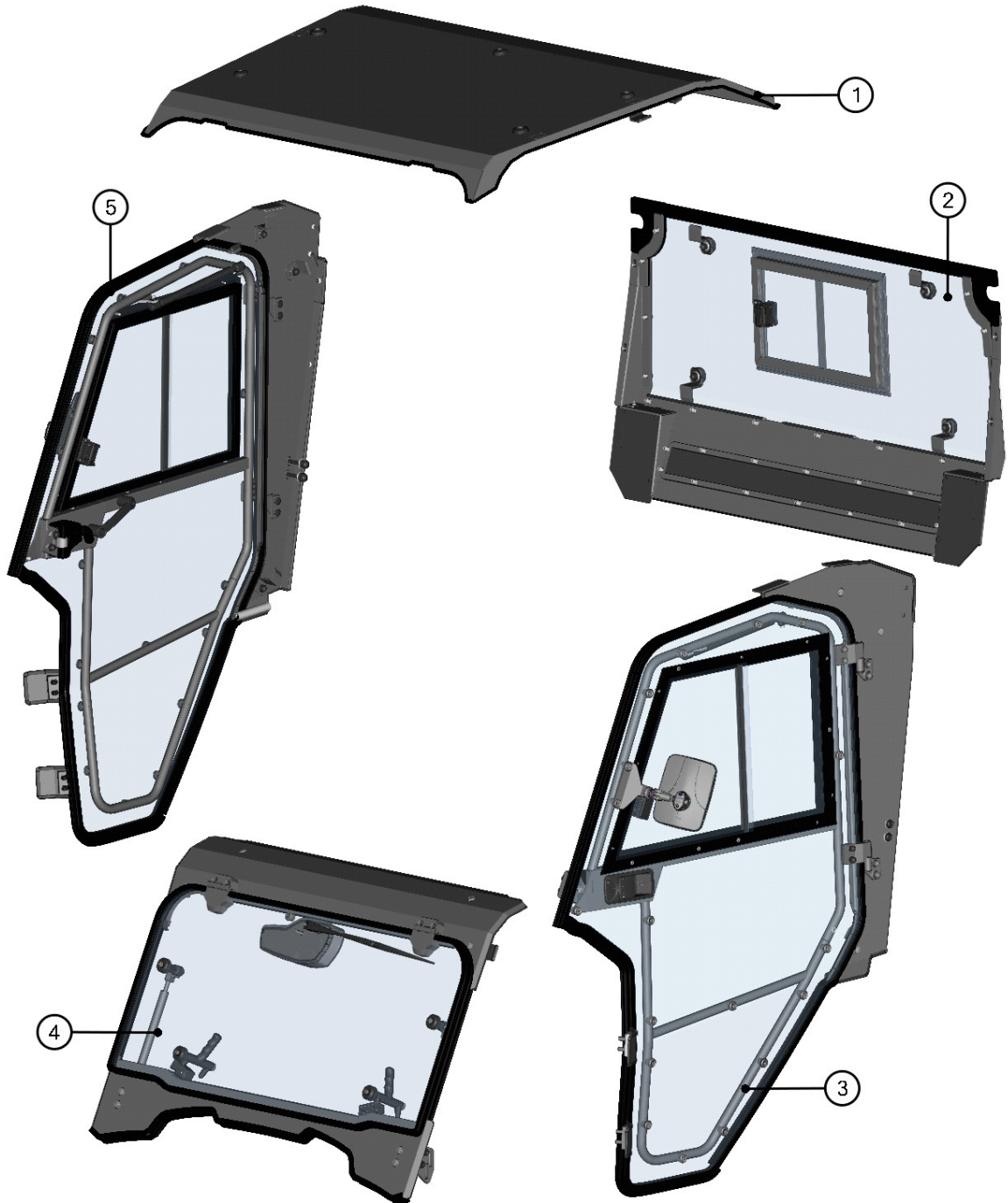
3

CAB PREVIEW



4

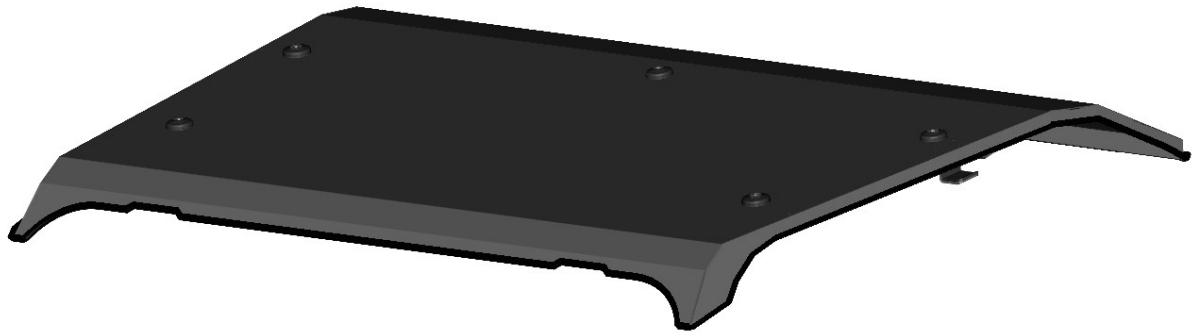
CAB PANELS



5

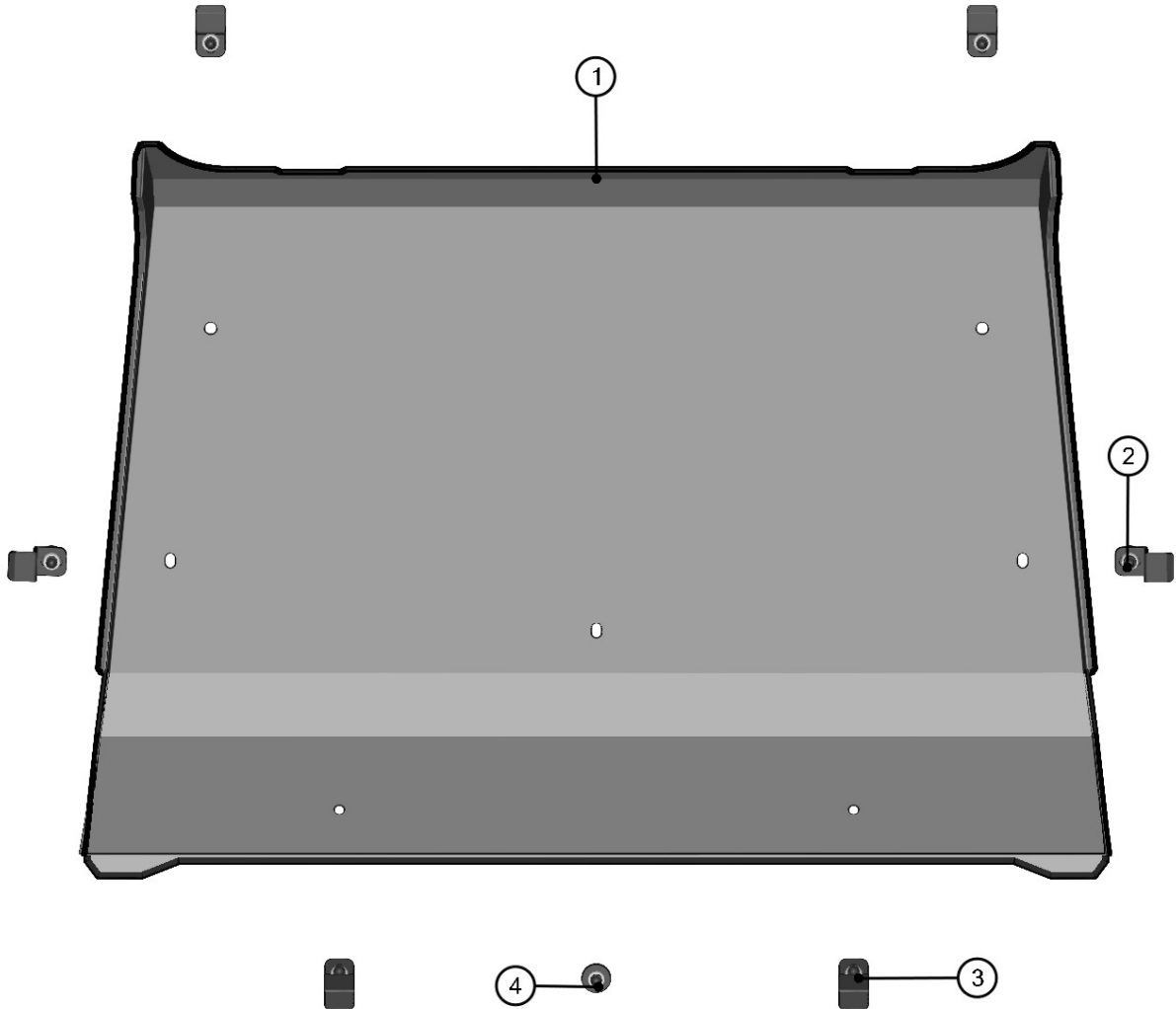
ID	Catalogue no.	Description	Qty	Page
1	50S02U04S30	ROOF PANEL	1	7
2	50S02U04S20	REAR PANEL	1	12
3	50S02U04S40	LEFT DOOR	1	21
4	50S02U04S10	FRONT PANEL	1	33
5	50S02U04S50	RIGHT DOOR	1	47

ROOF PANEL



6

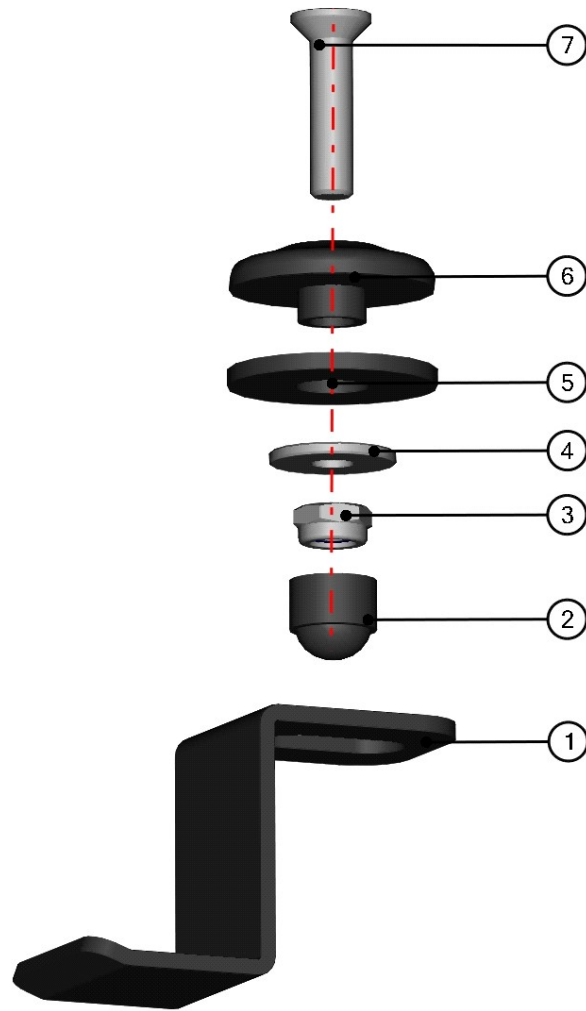
ROOF PANEL ASSEMBLIES



7

ID	Catalogue no.	Description	Qty
1	50S02U04-30M002	ROOF PANEL ASSEMBLY	1
2	50S02U04-30M003	FRONT ROOF PANEL HOLDER ASSEMBLY	4
3	50S02U04-30M004	REAR ROOF PANEL HOLDER ASSEMBLY	2
4	00-00M001	FIXING ASSEMBLY	1

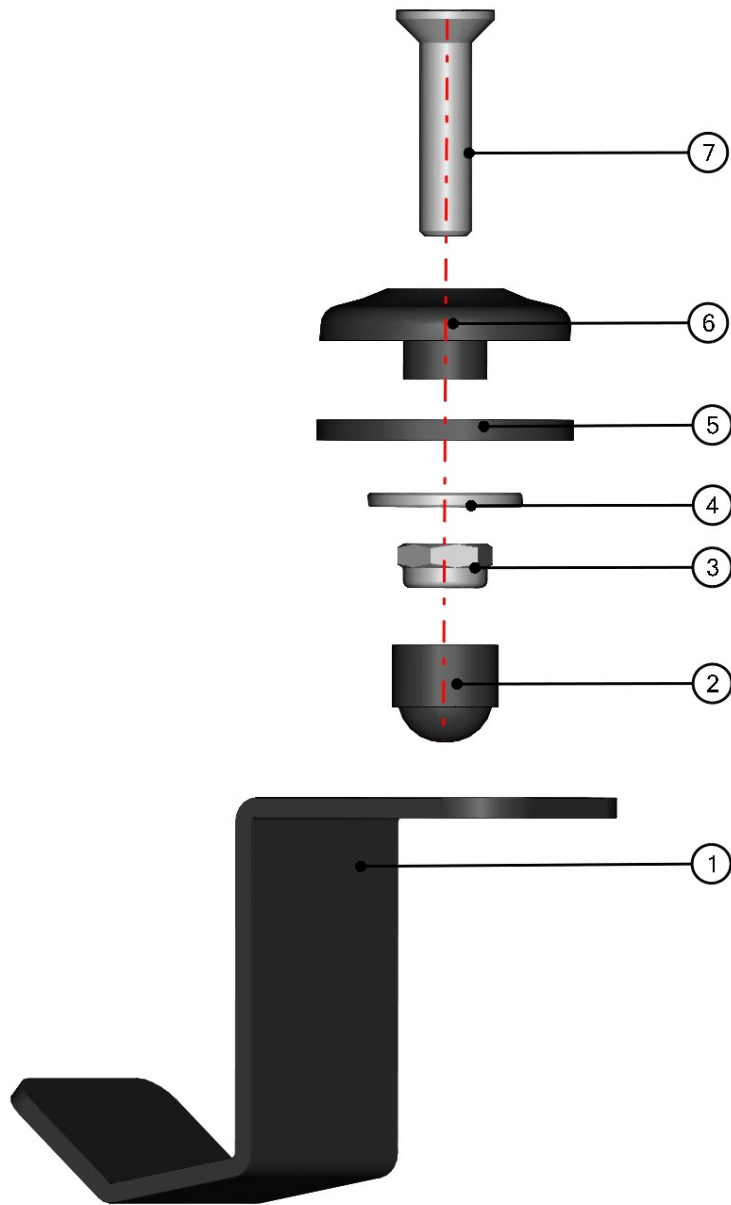
FRONT ROOF PANEL HOLDER ASSEMBLY



8

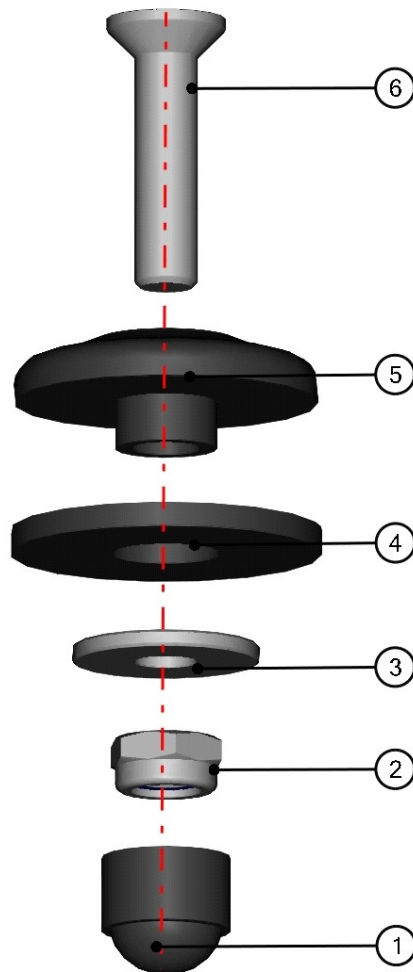
ID	Catalogue no.	Description	Qty
1	50S02U04-30-003	FRONT ROOF PANEL HOLDER	1
2	001309	PLASTIC NUT COVER OK 13	1
3	001388	SELF-LOCKING NUT M8	1
4	001407	RIVET WASHER 8	1
5	001428	RUBBER WASHER	1
6	001429	PLASTIC NOG	1
7	001760	SCREW M8x35	1

REAR ROOF PANEL HOLDER ASSEMBLY



ID	Catalogue no.	Description	Qty
1	50S02U04-30-004	REAR ROOF PANEL HOLDER	1
2	001309	PLASTIC NUT COVER OK 13	1
3	001388	SELF-LOCKING NUT M8	1
4	001407	RIVET WASHER 8	1
5	001428	RUBBER WASHER	1
6	001429	PLASTIC NOG	1
7	001760	SCREW M8x35	1

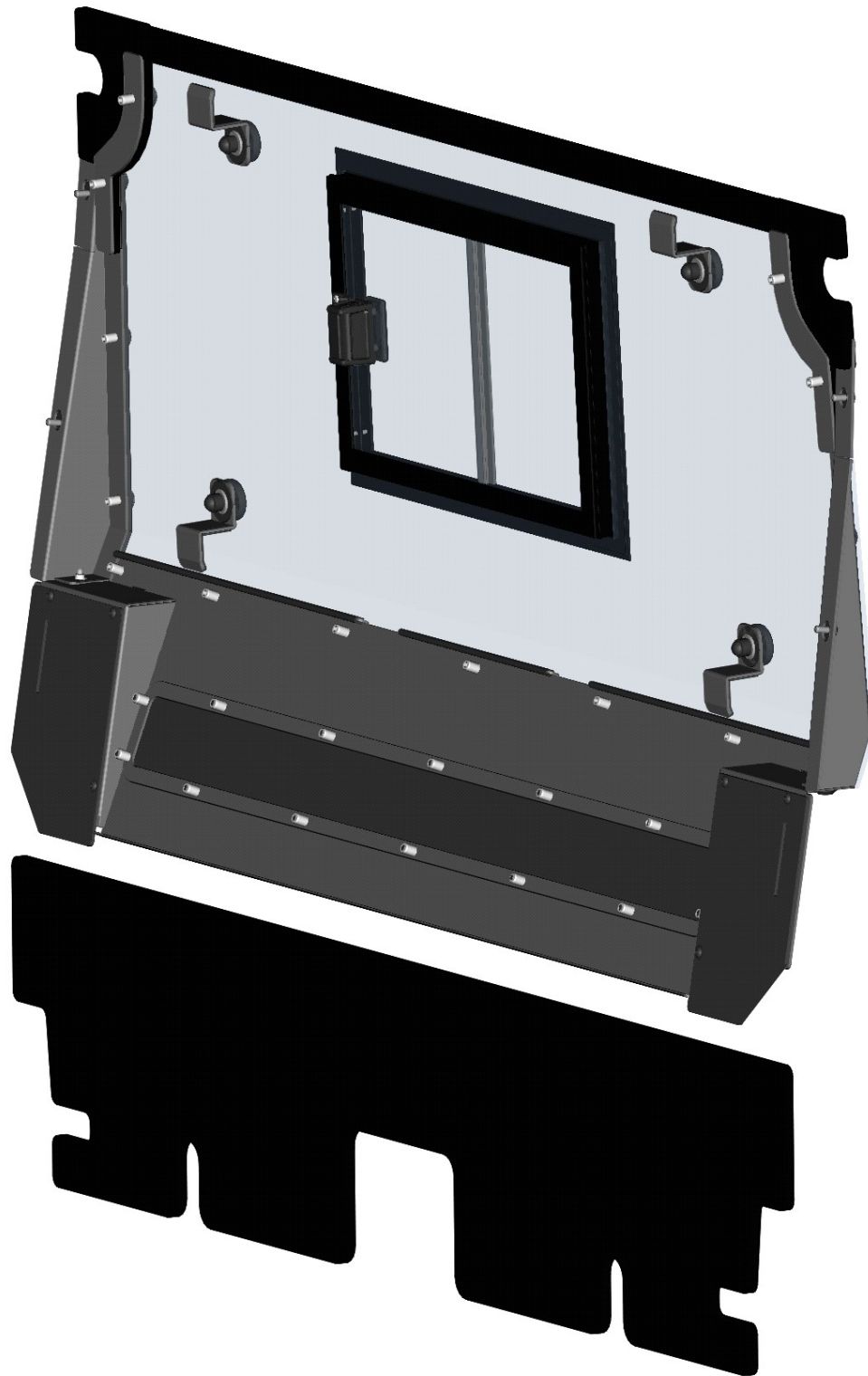
FIXING ASSEMBLY



10

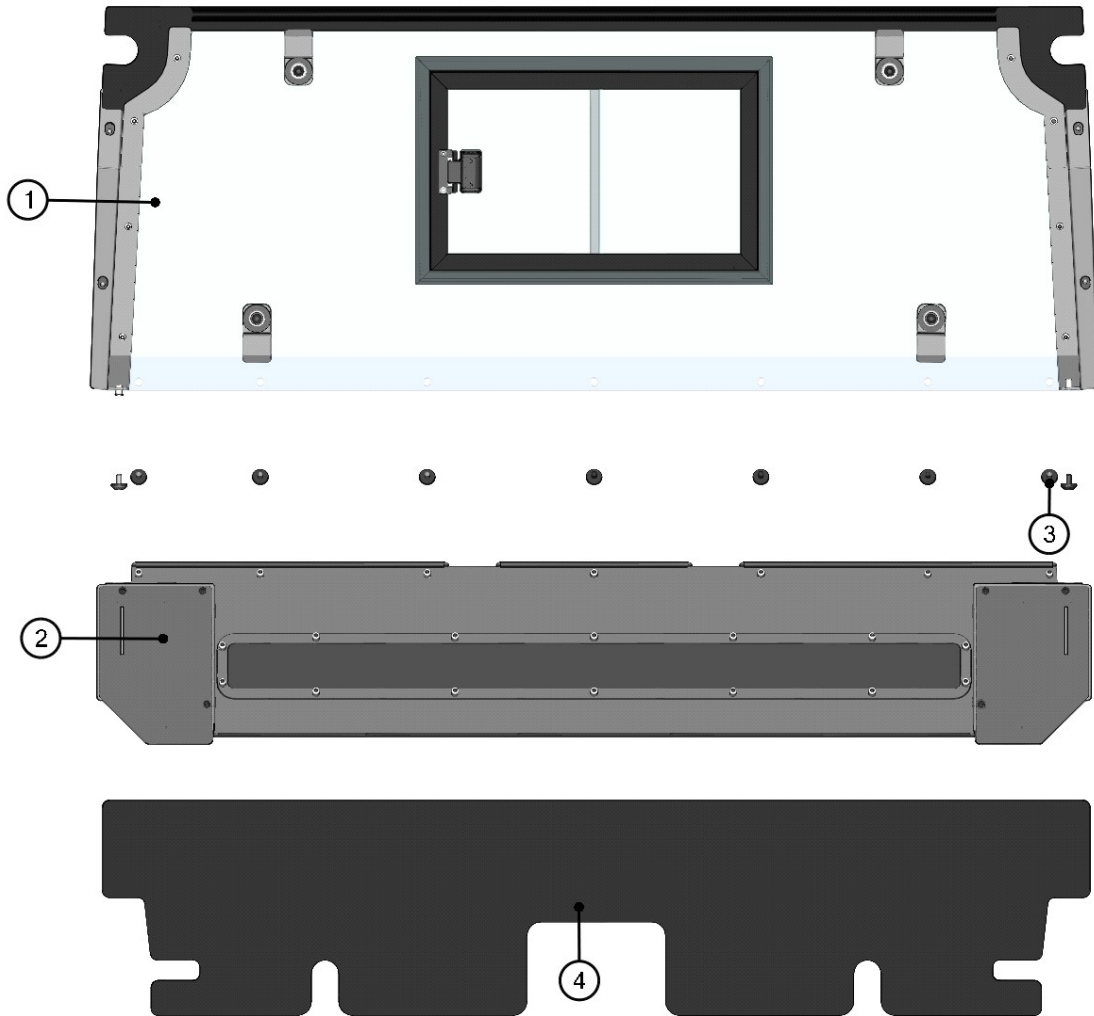
ID	Catalogue no.	Description	Qty
1	001309	PLASTIC NUT COVER OK 13	1
2	001388	SELF-LOCKING NUT M8	1
3	001407	RIVET WASHER 8	1
4	001428	RUBBER WASHER	1
5	001429	PLASTIC NOG	1
6	001760	SCREW M8x35	1

REAR PANEL



11

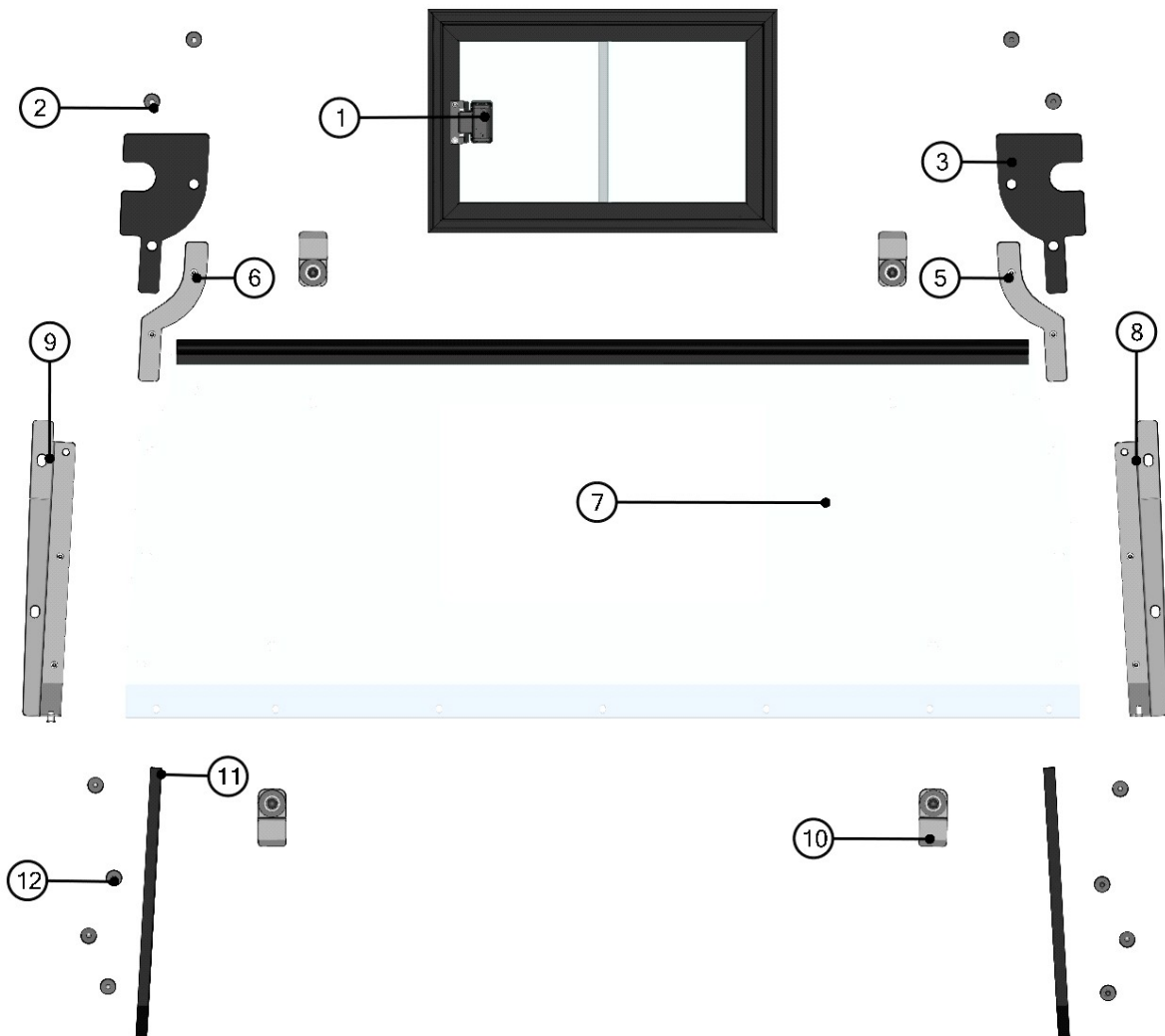
REAR PANEL ASSEMBLIES



12

ID	Catalogue no.	Description	Qty
1	50S02U04-20M053	UPPER REAR PANEL ASSEMBLY	1
2	50S02U04-20M056	BOTTOM REAR PANEL ASSEMBLY	1
3	50S02U04-20M055	REAR PANEL FIXING ASSEMBLY	9
4	50S02U04-20-063	REAR PANEL EPDM	1

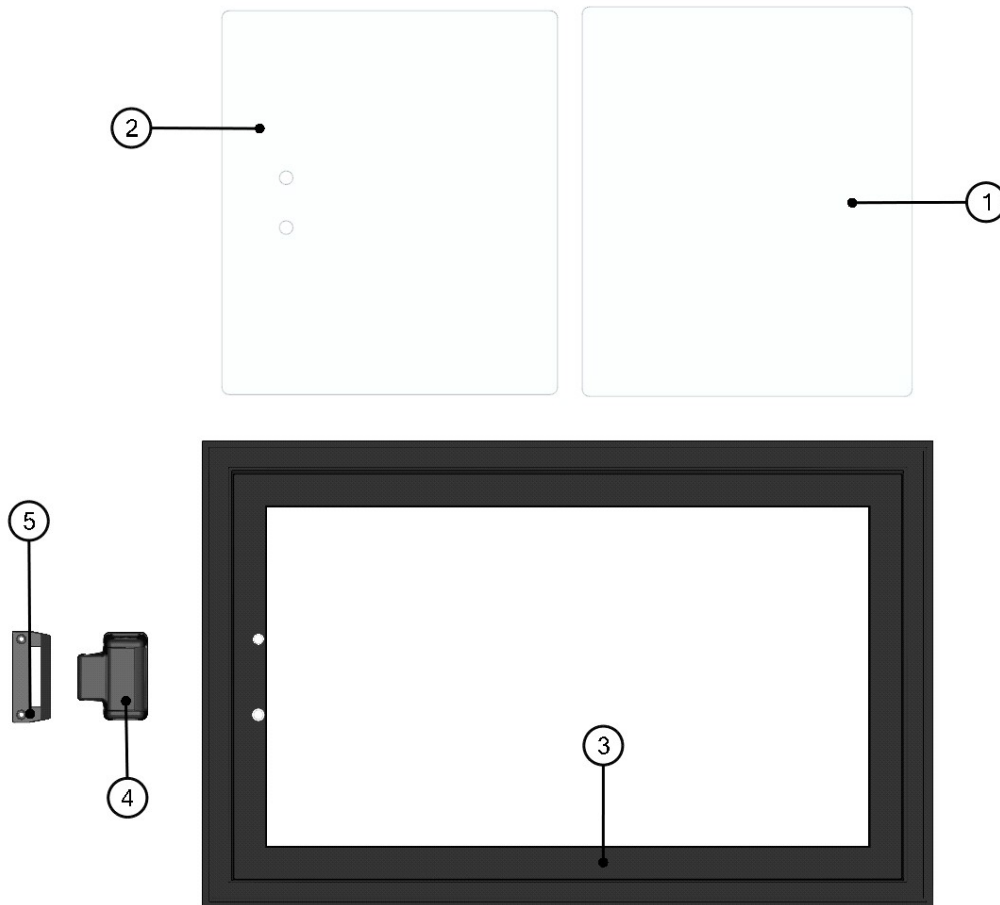
UPPER REAR PANEL ASSEMBLY



13

ID	Catalogue no.	Description	Qty
1	50S02U04-20M051	REAR PANEL WINDOW ASSEMBLY	1
2	50S02U04-20M054	REAR PANEL EPDM HOLDER FIXING ASSEMBLY	4
3	50S02U04-20-055	REAR PANEL CORNER EPDM	2
5	50S02U04-20W052	LEFT CORNER EPDM FIXING LEDGE	1
6	50S02U04-20W152	RIGHT CORNER EPDM FIXING LEDGE	1
7	50S02U04-20M052	REAR PANEL POLYCARBONATE WITH SEALING	1
8	50S02U04-20W051	LEFT REAR PANEL LEDGE WELDED	1
9	50S02U04-20W151	RIGHT REAR PANEL LEDGE WELDED	1
10	50S02U04-20M058	REAR PANEL HOLDER ASSEMBLY	4
11	001771^50S02U04-20M053	RUBBER SEALING KR 15x4	1
12	50S02U04-20M055	REAR PANEL FIXING ASSEMBLY	8

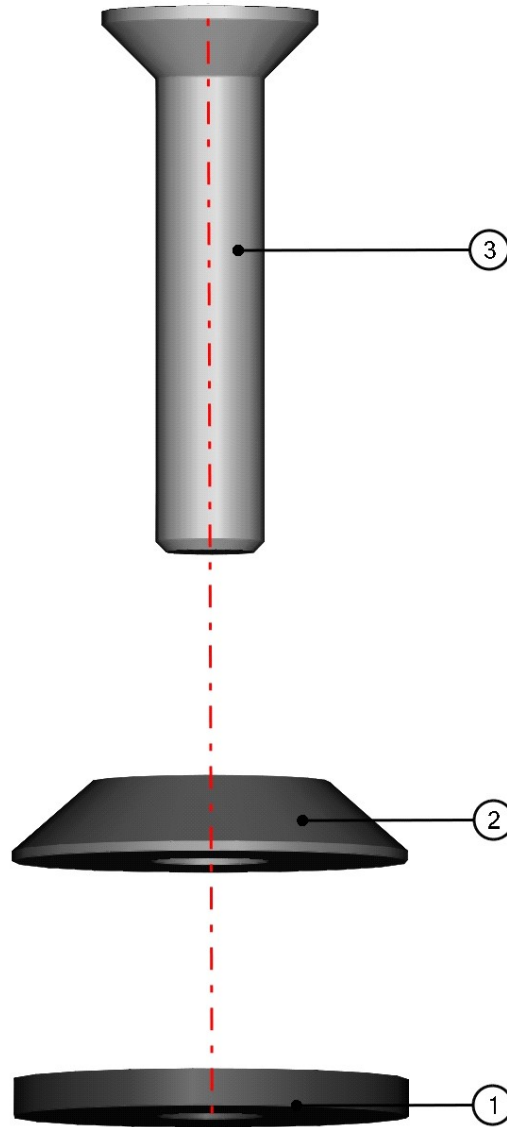
REAR PANEL WINDOW ASSEMBLY



14

ID	Catalogue no.	Description	Qty
1	50S02U04-20-051	REAR PANEL WINDOW POLYCARBONATE	1
2	50S02U04-20-052	REAR PANEL WINDOW GLASS	1
3	50S02U04-20-053	REAR PANEL WINDOW FRAME	1
4	00-40M017	WINDOW LOCK	1
5	001762	WINDOW STOP	1

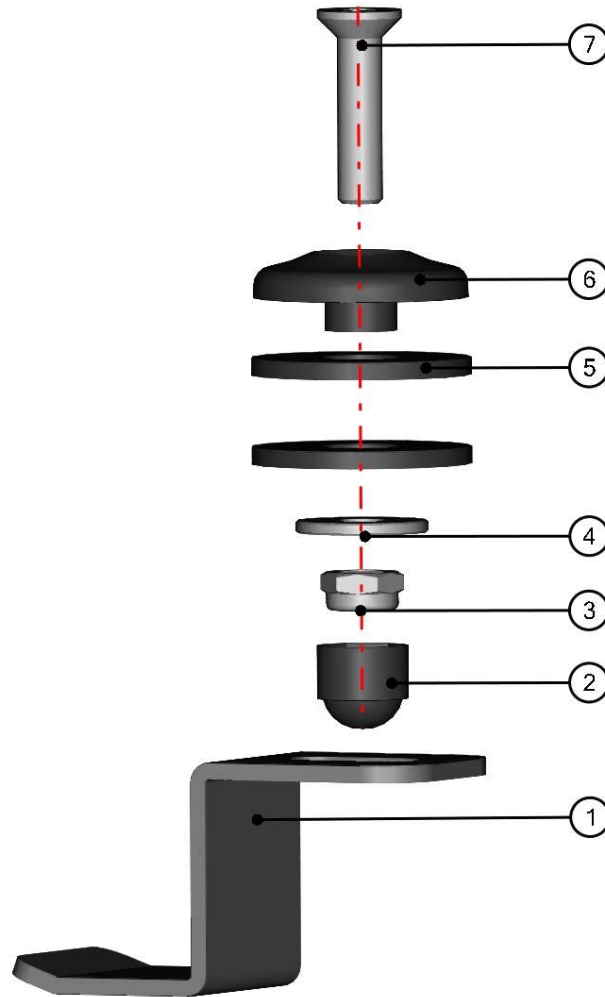
REAR PANEL EPDM HOLDER FIXING ASSEMBLY



15

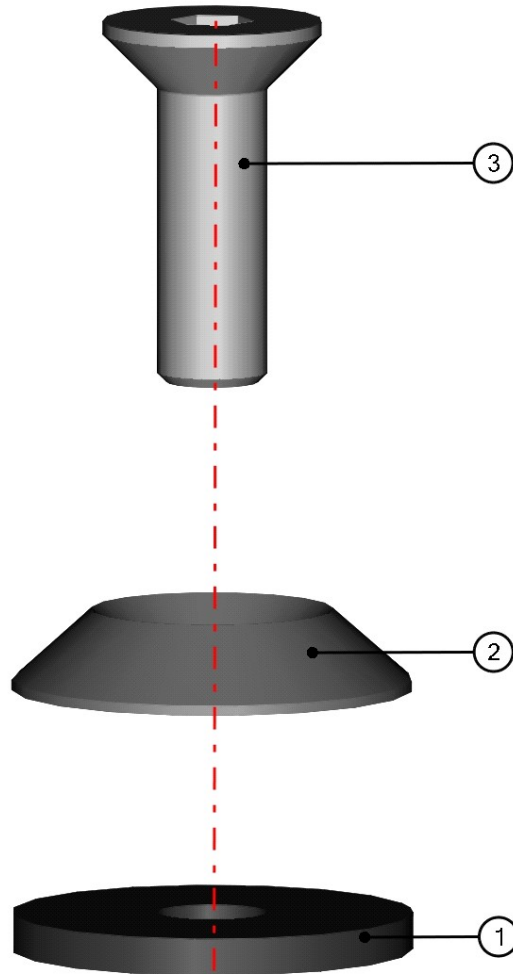
ID	Catalogue no.	Description	Qty
1	001735	RUBBER WASHER	1
2	001715	PLASTIC WASHER	1
3	001701	SCREW M6x30	1

REAR PANEL HOLDER ASSEMBLY



ID	Catalogue no.	Description	Qty
1	00-101U-003	REAR PANEL HOLDER	1
2	001309	PLASTIC NUT COVER OK 13	1
3	001388	SELF-LOCKING NUT M8	1
4	001407	RIVET WASHER 8	1
5	001428	RUBBER WASHER	2
6	001429	PLASTIC NOG	1
7	001760	SCREW M8x35	1

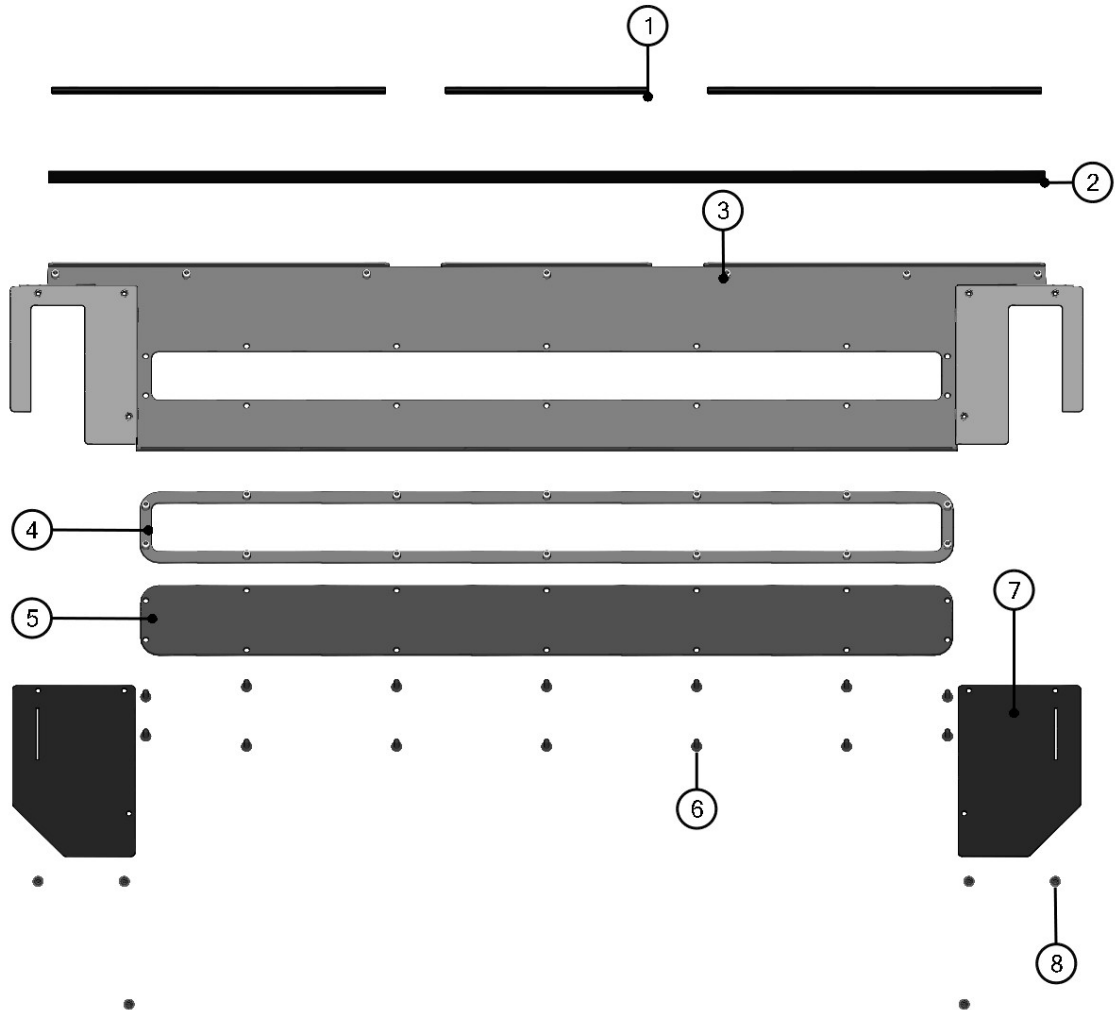
REAR PANEL FIXING ASSEMBLY



17

ID	Catalogue no.	Description	Qty
1	001735	RUBBER WASHER	1
2	001715	PLASTIC WASHER	1
3	001761	SCREW M6x20	1

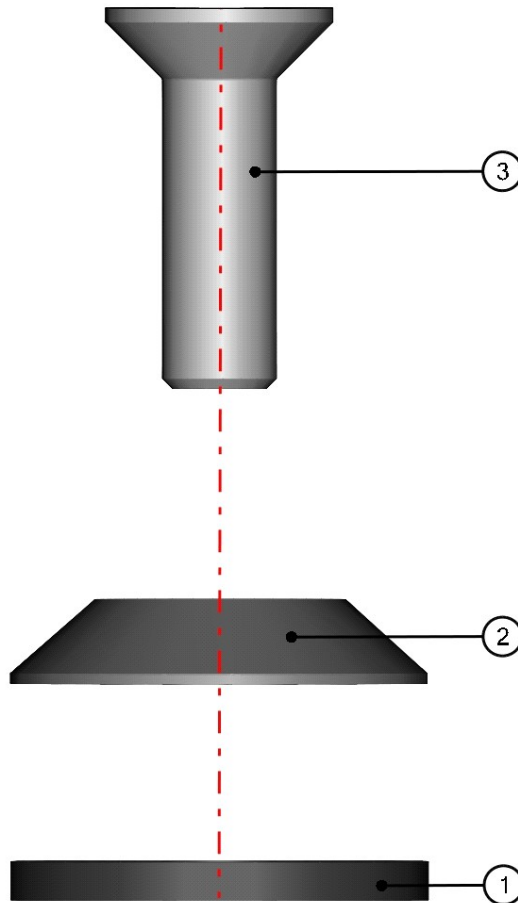
BOTTOM REAR PANEL ASSEMBLY



18

ID	Catalogue no.	Description	Qty
1	001001^50S02U04-20M057	RUBBER PROFILE "LEMOVKA"	1
2	001771^50S02U04-20M057	RUBBER SEALING KR 15x4	1
3	50S02U04-20W053	REAR BOTTOM PANEL WELDED	1
4	50S02U04-20W054	REAR PANEL RUBBER FIXING LEDGE WELDED	1
5	50S02U04-20-065	REAR PANEL RUBBER	1
6	002192	SCREW M6x20	14
7	50S02U04-20-059	REAR PANEL CORNER SEALING RUBBER	2
8	004386	SCREW M6x8	6

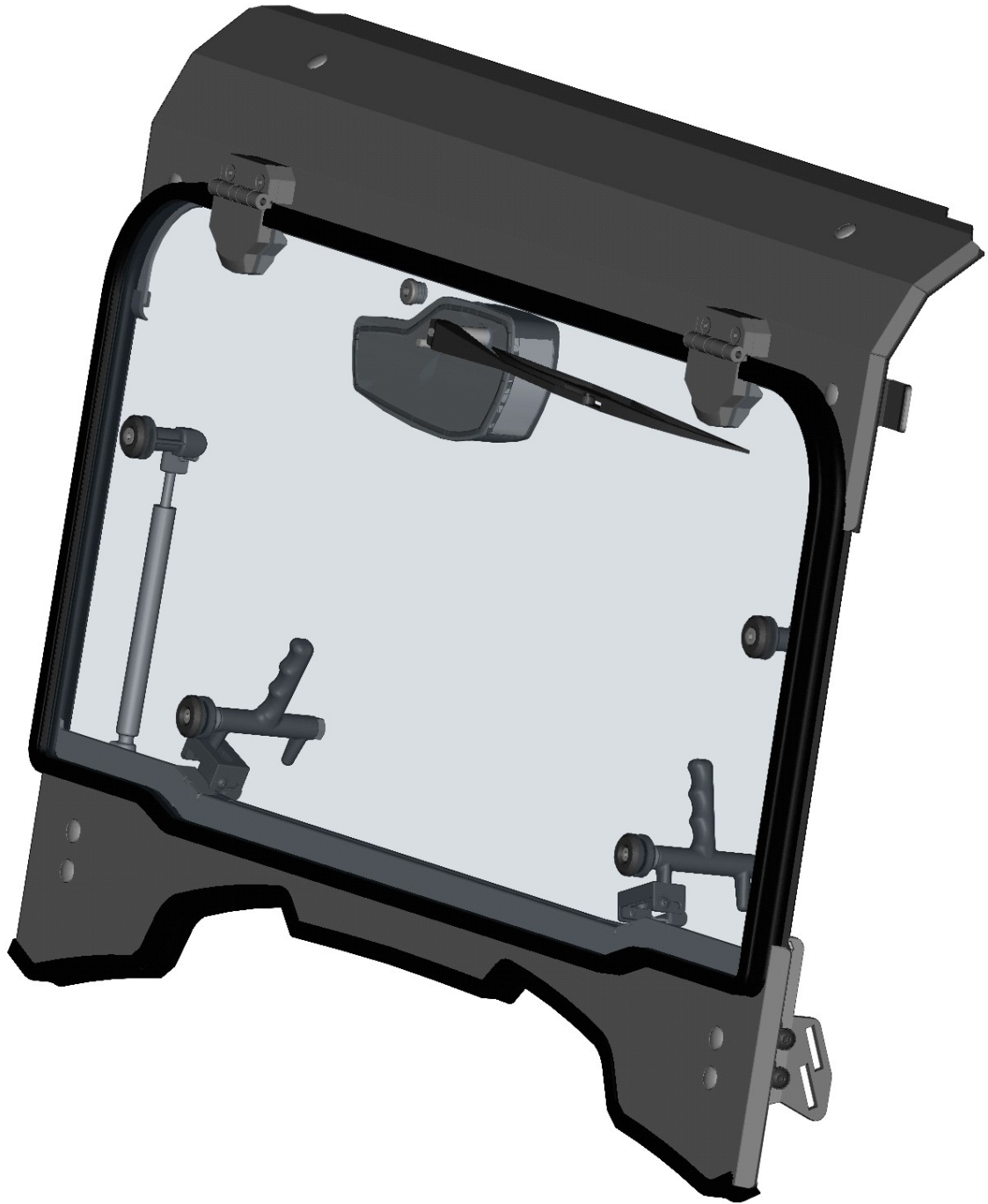
REAR PANEL FIXING ASSEMBLY



19

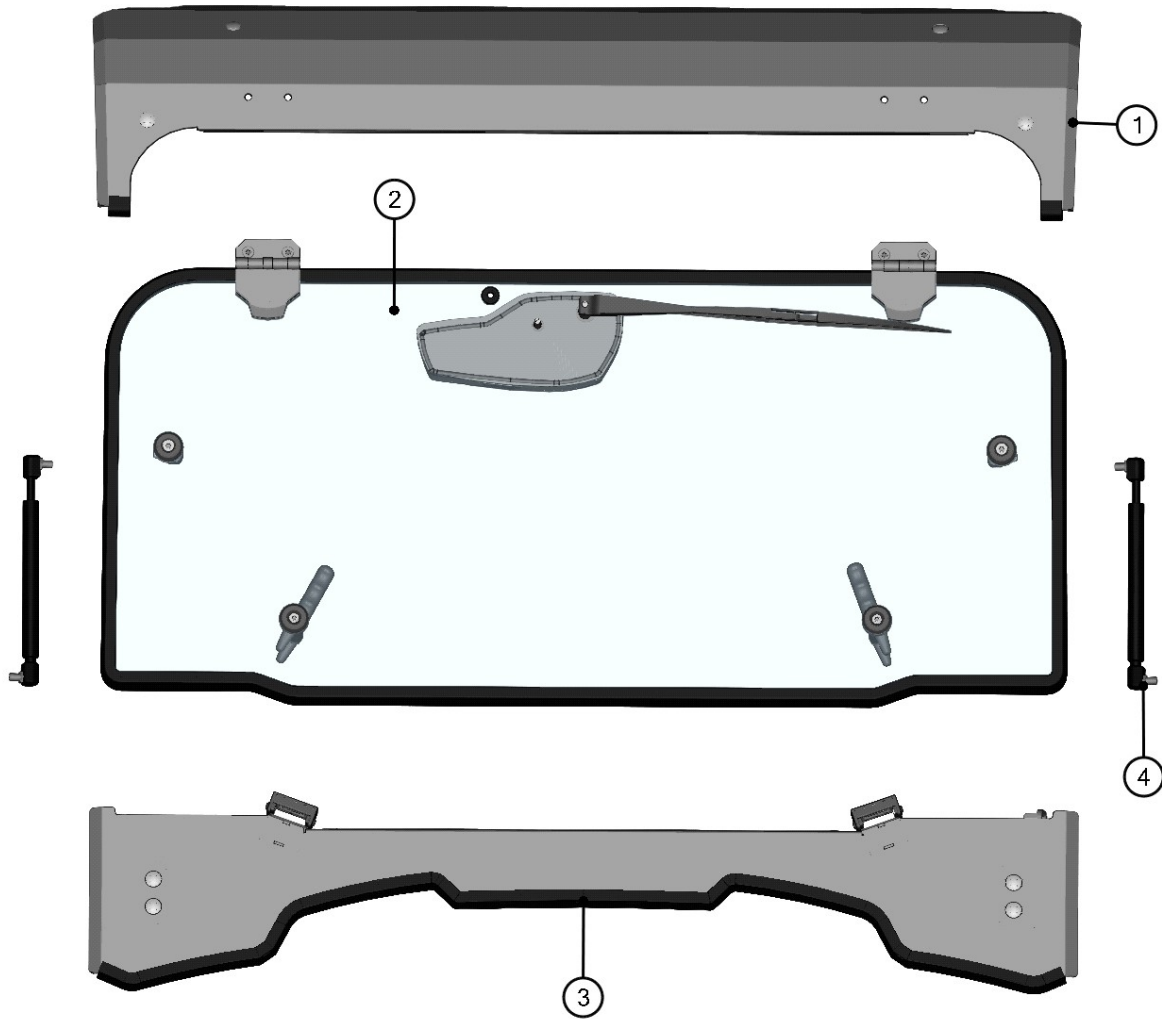
ID	Catalogue no.	Description	Qty
1	001735	RUBBER WASHER	1
2	001715	PLASTIC WASHER	1
3	001761	SCREW M6x20	1

FRONT PANEL



20

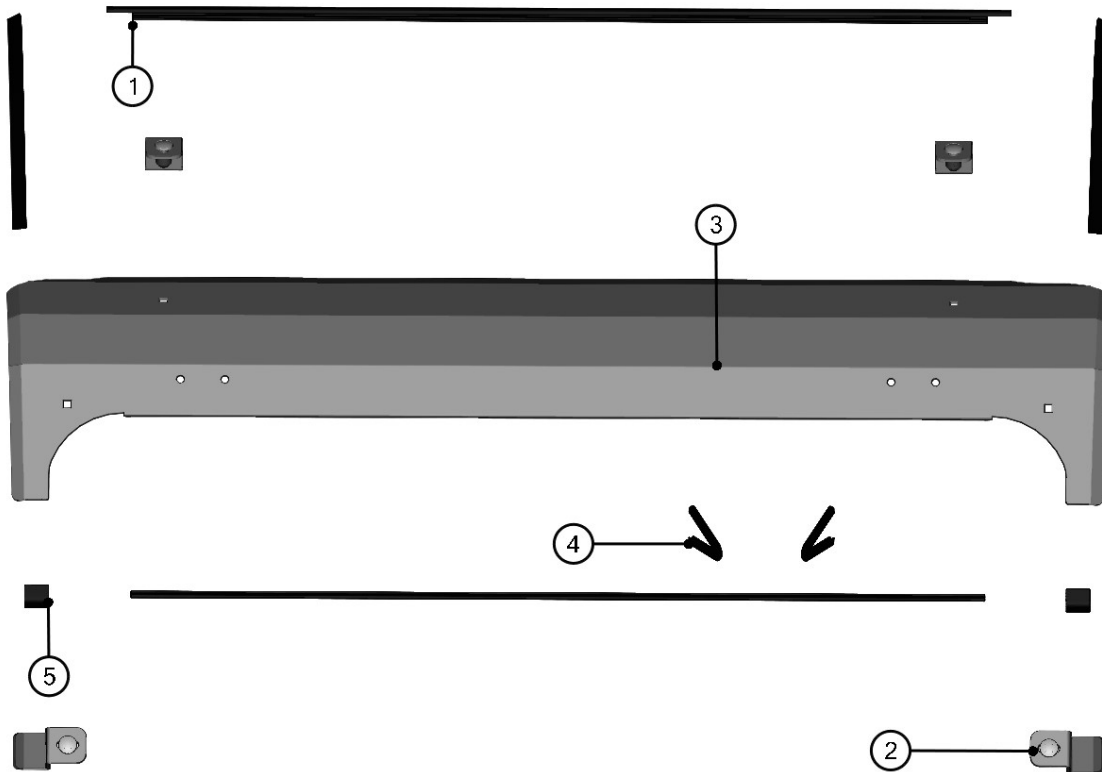
FRONT PANEL ASSEMBLIES



21

ID	Catalogue no.	Description	Qty
1	50S02U04-10M005	FRONT UPPER LEDGE ASSEMBLY	1
2	50S02U04-10M006	FRONT GLASS ASSEMBLY	1
3	50S02U04-10M002	FRONT BOTTOM LEDGE ASSEMBLY	1
4	000865	GAS SPRING ASSEMBLY	2

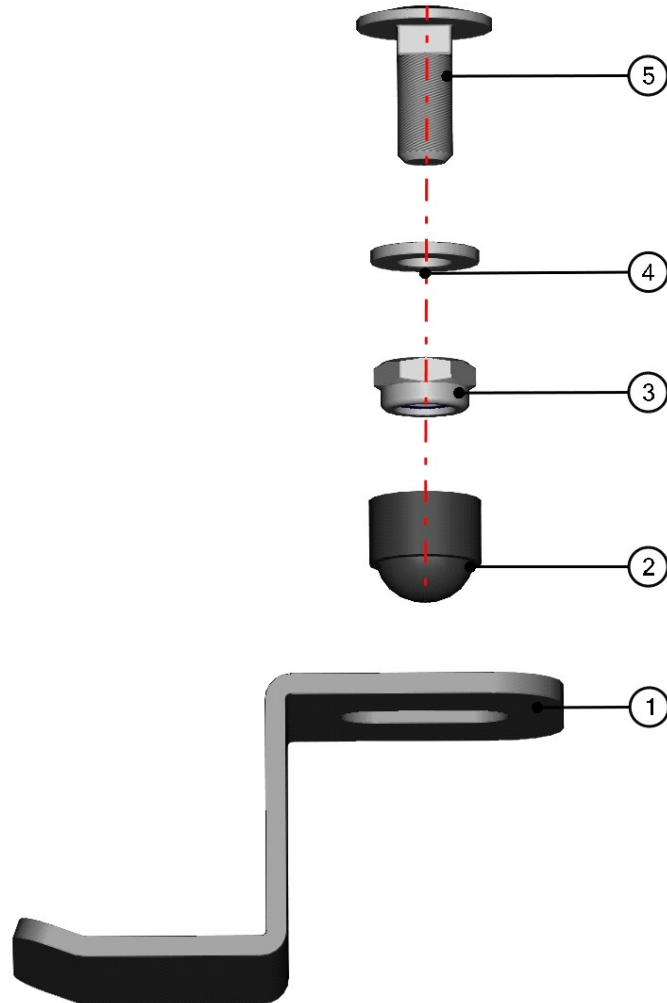
FRONT UPPER LEDGE ASSEMBLY



22

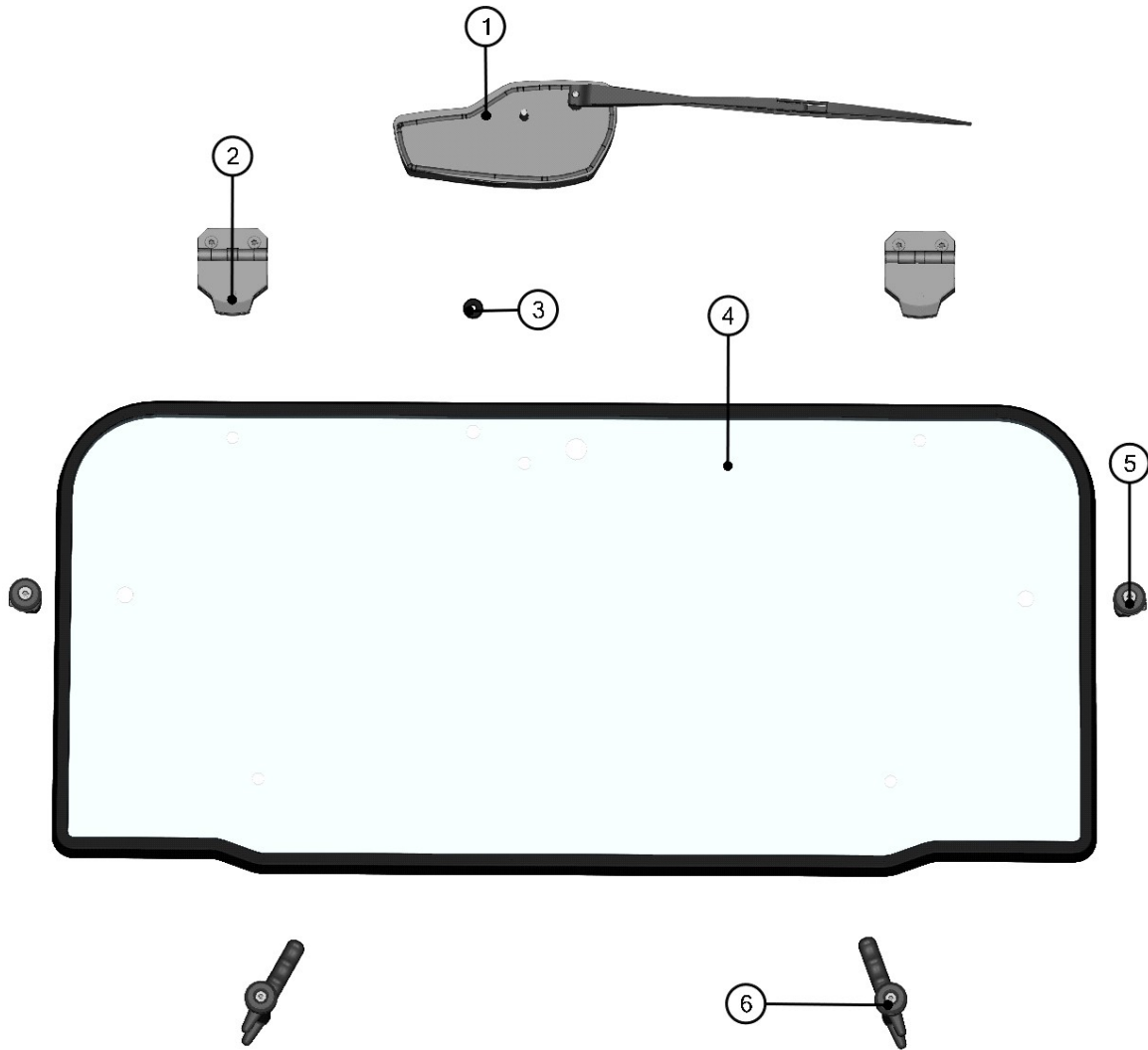
ID	Catalogue no.	Description	Qty
1	001771^50S02U04-10M009	RUBBER SEALING KR 15x4	1
2	50S02U04-10M010	FRONT UPPER LEDGE HOLDER ASSEMBLY	4
3	50S02U04-10W004	FRONT UPPER LEDGE WELDED	1
4	001001^50S02U04-10M009	RUBBER PROFILE "LEMOVKA"	1
5	004332^50S02U04-10M009	RUBBER PROFILE "PIRELA"	1

FRONT UPPER LEDGE HOLDER ASSEMBLY



ID	Catalogue no.	Description	Qty
1	00-101U-003	FRONT UPPER LEDGE HOLDER	1
2	001309	PLASTIC NUT COVER OK 13	1
3	001388	SELF-LOCKING NUT M8	1
4	001387	WASHER 8	1
5	002575	SCREW M8x20	1

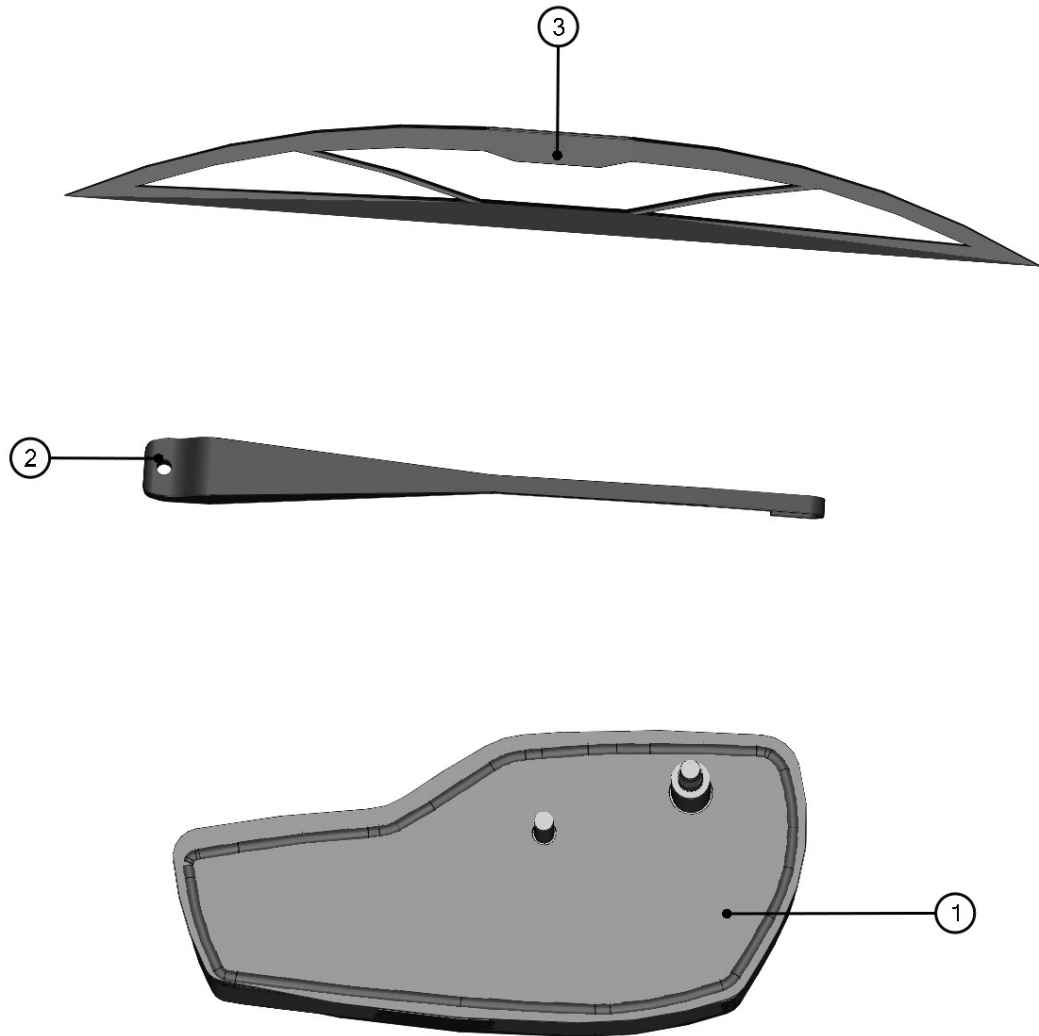
FRONT GLASS ASSEMBLY



24

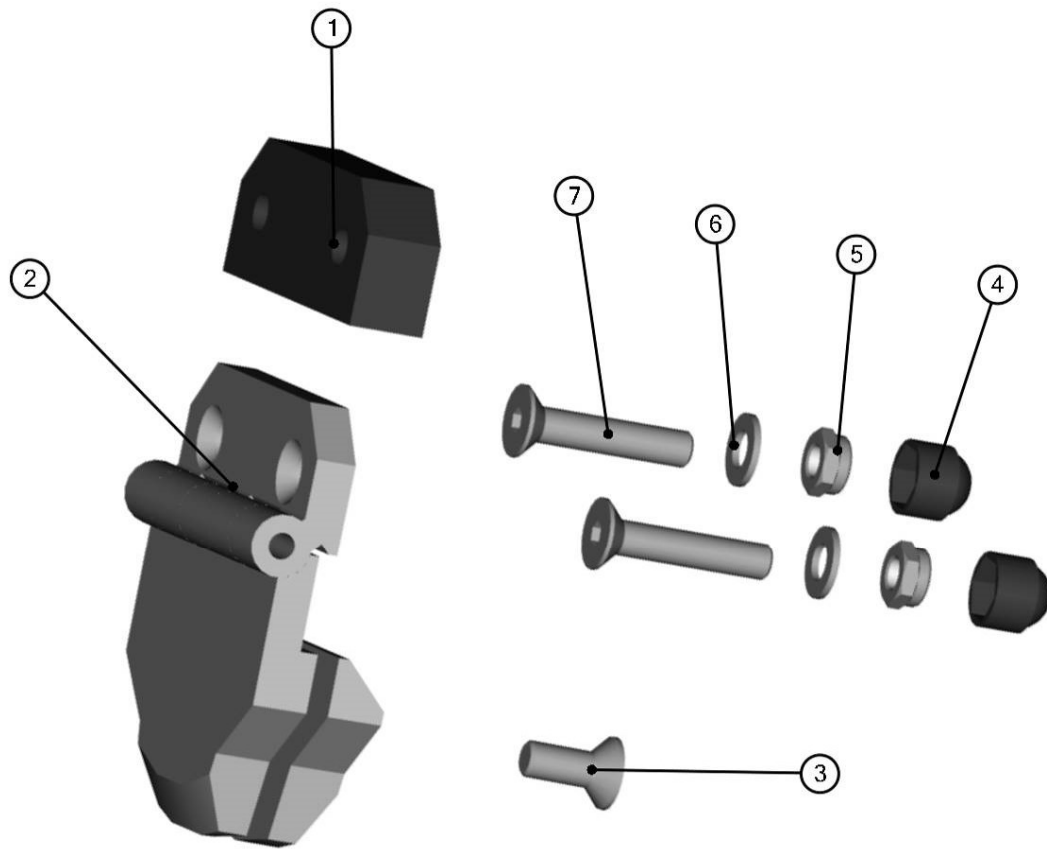
ID	Catalogue no.	Description	Qty
1	50S02U04-10M004	WIPER ASSEMBLY	1
2	00-10M012	FRONT GLASS HINGE ASSEMBLY	2
3	00-01-005	RUBBER GROMMET	1
4	50S02U04-10M001	FRONT GLASS WITH SEALING	1
5	00-20M005	GAS SPRING HOLDER ASSEMBLY	2
6	00-10M026	FRONT GLASS LOCK ASSEMBLY	2

WIPER ASSEMBLY



ID	Catalogue no.	Description	Qty
1	00-10M005	WIPER MOTOR	1
2	002536	WIPER ARM	1
3	002538	WIPER BLADE	1

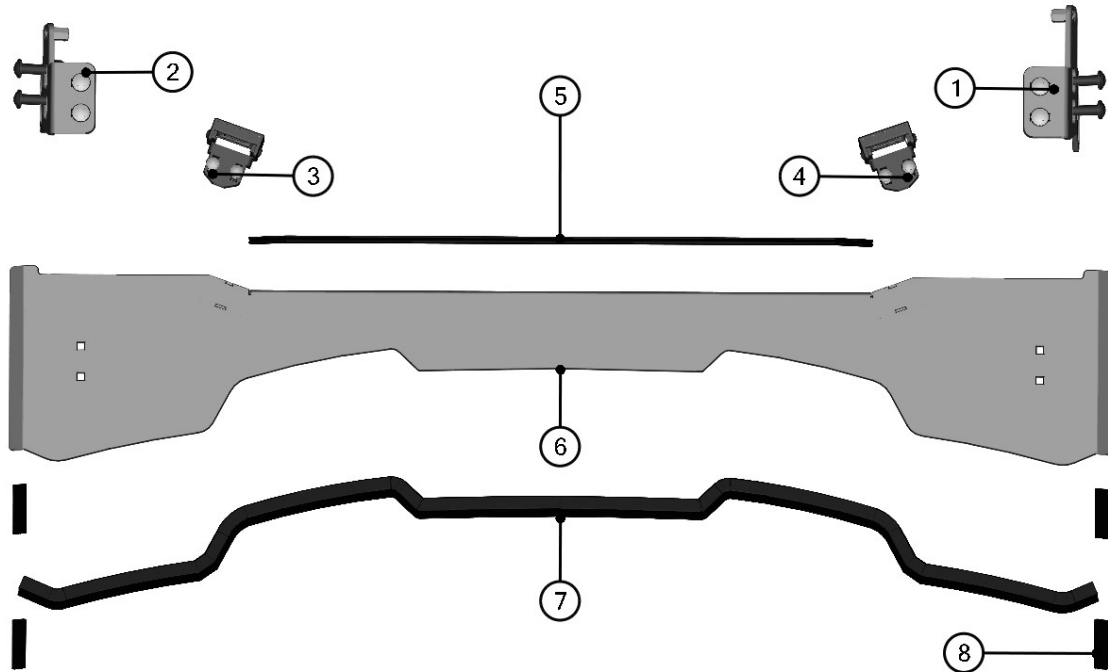
FRONT GLASS HINGE ASSEMBLY



26

ID	Catalogue no.	Description	Qty
1	000863	PLASTIC WASHER	1
2	000862	HINGE ASSEMBLY	1
3	002784	SCREW M8x20	1
4	001309	PLASTIC COVER OK 13	2
5	001388	SELF-LOCKING NUT M8	2
6	001387	WASHER 8	2
7	002607	SCREW M8x40	2

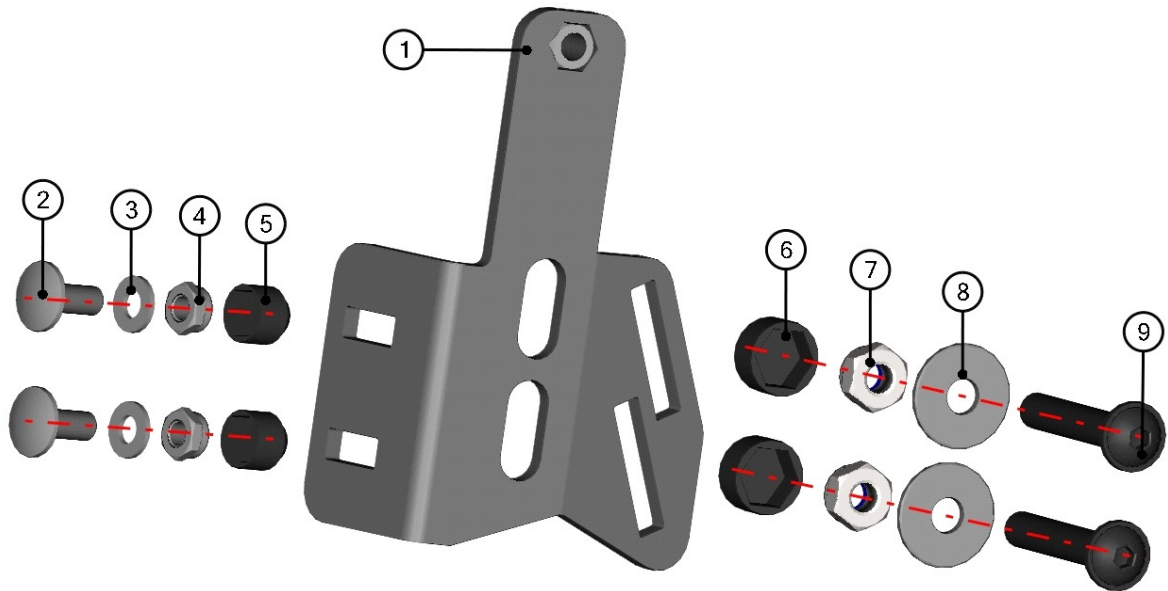
FRONT BOTTOM LEDGE ASSEMBLY



27

ID	Catalogue no.	Description	Qty
1	50S02U04-10M008	LEFT FRONT BOTTOM LEDGE HOLDER ASSEMBLY	1
2	50S02U04-10M108	RIGHT FRONT BOTTOM LEDGE HOLDER ASSEMBLY	1
3	32S04U05-10M008	RIGHT FRONT GLASS STOP	1
4	32S04U05-10M005	LEFT FRONT GLASS STOP	1
5	001001^50S02U04-10M003	RUBBER PROFILE "LEMOVKA"	1
6	50S02U04-10W002	FRONT BOTTOM LEDGE WELDED	1
7	002454^50S02U04-10M003	RUBBER PROFILE "SARAZIN"	1
8	001771^50S02U04-10M003	RUBBER SEALING KR 15x4	1

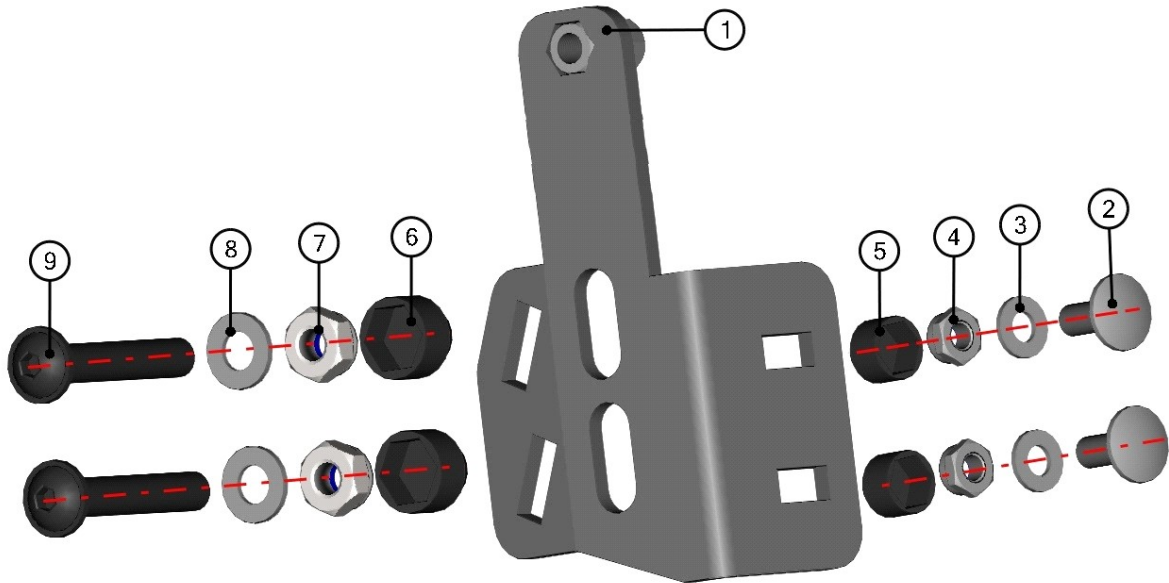
LEFT FRONT BOTTOM LEDGE HOLDER ASSEMBLY



28

ID	Catalogue no.	Description	Qty
1	50S02U04-10W001	LEFT FRONT BOTTOM LEDGE HOLDER WELDED	1
2	002575	SCREW M8x20	2
3	001387	WASHER 8	2
4	001388	SELF-LOCKING NUT M8	2
5	001309	PLASTIC NUT COVER OK 13	2
6	002363	PLASTIC NUT COVER OK 17	2
7	002533	SELF-LOCKING NUT M10	2
8	005393	RIVET WASHER 10	2
9	004547	SCREW M10x60	2

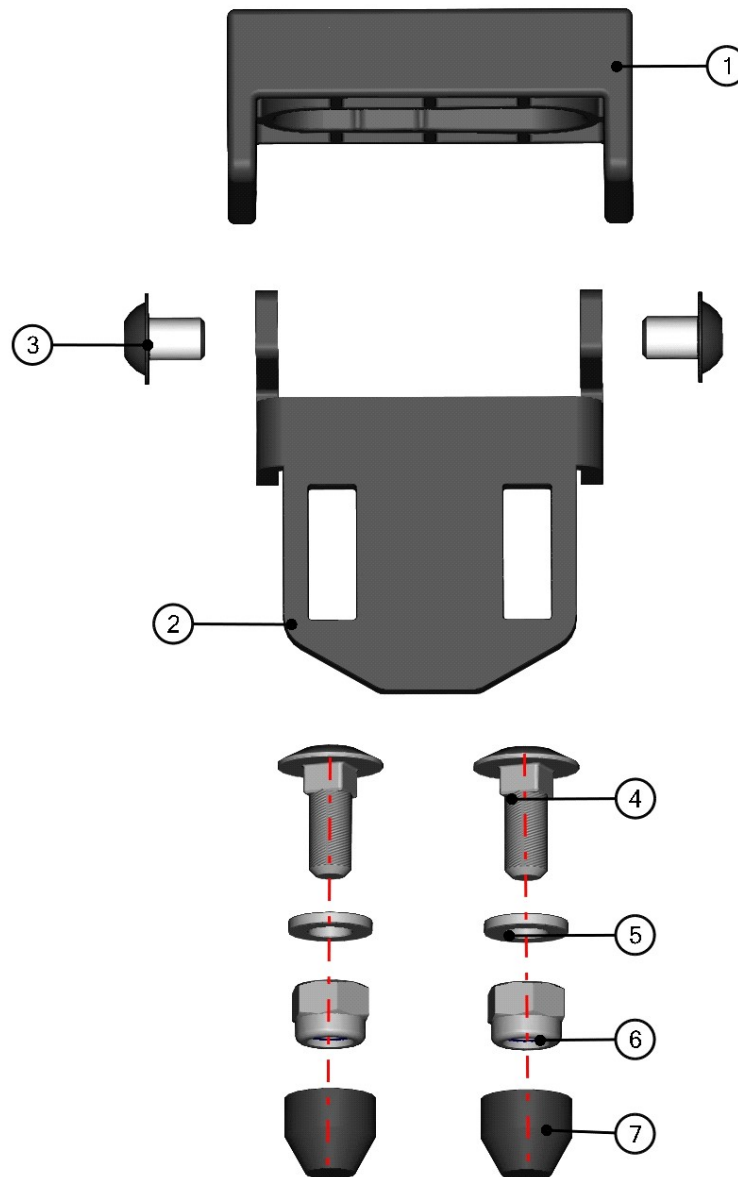
RIGHT FRONT BOTTOM LEDGE HOLDER ASSEMBLY



29

ID	Catalogue no.	Description	Qty
1	50S02U04-10W101	RIGHT FRONT BOTTOM LEDGE HOLDER WELDED	1
2	002575	SCREW M8x20	2
3	001387	WASHER 8	2
4	001388	SELF-LOCKING NUT M8	2
5	001309	PLASTIC NUT COVER OK 13	2
6	002363	PLASTIC NUT COVER OK 17	2
7	002533	SELF-LOCKING NUT M10	2
8	001485	WASHER 10	2
9	004547	SCREW M10x60	2

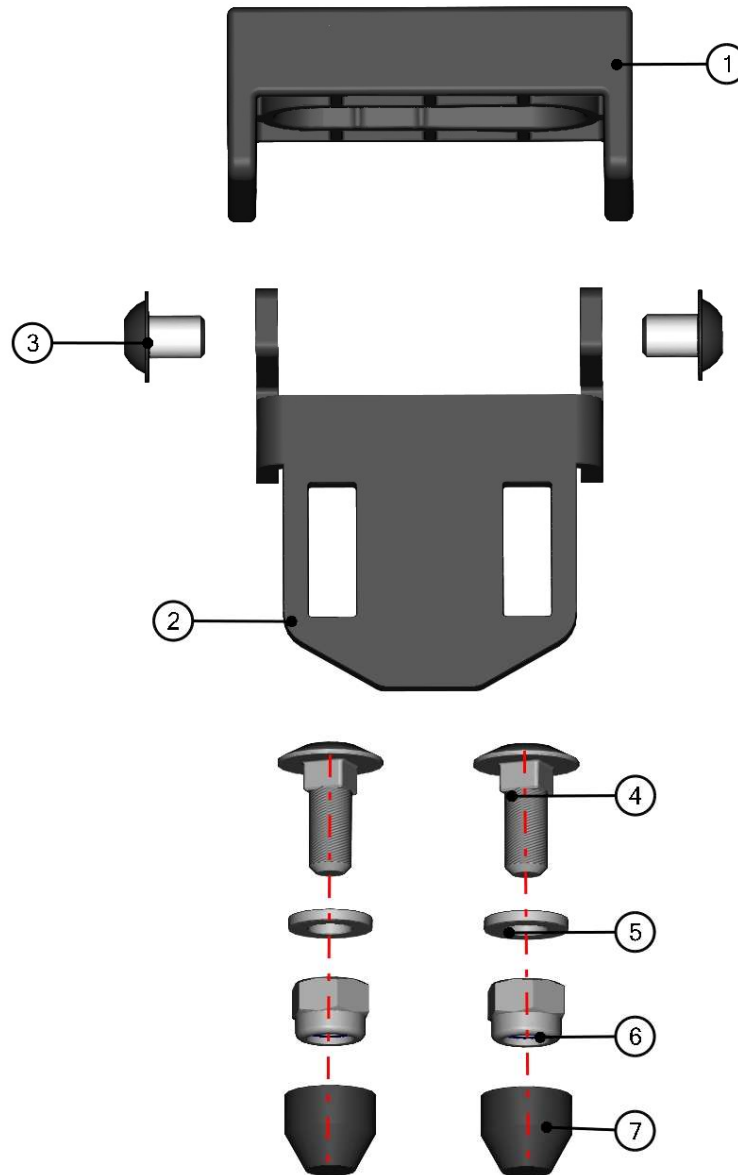
RIGHT FRONT GLASS STOP



30

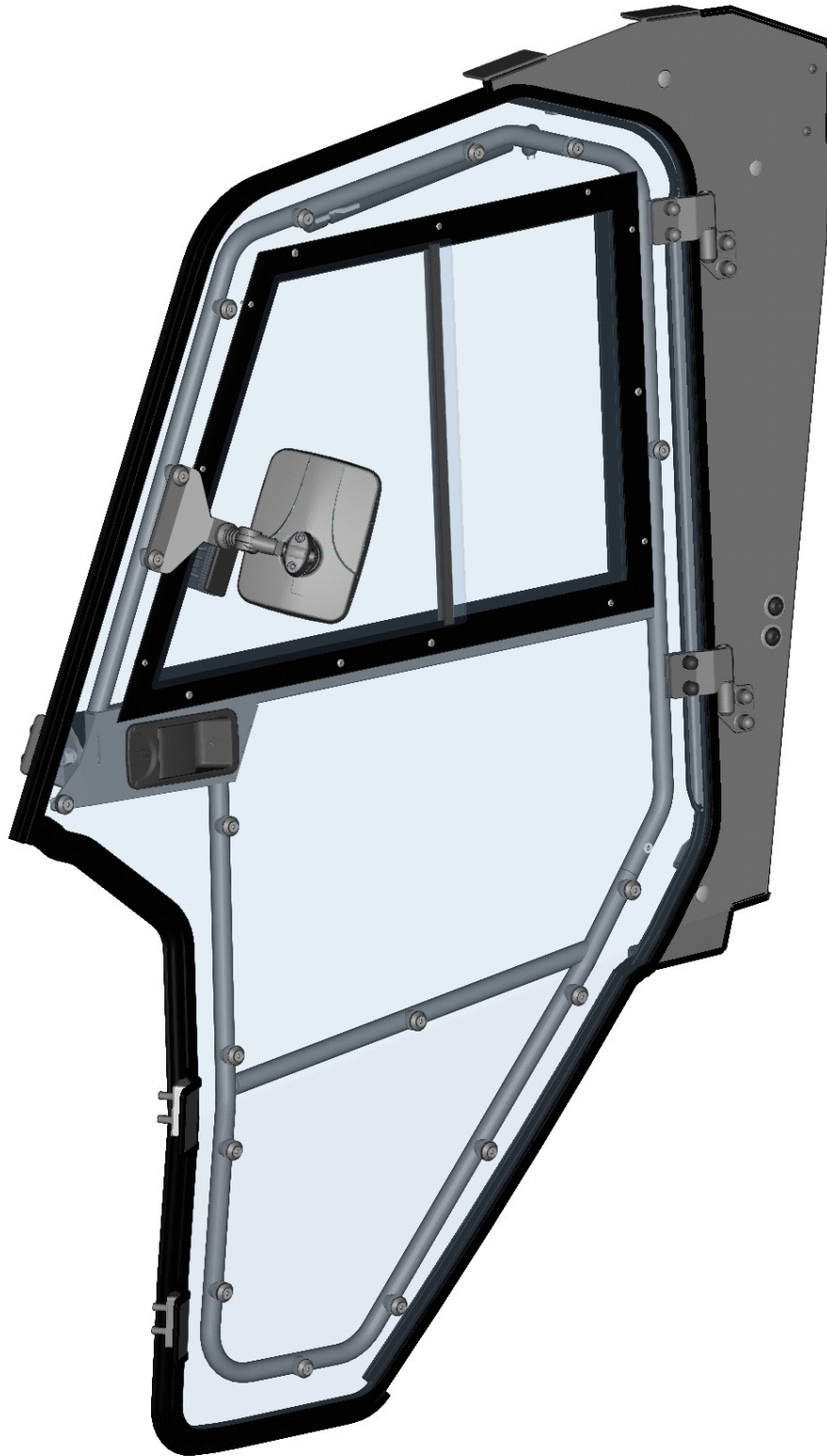
ID	Catalogue no.	Description	Qty
1	004856	PLASTIC FRONT GLASS STOP	1
2	50S02U02-10-013	FRONT GLASS STOP HOLDER	1
3	004386	SCREW M6x15	2
4	004529	SCREW M8x20	2
5	001426	WASHER 6	2
6	001392	SELF-LOCKING NUT M6	2
7	001348	PLASTIC NUT COVER OK 10	2

LEFT FRONT GLASS STOP



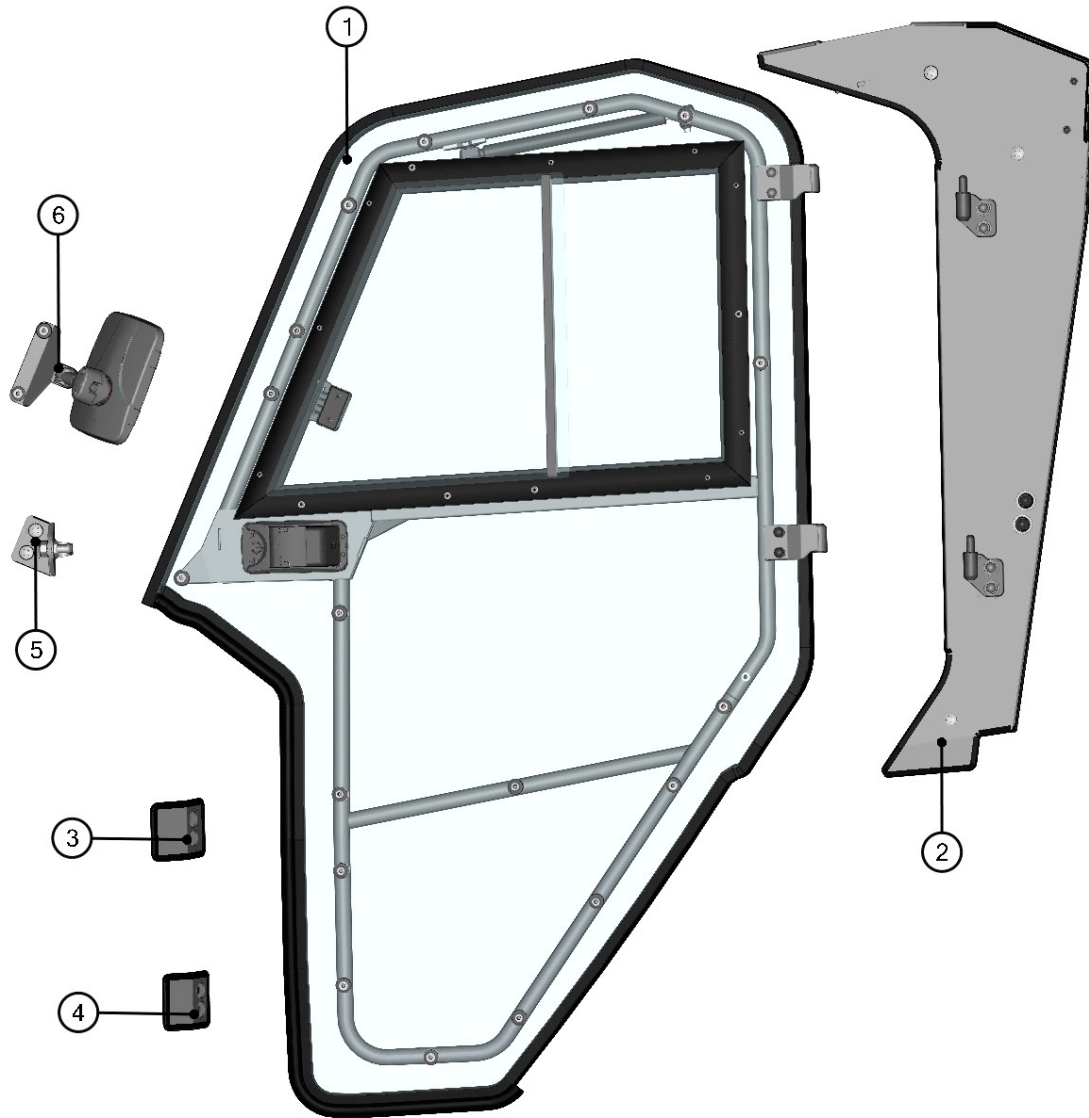
ID	Catalogue no.	Description	Qty
1	004856	PLASTIC FRONT GLASS STOP	1
2	50S02U02-10-013	FRONT GLASS STOP HOLDER	1
3	004386	SCREW M6x15	2
4	004529	SCREW M8x20	2
5	001426	WASHER 6	2
6	001392	SELF-LOCKING NUT M6	2
7	001348	PLASTIC NUT COVER OK 10	2

LEFT DOOR



32

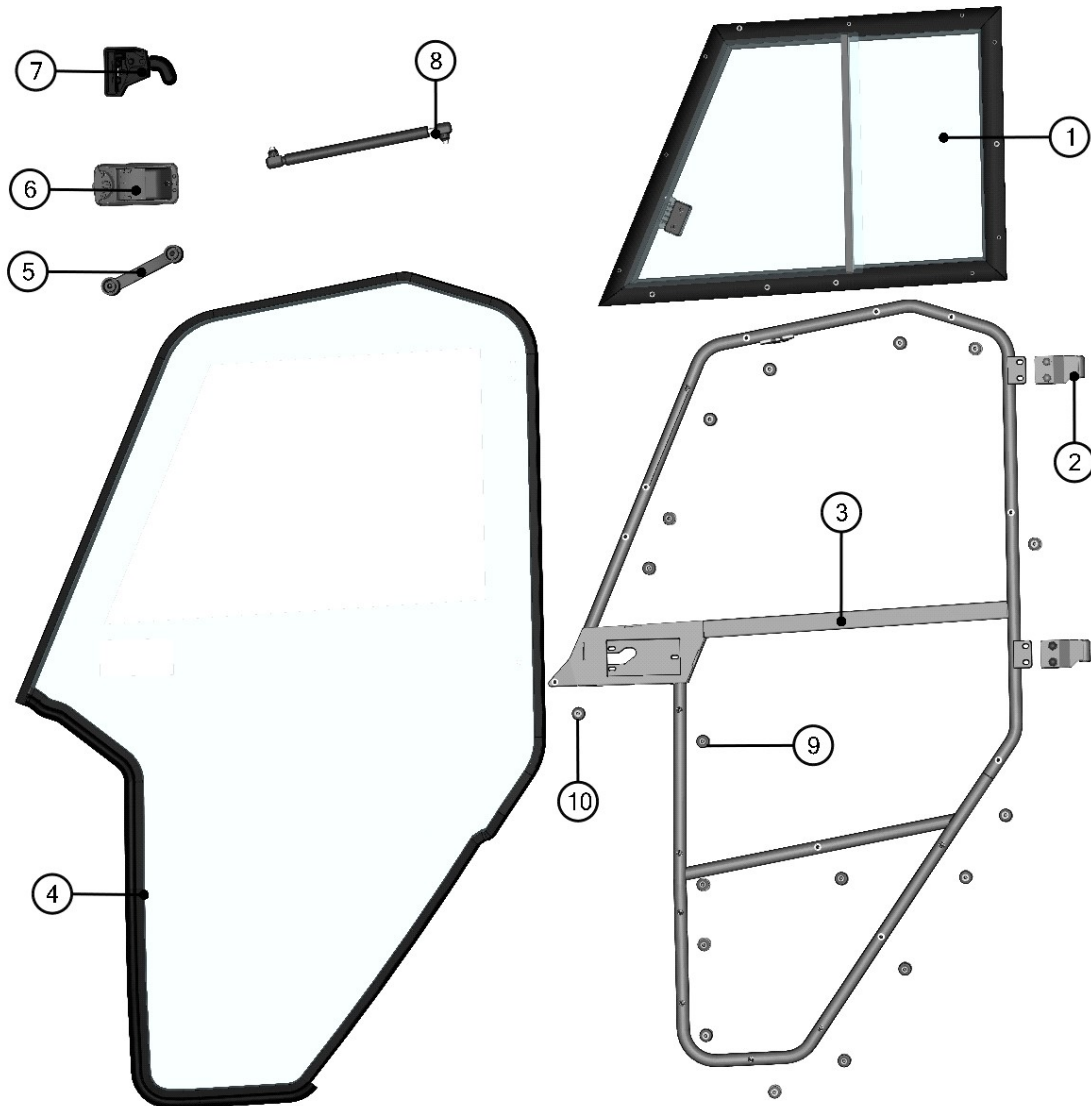
LEFT DOOR ASSEMBLIES



33

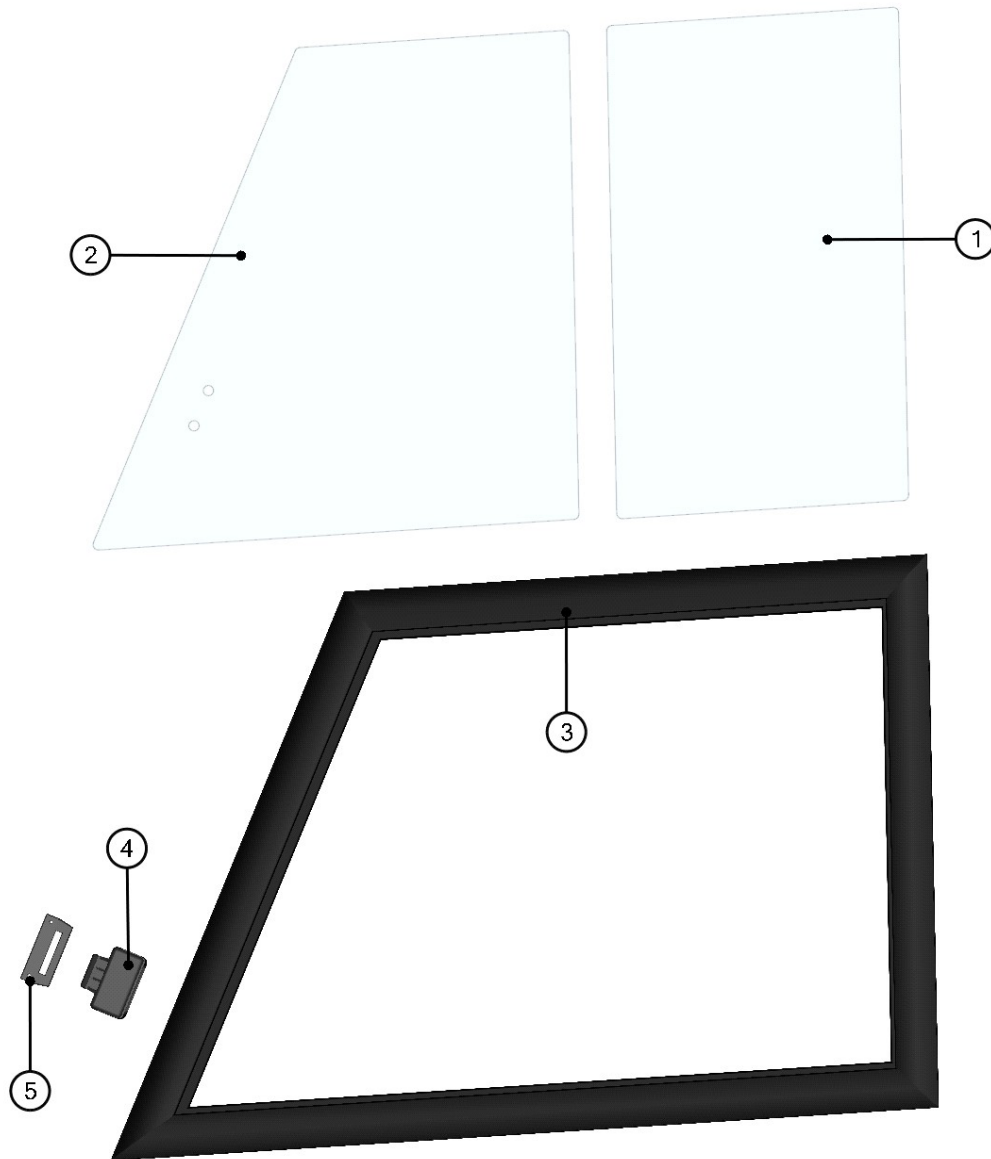
ID	Catalogue no.	Description	Qty
1	50S02U04-40M004	LEFT DOOR ASSEMBLY	1
2	50S02U04-40M003	LEFT DOOR BASE ASSEMBLY	1
3	50S02U04-40M017	UPPER HINGE SPACE COVER	1
4	50S02U04-40M016	BOTTOM HINGE SPACE COVER	1
5	50S02U04-40M005	LEFT DOOR STOP ASSEMBLY	1
6	00-109U-M007	PANORAMATIC REAR VIEW MIRROR ASSEMBLY	1

LEFT DOOR ASSEMBLY



ID	Catalogue no.	Description	Qty
1	50S02U04-40M007	LEFT WINDOW ASSEMBLY	1
2	00-105U-M004	LEFT DOOR HINGE ASSEMBLY	2
3	50S02U04-40W002	LEFT DOOR FRAME WELDED	1
4	50S02U04-40M001	LEFT DOOR POLYCARBONATE WITH SEALING	1
5	00-40M018	DOOR HANDLE ASSEMBLY	1
6	000841	OUTER DOOR LOCK	1
7	00-40M019	LEFT INNER DOOR LOCK	1
8	50S02U04-41M010	DOOR GAS SPRING ASSEMBLY	1
9	00-00M019	POLYCARBONATE FIXING ASSEMBLY	17
10	00-00M020	FRAME FIXING ASSEMBLY	1

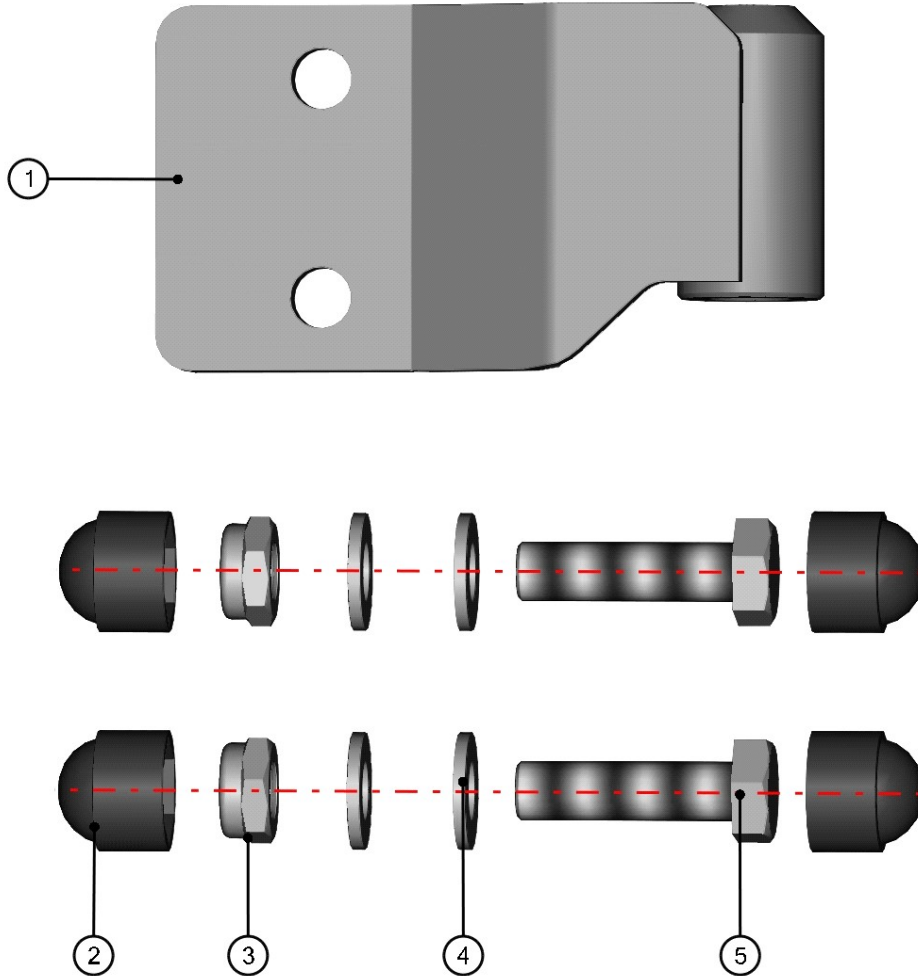
LEFT WINDOW ASSEMBLY



35

ID	Catalogue no.	Description	Qty
1	50S02U04-40-010	WINDOW GLASS SOLID	1
2	50S02U04-40-009	WINDOW GLASS MOVABLE	1
3	50S02U04-40-011	LEFT WINDOW FRAME	1
4	00-40M017	WINDOW LOCK	1
5	001762	WINDOW STOP	1

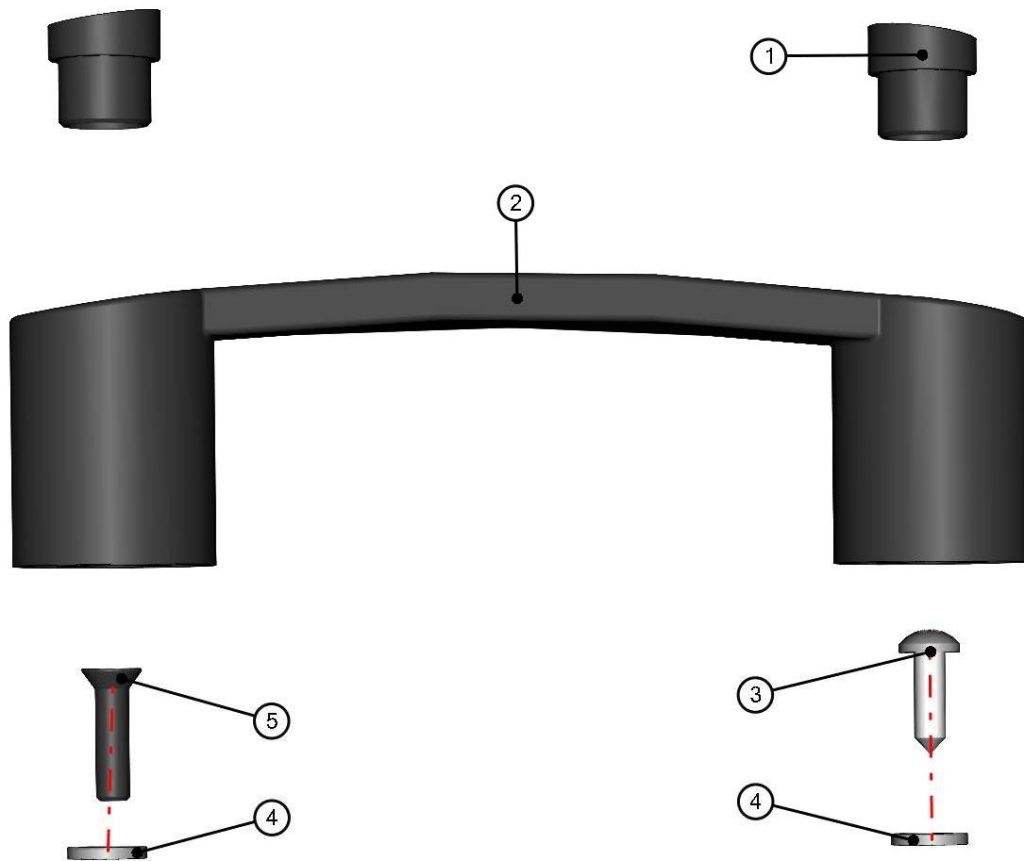
LEFT DOOR HINGE ASSEMBLY



36

ID	Catalogue no.	Description	Qty
1	00-105U-W004	LEFT DOOR HINGE WELDED	1
2	001309	PLASTIC NUT COVER OK 13	4
3	001388	SELF-LOCKING NUT M8	2
4	001387	WASHER 8	4
5	001411	SCREW M8x30	2

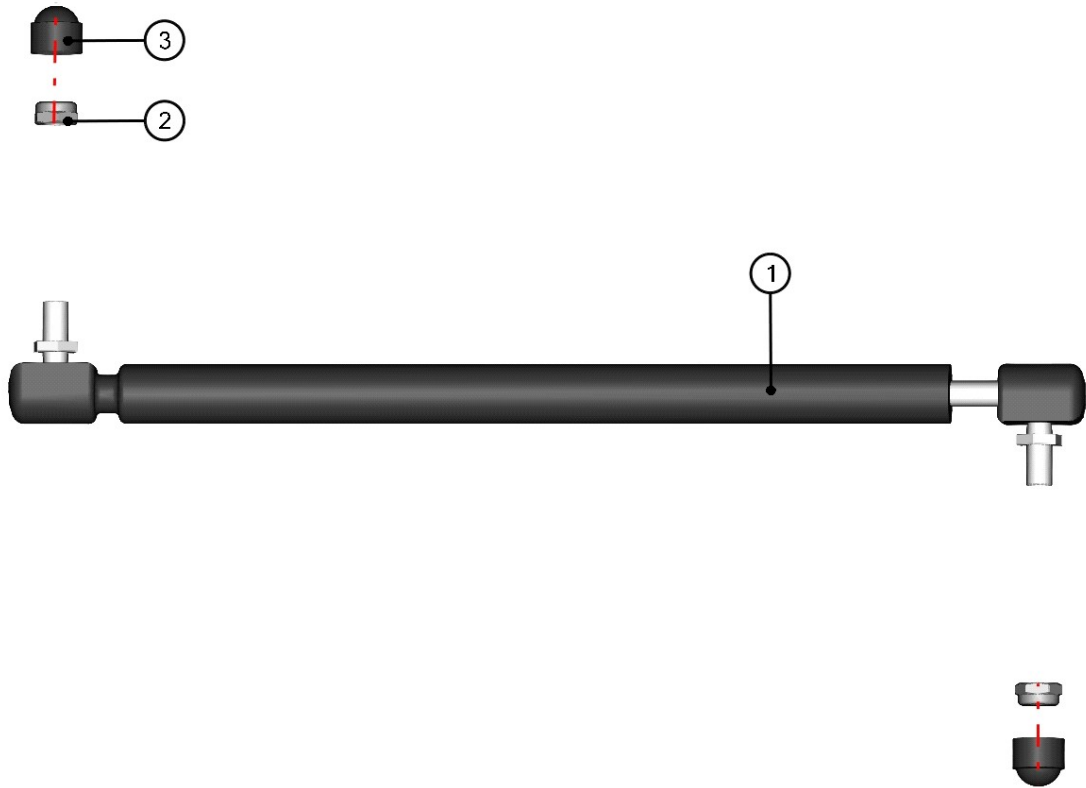
DOOR HANDLE ASSEMBLY



37

ID	Catalogue no.	Description	Qty
1	001706	HANDLE SCREW COVER	2
2	001703	DOOR HANDLE	1
3	001391	SELF CUTTING SCREW	1
4	001426	WASHER 6	2
5	004246	SCREW M5x20	1

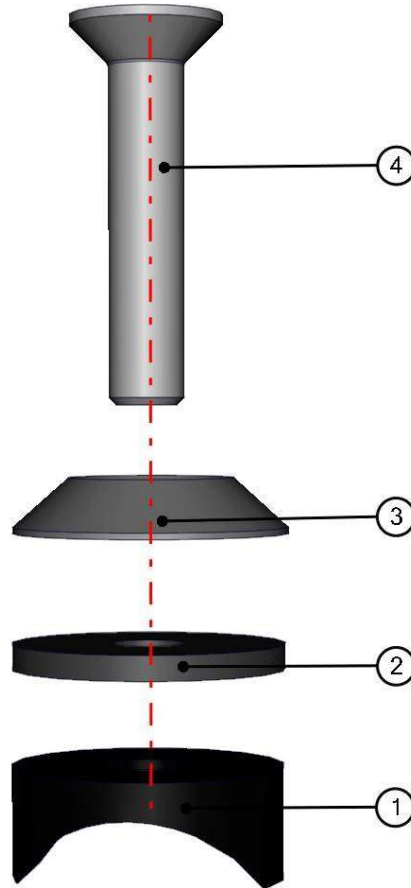
DOOR GAS SPRING ASSEMBLY



38

ID	Catalogue no.	Description	Qty
1	002494	DOOR GAS SPRING	1
2	001388	SELF-LOCKING NUT M8	2
3	001309	PLASTIC NUT COVER OK 13	2

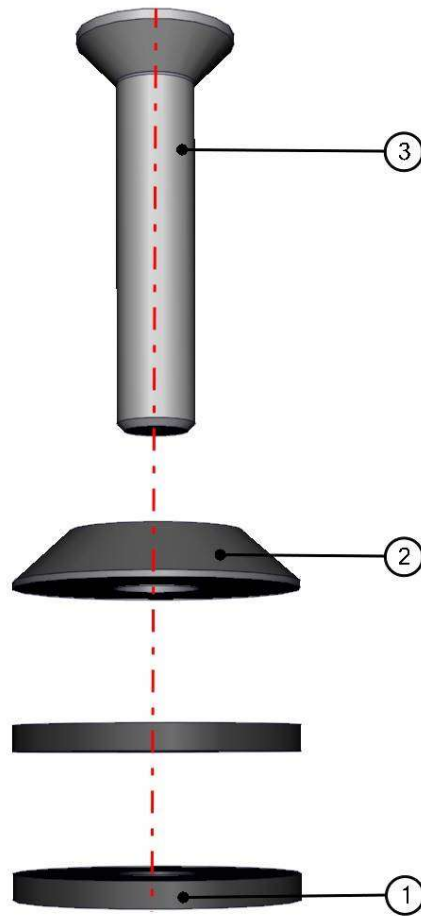
POLYCARBONATE FIXING ASSEMBLY



39

ID	Catalogue no.	Description	Qty
1	001736	SADDLE WASHER	1
2	001735	RUBBER WASHER EPDM	1
3	001715	PLASTIC WASHER	1
4	001701	SCREW M6x30	1

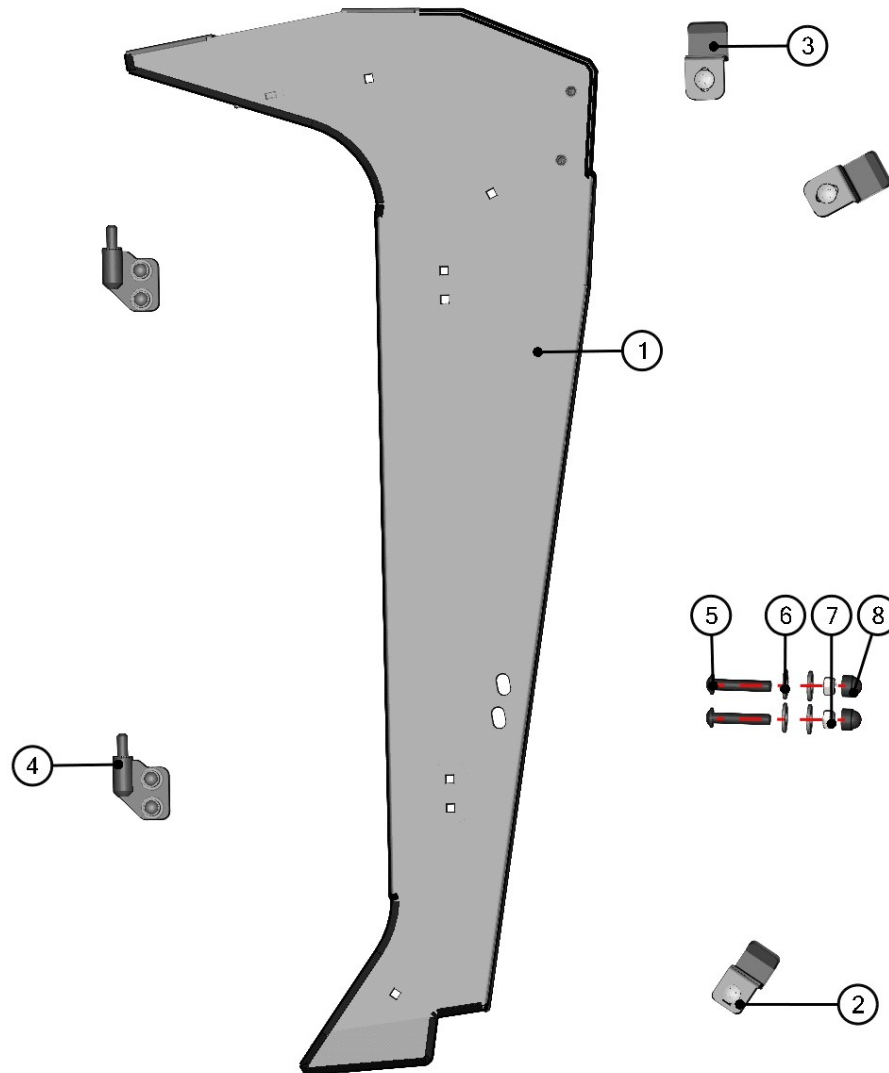
FRAME FIXING ASSEMBLY



40

ID	Catalogue no.	Description	Qty
1	001735	RUBBER WASHER EPDM	2
2	001715	PLASTIC WASHER	1
3	001701	SCREW M6x30	1

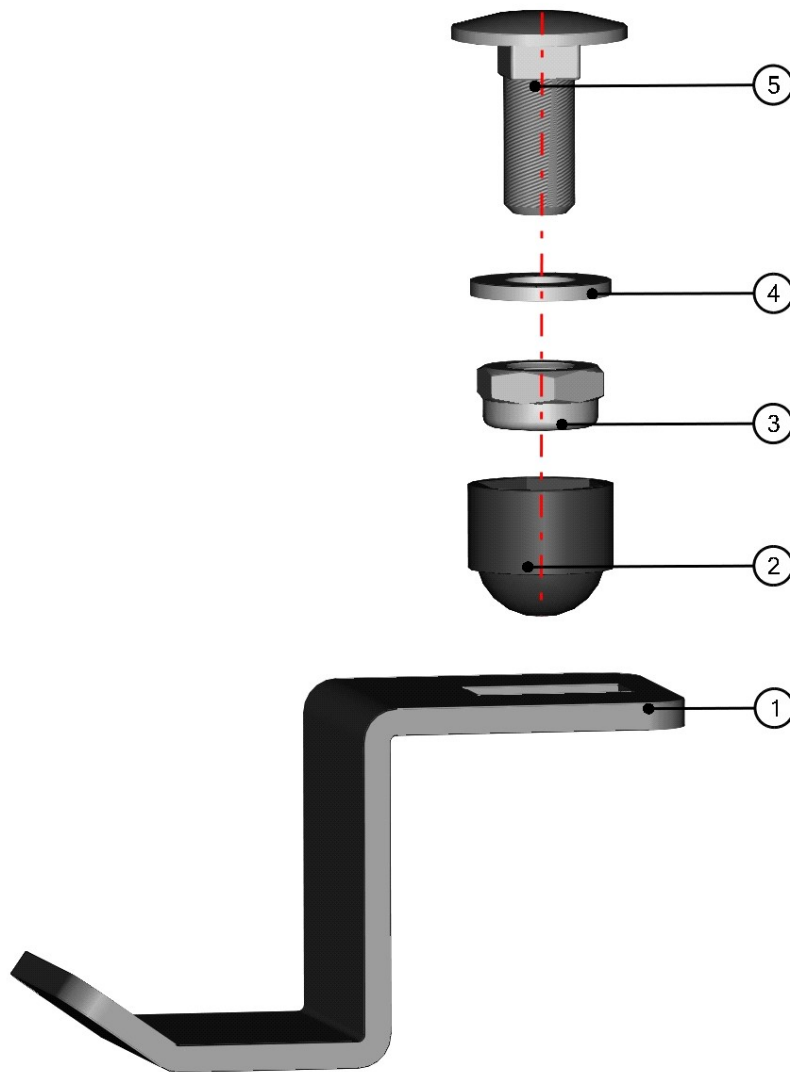
LEFT DOOR BASE ASSEMBLY



41

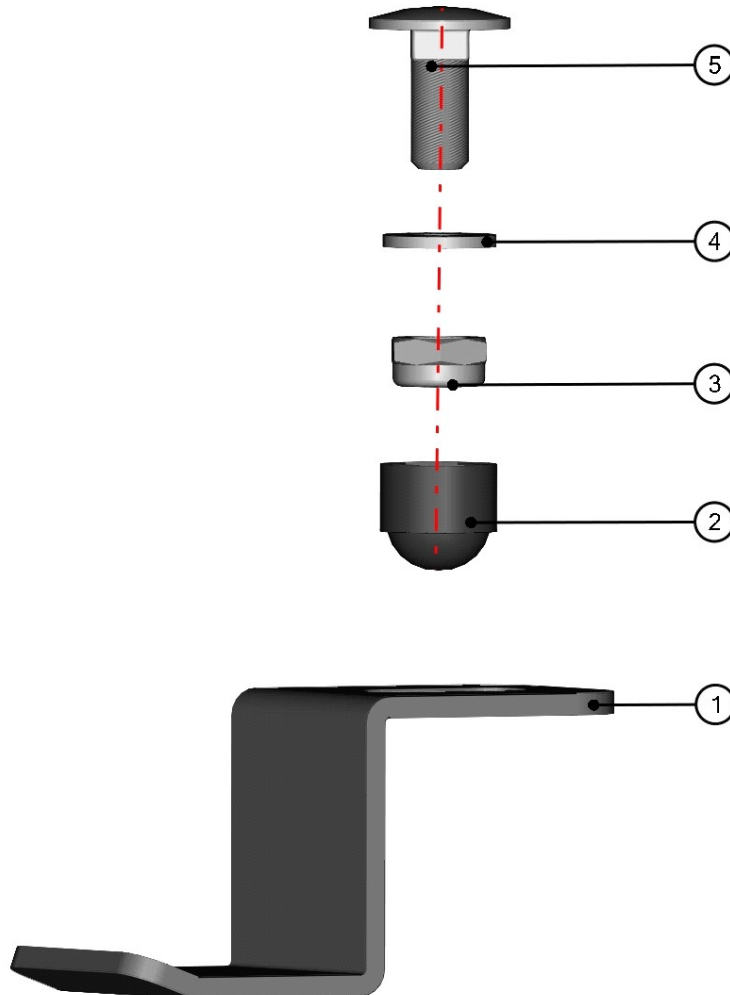
ID	Catalogue no.	Description	Qty
1	50S02U04-40M006	LEFT DOOR BASE	1
2	50S02U04-40M018	DOOR BASE BOTTOM HOLDER ASSEMBLY	1
3	50S02U04-40M019	DOOR BASE UPPER HOLDER ASSEMBLY	2
4	50S02U04-40M002	LEFT DOOR BASE HINGE ASSEMBLY	2
5	004547	SCREW M10x60	2
6	005393	RIVET WASHER 10	4
7	002533	SELF-LOCKING NUT M10	2
8	002363	PLASTIC NUT COVER OK 17	2

DOOR BASE BOTTOM HOLDER ASSEMBLY



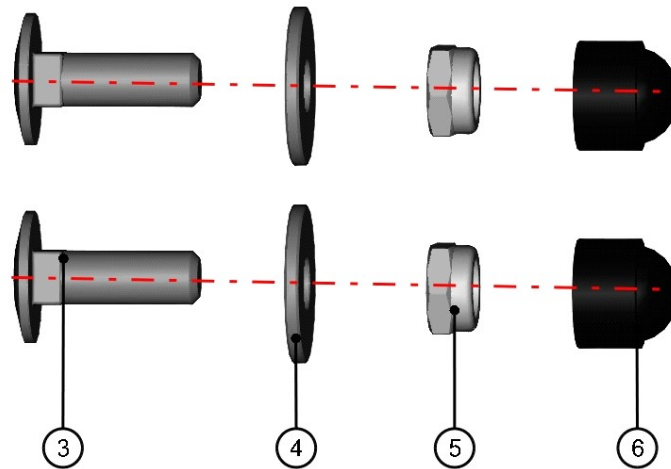
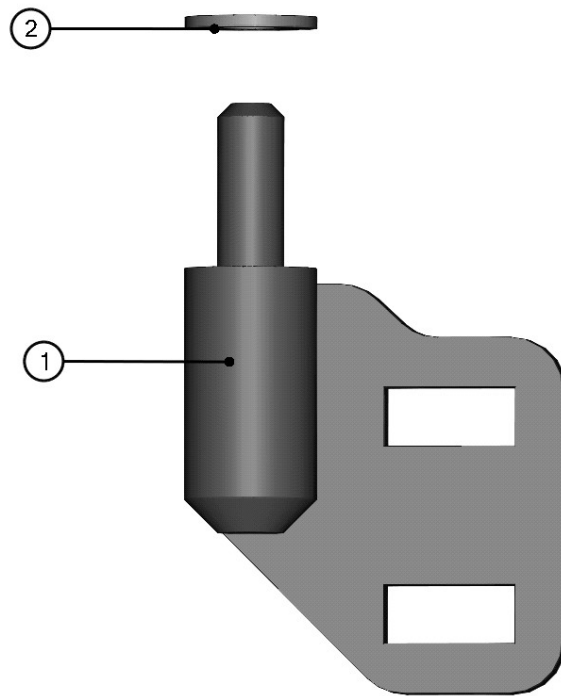
ID	Catalogue no.	Description	Qty
1	50S02U04-40-022	DOOR BASE BOTTOM HOLDER	1
2	001309	PLASTIC NUT COVER OK 13	1
3	001388	SELF-LOCKING NUT M8	1
4	001387	WASHER 8	1
5	002575	SCREW M8x20	1

DOOR BASE UPPER HOLDER ASSEMBLY



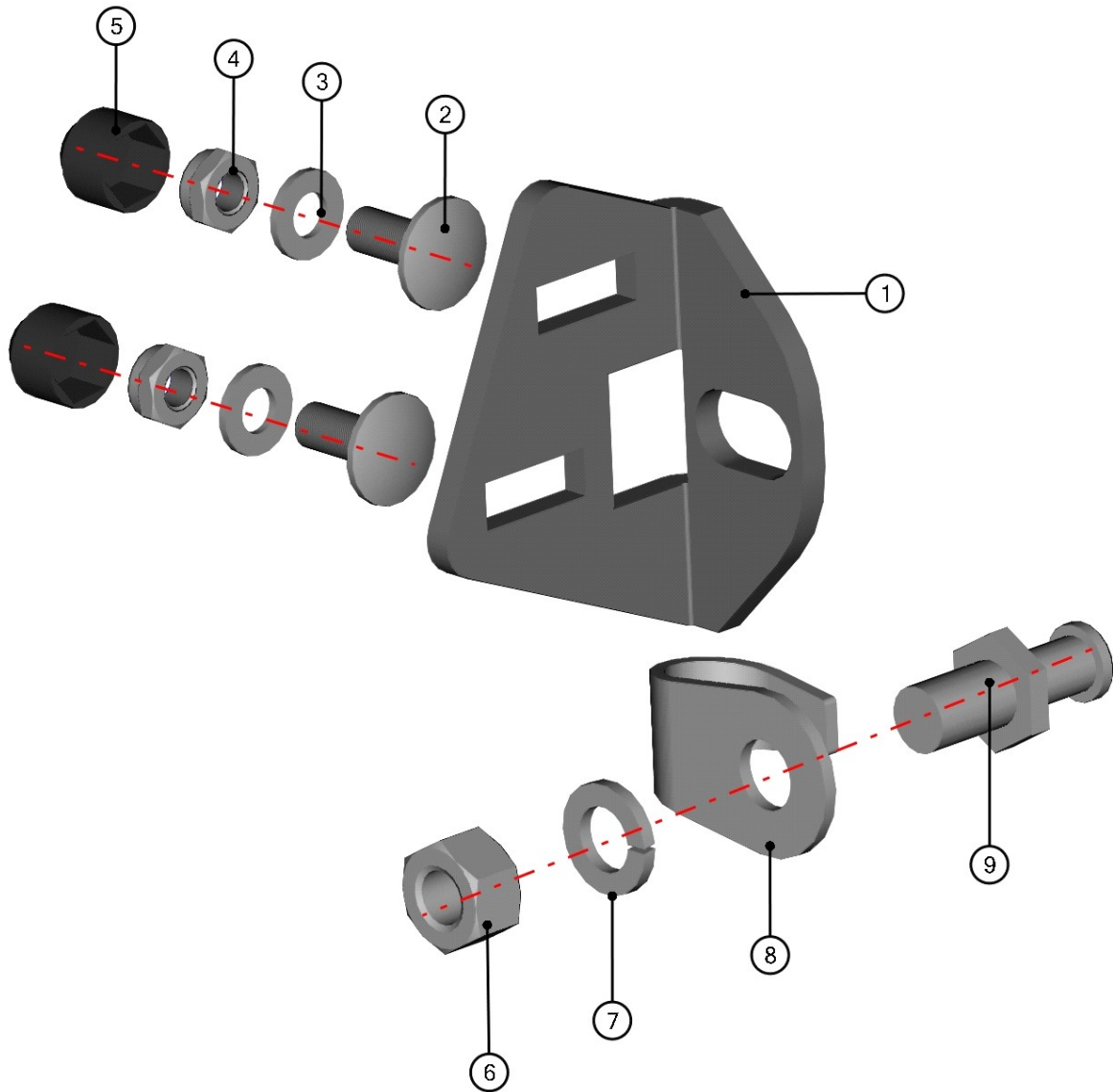
ID	Catalogue no.	Description	Qty
1	00-101U-003	LEFT DOOR BASE UPPER HOLDER	1
2	001309	PLASTIC NUT COVER OK 13	1
3	001388	SELF-LOCKING NUT M8	1
4	001387	WASHER 8	1
5	002575	SCREW M8x20	1

LEFT DOOR BASE HINGE ASSEMBLY



ID	Catalogue no.	Description	Qty
1	50S02U01-40W005	LEFT DOOR BASE HINGE WELDED	1
2	001485	WASHER 10	1
3	003436	SCREW M8x25	2
4	001407	RIVET WASHER 8	2
5	001388	SELF-LOCKING NUT M8	2
6	001309	PLASTIC NUT COVER OK 13	2

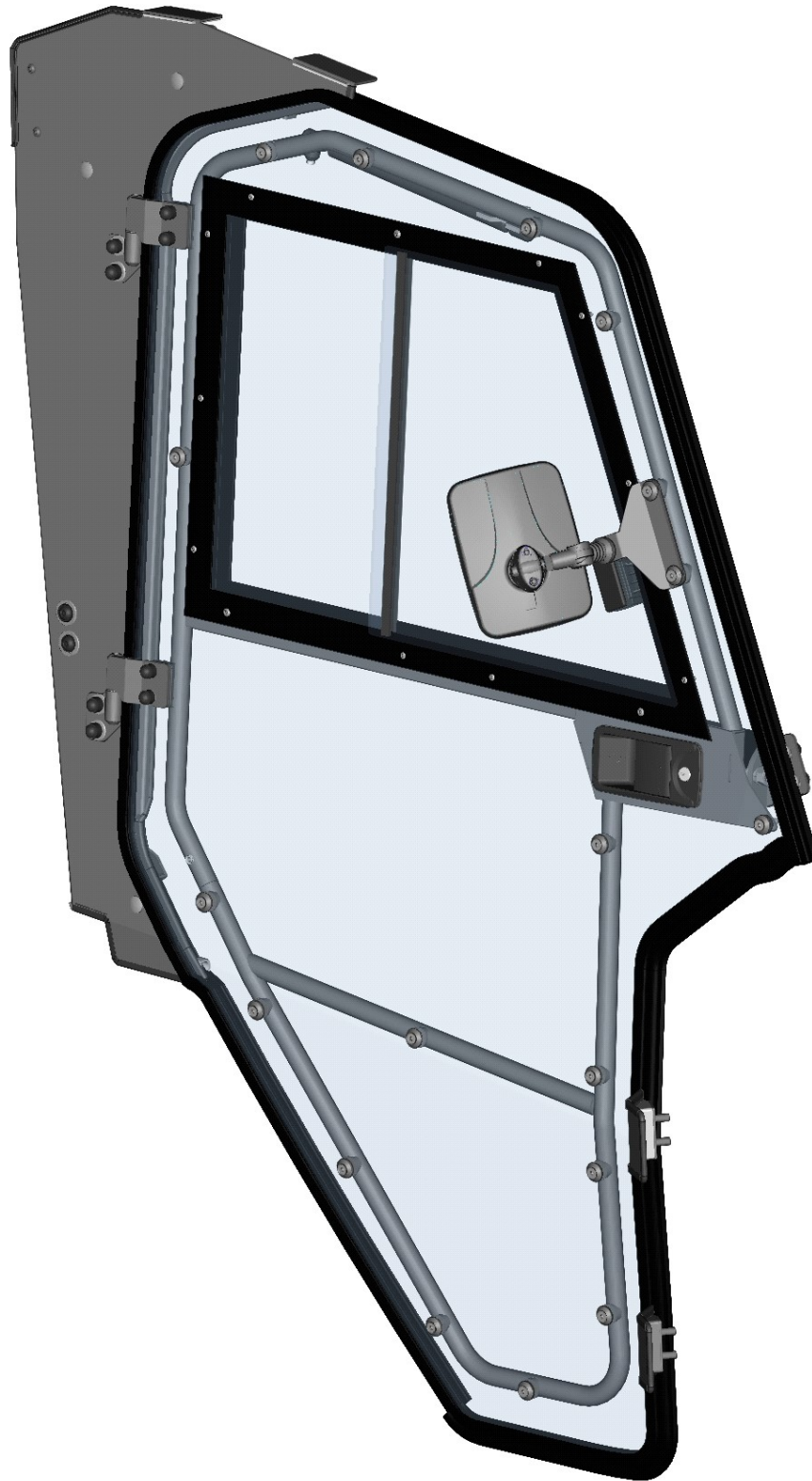
LEFT DOOR STOP ASSEMBLY



45

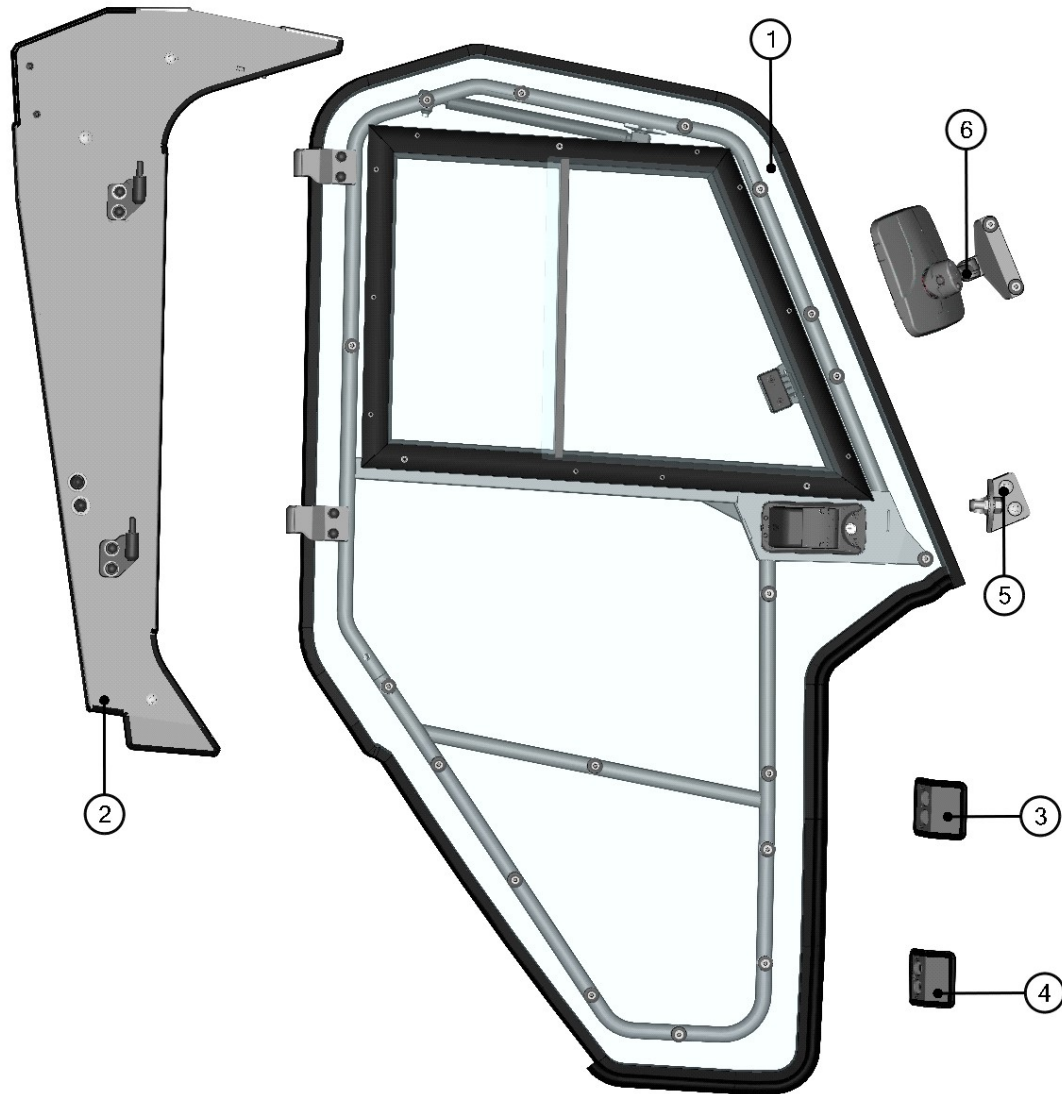
ID	Catalogue no.	Description	Qty
1	50S02U04-40-006	LEFT DOOR STOP HOLDER	1
2	002575	SCREW M8x20	2
3	001387	WASHER 8	2
4	001388	SELF-LOCKING NUT M8	2
5	001309	PLASTIC NUT COVER OK 13	2
6	000856	DOOR STOP NUT	1
7	000857	DOOR STOP WASHER	1
8	000855	DOOR STOP HOOK	1
9	000854	DOOR STOP PIN	1

RIGHT DOOR



46

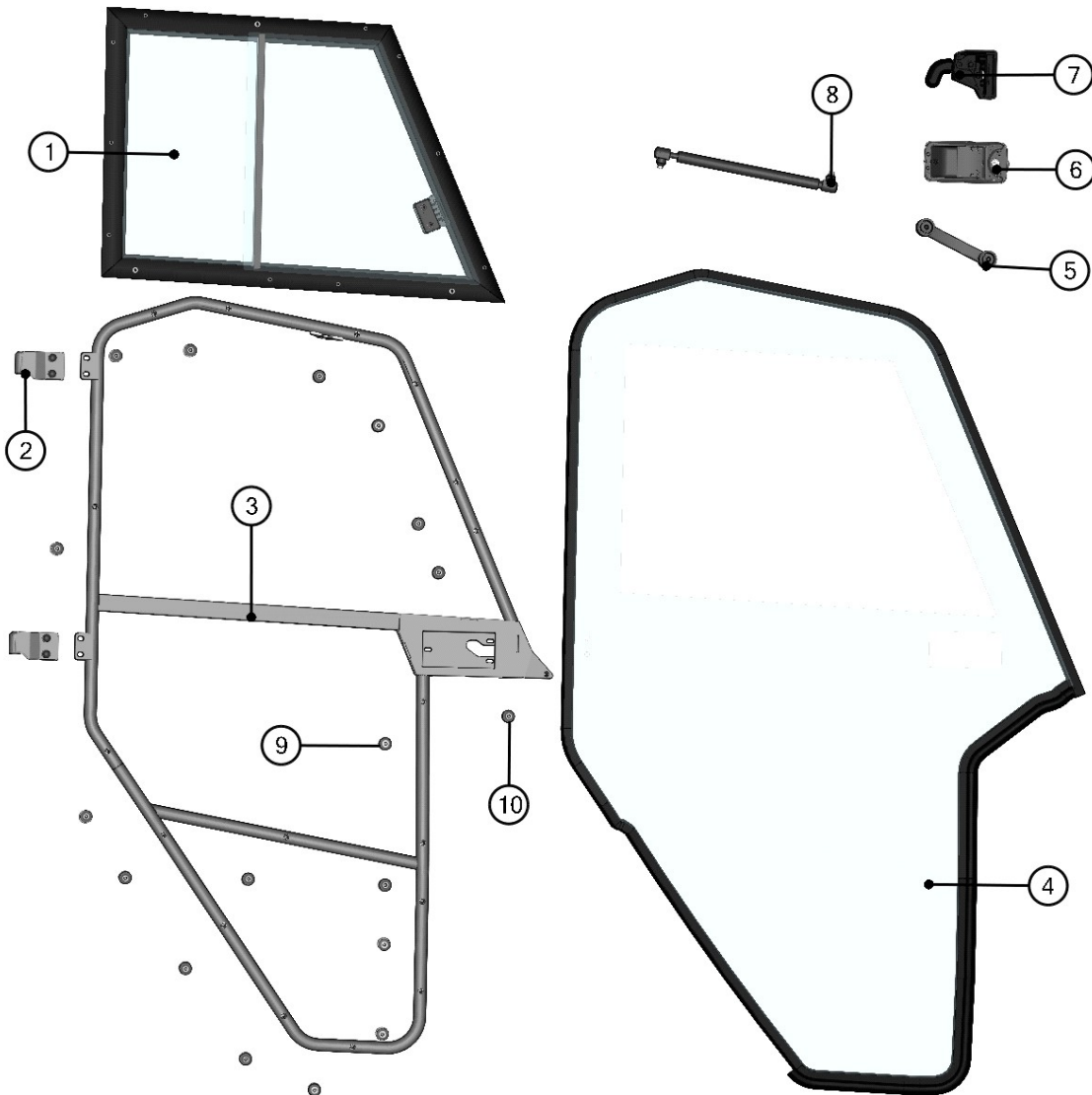
RIGHT DOOR ASSEMBLIES



47

ID	Catalogue no.	Description	Qty
1	50S02U04-50M004	RIGHT DOOR ASSEMBLY	1
2	50S02U04-50M003	RIGHT DOOR BASE ASSEMBLY	1
3	50S02U04-40M017	UPPER HINGE SPACE COVER	1
4	50S02U04-40M016	BOTTOM HINGE SPACE COVER	1
5	50S02U04-50M005	RIGHT DOOR STOP ASSEMBLY	1
6	00-109U-M007	PANORAMATIC REAR VIEW MIRROR	1

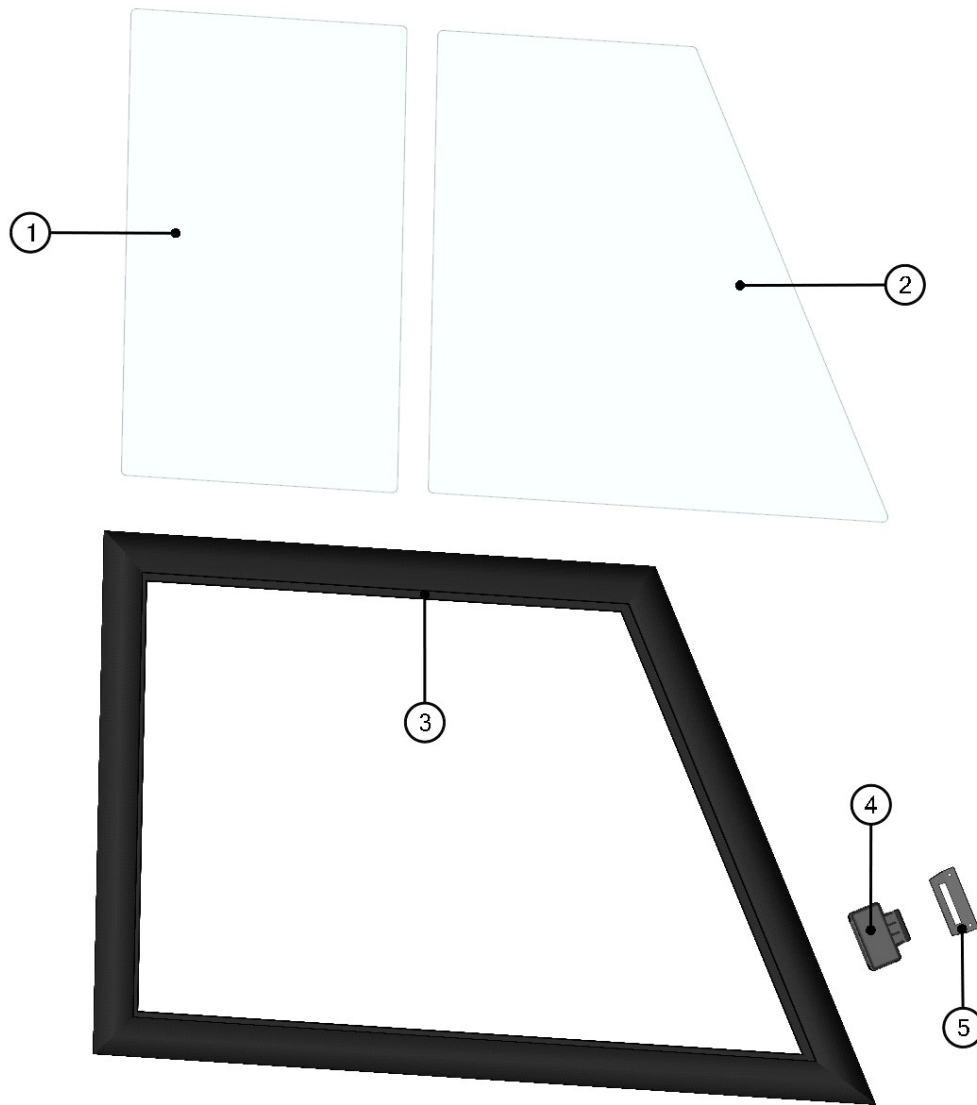
RIGHT DOOR ASSEMBLY



48

ID	Catalogue no.	Description	Qty
1	50S02U04-50M007	RIGHT WINDOW ASSEMBLY	1
2	00-105U-M003	RIGHT DOOR HINGE ASSEMBLY	2
3	50S02U04-50W002	RIGHT DOOR FRAME WELDED	1
4	50S02U04-50M001	RIGHT DOOR POLYCARBONATE WITH SEALING	1
5	00-40M018	DOOR HANDLE ASSEMBLY	1
6	000841	OUTER DOOR LOCK	1
7	00-50M019	RIGHT INNER DOOR LOCK	1
8	50S02U04-41M010	DOOR GAS SPRING ASSEMBLY	1
9	00-00M019	POLYCARBONATE FIXING ASSEMBLY	17
10	00-00M020	FRAME FIXING ASSEMBLY	1

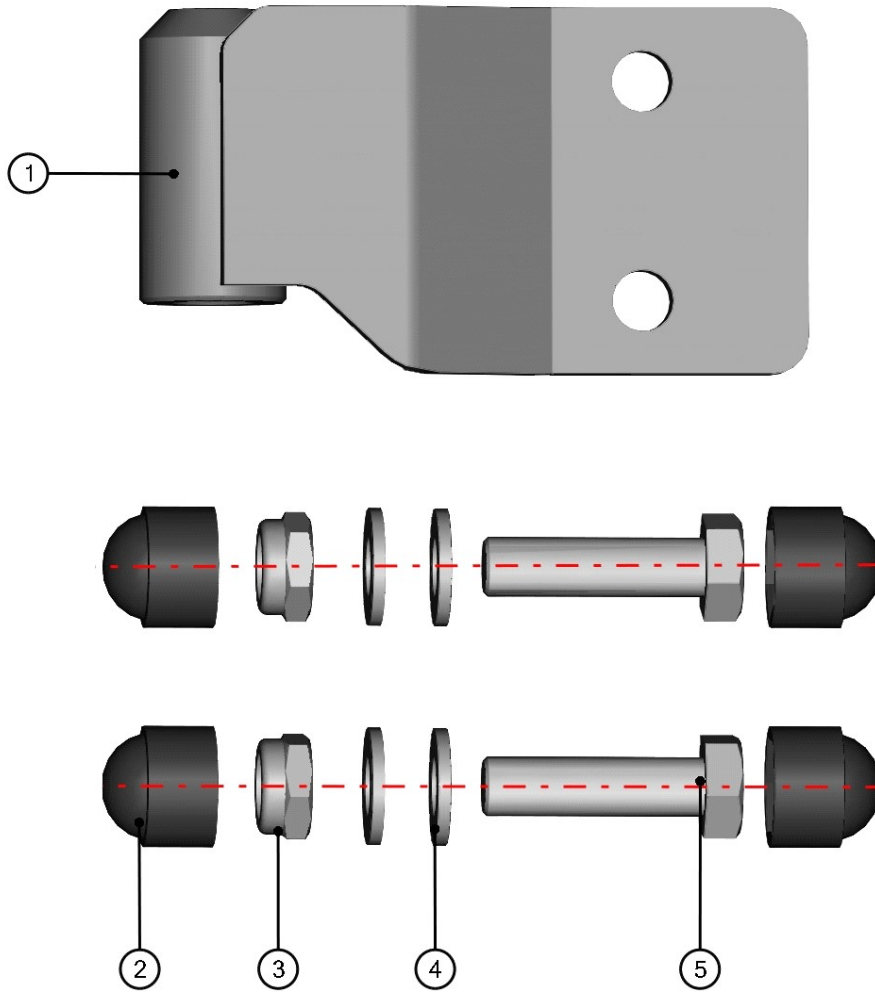
RIGHT WINDOW ASSEMBLY



49

ID	Catalogue no.	Description	Qty
1	50S02U04-40-010	WINDOW GLASS SOLID	1
2	50S02U04-40-009	WINDOW GLASS MOVABLE	1
3	50S02U04-50-011	RIGHT WINDOW FRAME	1
4	00-40M017	WINDOW LOCK	1
5	001762	WINDOW STOP	1

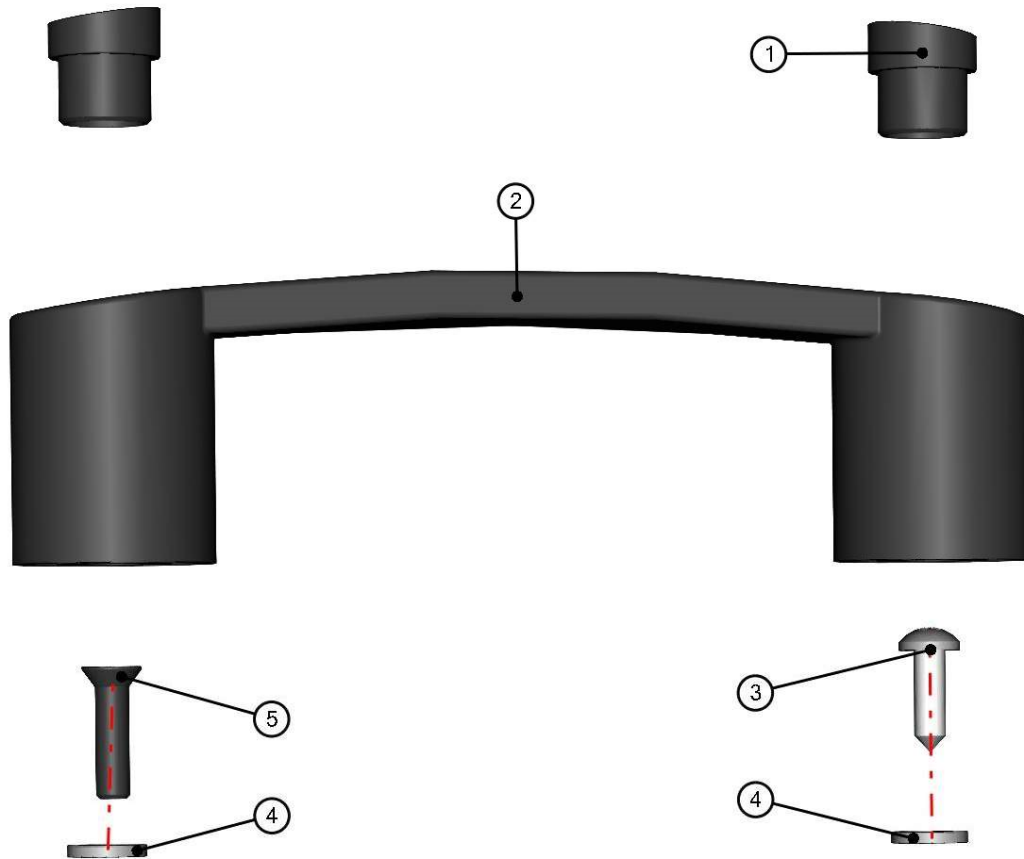
RIGHT DOOR HINGE ASSEMBLY



50

ID	Catalogue no.	Description	Qty
1	00-105U-W003	RIGHT DOOR HINGE WELDED	1
2	001309	PLASTIC NUT COVER OK 13	4
3	001388	SELF-LOCKING NUT M8	2
4	001387	WASHER 8	4
5	001411	SCREW M8x30	2

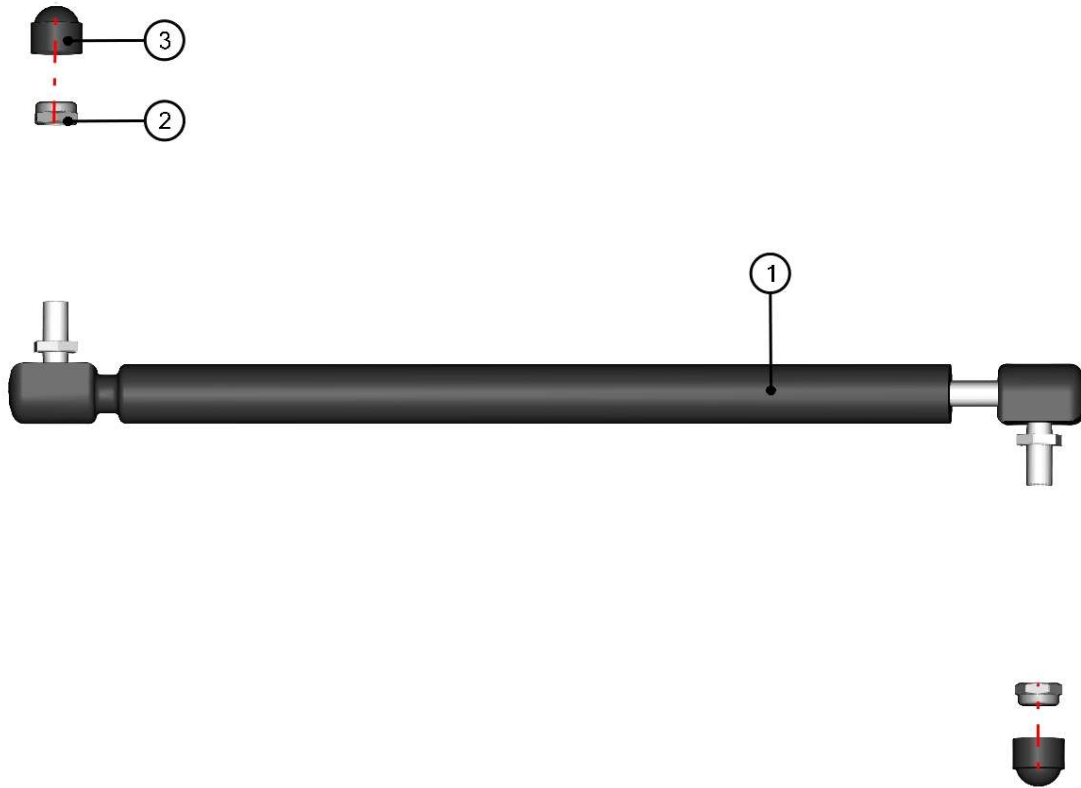
DOOR HANDLE ASSEMBLY



51

ID	Catalogue no.	Description	Qty
1	001706	HANDLE SCREW COVER	2
2	001703	DOOR HANDLE	1
3	001391	SELF CUTTING SCREW	1
4	001426	WASHER 6	2
5	004246	SCREW M5x20	1

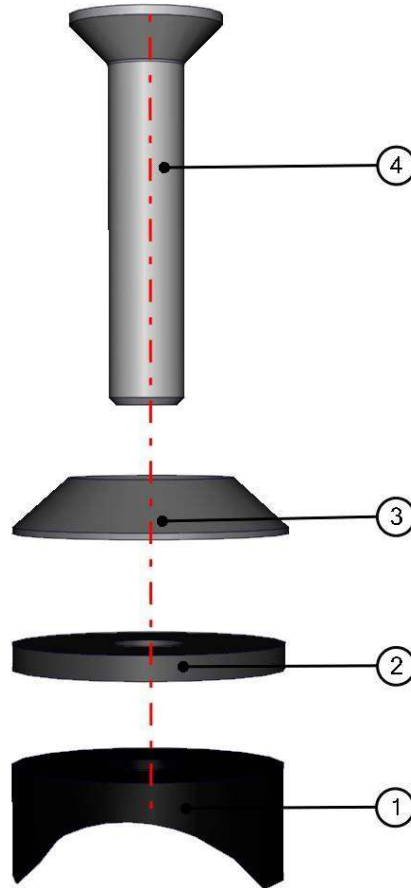
DOOR GAS SPRING ASSEMBLY



52

ID	Catalogue no.	Description	Qty
1	002494	DOOR GAS SPRING	1
2	001388	SELF-LOCKING NUT M8	2
3	001309	PLASTIC NUT COVER OK 13	2

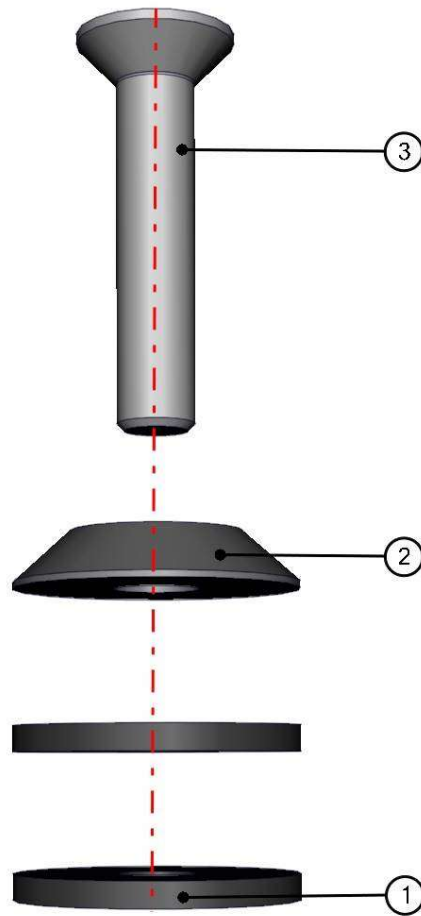
POLYCARBONATE FIXING ASSEMBLY



53

ID	Catalogue no.	Description	Qty
1	001736	SADDLE WASHER	1
2	001735	RUBBER WASHER EPDM	1
3	001715	PLASTIC WASHER	1
4	001701	SCREW M6x30	1

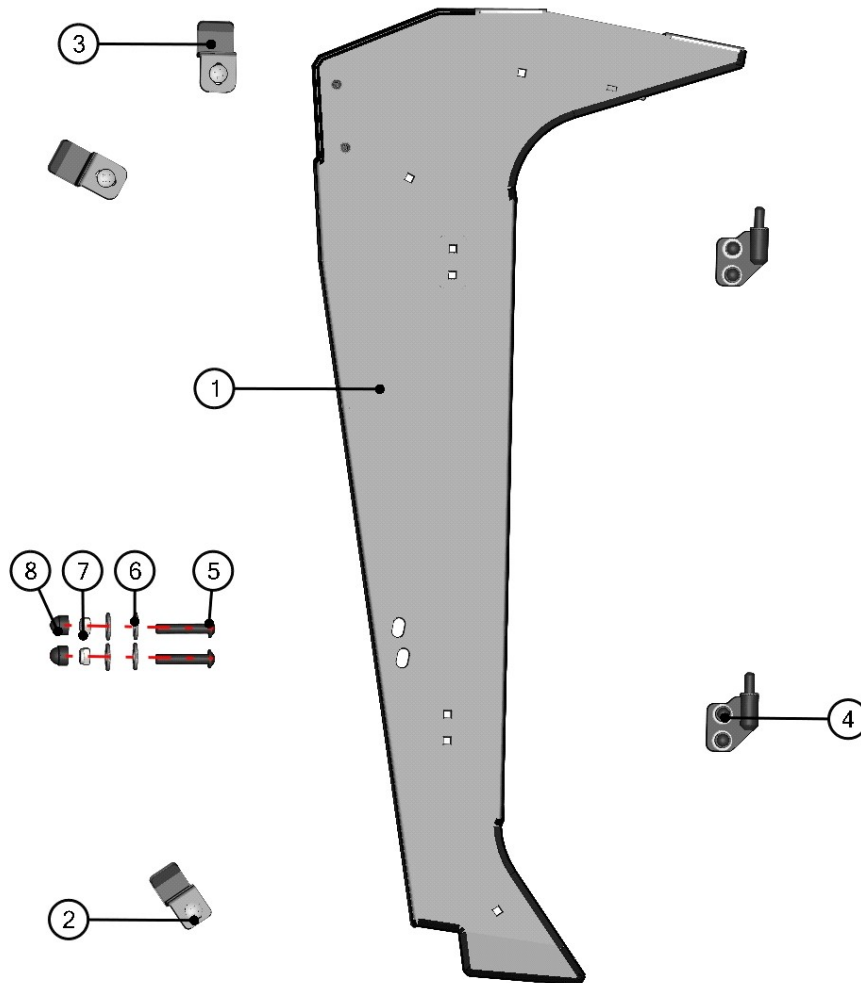
FRAME FIXING ASSEMBLY



54

ID	Catalogue no.	Description	Qty
1	001735	RUBBER WASHER EPDM	2
2	001715	PLASTIC WASHER	1
3	001701	SCREW M6x30	1

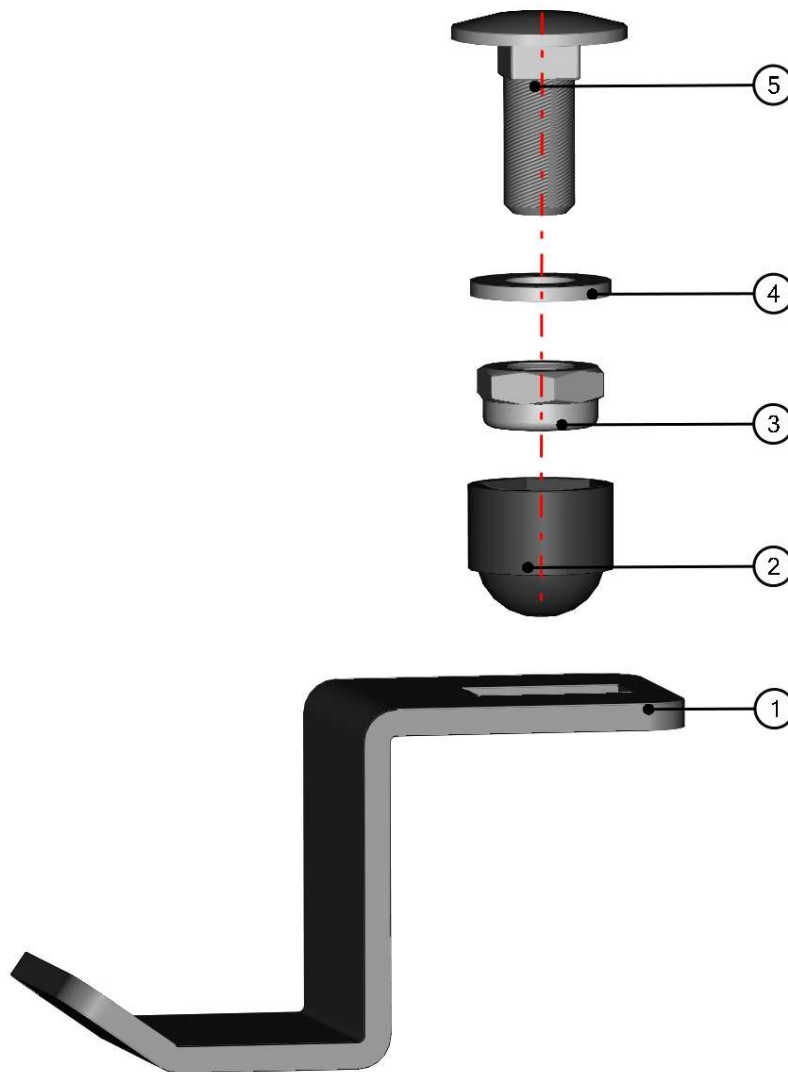
RIGHT DOOR BASE ASSEMBLY



55

ID	Catalogue no.	Description	Qty
1	50S02U04-50M006	RIGHT DOOR BASE	1
2	50S02U04-40M018	DOOR BASE BOTTOM HOLDER	1
3	50S02U04-40M019	DOOR BASE UPPER HOLDER	2
4	50S02U04-50M002	RIGHT DOOR BASE HINGE ASSEMBLY	2
5	004547	SCREW M10x60	2
6	005393	RIVET WASHER 10	4
7	002533	SELF-LOCKING NUT M10	2
8	002363	PLASTIC NUT COVER OK 17	2

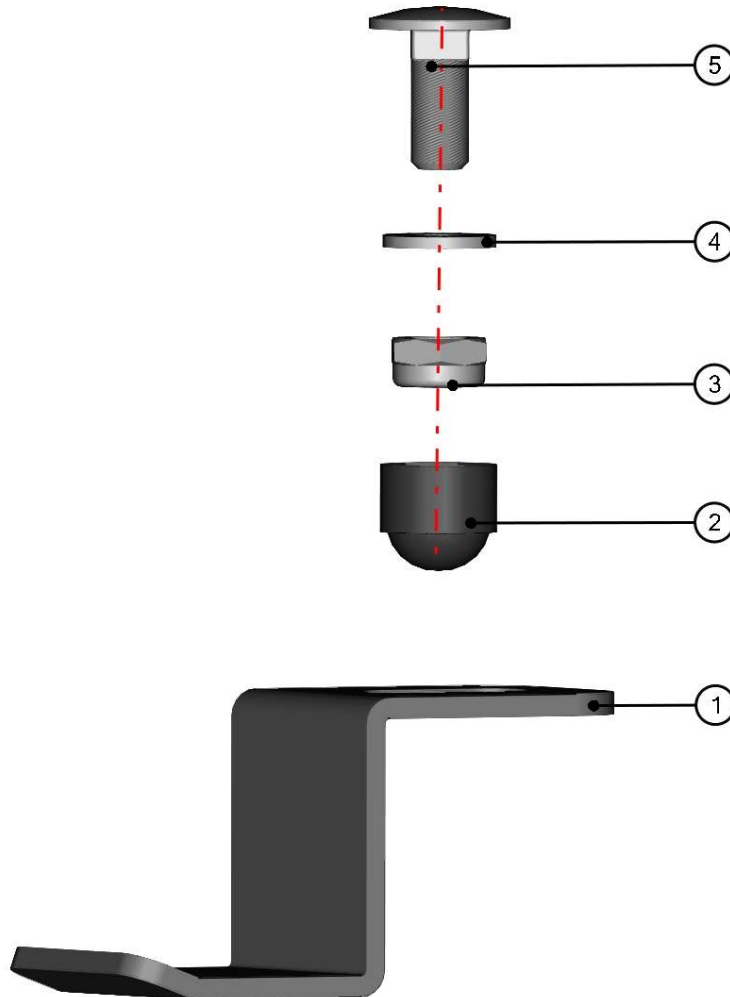
DOOR BASE BOTTOM HOLDER ASSEMBLY



56

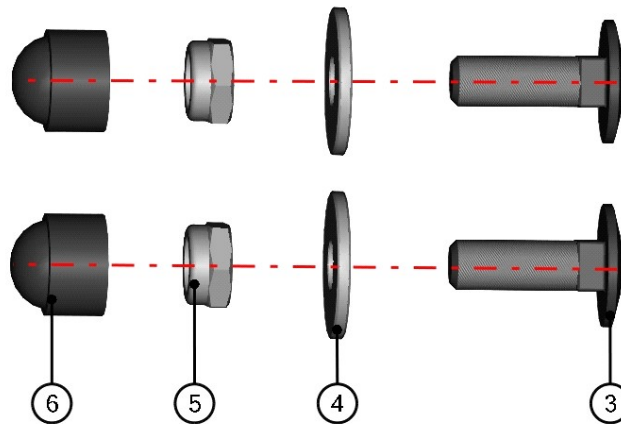
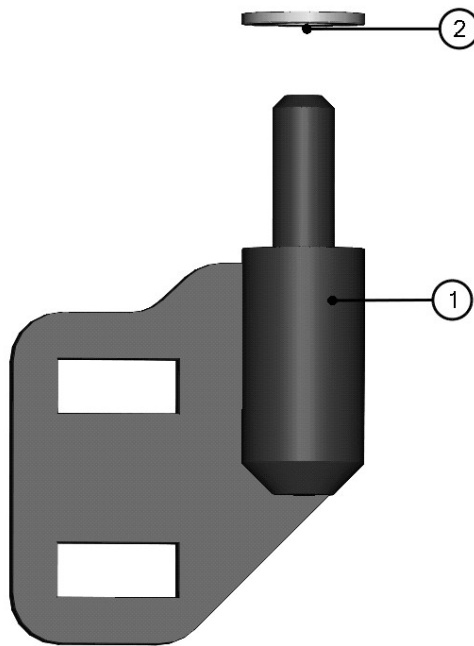
ID	Catalogue no.	Description	Qty
1	50S02U04-40-022	DOOR BASE BOTTOM HOLDER	1
2	001309	PLASTIC NUT COVER OK 13	1
3	001388	SELF-LOCKING NUT M8	1
4	001387	WASHER 8	1
5	002575	SCREW M8x20	1

DOOR BASE UPPER HOLDER ASSEMBLY



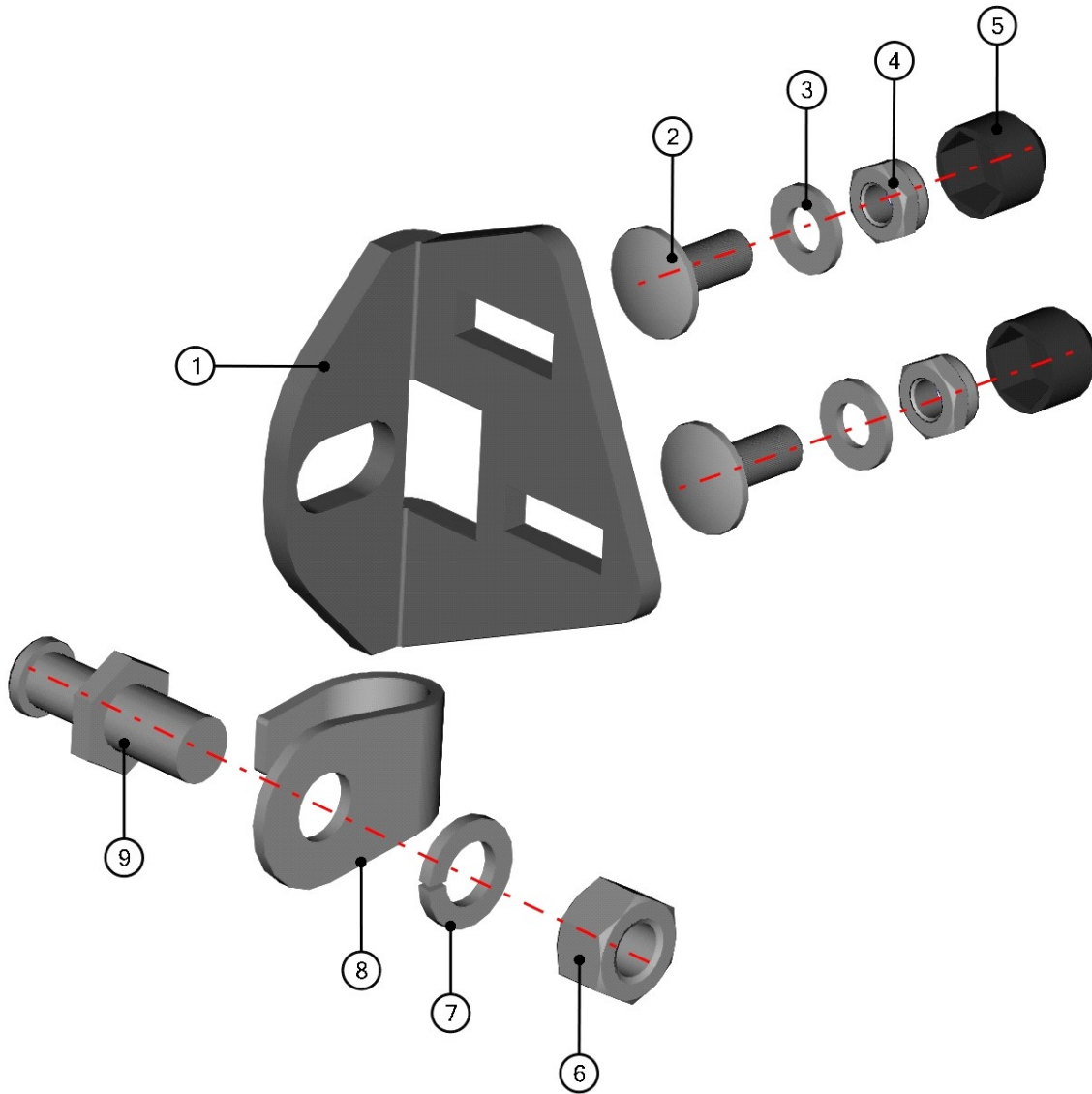
ID	Catalogue no.	Description	Qty
1	00-101U-003	LEFT DOOR BASE UPPER HOLDER	1
2	001309	PLASTIC NUT COVER OK 13	1
3	001388	SELF-LOCKING NUT M8	1
4	001387	WASHER 8	1
5	002575	SCREW M8x20	1

RIGHT DOOR BASE HINGE ASSEMBLY



ID	Catalogue no.	Description	Qty
1	50S02U01-50W005	RIGHT DOOR BASE HINGE WELDED	1
2	001485	WASHER 10	1
3	003436	SCREW M8x25	2
4	001407	RIVET WASHER 8	2
5	001388	SELF-LOCKING NUT M8	2
6	001309	PLASTIC NUT COVER OK 13	2

RIGHT DOOR STOP ASSEMBLY








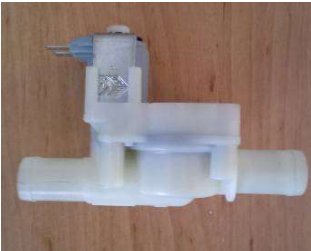









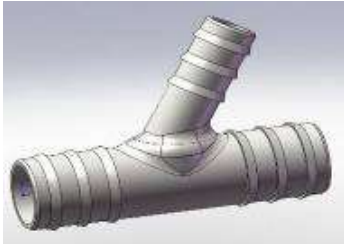


59

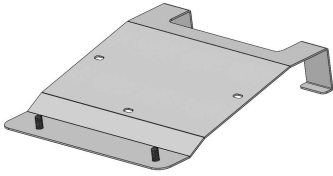



ID	Catalogue no.	Description	Qty
1	50S02U04-50-006	RIGHT DOOR STOP HOLDER	1
2	002575	SCREW M8x20	2
3	001387	WASHER 8	2
4	001388	SEL-LOCKING NUT M8	2
5	001309	PLASTIC NUT COVER OK 13	2
6	000856	DOOR STOP NUT	1
7	000857	DOOR STOP WASHER	1
8	000855	DOOR STOP HOOK	1
9	000854	DOOR STOP PIN	1

ELECTROINSTALLATION

Position	Catalogue no.	Description	Qty
1	004322	SWITCH WIPER /WASHER /OFF	1
2	000885	WASHER TANK	1
3	001576	WASHER MOTOR	1
4	42S09U01-01M002	WIPER HARNESS	3
5	005995	WIPER/WASHER SWITCH HARNESS	1
6	002764	WIPER MOTOR 12V	1
7	42S09U01-03M002	WASHER HARNESS	1
8	002386	ELECTROMAGNETIC VALVE	1
9	005996	RELAY HARNESS	1
10	002795	AIR HOSE	1
11	000896	HEATER HOSE	1
12	002471	WATER PUMP	1
13	002491	BLEEDING VALVE	1
14	001368	TIGHTENING STRAP 16-27 MM	15
15	002643	TIGHTENING STRAP 21-38 MM	3
16	002502	HEATER TUBE "Y"	1
17	002856	HEATER TUBE "Y"	1
18	002705	AL TAPE	1
19	50S02U04-02W001	HEATER HOLDER	1
20	57S03U01-02M003	HEATER HARNESS	1
21	002624	HEATER	1
22	002739	AIR VENT	4

		
<p>Position : 1</p>	<p>Position : 2</p>	<p>Position : 3</p>
<p>Catalogue no.: 004322</p>	<p>Catalogue no.: 000885</p>	<p>Catalogue no.: 001576</p>
		
<p>Position : 4</p>	<p>Position : 5</p>	<p>Position : 6</p>
<p>Catalogue no.: 42S09U01-01M002</p>	<p>Catalogue no.: 005995</p>	<p>Catalogue no.: 002764</p>
		
<p>Position : 7</p>	<p>Position : 8</p>	<p>Position : 9</p>
<p>Catalogue no.: 42S09U01-03M002</p>	<p>Catalogue no.: 002386</p>	<p>Catalogue no.: 005996</p>

		
<p>Position : 10</p>	<p>Position : 11</p>	<p>Position : 12</p>
<p>Catalogue no.: 002795</p>	<p>Catalogue no.: 000896</p>	<p>Catalogue no.: 002471</p>
		
<p>Position : 13</p>	<p>Position : 14</p>	<p>Position : 15</p>
<p>Catalogue no.: 002491</p>	<p>Catalogue no.: 002524</p>	<p>Catalogue no.: 002643</p>
		
<p>Position : 16</p>	<p>Position : 17</p>	<p>Position : 18</p>
<p>Catalogue no.: 002502</p>	<p>Catalogue no.: 002856</p>	<p>Catalogue no.: 002705</p>

		
<p>Position : 19</p>	<p>Position : 20</p>	<p>Position : 21</p>
<p>Catalogue no.: 50S02U04-02W001</p>	<p>Catalogue no.: 57S03U01-02M003</p>	<p>Catalogue no.: 002624</p>
		
<p>Position : 22</p>		
<p>Catalogue no.: 002739</p>		