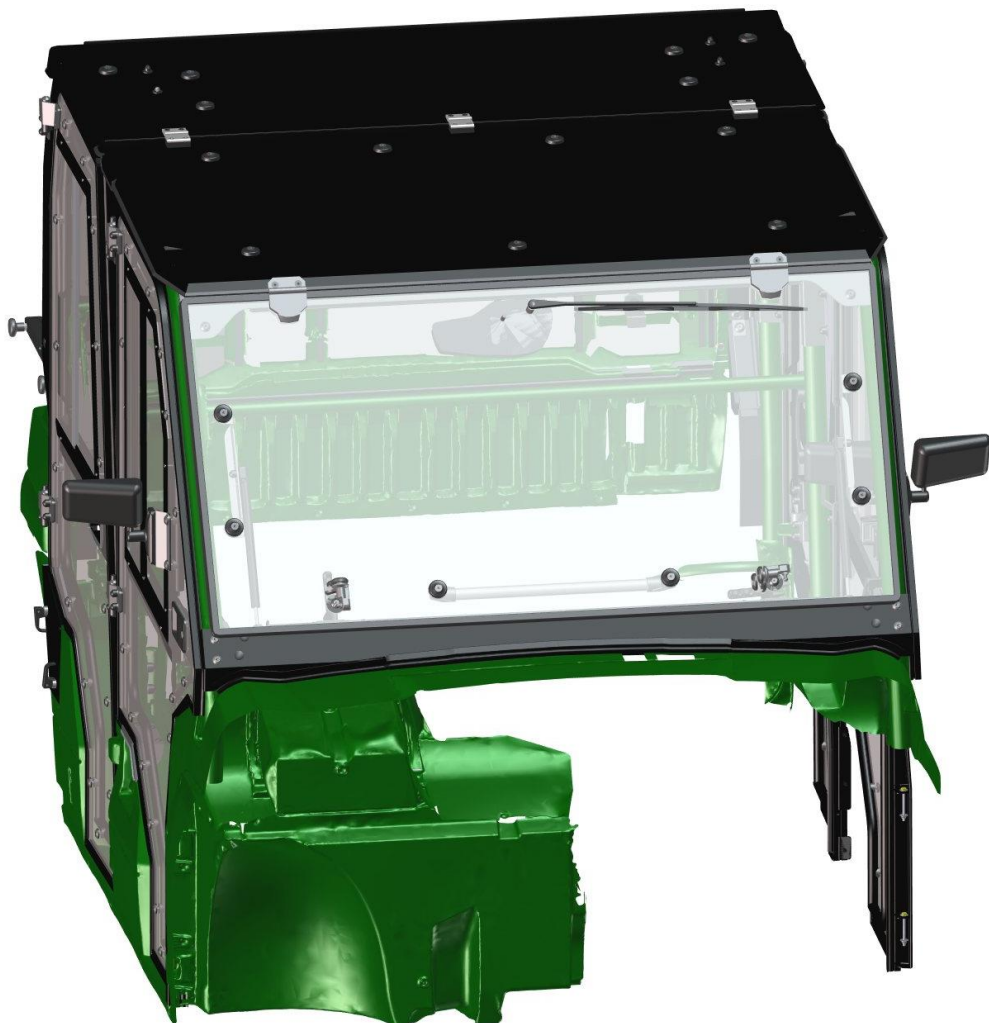


HardCabs

A DFK AMERICA COMPANY

SPARE - PARTS CATALOG

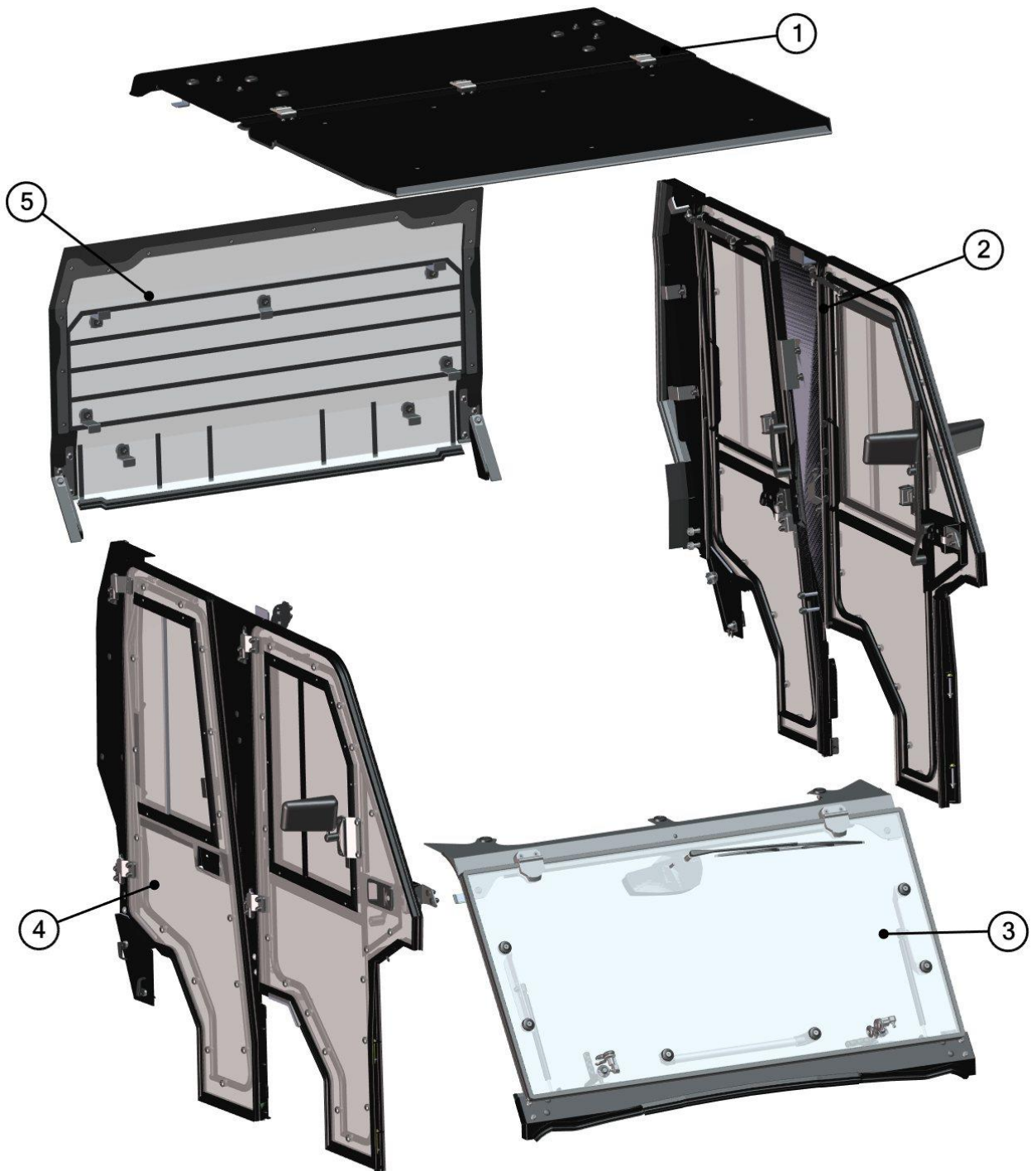
KAWASAKI **MULE PRO-FXT**



CAB PREVIEW



2

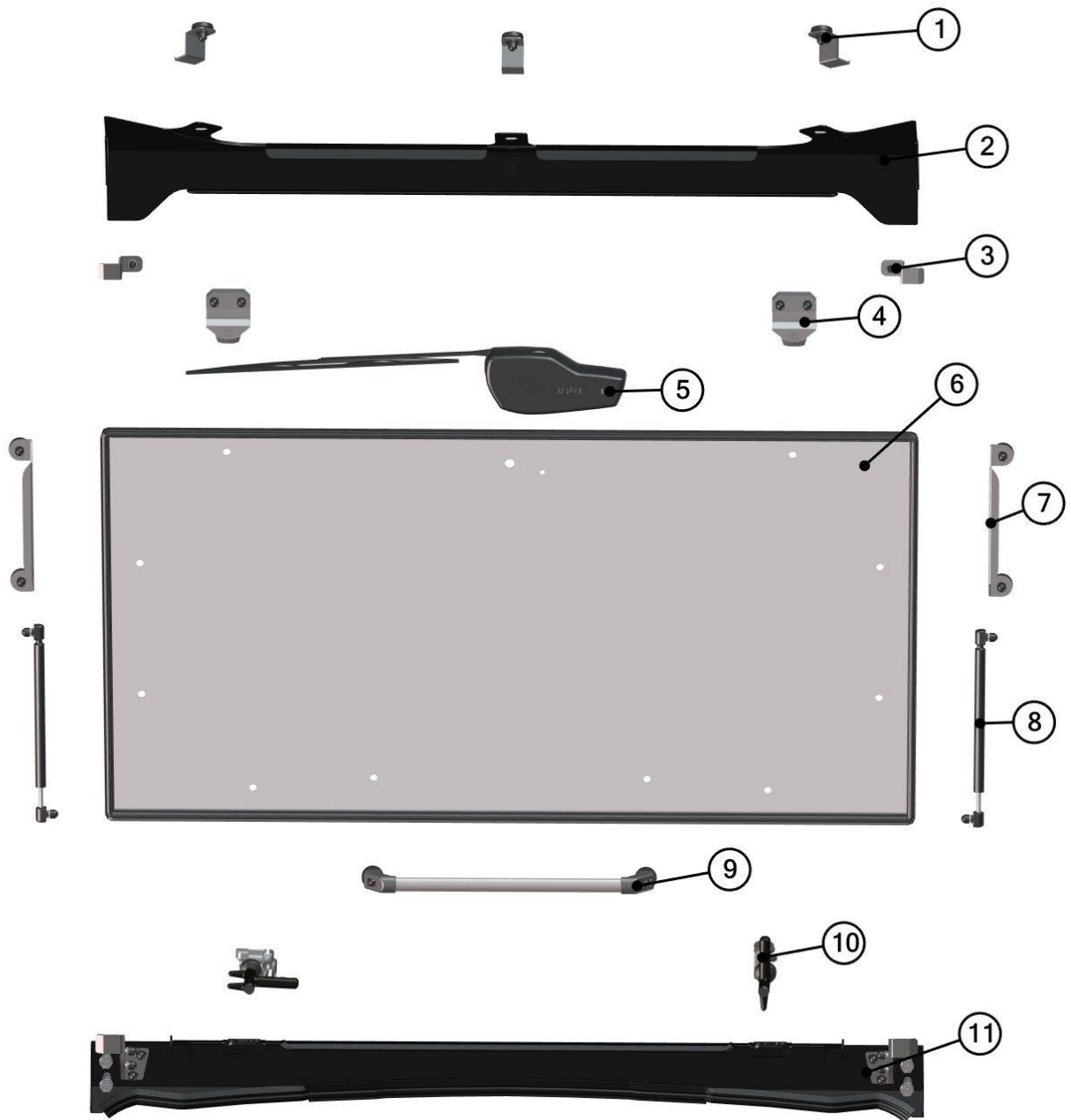


3

ID	Catalogue no.	Derscription	Qty
1	42S05U01S30	ROOF PANEL	1
2	42S05U01S40	LEFT DOORS	1
3	42S05U01S10	FRONT PANEL	1
4	42S05U01S50	RIGHT DOORS	1
5	42S05U01S20	REAR PANEL	1

FRONT PANEL

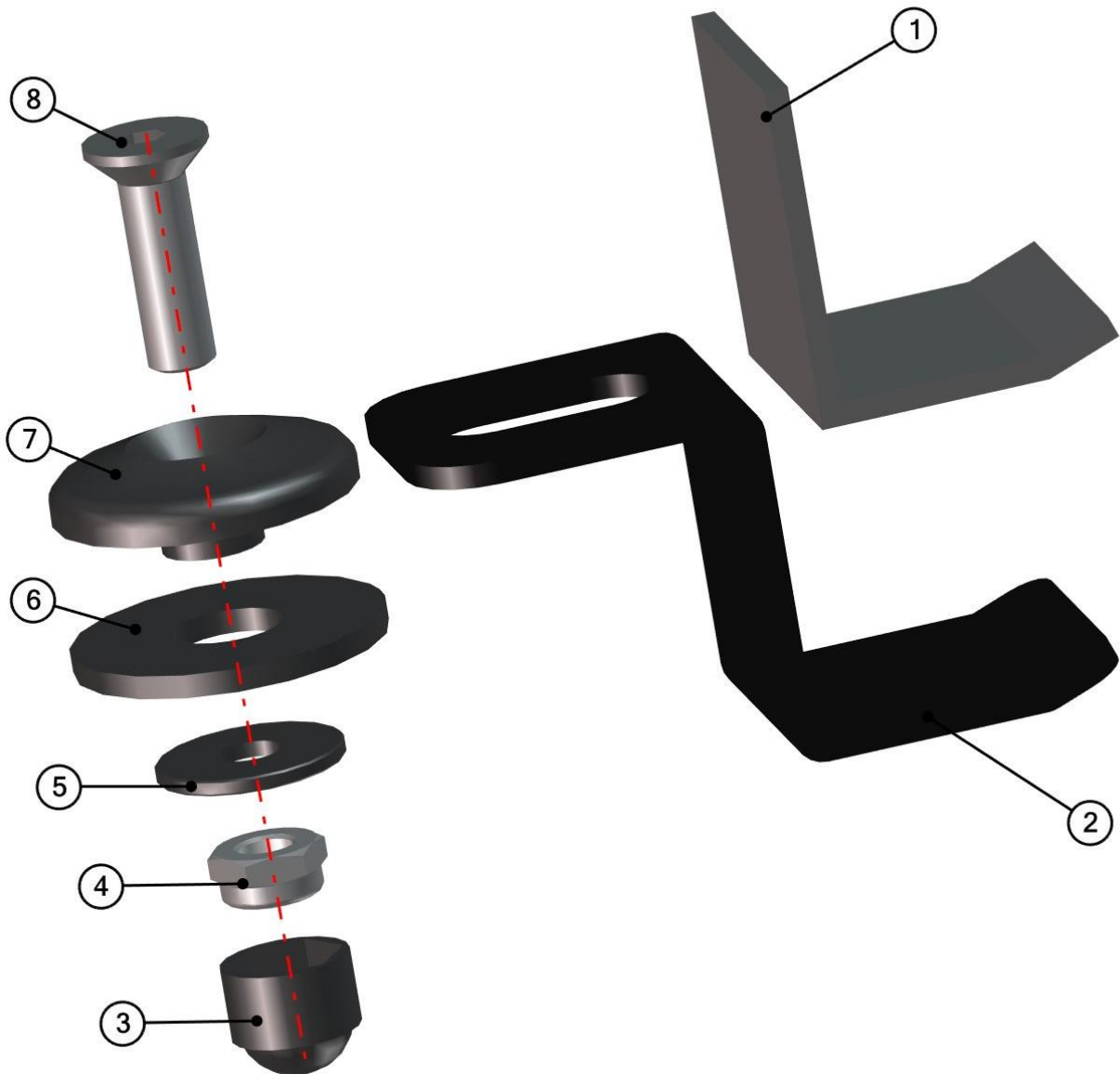




5

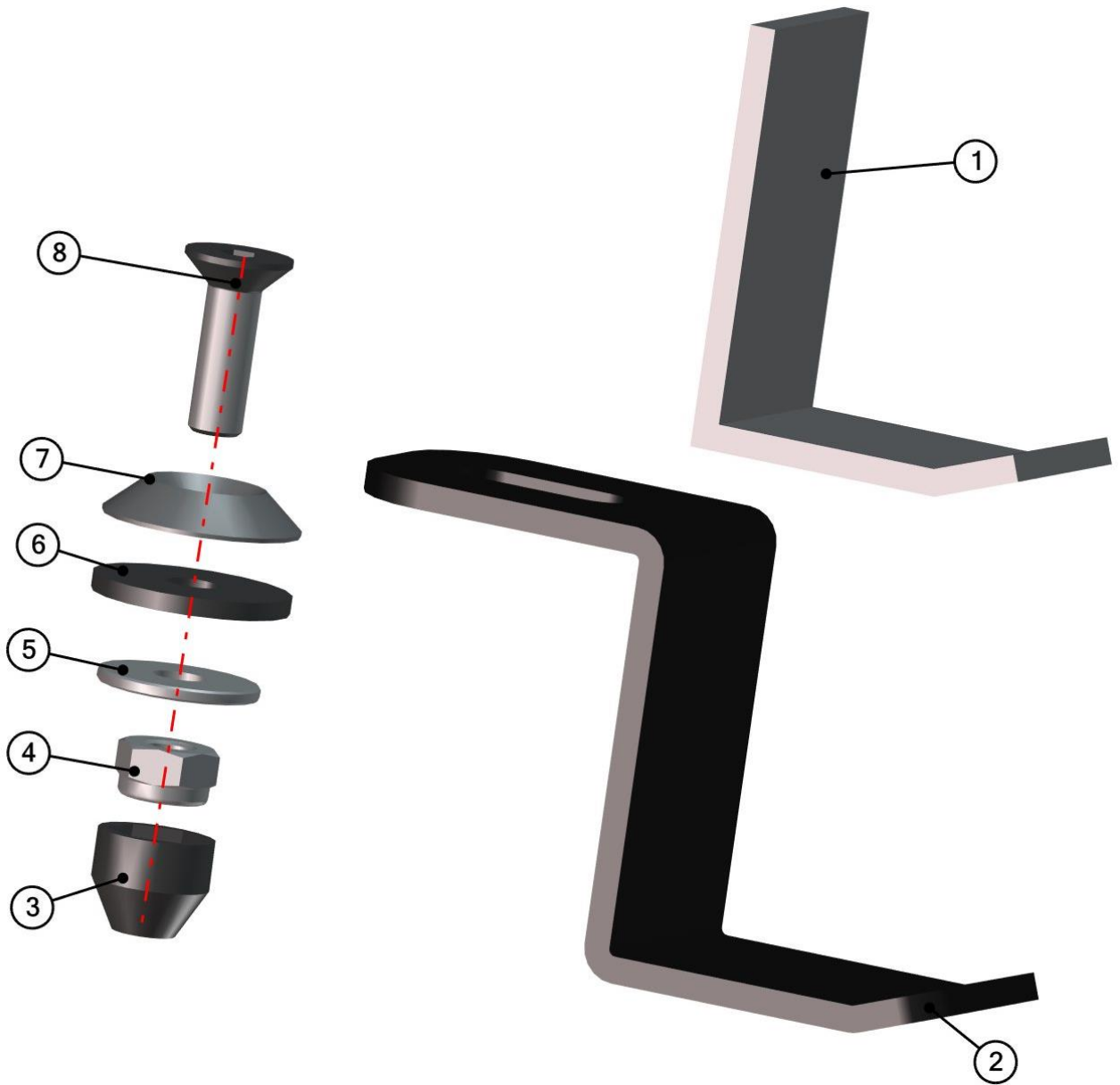
ID	Catalogue no.	Description	Qty
1	42S05U01-10M006	FRONT UPPER LEDGE HOLDER ASSEMBLY 1	3
2	42S05U01-10M013	FRONT UPPER LEDGE ASSEMBLY	1
3	42S05U01-10M005	FRONT UPPER LEDGE HOLDER ASSEMBLY 2	2
4	00-10M012	FRONT HINGE	2
5	42S05U01-01M001	WIPER ASSEMBLY	1
6	42S05U01-10M003	FRONT GLASS WITH SEALING	1
7	42S05U01-10M010	FRONT GAS SPRING HOLDER ASSEMBLY	2
8	42S05U01-10M011	GAS SPRING ASSEMBLY	2
9	00-113U-M001	FRONT HANDLE	1
10	00-10M023	FRONT GLASS LOCK ASSEMBLY	2
11	42S05U01-10M002	FRONG BOTTOM LEDGE ASSEMBLY	1

FRONT UPPER LEDGE HOLDER ASSEMBLY 1
42S05U01-10M006



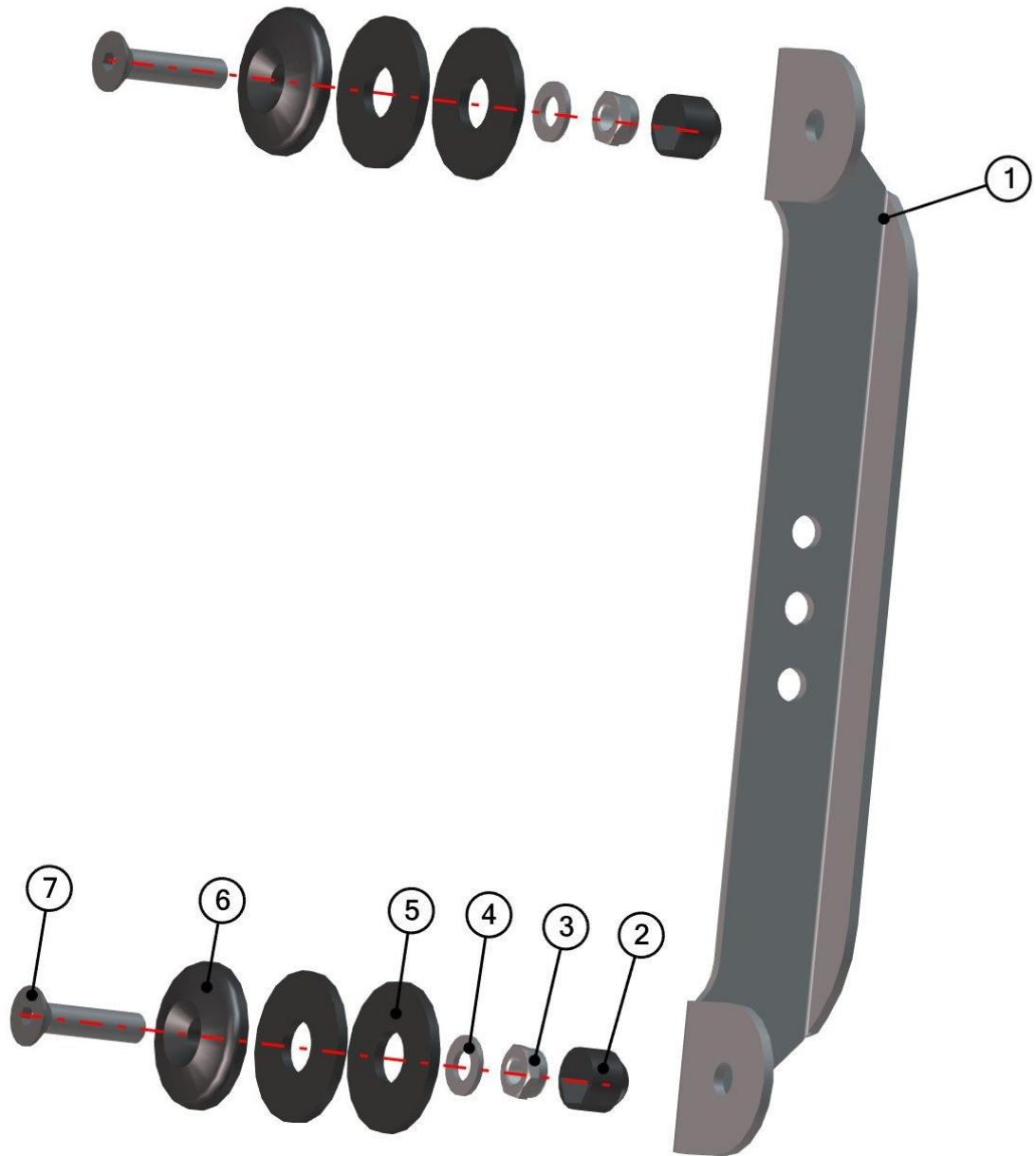
ID	Catalogue no.	Description	Qty
1	001422^42S05U01-10M006	SEAL "PE 50x3"	1
2	42S05U01-10-007	FRONT UPPER LEDGE HOLDER	1
3	001309	PLASTIC NUT COVER OK 13	1
4	001388	SELF-LOCKING NUT M8	1
5	003322	WASHER 8 LARGE	1
6	001428	RUBBER WASHER	1
7	001429	PLASTIC WASHER	1
8	002121	SCREW M8x30	1

FRONT UPPER LEDGE HOLDER ASSEMBLY 2
42S05U01-10M005



ID	Catalogue no.	Description	Qty
1	001420^42S05U01-10M005	SEAL "PE 25x3"	1
2	42S05U01-10-006	FRONT UPPER LEDGE HOLDER 2	1
3	001348	PLASTIC NUT COVER OK 10	1
4	001392	SELF-LOCKING NUT M6	1
5	001337	WASHER 6 LARGE	1
6	001735	RUBBER WASHER	1
7	001715	PLASTIC WASHER	1
8	001761	SCREW M6x20	1

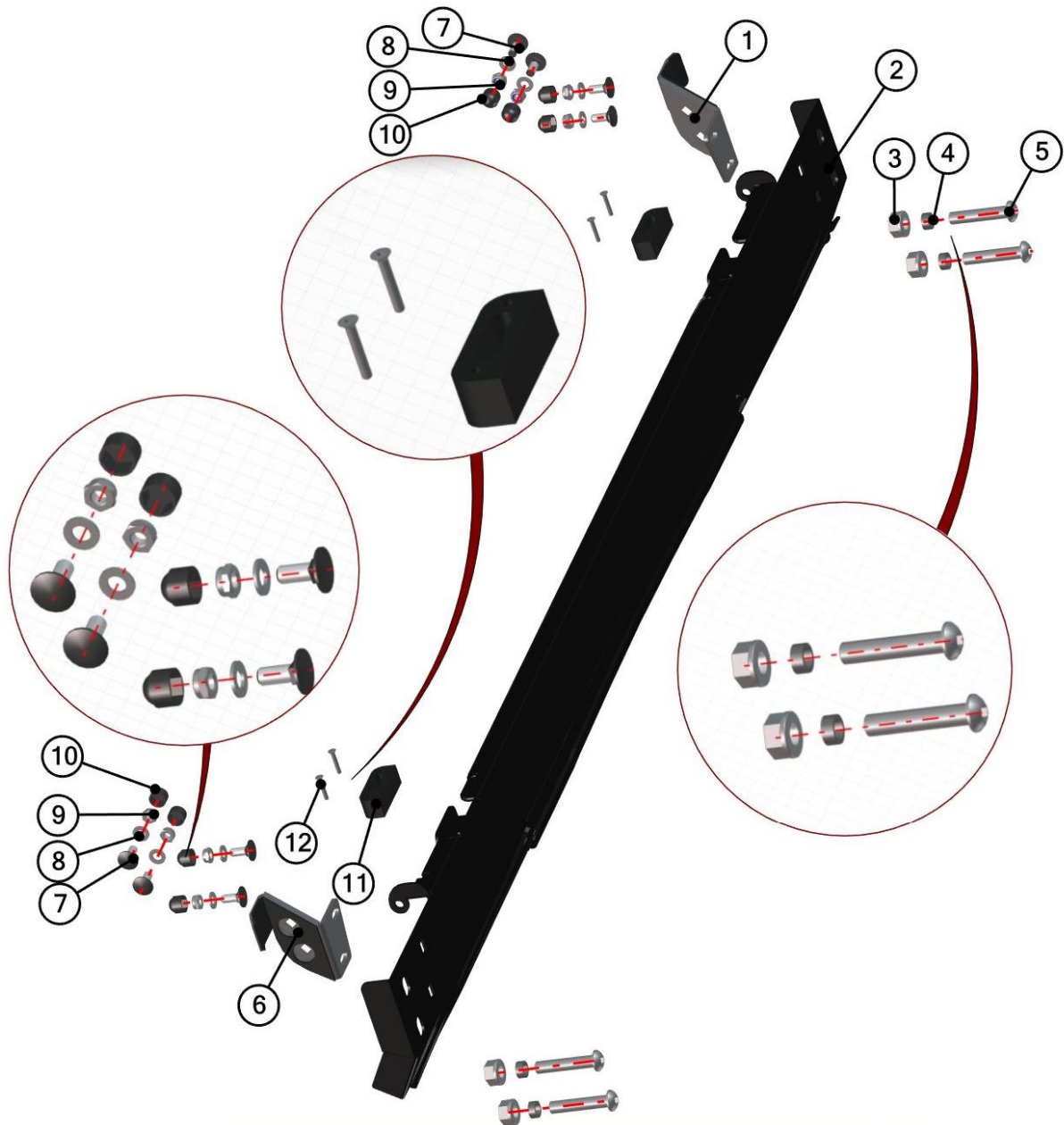
FRONT GAS SPRING HOLDER ASSEMBLY
42S05U01-10M010



ID	Catalogue no.	Description	Qty
1	42S05U01-10-011	GAS SPRIGN HOLDER	1
2	001309	PLASTIC NUT COVER OK 13	2
3	001388	SELF-LOCKING NUT M8	2
4	001387	WASHER 8	2
5	001428	RUBBER WASHER	4
6	001429	PLASTIC WASHER	2
7	001760	SCREW M8x35	2

FRONT BOTTOM LEDGE ASSEMBLY

42S05U01-10M002

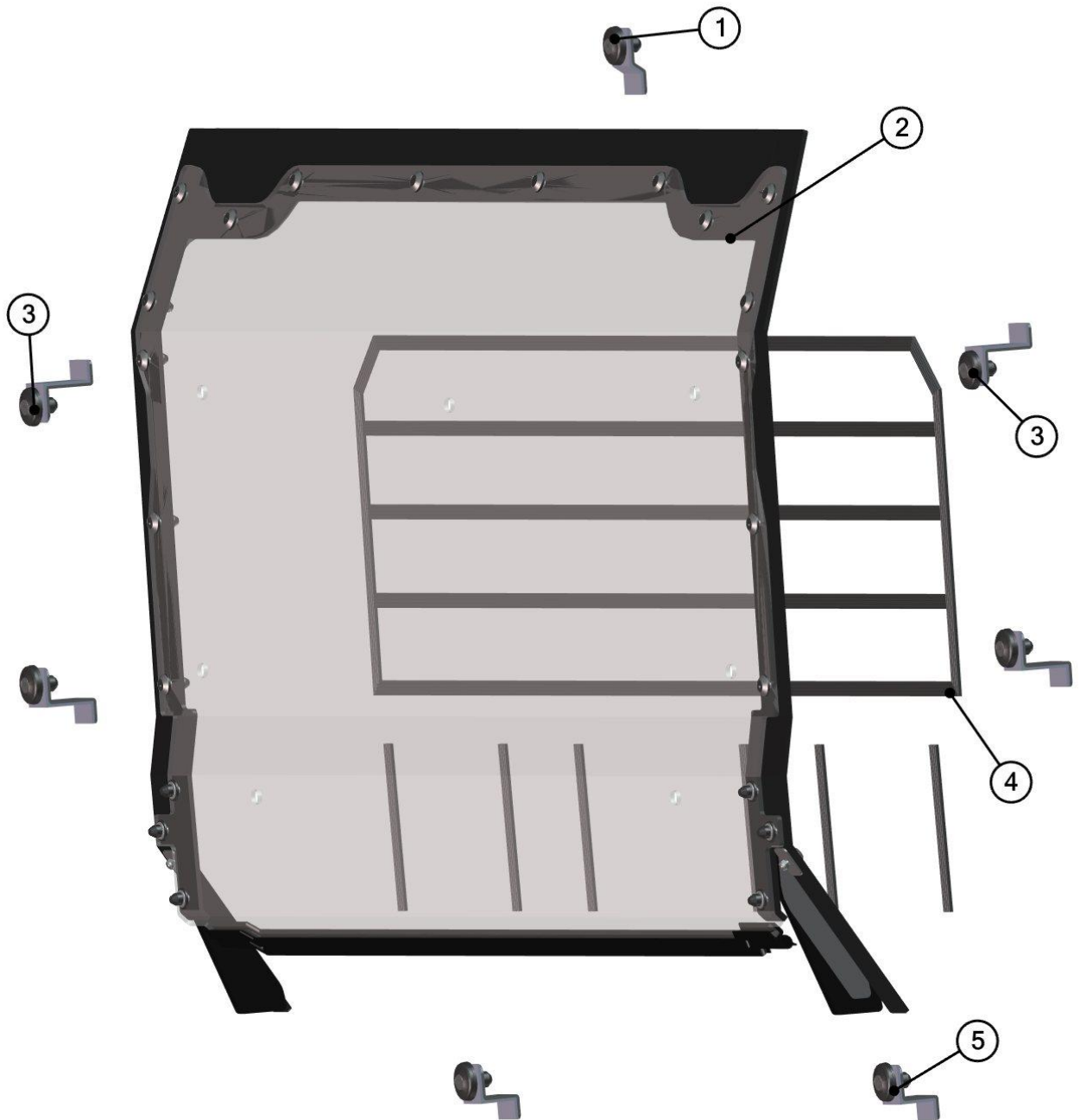


ID	Catalogue no.	Description	Qty
1	42S05U01-10W020	LEFT FRONT BOTTOM LEDGE HOLDER	1
2	42S05U01-10W002	FRONT BOTTOM LEDGE	1
3	002036	NUT M12	4
4	42S05U01-10-010	WASHER	4
5	003918	SCREW M12x60	4
6	42S05U01-10W010	RIGHT FRONT BOTTOM LEDGE HOLDER	1
7	002575	SCREW M8x20	8
8	001387	WASHER 8	8
9	001388	SELF-LOCKING NUT M8	8
10	001309	PLASTIC NUT COVER OK 13	8
11	42S05U01-10-015	FRONT GLASS STOP	2
12	004120	SCREW M4x25	4

REAR PANEL



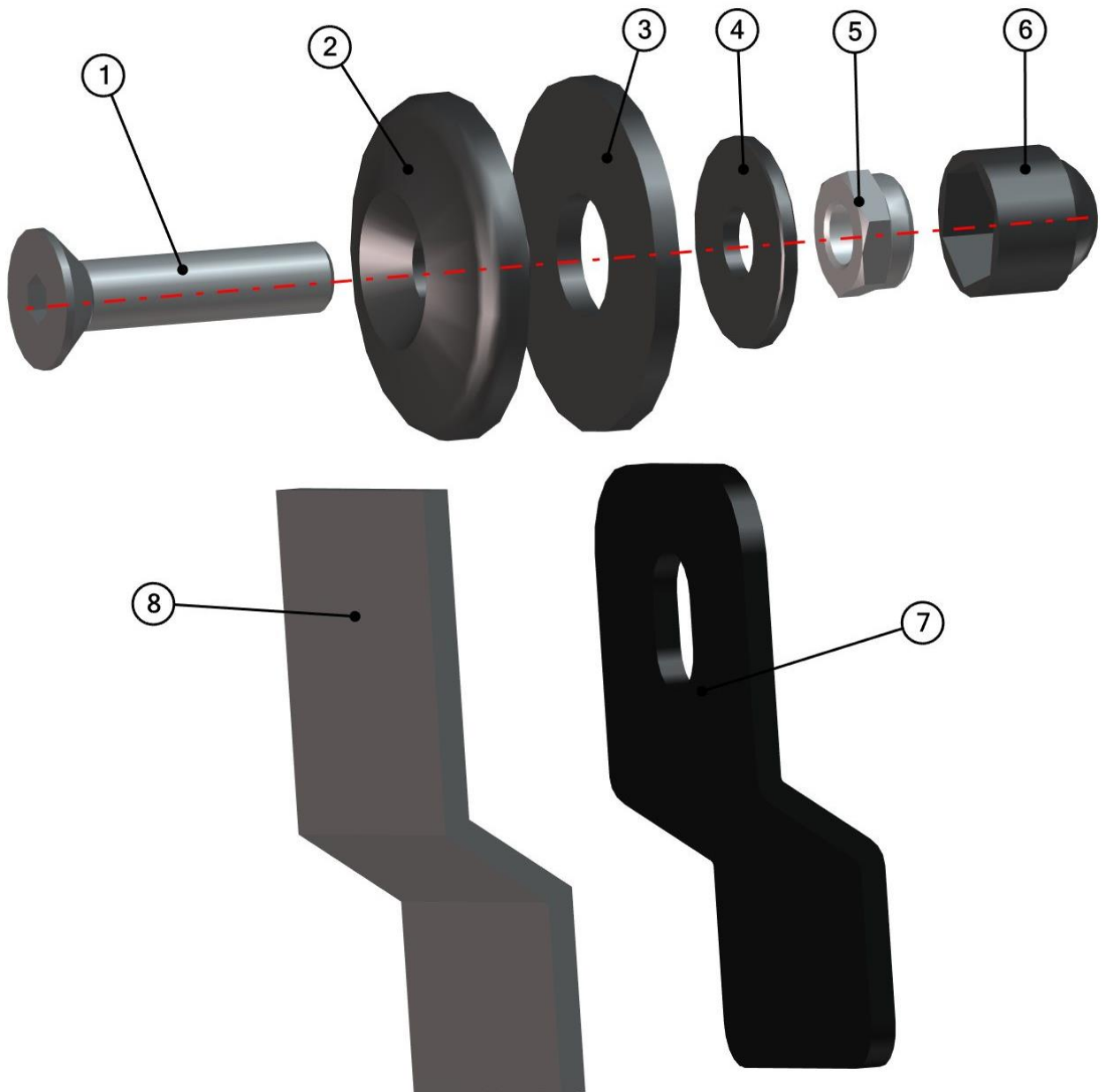
10



11

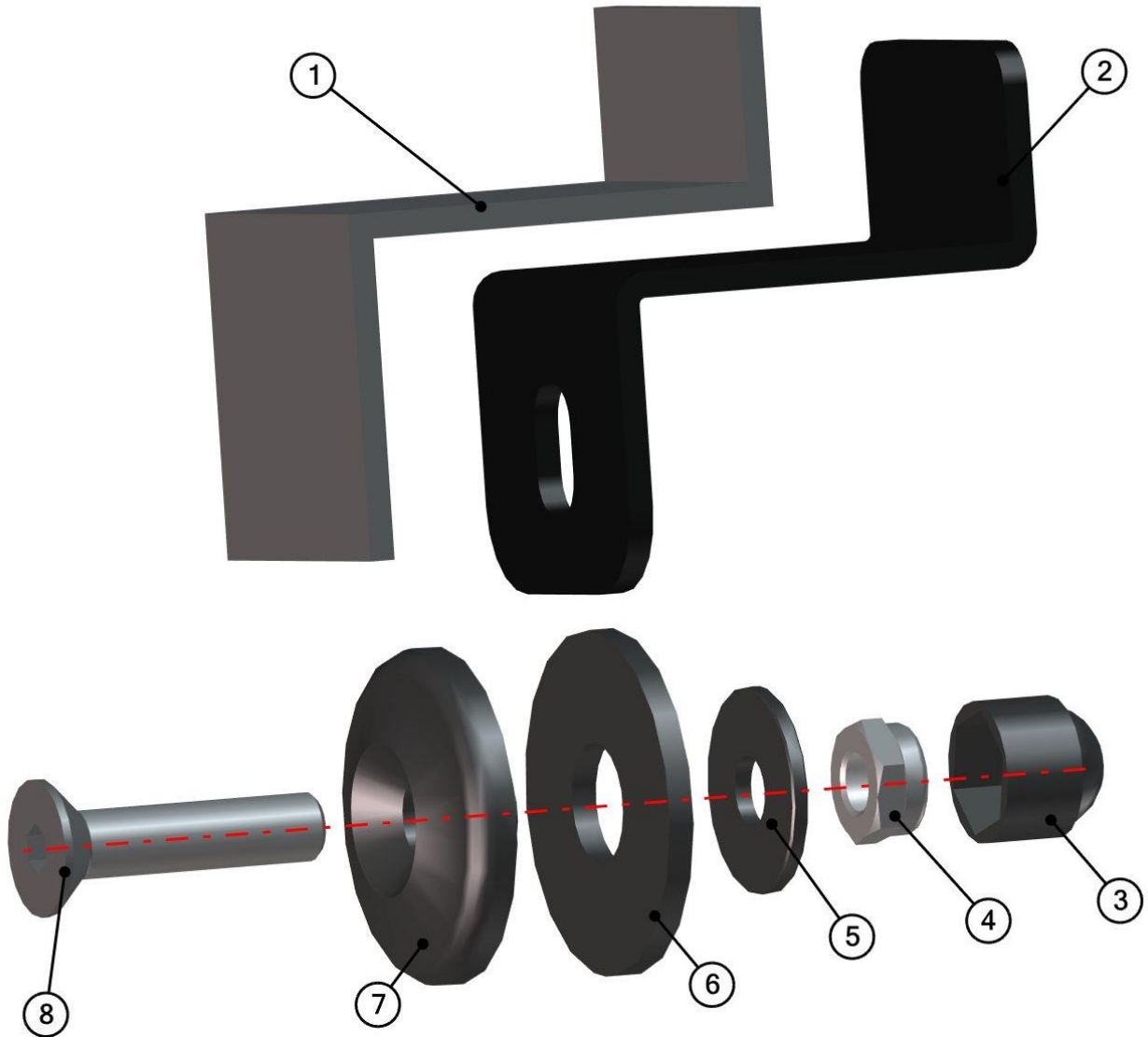
ID	Catalogue no.	Derscription	Qty
1	42S05U01-20M007	REAR UPPER HOLDER ASSEMBLY	1
2	42S05U01-20M001	REAR MAIN PANEL ASSEMBLY	1
3	42S05U01-20M006	REAR SIDE HOLDER ASSEMBLY	4
4	001771^42S05U01S20	RUBBER SEAL "KR 15x4"	1
5	42S05U01-20M008	REAR BOTTOM HOLDER ASSEMBLY	2

REAR UPPER HOLDER ASSEMBLY
42S05U01-20M007



ID	Catalogue no.	Description	Qty
1	001760	SCREW M8x35	1
2	001429	PLASTIC WASHER	1
3	001428	RUBBER WASHER	1
4	003322	WASHER 8 LARGE	1
5	001388	SELF-LOCKING NUT M8	1
6	001309	PLASTIC NUT COVER OK 13	1
7	42S05U01-20-010	REAR UPPER HOLDER	1
8	001420^42S05U01-20M007	SEAL "PE 15x3"	1

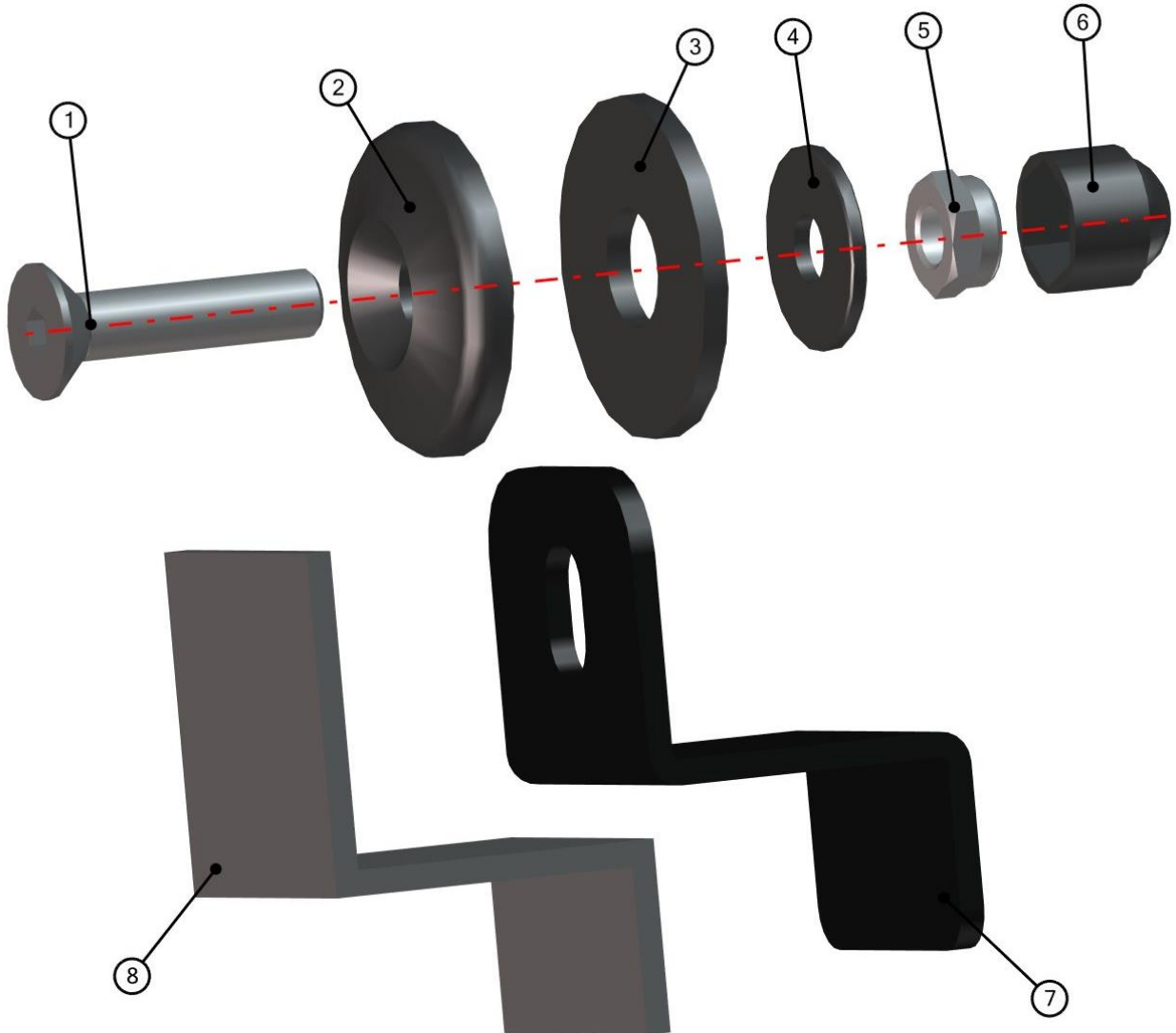
REAR SIDE HOLDER ASSEMBLY
42S05U01-20M006



13

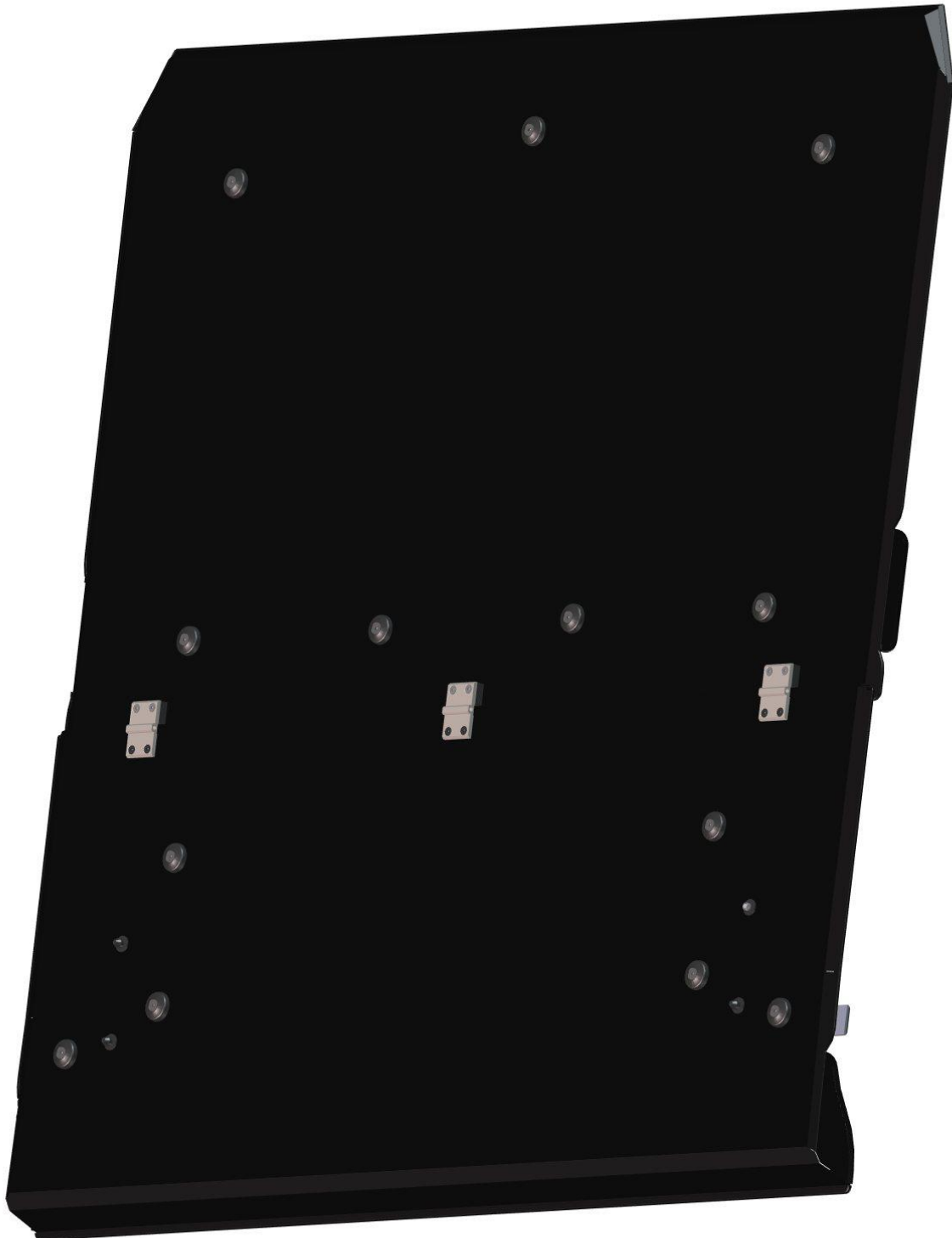
ID	Catalogue no.	Description	Qty
1	001422^42S05U01-20M006	SEAL "PE 50x3"	1
2	42S05U01-20-009	REAR SIDE HOLDER	1
3	001309	PLASTIC NUT COVER OK 13	1
4	001388	SELF-LOCKING NUT M8	1
5	003322	WASHER 8 LARGE	1
6	001428	RUBBER WASHER	1
7	001429	PLASTIC WASHER	1
8	001760	SCREW M8x35	1

REAR BOTTOM HOLDER ASSEMBLY
42S05U01-20M008

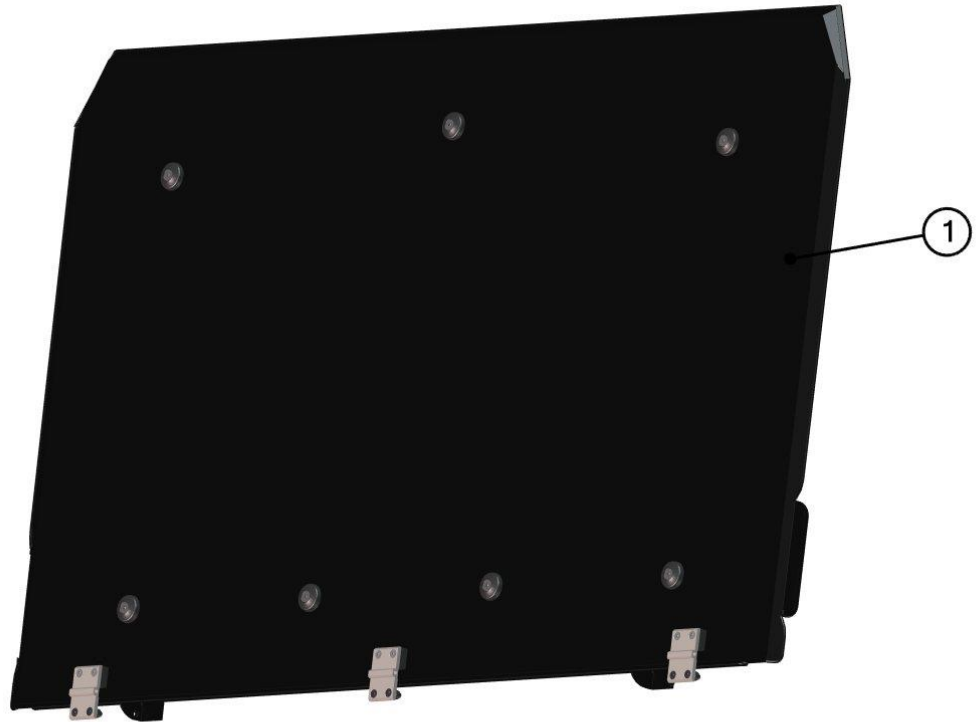


ID	Catalogue no.	Description	Qty
1	001760	SCREW M8x35	1
2	001429	PLASTIC WASHER	1
3	001428	RUBBER WASHER	1
4	003322	WASHER 8 LARGE	1
5	001388	SELF-LOCKING NUT M8	1
6	001309	PLASTIC NUT COVER OK 13	1
7	42S05U01-20-011	REAR BOTTOM HOLDER	1
8	001420^42S05U01-20M008	SEAL "PE 25x3"	1

ROOF

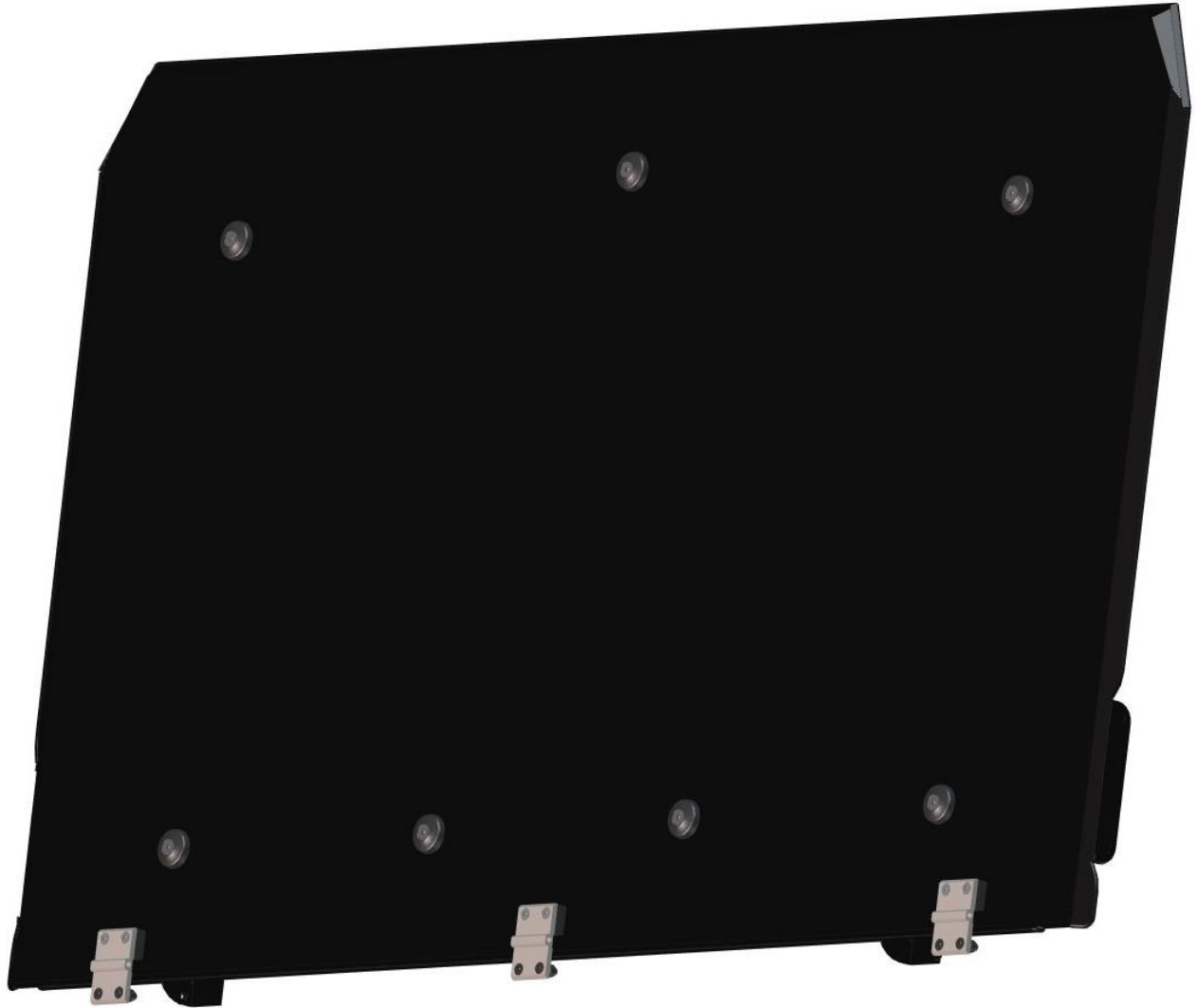


15

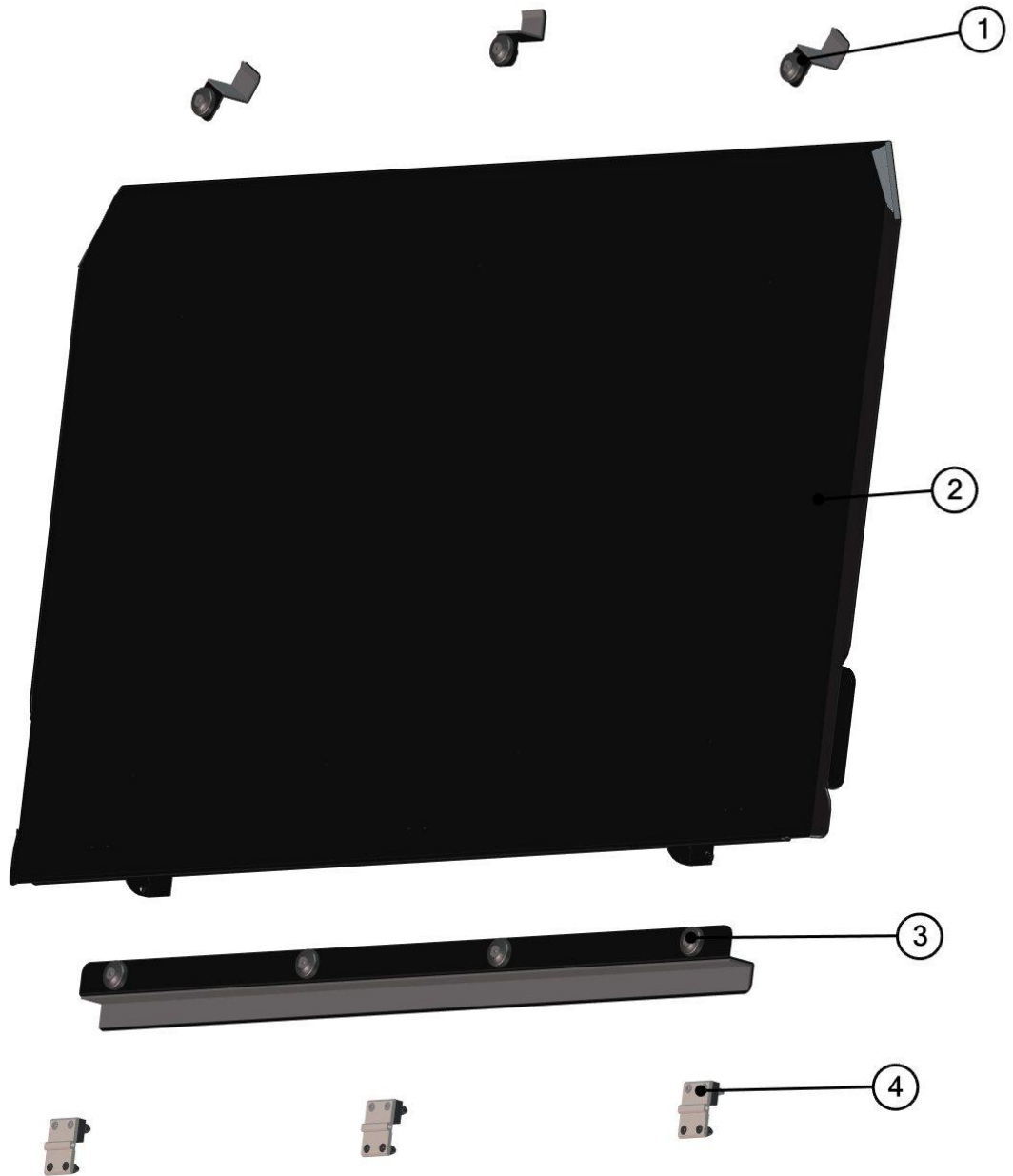


ID	Catalogue no.	Description	Qty
1	42S05U01-30M001	FRONT ROOF ASSEMBLY	1
2	42S05U01-30M002	REAR ROOF ASSEMBLY	1

FRONT ROOF ASSEMBLY



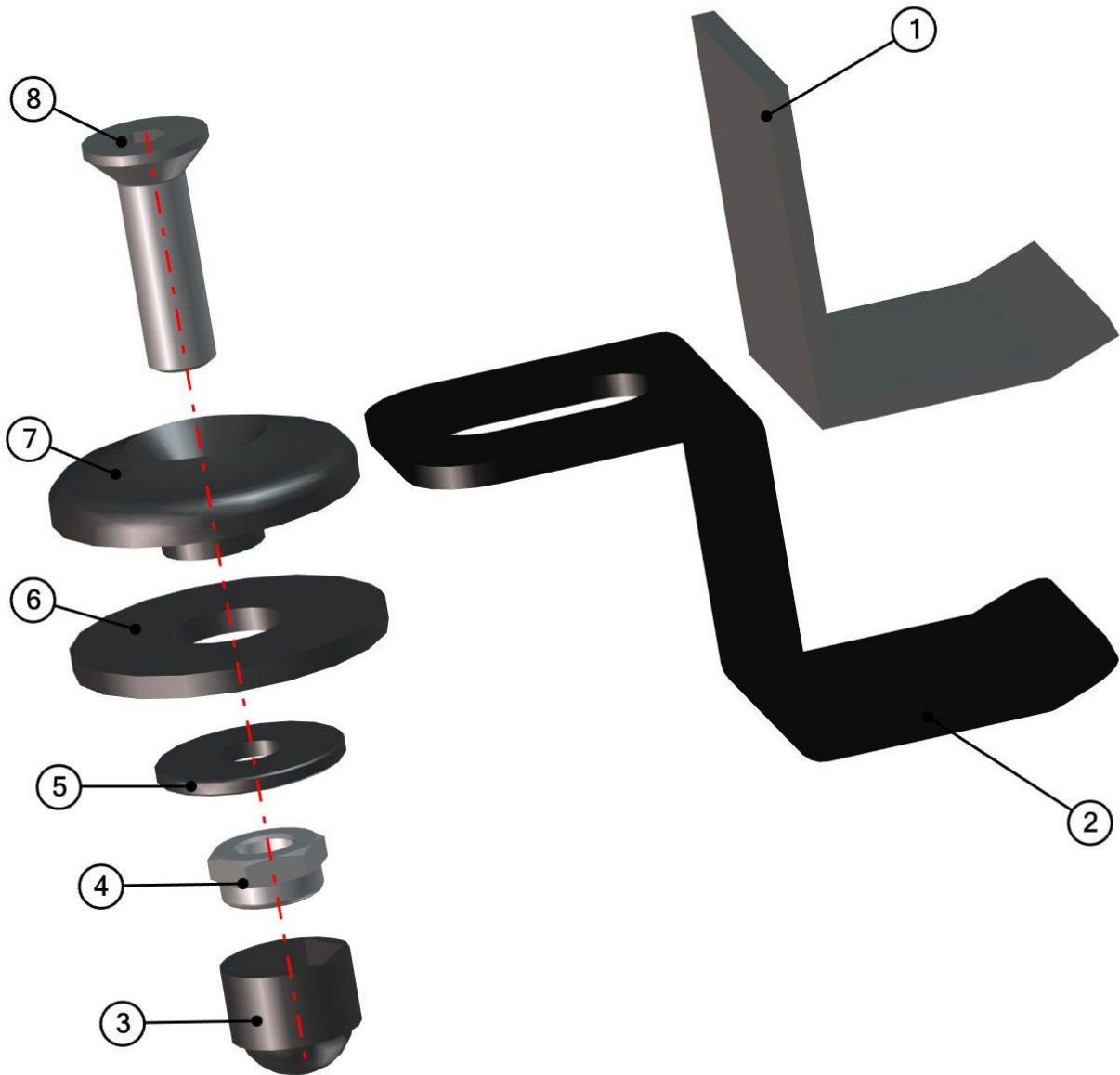
17



18

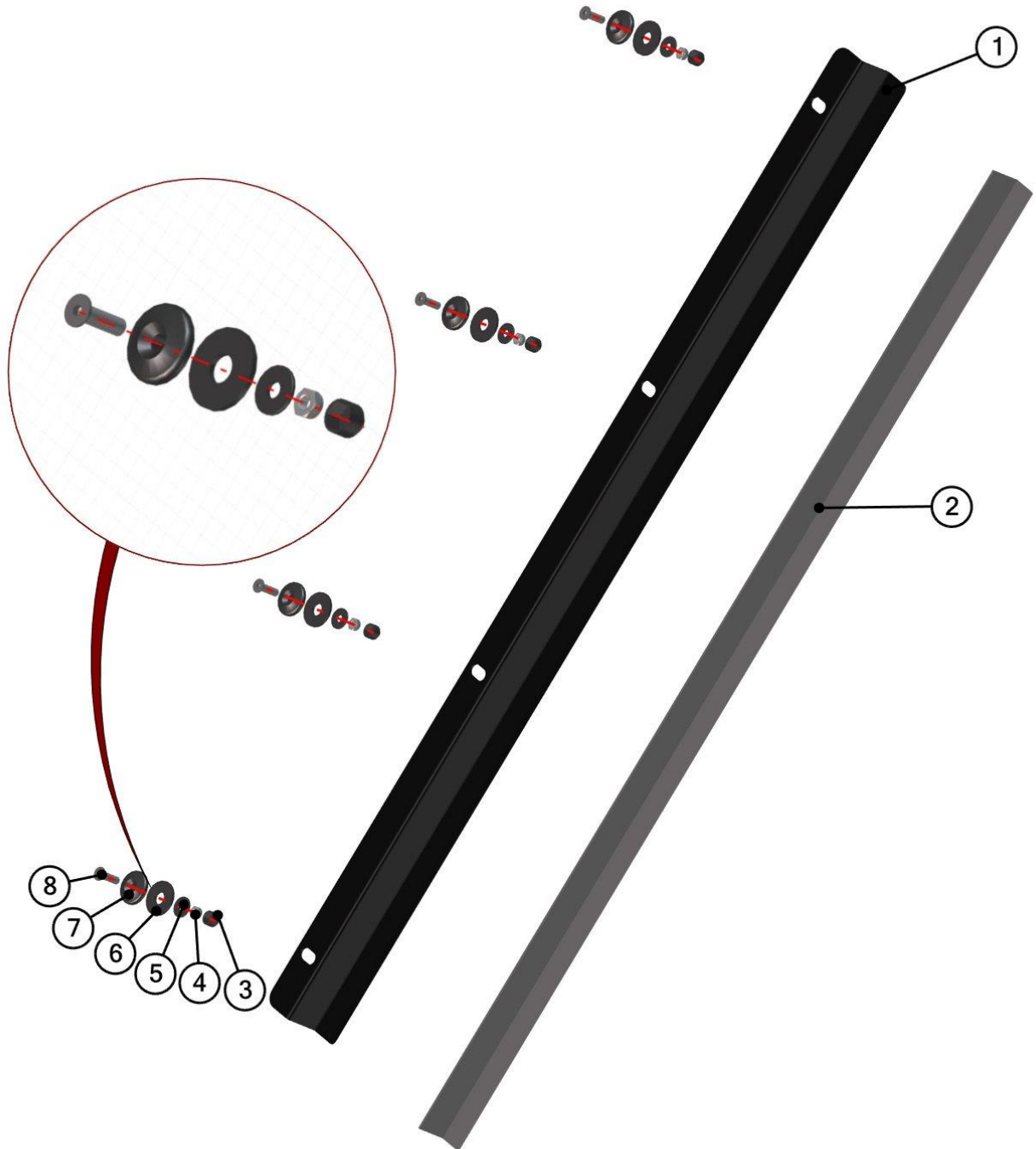
ID	Catalogue no.	Derscription	Qty
1	42S05U01-10M006	ROOF HOLDER ASSEMBLY	3
2	42S05U01-30M010	FRONT ROOF WITH SEALING	1
3	42S05U01-30M008	FRONT ROOF LEDGE ASSEMBLY	1
4	42S05U01-30M003	ROOF HINGE ASSEMBLY	3

ROOF HOLDER ASSEMBLY
42S05U01-10M006



ID	Catalogue no.	Description	Qty
1	001422^42S05U01-10M006	SEAL "PE 50x3"	1
2	42S05U01-10-007	FRONT UPPER LEDGE HOLDER	1
3	001309	PLASTIC NUT COVER OK 13	1
4	001388	SELF-LOCKING NUT M8	1
5	003322	WASHER 8 LARGE	1
6	001428	RUBBER WASHER	1
7	001429	PLASTIC WASHER	1
8	002121	SCREW M8x30	1

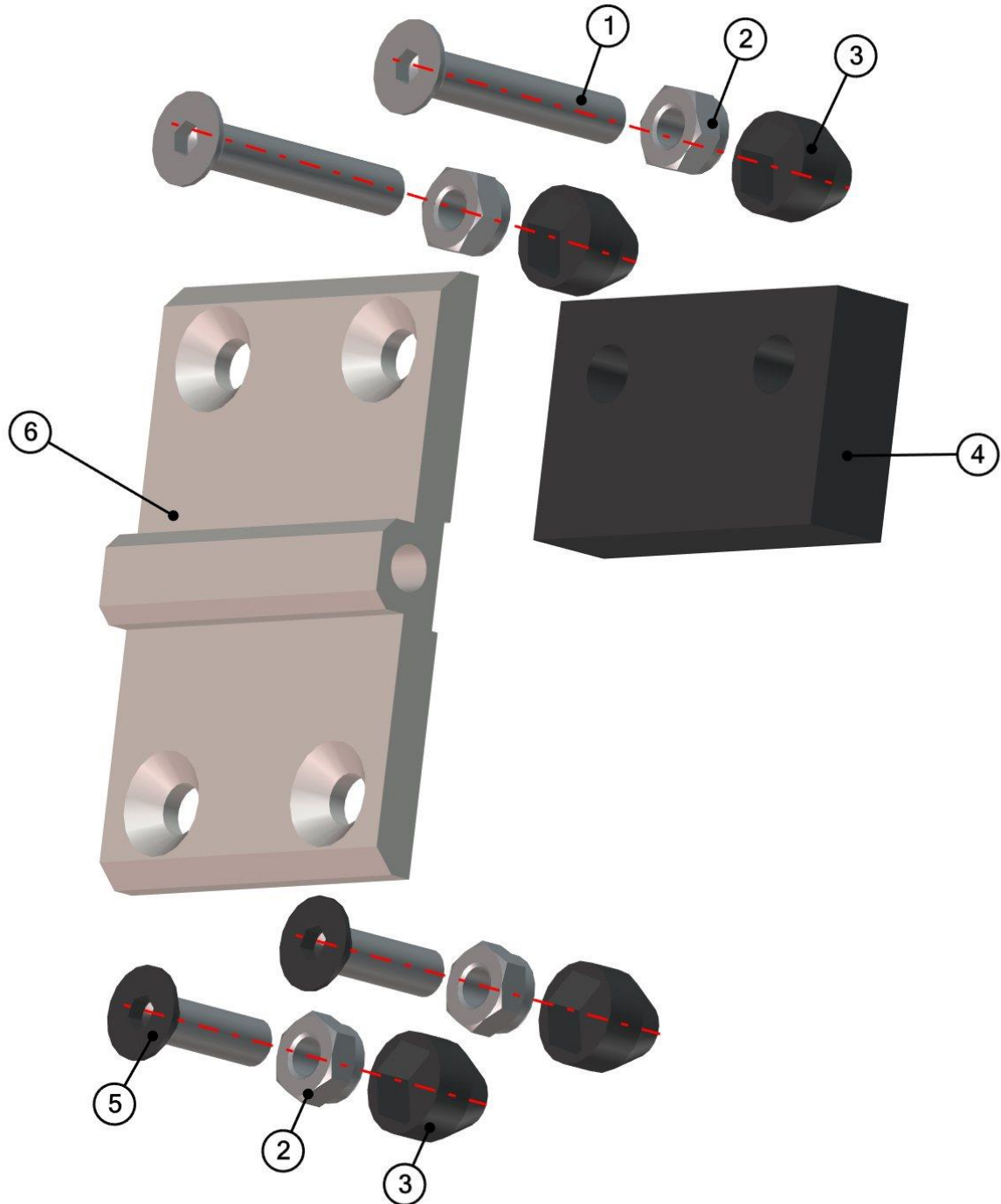
FRONT ROOF LEDGE ASSEMBLY
42S05U01-30M008



20

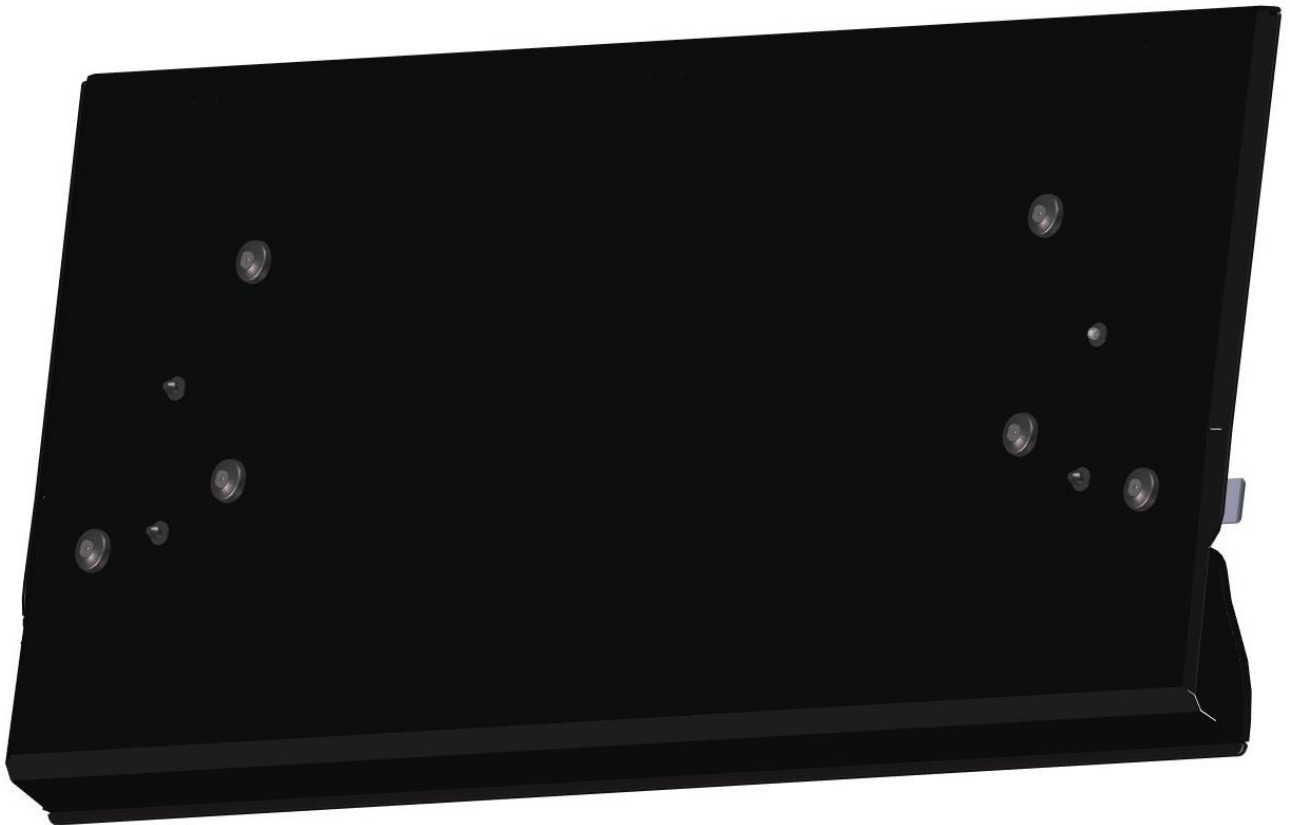
ID	Catalogue no.	Description	Qty
1	42S05U01-30-008	FRONT ROOF HOLDER LEDGE	1
2	001422^42S05U01-30M008	SEAL "PE 50x3"	1
3	001309	PLASTIC NUT COVER OK 13	4
4	001388	SELF-LOCKING NUT M8	4
5	003322	WASHER 8 LARGE	4
6	001428	RUBBER WASHER	4
7	001429	PLASTIC WASHER	4
8	002121	SCREW M8x30	4

ROOF HINGE ASSEMBLY
42S05U01-30M003

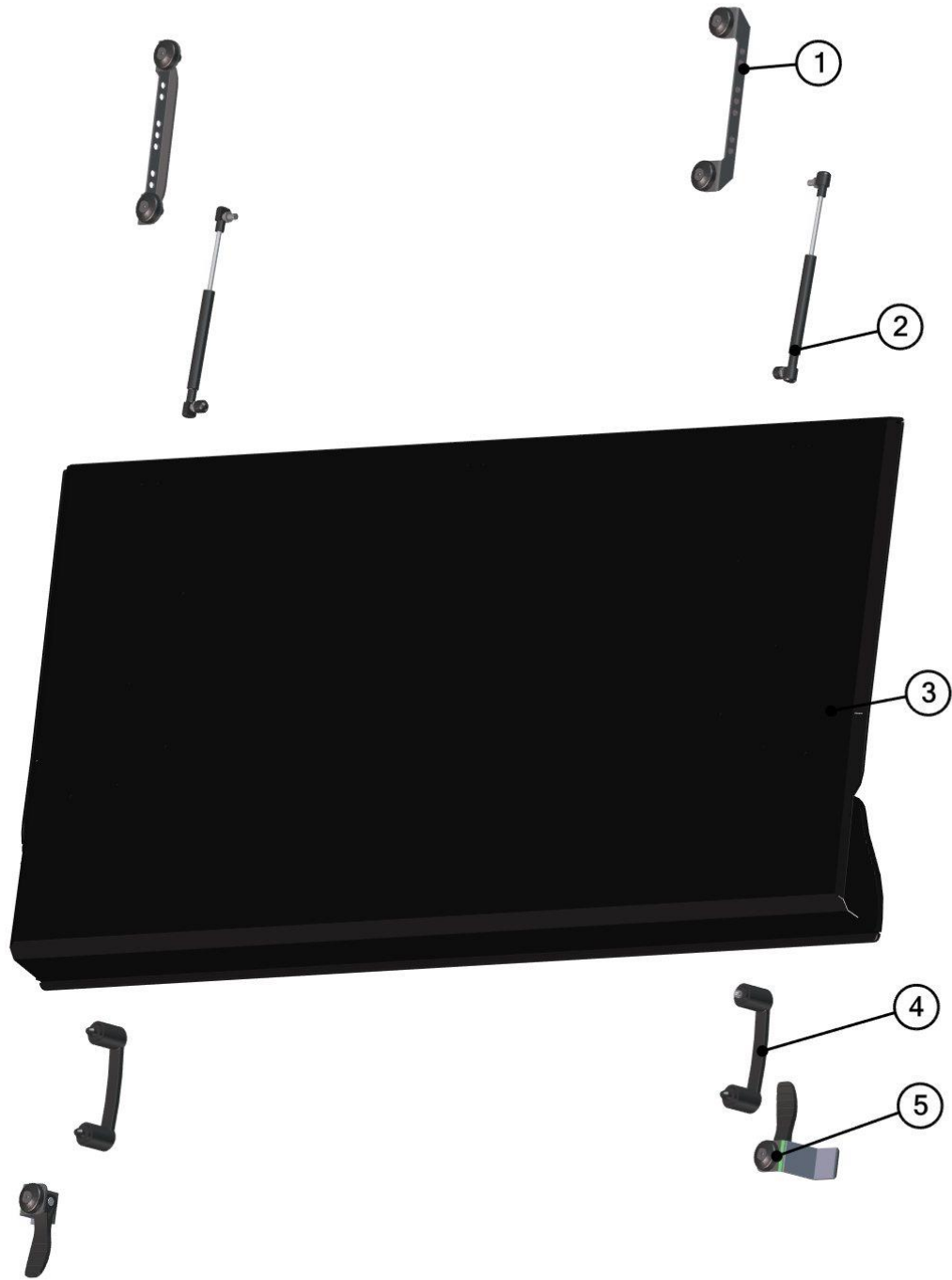


ID	Catalogue no.	Derscription	Qty
1	002952	SCREW M6x35	2
2	001392	SELF-LOCKING NUT M6	4
3	001348	PLASTIC NUT COVER OK 10	4
4	00-30-001	HINGE WASHER	1
5	001761	SCREW M6x20	2
6	001708	PLASTIC HINGE	1

REAR ROOF ASSEMBLY



22

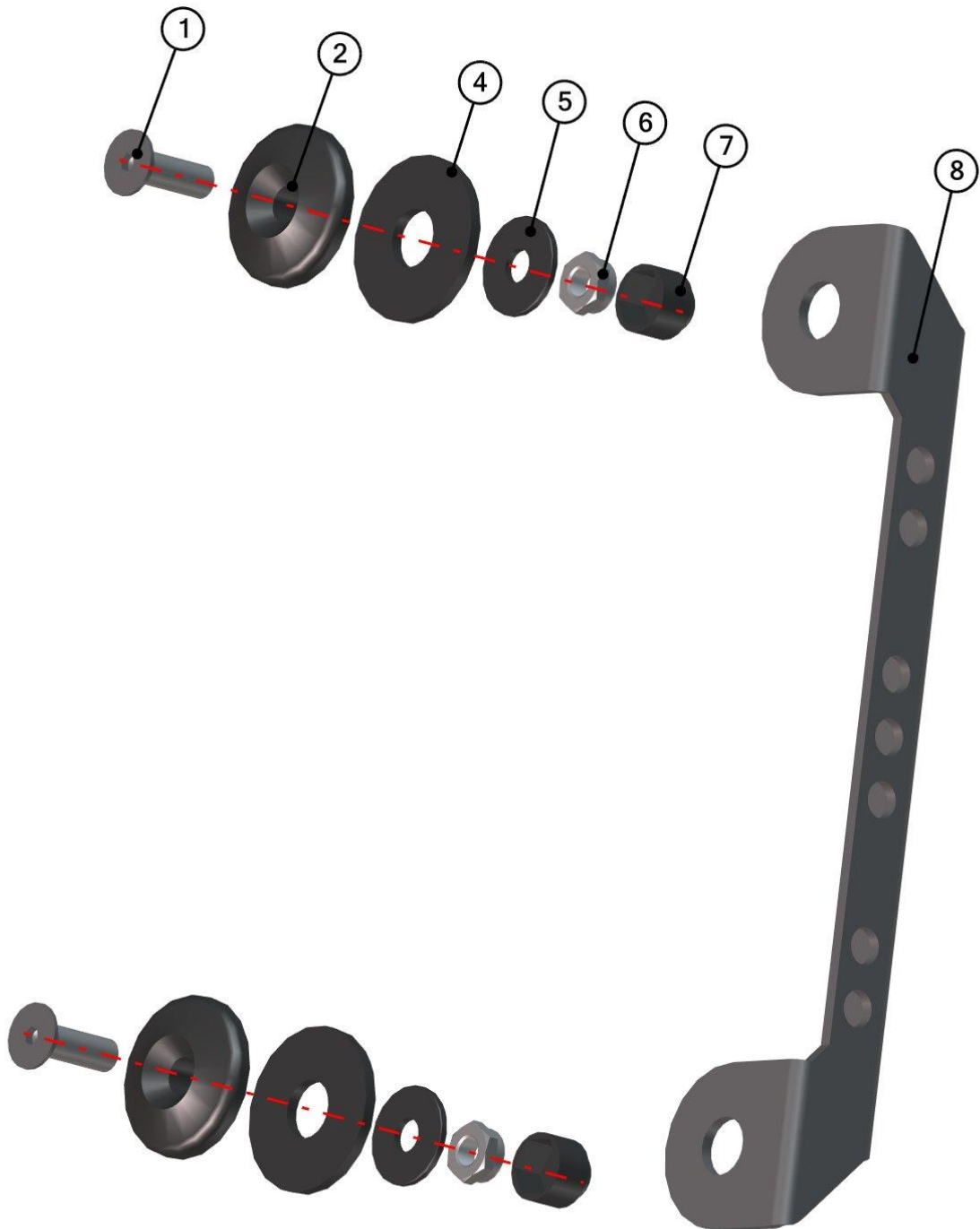


23

ID	Catalogue no.	Description	Qty
1	42S05U01-30M004	ROOF GAS SPRING HOLDER ASSEMBLY	2
2	42S05U01-30M005	ROOF GAS SPRING	2
3	42S05U01-30M011	REAR ROOF PANEL	1
4	42S05U01-30M006	ROOF HANDLE ASSEMBLY	2
5	42S05U01-30M007	REAR ROOF HOLDER ASSEMBLY	2

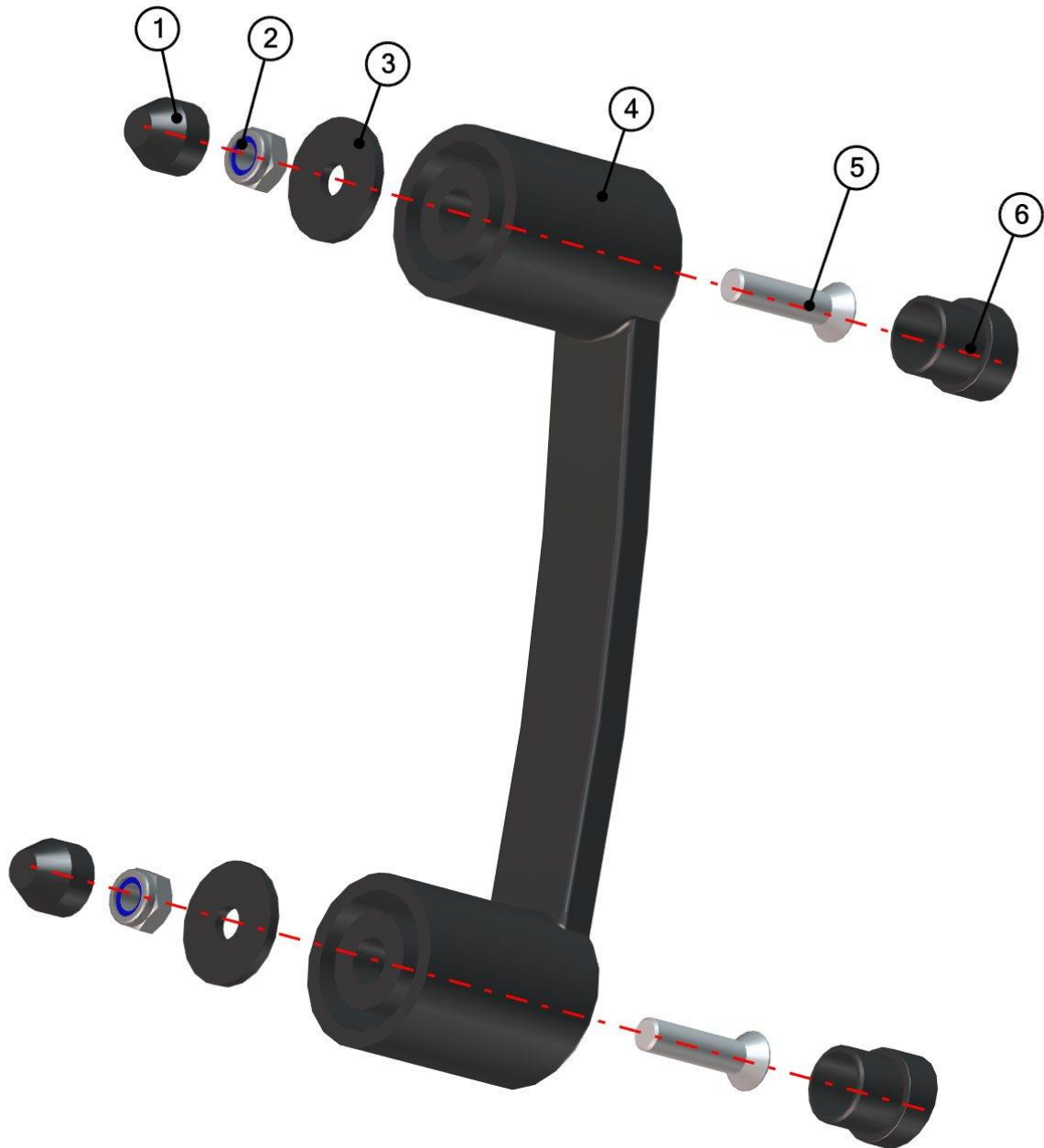
ROOF GAS SPRING HOLDER ASSEMBLY

42S05U01-30M004



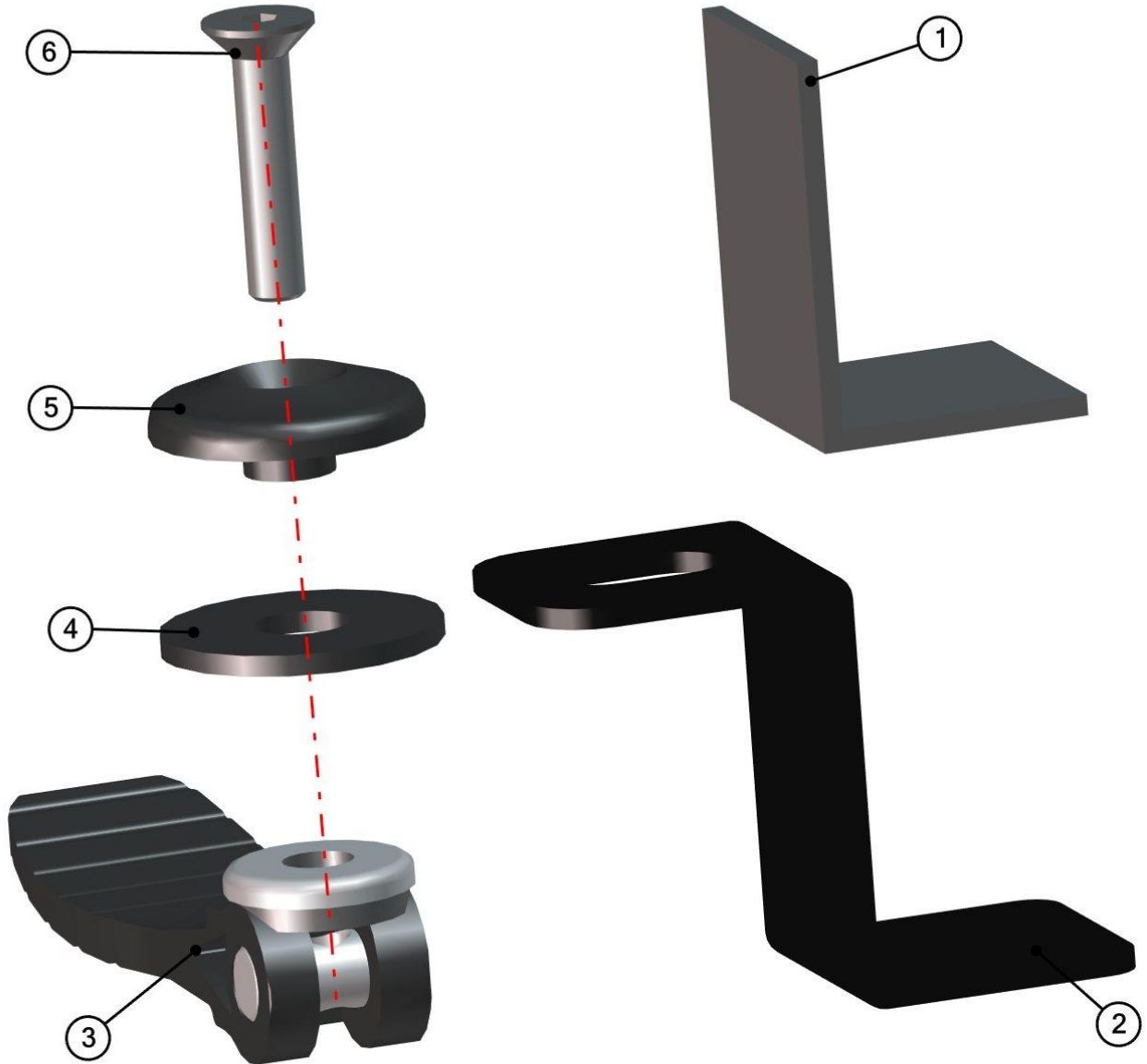
ID	Catalogue no.	Description	Qty
1	001695	SCREW M8x25	2
2	001429	PLASTIC WASHER	2
4	001428	RUBBER WASHER	2
5	003322	WASHER 8 LARGE	2
6	001388	SELF-LOCKING NUT M8	2
7	001309	PLASTIC NUT COVER OK 13	2
8	42S05U01-30-004	ROOF GAS SPRING HOLDER	1

ROOF HANDLE ASSEMBLY
42S05U01-30M006



ID	Catalogue no.	Description	Qty
1	001348	PLASTIC NUT COVER OK 10	2
2	001392	SELF-LOCKING NUT M6	2
3	001735	RUBBER WASHER	2
4	001703	HANDLE	1
5	001393	SCREW M6x25	2
6	001706	PLASTIC COVER	2

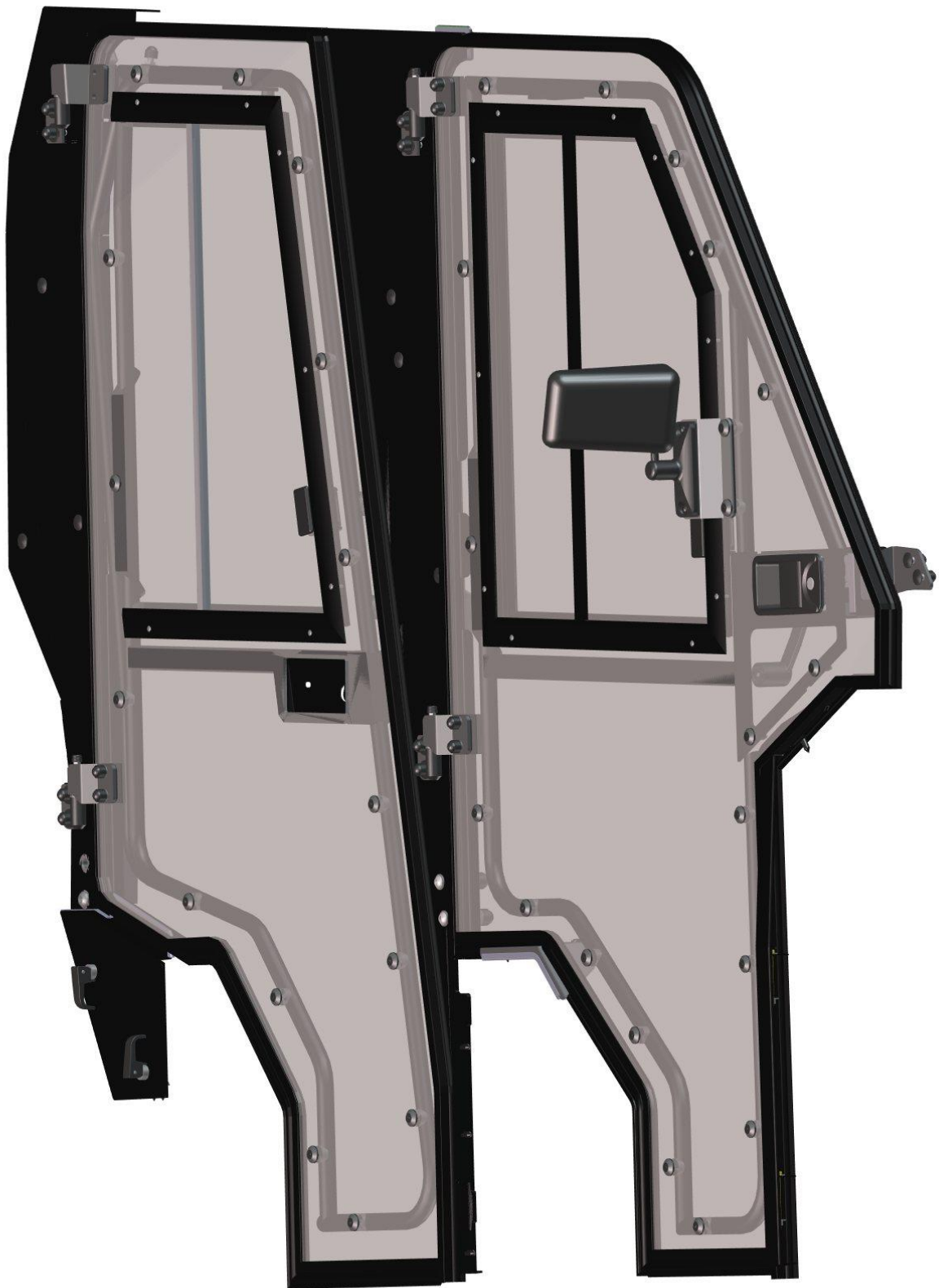
REAR ROOF HOLDER ASSEMBLY
42S05U01-30M007



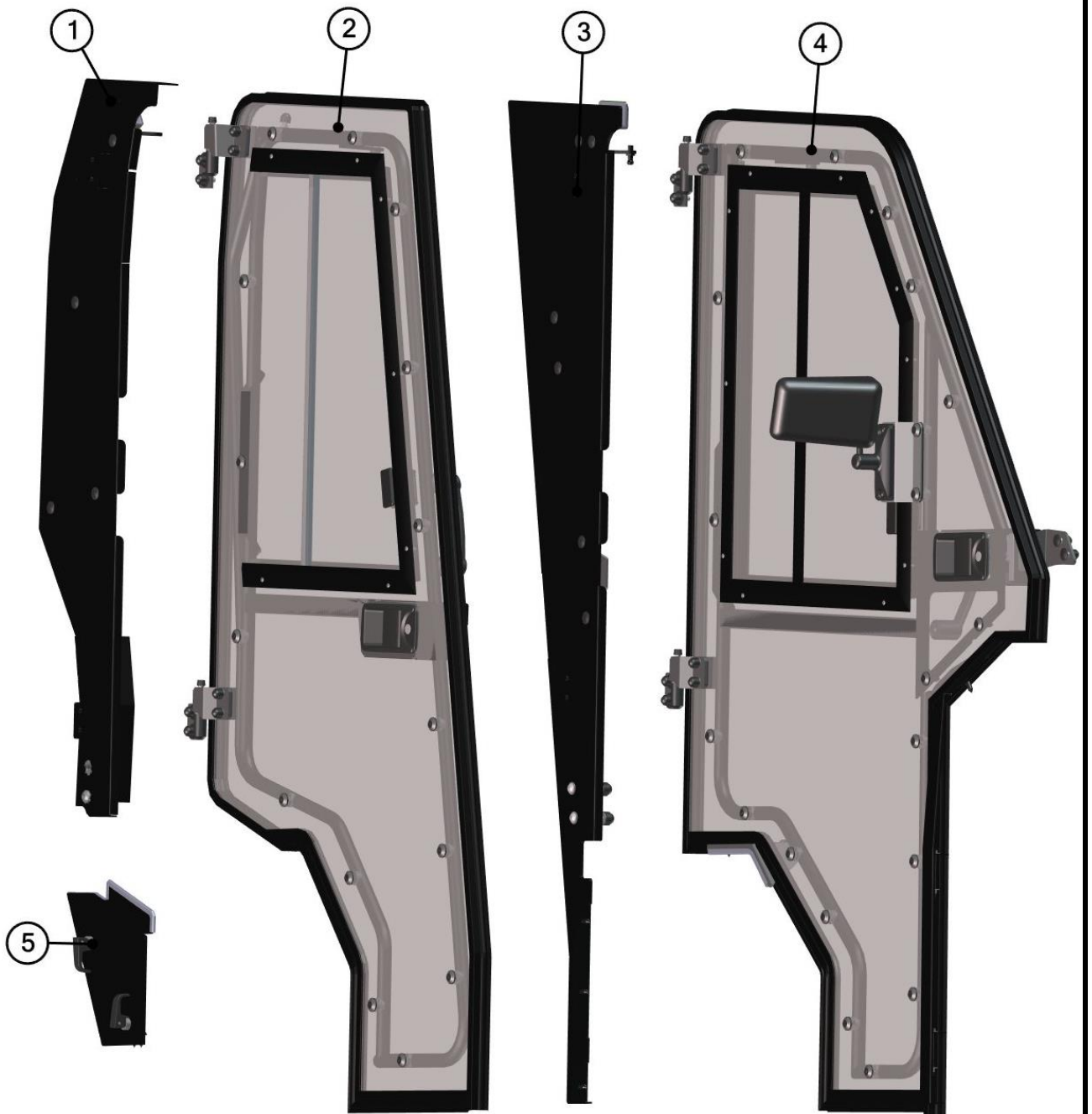
26

ID	Catalogue no.	Description	Qty
1	001422^42S05U01-30M007	SEAL "PE 50x3"	1
2	42S05U01-30-005	REAR ROOF HOLDER	1
3	002740	FAST-LOCK HANDLE	1
4	001428	RUBBER WASHER	1
5	001429	PLASTIC WASHER	1
6	002607	SCREW M8x40	1

LEFT DOOR + RIGHT DOOR



27



SEE NEXT PAGE

LEFT TABLE

ID	Catalogue no.	Derscription	Qty
1	42S05U01-40M001	LEFT REAR DOOR BASE ASSEMBLY	1
2	42S05U01-40M014	LEFT REAR DOOR ASSEMBLY	1
3	42S05U01-40M004	LEFT FRONT DOOR BASE ASSEMBLY	1
4	42S05U01-40M011	LEFT FRONT DOOR ASSEMBLY	1
5	42S05U01-40M024	LEFT REAR DOOR COVER ASSEMBLY	1

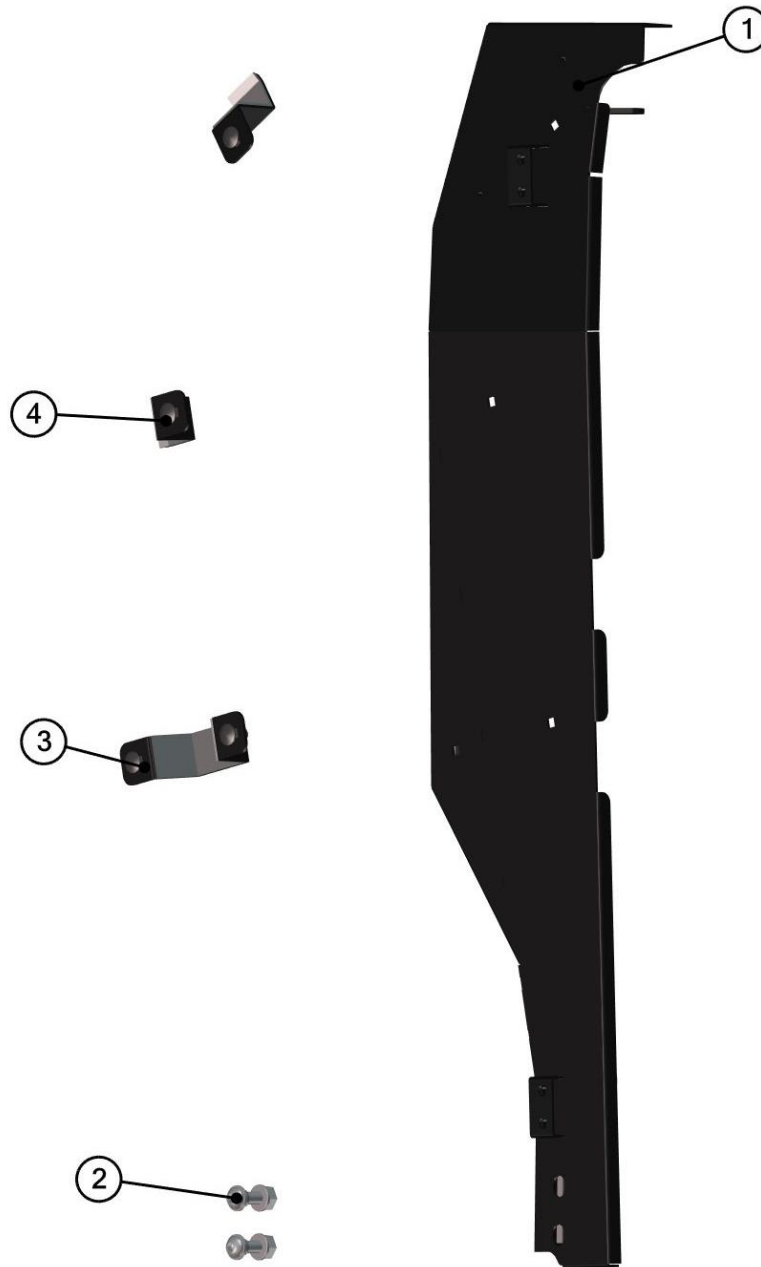
RIGHT TABLE

ID	Catalogue no.	Derscription	Qty
1	42S05U01-50M001	RIGHT REAR DOOR BASE ASSEMBLY	1
2	42S05U01-50M014	RIGHT REAR DOOR ASSEMBLY	1
3	42S05U01-50M004	RIGHT FRONT DOOR BASE ASSEMBLY	1
4	42S05U01-50M011	RIGHT FRONT DOOR ASSEMBLY	1
5	42S05U01-50M024	RIGHT REAR DOOR COVER ASSEMBLY	1

REAR DOOR BASE ASSEMBLY



30



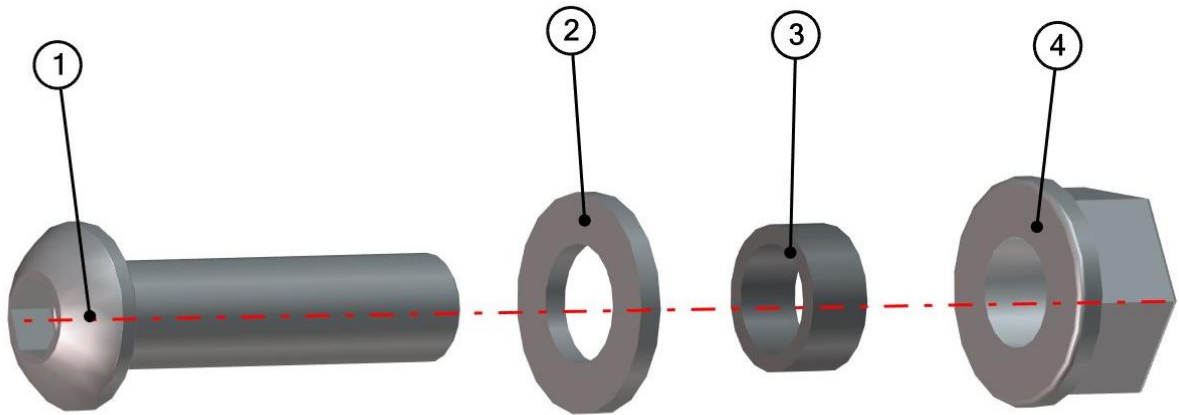
LEFT TABLE

ID	Catalogue no.	Description	Qty
1	42S05U01-40M012	LEFT REAR DOOR BASE	1
2	42S05U01-50M009	DOOR BASE FIXING ASSEMBLY	2
3	42S05U01-50M002	DOOR BASE HOLDER ASSEMBLY 1	1
4	42S05U01-50M003	DOOR BASE HOLDER ASSEMBLY 2	2

RIGHT TABLE

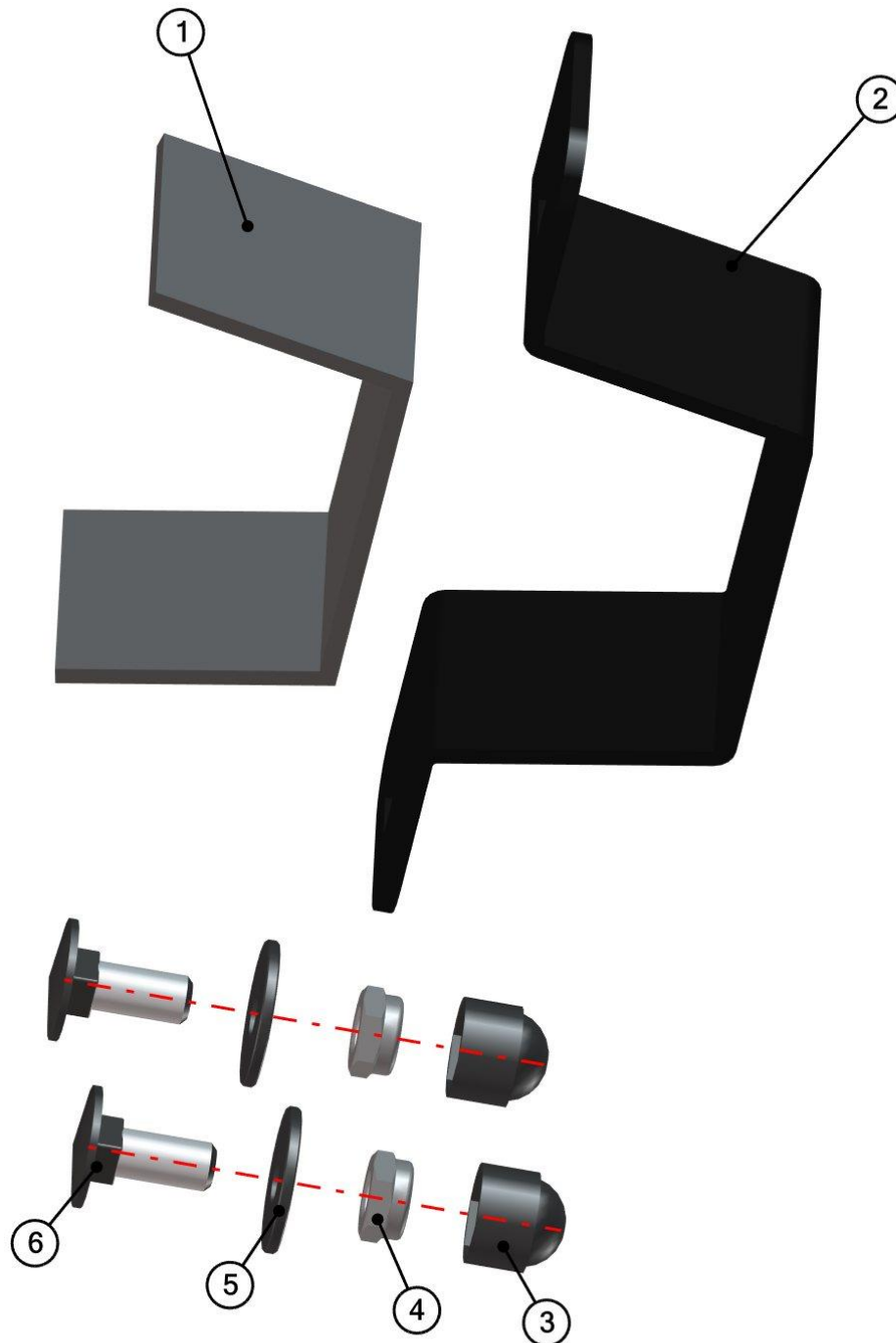
ID	Catalogue no.	Description	Qty
1	42S05U01-50M012	RIGHT REAR DOOR BASE	1
2	42S05U01-50M009	DOOR BASE FIXING ASSEMBLY	2
3	42S05U01-50M002	DOOR BASE HOLDER ASSEMBLY 1	1
4	42S05U01-50M003	DOOR BASE HOLDER ASSEMBLY 2	2

DOOR BASE FIXING ASSEMBLY
42S05U01-50M009



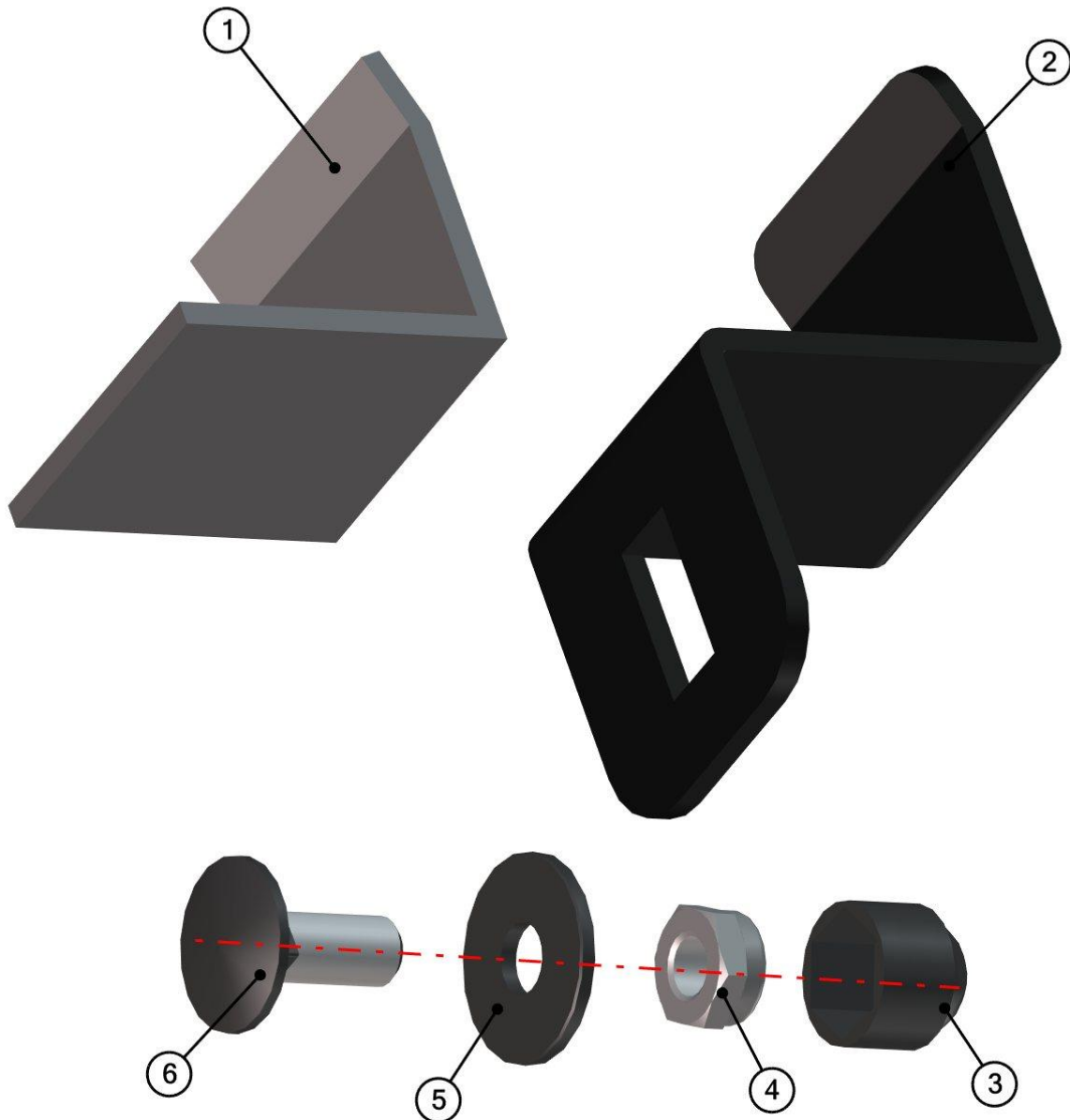
ID	Catalogue no.	Derscription	Qty
1	004055	SCREW M12x45	1
2	002086	WASHER 12	1
3	42S05U01-10-010	DISTANCE WASHER	1
4	002036	NUT M12	1

DOOR BASE HOLDER ASSEMBLY 1
42S05U01-50M002



ID	Catalogue no.	Derscription	Qty
1	001422^42S05U01-50M002	SEAL "PE 50x3"	1
2	42S05U01-50-004	REAR DOOR BASE MIDDLE HOLDER	1
3	001309	PLASTIC NUT COVER OK 13	2
4	001388	SELF-LOCKING NUT M8	2
5	003322	WASHER 8 LARGE	2
6	002575	SCREW M8x20	2

DOOR BASE HOLDER ASSEMBLY 2
42S05U01-50M003



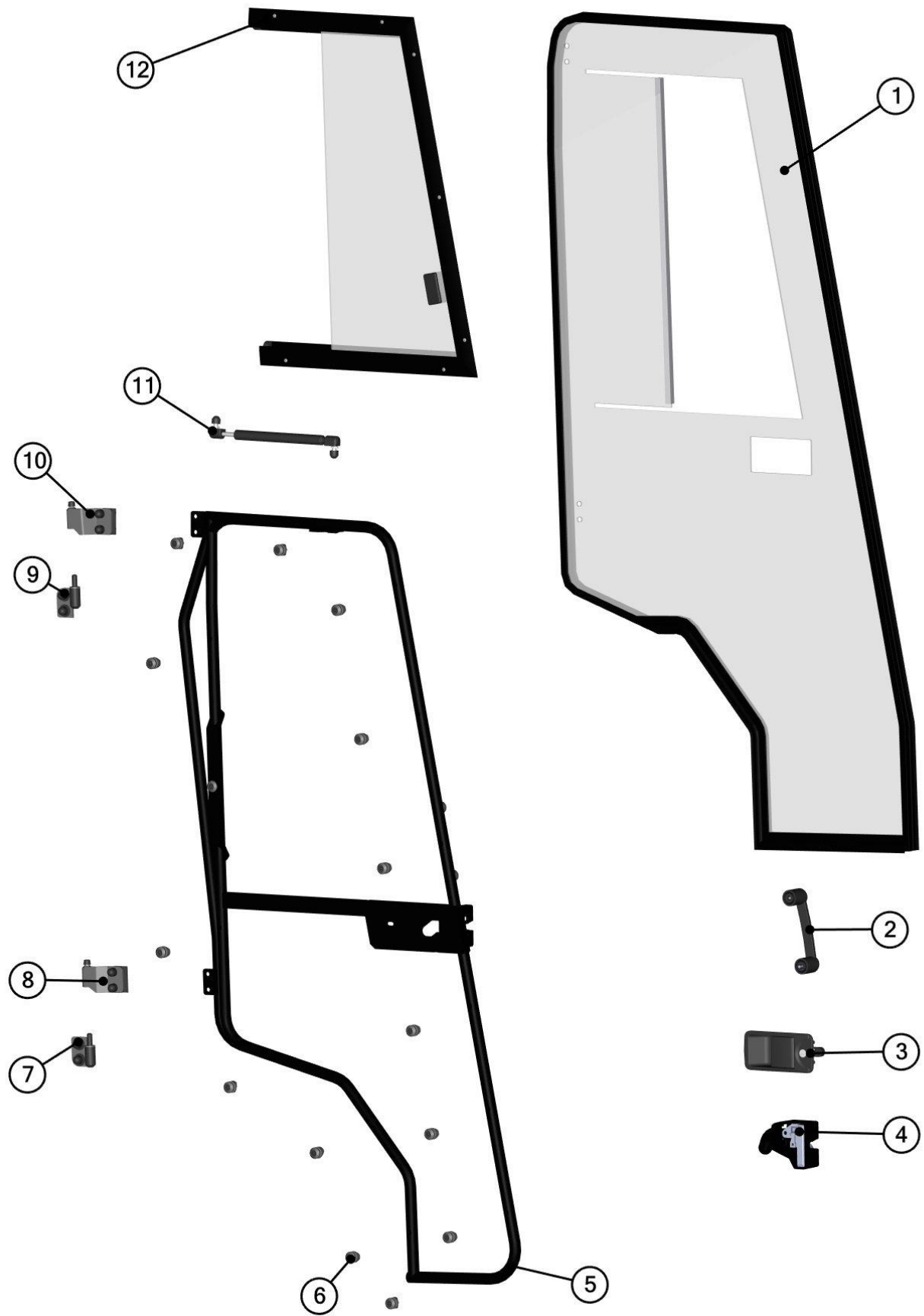
34

ID	Catalogue no.	Description	Qty
1	001422^42S05U01-50M003	SEAL "PE 50x3"	1
2	42S05U01-50-005	DOOR BASE UPPER HOLDER	1
3	001309	PLASTIC NUT COVER OK 13	1
4	001388	SELF-LOCKING NUT M8	1
5	003322	WASHER 8 LARGE	1
6	002575	SCREW M8x20	1

REAR DOOR ASSEMBLY



35



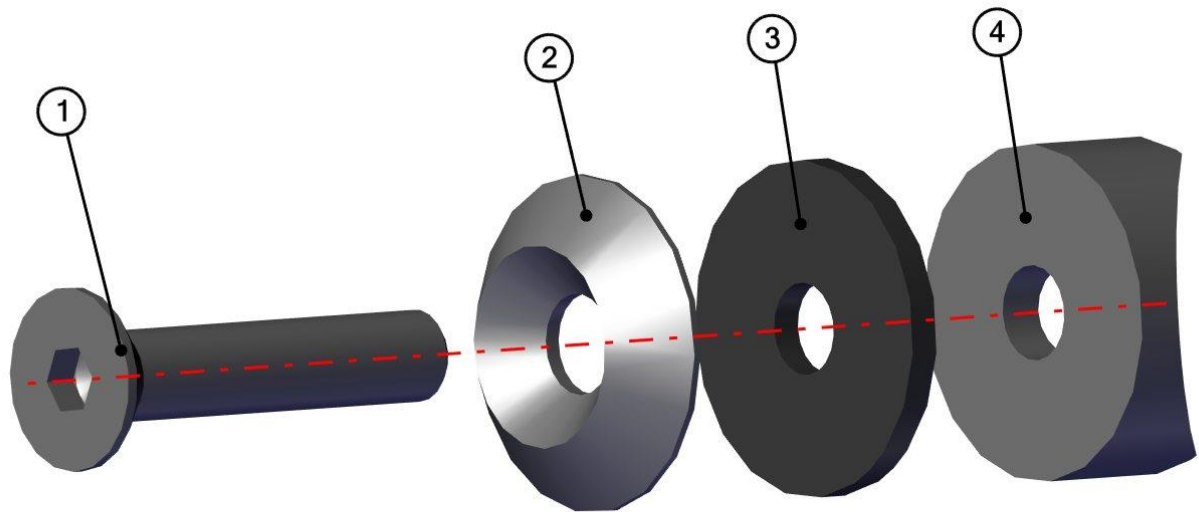
LEFT TABLE

ID	Catalogue no.	Derscription	Qty
1	42S05U01-40M013	LEFT REAR DOOR POLYCARBONATE	1
2	00-40M018	DOOR HANDLE	1
3	000841	OUTER DOOR LOCK	1
4	00-40M019	LEFT INNER DOOR LOCK	1
5	42S05U01-40W004	LEFT REAR DOOR FRAME WELDED	1
6	00-00M019	POLYCARBONATE FIXING ASSEMBLY	14
7	42S05U01-40M018	LEFT BOTTOM FRAME HINGE ASSEMBLY	1
8	42S05U01-40M026	LEFT BOTTOM DOOR HINGE ASSEMBLY	1
9	42S05U01-40M017	LEFT UPPER FRAME HINGE ASSEMBLY	1
10	42S05U01-40M015	LEFT UPPER DOOR HINGE ASSEMBLY	1
11	42S05U01-50M030	REAR DOOR GAS SPRING ASSEMBLY	1
12	42S05U01-40M016	LEFT REAR WINDOW ASSEMBLY	1

RIGHT TABLE

ID	Catalogue no.	Derscription	Qty
1	42S05U01-50M013	RIGHT REAR DOOR POLYCARBONATE	1
2	00-40M018	DOOR HANDLE	1
3	000841	OUTER DOOR LOCK	1
4	00-50M019	RIGHT INNER DOOR LOCK	1
5	42S05U01-50W004	RIGHT REAR DOOR FRAME WELDED	1
6	00-00M019	POLYCARBONATE FIXING ASSEMBLY	14
7	42S05U01-50M018	RIGHT BOTTOM FRAME HINGE ASSEMBLY	1
8	42S05U01-50M026	RIGHT BOTTOM DOOR HINGE ASSEMBLY	1
9	42S05U01-50M017	RIGHT UPPER FRAME HINGE ASSEMBLY	1
10	42S05U01-50M015	RIGHT UPPER DOOR HINGE ASSEMBLY	1
11	42S05U01-50M030	REAR DOOR GAS SPRING ASSEMBLY	1
12	42S05U01-50M016	RIGHT REAR WINDOW ASSEMBLY	1

POLYCARBONATE FIXING ASSEMBLY
00-00M019

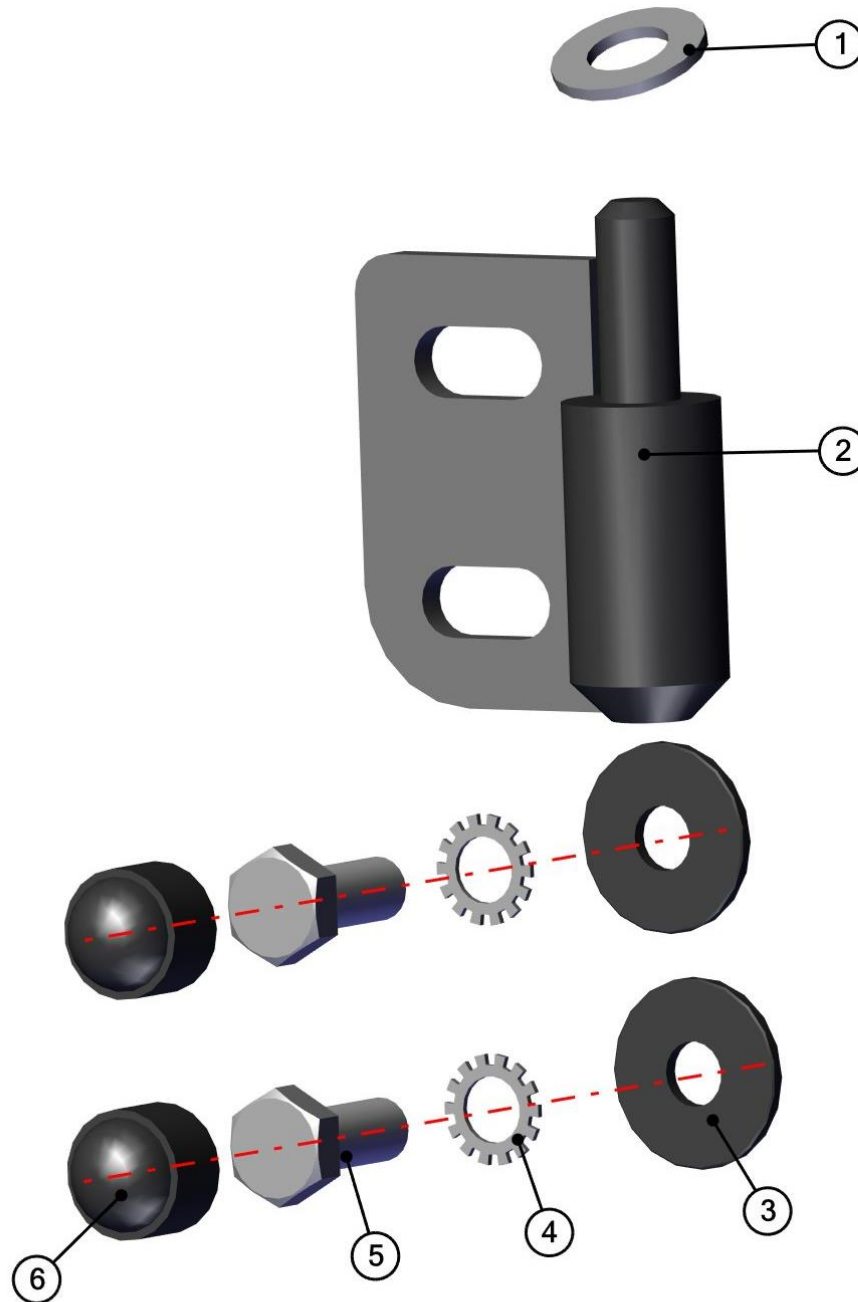


38

ID	Catalogue no.	Derscription	Qty
1	001701	SCREW M6x30	1
2	001715	PLASTIC WASHER	1
3	001735	RUBBER WASHER	1
4	001736	SADDLE WASHER	1

RIGHT BOTTOM FRAME HINGE ASSEMBLY

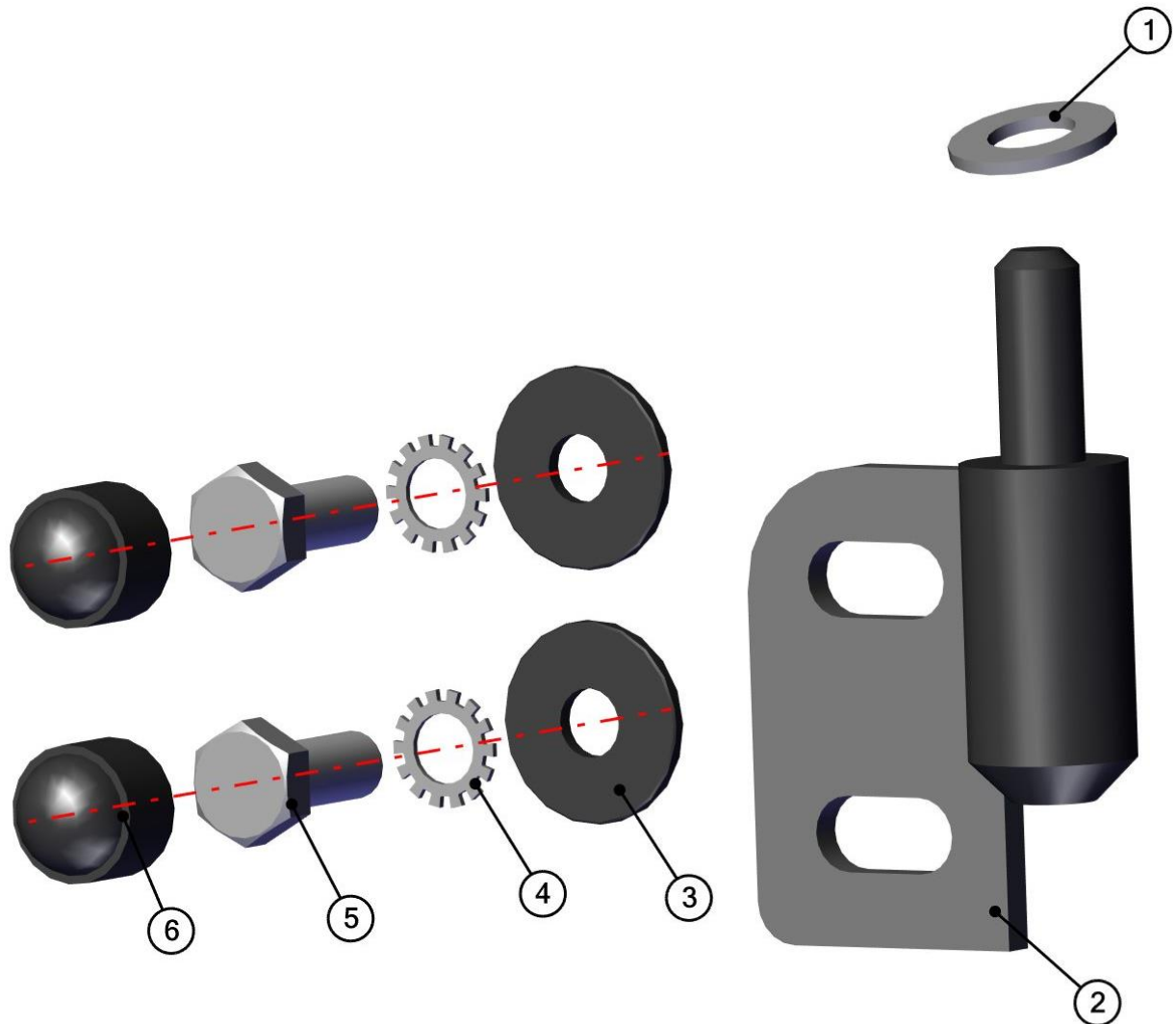
42S05U01-50M018



ID	Catalogue no.	Description	Qty
1	001485	WASHER 10	1
2	42S05U01-50W006	RIGHT BOTTOM FRAME HINGE	1
3	003322	WASHER 8 LARGE	2
4	001489	SERATTED-LOCK WASHER 8	2
5	001437	SCREW M8x20	2
6	001309	PLASTIC NUT COVER OK 13	2

For the LEFT BOTTOM FRAME HINGE just use **42S05U01-40W006**.

RIGHT UPPER FRAME HINGE
42S05U01-50M017



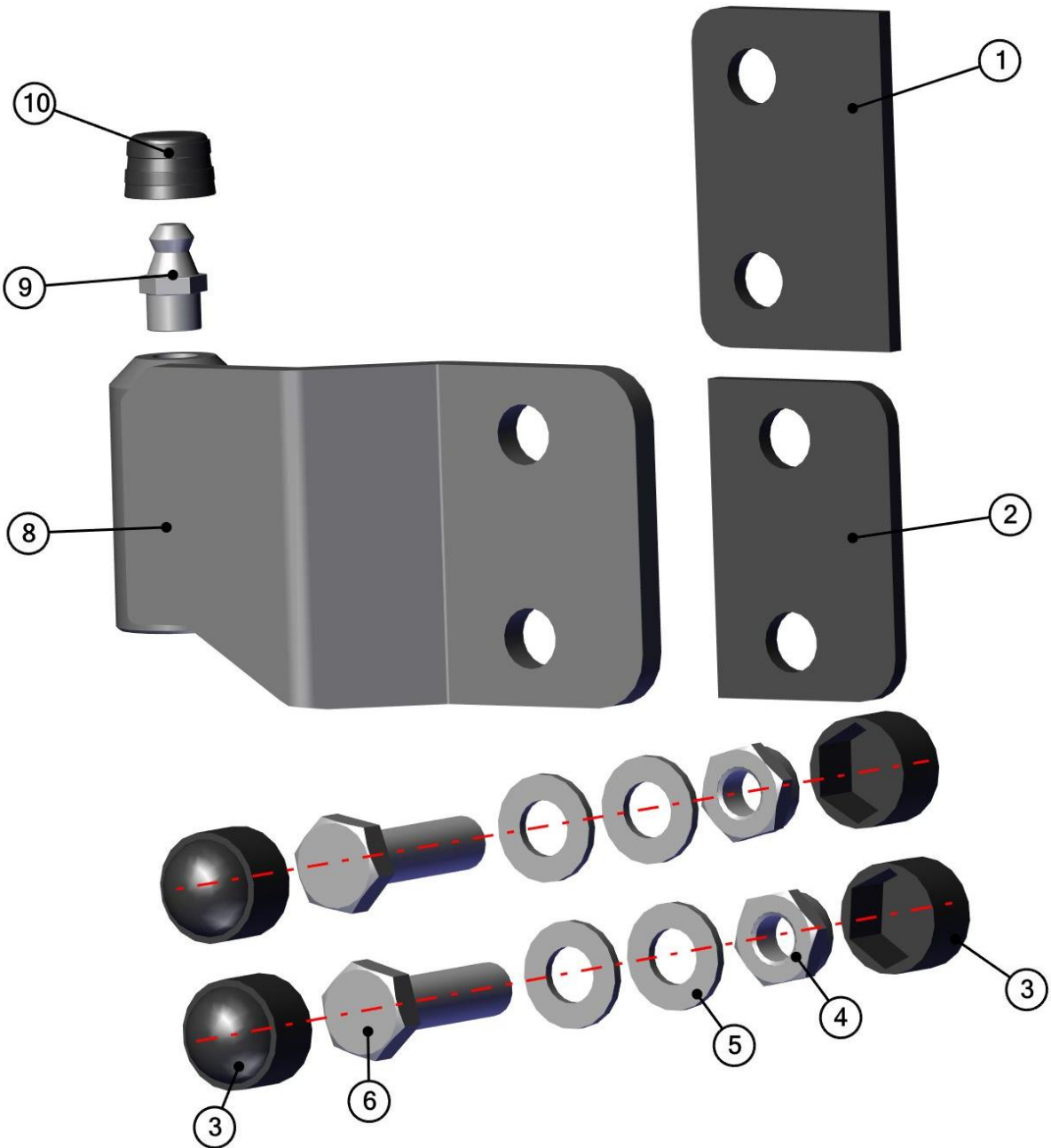
40

ID	Catalogue no.	Derscription	Qty
1	001485	WASHER 10	1
2	42S05U01-50W007	RIGHT UPPER FRAME HINGE	1
3	003322	WASHER 8 LARGE	2
4	001489	SERATTED-LOCK WASHER 8	2
5	001437	SCREW M8x20	2
6	001309	PLASTIC NUT COVER OK 13	2

For the LEFT UPPER FRAME HINGE just use **42S05U01-40W007**.

RIGHT BOTTOM DOOR HINGE ASSEMBLY

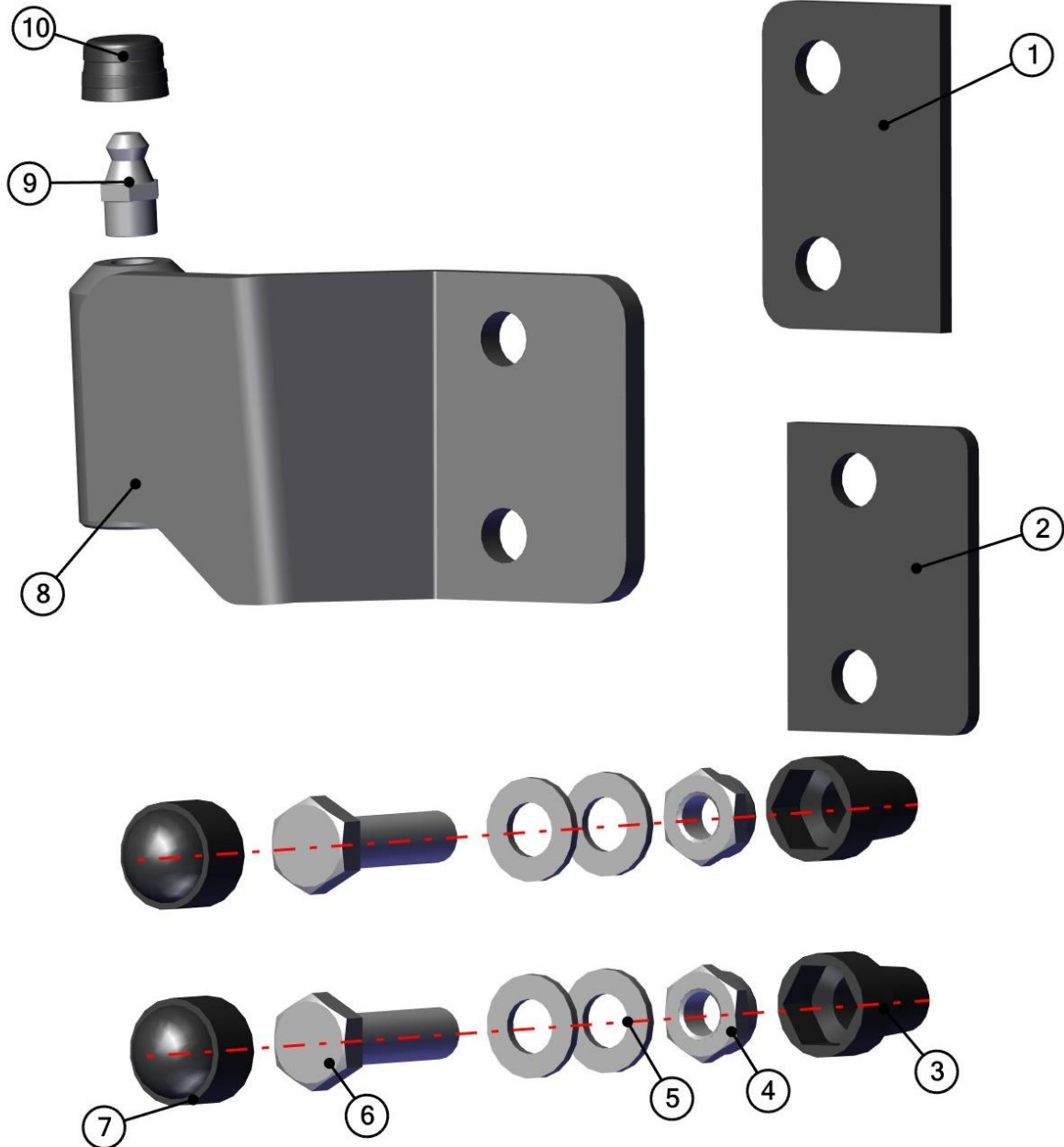
42S05U01-50M026



ID	Catalogue no.	Description	Qty
1	00-105U-014	FRAME WASHER	1
2	00-105U-016	HINGE WASHER	1
3	001309	PLASTIC NUT COVER OK 13	4
4	001388	SELF-LOCKING NUT M8	2
5	001387	WASHER 8	4
6	001411	SCREW M8x30	2
8	42S05U01-50W011	RIGHT DOOR HINGE	1
9	001430	LUBRICATOR	1
10	001431	RUBBER CORNER	1

For the LEFT DOOR HINGE just use **42S05U01-40W011**.

RIGHT UPPER DOOR HINGE ASSEMBLY
42S05U01-50M015

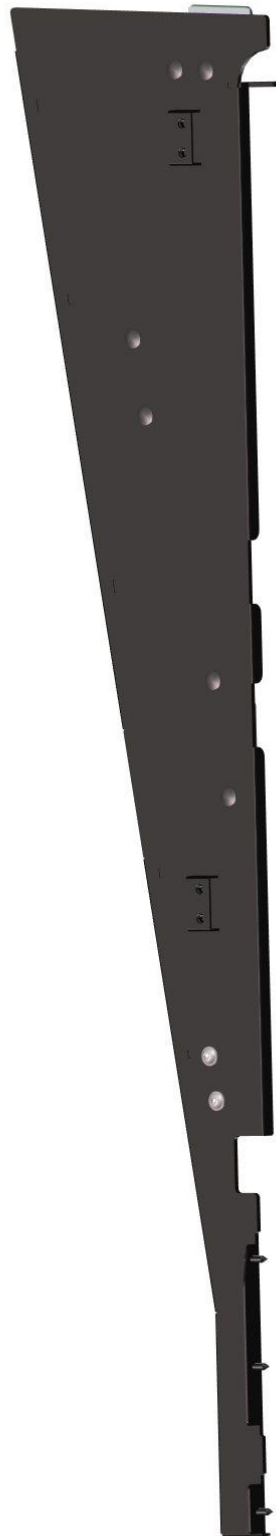


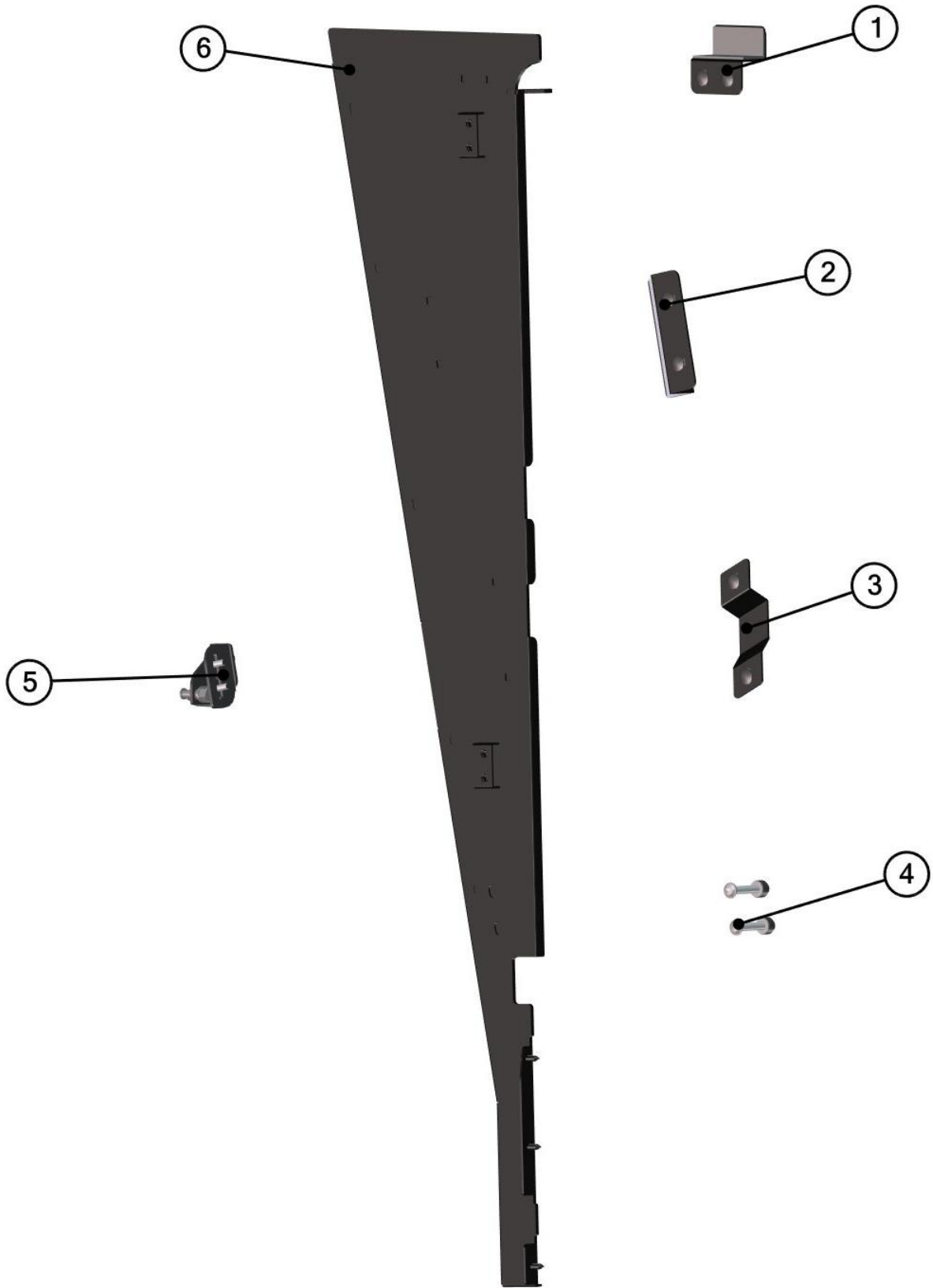
42

ID	Catalogue no.	Description	Qty
1	00-105U-014	FRAME WASHER	1
2	00-105U-015	HINGE WASHER	1
3	001308	PLASTIC NUT COVER OK 13 LONG	2
4	001388	SELF-LOCKING NUT M8	2
5	001387	WASHER 8	4
6	001411	SCREW M8x30	2
7	001309	PLASTIC NUT COVER OK 13	2
8	42S05U01-50W009	RIGHT REAR DOOR UPPER HINGE	1
9	001430	LUBRICATOR	1
10	001431	RUBBER COVER	1

For the LEFT REAR DOOR UPPER HINGE just use **42S05U01-40W009**.

FRONT DOOR BASE ASSEMBLY





SEE NEXT PAGE

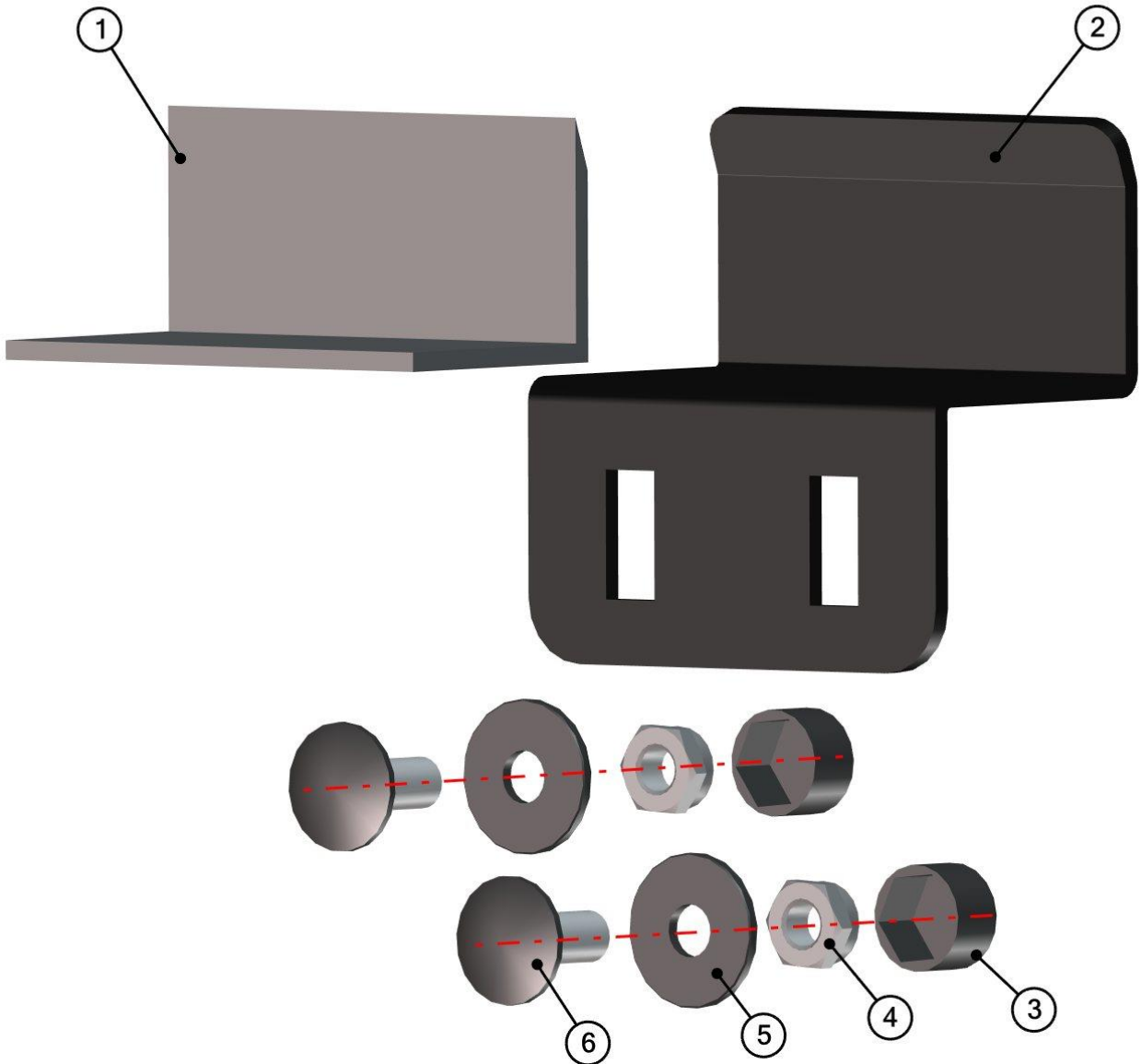
LEFT TABLE

ID	Catalogue no.	Derscription	Qty
1	42S05U01-50M006	FRONT DOOR BASE UPPER HOLDER ASSEMBLY	1
2	42S05U01-50M005	FRONT DOOR BASE MIDDLE HOLDER ASSEMBLY	1
3	42S05U01-50M007	FRONT DOOR BASE BOTTOM HOLDER ASSEMBLY	1
4	42S05U01-50M008	FRONT DOOR BASE FIXING ASSEMBLY	2
5	42S05U01-40M029	LEFT REAR DOOR STOP ASSEMBLY	1
6	42S05U01-40M027	LEFT FRONT DOOR BASE	1

RIGHT TABLE

ID	Catalogue no.	Derscription	Qty
1	42S05U01-50M006	FRONT DOOR BASE UPPER HOLDER ASSEMBLY	1
2	42S05U01-50M005	FRONT DOOR BASE MIDDLE HOLDER ASSEMBLY	1
3	42S05U01-50M007	FRONT DOOR BASE BOTTOM HOLDER ASSEMBLY	1
4	42S05U01-50M008	FRONT DOOR BASE FIXING ASSEMBLY	2
5	42S05U01-50M029	RIGHT REAR DOOR STOP ASSEMBLY	1
6	42S05U01-50M027	RIGHT FRONT DOOR BASE	1

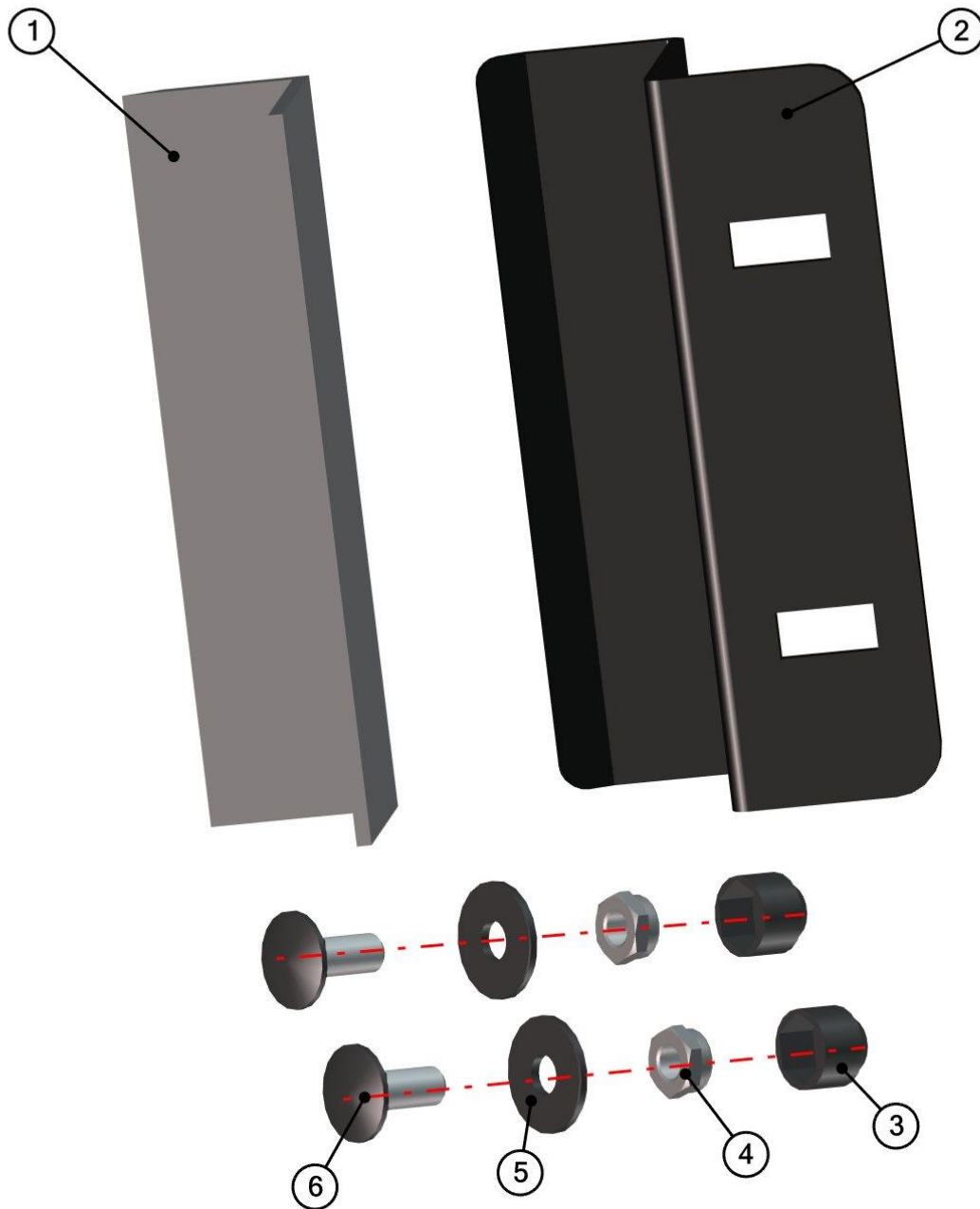
FRONT DOOR BASE UPPER HOLDER ASSEMBLY
42S05U01-50M006



46

ID	Catalogue no.	Description	Qty
1	001422^42S05U01-50M006	SEAL "PE 50x3"	1
2	42S05U01-50-010	FRON DOOR BASE UPPER HOLDER	1
3	001309	PLASTIC NUT COVER OK 13	2
4	001388	SELF-LOCKING NUT M8	2
5	003322	WASHER 8 LARGE	2
6	002575	SCREW M8x20	2

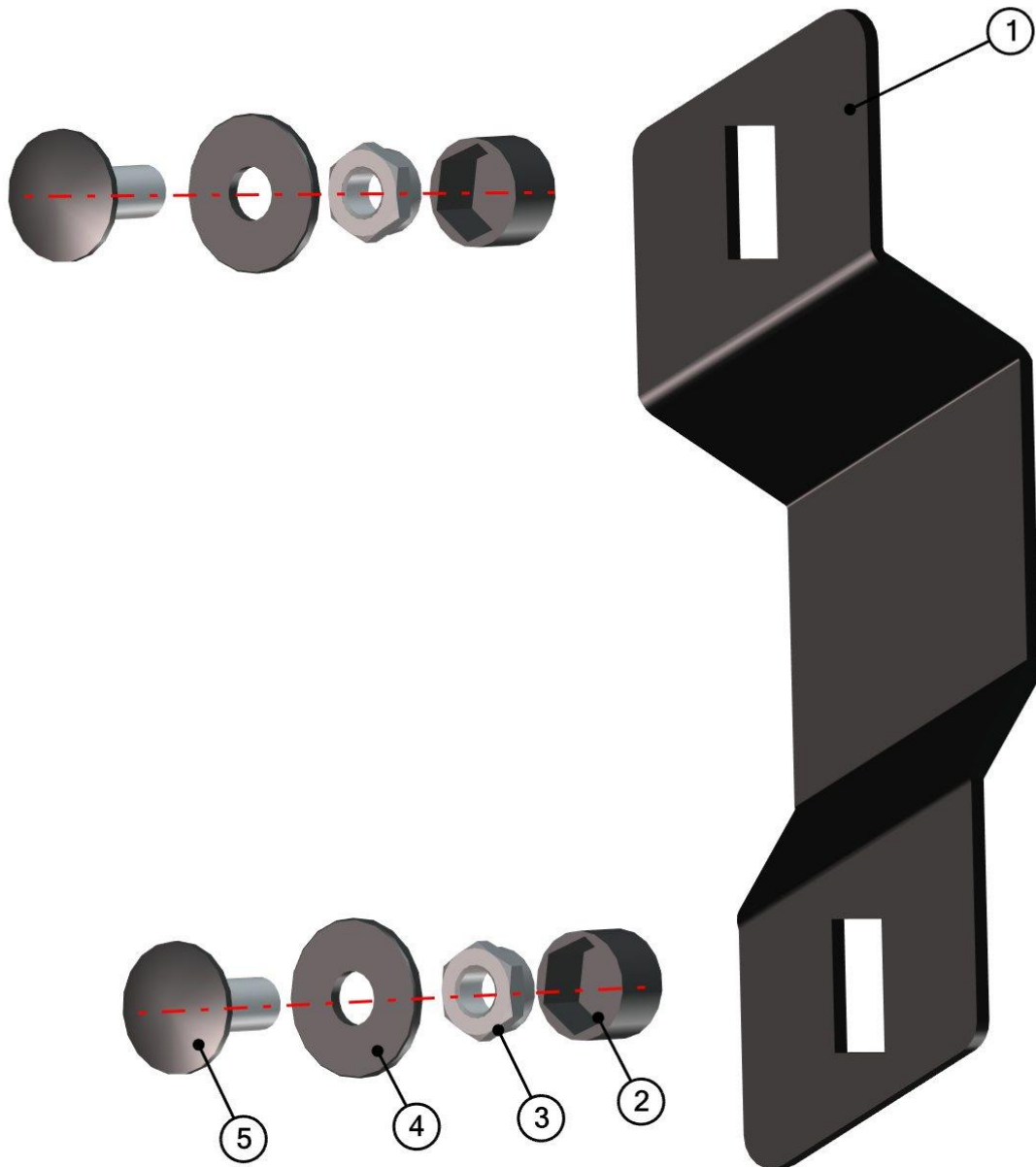
FRONT DOOR BASE MIDDLE HOLDER ASSEMBLY
42S05U01-50M005



47

ID	Catalogue no.	Description	Qty
1	001422^42S05U01-50M005	SEAL "PE 50x3"	1
2	42S05U01-50-009	FRONT DOOR BASE MIDDLE HOLDER	1
3	001309	PLASTIC NUT COVER OK 13	2
4	001388	SELF-LOCKING NUT M8	2
5	003322	WASHER 8 LARGE	2
6	002575	SCREW M8x20	2

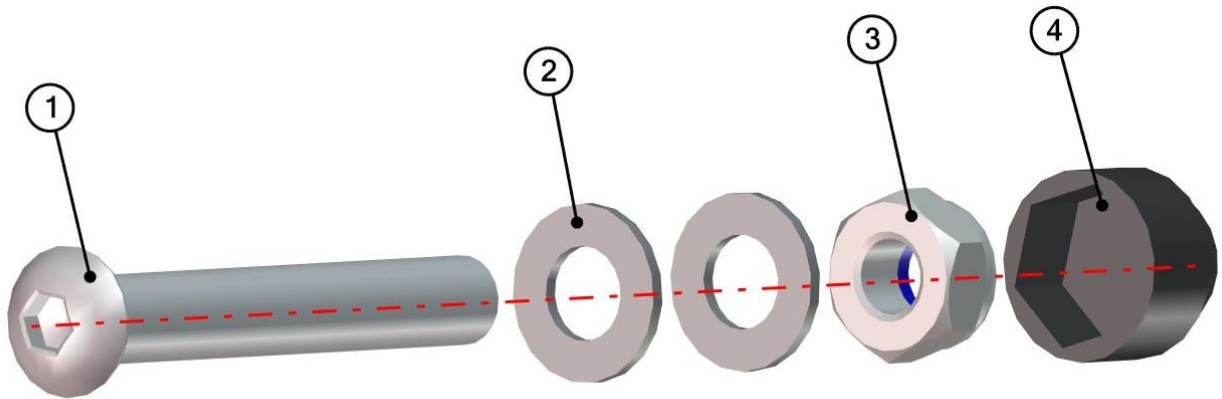
FRONT DOOR BASE BOTTOM HOLDER ASSEMBLY
42S05U01-50M007



48

ID	Catalogue no.	Description	Qty
1	42S05U01-50-011	FRONT DOOR BASE BOTTOM HOLDER	1
2	001309	PLASTIC NUT COVER OK 13	2
3	001388	SELF-LOCKING NUT M8	2
4	003322	WASHER 8 LARGE	2
5	002575	SCREW M8x20	2

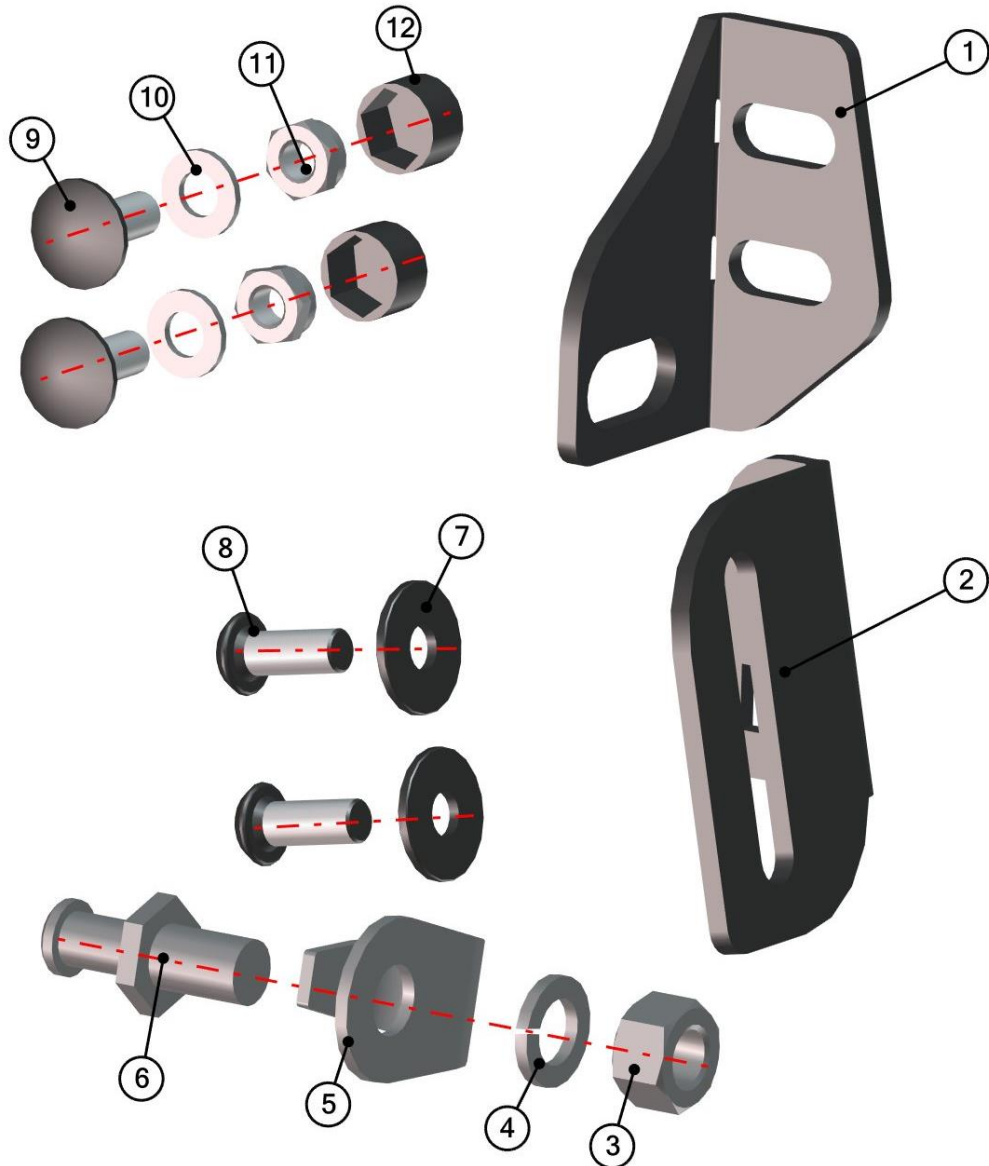
FRONT DOOR BASE FIXING ASSEMBLY
42S05U01-50M008



ID	Catalogue no.	Description	Qty
1	002542	SCREW M10x70	1
2	001485	WASHER 10	2
3	002533	SELF-LOCKING NUT M10	1
4	002363	PLASTIC NUT COVER OK 13	1

RIGHT REAR DOOR STOP ASSEMBLY

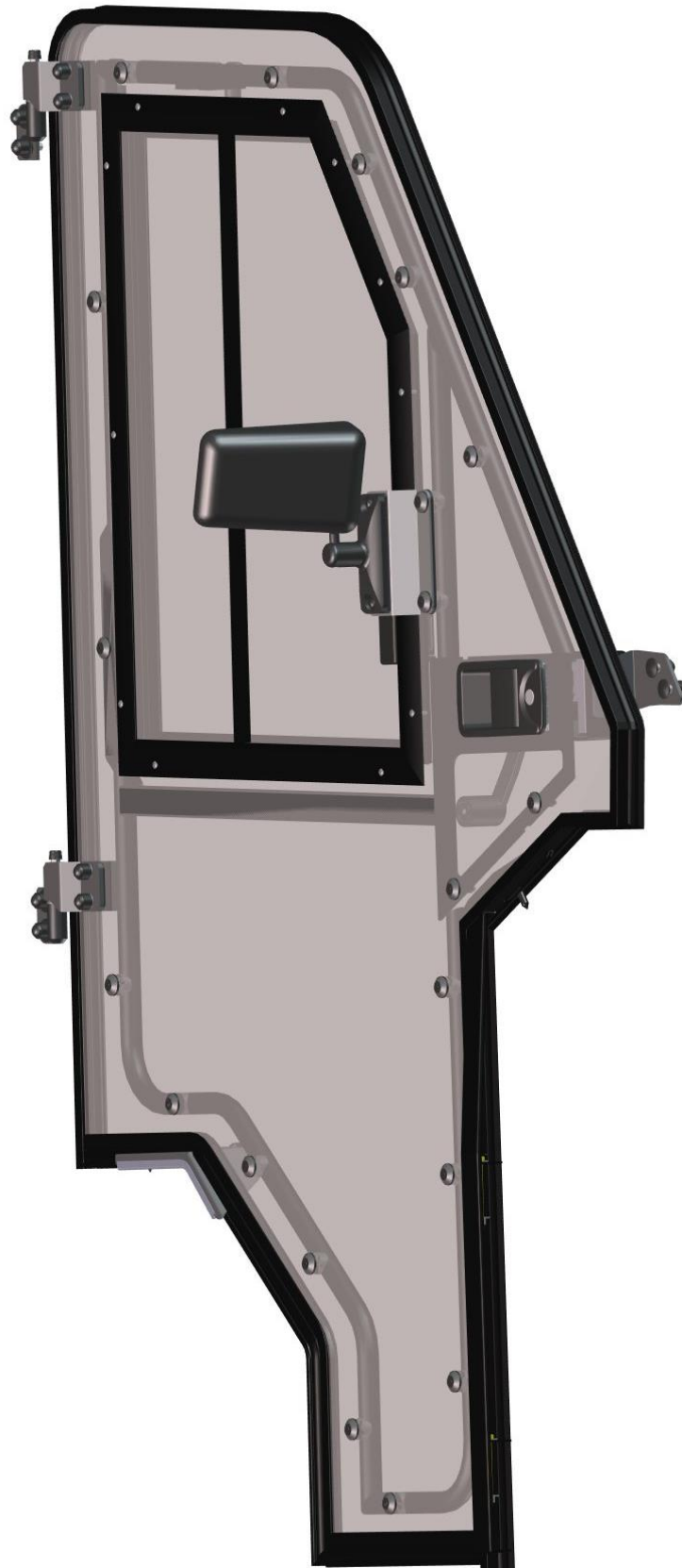
42S05U01-50M029



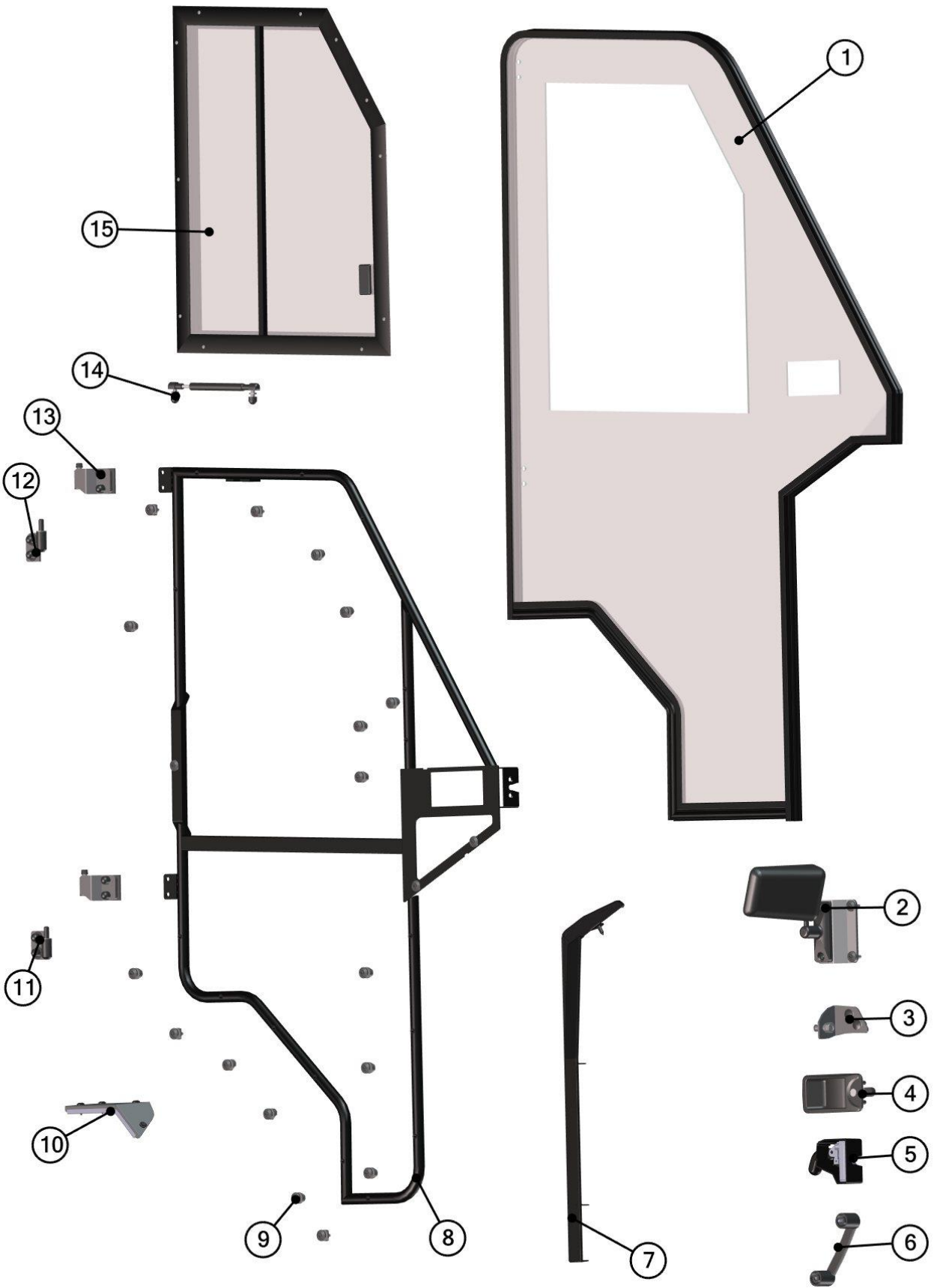
ID	Catalogue no.	Description	Qty
1	42S05U01-50-052	RIGHT REAR DOOR STOP HOLDER 1	1
2	42S05U01-50-051	RIGHT REAR DOOR STOP HOLDER 2	1
3	000856	DOOR STOP NUT	1
4	000857	DOOR STOP WASHER	1
5	000855	DOOR STOP HOOK	1
6	000854	DOOR STOP PIN	1
7	003322	WASHER 8 LARGE	2
8	002745	SCREW M8x20	2
9	002575	SCREW M8x20	2
10	001387	WASHER 8	2
11	001388	SELF-LOCKING NUT M8	2
12	001309	PLASTIC NUT COVER OK 13	2

For the LEFT REAR DOOR STOP HOLDER 1 just use **42S05U01-40-052**.
 For the LEFT REAR DOOR STOP HOLDER 2 just use **42S05U01-40-051**.

FRONT DOOR ASSEMBLY



51



LEFT TABLE

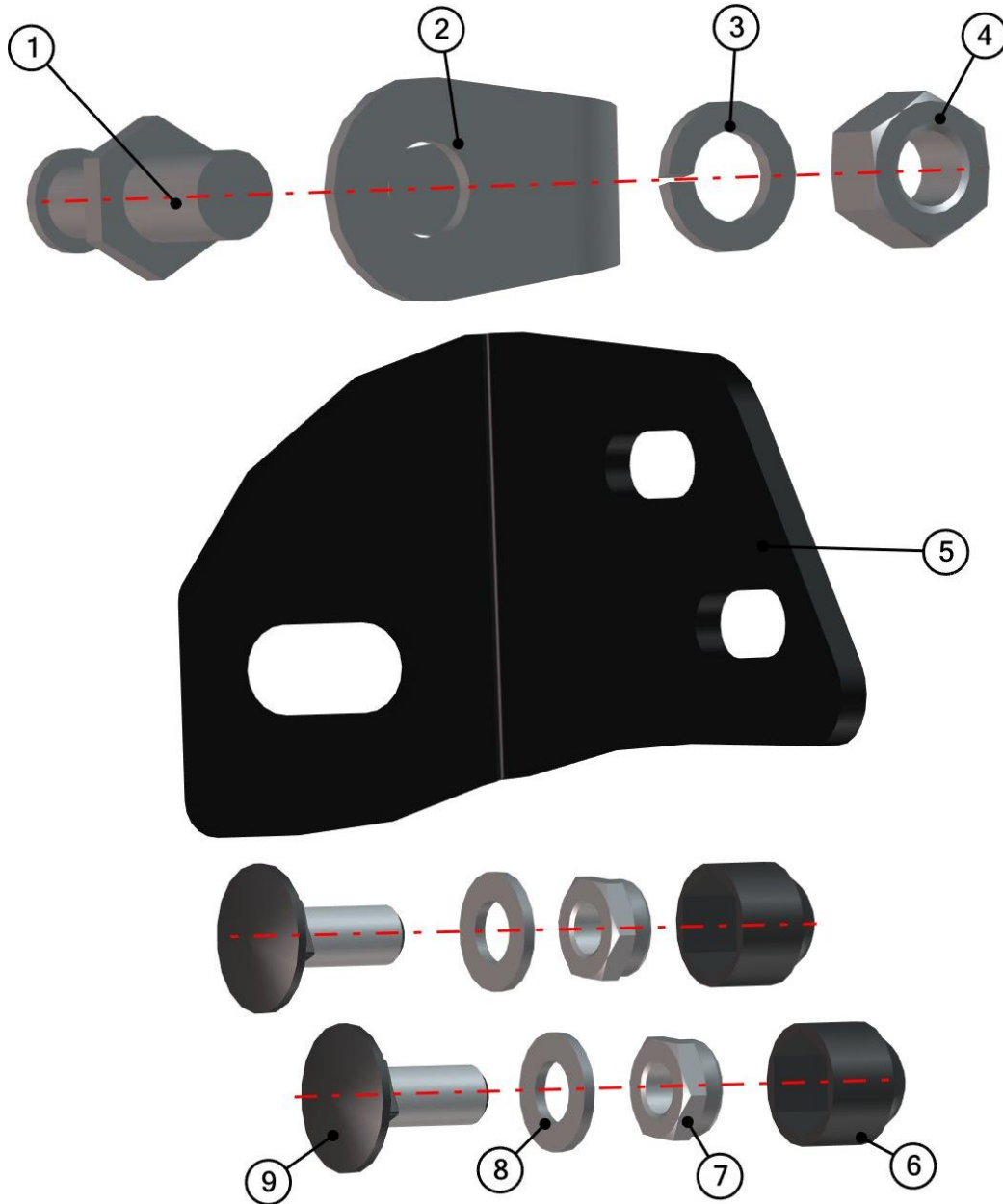
ID	Catalogue no.	Description	Qty
1	42S05U01-40M010	LEFT FRONT DOOR POLYCARBONATE	1
2	00-109U-M003	LEFT DOOR MIRROR	1
3	42S05U01-40M028	LEFT FRONT DOOR STOP ASSEMBLY	1
4	000841	OUTER DOOR LOCK	1
5	00-40M019	LEFT INNER DOOR LOCK	1
6	00-40M018	DOOR HANDLE	1
7	42S05U01-40M023	LEFT FRONT DOOR SEALING LEDGE	1
8	42S05U01-40W003	LEFT FRONT DOOR FRAME WELDED	1
9	00-00M019	POLYCARBONATE FIXING ASSEMBLY	17
11	42S05U01-40M018	LEFT BOTTOM FRAME HINGE ASSEMBLY	1
12	42S05U01-40M017	LEFT UPPER FRAME HINGE ASSEMBLY	1
13	42S05U01-40M026	LEFT DOOR HINGE	2
14	42S05U01-50M031	FRONT GAS SPRING ASSEMBLY	1
15	42S05U01-40M021	LEFT FRONT WINDOW ASSEMBLY	1

RIGHT TABLE

ID	Catalogue no.	Description	Qty
1	42S05U01-50M010	RIGHT FRONT DOOR POLYCARBONATE	1
2	00-109U-M004	RIGHT DOOR MIRROR	1
3	42S05U01-50M028	RIGHT FRONT DOOR STOP ASSEMBLY	1
4	000841	OUTER DOOR LOCK	1
5	00-50M019	RIGHT INNER DOOR LOCK	1
6	00-40M018	DOOR HANDLE	1
7	42S05U01-50M023	RIGHT FRONT DOOR SEALING LEDGE	1
8	42S05U01-50W003	RIGHT FRONT DOOR FRAME WELDED	1
9	00-00M019	POLYCARBONATE FIXING ASSEMBLY	17
10	42S05U01-50M022	GAS TANK SEALING ASSEMBLY	1
11	42S05U01-50M018	RIGHT BOTTOM FRAME HINGE ASSEMBLY	1
12	42S05U01-50M017	RIGHT UPPER FRAME HINGE ASSEMBLY	1
13	42S05U01-50M026	RIGHT DOOR HINGE	2
14	42S05U01-50M031	FRONT GAS SPRING ASSEMBLY	1
15	42S05U01-50M021	RIGHT FRONT WINDOW ASSEMBLY	1

RIGHT FRONT DOOR STOP ASSEMBLY

42S05U01-50M028

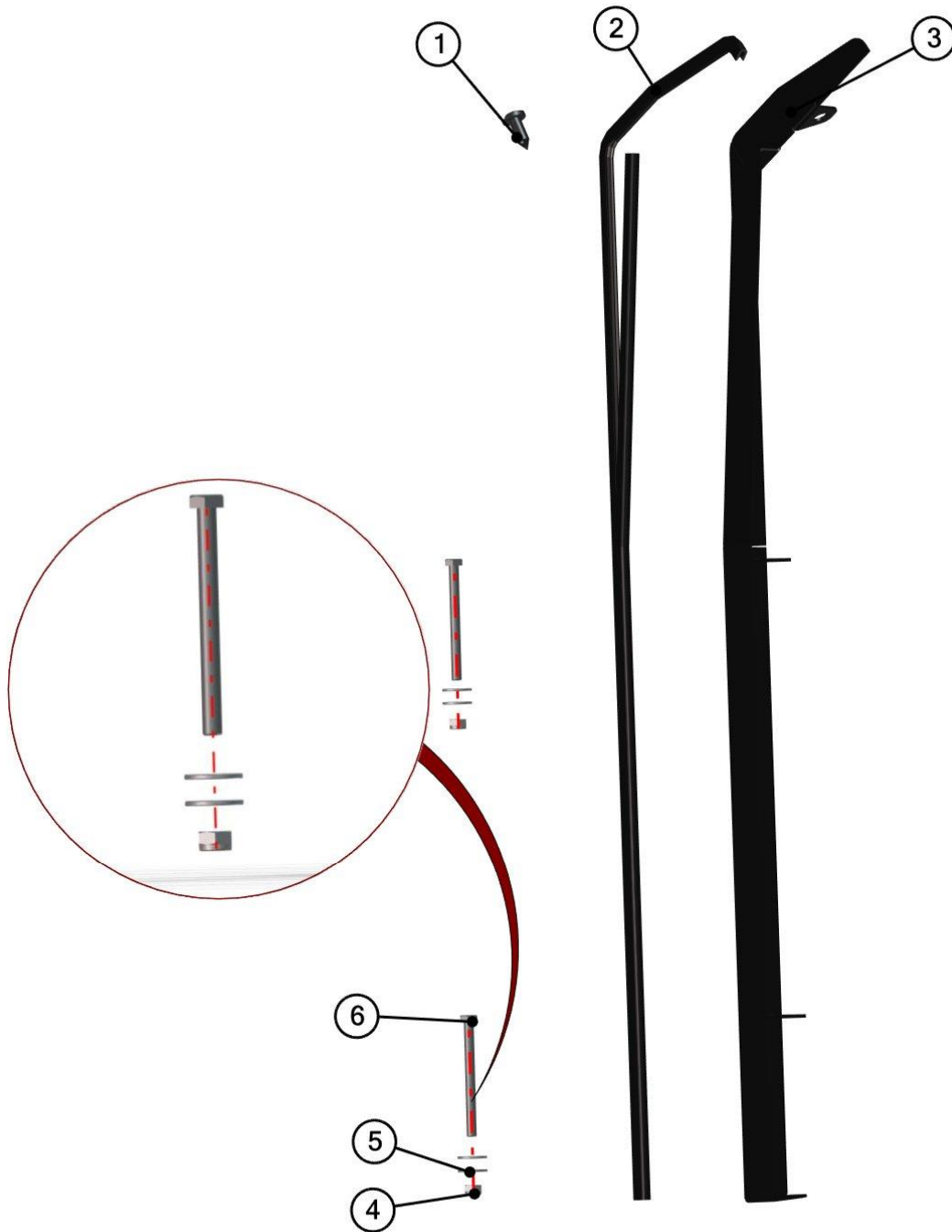


ID	Catalogue no.	Description	Qty
1	000854	DOOR STOP PIN	1
2	000855	DOOR STOP HOOK	1
3	000857	DOOR STOP WASHER	1
4	000856	DOOR STOP NUT	1
5	42S05U01-50-028	RIGHT FRONT DOOR STOP HOLDER	1
6	001309	PLASTIC NUT COVER OK 13	2
7	001388	SELF-LOCKING NUT M8	2
8	001387	WASHER 8	2
9	002575	SCREW M8x20	2

For the LEFT FRONT DOOR STOP HOLDER just use **42S05U01-40-028**.

RIGHT FRONT DOOR SEALING LEDGE ASSEMBLY

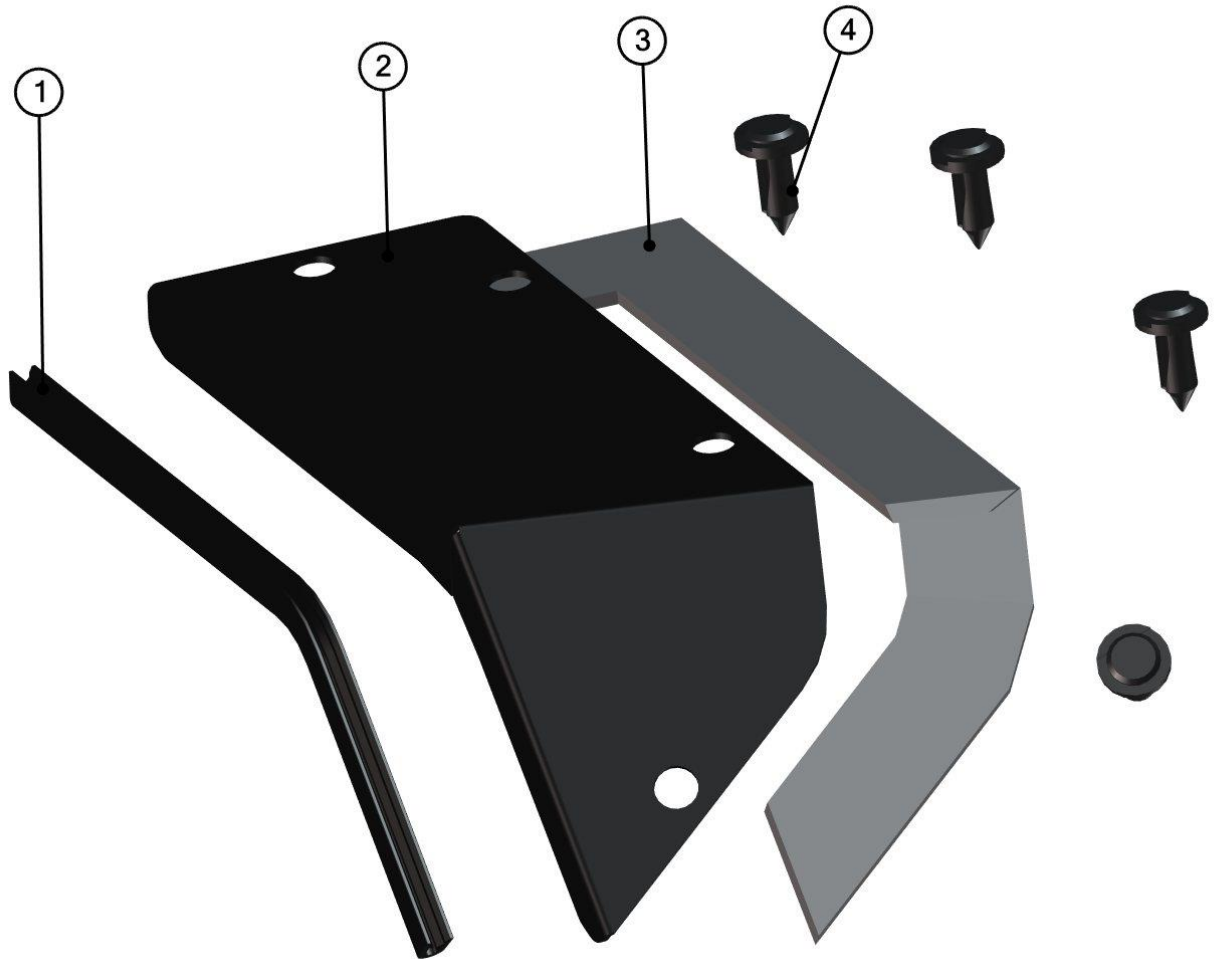
42S05U01-50M023



ID	Catalogue no.	Description	Qty
1	002615	RUBBER RIVET	1
2	001001^42S05U01-50M023	RUBBER PROFILE "LEMOVKA"	1
3	42S05U01-50W010	RIGHT FRONT SEALING LEDGE	1
4	001392	SELF-LOCKING NUT M6	2
5	001337	WASHER 6 LARGE	4
6	004056	SCREW M6x70	2

For the LEFT FRONT SEALING LEDGE just use **42S05U01-40W010**.

GAS TANK SEALING ASSEMBLY
42S05U01-50M022

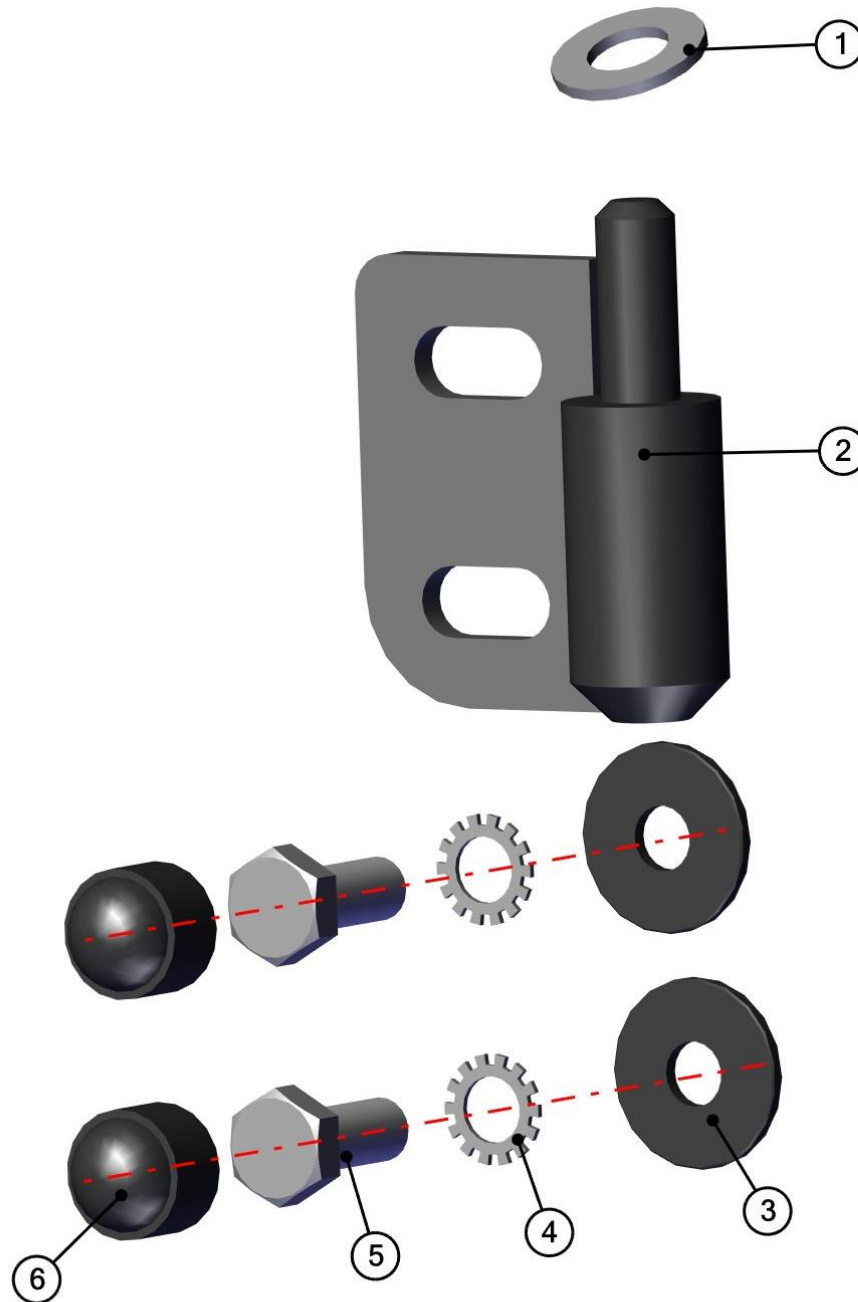


56

ID	Catalogue no.	Description	Qty
1	001001^42S05U01-50M022	RUBBER PROFILE "LEMOVKA"	1
2	42S05U01-50-033	GAS TANK COVER	1
3	001420^42S05U01-50M022	SEAL "PE 25x3"	1
4	002615	RUBBER RIVET	4

RIGHT BOTTOM FRAME HINGE ASSEMBLY

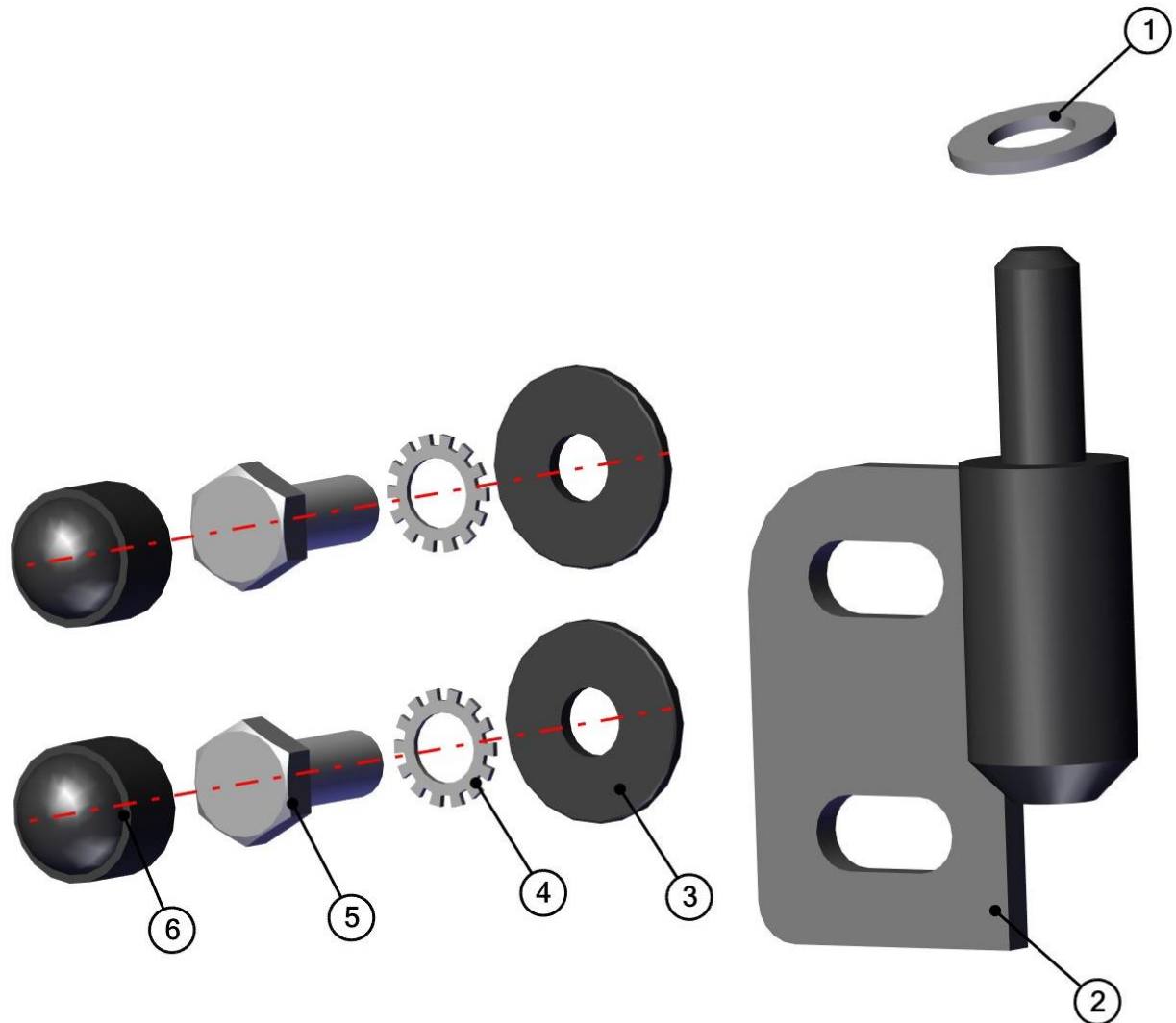
42S05U01-50M018



ID	Catalogue no.	Description	Qty
1	001485	WASHER 10	1
2	42S05U01-50W006	RIGHT BOTTOM FRAME HINGE	1
3	003322	WASHER 8 LARGE	2
4	001489	SERATTED-LOCK WASHER 8	2
5	001437	SCREW M8x20	2
6	001309	PLASTIC NUT COVER OK 13	2

For the LEFT BOTTOM FRAME HINGE just use **42S05U01-40W006**.

RIGHT UPPER FRAME HINGE
42S05U01-50M017

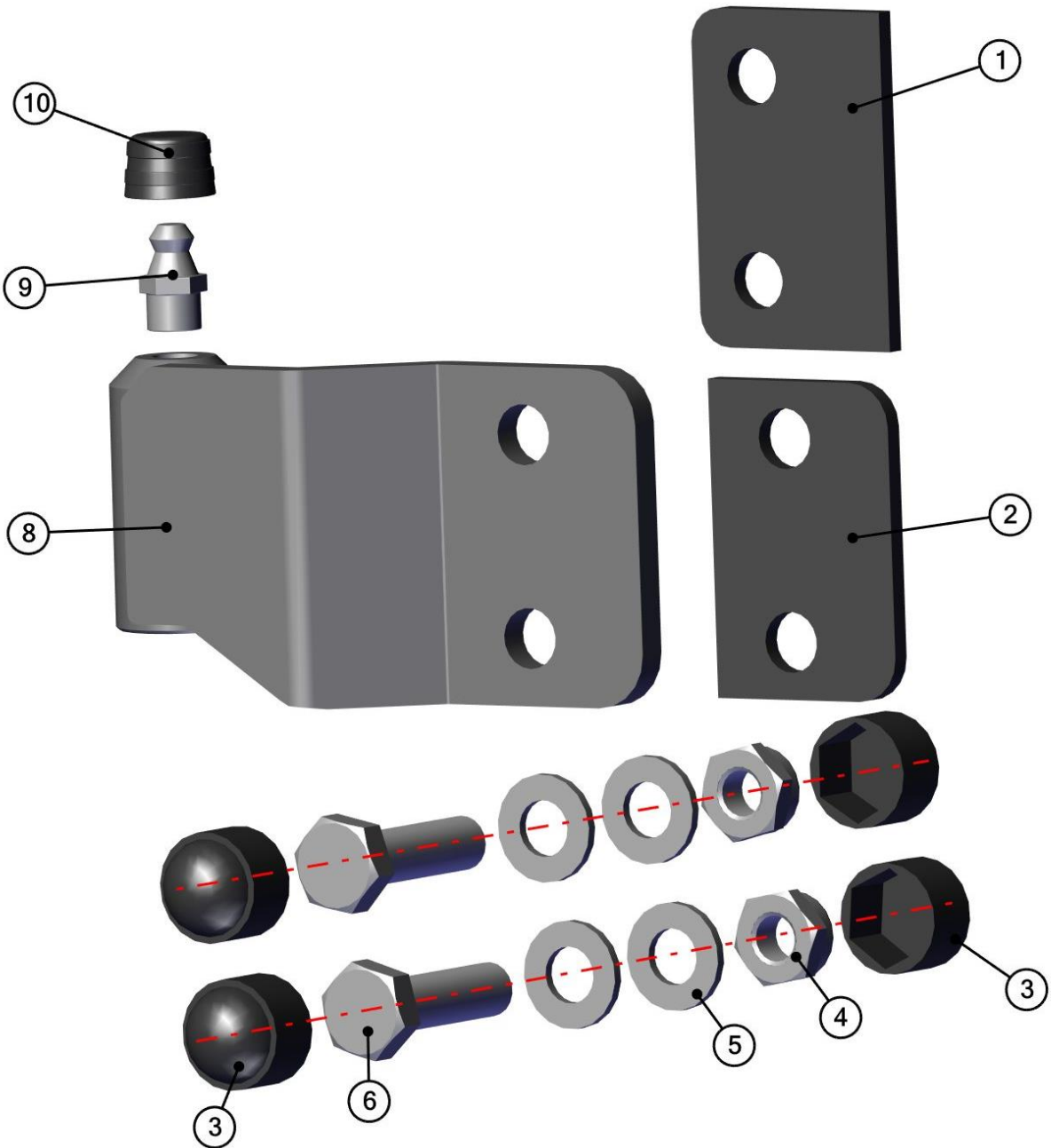


58

ID	Catalogue no.	Derscription	Qty
1	001485	WASHER 10	1
2	42S05U01-50W007	RIGHT UPPER FRAME HINGE	1
3	003322	WASHER 8 LARGE	2
4	001489	SERATTED-LOCK WASHER 8	2
5	001437	SCREW M8x20	2
6	001309	PLASTIC NUT COVER OK 13	2

For the LEFT UPPER FRAME HINGE just use **42S05U01-40W007**.

RIGHT DOOR HINGE ASSEMBLY
42S05U01-50M026



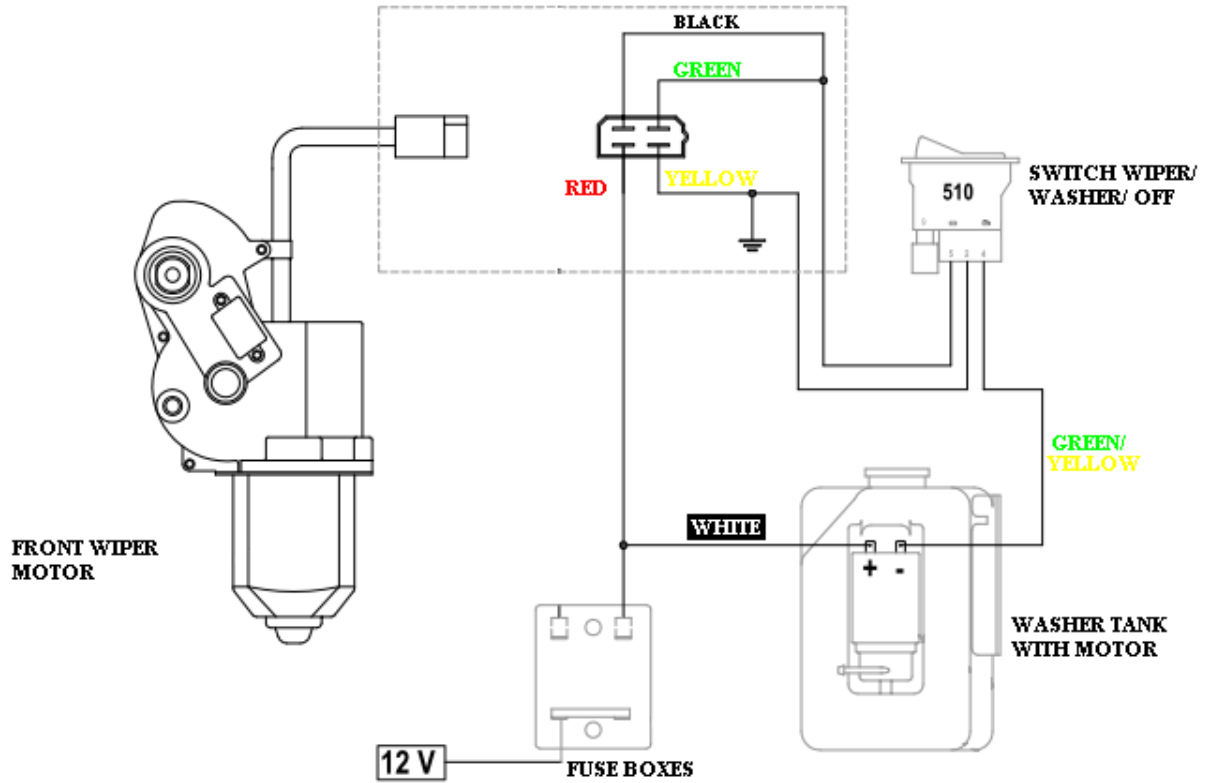
59

ID	Catalogue no.	Description	Qty
1	00-105U-014	FRAME WASHER	1
2	00-105U-016	HINGE WASHER	1
3	001309	PLASTIC NUT COVER OK 13	4
4	001388	SELF-LOCKING NUT M8	2
5	001387	WASHER 8	4
6	001411	SCREW M8x30	2
8	42S05U01-50W011	RIGHT DOOR HINGE	1
9	001430	LUBRICATOR	1
10	001431	RUBBER CORNER	1

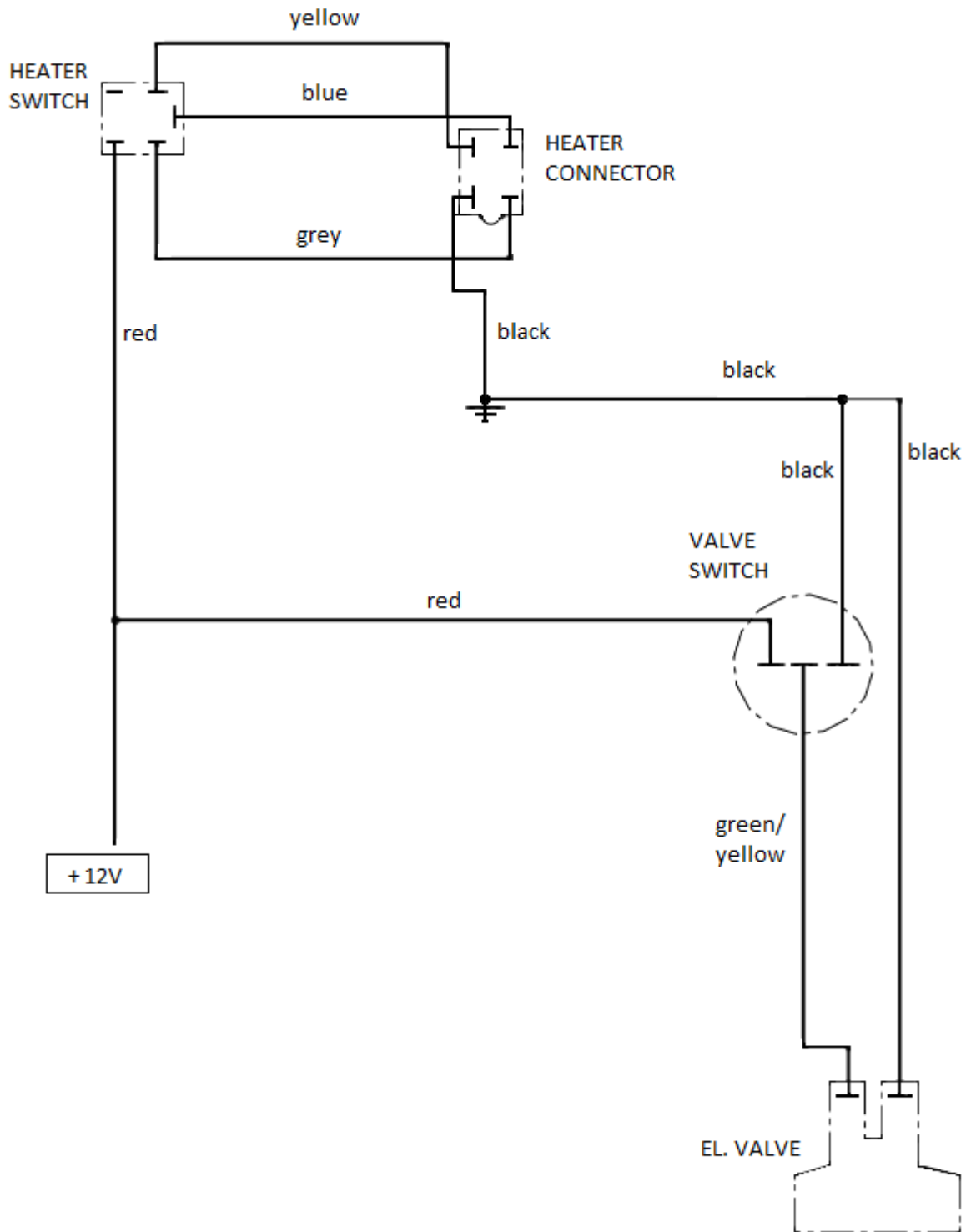
For the LEFT DOOR HINGE just use **42S05U01-40W011**.

ELECTROINSTALLATION

Overall wiring diagram (wiper/washer)



Overall wiring diagram (heater)



61

Position	Catalogue no.	Description	Qty
1	000968	SWITCH WIPER /WASHER /OFF	1
2	000885	WASHER TANK	1
3	001576	WASHER MOTOR	1
4	001652	FUSE BOX 2x1	1
5	002764	WIPER MOTOR 12V	1
6	42S05U01-01M002	WIPER HARNESS	1
7	42S05U01-02W001	HEATER HOLDER	1
8	002491	AIR VENT VALVE	1
9	002386	ELECTROMAGNETIC VALVE	1
10	001367	TIGHTENING STRAP 12-22MM	2
11	002642	TIGHTENING STRAP 14-27MM	10
12	002643	TIGHTENING STRAP 21-38MM	2
13	001368	TIGHTENING STRAP 40-60MM	4
14	002863	AIR VENT SMALLER	2
15	002379	AIR VENT BIGGER	2
16	002795	AIR HOSE	1
17	002705	AL SELFGLUED TAPE	1
18	003536	HEATER TUBE "Y" SMALL	1
19	002502	HEATER TUBE "Y" LARGE	1
20	002391	EL.VENT SWITCH	1
21	002702	HEATER SWITCH	1
22	42S05U01-02M002	HEATER HARNESS	1
23	000896	HEATER HOSE	1
24	002346	HEATER	1
25	42S06U01-03M001	WASHER HARNESS	1

SEE PICTURES ON NEXT PAGES



Position : 1

Catalogue no.: 000968



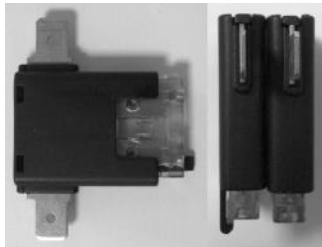
Position : 2

Catalogue no.: 000885



Position : 3

Catalogue no.: 001576



Position : 4

Catalogue no.: 001652



Position : 5

Catalogue no.: 002764



Position : 6

Catalogue no.: 42S05U01-01M002



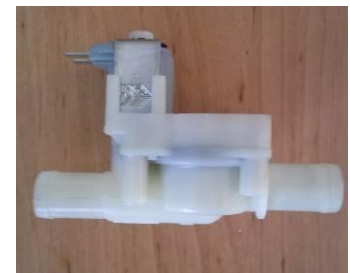
Position : 7

Catalogue no.: 42S05U01-02W001










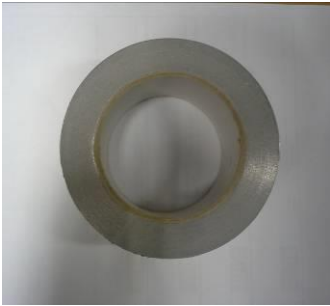

Position : 8

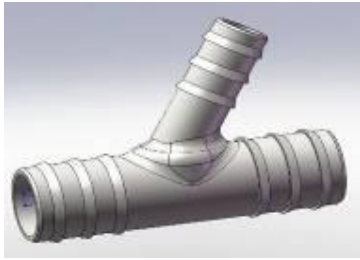
Catalogue no.: 002491



Position : 9

Catalogue no.: 002386

		
Position : 10	Position : 11	Position : 12
Catalogue no.: 001367	Catalogue no.: 002642	Catalogue no.: 002643
		
Position : 13	Position : 14	Position : 15
Catalogue no.: 001368	Catalogue no.: 002863	Catalogue no.: 002739
		
Position : 16	Position : 17	Position : 18
Catalogue no.: 002795	Catalogue no.: 002705	Catalogue no.: 003536



Position : 19

Catalogue no.: 002502

Position :20

Catalogue no.: 002391

Position : 21

Catalogue no.: 002702



Position : 22

**Catalogue no.:
42S05U01-02M002**

Position : 23

Catalogue no.: 000896

Position : 24

Catalogue no.: 002346



Position : 25

**Catalogue no.:
42S05U01-03M001**