

HardCabs

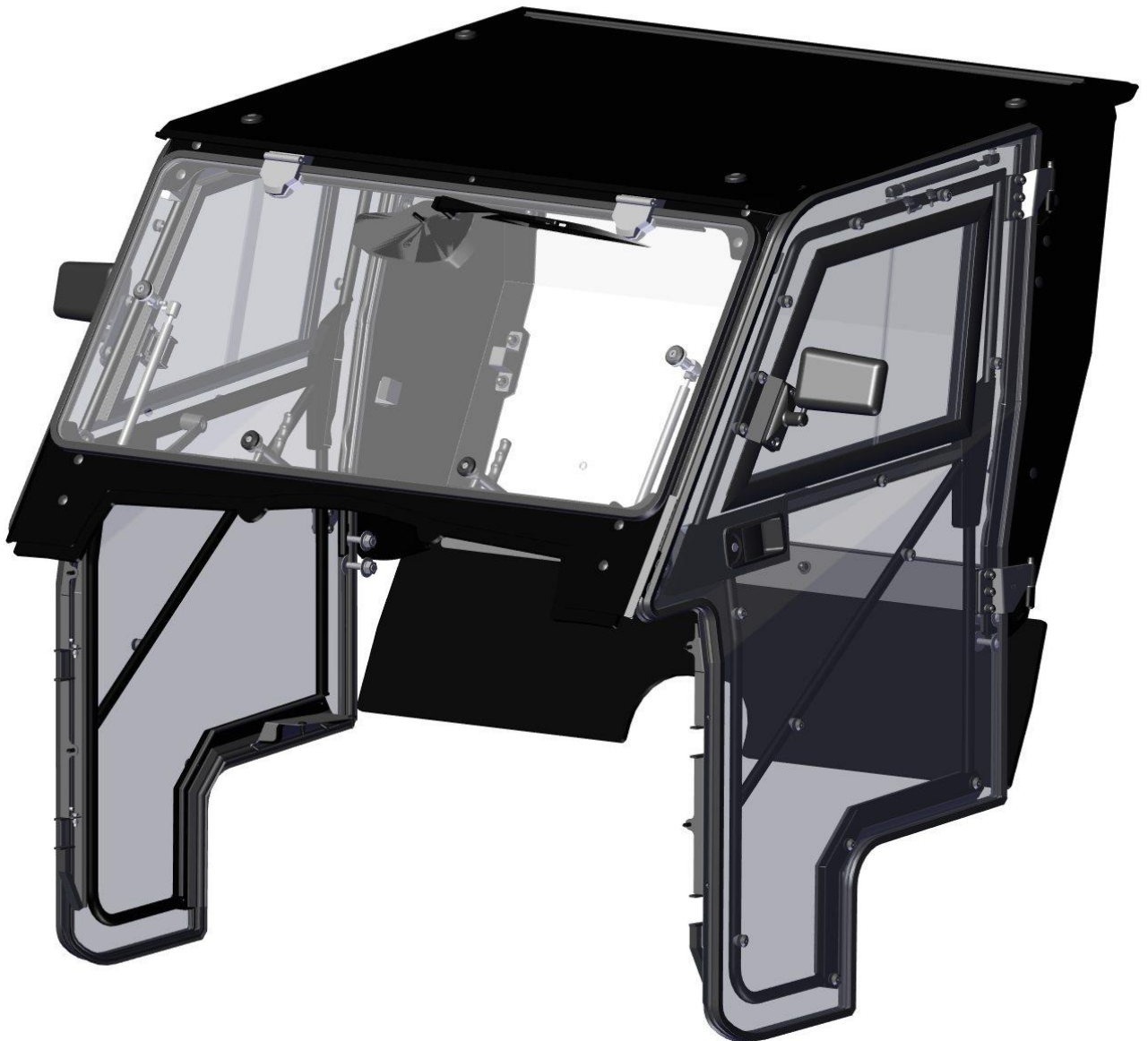
A DFK AMERICA COMPANY

SPARE - PARTS CATALOG

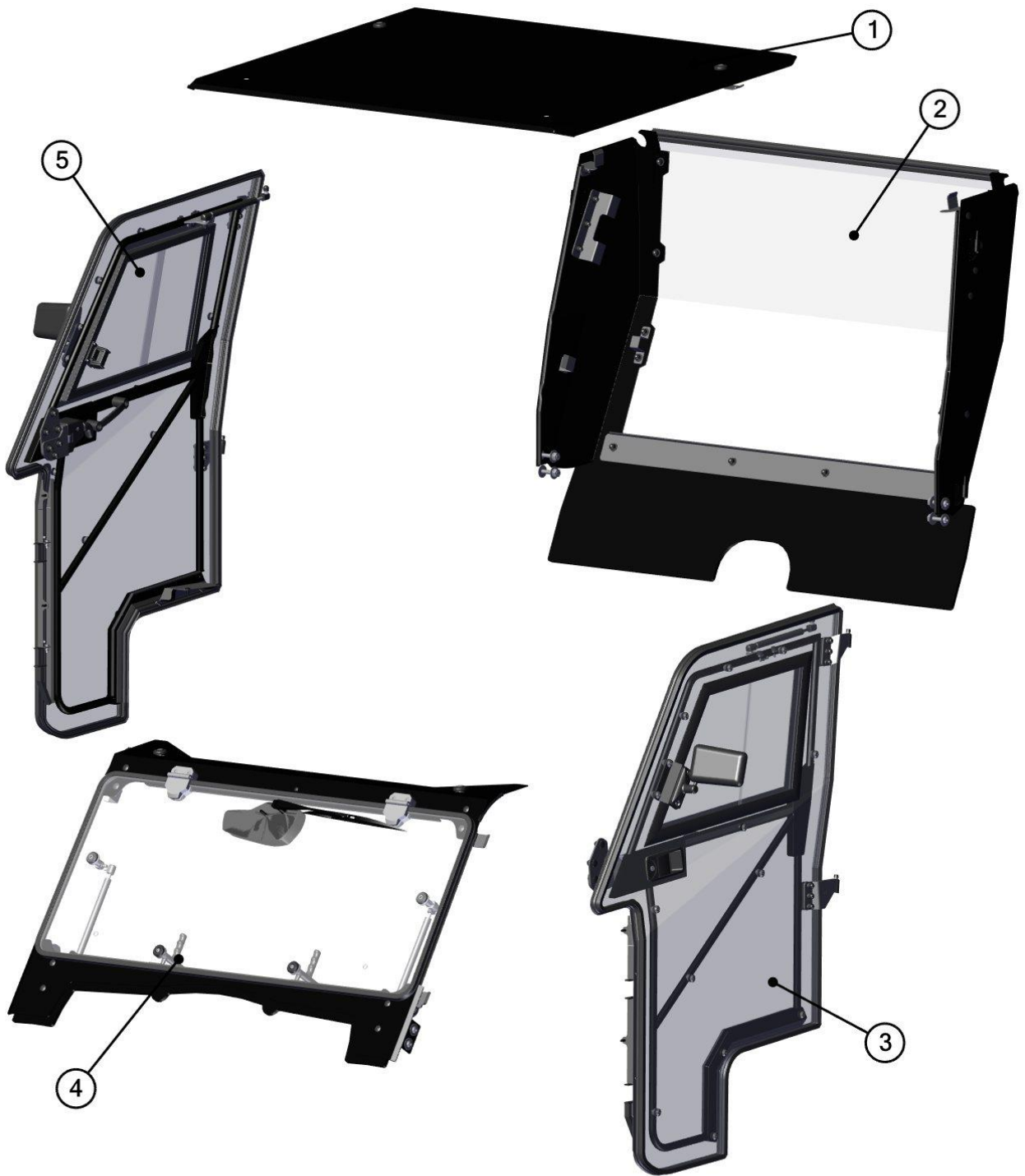
KAWASAKI **TERYX 800 LE - 2**



CAB PREVIEW



2

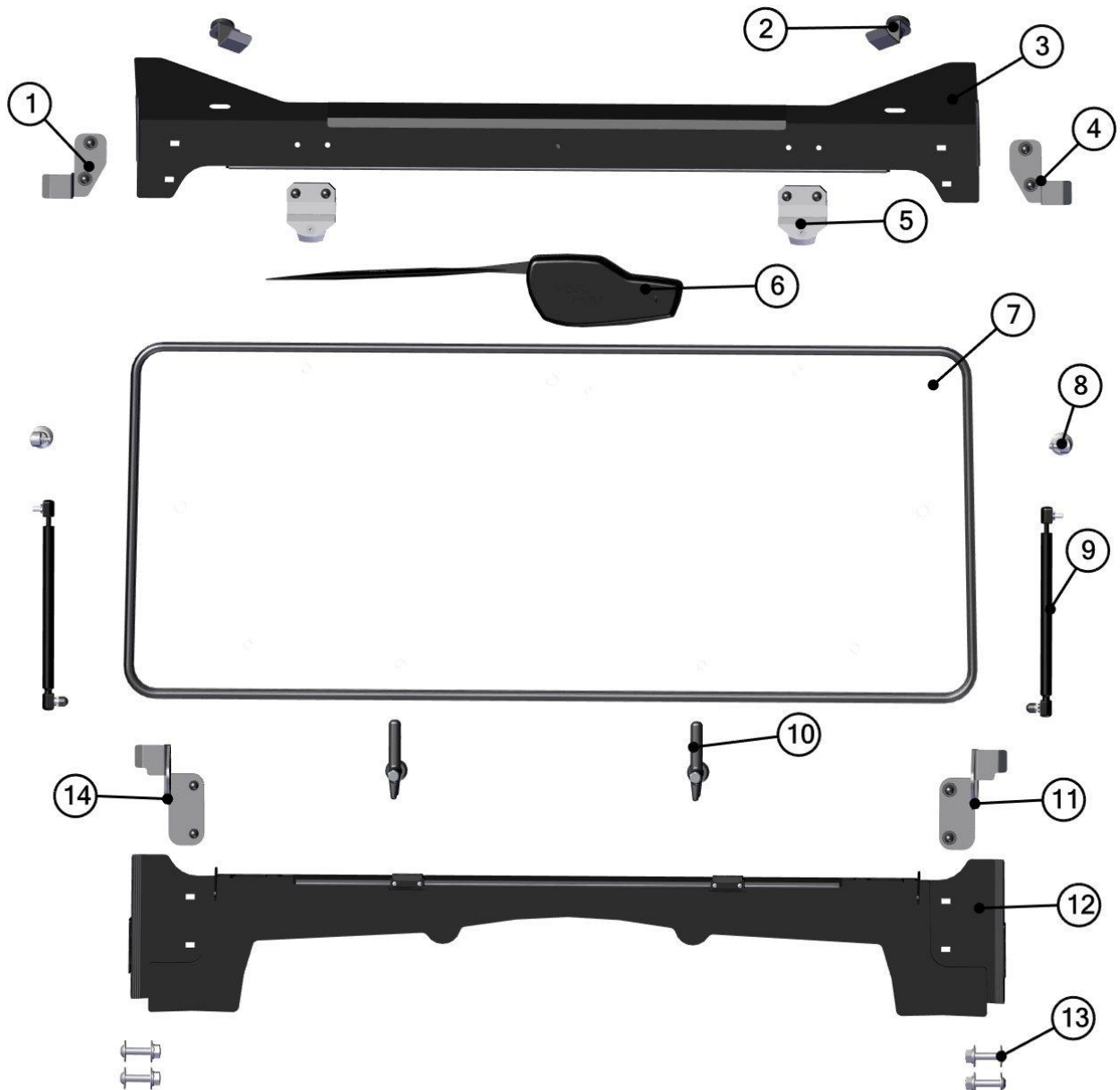


3

ID	Catalogue no.	Description	Qty
1	42S06U01S30	ROOF	1
2	42S06U01S20	REAR PANEL	1
3	42S06U01S40	LEFT DOOR	1
4	42S06U01S10	FRONT PANEL	1
5	42S06U01S50	RIGHT DOOR	1

FRONT PANEL

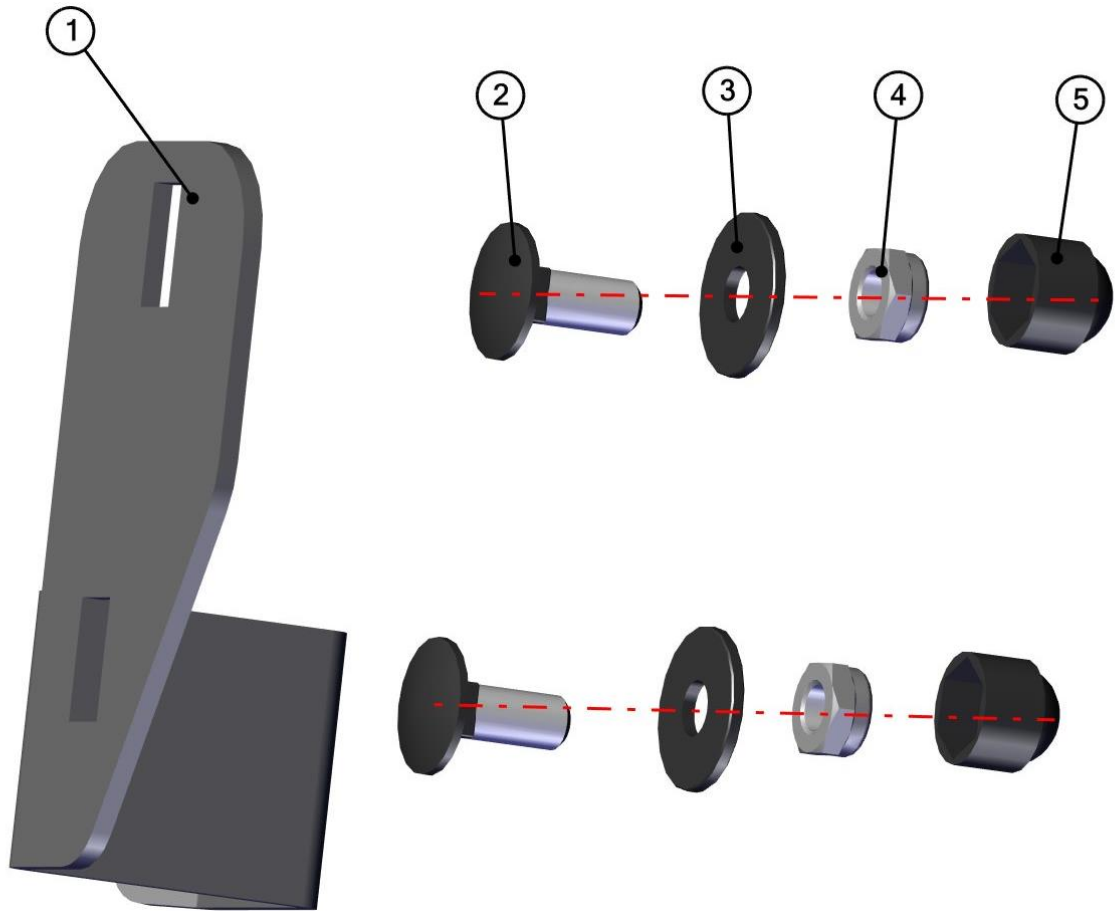




5

ID	Catalogue no.	Description	Qty
1	42S06U01-10M017	LEFT FRONT UPPER LEDGE HOLDER ASSEMBLY	1
2	42S06U01-10M005	FRONT UPPER LEDGE HOLDER ASSEMBLY	2
3	42S06U01-10M018	FRONT UPPER LEDGE ASSEMBLY	1
4	42S06U01-10M016	RIGHT FRONT UPPER LEDGE HOLDER ASSEMBLY	1
5	00-10M012	FRONT HINGE ASSEMBLY	2
6	42S06U01-10M019	WIPER ASSEMBLY	1
7	42S06U01-10M006	FRONT GLASS WITH SEALING	1
8	00-20M005	GAS SPRING HOLDER	2
9	00-10M022	GAS SPRING	2
10	00-10M023	FRONT GLASS LOCK	2
11	42S06U01-10M004	RIGHT FRONT BOTTOM LEDGE HOLDER ASSEMBLY	1
12	42S06U01-10M013	FRONT BOTTOM LEDGE ASSEMBLY	1
13	42S06U01-10M008	ORIGINAL SCREW REPLACEMENT ASSEMBLY	4
14	42S06U01-10M014	LEFT FRONT BOTTOM LEDGE HOLDER ASSEMBLY	1

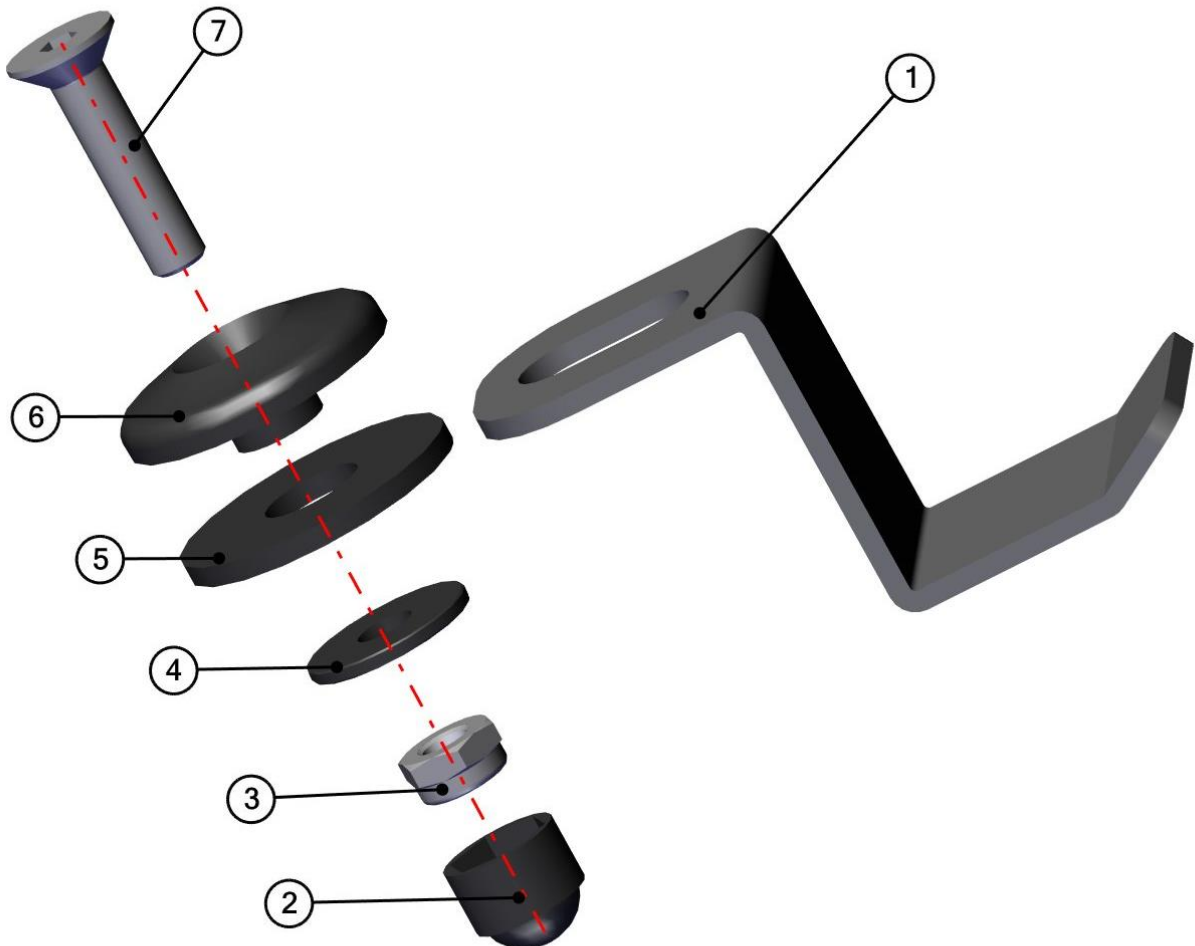
RIGHT FRONT UPPER LEDGE HOLDER ASSEMBLY
42S06U01-10M016



ID	Catalogue no.	Description	Qty
1	42S06U01-10-011	RIGHT FRONT UPPER LEDGE HOLDER	1
2	002575	SCREW M8x20	2
3	003322	WASHER 8 LARGE	2
4	001388	SELF-LOCKING NUT M8	2
5	001309	PLASTIC NUT COVER OK13	2

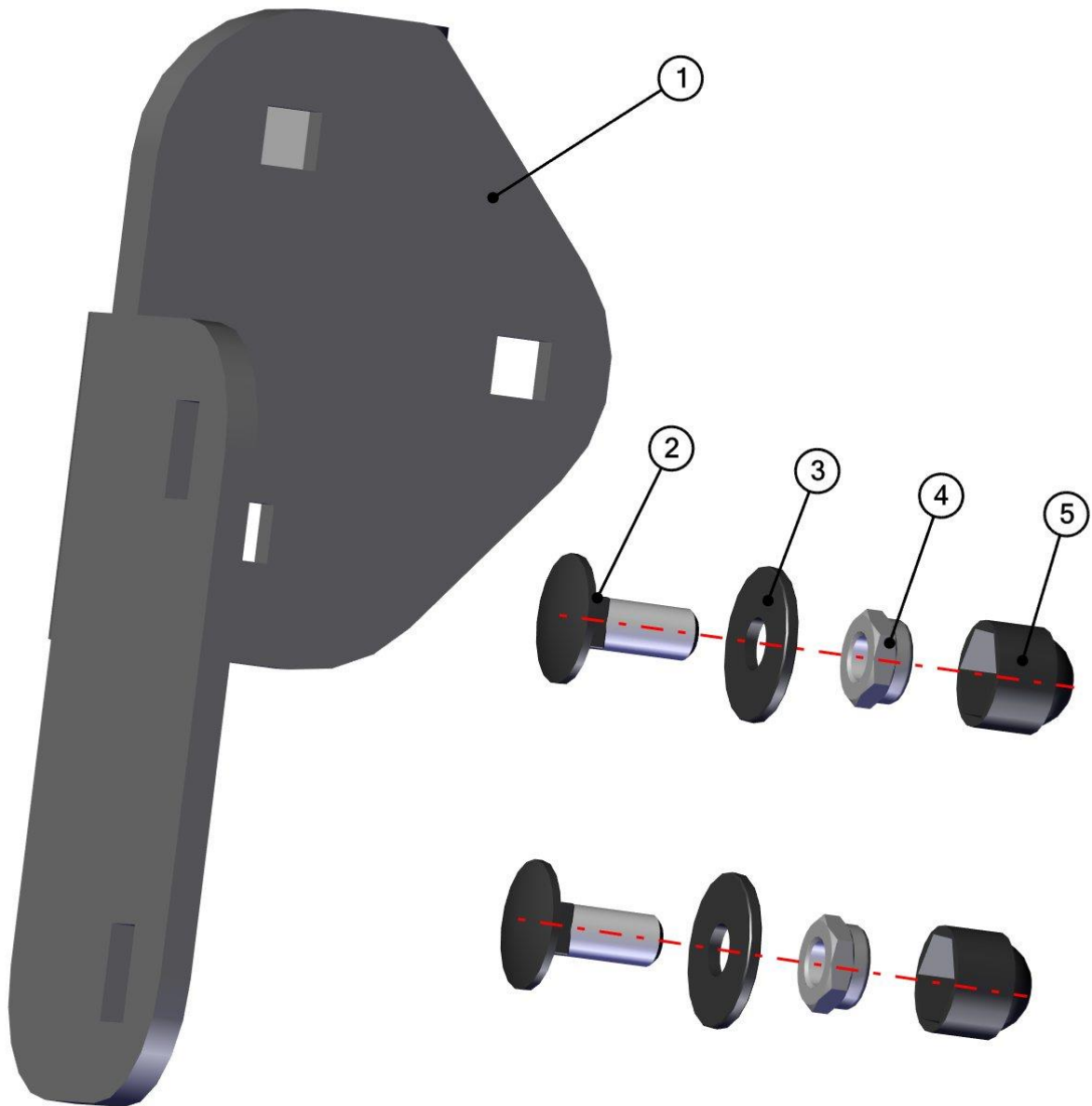
For the left front upper ledge holder just use **42S06U01-10-015**.

FRONT UPPER LEDGE HOLDER ASSEMBLY
42S06U01-10M005



ID	Catalogue no.	Description	Qty
1	42S06U01-10-008	FRONT UPPER LEDGE HOLDER	1
2	001309	PLASTIC NUT COVER OK13	1
3	001388	SELF-LOCKING NUT M8	1
4	003322	WASHER 8 LARGE	1
5	001428	RUBBER WASHER	1
6	001429	PLASTIC WASHER	1
7	001760	SCREW M8x35	1

RIGHT FRONT BOTTOM LEDGE HOLDER ASSEMBLY
42S06U01-10M004

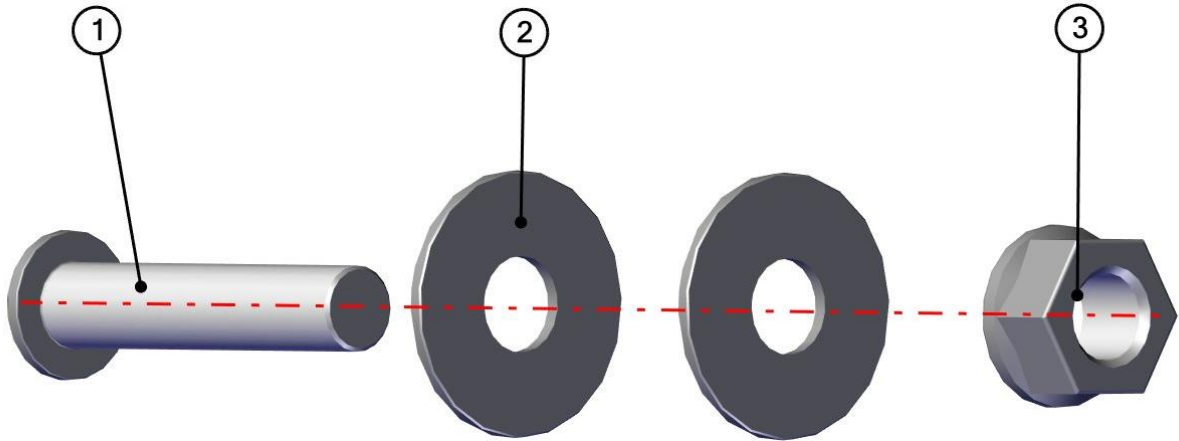


8

ID	Catalogue no.	Description	Qty
1	42S06U01-10W003	RIGHT FRONT BOTTOM LEDGE HOLDER	1
2	002575	SCREW M8x20	2
3	003322	WASHER 8 LARGE	2
4	001388	SELF-LOCKING NUT M8	2
5	001309	PLASTIC NUT COVER OK13	2

For the left front bottom ledge holder just use **42S06U01-10W004**.

ORIGINAL SCREW REPLACEMENT ASSEMBLY
42S06U01-10M008

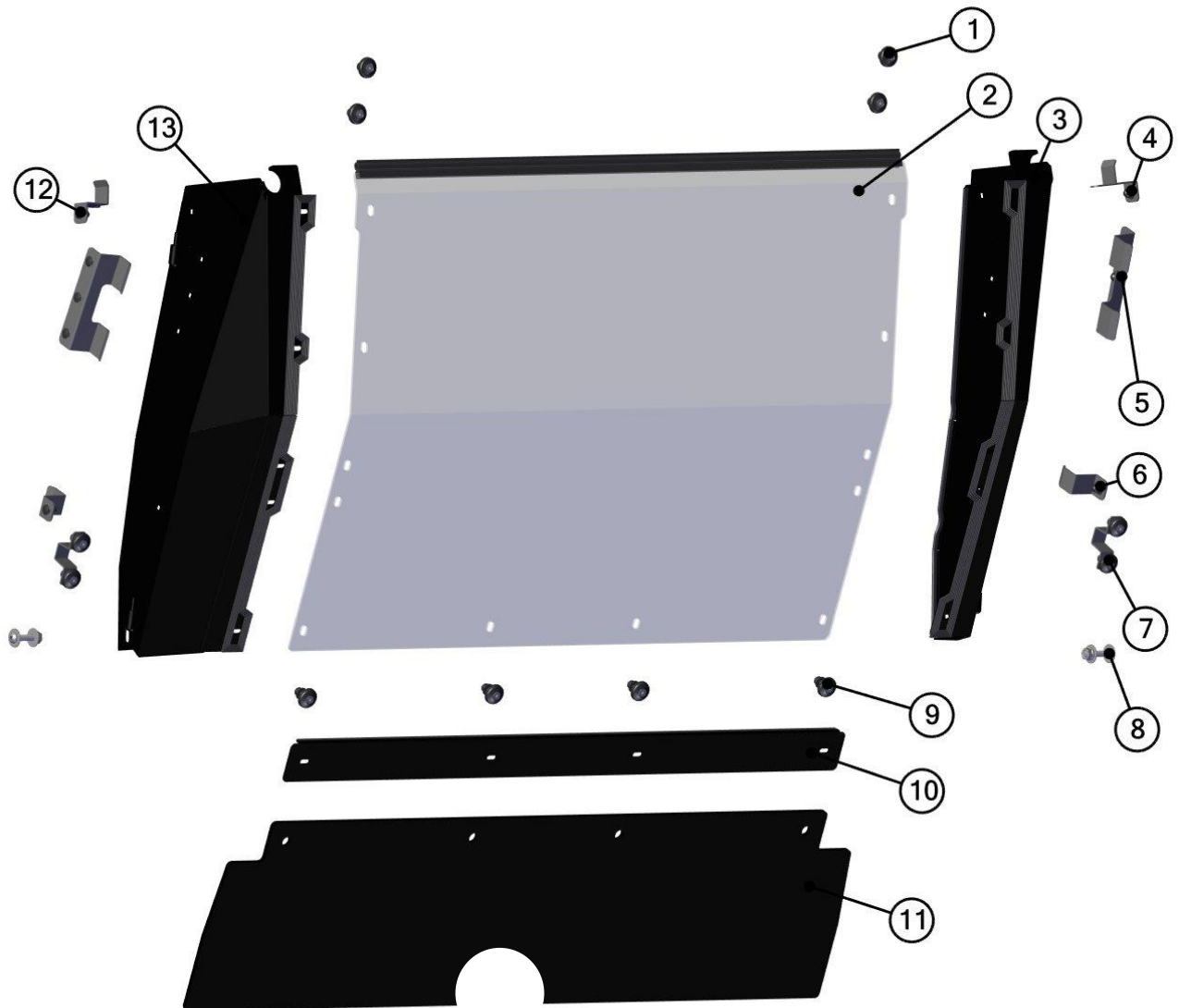


ID	Catalogue no.	Description	Qty
1	003918	SCREW M12x60	1
2	001590	WASHER 12 LARGE	2
3	002036	NUT M12	1

REAR PANEL

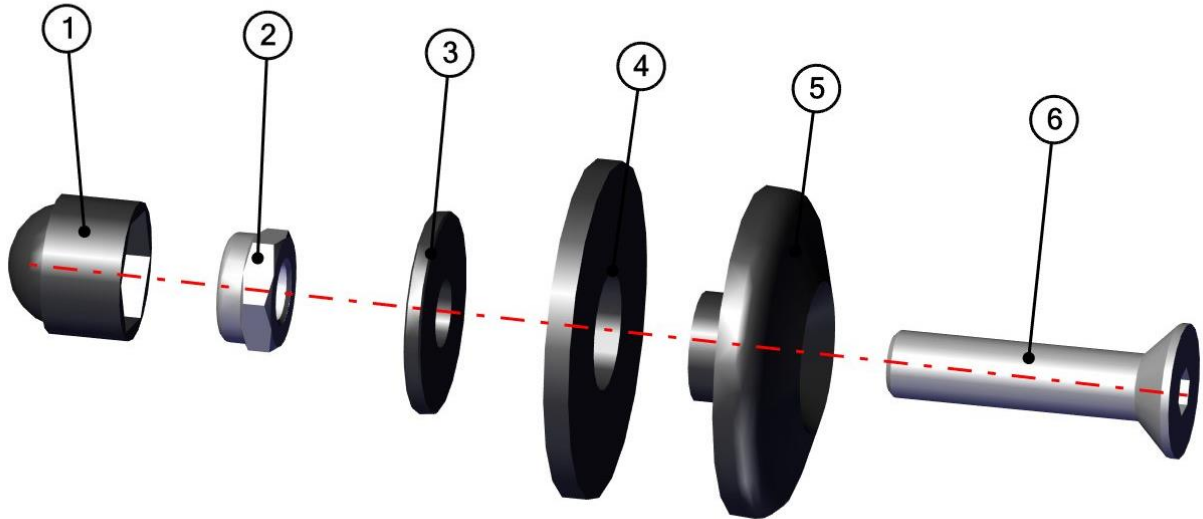


10



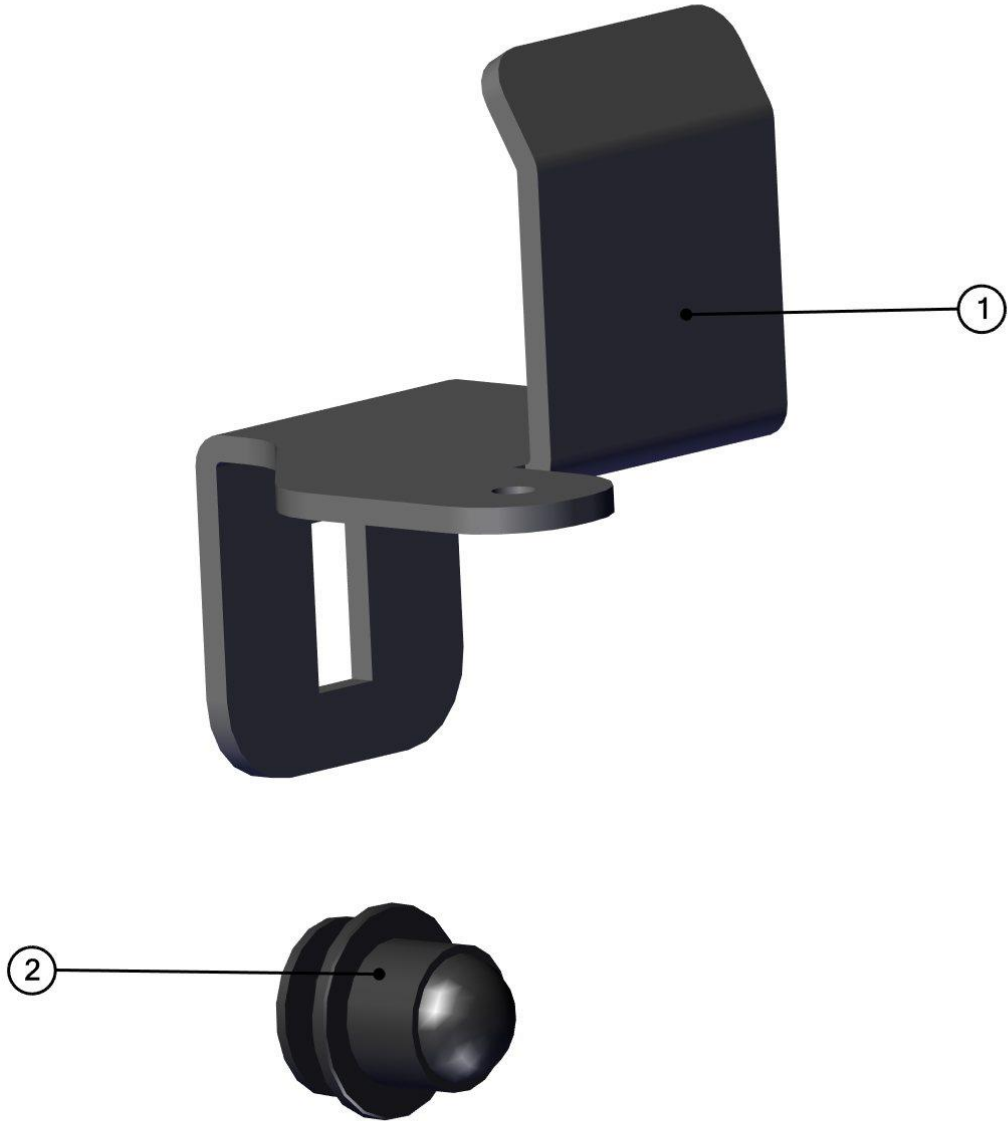
ID	Catalogue no.	Description	Qty
1	00-117U-M001	FIXING ASSEMBLY 1	4
2	42S06U01-20M008	REAR GLASS WITH SEALING	1
3	42S06U01-20M003	RIGHT DOOR BASE	1
4	42S06U01-20M004	RIGHT DOOR BASE UPPER HOLDER	1
5	42S06U01-20M005	DOOR BASE HOLDER LARGE	2
6	42S06U01-20M006	BOTTOM DOOR BASE HOLDER	2
7	42S06U01-20M007	DOOR BASE HOLDER "U"	2
8	42S06U01-10M008	ORIGINAL SCREW REPLACEMENT ASSEMBLY	2
9	42S06U01-20M001	FIXING ASSEMBLY 2	4
10	42S06U01-20M010	REAR BOTTOM LEDGE	1
11	42S06U01-20-007	REAR BOTTOM EPDM	1
12	42S06U01-20M014	LEFT DOOR BASE UPPER HOLDER	1
13	42S06U01-20M013	LEFT DOOR BASE	1

FIXING ASSEMBLY 1
00-117U-M001



ID	Catalogue no.	Description	Qty
1	001309	PLASTIC NUT COVER OK13	1
2	001388	SELF-LOCKING NUT M8	1
3	003322	WASHER 8 LARGE	1
4	001428	RUBBER WASHER	1
5	001429	PLASTIC WASHER	1
6	001760	SCREW M8x35	1

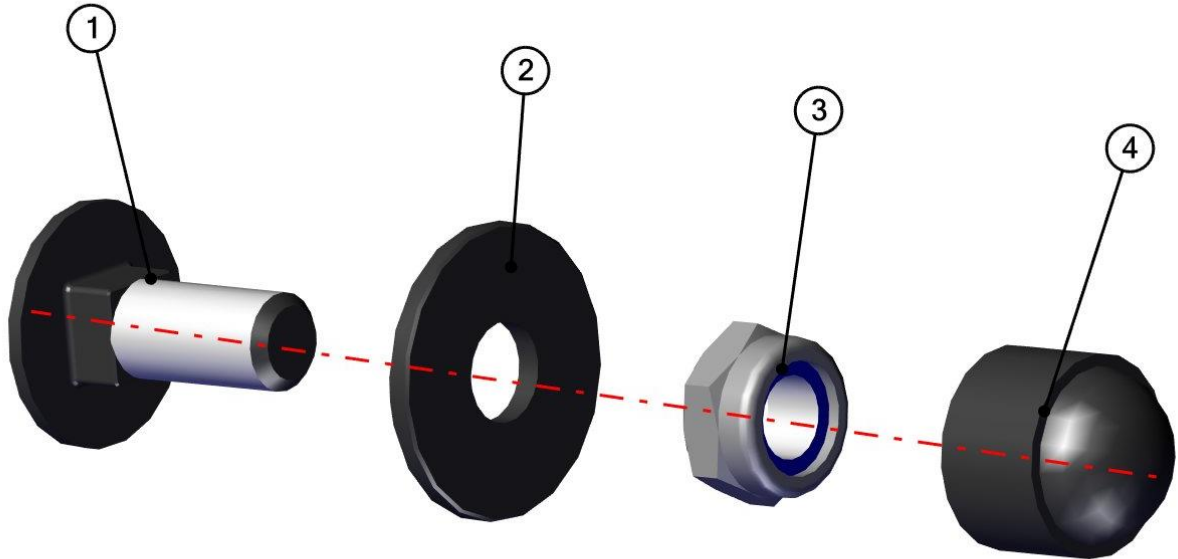
RIGHT DOOR BASE UPPER HOLDER ASSEMBLY
42S06U01-20M004



ID	Catalogue no.	Description	Qty
1	42S06U01-20-005	RIGHT DOOR BASE UPPER HOLDER	1
2	42S06U01-20M002	HOLDER FIXING ASSEMBLY	1

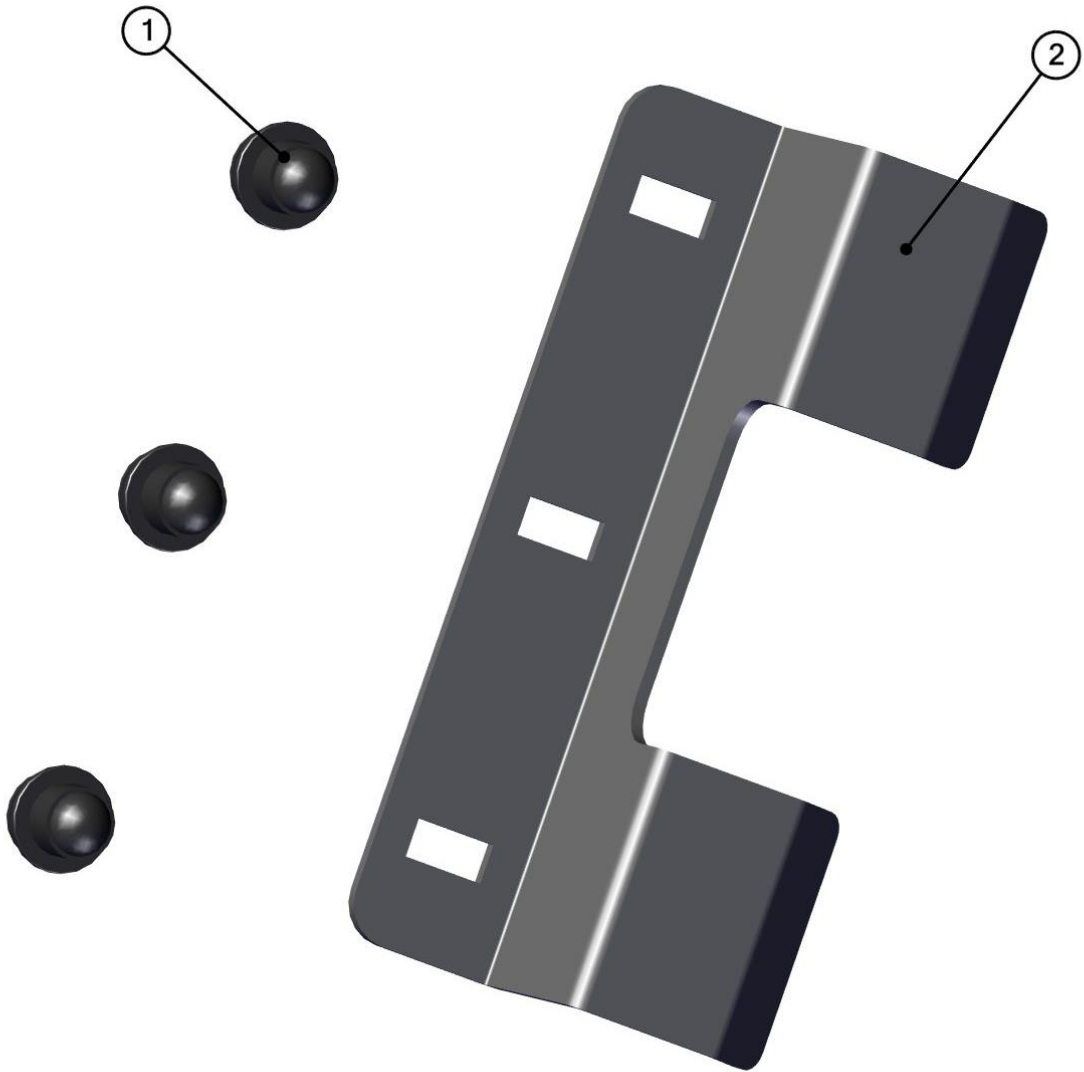
For the left door base upper holder just use **42S06U01-20-015**.

HOLDER FIXING ASSEMBLY
42S06U01-20M002



ID	Catalogue no.	Description	Qty
1	002575	SCREW M8x20	1
2	003322	WASHER 8 LARGE	1
3	001388	SELF-LOCKING NUT M8	1
4	001309	PLASTIC NUT COVER OK13	1

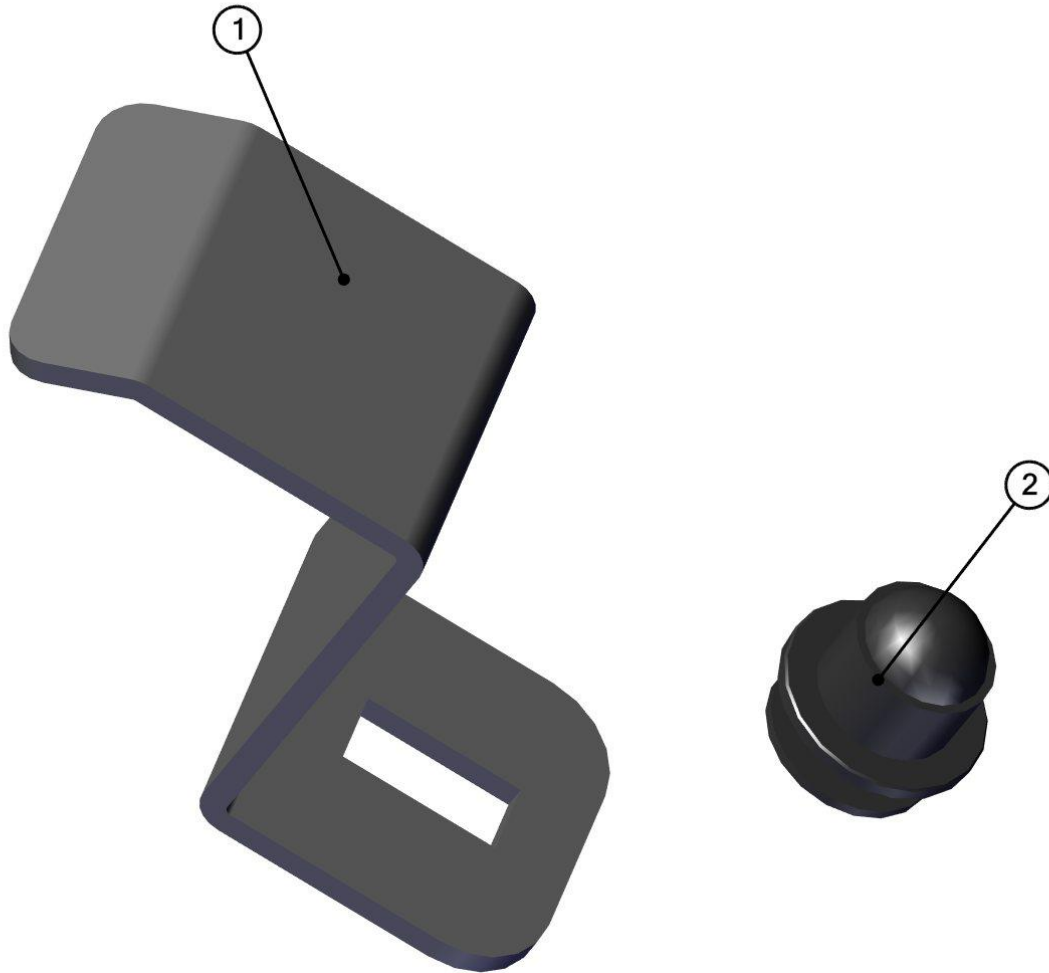
DOOR BASE HOLDER LARGE ASSEMBLY
42S06U01-20M005



15

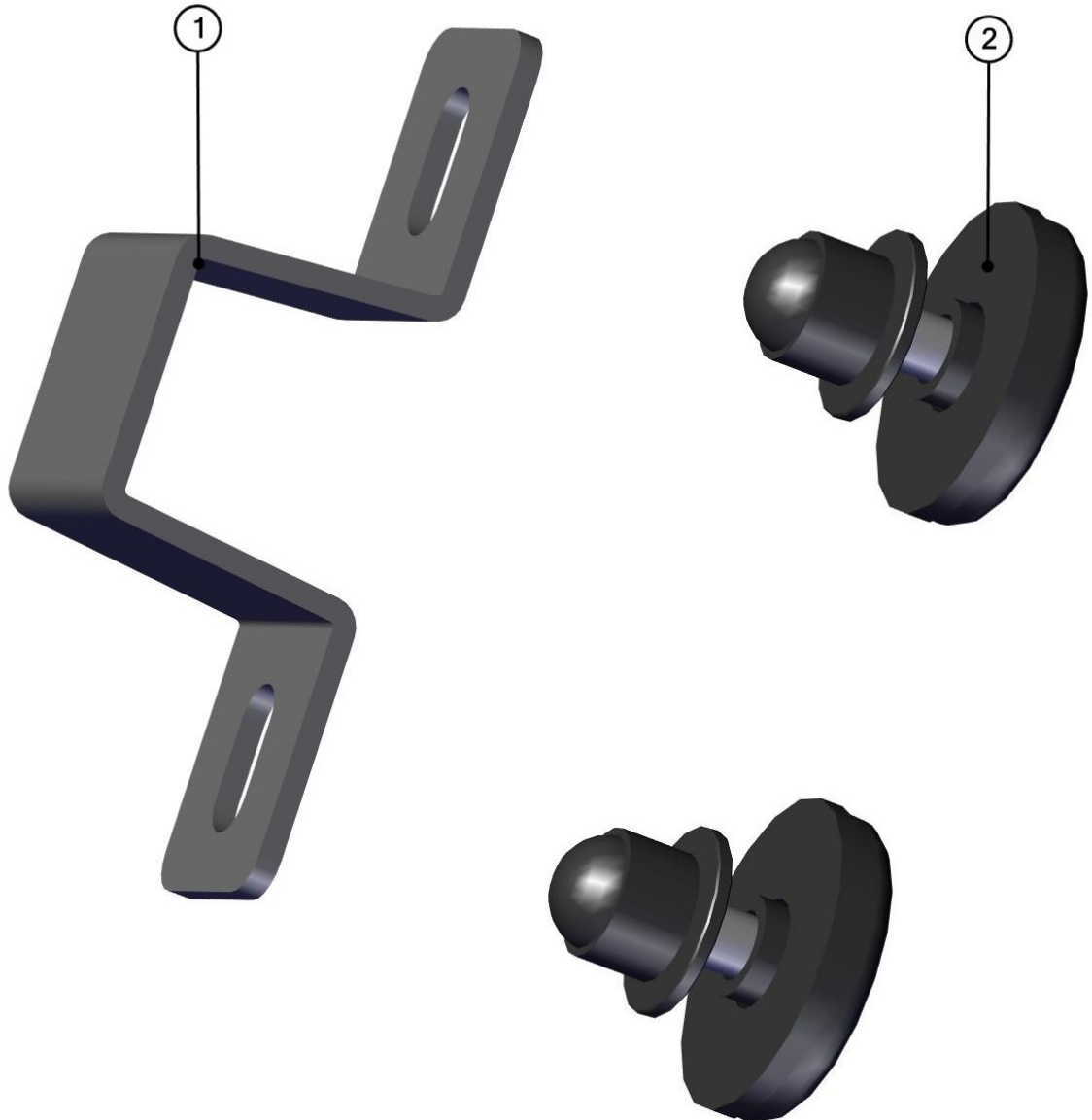
ID	Catalogue no.	Description	Qty
1	42S06U01-20M002	HOLDER FIXING ASSEMBLY	3
2	42S06U01-20-003	DOOR BASE HOLDER LARGE	1

BOTTOM DOOR BASE HOLDER ASSEMBLY
42S06U01-20M006



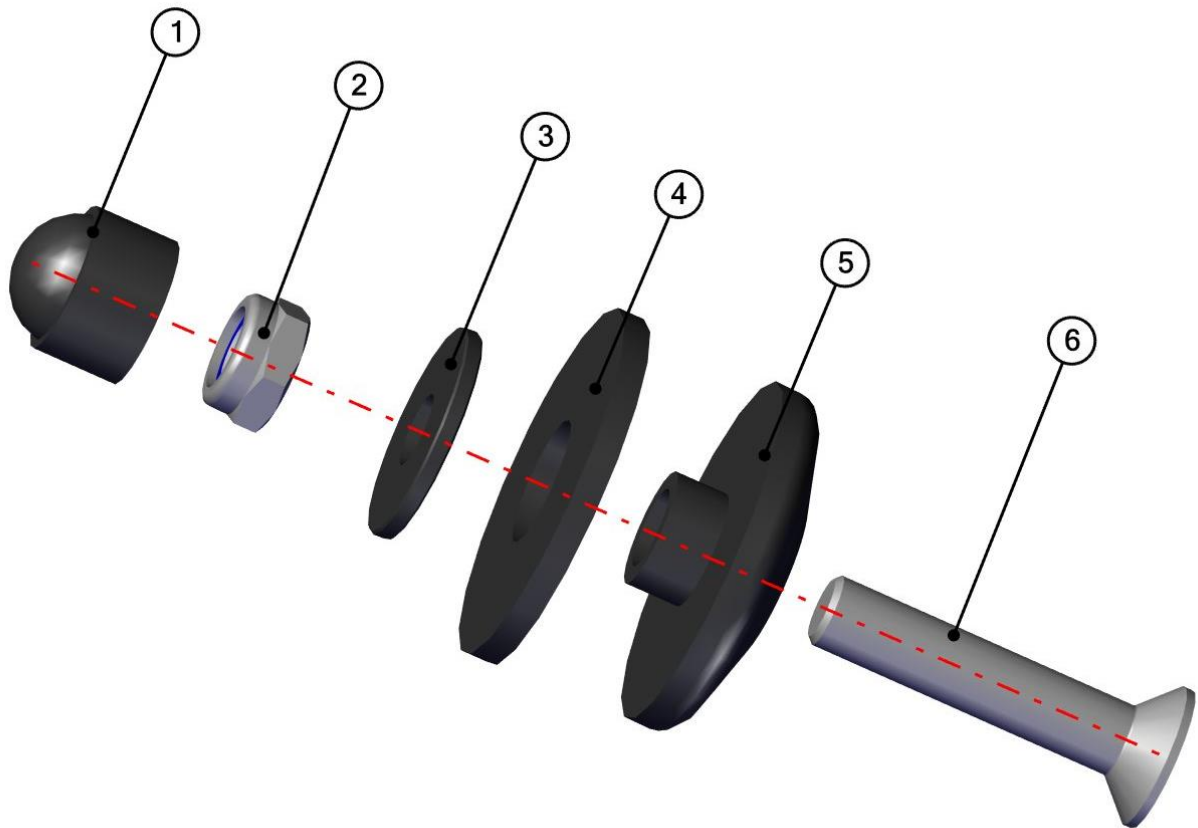
ID	Catalogue no.	Description	Qty
1	42S06U01-20-004	BOTTOM DOOR BASE HOLDER	1
2	42S06U01-20M002	HOLDER FIXING ASSEMBLY	1

DOOR BASE HOLDER "U" ASSEMBLY
42S06U01-20M007



ID	Catalogue no.	Description	Qty
1	42S06U01-20-006	DOOR BASE HOLDER "U"	1
2	00-117U-M001	FIXING ASSEMBLY 1	2

FIXING ASSEMBLY 2
42S06U01-20M001

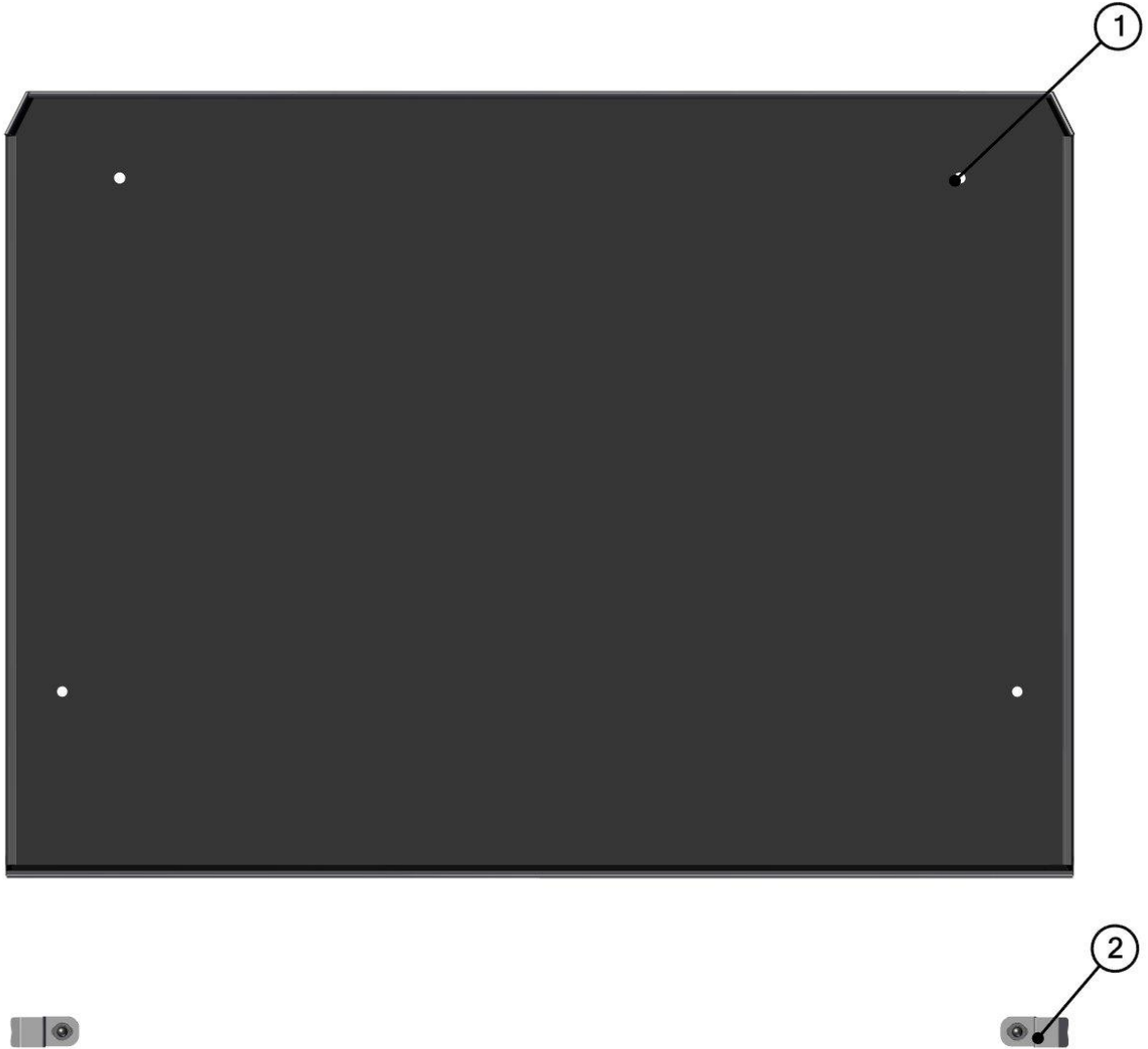


18

ID	Catalogue no.	Description	Qty
1	001309	PLASTIC NUT COVER OK13	1
2	001388	SELF-LOCKING NUT M8	1
3	003322	WASHER 8 LARGE	1
4	001428	RUBBER WASHER	1
5	001429	PLASTIC WASHER	1
6	002607	SCREW M8x45	1

ROOF

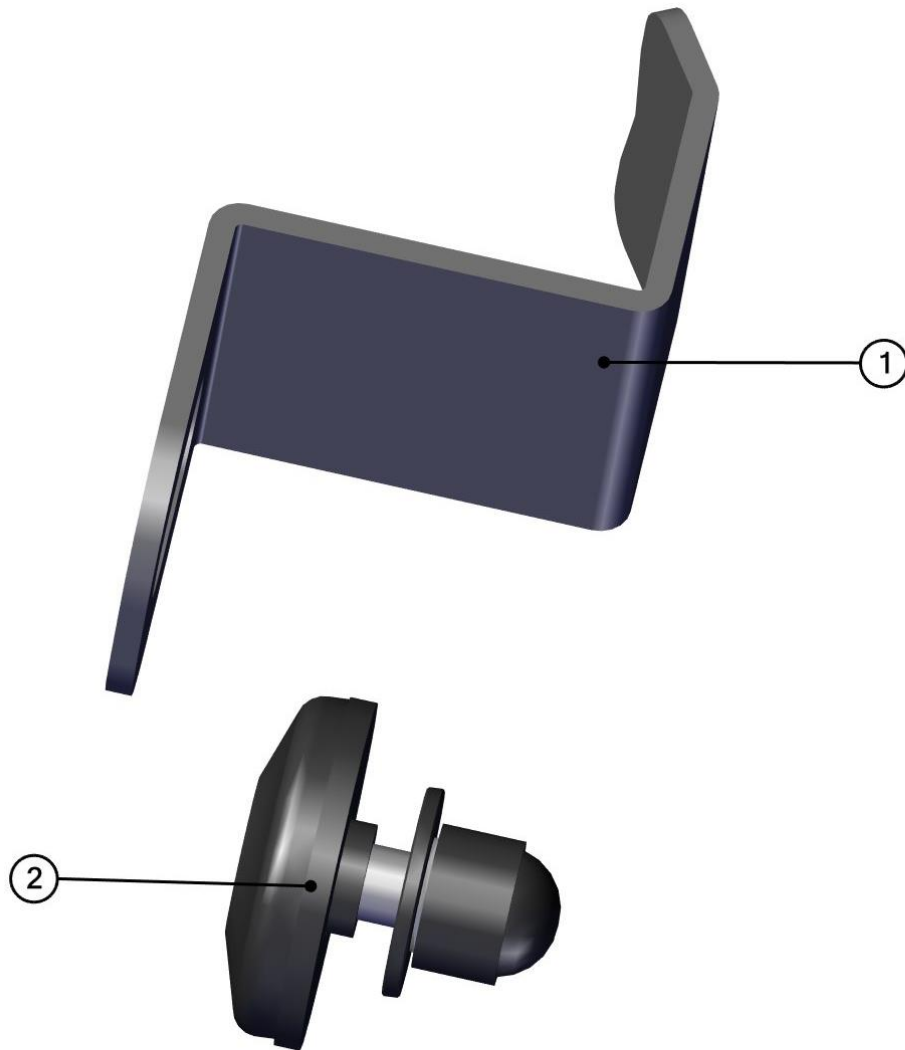




20

ID	Catalogue no.	Description	Qty
1	42S06U01-30M001	ROOF WITH SEALING	1
2	42S06U01-30M002	ROOF HOLDER ASSEMBLY	2

ROOF HOLDER ASSEMBLY
42S06U01-30M002

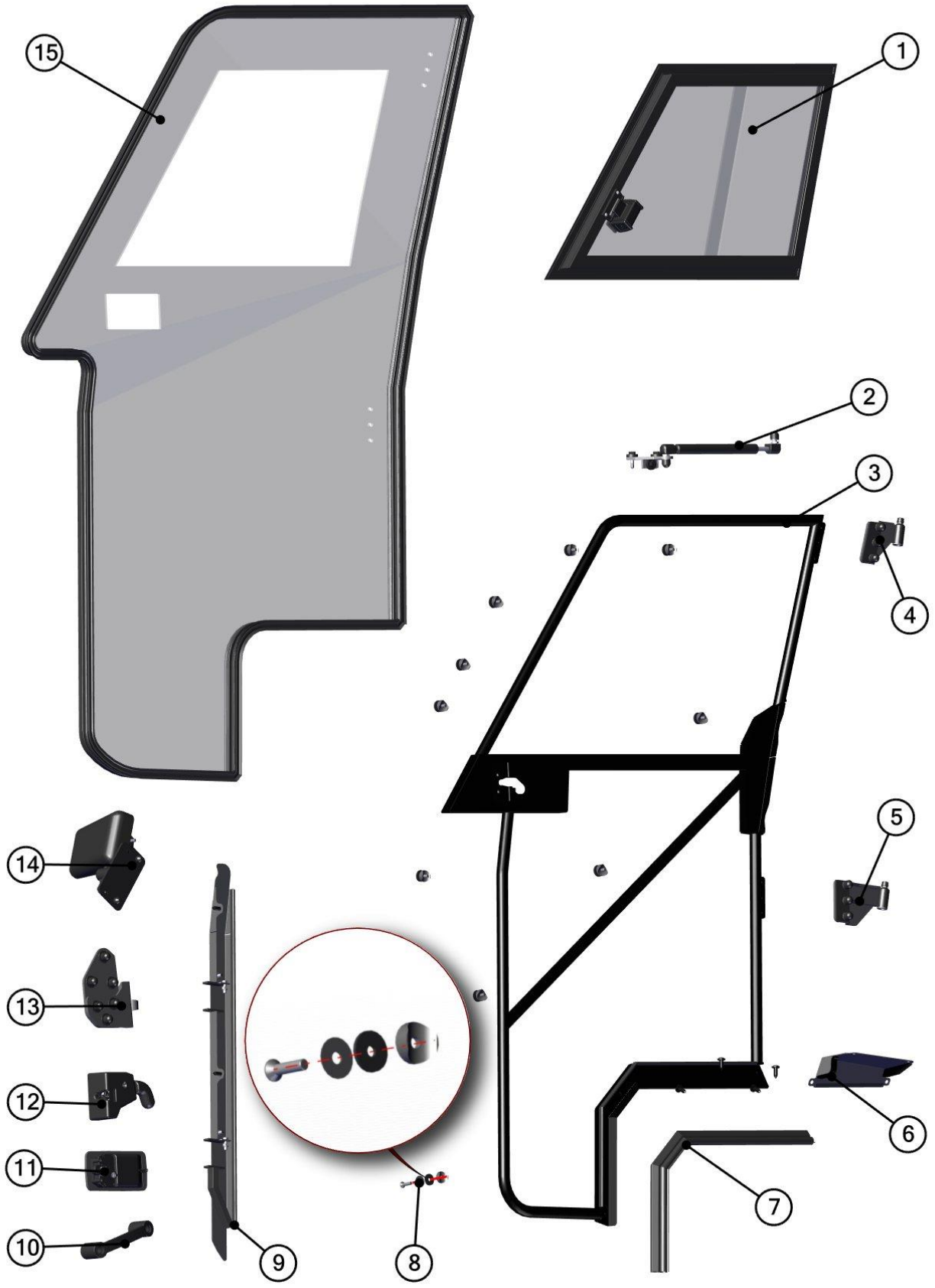


ID	Catalogue no.	Description	Qty
1	42S06U01-30-002	ROOF HOLDER	1
2	00-117U-M002	FIXING ASSEMBLY 1	1

RIGHT DOOR

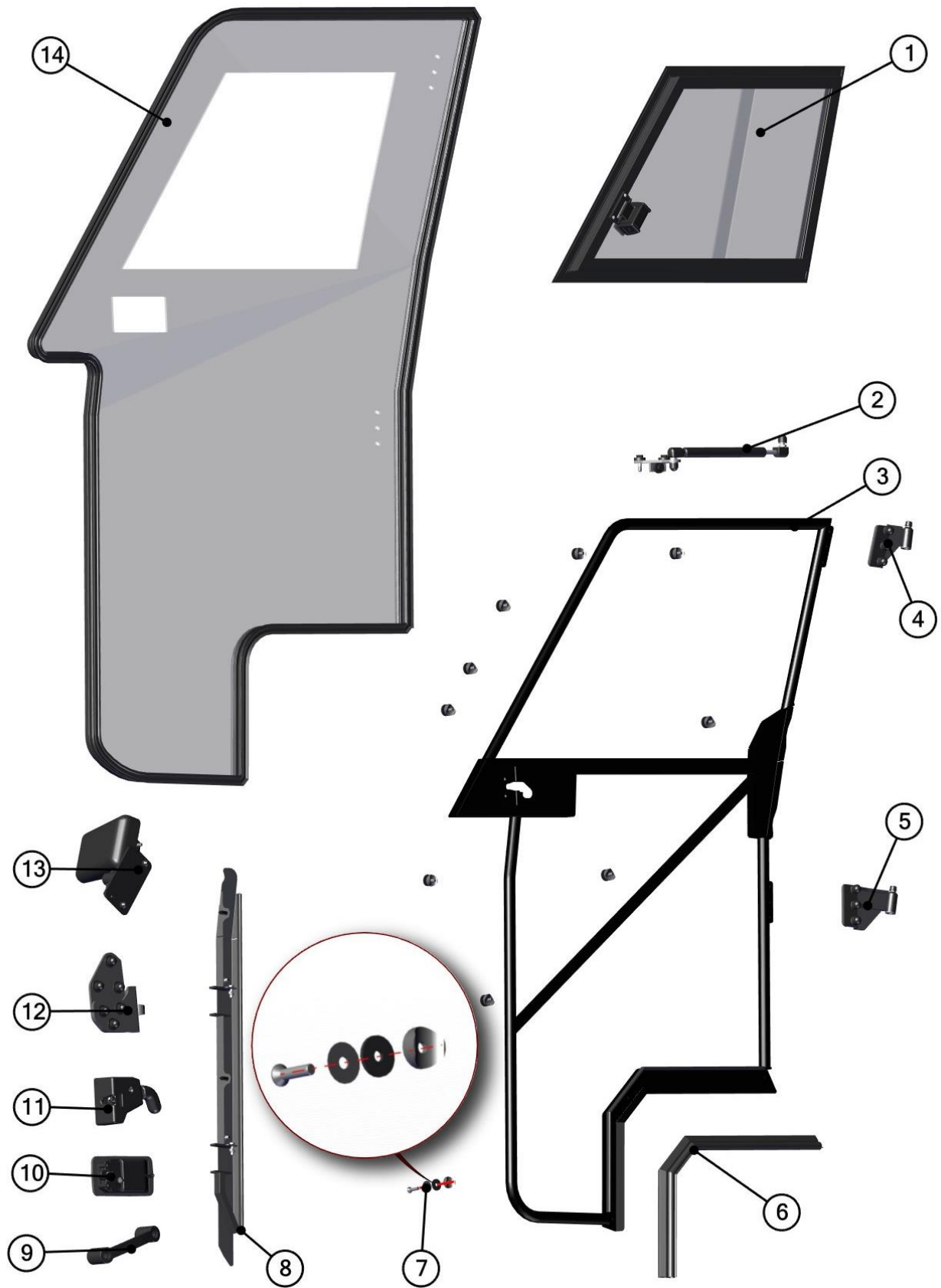


22



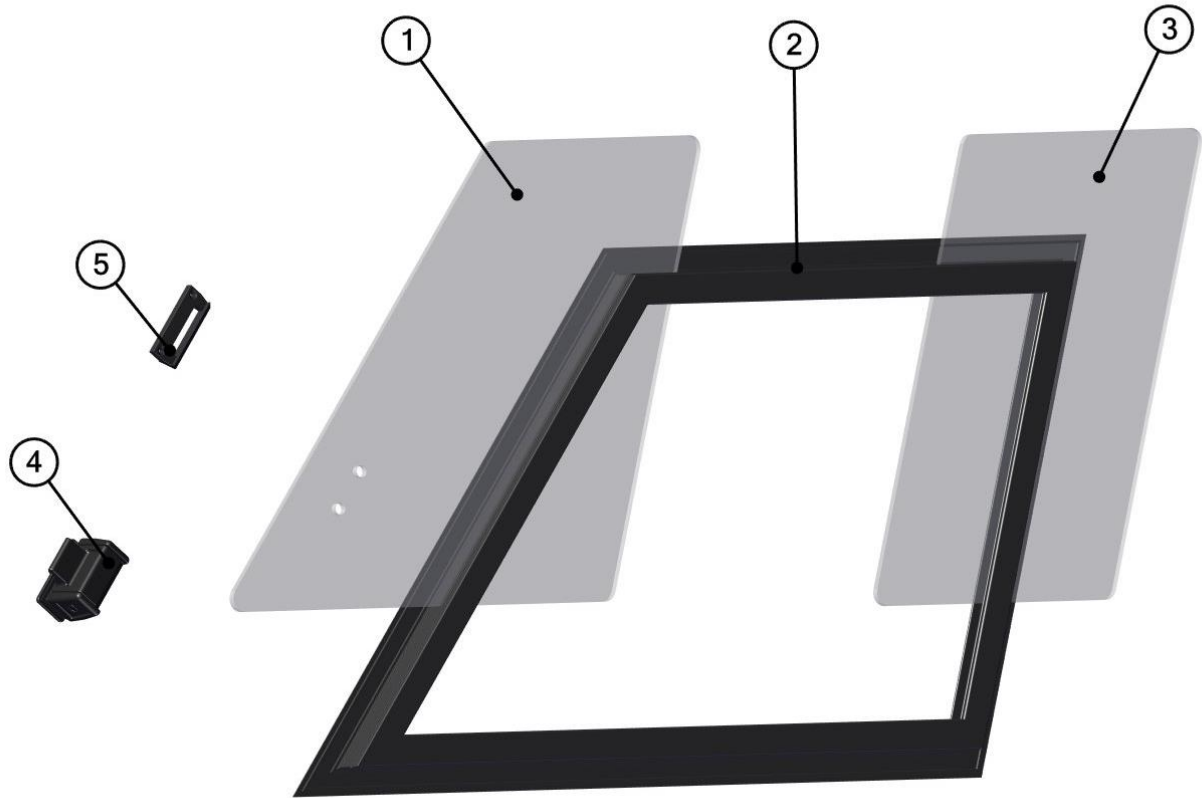
ID	Catalogue no.	Description	Qty
1	42S06U01-50M001	RIGHT WINDOW ASSEMBLY	1
2	42S06U01-50M013	GAS SPRING ASSEMBLY	1
3	42S06U01-50W001	RIGHT DOOR FRAME WELDED	1
4	42S06U01-50M016	RIGHT UPPER DOOR HINGE ASSEMBLY	1
5	42S06U01-50M015	RIGHT BOTTOM DOOR HINGE ASSEMBLY	1
6	42S06U01-50M004	GAS TANK COVER ASSEMBLY	1
7	001005^42S06U01S50	RUBBER PROFILE "PIRELA STRAIGHT"	1
8	00-00M019	POLYCARBONATE FIXING ASSEMBLY	10
9	42S06U01-50M009	RIGHT FRONT SEALING LEDGE ASSEMBLY	1
10	001703	DOOR HANDLE	1
11	000841	OUTER DOOR LOCK	1
12	001744	RIGHT INNER DOOR LOCK	1
13	42S06U01-50M002	RIGHT DOOR STOP ASSEMBLY	1
14	00-109U-M004	RIGHT DOOR MIRROR ASSEMBLY	1
15	42S06U01-50M012	RIGHT POLYCARBONATE WITH SEALING	1

LEFT DOOR



ID	Catalogue no.	Description	Qty
1	42S06U01-40M001	LEFT WINDOW ASSEMBLY	1
2	42S06U01-50M013	GAS SPRING ASSEMBLY	1
3	42S06U01-40W001	LEFT DOOR FRAME WELDED	1
4	42S06U01-40M016	LEFT UPPER DOOR HINGE	1
5	42S06U01-40M015	LEFT BOTTOM DOOR HINGE	1
6	001005^42S06U01S50	RUBBER PROFILE "PIRELA STRAIGHT"	1
7	00-00M019	POLYCARBONATE FIXING ASSEMBLY	10
8	42S06U01-40M009	LEFT FRONT SEALING LEDGE ASSEMBLY	1
9	001703	DOOR HANDLE	1
10	000841	OUTER DOOR LOCK	1
11	001743	LEFT INNER DOOR LOCK	1
12	42S06U01-40M002	LEFT DOOR STOP ASSEMBLY	1
13	00-109U-M003	LEFT DOOR MIRROR ASSEMBLY	1
14	42S06U01-40M012	LEFT POLYCARBONATE WITH SEALING	1

RIGHT WINDOW ASSEMBLY
42S06U01-50M001



27

ID	Catalogue no.	Description	Qty
1	42S06U01-50-010	DOOR GLASS MOVABLE	1
2	42S06U01-50-008	LEFT WINDOW FRAME	1
3	42S06U01-50-009	DOOR GLASS SOLID	1
4	001700	GLASS LOCK	1
5	001762	GLASS STOP	1

For the left window frame just use **42S06U01-40-008**.

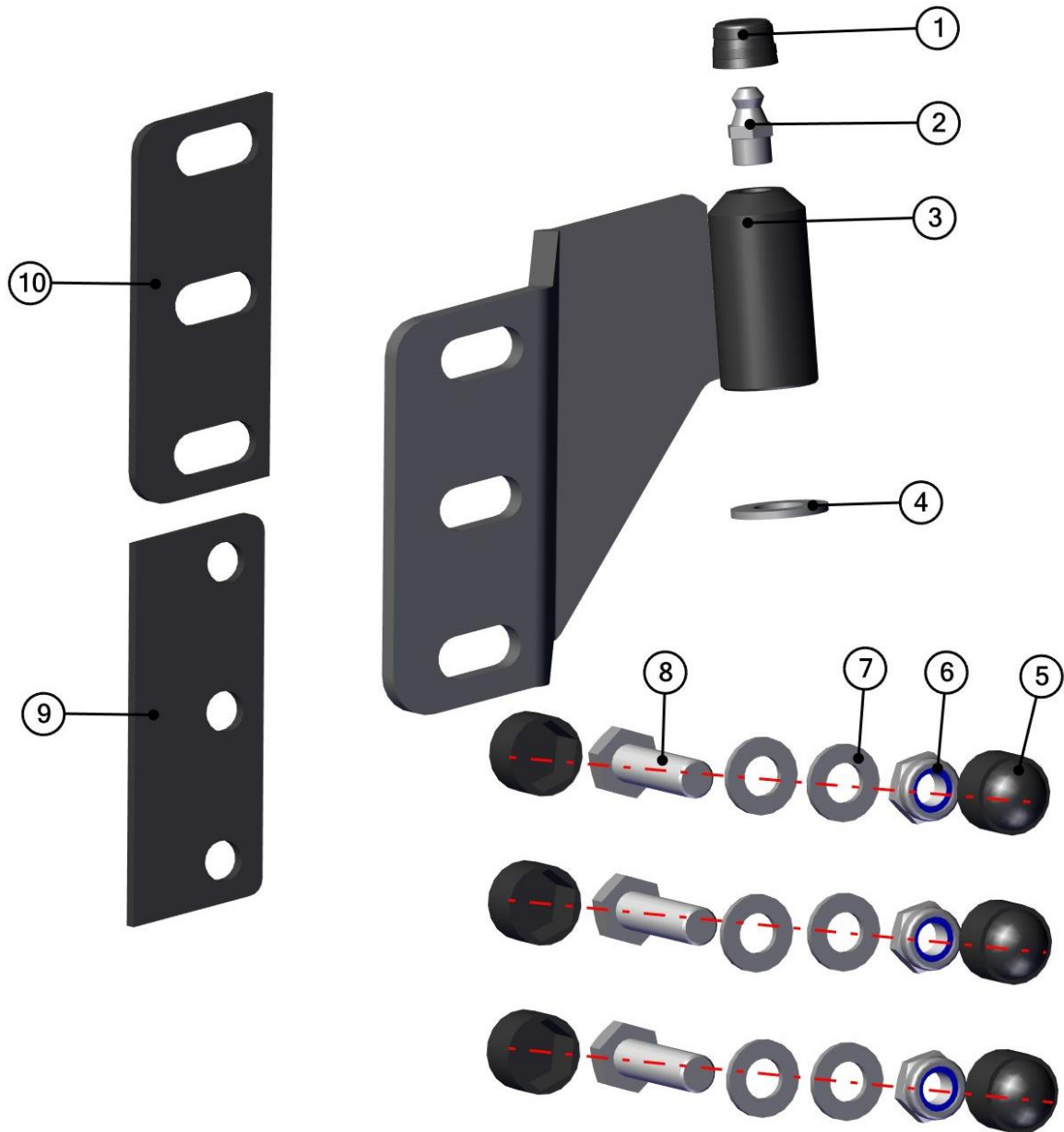
GAS SPRING ASSEMBLY
42S06U01-50M013



28

ID	Catalogue no.	Description	Qty
1	000868	GAS SPRING	1
2	001309	PLASTIC NUT COVER OK13	2
3	001388	SELF-LOCKING NUT M8	2
4	001387	WASHER 8	2
5	001351	PLASTIC TEX SCREW COVER OK 10	3
6	001459	TEX SCREW 6,3x25	3
7	001337	WASHER 6 LARGE	3
8	00-004E04	GAS SPRING HOLDER	1

RIGHT UPPER DOOR HINGE ASSEMBLY
42S06U01-50M016

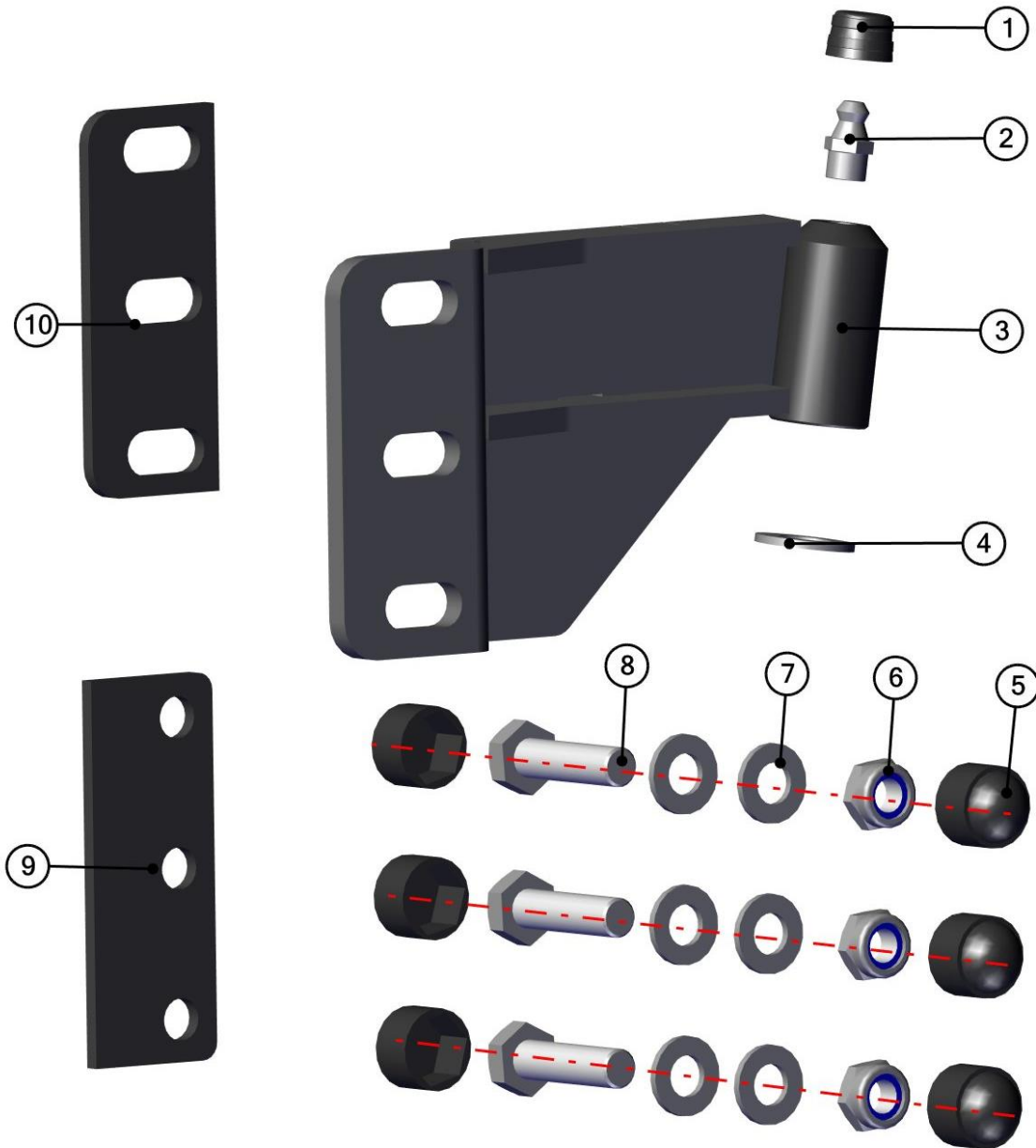


29

ID	Catalogue no.	Description	Qty
1	001431	RUBBER COVER	1
2	001430	LUBRICATOR	1
3	42S06U01-50W004	RIGHT UPPER DOOR HINGE WELDED	1
4	001485	WASHER 10	1
5	001309	PLASTIC NUT COVER OK13	6
6	001388	SELF-LOCKING NUT M8	3
7	001387	WASHER 8	6
8	001411	SCREW M8x30	3
9	42S06U01-50-029	UPPER HINGE FRAME WASHER	1
10	42S06U01-50-028	UPPER HINGE WASHER	1

For the left upper door hinge welded just use **42S06U01-40W004**.

RIGHT BOTTOM DOOR HINGE ASSEMBLY
42S06U01-50M015

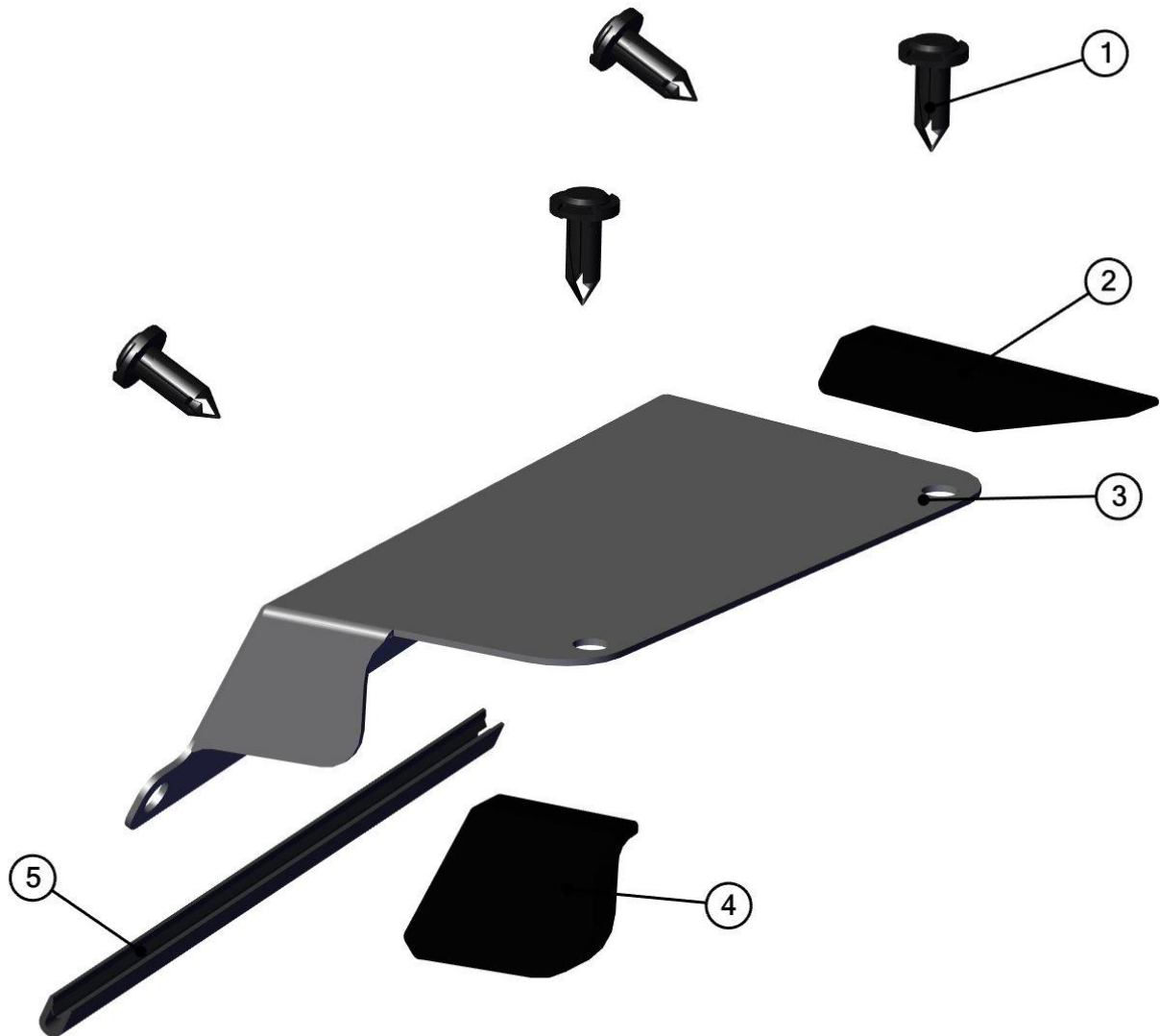


30

ID	Catalogue no.	Description	Qty
1	001431	RUBBER COVER	1
2	001430	LUBRICATOR	1
3	42S06U01-50W003	RIGHT BOTTOM DOOR HINGE WELDED	1
4	001485	WASHER 10	1
5	001309	PLASTIC NUT COVER OK13	6
6	001388	SELF-LOCKING NUT M8	3
7	001387	WASHER 8	6
8	001411	SCREW M8x3	3
9	42S06U01-50-025	BOTTOM HINGE FRAME WASHER	1
10	42S06U01-50-024	BOTTOM HINGE WASHER	1

For the left bottom door hinge welded just use **42S06U01-40W003**.

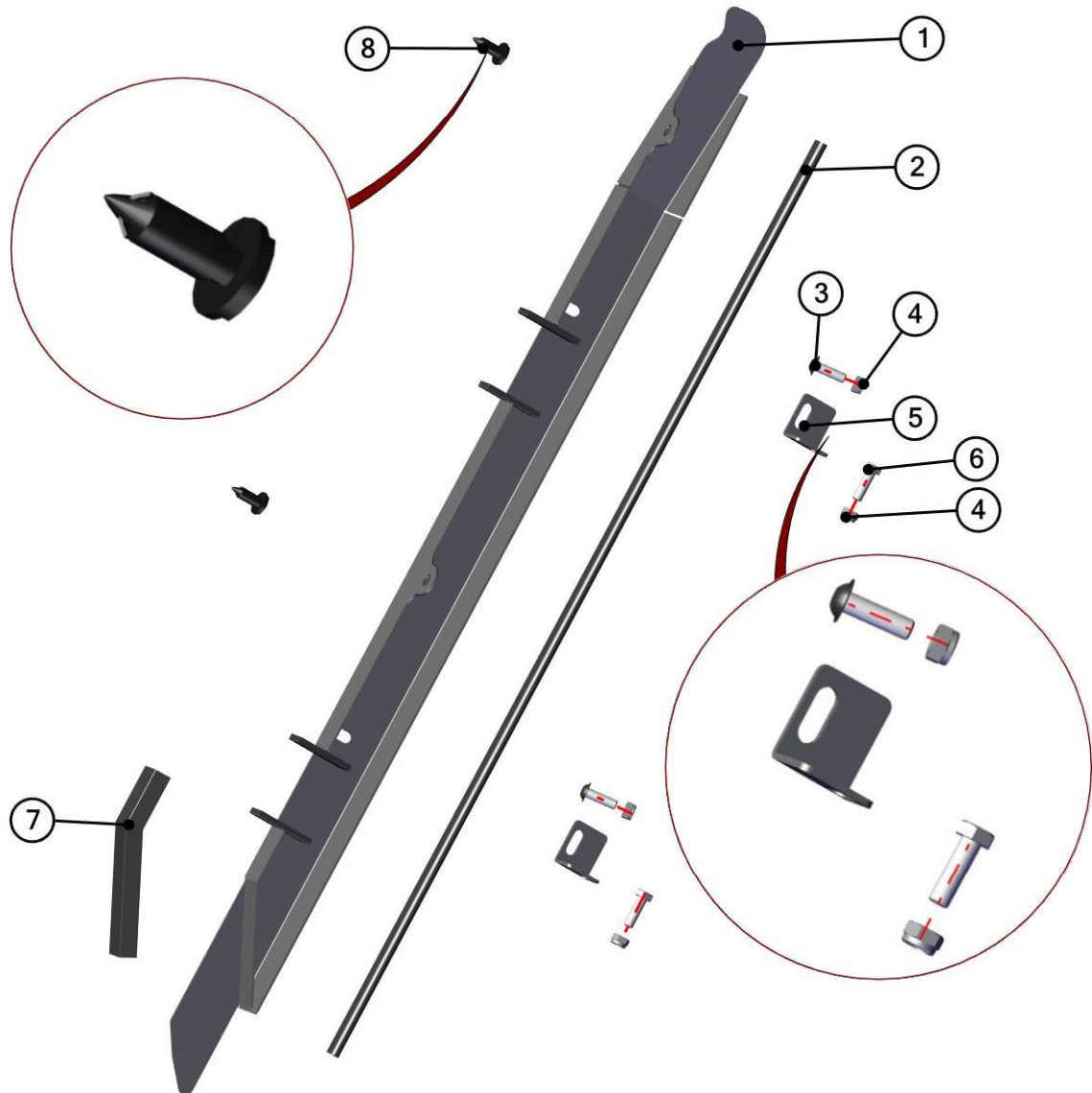
GAS TANK COVER ASSEMBLY
42S06U01-50M004



31

ID	Catalogue no.	Description	Qty
1	002615	RUBBER RIVET	4
2	42S06U01-50-017	GAS TANK SEALING EPDM 2	1
3	42S06U01-50-015	GAS TANK SEALING	1
4	42S06U01-50-016	GAS TANK SEALING EPDM 1	1
5	001001^42S06U01-50M014	RUBBER PROFILE "LEMOVKA"	1

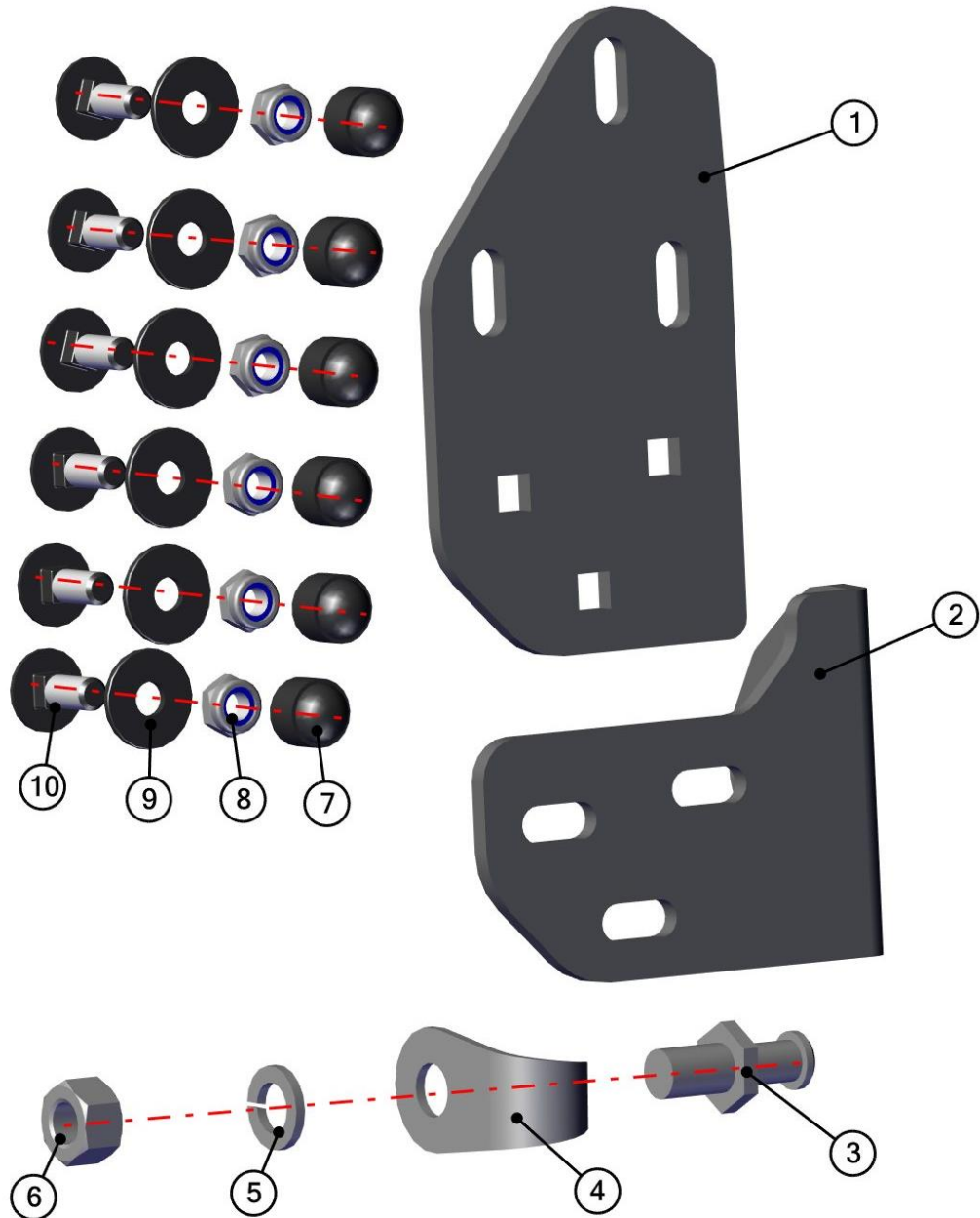
RIGHT FRONT SEALING LEDGE ASSEMBLY
42S06U01-50M009



ID	Catalogue no.	Description	Qty
1	42S06U01-50-001	RIGHT DOOR SEALING LEDGE	1
2	001001^42S06U01-50M011	RUBBER PROFILE "LEMOVKA"	1
3	002192	SCREW M6x20	2
4	001392	SELF-LOCKING NUT M6	4
5	42S06U01-50-021	DOOR SEALING LEDGE HOLDER	2
6	001398	SCREW M6x20	2
7	001016^42S06U01-50M011	RUBBER PROFILE "VLECKA"	1
8	002615	RUBBER RIVET	2

For the left door sealing ledge just use 42S06U01-40-001.
For the left door sealing ledge holder just use 42S06U01-40-021.

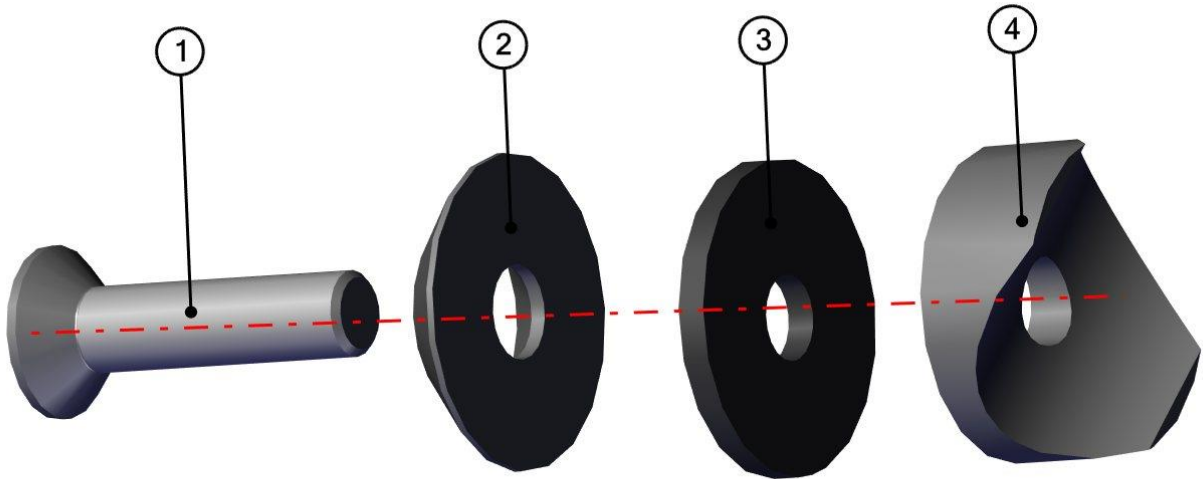
RIGHT DOOR STOP ASSEMBLY
42S06U01-50M002



ID	Catalogue no.	Description	Qty
1	42S06U01-50-013	DOOR STOP BASE	1
2	42S06U01-50-014	RIGHT DOOR STOP HOLDER	1
3	000854	DOOR STOP PIN	1
4	000855	DOOR STOP HOOK	1
5	000857	DOOR STOP WASHER	1
6	000856	DOOR STOP NUT	1
7	001309	PLASTIC NUT COVER OK13	6
8	001388	SELF-LOCKING NUT M8	6
9	003322	WASHER 8 LARGE	6
10	002575	SCREW M8x20	6

For the left door stop holder just use **42S06U01-40-014**.

POLYCARBONATE FIXING ASSEMBLY
00-00M019

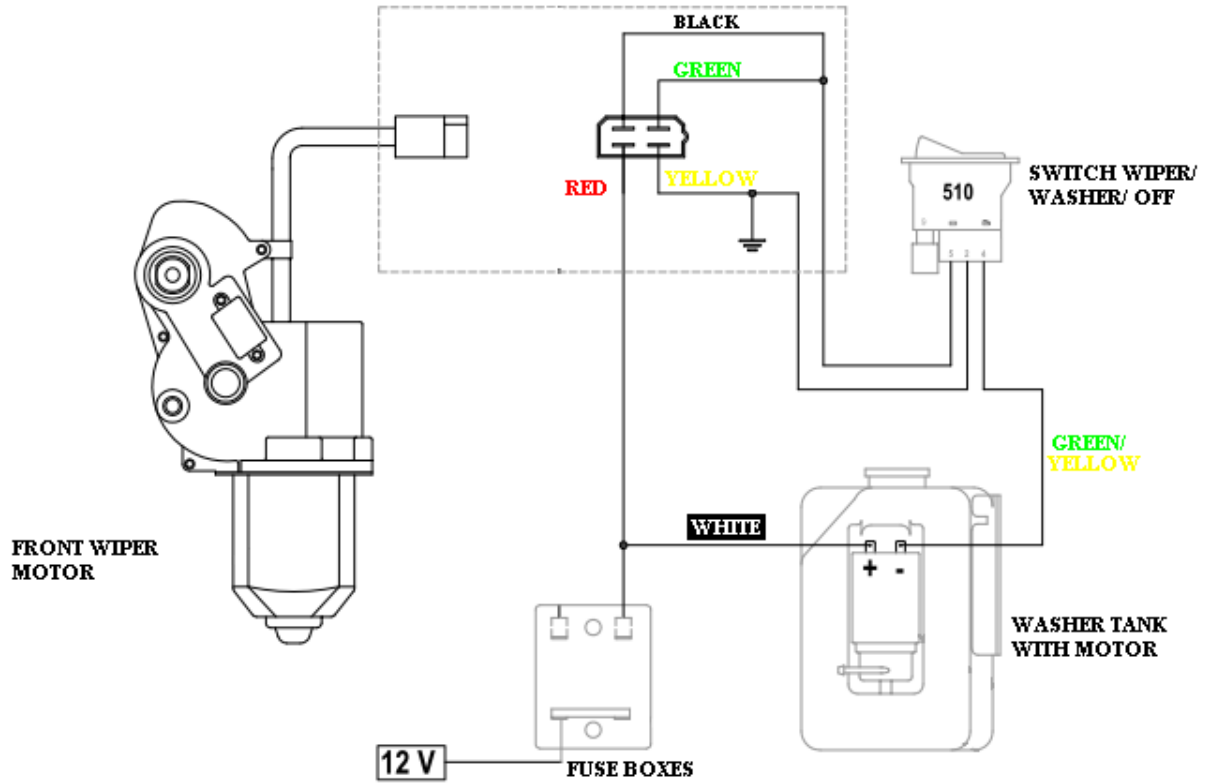


34

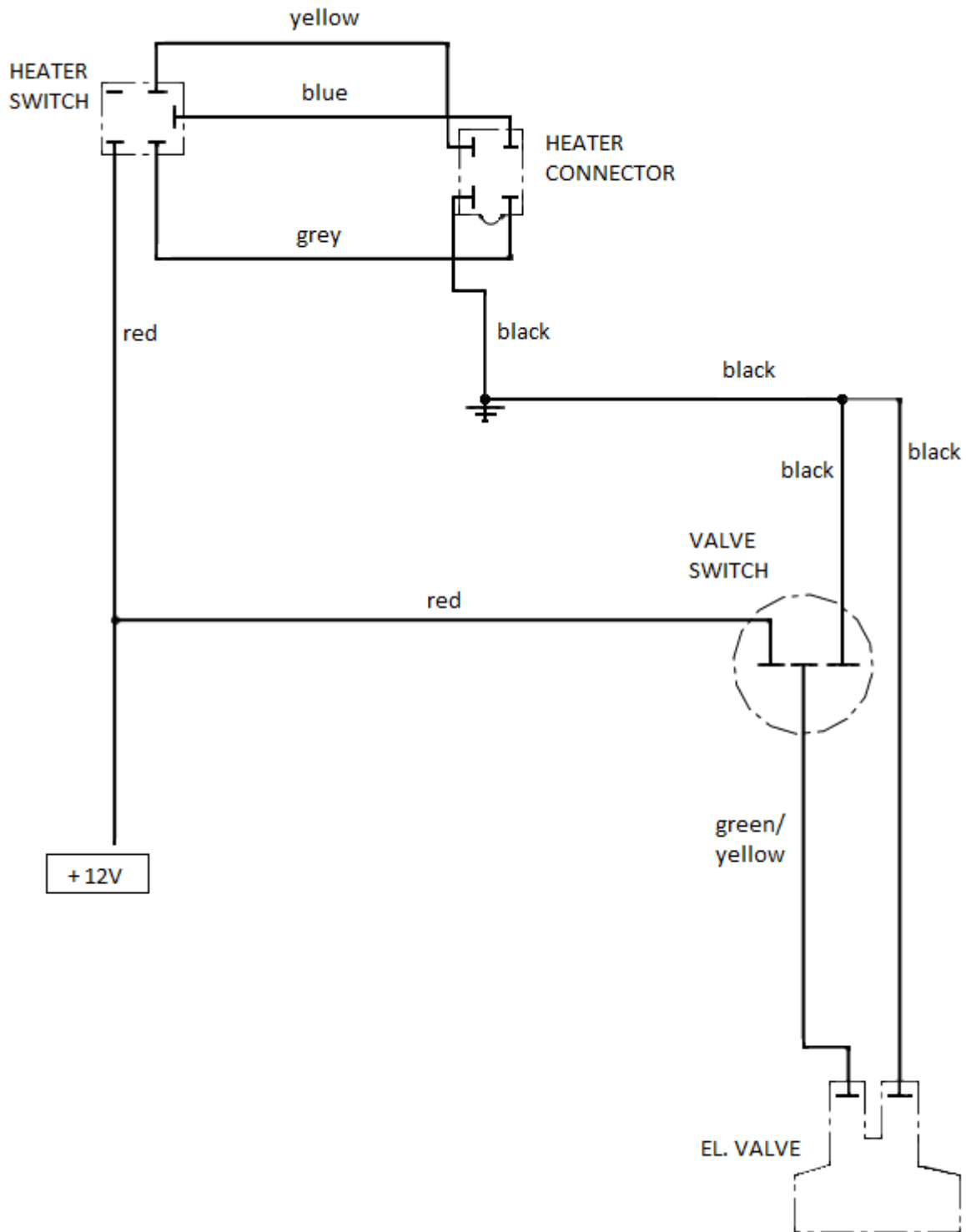
ID	Catalogue no.	Description	Qty
1	002120	SCREW M6x25	1
2	001715	PLASTIC WASHER	1
3	001735	RUBBER WASHER	1
4	001736	SADDLE WASHER	1

ELECTROINSTALLATION

Overall wiring diagram (wiper/washer)







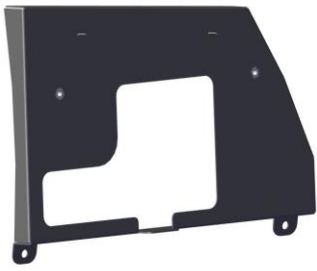

Overall wiring diagram (heater)








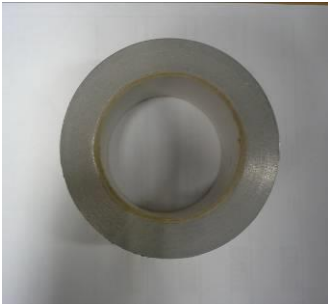



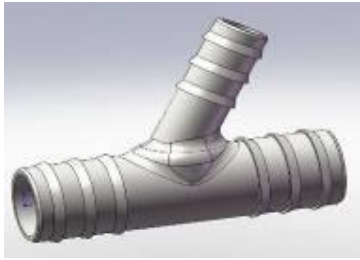
36

Position	Catalogue no.	Description	Qty
1	000968	SWITCH WIPER /WASHER /OFF	1
2	000885	WASHER TANK	1
3	001576	WASHER MOTOR	1
4	001652	FUSE BOX 2x1	1
5	002764	WIPER MOTOR 12V	1
6	42S06U01-01M001	WIPER HARNESS	1
7	42S06U01-02W001	HEATER HOLDER	1
8	002491	AIR VENT VALVE	1
9	002386	ELECTROMAGNETIC VALVE	1
10	001367	TIGHTENING STRAP 12-22MM	2
11	002642	TIGHTENING STRAP 14-27MM	10
12	002643	TIGHTENING STRAP 21-38MM	2
13	001368	TIGHTENING STRAP 40-60MM	4
14	002863	AIR VENT SMALLER	2
15	002379	AIR VENT BIGGER	2
16	002795	AIR HOSE	1
17	002705	AL SELFGLUED TAPE	1
18	003536	HEATER TUBE "Y" SMALL	1
19	002502	HEATER TUBE "Y" LARGE	1
20	002391	EL.VENT SWITCH	1
21	002702	HEATER SWITCH	1
22	42S06U01-02M006	HEATER HARNESS	1
23	000896	HEATER HOSE	1
24	002624	HEATER	1
25	42S06U01-03M001	WASHER HARNESS	1

SEE PICTURES ON NEXT PAGES

		
<p>Position : 1 Catalogue no.: 000968</p>	<p>Position : 2 Catalogue no.: 000885</p>	<p>Position : 3 Catalogue no.: 001576</p>
		
<p>Position : 4 Catalogue no.: 001652</p>	<p>Position : 5 Catalogue no.: 002764</p>	<p>Position : 6 Catalogue no.: 42S06U01-01M001</p>
		
<p>Position : 7 Catalogue no.: 42S06U01-02W001</p>	<p>Position : 8 Catalogue no.: 002491</p>	<p>Position : 9 Catalogue no.: 002386</p>

		
Position : 10	Position : 11	Position : 12
Catalogue no.: 001367	Catalogue no.: 002642	Catalogue no.: 002643
		
Position : 13	Position : 14	Position : 15
Catalogue no.: 001368	Catalogue no.: 002863	Catalogue no.: 002739
		
Position : 16	Position : 17	Position : 18
Catalogue no.: 002795	Catalogue no.: 002705	Catalogue no.: 003536



Position : 19

Catalogue no.: 002502

Position :20

Catalogue no.: 002391

Position : 21

Catalogue no.: 002702



Position : 22

**Catalogue no.:
42S06U01-02M006**

Position : 23

Catalogue no.: 000896

Position : 24

Catalogue no.: 002624



Position : 25

**Catalogue no.:
42S06U01-03M001**