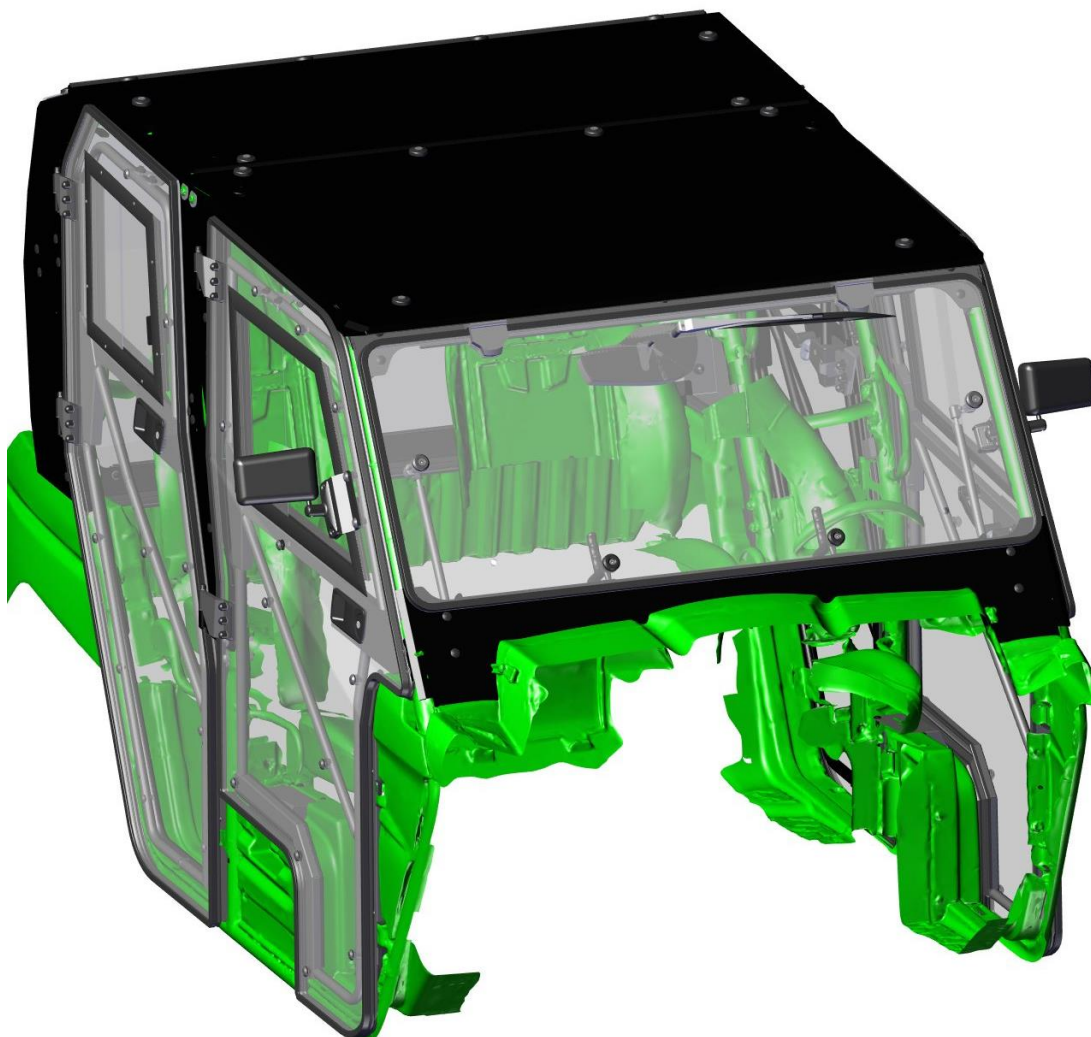


HardCabs

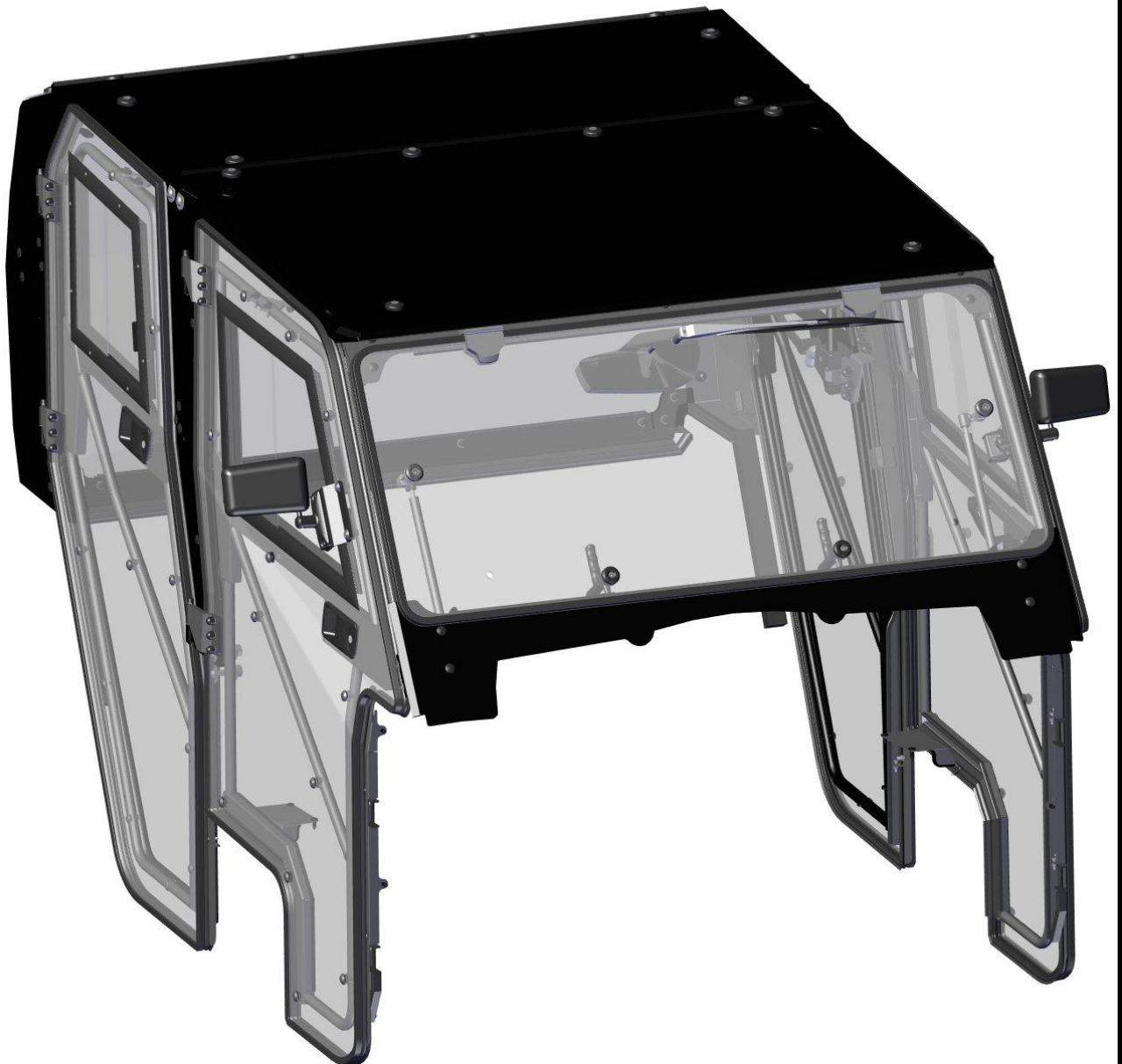
A DFK AMERICA COMPANY

SPARE - PARTS CATALOG

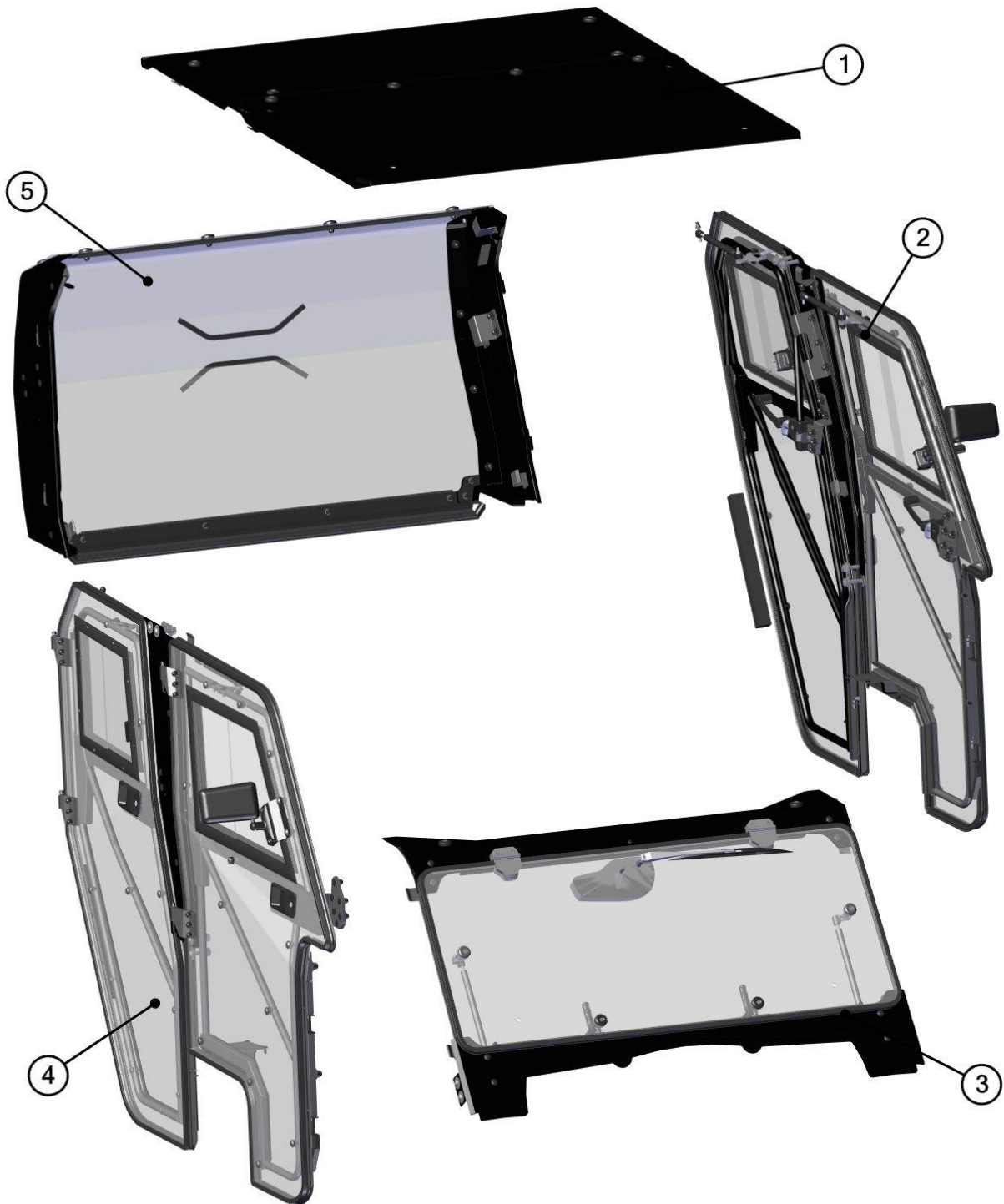
KAWASAKI **TERYX 800 LE - 4**



CAB PREVIEW



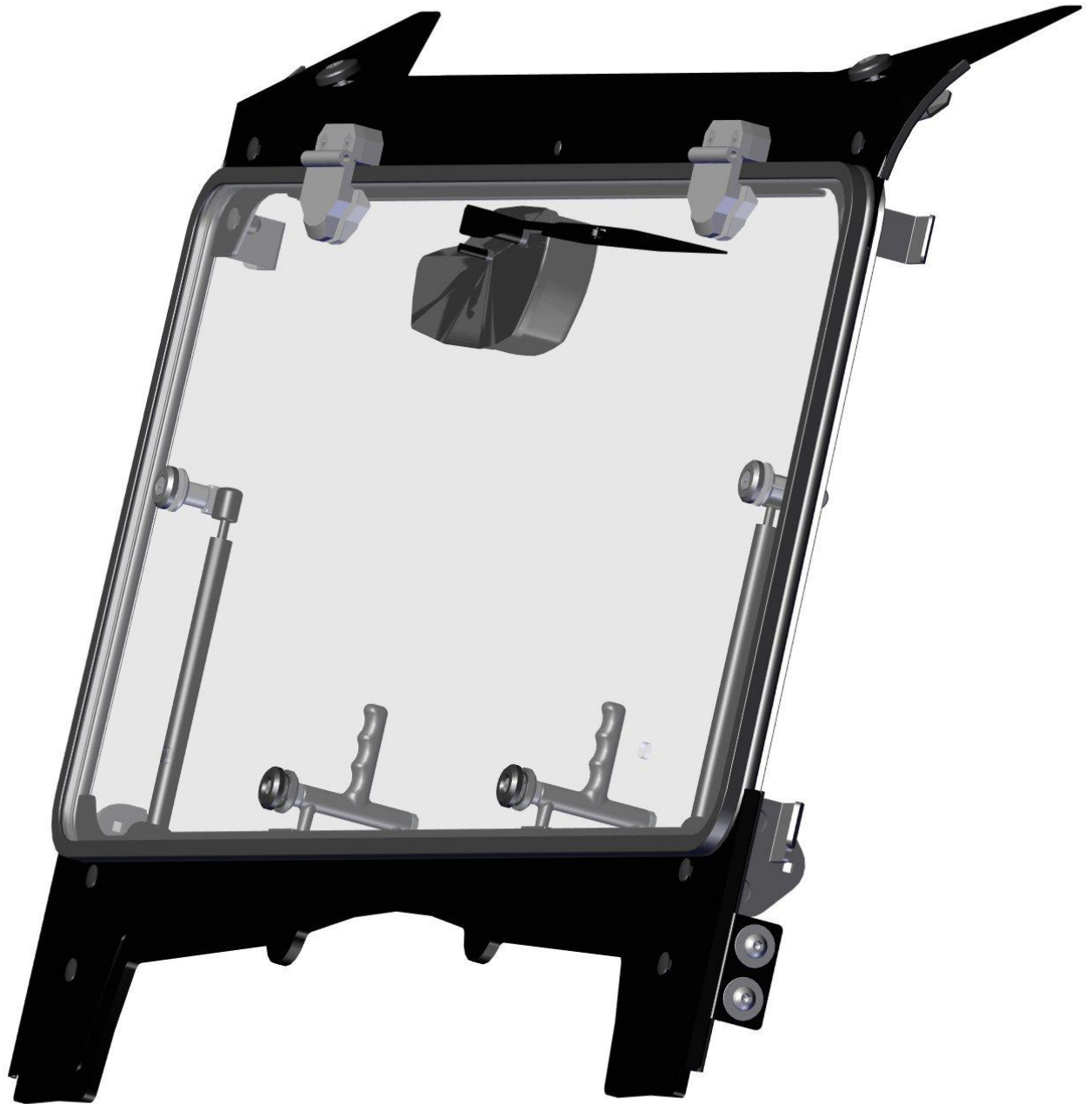
2

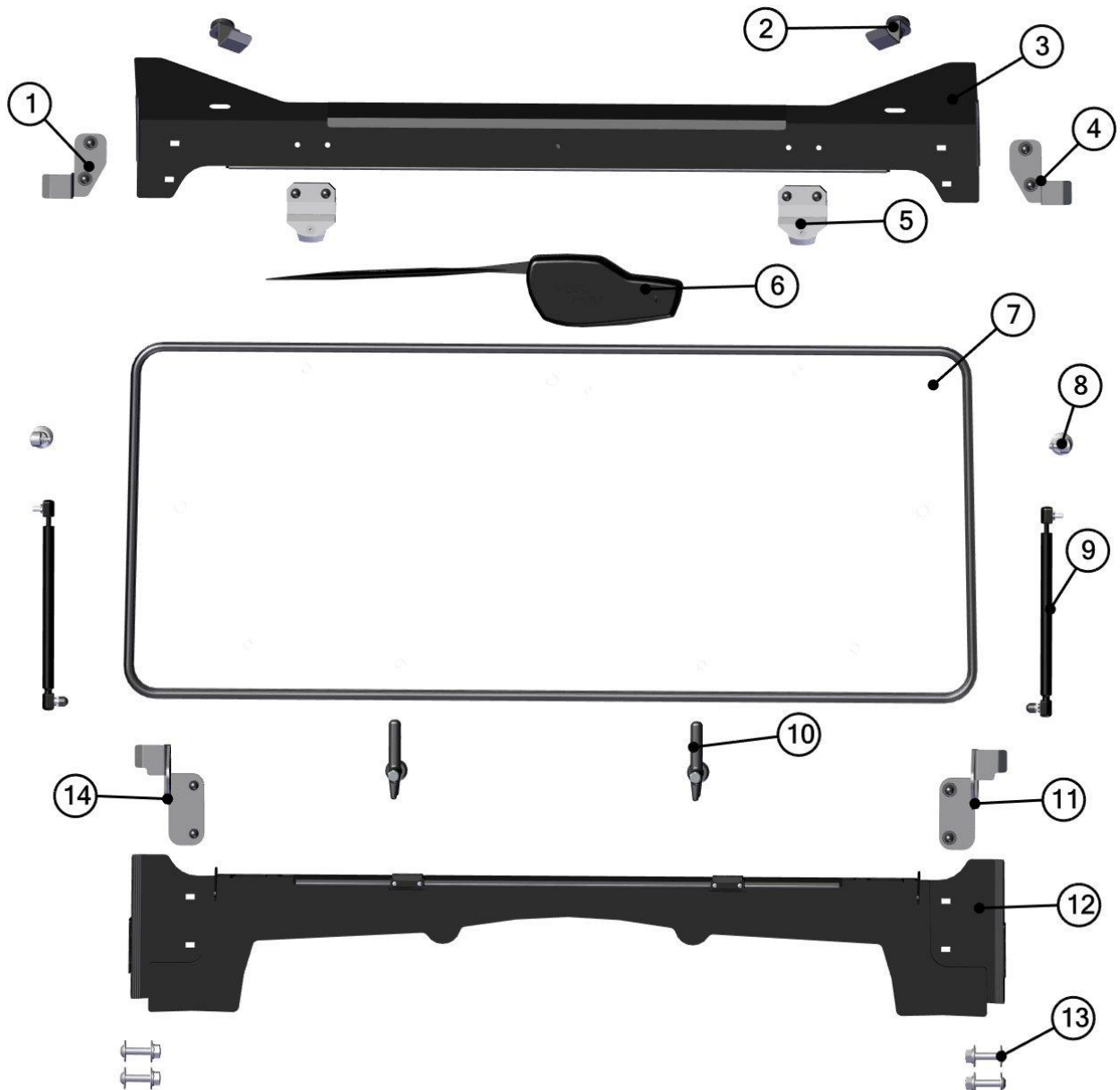


3

| ID | Catalogue no. | Description | Qty |
|----|---------------|-------------|-----|
| 1 | 42S07U01S30 | ROOF PANEL | 1 |
| 2 | 42S07U01S40 | LEFT DOORS | 1 |
| 3 | 42S06U01S10 | FRONT PANEL | 1 |
| 4 | 42S07U01S50 | RIGHT DOORS | 1 |
| 5 | 42S07U01S20 | REAR PANEL | 1 |

FRONT PANEL

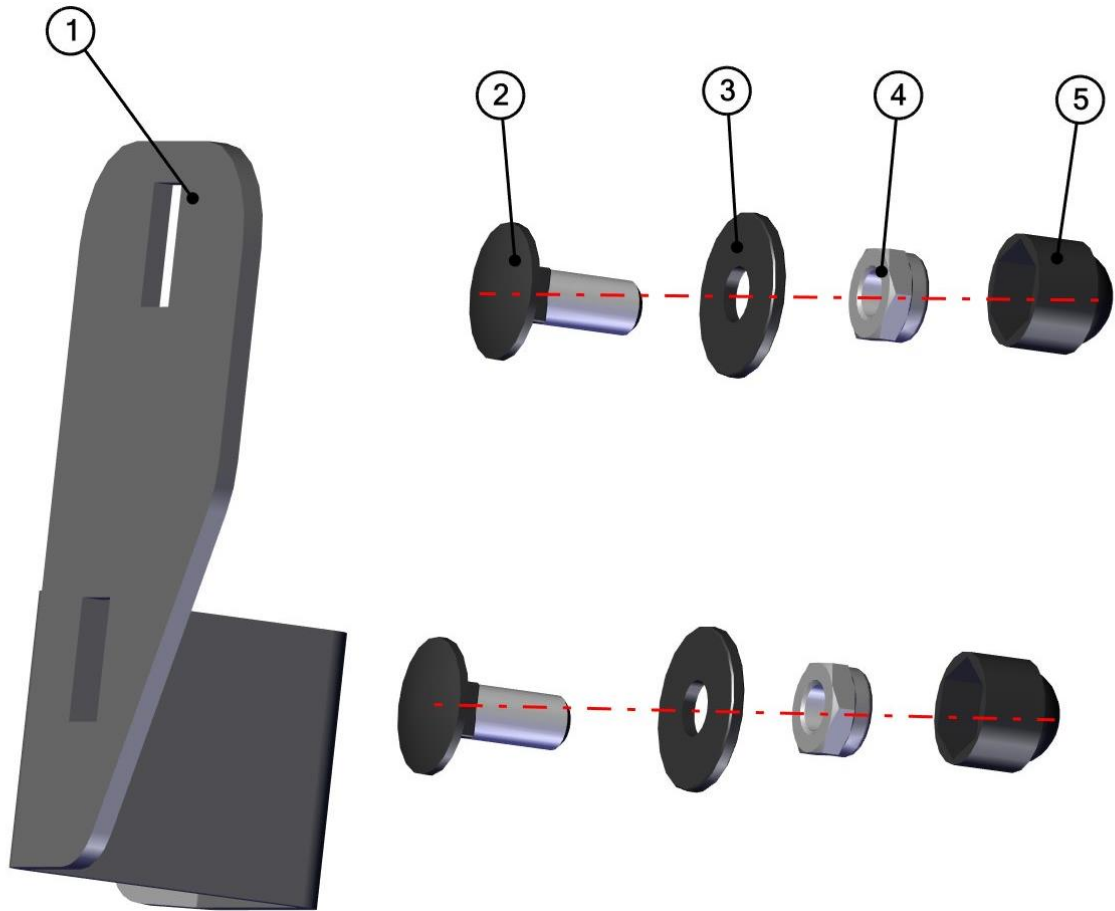




5

| ID | Catalogue no. | Description | Qty |
|----|-----------------|--|-----|
| 1 | 42S06U01-10M017 | LEFT FRONT UPPER LEDGE HOLDER ASSEMBLY | 1 |
| 2 | 42S06U01-10M005 | FRONT UPPER LEDGE HOLDER ASSEMBLY | 2 |
| 3 | 42S06U01-10M018 | FRONT UPPER LEDGE ASSEMBLY | 1 |
| 4 | 42S06U01-10M016 | RIGHT FRONT UPPER LEDGE HOLDER ASSEMBLY | 1 |
| 5 | 00-10M012 | FRONT HINGE ASSEMBLY | 2 |
| 6 | 42S06U01-10M019 | WIPER ASSEMBLY | 1 |
| 7 | 42S06U01-10M006 | FRONT GLASS WITH SEALING | 1 |
| 8 | 00-20M005 | GAS SPRING HOLDER | 2 |
| 9 | 00-10M022 | GAS SPRING | 2 |
| 10 | 00-10M023 | FRONT GLASS LOCK | 2 |
| 11 | 42S06U01-10M004 | RIGHT FRONT BOTTOM LEDGE HOLDER ASSEMBLY | 1 |
| 12 | 42S06U01-10M013 | FRONT BOTTOM LEDGE ASSEMBLY | 1 |
| 13 | 42S06U01-10M008 | ORIGINAL SCREW REPLACEMENT ASSEMBLY | 4 |
| 14 | 42S06U01-10M014 | LEFT FRONT BOTTOM LEDGE HOLDER ASSEMBLY | 1 |

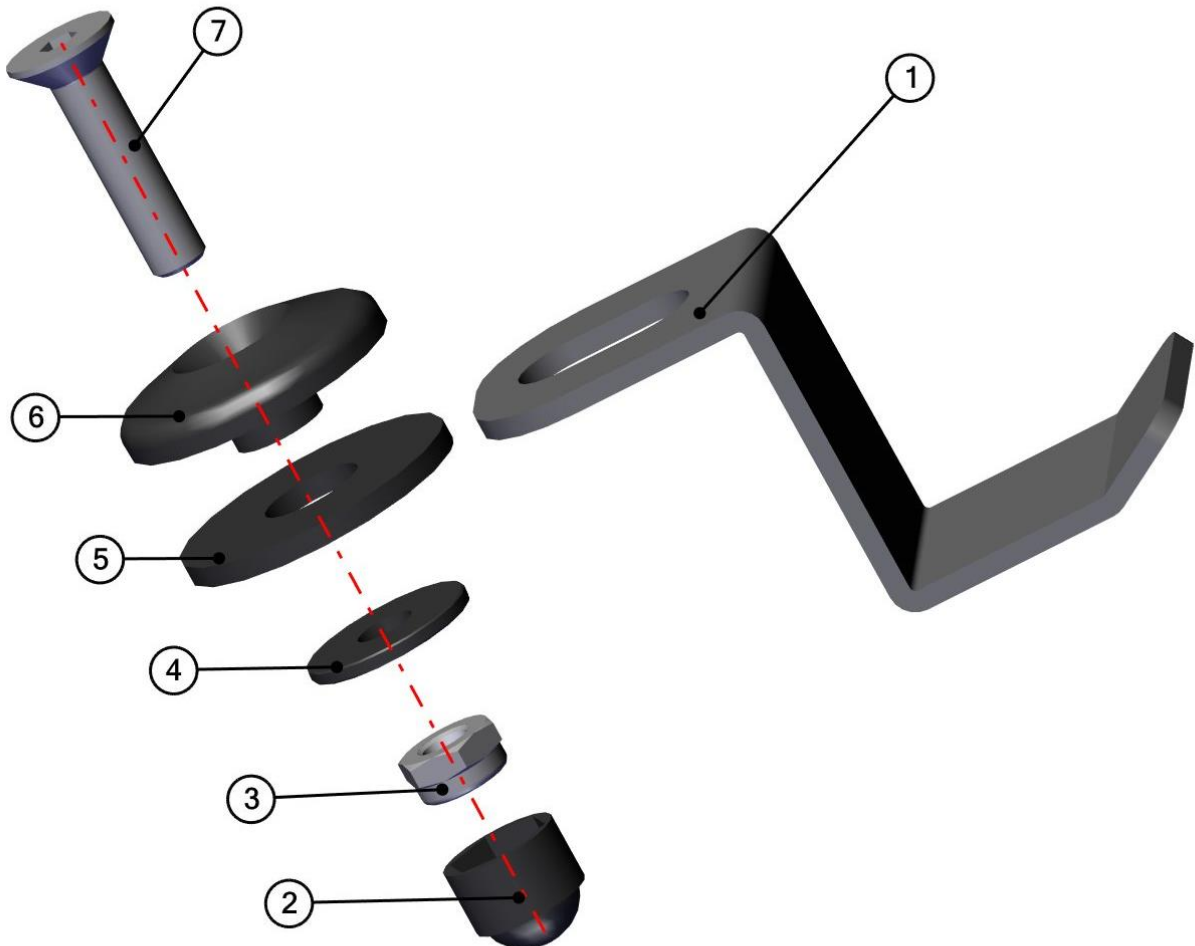
RIGHT FRONT UPPER LEDGE HOLDER ASSEMBLY
42S06U01-10M016



| ID | Catalogue no. | Description | Qty |
|----|-----------------|--------------------------------|-----|
| 1 | 42S06U01-10-011 | RIGHT FRONT UPPER LEDGE HOLDER | 1 |
| 2 | 002575 | SCREW M8x20 | 2 |
| 3 | 003322 | WASHER 8 LARGE | 2 |
| 4 | 001388 | SELF-LOCKING NUT M8 | 2 |
| 5 | 001309 | PLASTIC NUT COVER OK13 | 2 |

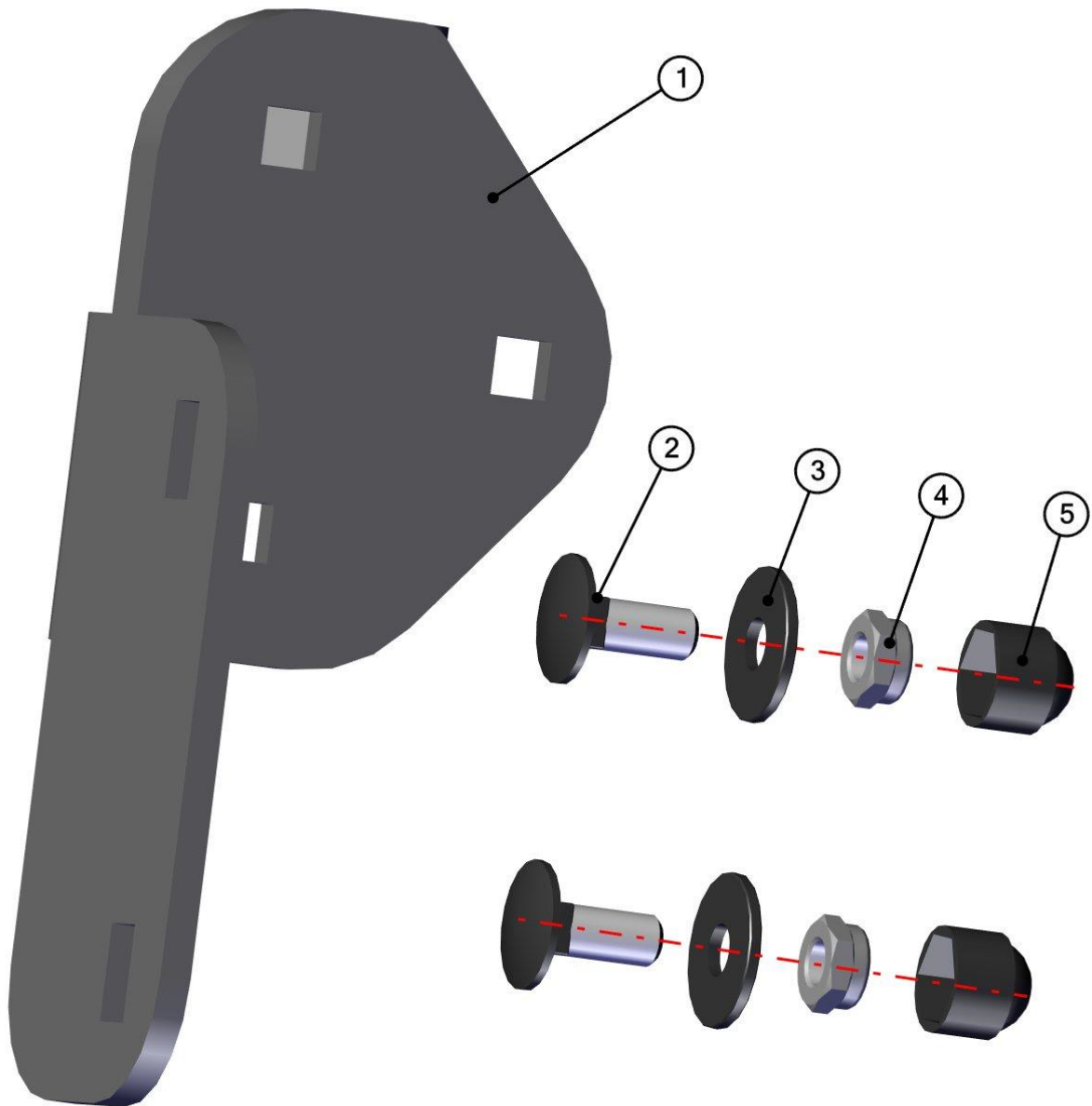
For the left front upper ledge holder just use **42S06U01-10-015**.

FRONT UPPER LEDGE HOLDER ASSEMBLY
42S06U01-10M005



| ID | Catalogue no. | Description | Qty |
|----|-----------------|--------------------------|-----|
| 1 | 42S06U01-10-008 | FRONT UPPER LEDGE HOLDER | 1 |
| 2 | 001309 | PLASTIC NUT COVER OK13 | 1 |
| 3 | 001388 | SELF-LOCKING NUT M8 | 1 |
| 4 | 003322 | WASHER 8 LARGE | 1 |
| 5 | 001428 | RUBBER WASHER | 1 |
| 6 | 001429 | PLASTIC WASHER | 1 |
| 7 | 001760 | SCREW M8x35 | 1 |

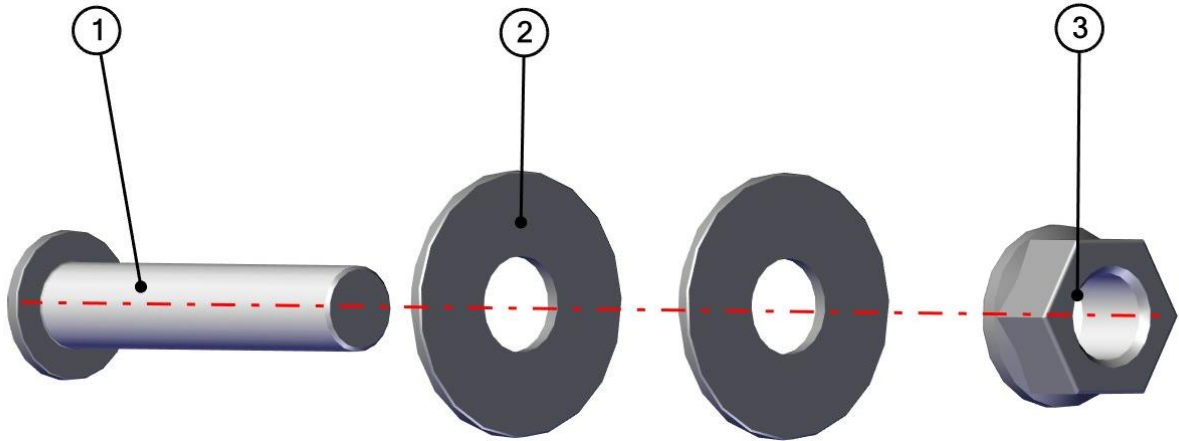
RIGHT FRONT BOTTOM LEDGE HOLDER ASSEMBLY
42S06U01-10M004



| ID | Catalogue no. | Description | Qty |
|----|-----------------|---------------------------------|-----|
| 1 | 42S06U01-10W003 | RIGHT FRONT BOTTOM LEDGE HOLDER | 1 |
| 2 | 002575 | SCREW M8x20 | 2 |
| 3 | 003322 | WASHER 8 LARGE | 2 |
| 4 | 001388 | SELF-LOCKING NUT M8 | 2 |
| 5 | 001309 | PLASTIC NUT COVER OK13 | 2 |

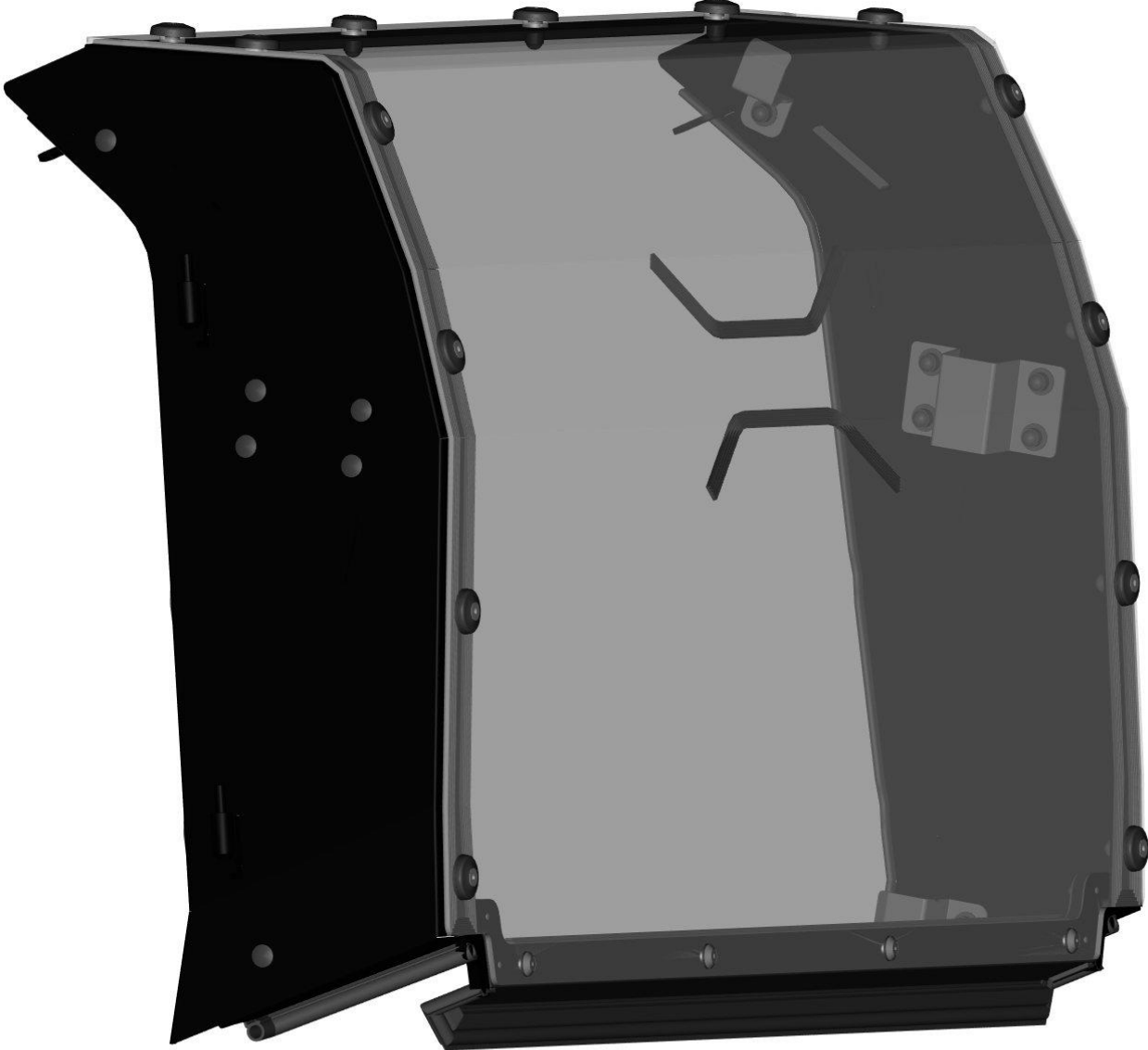
For the left front bottom ledge holder just use **42S06U01-10W004**.

ORIGINAL SCREW REPLACEMENT ASSEMBLY
42S06U01-10M008

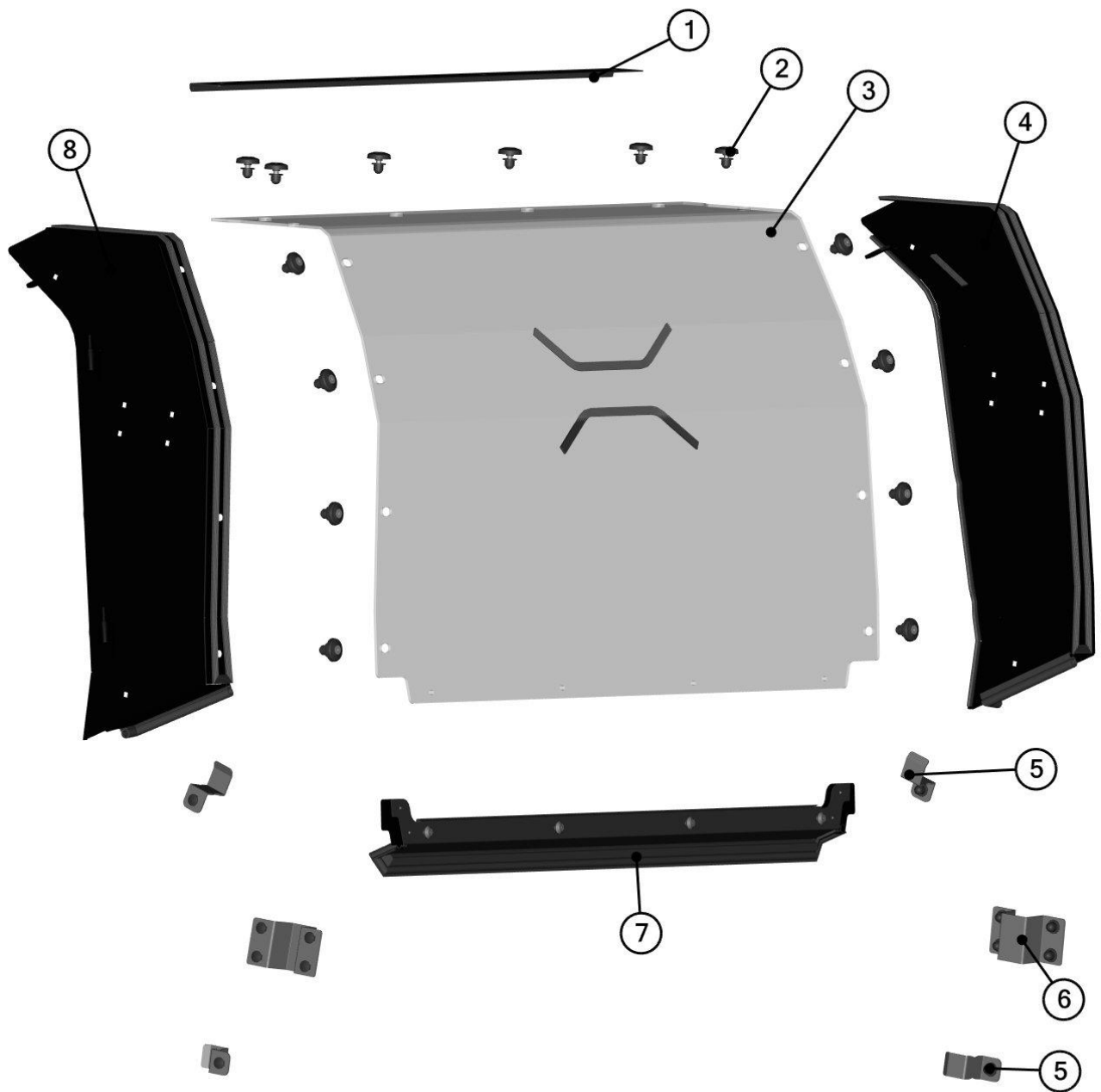


| ID | Catalogue no. | Description | Qty |
|----|---------------|-----------------|-----|
| 1 | 003918 | SCREW M12x60 | 1 |
| 2 | 001590 | WASHER 12 LARGE | 2 |
| 3 | 002036 | NUT M12 | 1 |

REAR PANEL



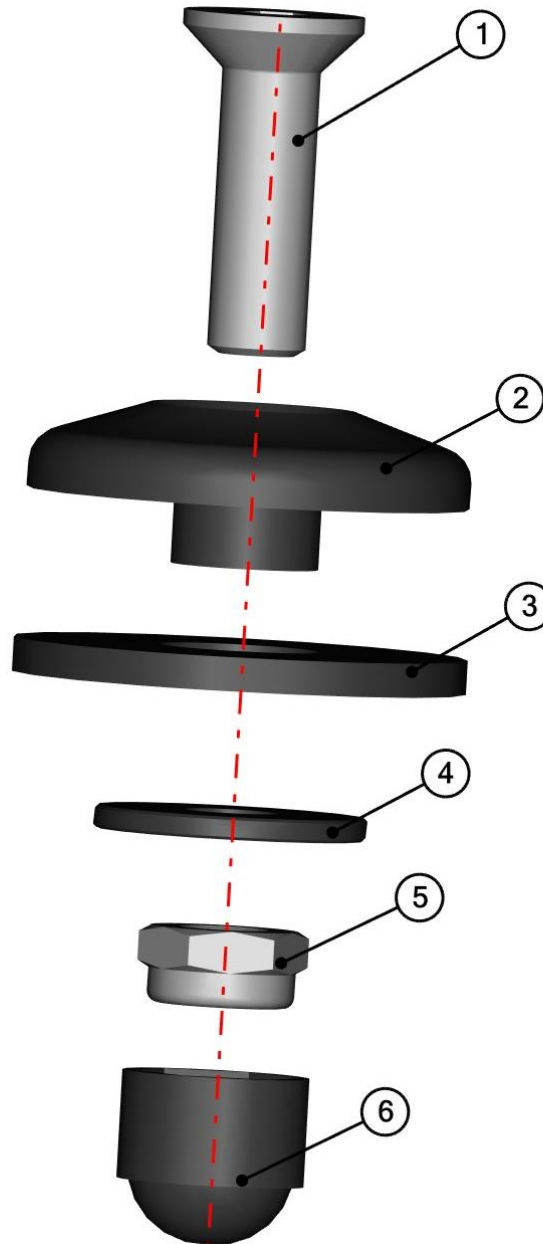
10



11

| ID | Catalogue no. | Description | Qty |
|----|-----------------|------------------------------------|-----|
| 1 | 42S07U01-20M017 | REAR UPPER LEDGE | 1 |
| 2 | 00-117U-M002 | REAR POLYCARBONATE FIXING ASSEMBLY | 14 |
| 3 | 42S07U01-20-001 | REAR POLYCARBONATE | 1 |
| 4 | 42S07U01-20M007 | RIGHT DOOR BASE ASSEMBLY | 1 |
| 5 | 42S07U01-20M012 | DOOR BASE HOLDER ASSEMBLY | 4 |
| 6 | 42S07U01-20M010 | DOOR BASE MIDDLE HOLDER ASSEMBLY | 2 |
| 7 | 42S07U01-20M009 | REAR BOTTOM LEDGE ASSEMBLY | 1 |
| 8 | 42S07U01-20M019 | LEFT DOOR BASE ASSEMBLY | 1 |

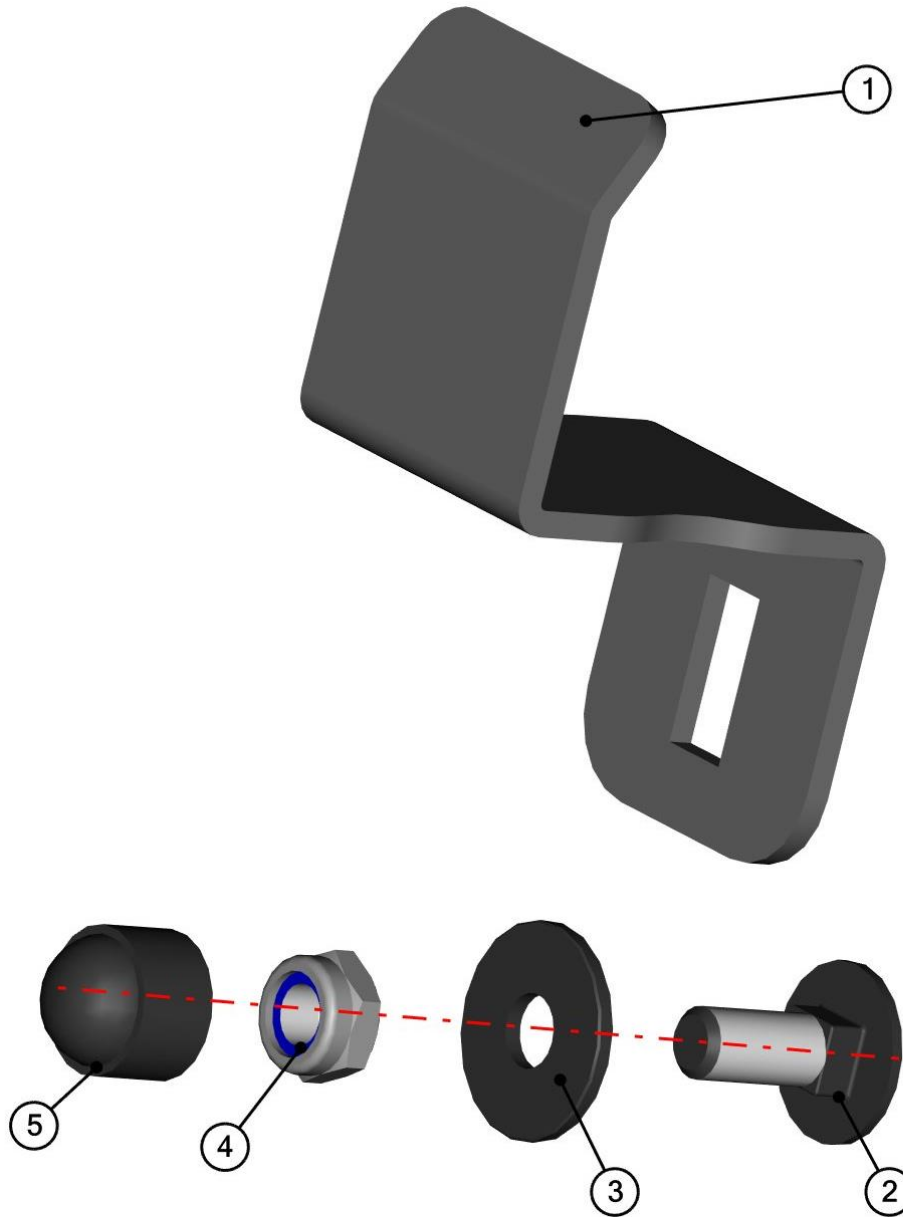
FIXING ASSEMBLY 1
00-117U-M002



12

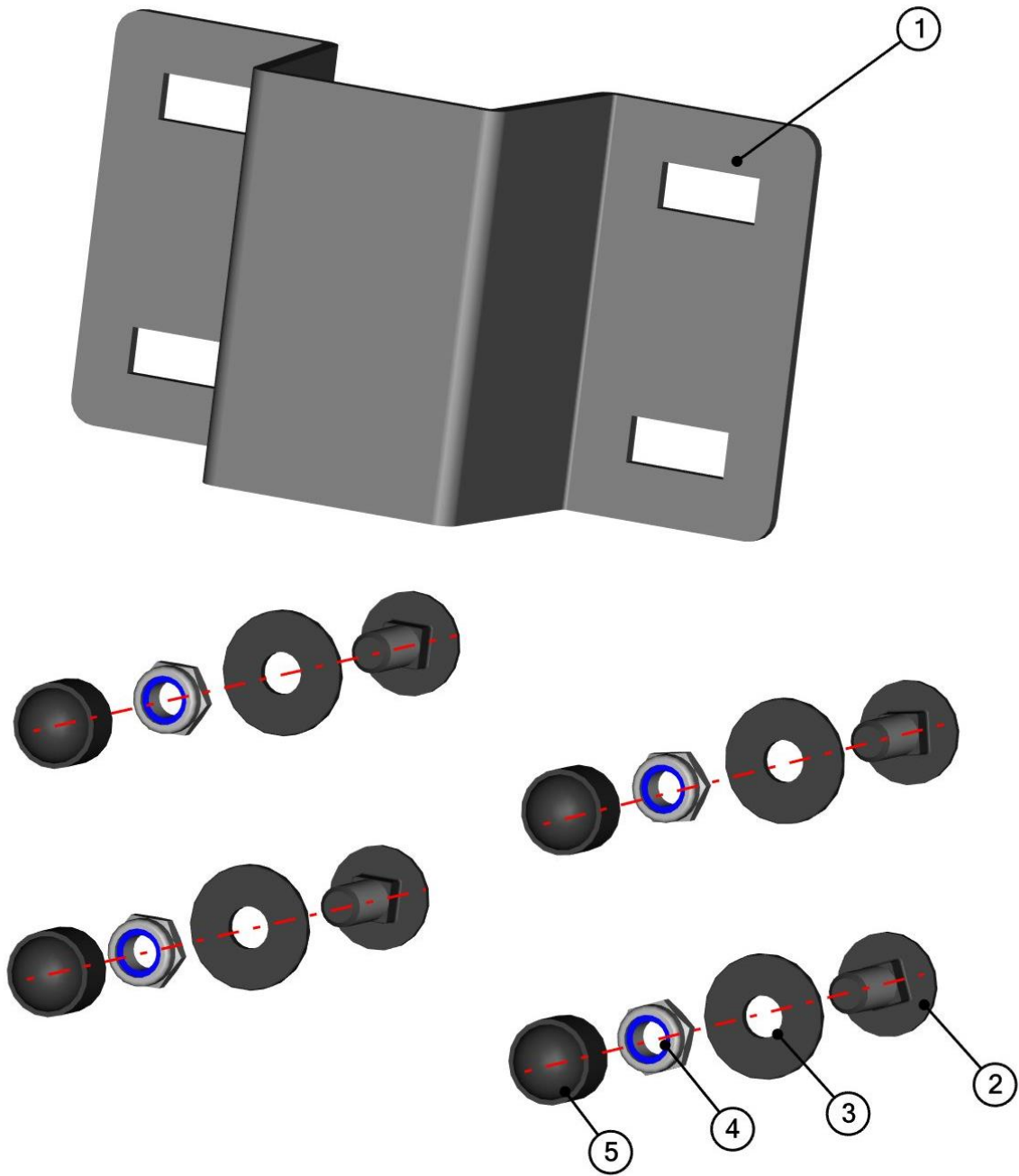
| ID | Catalogue no. | Description | Qty |
|----|---------------|------------------------|-----|
| 1 | 002121 | SCREW M8x30 | 1 |
| 2 | 001429 | PLASTIC WASHER | 1 |
| 3 | 001428 | RUBBER WASHER | 1 |
| 4 | 003322 | WASHER 8 LARGE | 1 |
| 5 | 001388 | SELF-LOCKING NUT M8 | 1 |
| 6 | 001309 | PLASTIC NUT COVER OK13 | 1 |

DOOR BASE HOLDER ASSEMBLY
42S07U01-20M012



| ID | Catalogue no. | Description | Qty |
|----|-----------------|------------------------|-----|
| 1 | 42S07U01-20-012 | REAR DOOR BASE HOLDER | 1 |
| 2 | 002575 | SCREW M8x20 | 1 |
| 3 | 003322 | WASHER 8 LARGE | 1 |
| 4 | 001388 | SELF-LOCKING NUT M8 | 1 |
| 5 | 001309 | PLASTIC NUT COVER OK13 | 1 |

DOOR BASE MIDDLE HOLDER ASSEMBLY
42S07U01-20M010

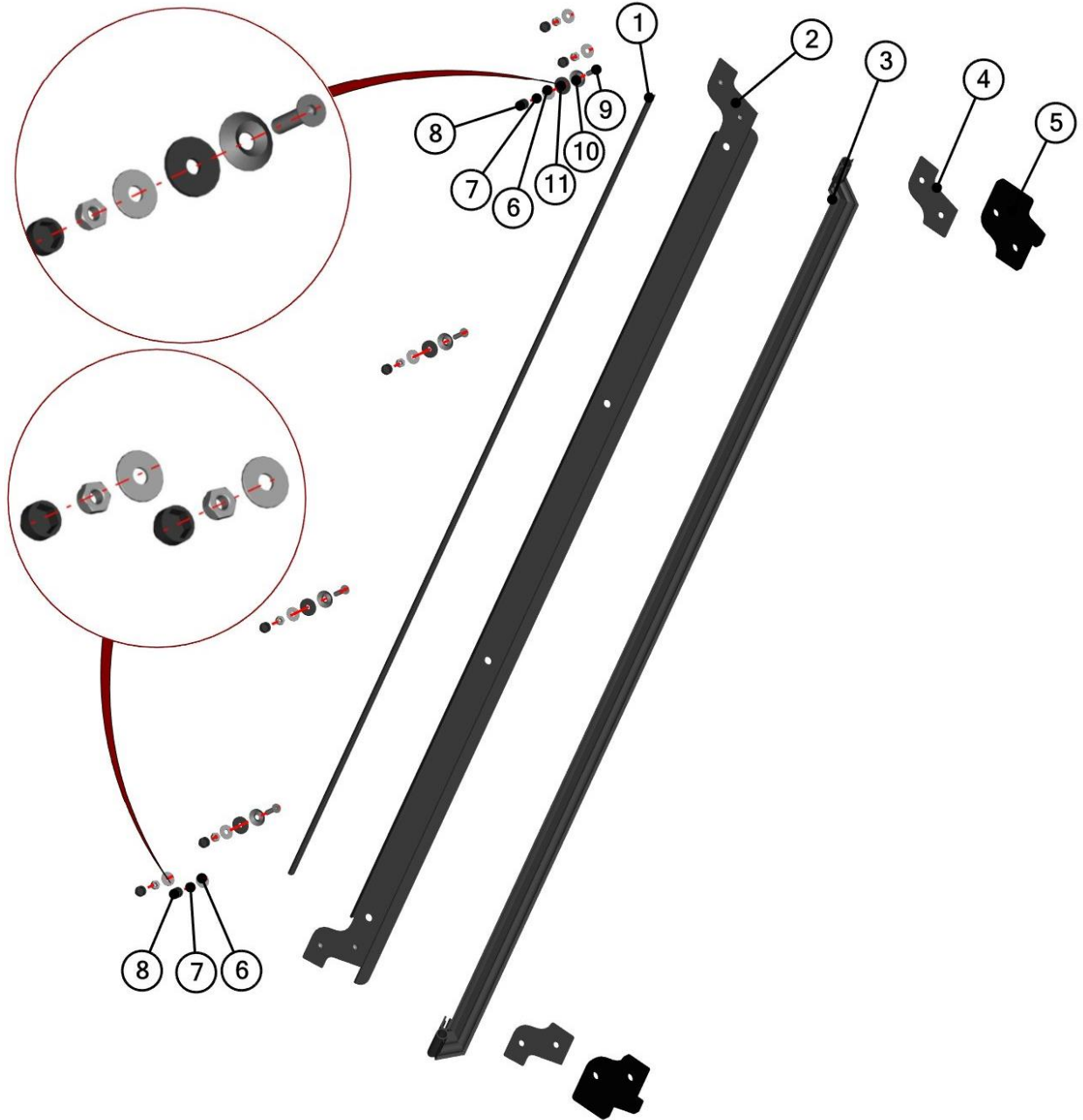


14

| ID | Catalogue no. | Description | Qty |
|----|-----------------|------------------------------|-----|
| 1 | 42S07U01-20-009 | REAR DOOR BASE MIDDLE HOLDER | 1 |
| 2 | 002575 | SCREW M8x20 | 4 |
| 3 | 003322 | WASHER 8 LARGE | 4 |
| 4 | 001388 | SELF-LOCKING NUT M8 | 4 |
| 5 | 001309 | PLASTIC NUT COVER OK13 | 4 |

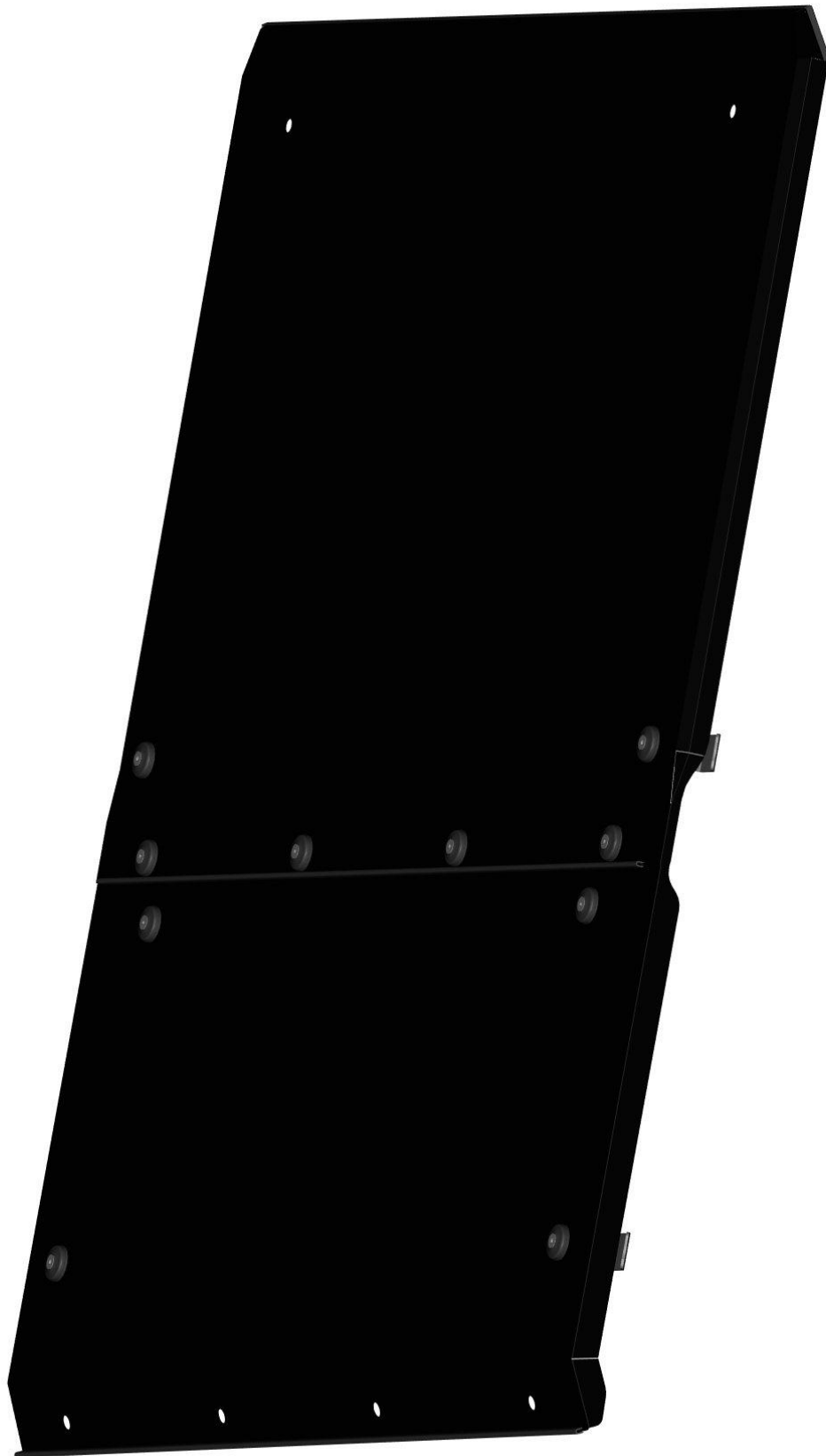
REAR BOTTOM LEDGE ASSEMBLY

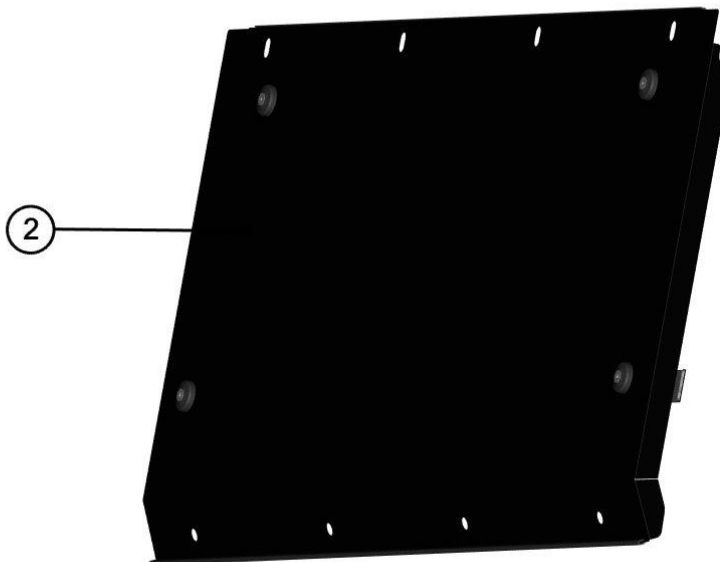
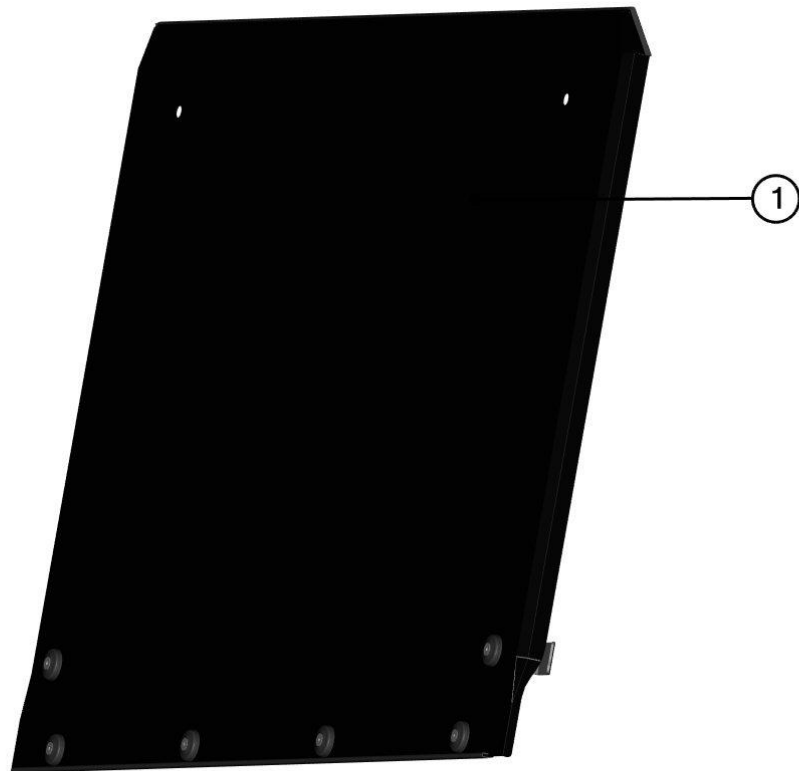
42S07U01-20M019



| ID | Catalogue no. | Description | Qty |
|----|------------------------|----------------------------------|-----|
| 1 | 001001^42S07U01-20M009 | RUBBER PROFILE "LEMOVKA" | 1 |
| 2 | 42S07U01-20W003 | REAR BOTTOM LEDGE WELDED | 1 |
| 3 | 001005^42S07U01-20M009 | RUBBER PROFILE "PIRELA STRAIGHT" | 1 |
| 4 | 42S07U01-20-015 | REAR BOTTOM LEDGE SEALING | 2 |
| 5 | 42S07U01-20-003 | REAR BOTTOM LEDGE SEALING EPDM | 2 |
| 6 | 001337 | WASHER 6 LARGE | 8 |
| 7 | 001392 | SELF-LOCKING NUT M6 | 8 |
| 8 | 001348 | PLASTIC NUT COVER OK 10 | 8 |
| 9 | 002120 | SCREW M6x25 | 4 |
| 10 | 001715 | PLASTIC WASHER | 4 |
| 11 | 001735 | RUBBER WASHER | 4 |

ROOF



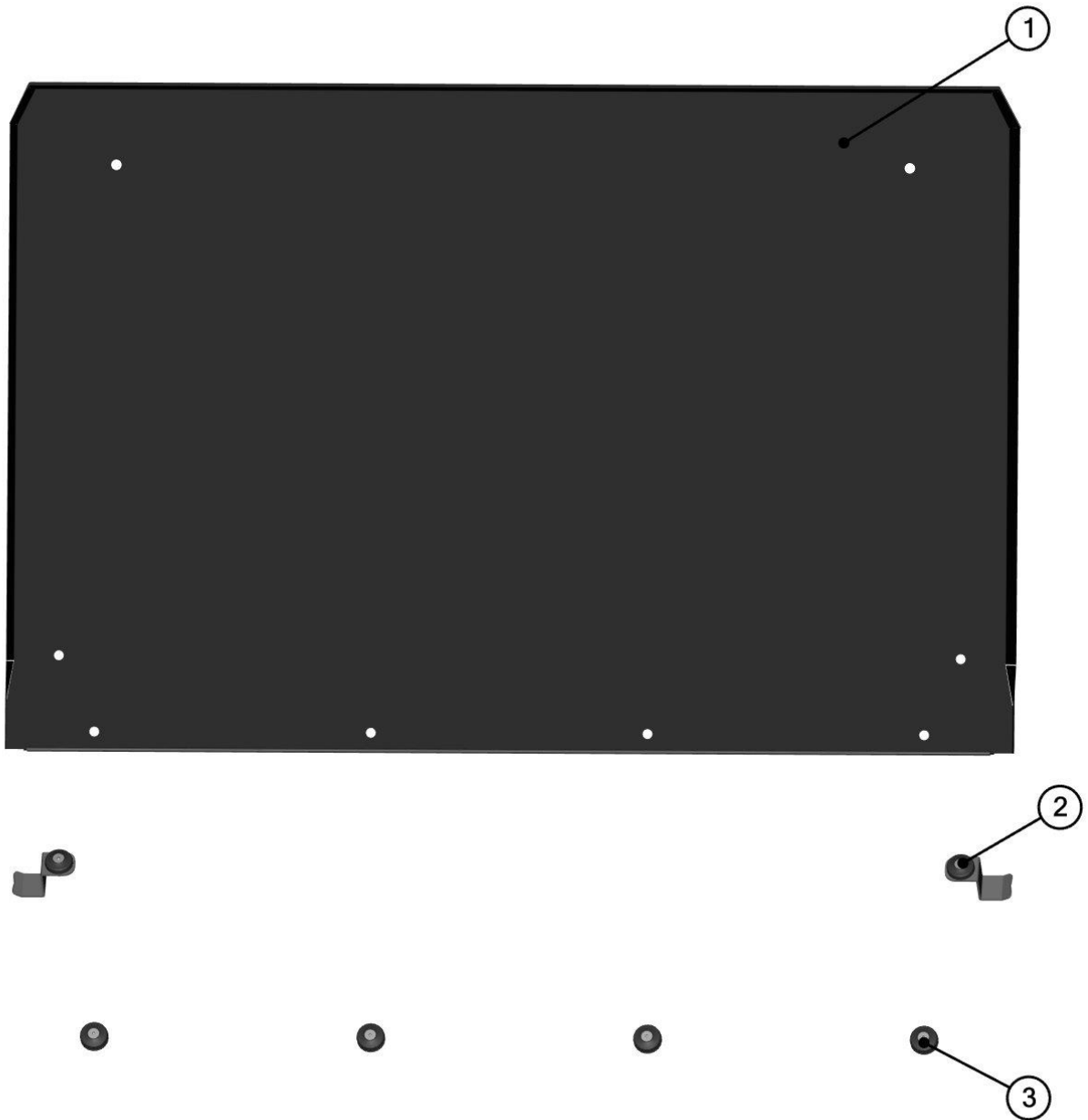


| ID | Catalogue no. | Description | Qty |
|----|-----------------|---------------------|-----|
| 1 | 42S07U01-30M002 | FRONT ROOF ASSEMBLY | 1 |
| 2 | 42S07U01-30M003 | REAR ROOF ASSEMBLY | 1 |

FRONT ROOF



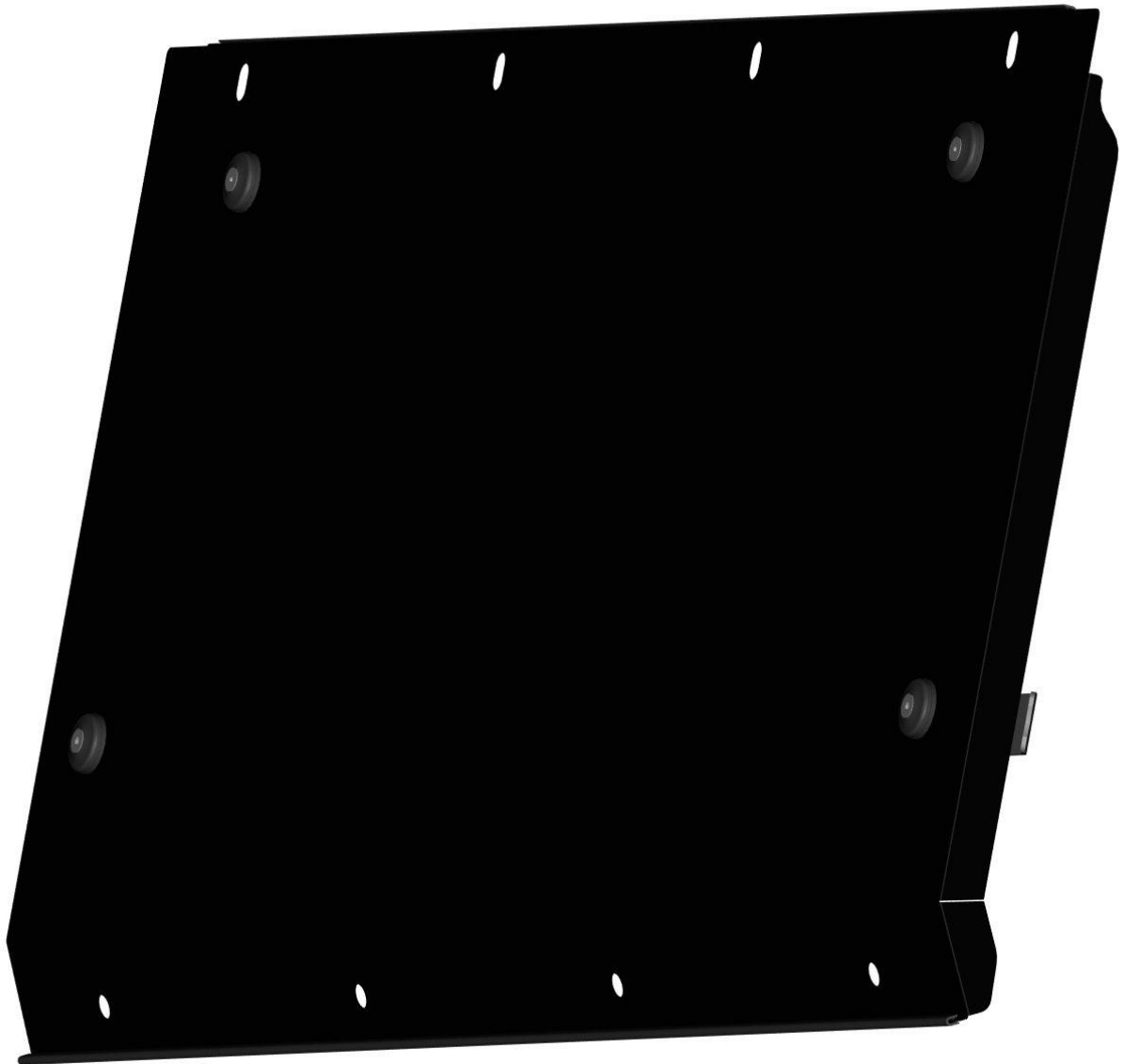
18



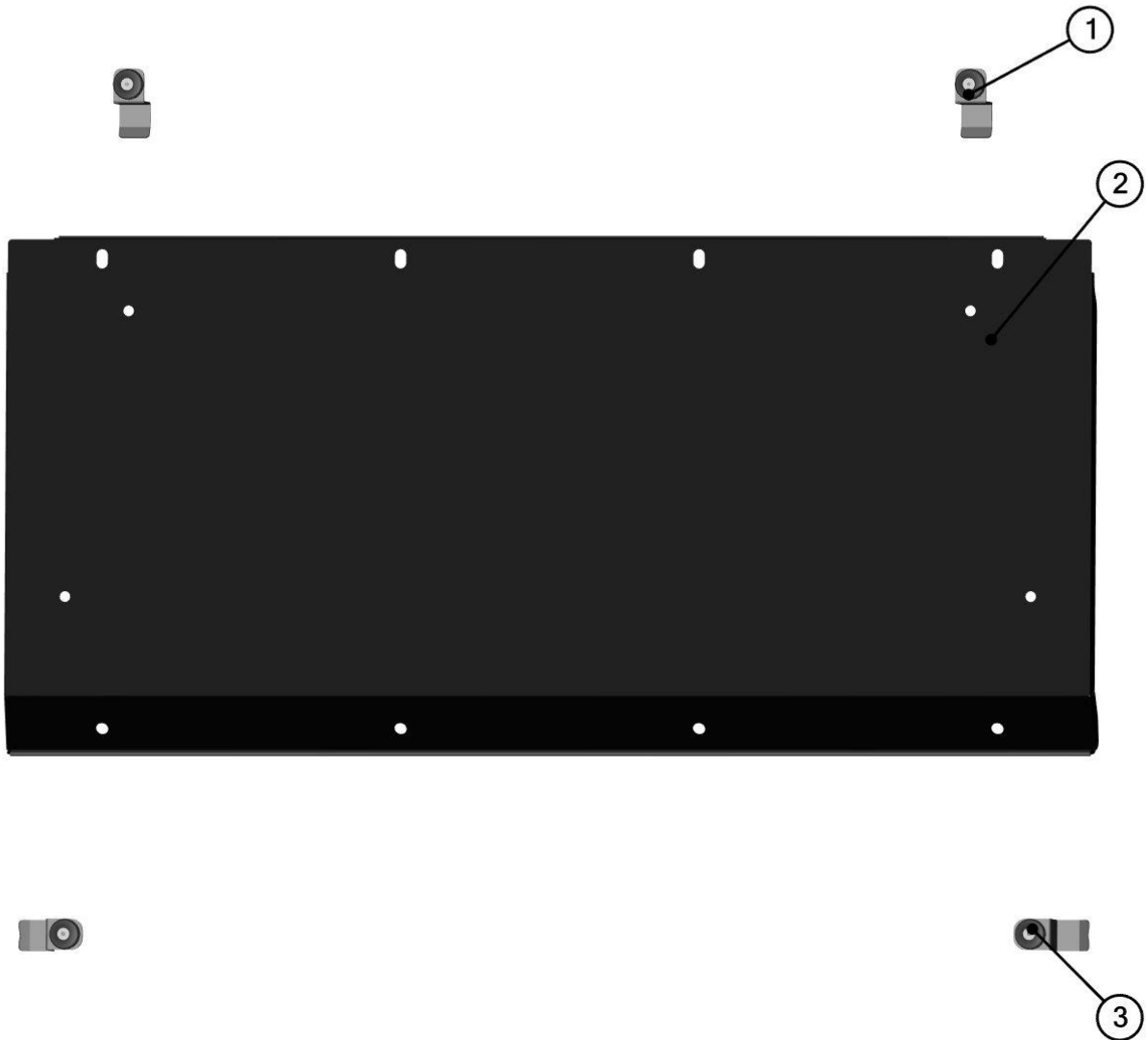
19

| ID | Catalogue no. | Description | Qty |
|----|-----------------|----------------------|-----|
| 1 | 42S07U01-30-003 | FRONT ROOF PANEL | 1 |
| 2 | 42S06U01-30M002 | ROOF HOLDER ASSMEBLY | 2 |
| 3 | 42S07U01-30M001 | ROOF FIXING ASSEMBLY | 4 |

REAR ROOF



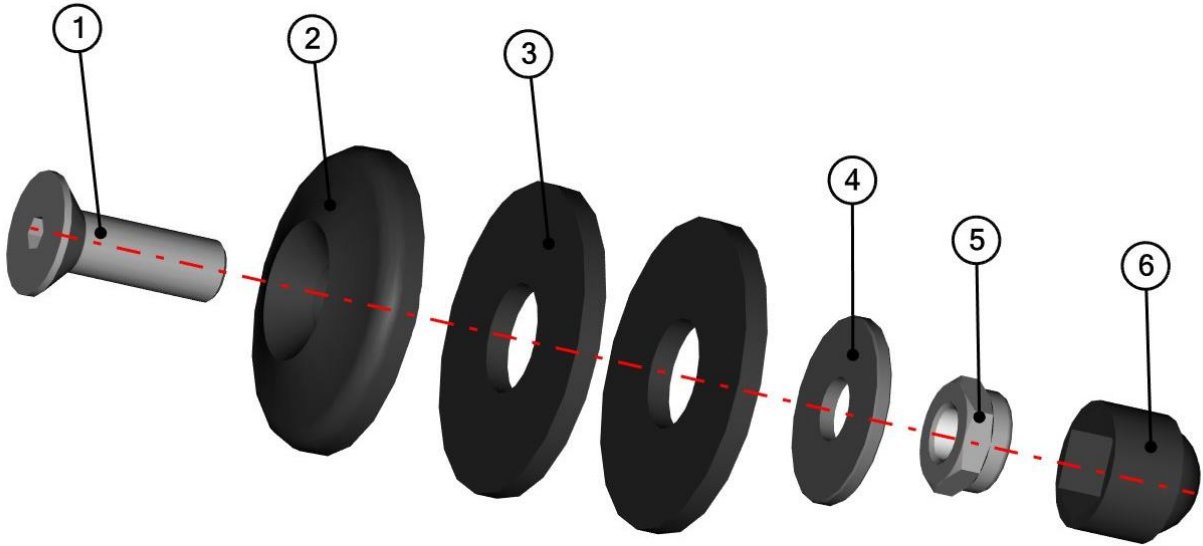
20



21

| ID | Catalogue no. | Description | Qty |
|----|-----------------|---------------------------|-----|
| 1 | 42S07U01-30M004 | REAR ROOF HOLDER ASSEMBLY | 2 |
| 2 | 42S07U01-30W001 | REAR ROOF PANEL WELDED | 1 |
| 3 | 42S06U01-30M002 | ROOF HOLDER ASSEMBLY | 2 |

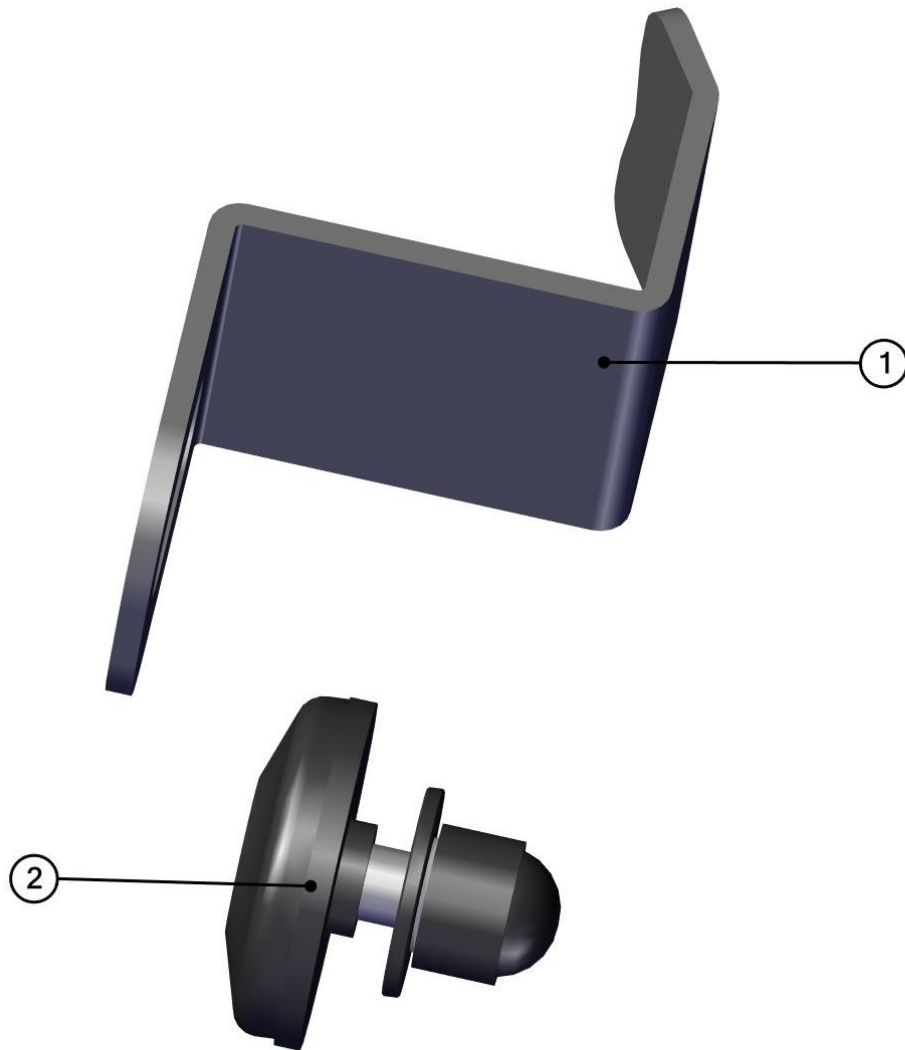
ROOF FIXING ASSEMBLY
42S07U01-30M001



22

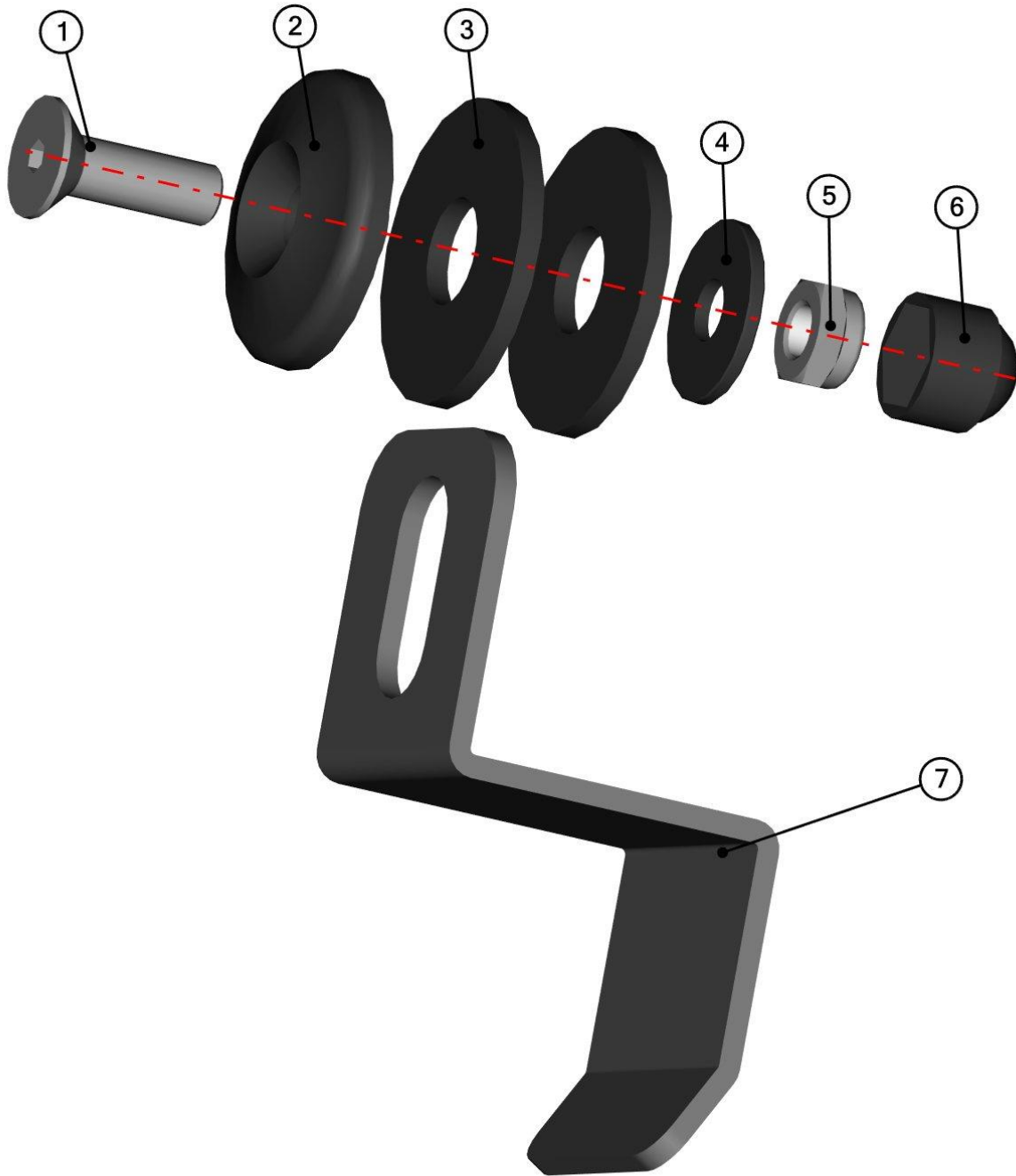
| ID | Catalogue no. | Description | Qty |
|----|---------------|-------------------------|-----|
| 1 | 001695 | SCREW M8x25 | 1 |
| 2 | 001429 | PLASTIC WASHER | 1 |
| 3 | 001428 | RUBBER WASHER | 2 |
| 4 | 003322 | WASHER 8 LARGE | 1 |
| 5 | 001388 | SELF-LOCKING NUT M8 | 1 |
| 6 | 001309 | PLASTIC NUT COVER OK 13 | 1 |

ROOF HOLDER ASSEMBLY
42S06U01-30M002



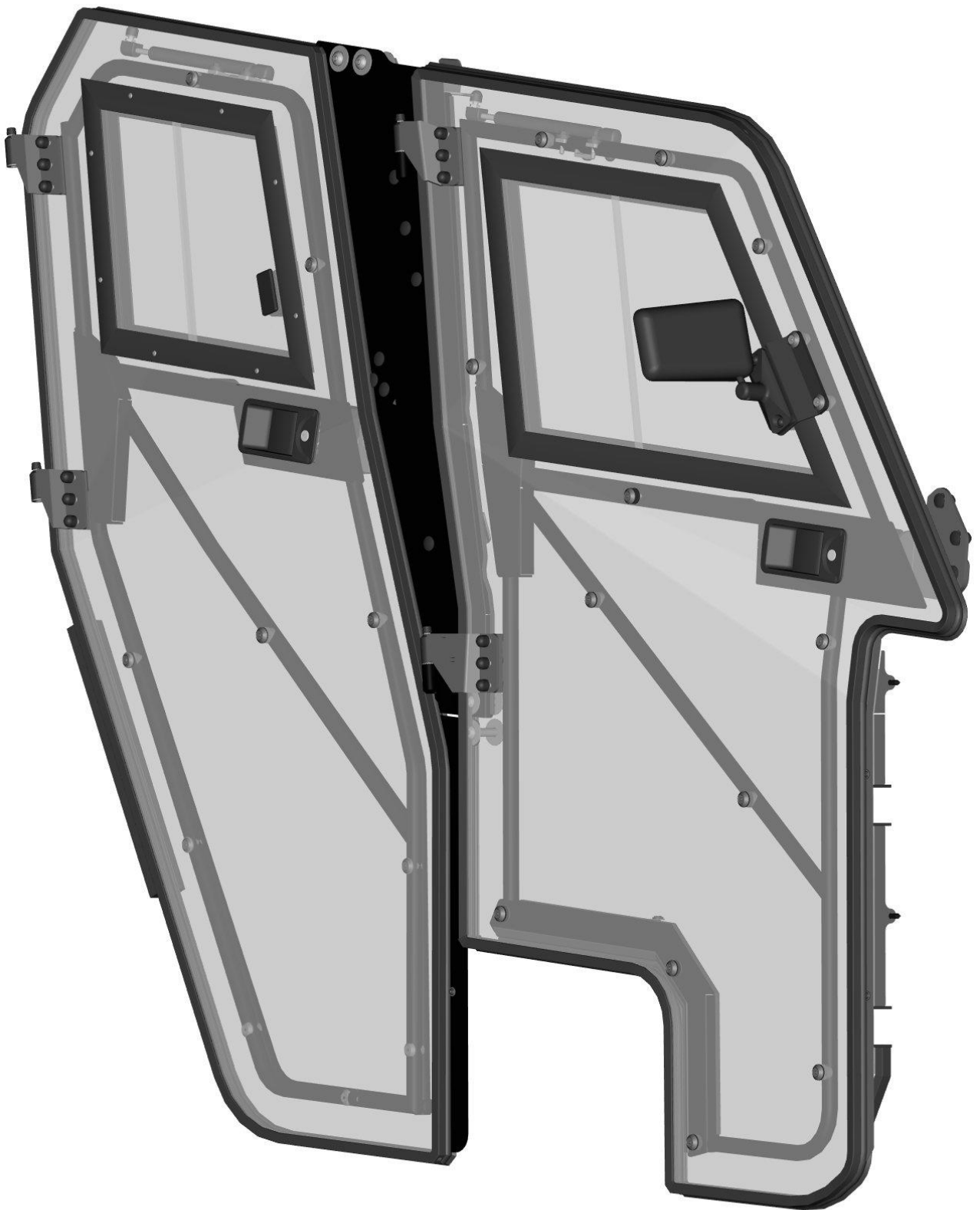
| ID | Catalogue no. | Description | Qty |
|----|-----------------|-------------------|-----|
| 1 | 42S06U01-30-002 | ROOF HOLDER | 1 |
| 2 | 00-117U-M002 | FIXING ASSEMBLY 1 | 1 |

REAR ROOF HOLDER ASSEMBLY
42S07U01-30M004

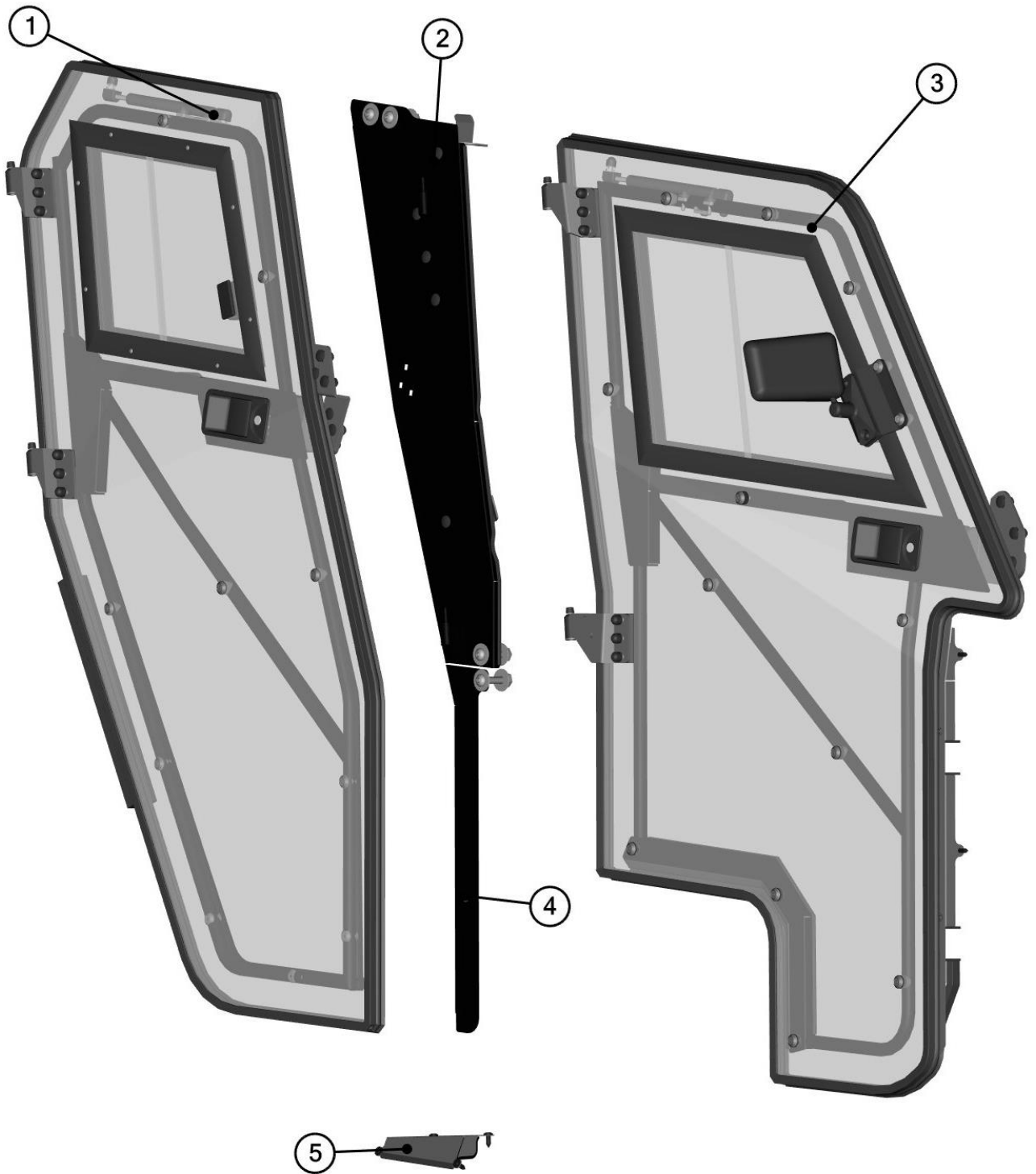


| ID | Catalogue no. | Description | Qty |
|----|-----------------|-------------------------|-----|
| 1 | 001695 | SCREW M8x25 | 1 |
| 2 | 001429 | PLASTIC WASHER | 1 |
| 3 | 001428 | RUBBER WASHER | 2 |
| 4 | 003322 | WASHER 8 LARGE | 1 |
| 5 | 001388 | SELF-LOCKING NUT M8 | 1 |
| 6 | 001309 | PLASTIC NUT COVER OK 13 | 1 |
| 7 | 42S07U01-30-005 | REAR ROOF HOLDER | 1 |

RIGHT+LEFT DOOR



25



26

SEE NEXT PAGE

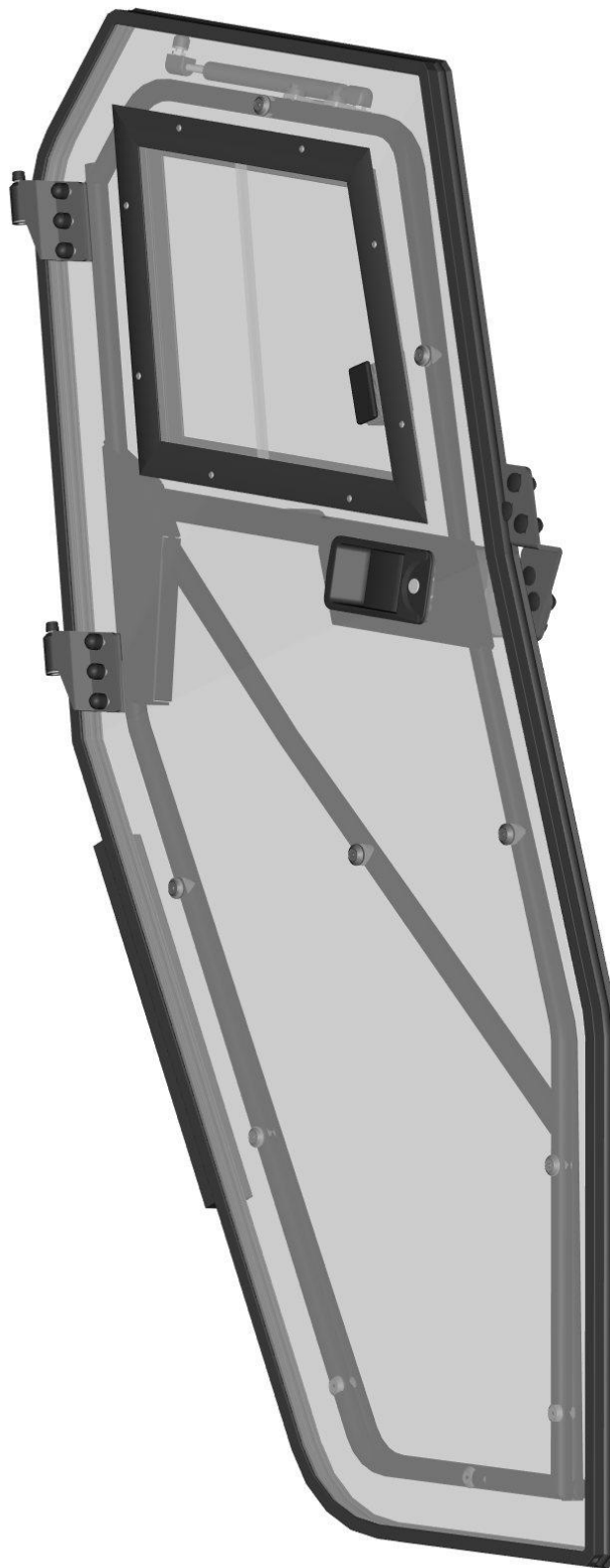
RIGHT TABLE

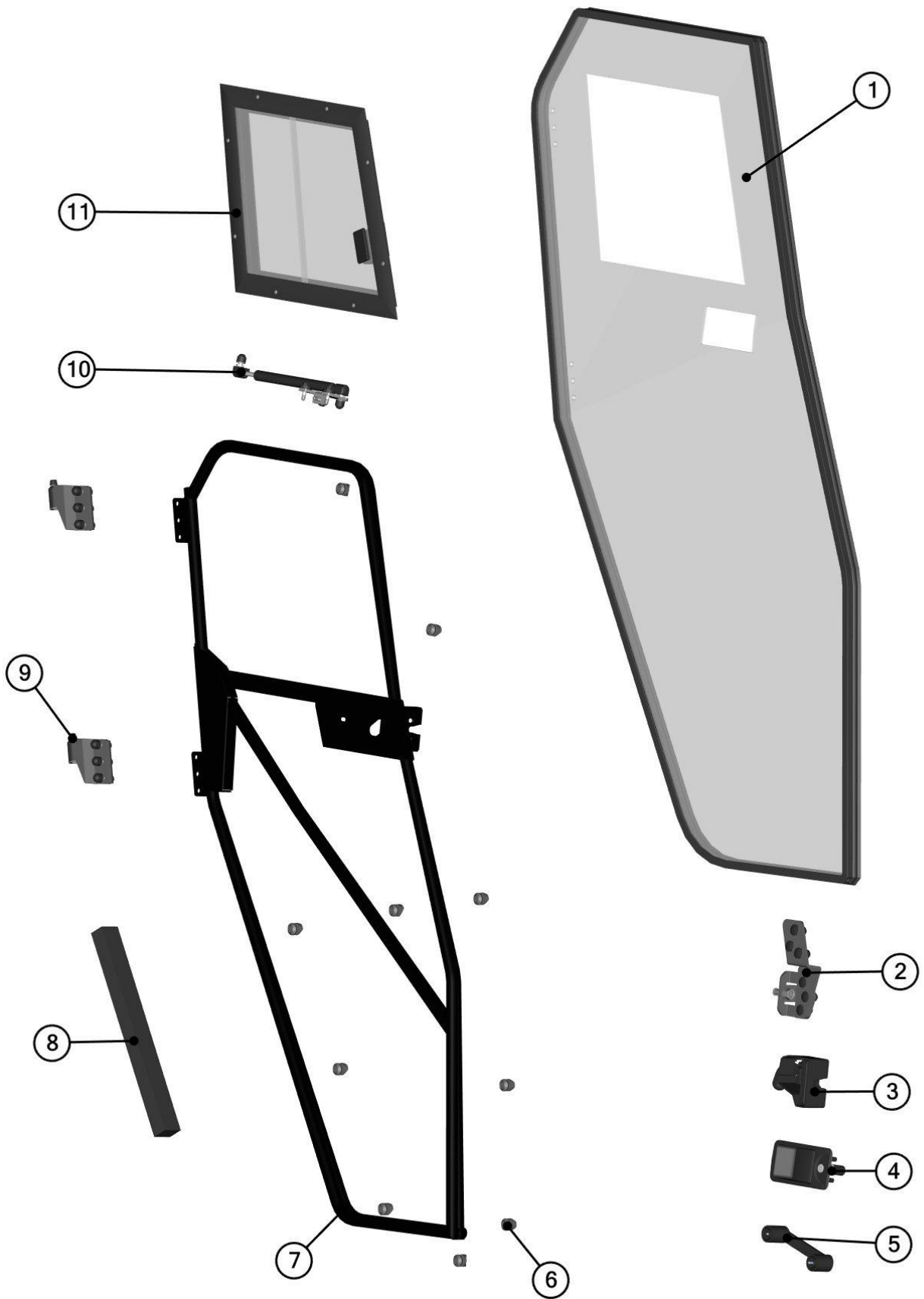
| ID | Catalogue no. | Description | Qty |
|----|-----------------|-------------------------------------|-----|
| 1 | 42S07U01-50M001 | RIGHT REAR DOOR ASSEMBLY | 1 |
| 2 | 42S07U01-50M005 | RIGHT FRONT DOOR BASE ASSEMBLY | 1 |
| 3 | 42S06U01S50 | RIGHT FRONT DOOR ASSEMBLY | 1 |
| 4 | 42S07U01-50M007 | RIGHT FRONT DOOR BASE SEALING LEDGE | 1 |
| 5 | 42S06U01-50M004 | GAS TANK COVER ASSEMBLY | 1 |

LEFT TABLE

| ID | Catalogue no. | Description | Qty |
|----|-----------------|------------------------------------|-----|
| 1 | 42S07U01-40M001 | LEFT REAR DOOR ASSEMBLY | 1 |
| 2 | 42S07U01-40M005 | LEFT FRONT DOOR BASE ASSEMBLY | 1 |
| 3 | 42S06U01S40 | LEFT FRONT DOOR ASSEMBLY | 1 |
| 4 | 42S07U01-40M007 | LEFT FRONT DOOR BASE SEALING LEDGE | 1 |

RIGHT+LEFT REAR DOOR





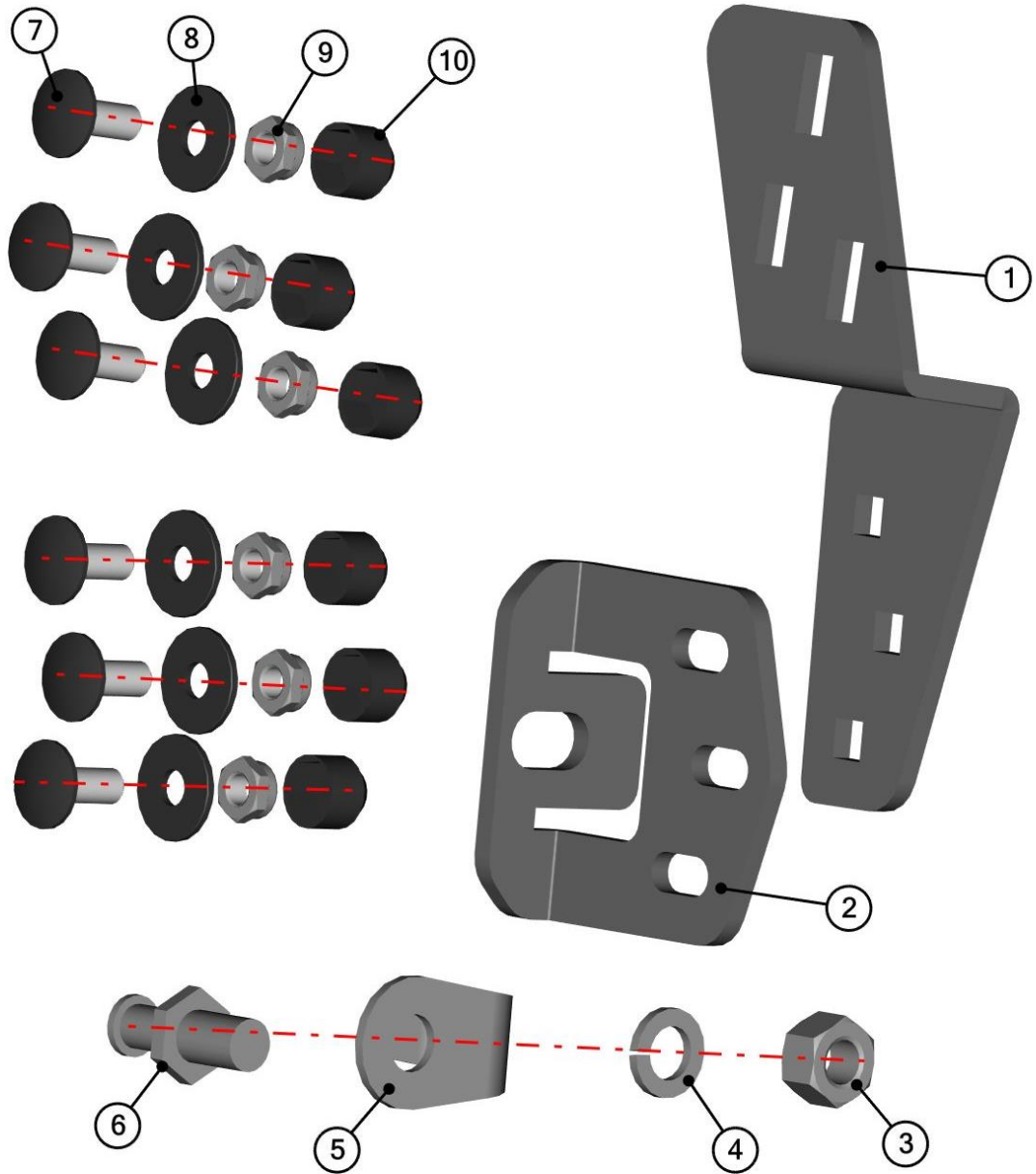
RIGHT TABLE

| ID | Catalogue no. | Description | Qty |
|----|-----------------|--|-----|
| 1 | 42S07U01-50M010 | RIGHT REAR DOOR POLYCARBONATE WITH SEALING | 1 |
| 2 | 42S07U01-50M003 | RIGHT REAR DOOR STOP ASSEMBLY | 1 |
| 3 | 00-50M019 | RIGHT INNER DOOR LOCK | 1 |
| 4 | 000841 | OUTER DOOR LOCK | 1 |
| 5 | 00-40M018 | DOOR HANDLE | 1 |
| 6 | 00-00M019 | POLYCARBONATE FIXING ASSEMBLY | 10 |
| 7 | 42S07U01-50W001 | RIGHT REAR DOOR FRAME WELDED | 1 |
| 8 | 42S07U01-50-023 | REAR DOOR SEALING | 1 |
| 9 | 42S07U01-50M009 | RIGHT REAR DOOR HINGE ASSEMBLY | 2 |
| 10 | 42S07U01-50M011 | REAR DOOR GAS SPRING ASSEMBLY | 1 |
| 11 | 42S07U01-50M002 | RIGHT REAR DOOR WINDOW | 1 |

LEFT TABLE

| ID | Catalogue no. | Description | Qty |
|----|-----------------|---|-----|
| 1 | 42S07U01-40M010 | LEFT REAR DOOR POLYCARBONATE WITH SEALING | 1 |
| 2 | 42S07U01-40M003 | LEFT REAR DOOR STOP HOLDER ASSEMBLY | 1 |
| 3 | 00-40M019 | LEFT INNER DOOR LOCK | 1 |
| 4 | 000841 | OUTER DOOR LOCK | 1 |
| 5 | 00-40M018 | DOOR HANDLE | 1 |
| 6 | 00-00M019 | POLYCARBONATE FIXING ASSEMBLY | 10 |
| 7 | 42S07U01-40W001 | LEFT REAR DOOR FRAME WELDED | 1 |
| 8 | 42S07U01-50-023 | REAR DOOR SEALING | 1 |
| 9 | 42S07U01-40M009 | LEFT REAR DOOR HINGE ASSEMBLY | 2 |
| 10 | 42S07U01-50M011 | REAR DOOR GAS SPRING ASSEMBLY | 1 |
| 11 | 42S07U01-40M002 | LEFT REAR DOOR WINDOW | 1 |

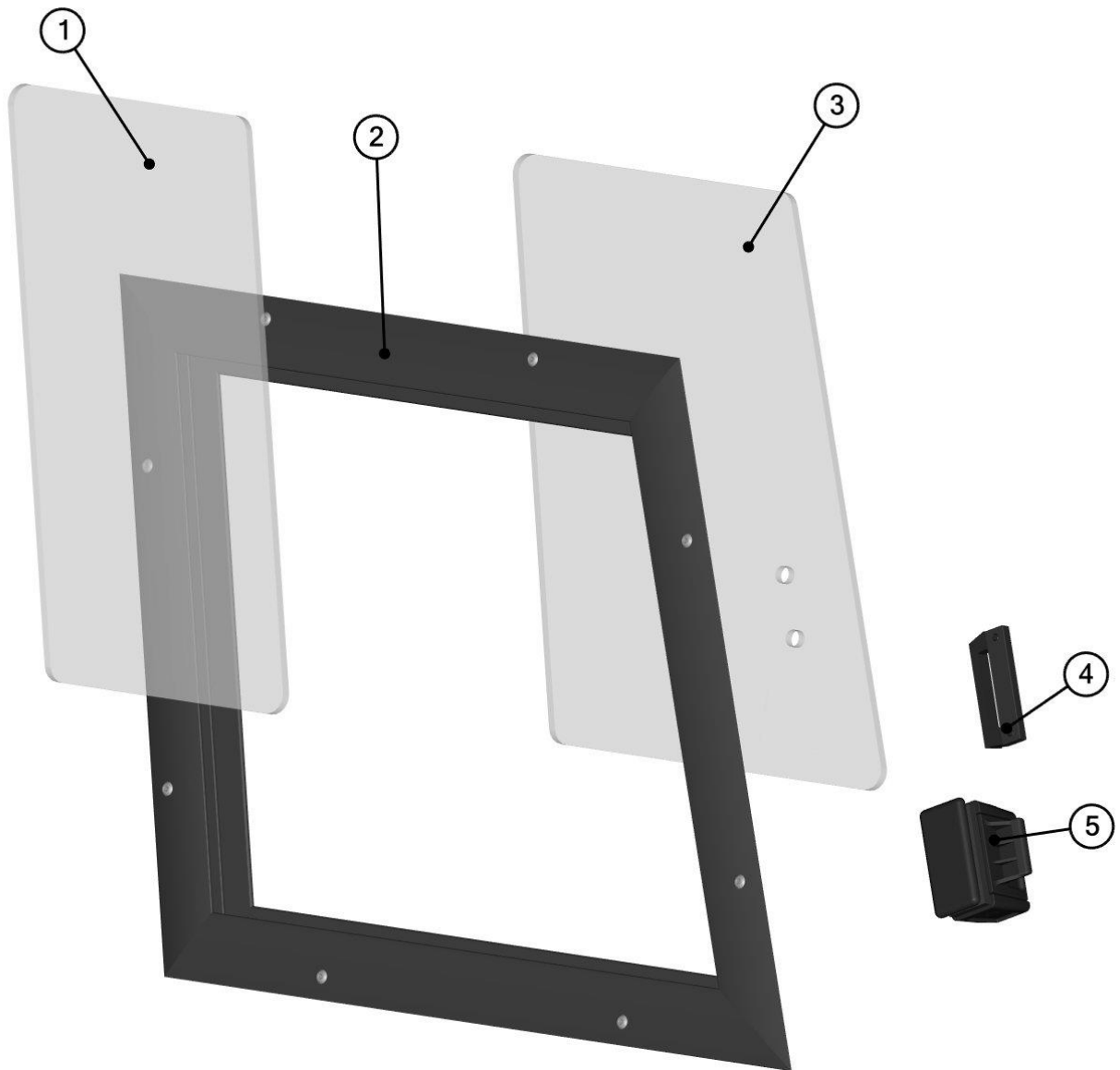
RIGHT REAR DOOR STOP ASSEMBLY
42S07U01-50M003



| ID | Catalogue no. | Description | Qty |
|----|-----------------|-------------------------------|-----|
| 1 | 42S07U01-50-014 | RIGHT REAR DOOR STOP HOLDER 1 | 1 |
| 2 | 42S07U01-50-013 | RIGHT REAR DOOR STOP HOLDER 2 | 1 |
| 3 | 000856 | DOOR STOP NUT | 1 |
| 4 | 000857 | DOOR STOP WASHER | 1 |
| 5 | 000855 | DOOR STOP HOOK | 1 |
| 6 | 000854 | DOOR STOP PIN | 1 |
| 7 | 002575 | SCREW M8x20 | 6 |
| 8 | 003322 | WASHER 8 LARGE | 6 |
| 9 | 001388 | SELF-LOCKING NUT M8 | 6 |
| 10 | 001309 | PLASTIC NUT COVER OK 13 | 6 |

For the LEFT REAR DOOR STOP HOLDER 1 just use **42S07U01-40-014**.
For the LEFT REAR DOOR STOP HOLDER 2 just use **42S07U01-40-013**.

RIGHT REAR DOOR WINDOW
42S07U01-50M002

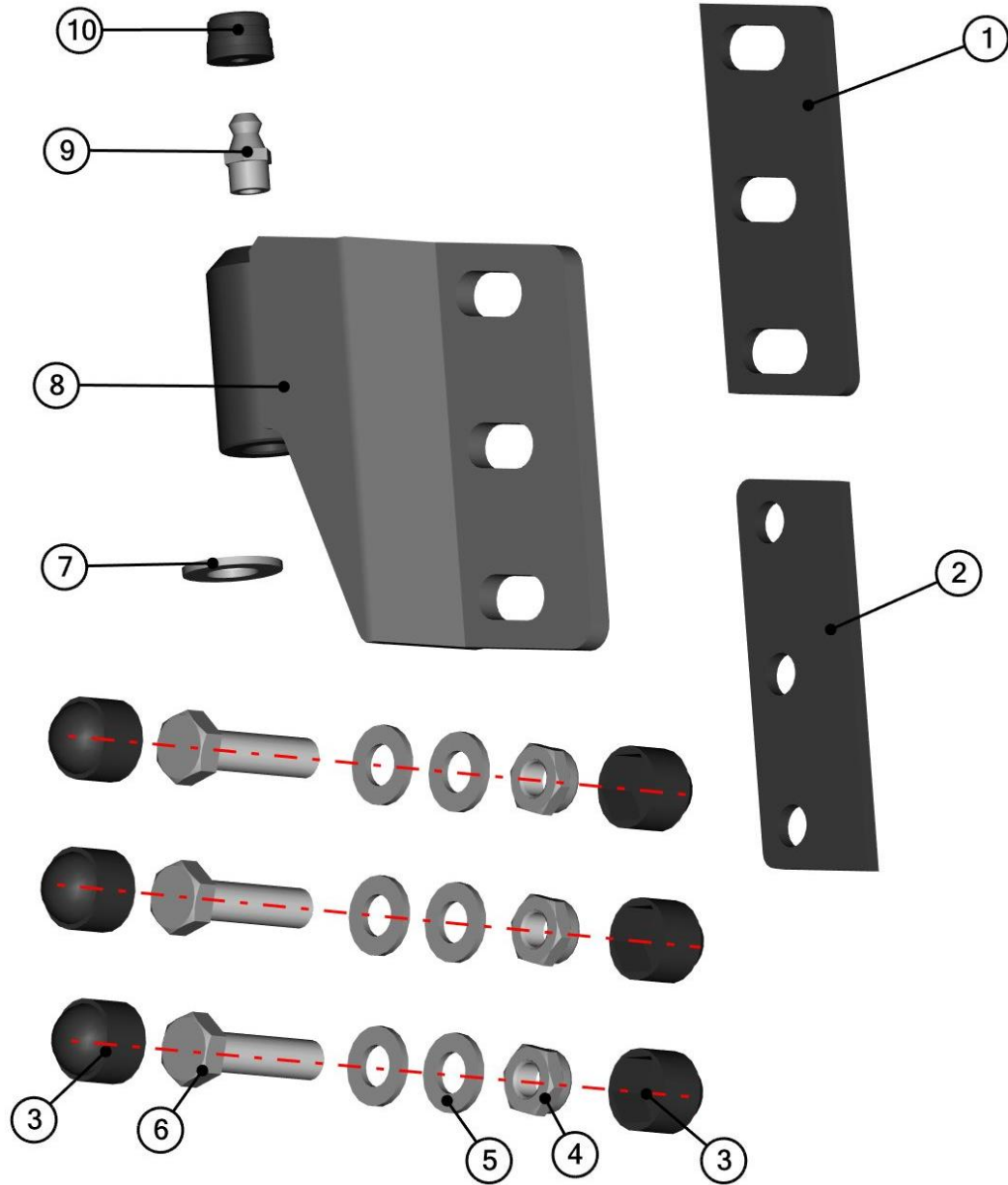


32

| ID | Catalogue no. | Description | Qty |
|----|-----------------|--------------------|-----|
| 1 | 42S07U01-50-010 | REAR GLASS SOLID | 1 |
| 2 | 42S07U01-50-009 | RIGHT WINDOW FRAME | 1 |
| 3 | 42S07U01-50-011 | REAR GLASS MOVABLE | 1 |
| 4 | 001762 | GLASS STOP | 1 |
| 5 | 00-40M008 | GLASS LOCK | 1 |

For the LEFT REAR WINDOW FRAME just use **42S07U01-40-009**.

RIGHT REAR DOOR HINGE ASSEMBLY
42S07U01-50M009

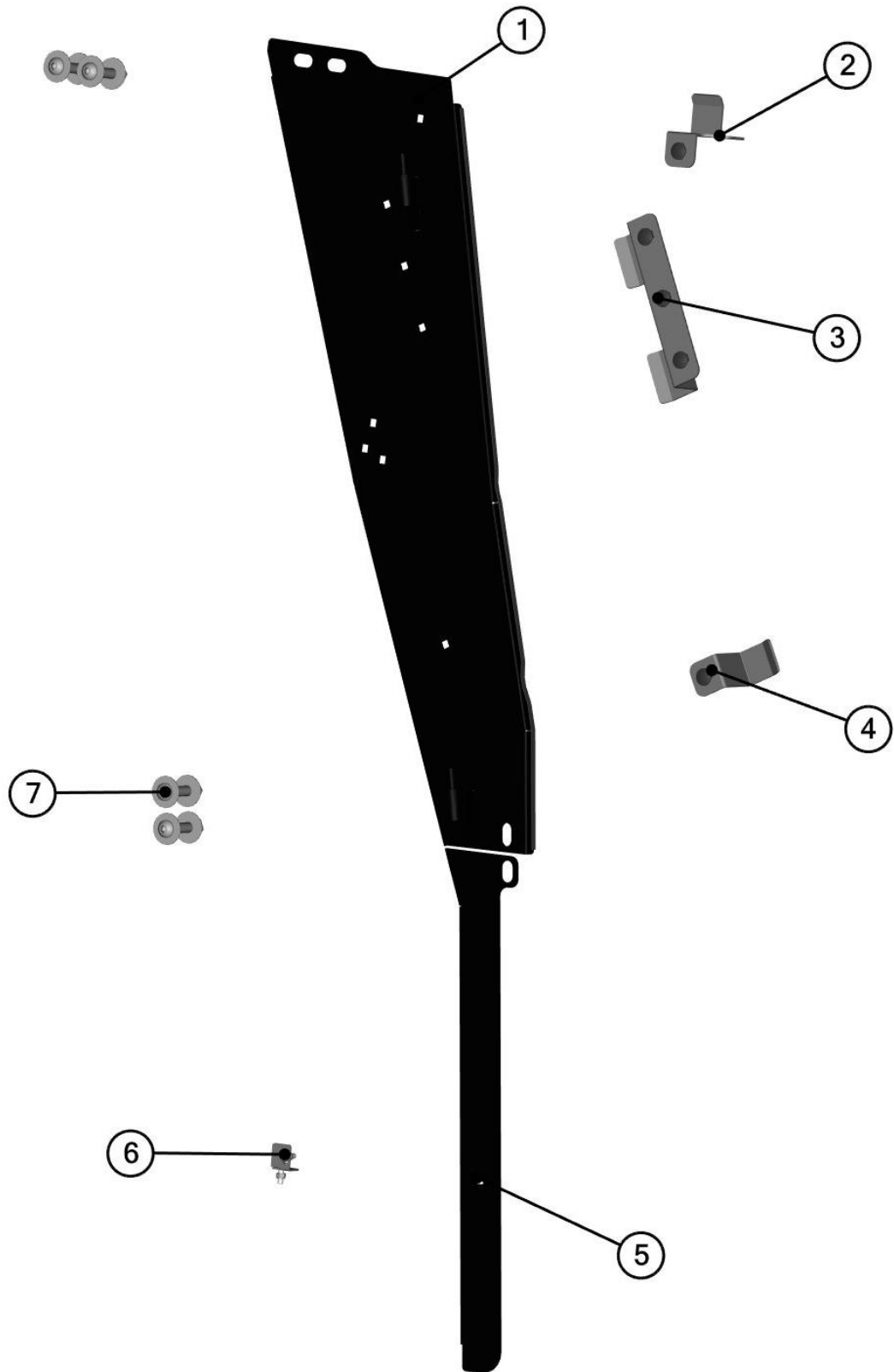


| ID | Catalogue no. | Description | Qty |
|----|-----------------|-------------------------|-----|
| 1 | 42S07U01-50-021 | REAR HINGE WASHER | 1 |
| 2 | 42S07U01-50-022 | REAR FRAME WASHER | 1 |
| 3 | 001309 | PLASTIC NUT COVER OK 13 | 6 |
| 4 | 001388 | SELF-LOCKING NUT M8 | 3 |
| 5 | 001387 | WASHER 8 | 6 |
| 6 | 001411 | SCREW M8x30 | 3 |
| 7 | 001485 | WASHER 10 | 1 |
| 8 | 42S07U01-50W002 | RIGHT REAR DOOR HINGE | 1 |
| 9 | 001430 | LUBRICATOR | 1 |
| 10 | 001431 | RUBBER COVER | 1 |

For the LEFT REAR DOOR HINGE just use **42S07U01-40W002**.

RIGHT+LEFT FRONT DOOR BASE





35

SEE NEXT PAGE

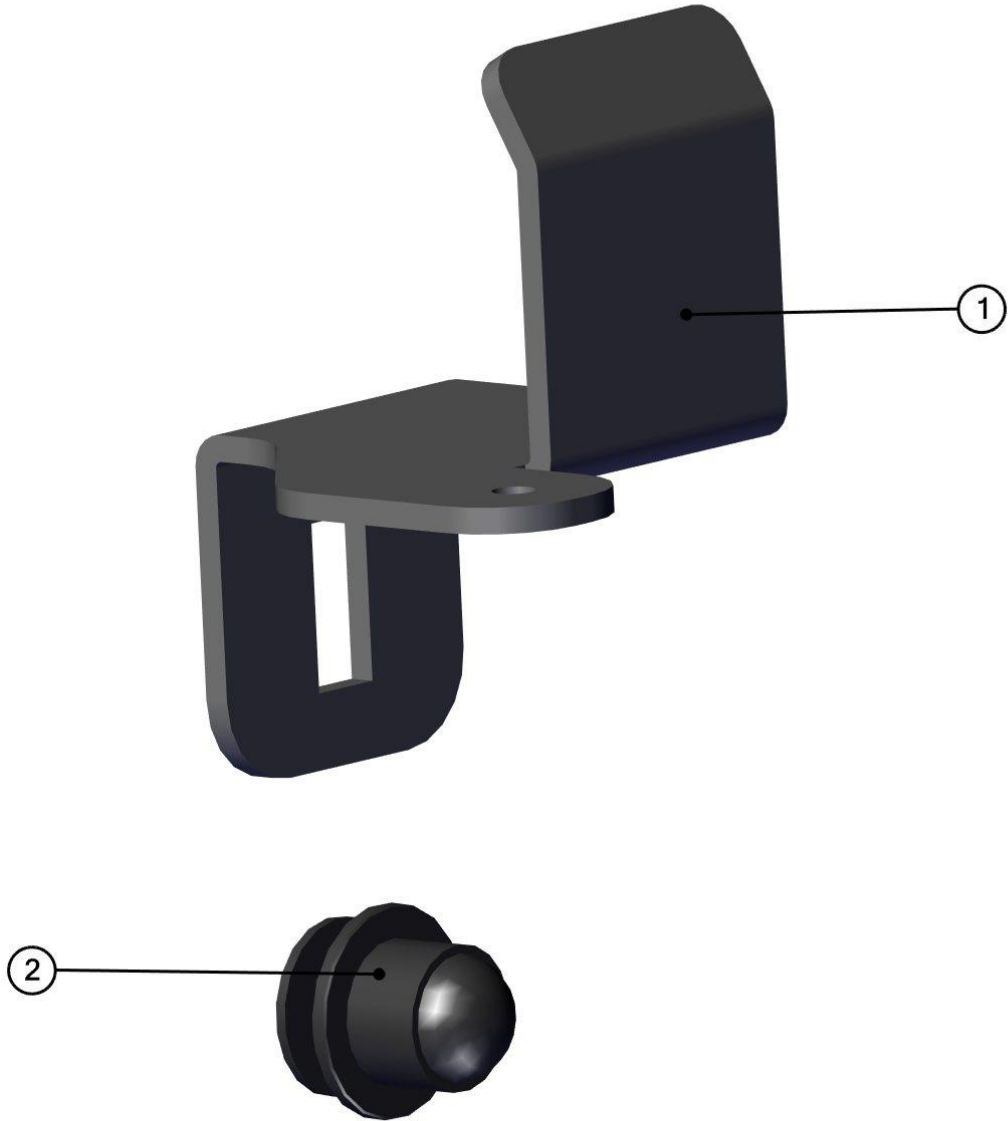
RIGHT TABLE

| ID | Catalogue no. | Description | Qty |
|----|-----------------|--|-----|
| 1 | 42S07U01-50W004 | RIGHT FRONT DOOR BASE WELDED | 1 |
| 2 | 42S06U01-20M004 | FRONT DOOR BASE UPPER HOLDER ASSEMBLY | 1 |
| 3 | 42S06U01-20M005 | FRONT DOOR BASE MIDDLE HOLDER ASSEMBLY | 1 |
| 4 | 42S06U01-20M006 | FRONT DOOR BASE BOTTOM HOLDER ASSEMBLY | 1 |
| 5 | 42S07U01-50M006 | RIGHT FRONT DOOR BASE SEALING LEDGE | 1 |
| 6 | 42S06U01-50M008 | RIGHT FRONT DOOR BASE SEALING LEDGE HOLDER | 1 |
| 7 | 42S06U01-10M008 | FRONT DOOR BASE FIXING ASSEMBLY | 4 |

LEFT TABLE

| ID | Catalogue no. | Description | Qty |
|----|-----------------|---|-----|
| 1 | 42S07U01-40W004 | LEFT FRONT DOOR BASE WELDED | 1 |
| 2 | 42S06U01-20M004 | FRONT DOOR BASE UPPER HOLDER ASSEMBLY | 1 |
| 3 | 42S06U01-20M005 | FRONT DOOR BASE MIDDLE HOLDER ASSEMBLY | 1 |
| 4 | 42S06U01-20M006 | FRONT DOOR BASE BOTTOM HOLDER ASSEMBLY | 1 |
| 5 | 42S07U01-40M006 | LEFT FRONT DOOR BASE SEALING LEDGE | 1 |
| 6 | 42S06U01-40M008 | LEFT FRONT DOOR BASE SEALING LEDGE HOLDER | 1 |
| 7 | 42S06U01-10M008 | FRONT DOOR BASE FIXING ASSEMBLY | 4 |

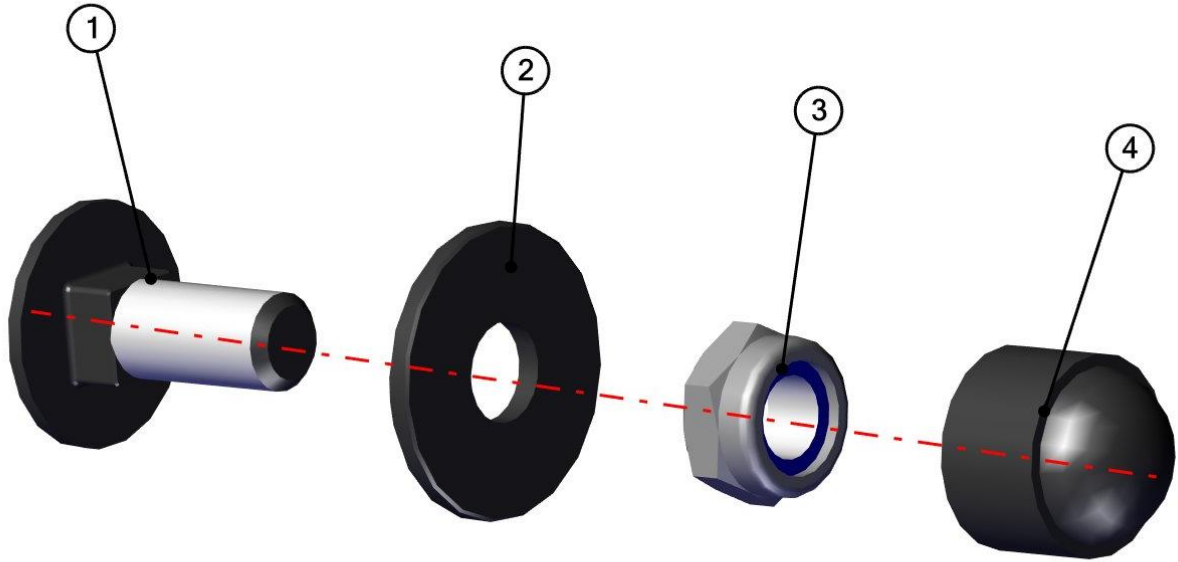
RIGHT FRONT DOOR BASE UPPER HOLDER ASSEMBLY
42S06U01-20M004



| ID | Catalogue no. | Description | Qty |
|----|-----------------|------------------------------|-----|
| 1 | 42S06U01-20-005 | RIGHT DOOR BASE UPPER HOLDER | 1 |
| 2 | 42S06U01-20M002 | HOLDER FIXING ASSEMBLY | 1 |

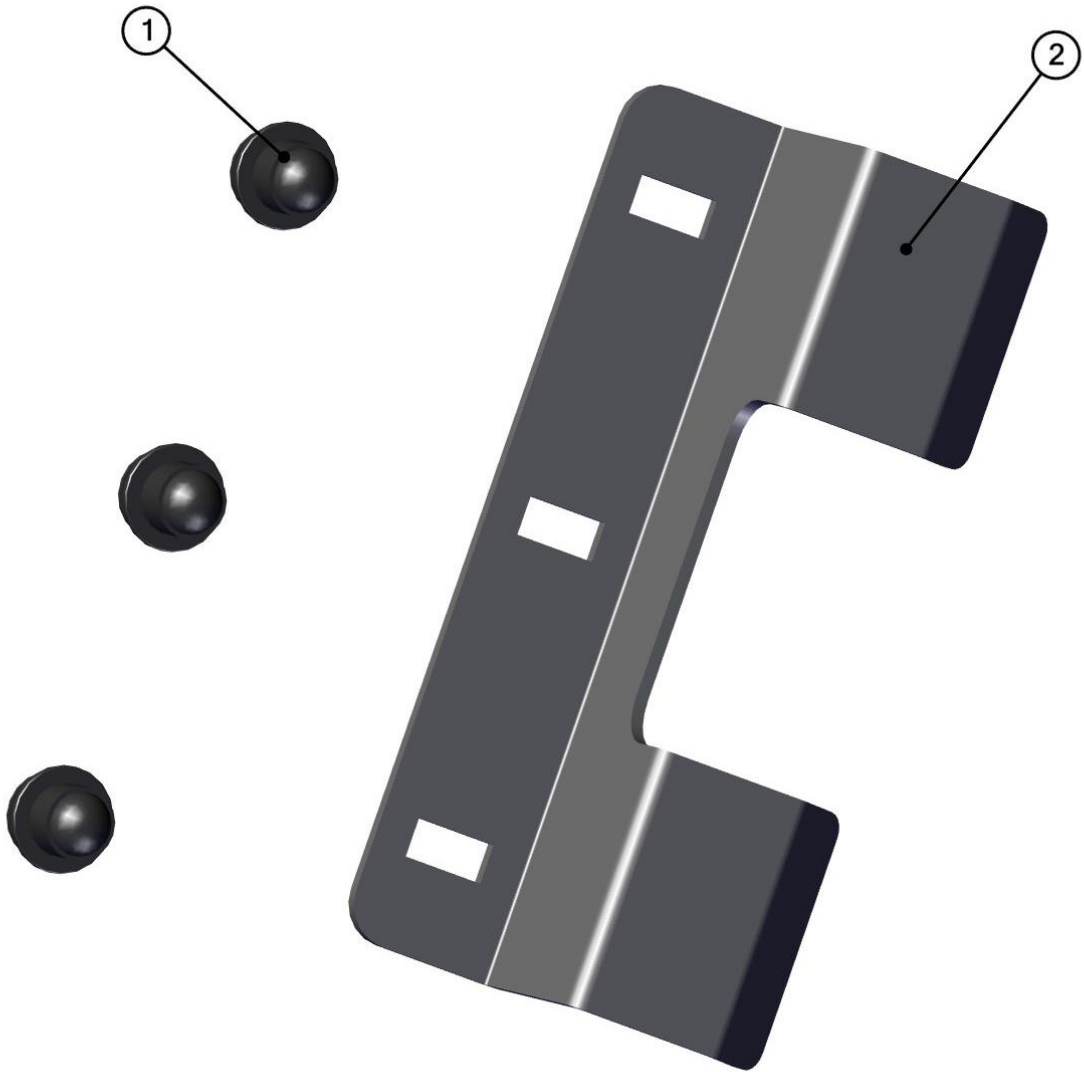
For the left door base upper holder just use **42S06U01-20-015**.

HOLDER FIXING ASSEMBLY
42S06U01-20M002



| ID | Catalogue no. | Description | Qty |
|----|---------------|------------------------|-----|
| 1 | 002575 | SCREW M8x20 | 1 |
| 2 | 003322 | WASHER 8 LARGE | 1 |
| 3 | 001388 | SELF-LOCKING NUT M8 | 1 |
| 4 | 001309 | PLASTIC NUT COVER OK13 | 1 |

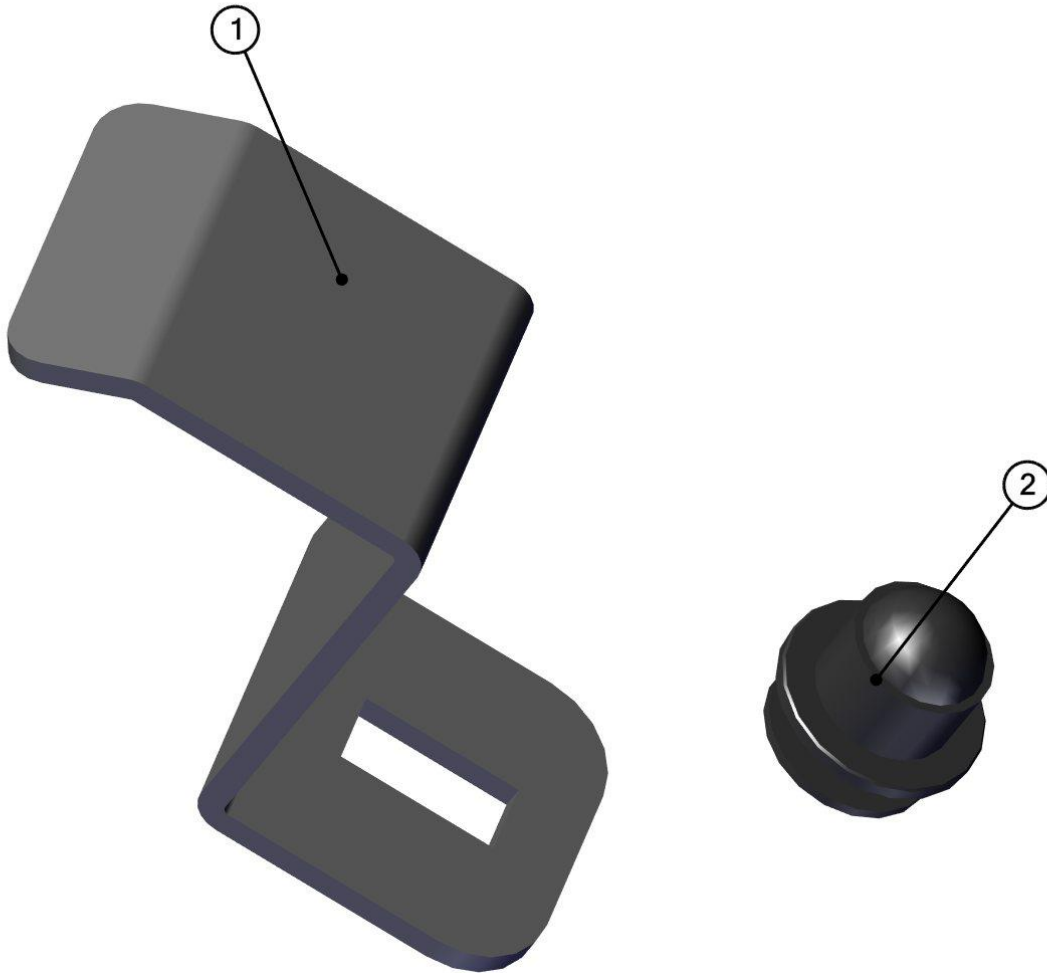
FRONT DOOR BASE MIDDLE HOLDER ASSEMBLY
42S06U01-20M005



39

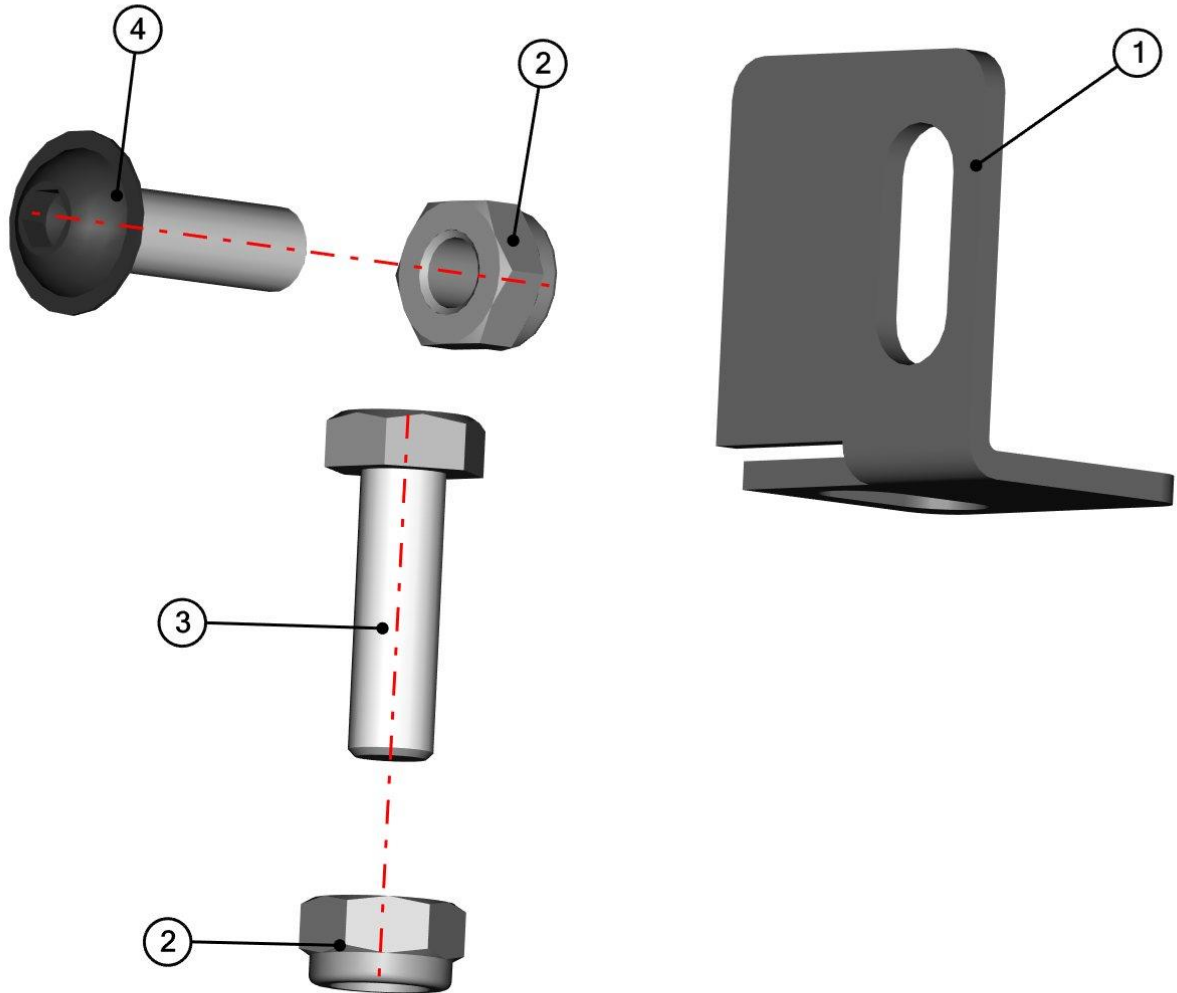
| ID | Catalogue no. | Description | Qty |
|----|-----------------|------------------------|-----|
| 1 | 42S06U01-20M002 | HOLDER FIXING ASSEMBLY | 3 |
| 2 | 42S06U01-20-003 | DOOR BASE HOLDER LARGE | 1 |

FRONT DOOR BASE BOTTOM HOLDER ASSEMBLY
42S06U01-20M006



| ID | Catalogue no. | Description | Qty |
|----|-----------------|-------------------------|-----|
| 1 | 42S06U01-20-004 | BOTTOM DOOR BASE HOLDER | 1 |
| 2 | 42S06U01-20M002 | HOLDER FIXING ASSEMBLY | 1 |

RIGHT FRONT DOOR BASE SEALING LEDGE HOLDER ASSEMBLY
42S07U01-50M008



41

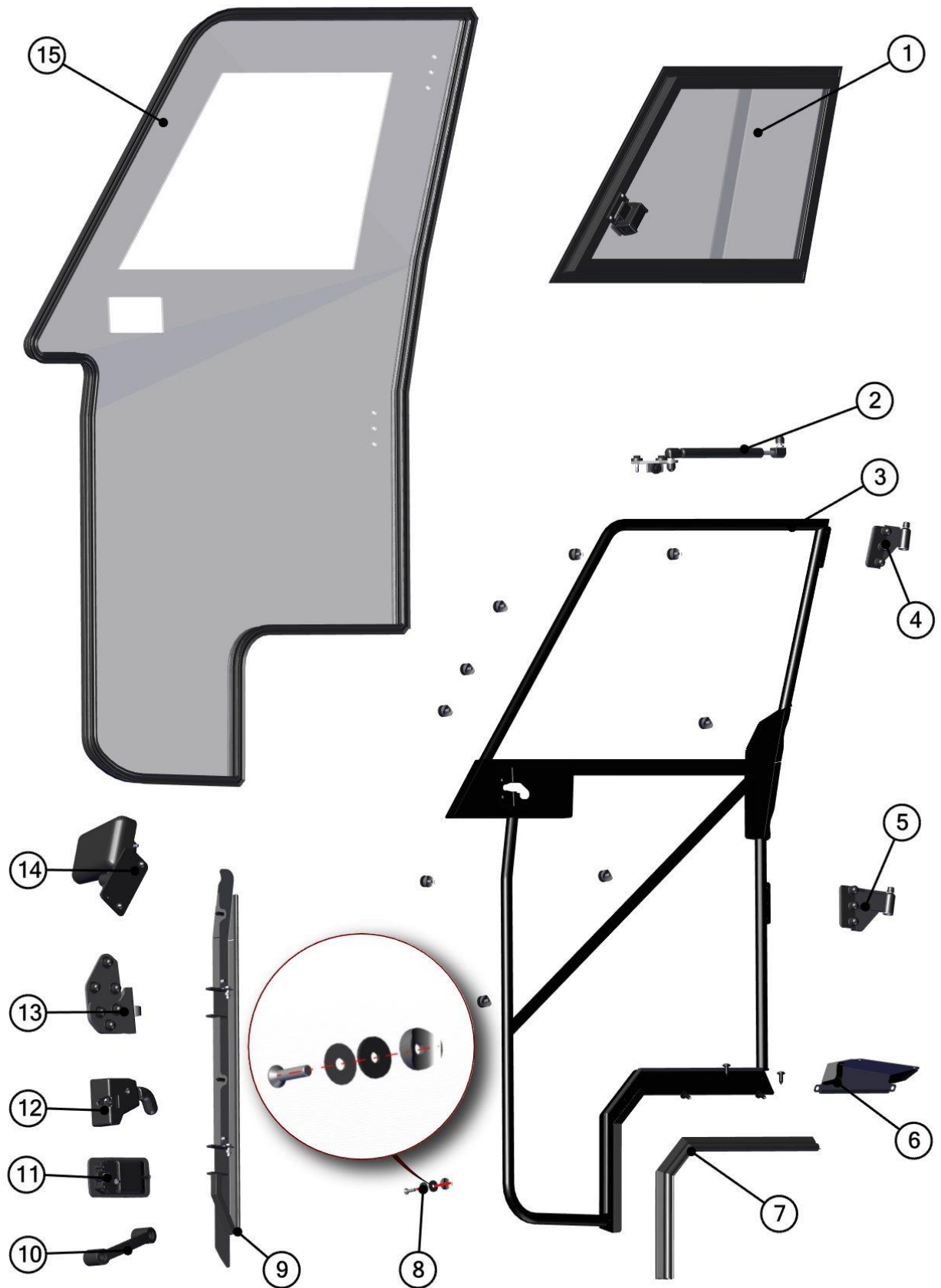
| ID | Catalogue no. | Description | Qty |
|----|-----------------|--------------------------------------|-----|
| 1 | 42S06U01-50-021 | FRONT DOOR BASE SEALING LEDGE HOLDER | 1 |
| 2 | 001392 | SELF-LOCKING NUT M6 | 2 |
| 3 | 001398 | SCREW M6x20 | 1 |
| 4 | 002192 | SCREW M6x20 | 1 |

For the LEFT FRONT DOOR BASE SEALING LEDGE HOLDER just use 42S06U01-40-021.

RIGHT FRONT DOOR

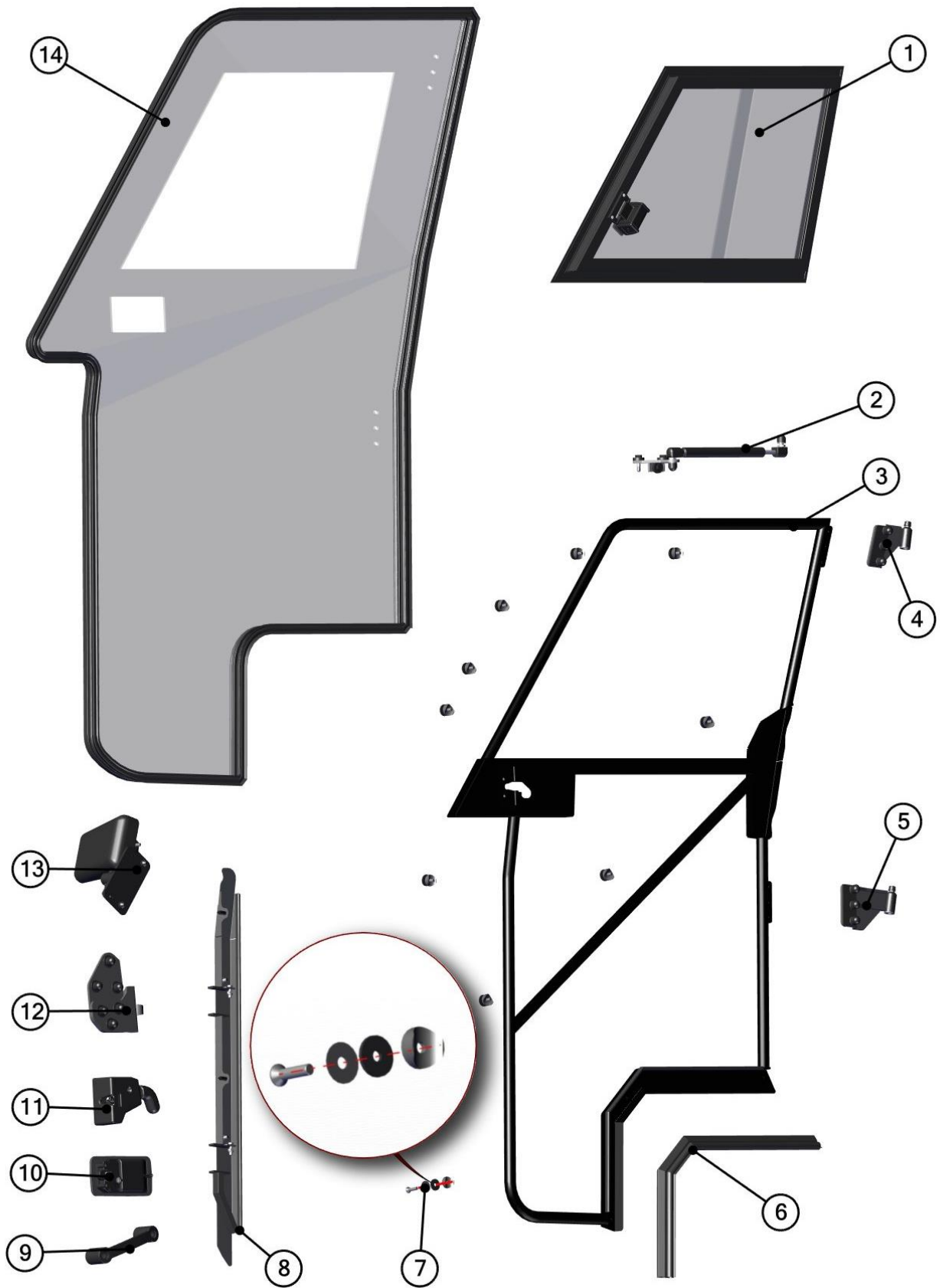


42



| ID | Catalogue no. | Description | Qty |
|----|--------------------|------------------------------------|-----|
| 1 | 42S06U01-50M001 | RIGHT WINDOW ASSEMBLY | 1 |
| 2 | 42S06U01-50M013 | GAS SPRING ASSEMBLY | 1 |
| 3 | 42S06U01-50W001 | RIGHT DOOR FRAME WELDED | 1 |
| 4 | 42S06U01-50M016 | RIGHT UPPER DOOR HINGE ASSEMBLY | 1 |
| 5 | 42S06U01-50M015 | RIGHT BOTTOM DOOR HINGE ASSEMBLY | 1 |
| 6 | 42S06U01-50M004 | GAS TANK COVER ASSEMBLY | 1 |
| 7 | 001005^42S06U01S50 | RUBBER PROFILE "PIRELA STRAIGHT" | 1 |
| 8 | 00-00M019 | POLYCARBONATE FIXING ASSEMBLY | 10 |
| 9 | 42S06U01-50M009 | RIGHT FRONT SEALING LEDGE ASSEMBLY | 1 |
| 10 | 001703 | DOOR HANDLE | 1 |
| 11 | 000841 | OUTER DOOR LOCK | 1 |
| 12 | 001744 | RIGHT INNER DOOR LOCK | 1 |
| 13 | 42S06U01-50M002 | RIGHT DOOR STOP ASSEMBLY | 1 |
| 14 | 00-109U-M004 | RIGHT DOOR MIRROR ASSEMBLY | 1 |
| 15 | 42S06U01-50M012 | RIGHT POLYCARBONATE WITH SEALING | 1 |

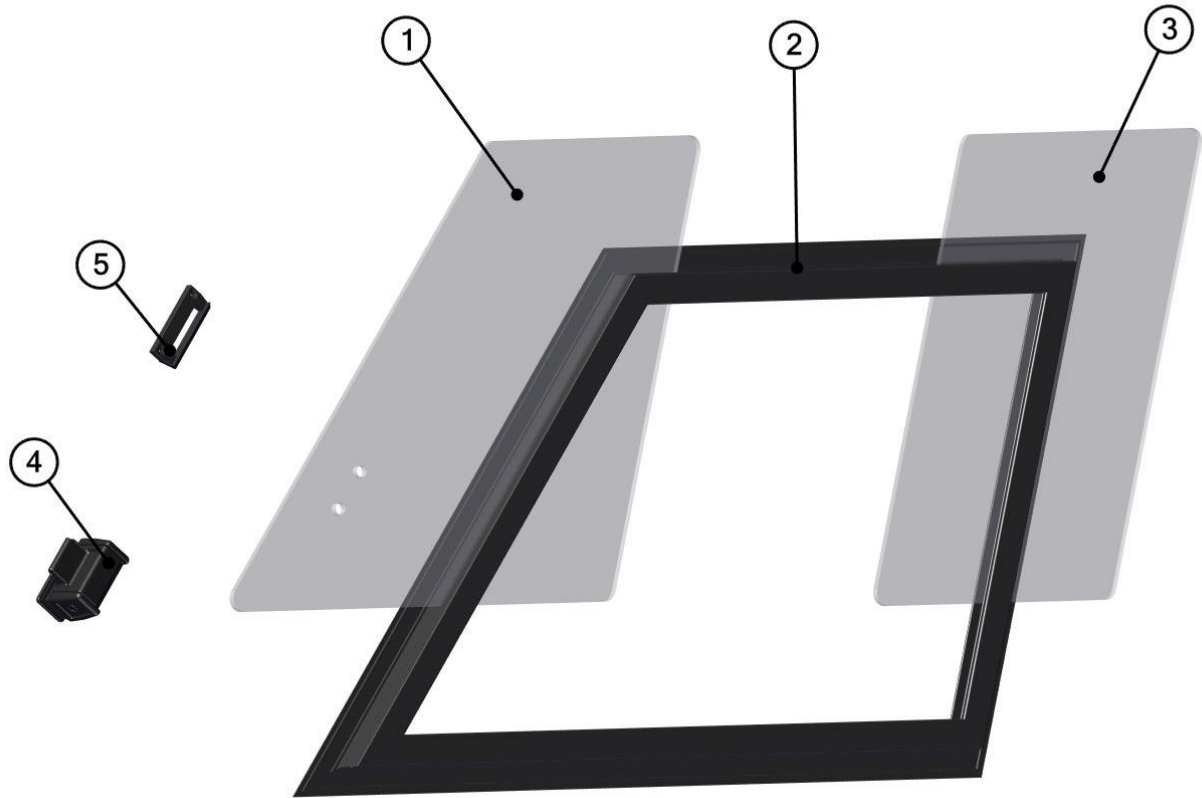
LEFT FRONT DOOR



45

| ID | Catalogue no. | Description | Qty |
|----|--------------------|-----------------------------------|-----|
| 1 | 42S06U01-40M001 | LEFT WINDOW ASSEMBLY | 1 |
| 2 | 42S06U01-50M013 | GAS SPRING ASSEMBLY | 1 |
| 3 | 42S06U01-40W001 | LEFT DOOR FRAME WELDED | 1 |
| 4 | 42S06U01-40M016 | LEFT UPPER DOOR HINGE | 1 |
| 5 | 42S06U01-40M015 | LEFT BOTTOM DOOR HINGE | 1 |
| 6 | 001005^42S06U01S50 | RUBBER PROFILE "PIRELA STRAIGHT" | 1 |
| 7 | 00-00M019 | POLYCARBONATE FIXING ASSEMBLY | 10 |
| 8 | 42S06U01-40M009 | LEFT FRONT SEALING LEDGE ASSEMBLY | 1 |
| 9 | 001703 | DOOR HANDLE | 1 |
| 10 | 000841 | OUTER DOOR LOCK | 1 |
| 11 | 001743 | LEFT INNER DOOR LOCK | 1 |
| 12 | 42S06U01-40M002 | LEFT DOOR STOP ASSEMBLY | 1 |
| 13 | 00-109U-M003 | LEFT DOOR MIRROR ASSEMBLY | 1 |
| 14 | 42S06U01-40M012 | LEFT POLYCARBONATE WITH SEALING | 1 |

RIGHT FRONT WINDOW ASSEMBLY
42S06U01-50M001



47

| ID | Catalogue no. | Description | Qty |
|----|-----------------|--------------------|-----|
| 1 | 42S06U01-50-010 | DOOR GLASS MOVABLE | 1 |
| 2 | 42S06U01-50-008 | LEFT WINDOW FRAME | 1 |
| 3 | 42S06U01-50-009 | DOOR GLASS SOLID | 1 |
| 4 | 001700 | GLASS LOCK | 1 |
| 5 | 001762 | GLASS STOP | 1 |

For the left window frame just use **42S06U01-40-008**.

FRONT GAS SPRING ASSEMBLY
42S06U01-50M013

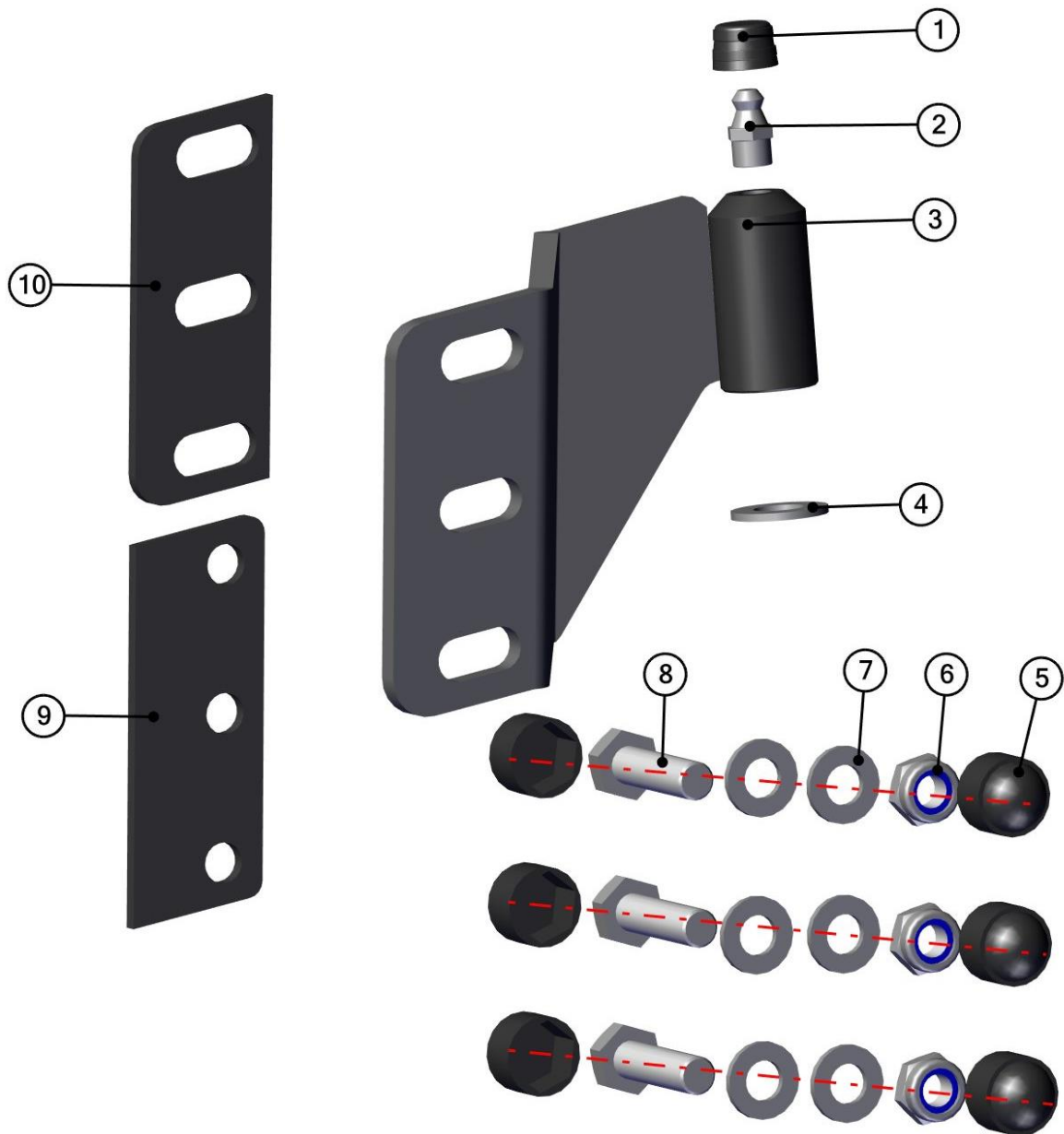


48

| ID | Catalogue no. | Description | Qty |
|----|---------------|-------------------------------|-----|
| 1 | 000868 | GAS SPRING | 1 |
| 2 | 001309 | PLASTIC NUT COVER OK13 | 2 |
| 3 | 001388 | SELF-LOCKING NUT M8 | 2 |
| 4 | 001387 | WASHER 8 | 2 |
| 5 | 001351 | PLASTIC TEX SCREW COVER OK 10 | 3 |
| 6 | 001459 | TEX SCREW 6,3x25 | 3 |
| 7 | 001337 | WASHER 6 LARGE | 3 |
| 8 | 00-004E04 | GAS SPRING HOLDER | 1 |

RIGHT UPPER FRONT DOOR HINGE ASSEMBLY

42S06U01-50M016

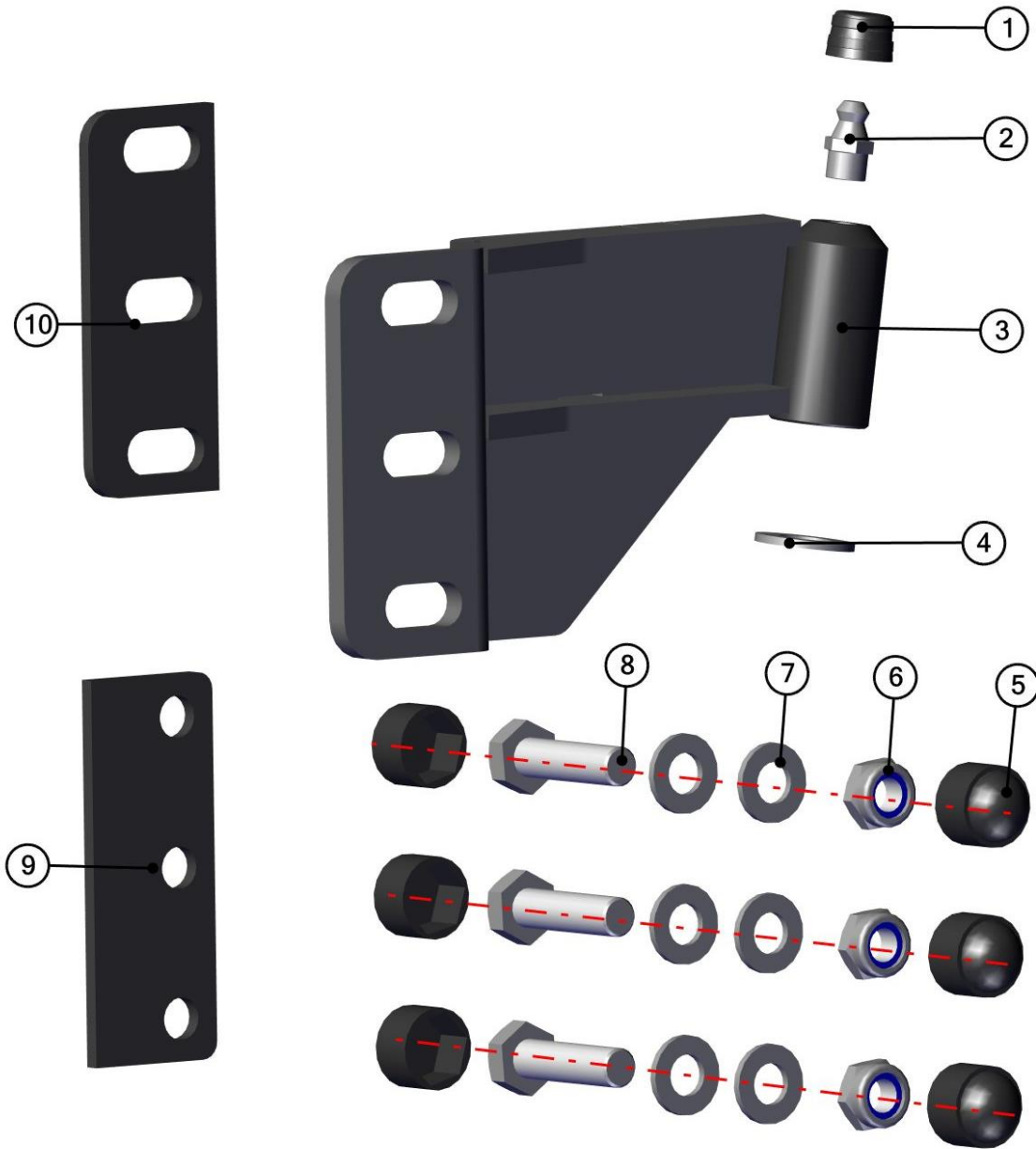


49

| ID | Catalogue no. | Description | Qty |
|----|-----------------|-------------------------------|-----|
| 1 | 001431 | RUBBER COVER | 1 |
| 2 | 001430 | LUBRICATOR | 1 |
| 3 | 42S06U01-50W004 | RIGHT UPPER DOOR HINGE WELDED | 1 |
| 4 | 001485 | WASHER 10 | 1 |
| 5 | 001309 | PLASTIC NUT COVER OK13 | 6 |
| 6 | 001388 | SELF-LOCKING NUT M8 | 3 |
| 7 | 001387 | WASHER 8 | 6 |
| 8 | 001411 | SCREW M8x30 | 3 |
| 9 | 42S06U01-50-029 | UPPER HINGE FRAME WASHER | 1 |
| 10 | 42S06U01-50-028 | UPPER HINGE WASHER | 1 |

For the left upper front door hinge welded just use **42S06U01-40W004**.

RIGHT BOTTOM FRONT DOOR HINGE ASSEMBLY
42S06U01-50M015

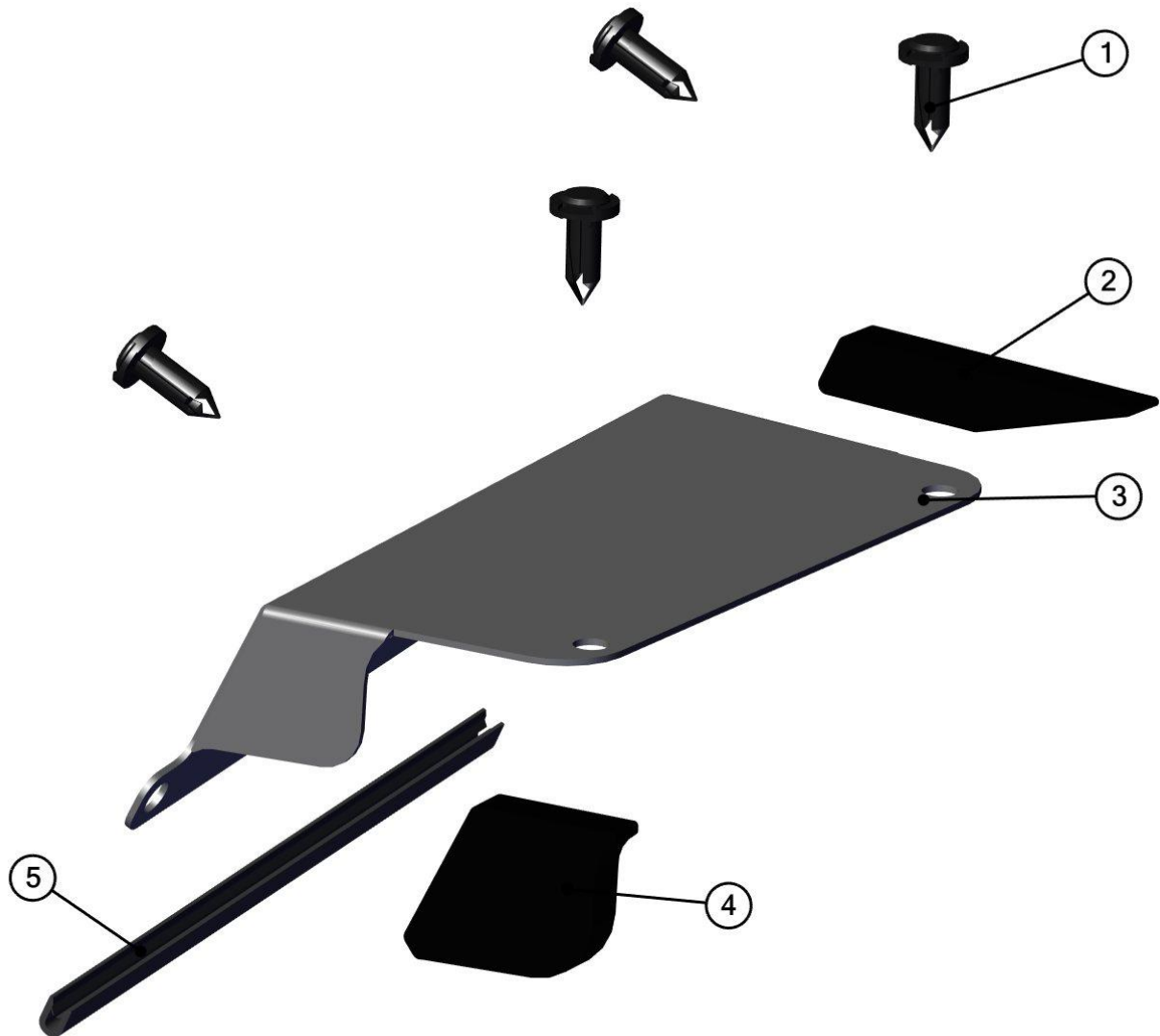


50

| ID | Catalogue no. | Description | Qty |
|----|-----------------|--------------------------------|-----|
| 1 | 001431 | RUBBER COVER | 1 |
| 2 | 001430 | LUBRICATOR | 1 |
| 3 | 42S06U01-50W003 | RIGHT BOTTOM DOOR HINGE WELDED | 1 |
| 4 | 001485 | WASHER 10 | 1 |
| 5 | 001309 | PLASTIC NUT COVER OK13 | 6 |
| 6 | 001388 | SELF-LOCKING NUT M8 | 3 |
| 7 | 001387 | WASHER 8 | 6 |
| 8 | 001411 | SCREW M8x3 | 3 |
| 9 | 42S06U01-50-025 | BOTTOM HINGE FRAME WASHER | 1 |
| 10 | 42S06U01-50-024 | BOTTOM HINGE WASHER | 1 |

For the left bottom front door hinge welded just use **42S06U01-40W003**.

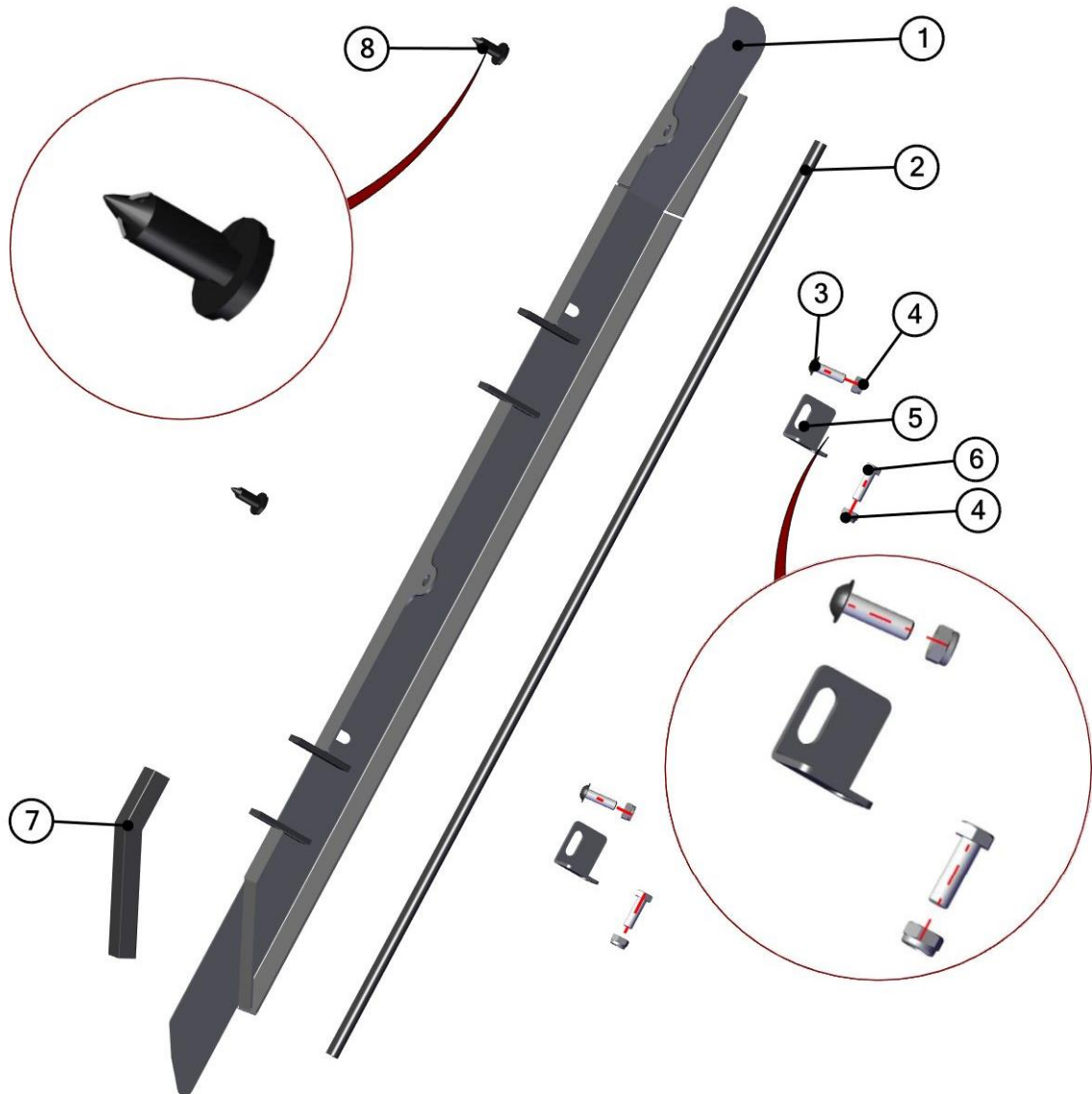
GAS TANK COVER ASSEMBLY
42S06U01-50M004



51

| ID | Catalogue no. | Description | Qty |
|----|------------------------|--------------------------|-----|
| 1 | 002615 | RUBBER RIVET | 4 |
| 2 | 42S06U01-50-017 | GAS TANK SEALING EPDM 2 | 1 |
| 3 | 42S06U01-50-015 | GAS TANK SEALING | 1 |
| 4 | 42S06U01-50-016 | GAS TANK SEALING EPDM 1 | 1 |
| 5 | 001001^42S06U01-50M014 | RUBBER PROFILE "LEMOVKA" | 1 |

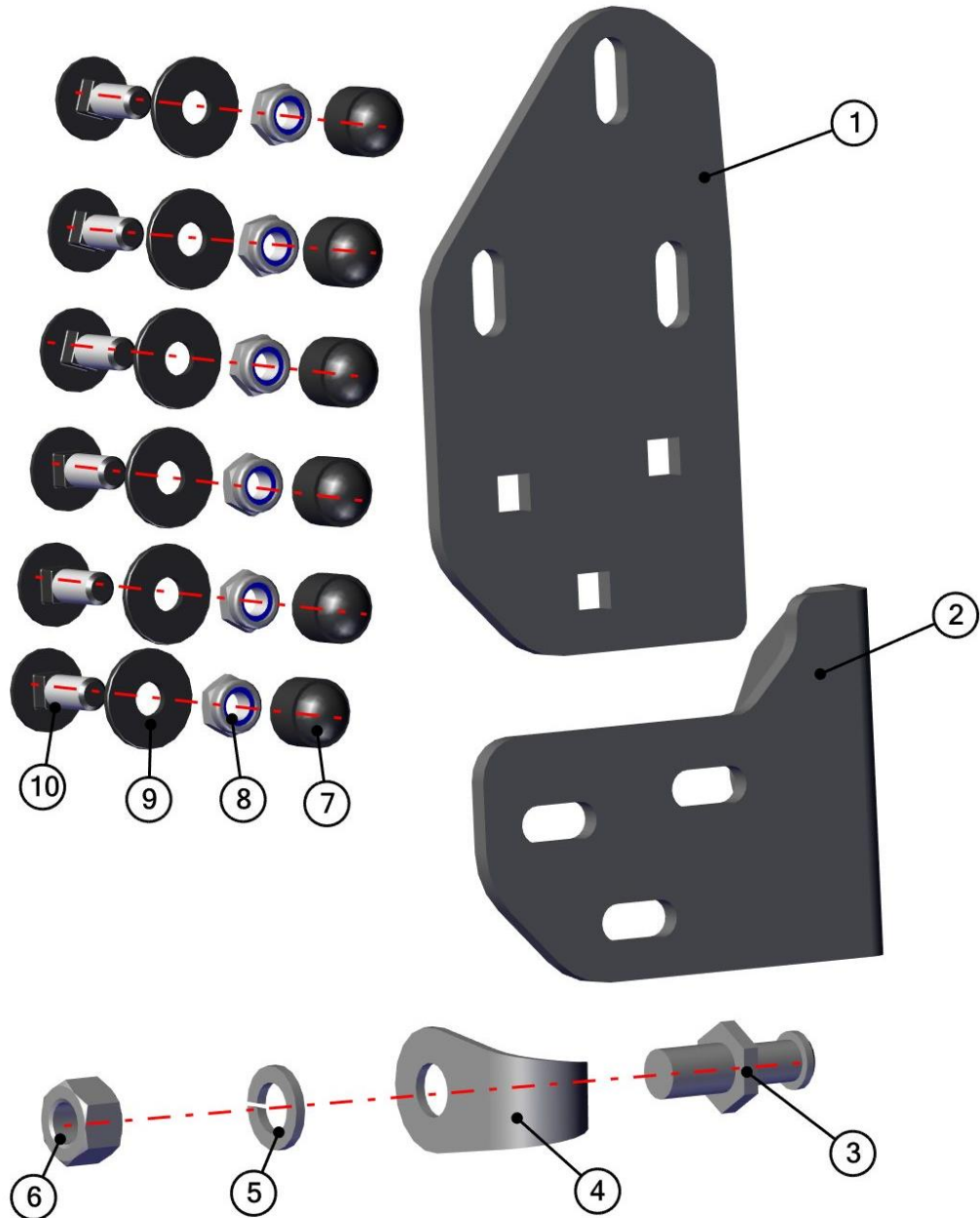
RIGHT FRONT SEALING LEDGE ASSEMBLY
42S06U01-50M009



| ID | Catalogue no. | Description | Qty |
|----|------------------------|---------------------------|-----|
| 1 | 42S06U01-50-001 | RIGHT DOOR SEALING LEDGE | 1 |
| 2 | 001001^42S06U01-50M011 | RUBBER PROFILE "LEMOVKA" | 1 |
| 3 | 002192 | SCREW M6x20 | 2 |
| 4 | 001392 | SELF-LOCKING NUT M6 | 4 |
| 5 | 42S06U01-50-021 | DOOR SEALING LEDGE HOLDER | 2 |
| 6 | 001398 | SCREW M6x20 | 2 |
| 7 | 001016^42S06U01-50M011 | RUBBER PROFILE "VLECKA" | 1 |
| 8 | 002615 | RUBBER RIVET | 2 |

For the left door sealing ledge just use 42S06U01-40-001.
For the left door sealing ledge holder just use 42S06U01-40-021.

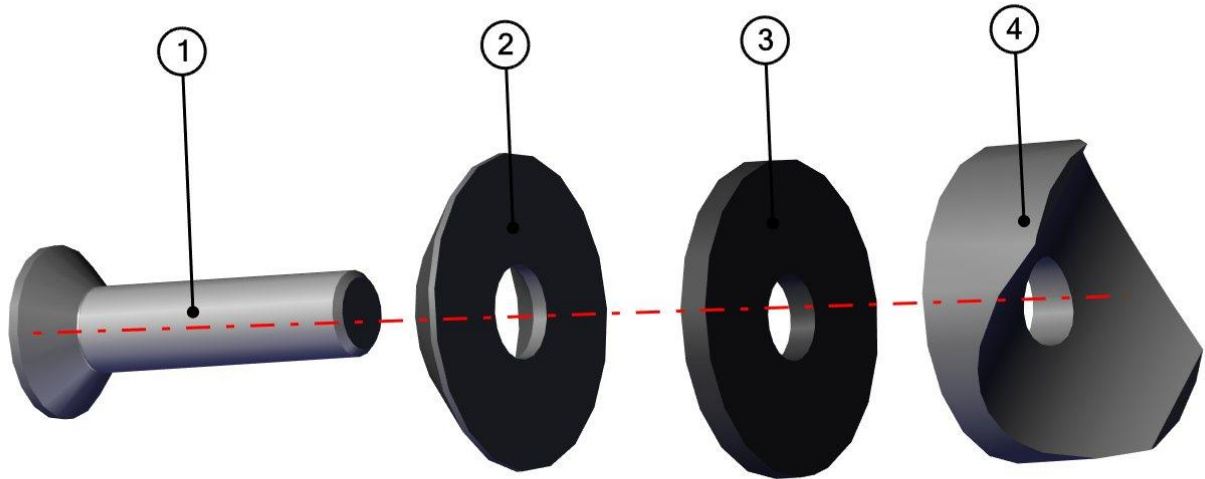
RIGHT FRONT DOOR STOP ASSEMBLY
42S06U01-50M002



| ID | Catalogue no. | Description | Qty |
|----|-----------------|------------------------|-----|
| 1 | 42S06U01-50-013 | DOOR STOP BASE | 1 |
| 2 | 42S06U01-50-014 | RIGHT DOOR STOP HOLDER | 1 |
| 3 | 000854 | DOOR STOP PIN | 1 |
| 4 | 000855 | DOOR STOP HOOK | 1 |
| 5 | 000857 | DOOR STOP WASHER | 1 |
| 6 | 000856 | DOOR STOP NUT | 1 |
| 7 | 001309 | PLASTIC NUT COVER OK13 | 6 |
| 8 | 001388 | SELF-LOCKING NUT M8 | 6 |
| 9 | 003322 | WASHER 8 LARGE | 6 |
| 10 | 002575 | SCREW M8x20 | 6 |

For the left door stop holder just use **42S06U01-40-014**.

POLYCARBONATE FIXING ASSEMBLY
00-00M019

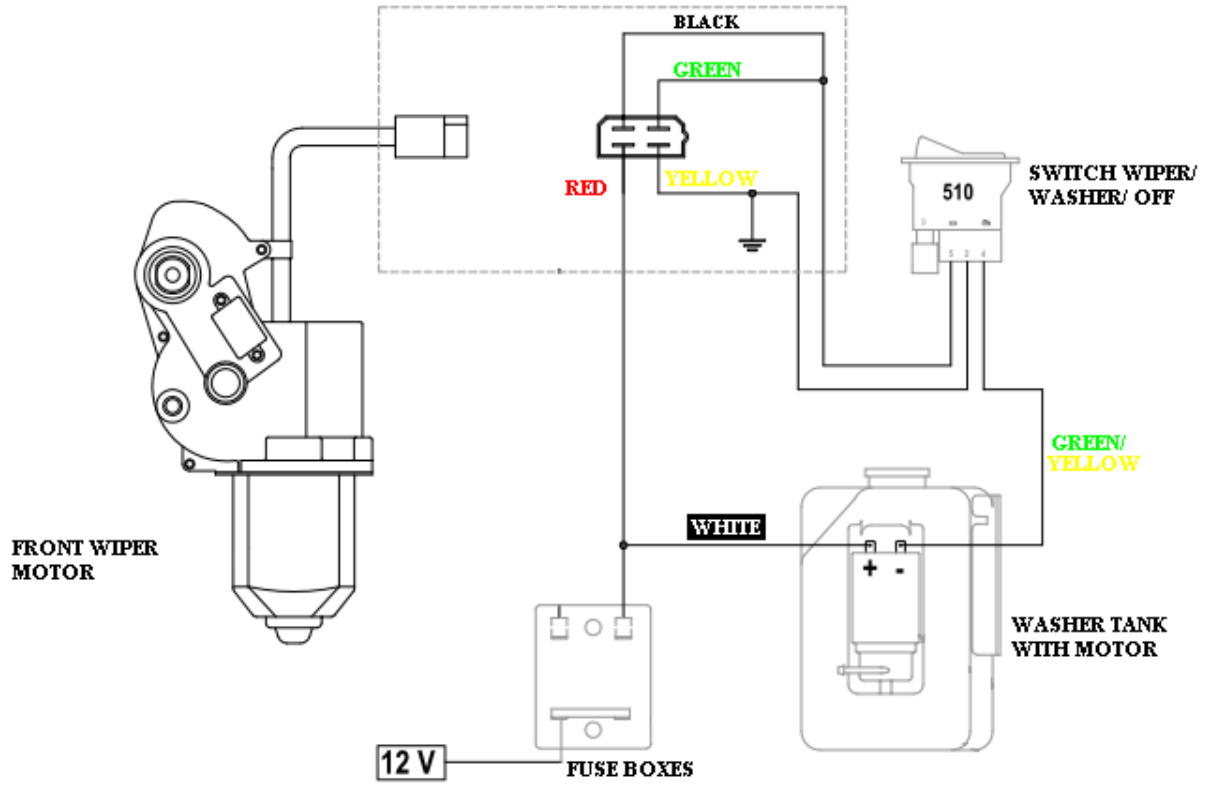


54

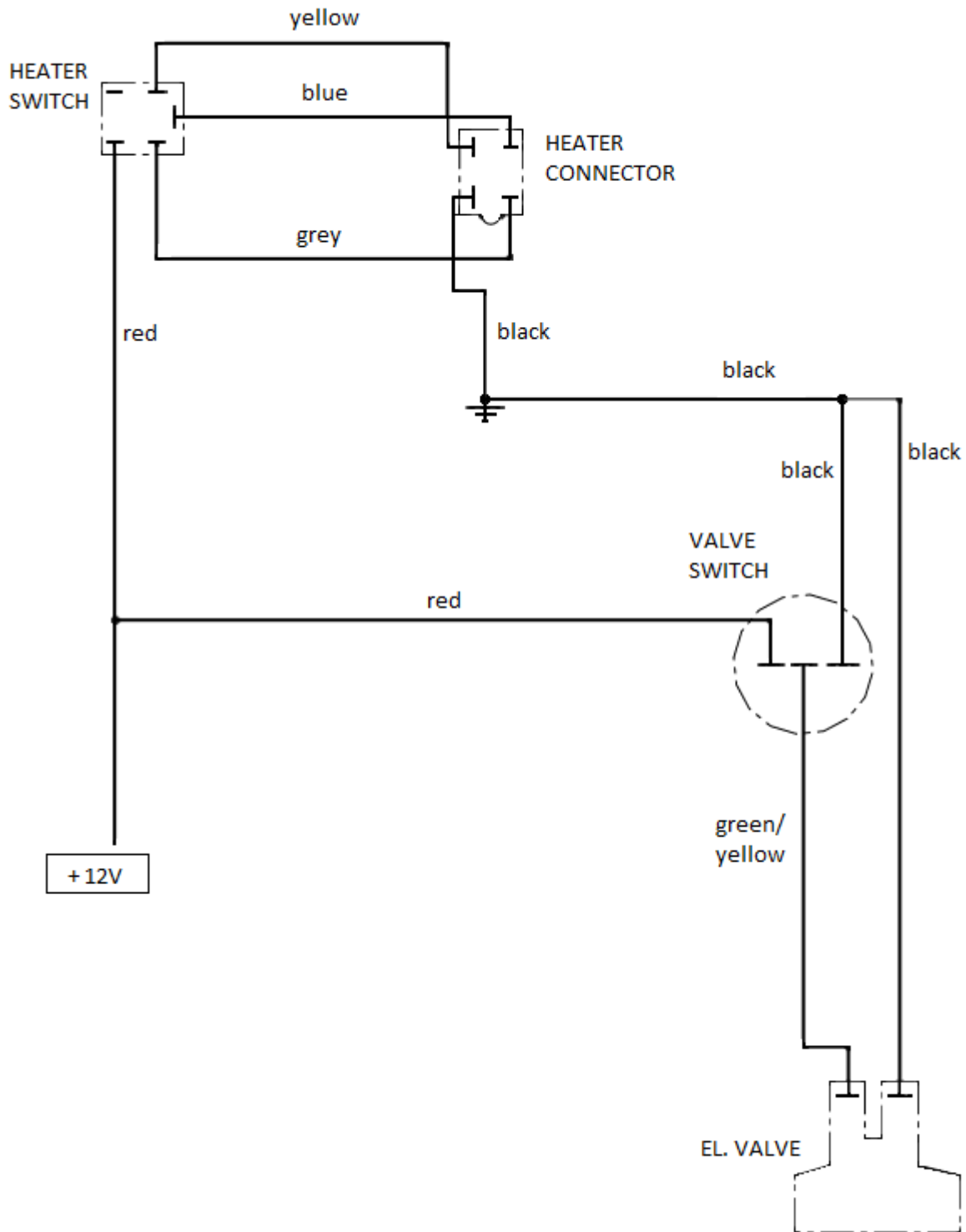
| ID | Catalogue no. | Description | Qty |
|----|---------------|----------------|-----|
| 1 | 002120 | SCREW M6x25 | 1 |
| 2 | 001715 | PLASTIC WASHER | 1 |
| 3 | 001735 | RUBBER WASHER | 1 |
| 4 | 001736 | SADDLE WASHER | 1 |

ELECTROINSTALLATION

Overall wiring diagram (wiper/washer)



Overall wiring diagram (heater)



56

| Position | Catalogue no. | Description | Qty |
|----------|-----------------|---------------------------|-----|
| 1 | 000968 | SWITCH WIPER /WASHER /OFF | 1 |
| 2 | 000885 | WASHER TANK | 1 |
| 3 | 001576 | WASHER MOTOR | 1 |
| 4 | 001652 | FUSE BOX 2x1 | 1 |
| 5 | 002764 | WIPER MOTOR 12V | 1 |
| 6 | 42S06U01-01M001 | WIPER HARNESS | 1 |
| 7 | 42S06U01-02W001 | HEATER HOLDER | 1 |
| 8 | 002491 | AIR VENT VALVE | 1 |
| 9 | 002386 | ELECTROMAGNETIC VALVE | 1 |
| 10 | 001367 | TIGHTENING STRAP 12-22MM | 2 |
| 11 | 002642 | TIGHTENING STRAP 14-27MM | 10 |
| 12 | 002643 | TIGHTENING STRAP 21-38MM | 2 |
| 13 | 001368 | TIGHTENING STRAP 40-60MM | 4 |
| 14 | 002863 | AIR VENT SMALLER | 2 |
| 15 | 002379 | AIR VENT BIGGER | 2 |
| 16 | 002795 | AIR HOSE | 1 |
| 17 | 002705 | AL SELFGLUED TAPE | 1 |
| 18 | 003536 | HEATER TUBE "Y" SMALL | 1 |
| 19 | 002502 | HEATER TUBE "Y" LARGE | 1 |
| 20 | 002391 | EL.VENT SWITCH | 1 |
| 21 | 002702 | HEATER SWITCH | 1 |
| 22 | 42S06U01-02M006 | HEATER HARNESS | 1 |
| 23 | 000896 | HEATER HOSE | 1 |
| 24 | 002624 | HEATER | 1 |
| 25 | 42S06U01-03M001 | WASHER HARNESS | 1 |

SEE PICTURES ON NEXT PAGES



Position : 1

Catalogue no.: 000968



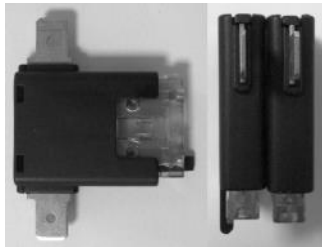
Position : 2

Catalogue no.: 000885



Position : 3

Catalogue no.: 001576



Position : 4

Catalogue no.: 001652



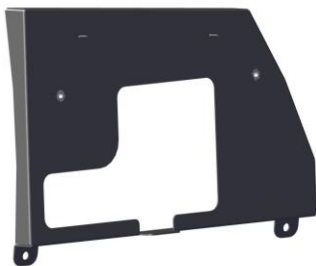
Position : 5

Catalogue no.: 002764



Position : 6

Catalogue no.: 42S06U01-01M001



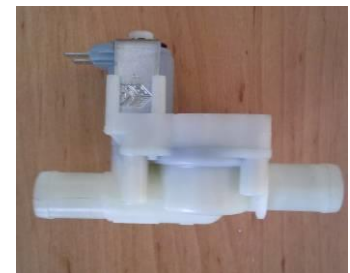
Position : 7

Catalogue no.: 42S06U01-02W001










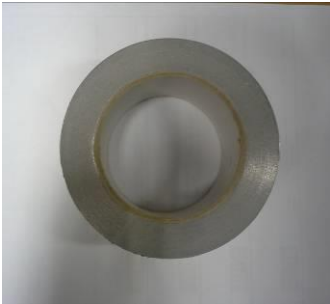

Position : 8

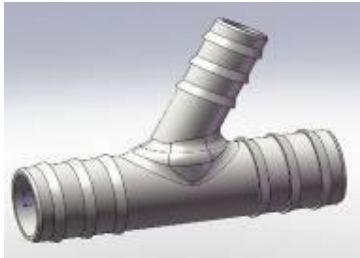
Catalogue no.: 002491



Position : 9

Catalogue no.: 002386

| | | |
|---|---|---|
|  |  |  |
| Position : 10 | Position : 11 | Position : 12 |
| Catalogue no.: 001367 | Catalogue no.: 002642 | Catalogue no.: 002643 |
|  |  |  |
| Position : 13 | Position : 14 | Position : 15 |
| Catalogue no.: 001368 | Catalogue no.: 002863 | Catalogue no.: 002739 |
|  |  |  |
| Position : 16 | Position : 17 | Position : 18 |
| Catalogue no.: 002795 | Catalogue no.: 002705 | Catalogue no.: 003536 |



Position : 19

Catalogue no.: 002502

Position :20

Catalogue no.: 002391

Position : 21

Catalogue no.: 002702



Position : 22

**Catalogue no.:
42S06U01-02M006**

Position : 23

Catalogue no.: 000896

Position : 24

Catalogue no.: 002624



Position : 25

**Catalogue no.:
42S06U01-03M001**