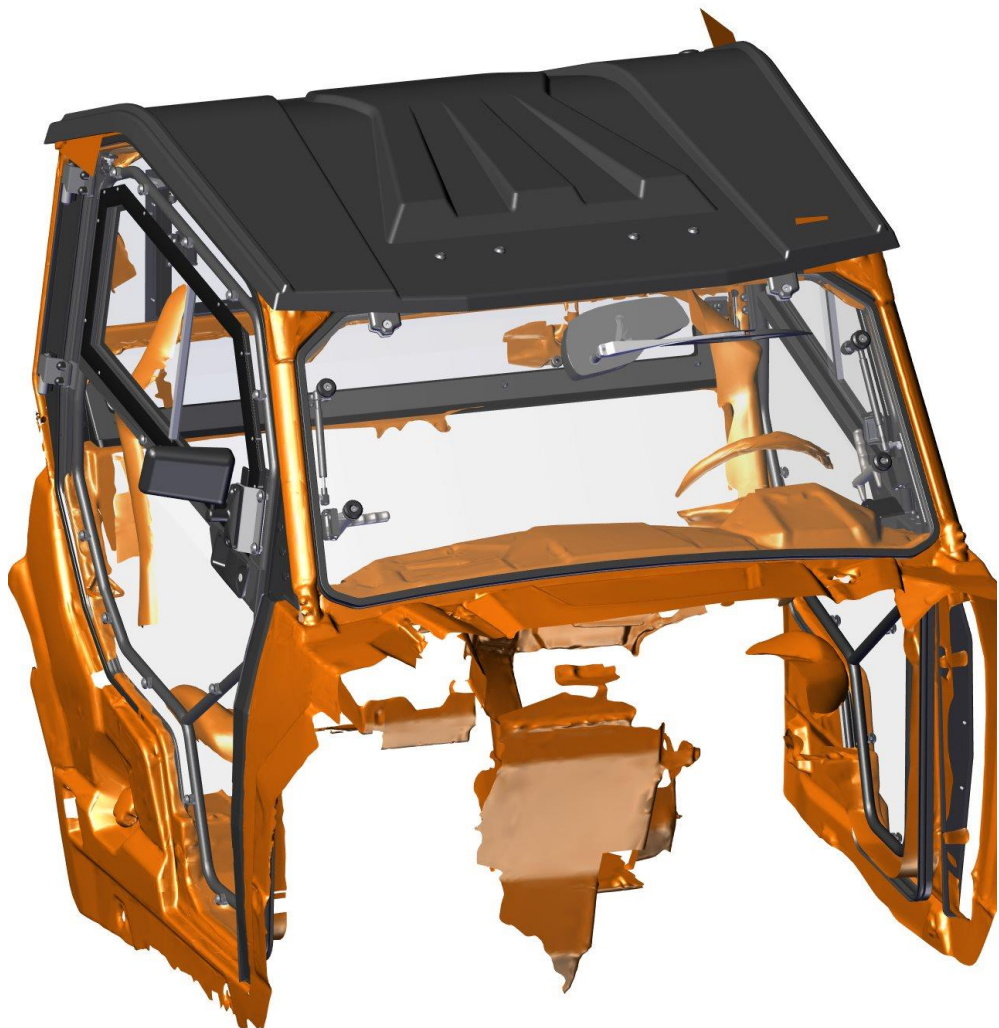


HardCabs

A DFK AMERICA COMPANY

INSTALLATION INSTRUCTIONS

POLARIS **GENERAL 1000 EPS**



SAFETY INSTRUCTIONS

Warning: Failure to heed all safety and operating instructions and warnings regarding use of this product can result in serious bodily injury.

READ PROPERLY COMPLETE ASSEMBLY INSTRUCTIONS BEFORE STARTING OF ASSEMBLY

Install all parts indicated in assembly instructions. Failure to fully assemble product before use could result in personal injury.

Assembly of product requires use of hand or power tools. If you are not experienced in using these types of tools, have product dealer do the install for you.

Some parts contain sharp edges, wear protective gloves if necessary.

Always keep your assembly area clean, uncluttered and well lit.

Keep visitors and children a safe distance away from the assembly area. Visitors should wear the same safety equipment described under.

Never operate your UTV with the cab doors open. Failure to properly latch the doors before moving the vehicle could result in serious injury.

Dress for safety. DO NOT wear loose clothing, gloves, neckties or jewelry if using power tools to assemble this product.

Insert all nut covers after you finish installation.

Never drive your UTV with the cab front window in open position. Failure to properly latch/lock front window before driving the vehicle could result in serious injury.

Please be careful not to break the plastic washers, if you're tightening screws with plastic washers use max torque of 3.7 foot-pound force (5 Nm)!!!

WARNING: For safety purposes, if the DFK Cab doors are removed, it is mandatory that the OEM manufactured Half Doors or Nets are **REINSTALLED** before operating the vehicle.

MAINTENANCE AND CLEANING

To clean polycarbonate surface use soapy water solution or other subtle means.

Dirt and dust wash by gently water stream and swipe only with wet or damp means in the direction from top to bottom.

The recommended frequency of cleaning of polycarbonate part is about 1 time per month or according to the actual degree of pollution.

*Do not use detergents that could scratch the surface plates.
(abrasives, harsh fabrics, etc.)*

*Do not use solvents or alkaline detergents or cleaners with ammonia
(ammonium hydroxide).*

Do not remove the impurities from the surface of the razor blades or other sharp items.

Do not clean cabin when the polycarbonate plates are heated by the sun.

Do not use the squeegee, it could be scratched surface plates.

Do not clean the water current strength greater than 50 bar (WAP)

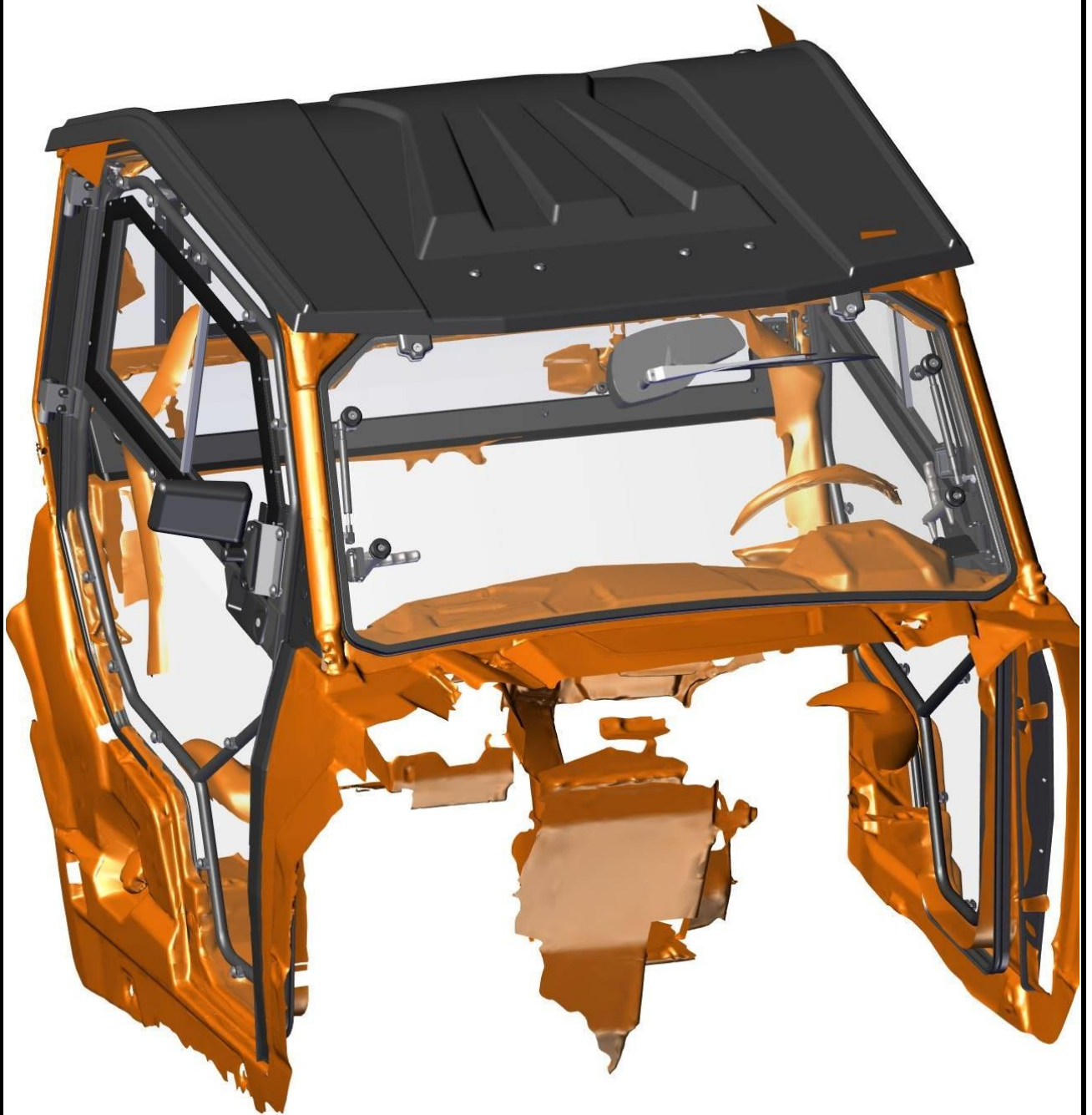
The manufacturer is not responsible for scratching the surface in case of failure to comply with the above instructions.

All bolted connections of cab must be by user at regular intervals checked and tightened.

PREPARATION FOR INSTALLATION:

Uninstall all additional systems from the roller cages (work lights, rear mirrors, drink holders etc.)

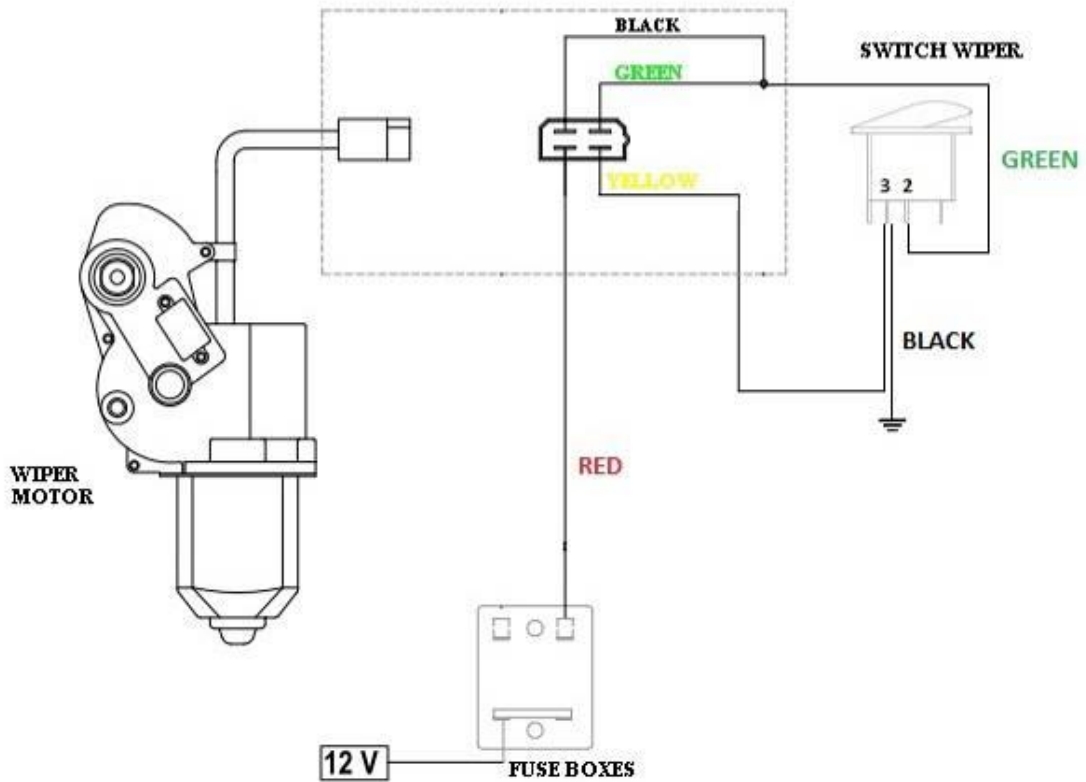
[CAB PREVIEW](#)



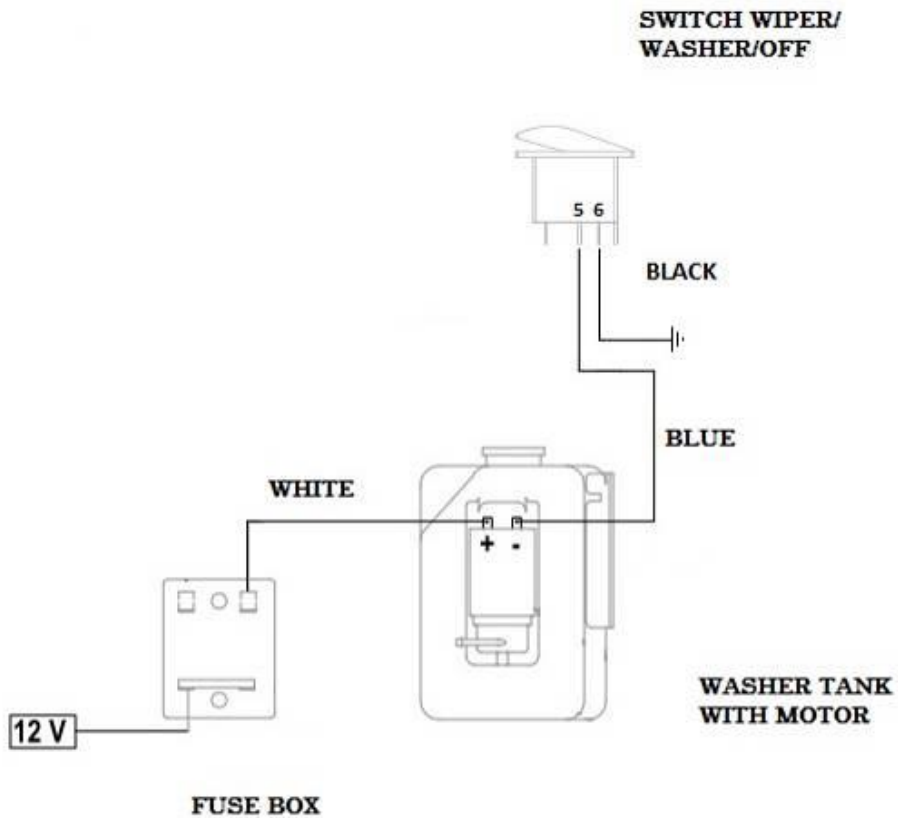
4

ELECTROINSTALLATION

Overall wiring diagram (wiper)



Overall wiring diagram (washer)



Uninstall central console side covers from both sides.



Install washer tank holder to the plastic cover behind the seats.



Press the washer tank onto the holder.



SEE NEXT PAGES

7

Connect the washer harness to the washer motor. Lead the wiper/washer harness through the central console under the dashboard.



Remove switch cover from the dashboard and lead the wiper/washers switch harness branch through the hole.



Connect the wiper/washer switch to the harness branch and press the switch into the dashboard.
DETAILED VIEW



Lead the wiper harness branch with the washer tube through the UTV roller cage to the wiper motor position. DETAILED VIEW



10

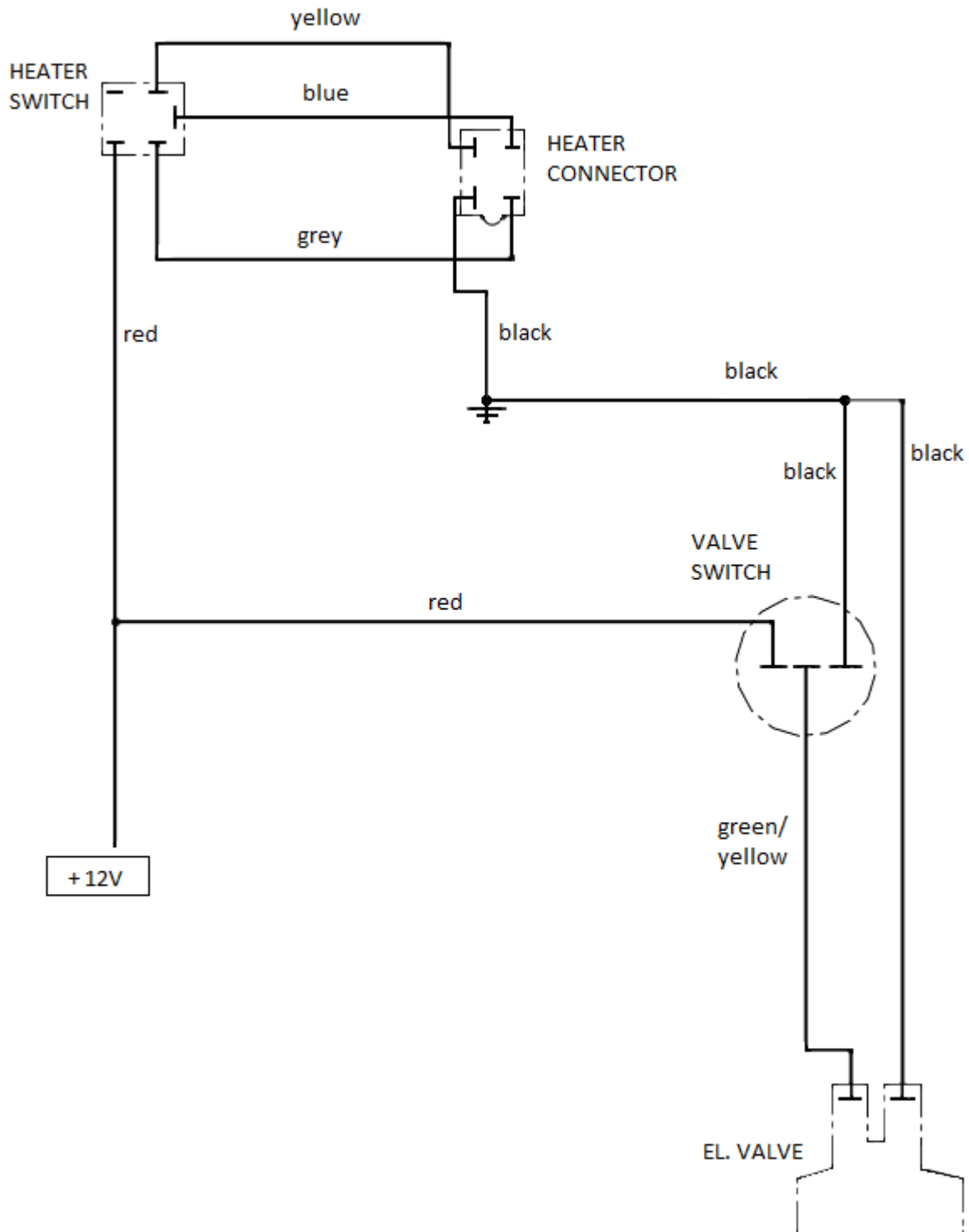
Drill hole \varnothing 12mm into the front upper plastic cover and lead the wiper harness to the center of the vehicle.



Do NOT connect to the original electroinstalation yet.

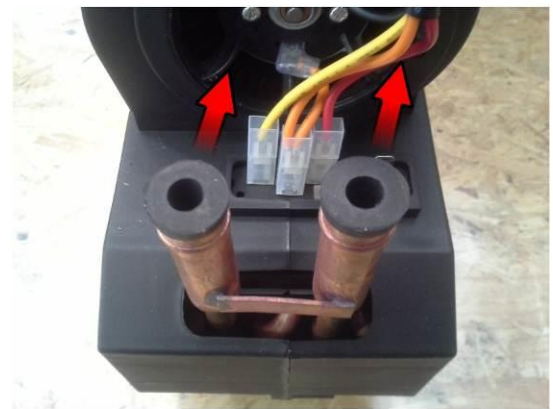
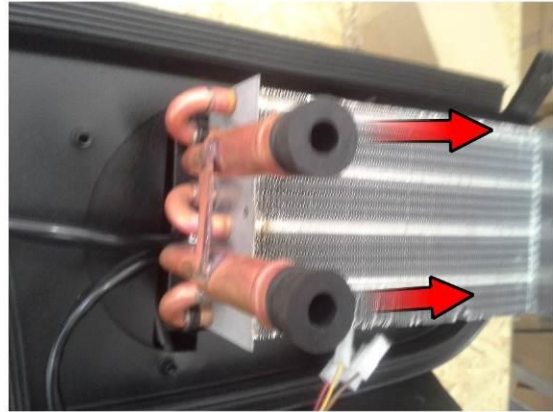
HEATER

Overall wiring diagram (heater)

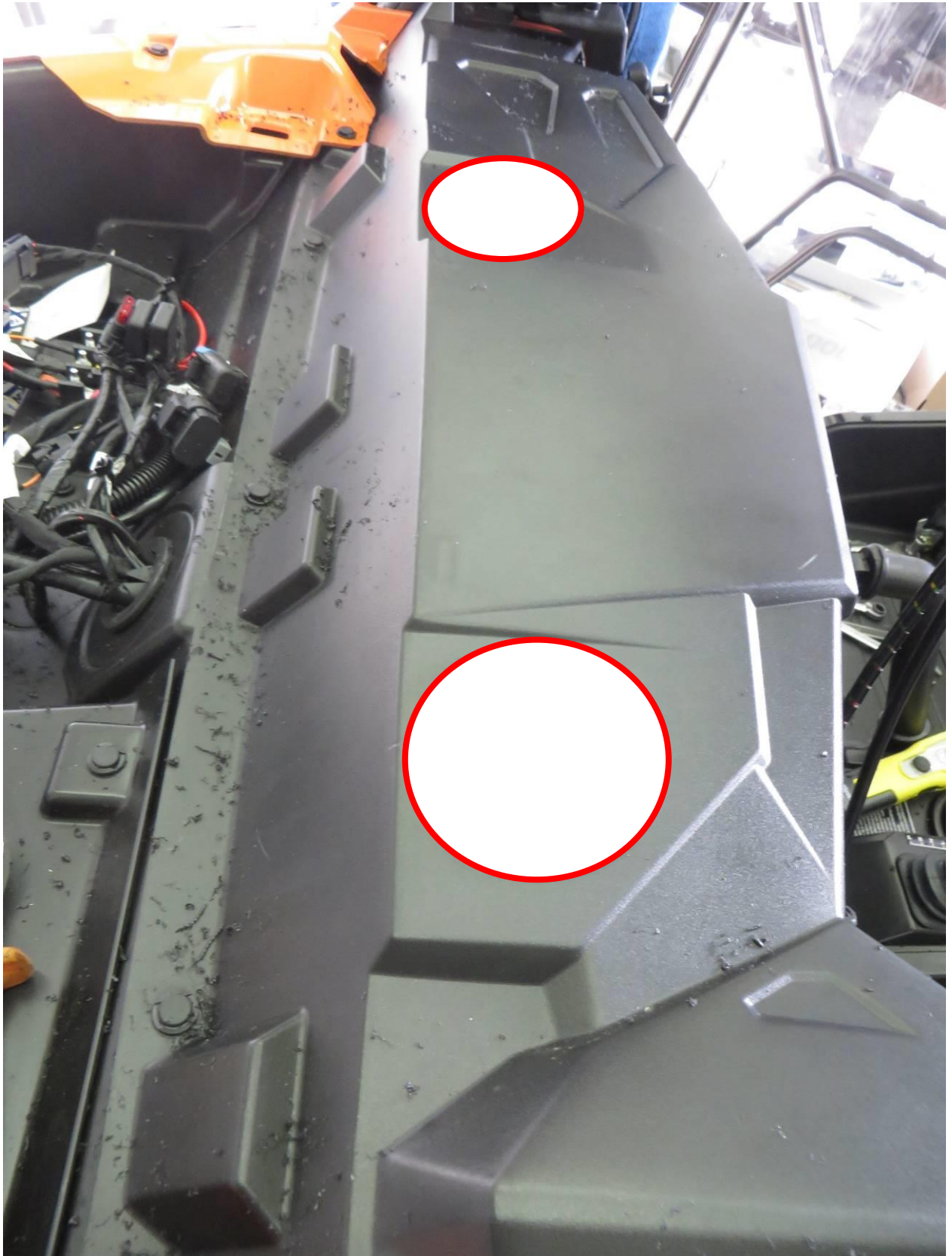


IMPORTANT

COOLANT FROM THE ENGINE COOLING SYSTEM SHOULD BE DRAINED.
IT IS ABSOLUTELY NECESSARY TO TAKE OUT THE RUBBER PLUGS FROM THE HEATER TUBES!!!



Drill holes $\varnothing 77\text{mm}$ into the dashboard for the air vents red circles.



Lead the hot water hose through the central console back to the engine bay (red arrow) and the other hose to the front cooler (blue arrow).



14

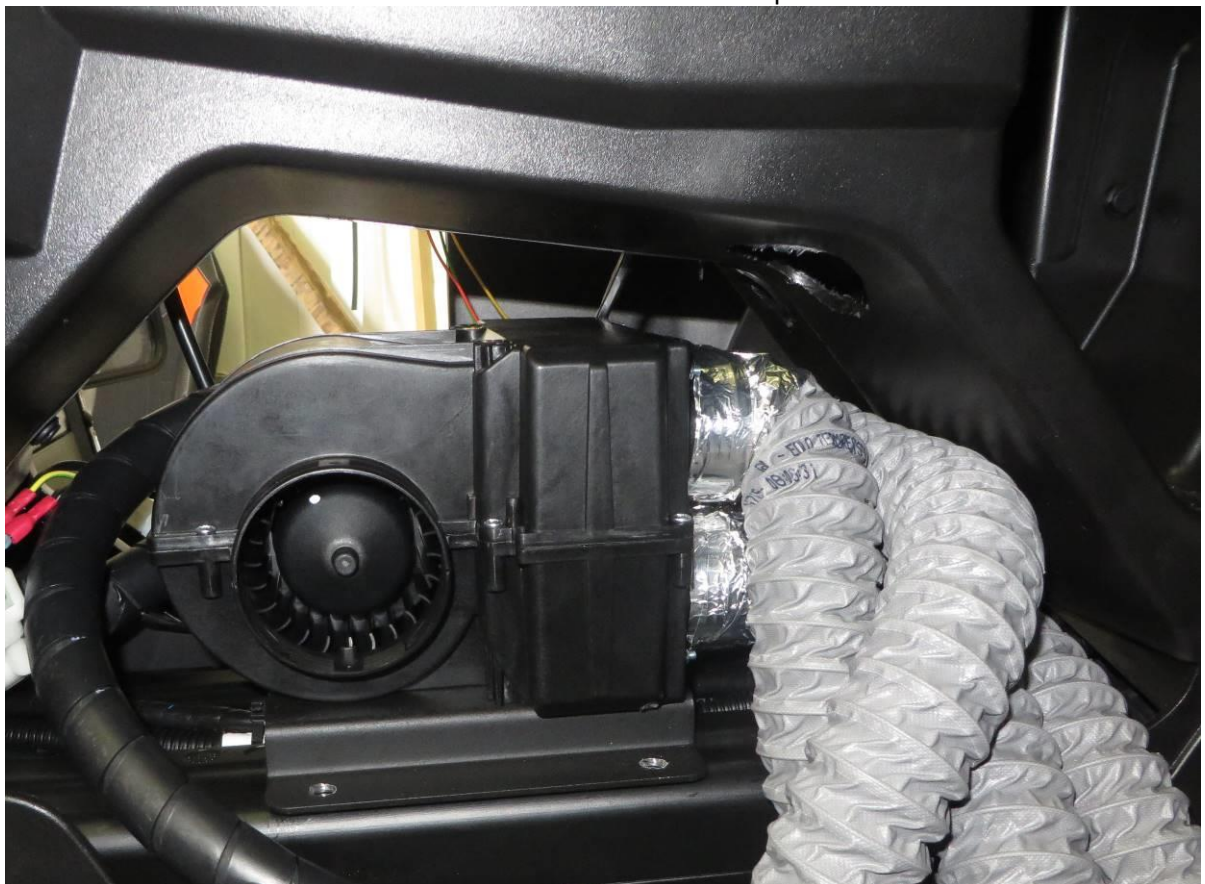
Cut the holes $\varnothing 50\text{mm}$ into the cenral console for the hot air hoses PVC and lead the hot air hoses PVC uder the dashboard to the prepared holes for air vents.



Cut the holes for the heater hoses into the central console bottom cover (red circles).



Install the central console bottom cover back and place the heater on it.



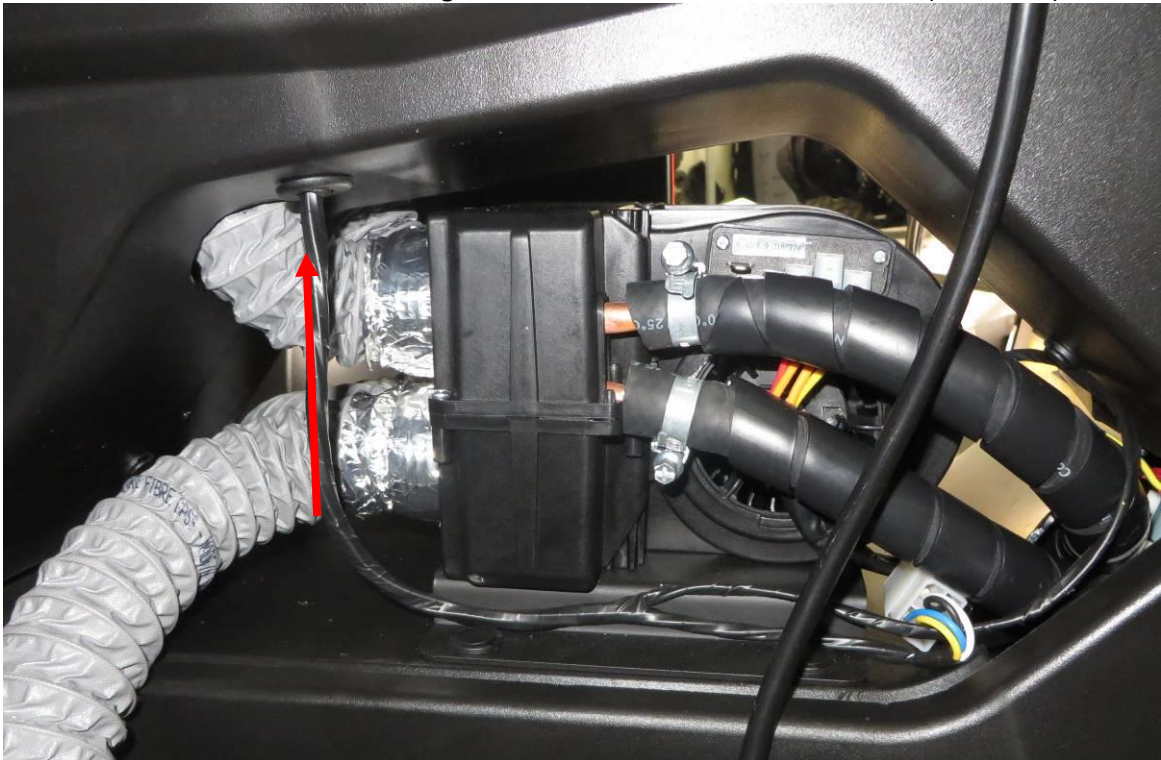
Connect the heter harness branch to the heater and el. valve harness branch to the el. valve.



Fix the heater holder to the central console cover with included rubber rivets (red circles) on both sides.



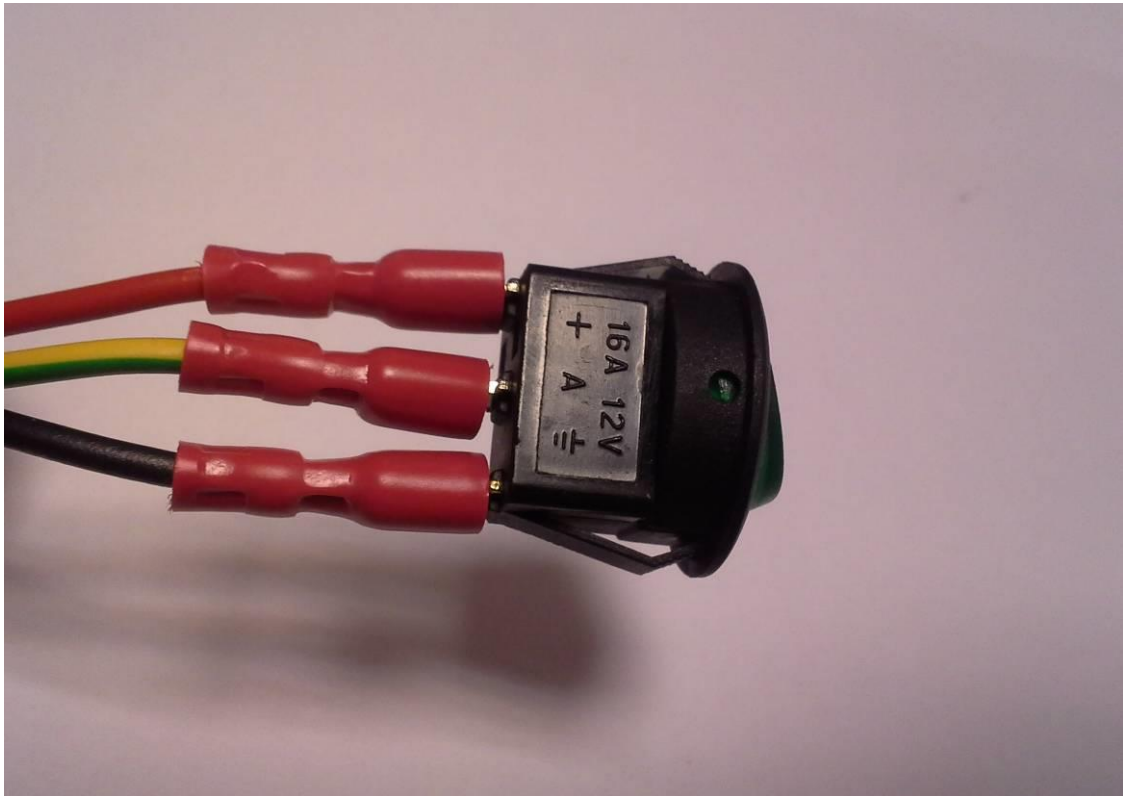
Lead the heater harness alongside hot air tubes under the dashboard (red arrow).



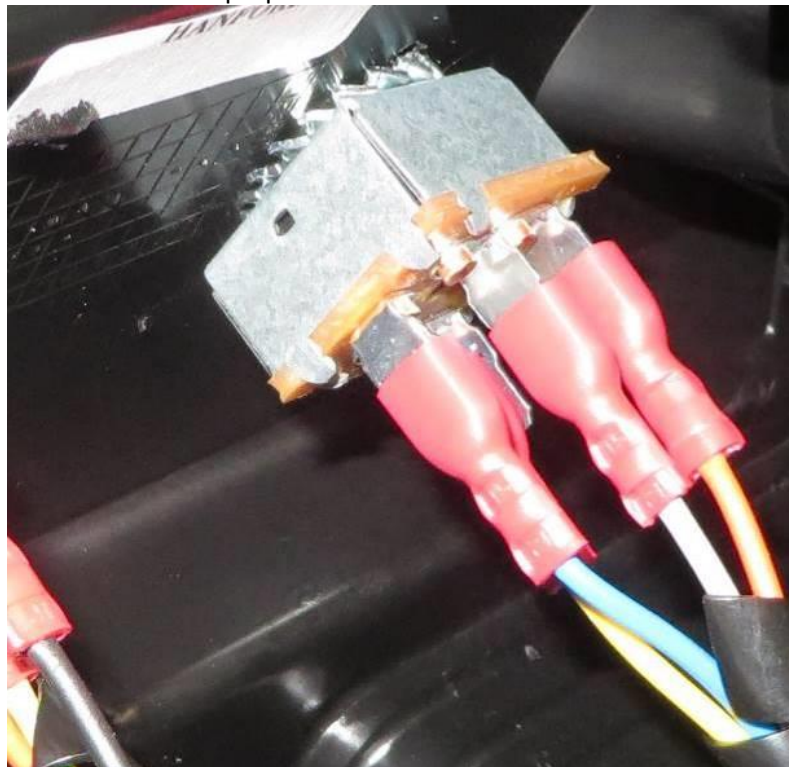
Drill 1 hole \varnothing 11,5-14mm (0,45-0,55 in) and 2 holes \varnothing 2,5-4 mm (0,1- 0,16 in) into the dashboard in accordance with the ventilator switch base (blue circle). Drill hole \varnothing 21 mm (red circle) for electromagnetic vent switch.



Pull the valve switch harness branch through the hole from previous step and connect the branch with the switch. Detail of connection.



Lead the switch harness branches from the heater to the UTV switch panel. Connect the heater switch body with the harness branch. Insert the switch body with the harness and with the serrated-lock washer into the prepared hole from inside Detail view.

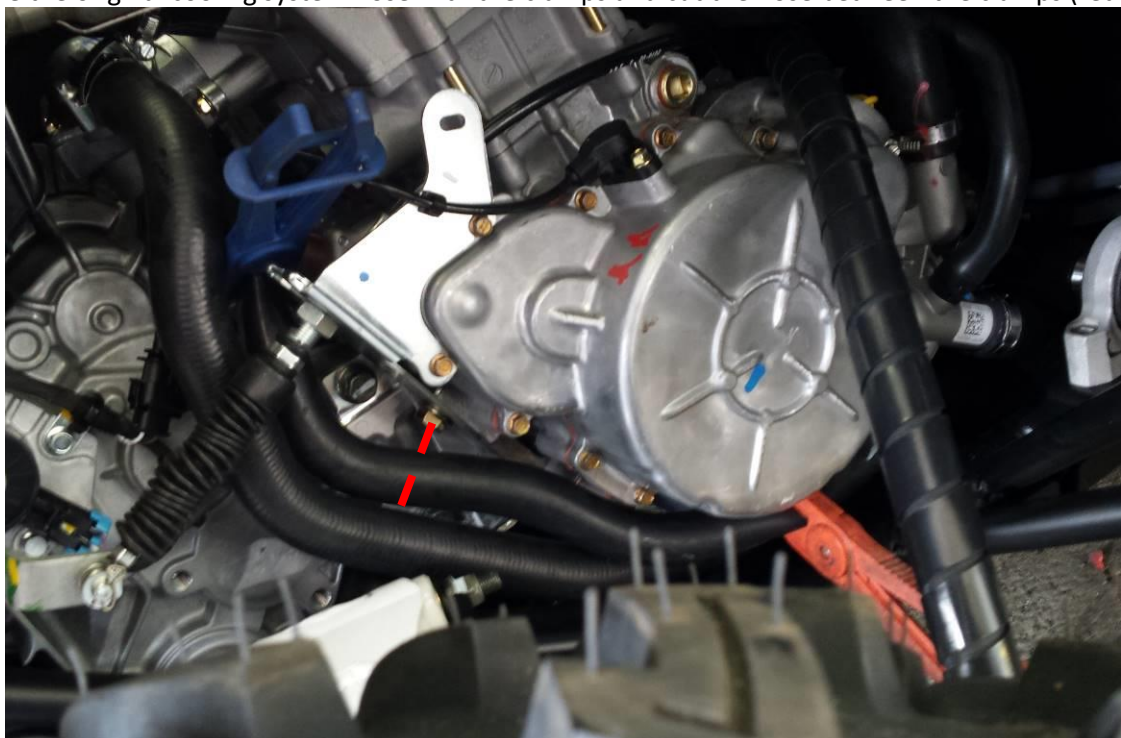


Detailed view of the switches installed.

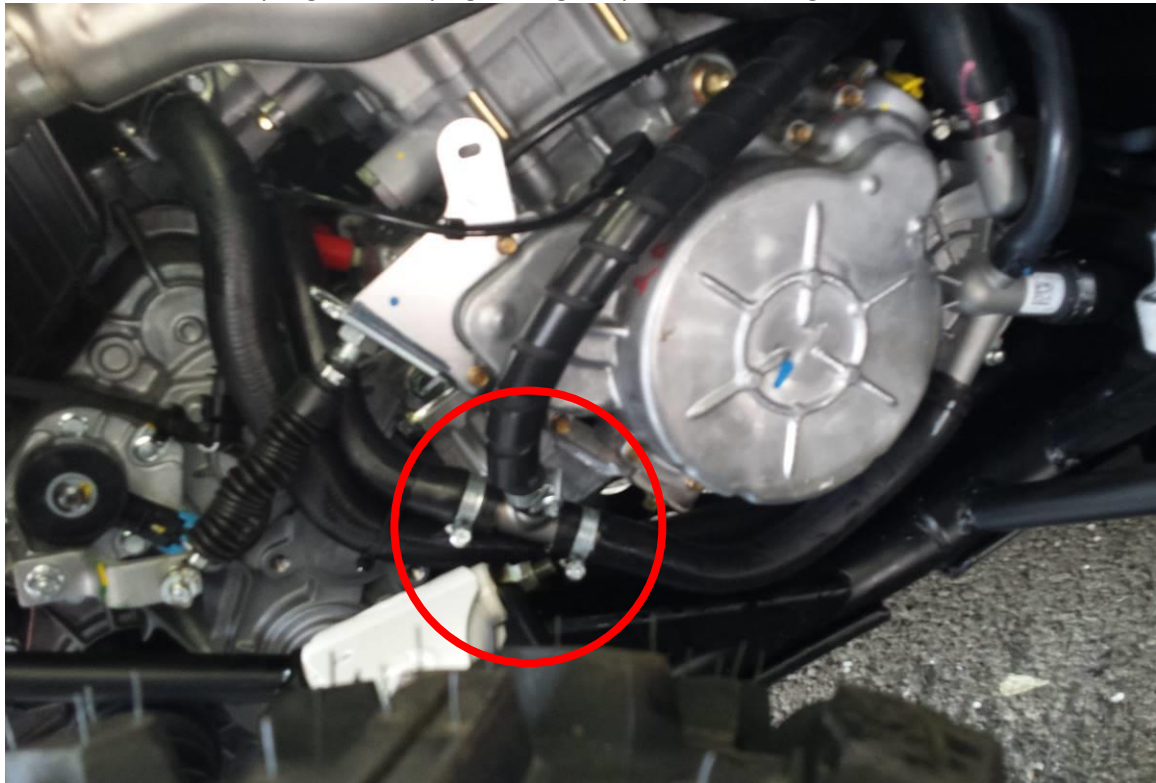


19

Secure the original cooling system hose with the clamps and cut the hose between the clamps (red line).

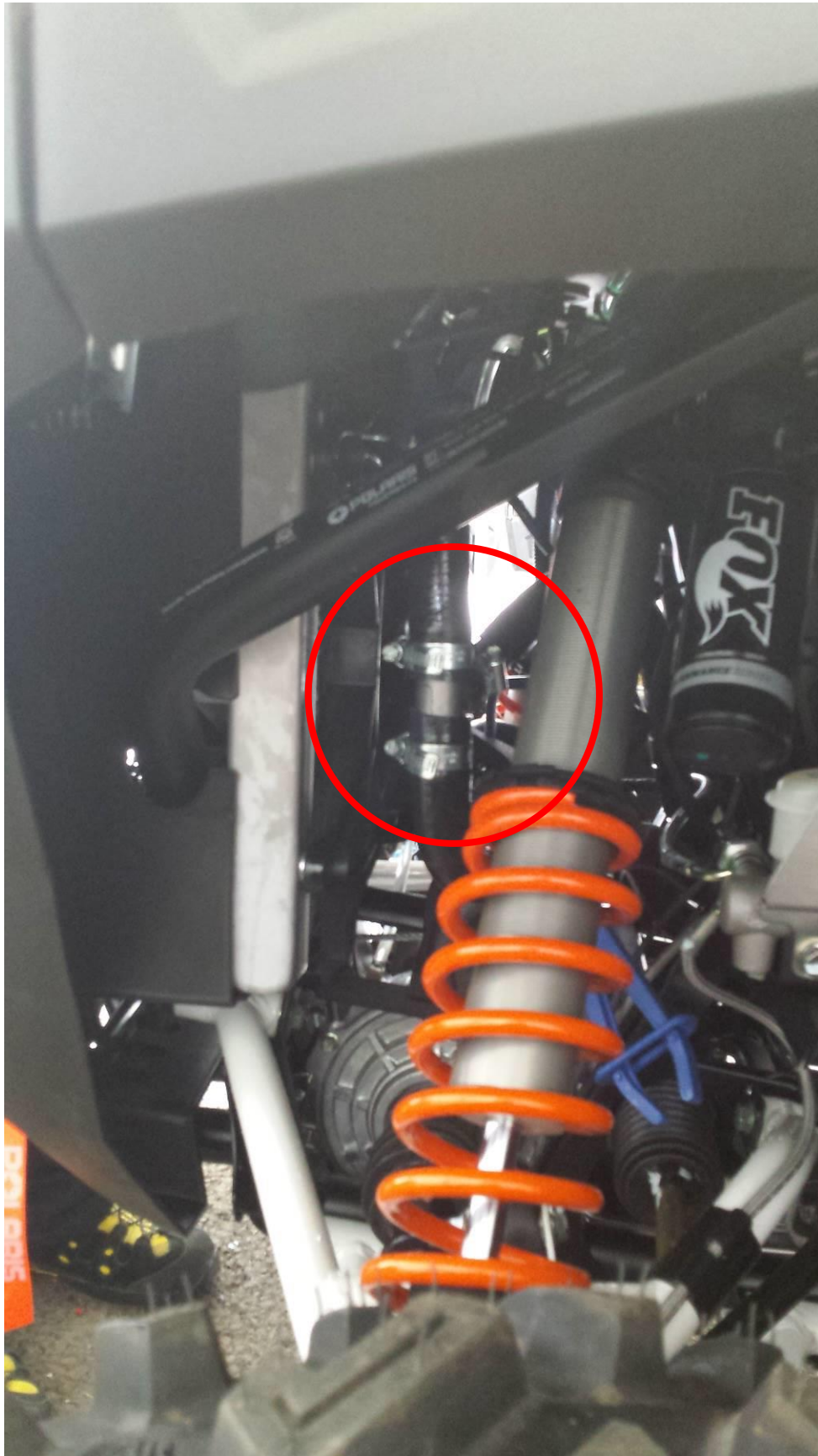


Install the "Y" coupling into the hose and fix with tightening straps. Install the heater hose onto the coupling and fix by tightening strap (red circle). Tighten hard.



SEE NEXT PAGES

REPEAT PREVIOUS STEPS WITH THE FRONT HEATER HOSE.



Lead the hot air hoses PVC under the dashboard and through the air vents holes. Install the air vent onto the hoses and fix by tightening straps. Press the air vents into the dashboard.



22

Install the heater covers in position and lead the bottom hot air hoses through on both sides.



Install air vent onto the hot air hose PVC, fix with tightening strap and press the air vent into the cover on both sides. RIGHT VIEW



LEFT VIEW



Connect the heater harness to the original electro installation.



It is absolutely necessary to bleed the air out of the UTV's engine cooling system. Incomplete bleeding of cooling system can result in engine damage. If you don't have sufficient experience with this process, we strongly recommend professional service technician assistance. We are not responsible for damages when cooling system bled incompletely. Please note that additional heater system will absorb more than 2 liters of coolant fluid.

- 1. Important: After the heater system installed check the system for leaks. Turn on the electric vent switch and confirm that the engine is cold. Start the engine, open bleeding valve and wait until engine warms up. Important: Always check engine temperature – if it overheats turn off engine.***
- 2. To achieve engine operating temperature depress the accelerator to increase the engine RPM. This will increase the pressure and flow of the water pump forcing more coolant through the heater. After operating temperature reaches turn off engine and open it. Trapped air should come out from heater system throughout bleeding valve. Repeat this procedure until heater/cooling system is completely bled out.***

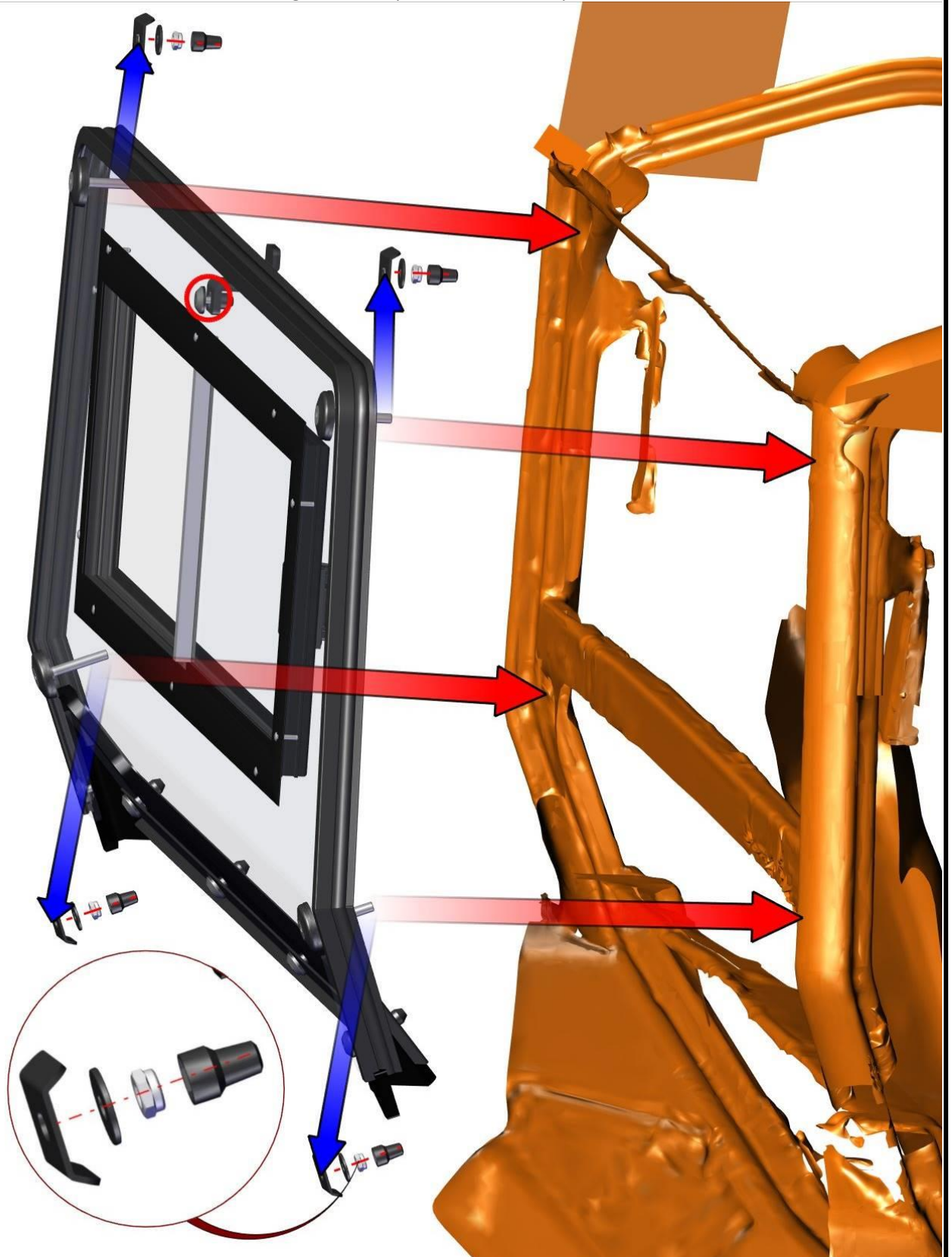
The DFK Cab heater, like the heater in a car, generates heat from the vehicle's engine.

In nearly all cases, the heater should generate enough heat from your UTV, side by side, or tractor engine that you may need to turn the heater off periodically otherwise the air in the cabin may be too hot.

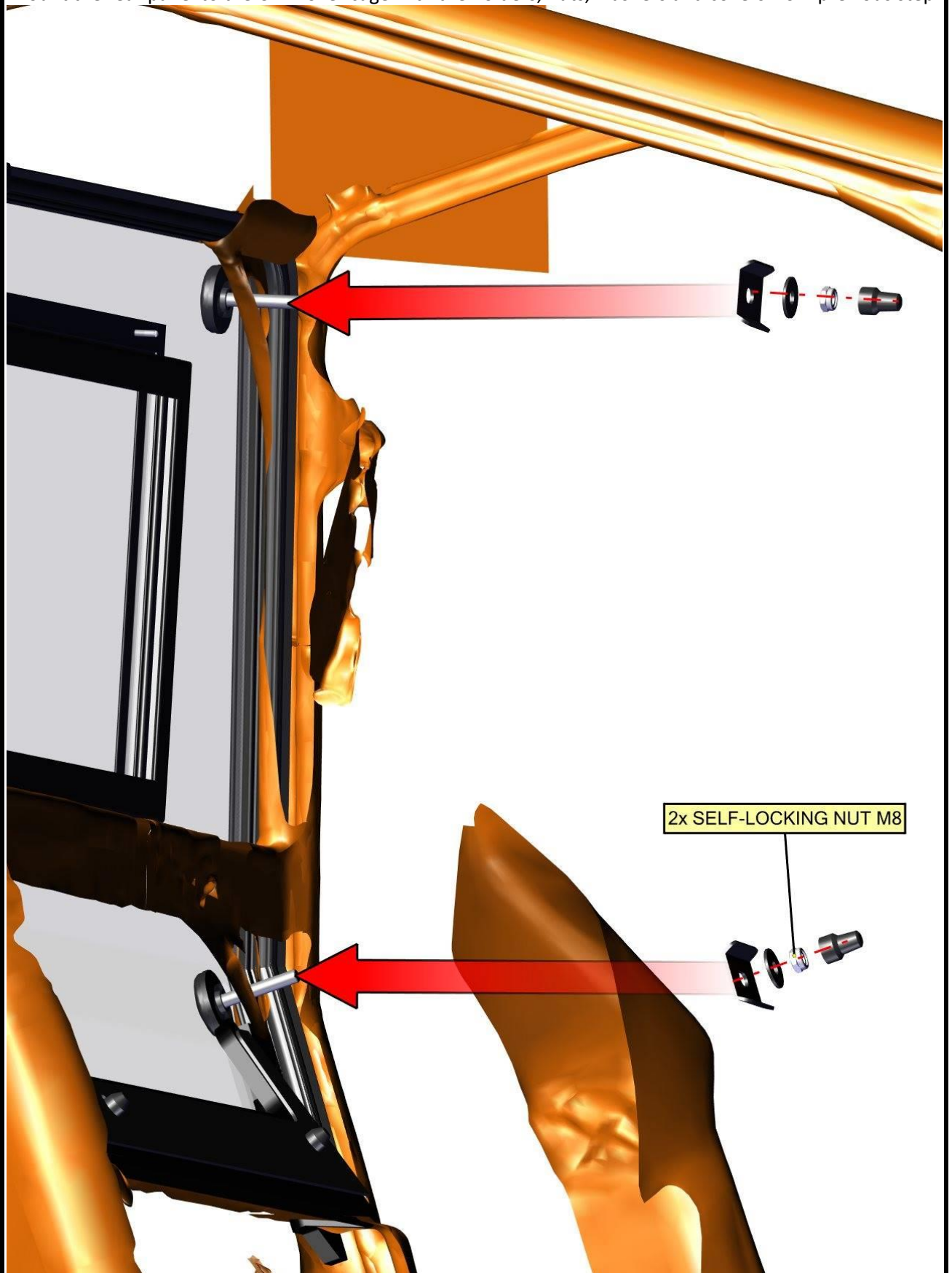
It is important to check the coolant level regularly at least 4-5 times during the first several days of operation and fill as necessary until the coolant level has stabilized. The heater will draw and retain coolant, sometimes at the expense of coolant to the engine. This can cause engine overheating if not managed properly.

REAR PANEL

Uninstall nuts, washers and holder from rear fixing assemblies (blue arrows) save these for later use and align the rear panel into correct position.

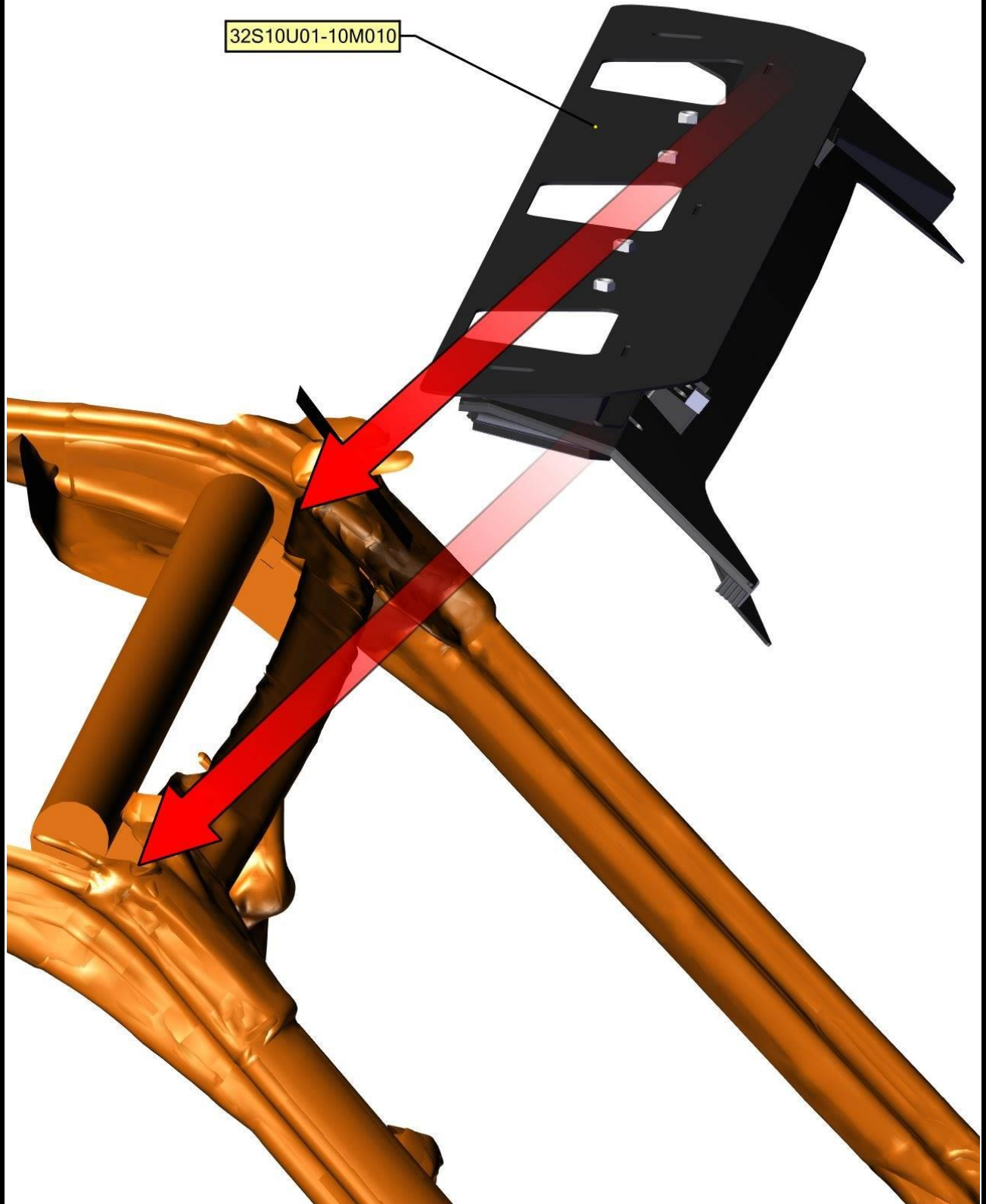


Mount the rear panel to the UTV roller cage with the holders, nuts, washers and covers from previous step.

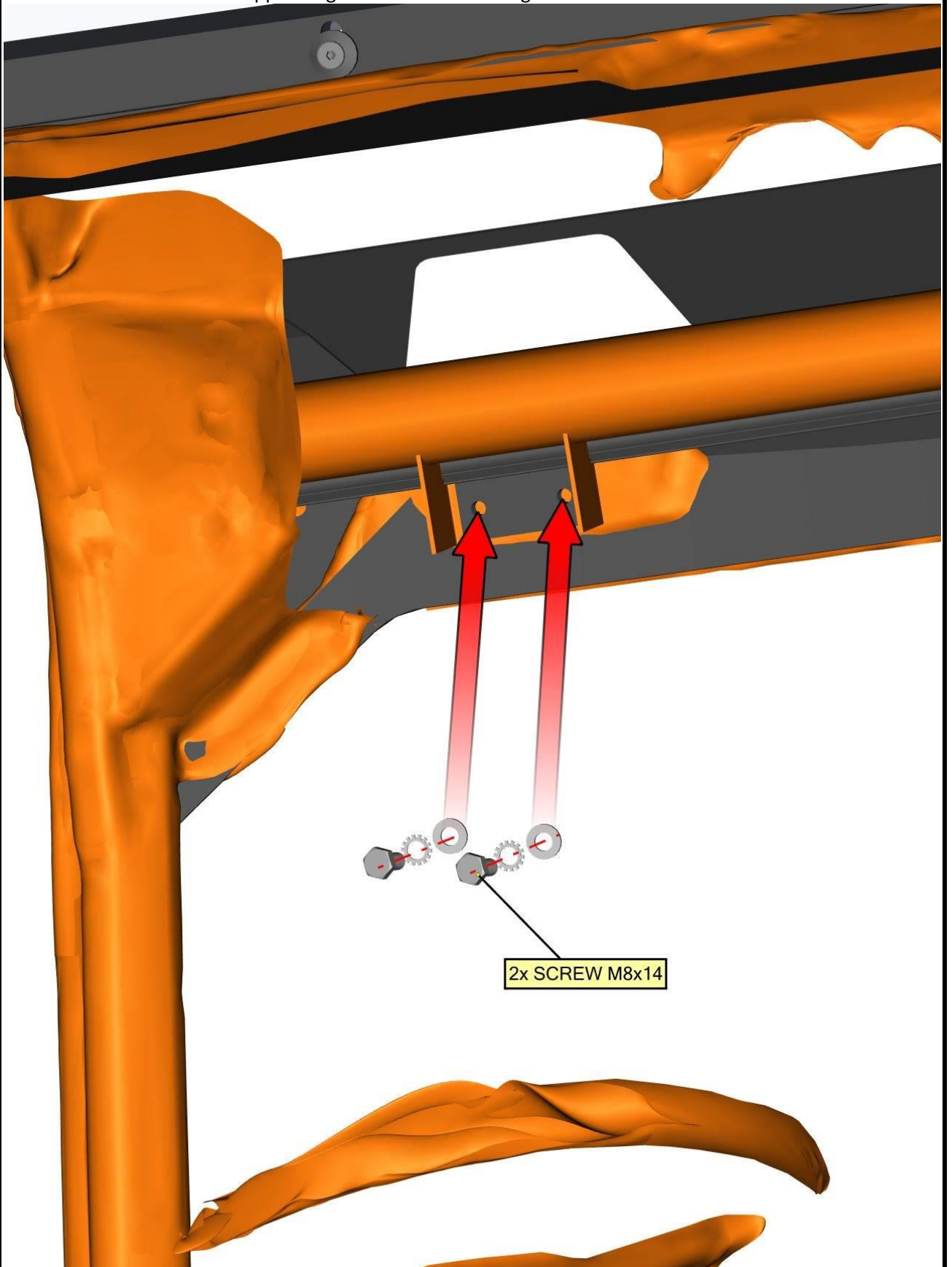


FRONT PANEL

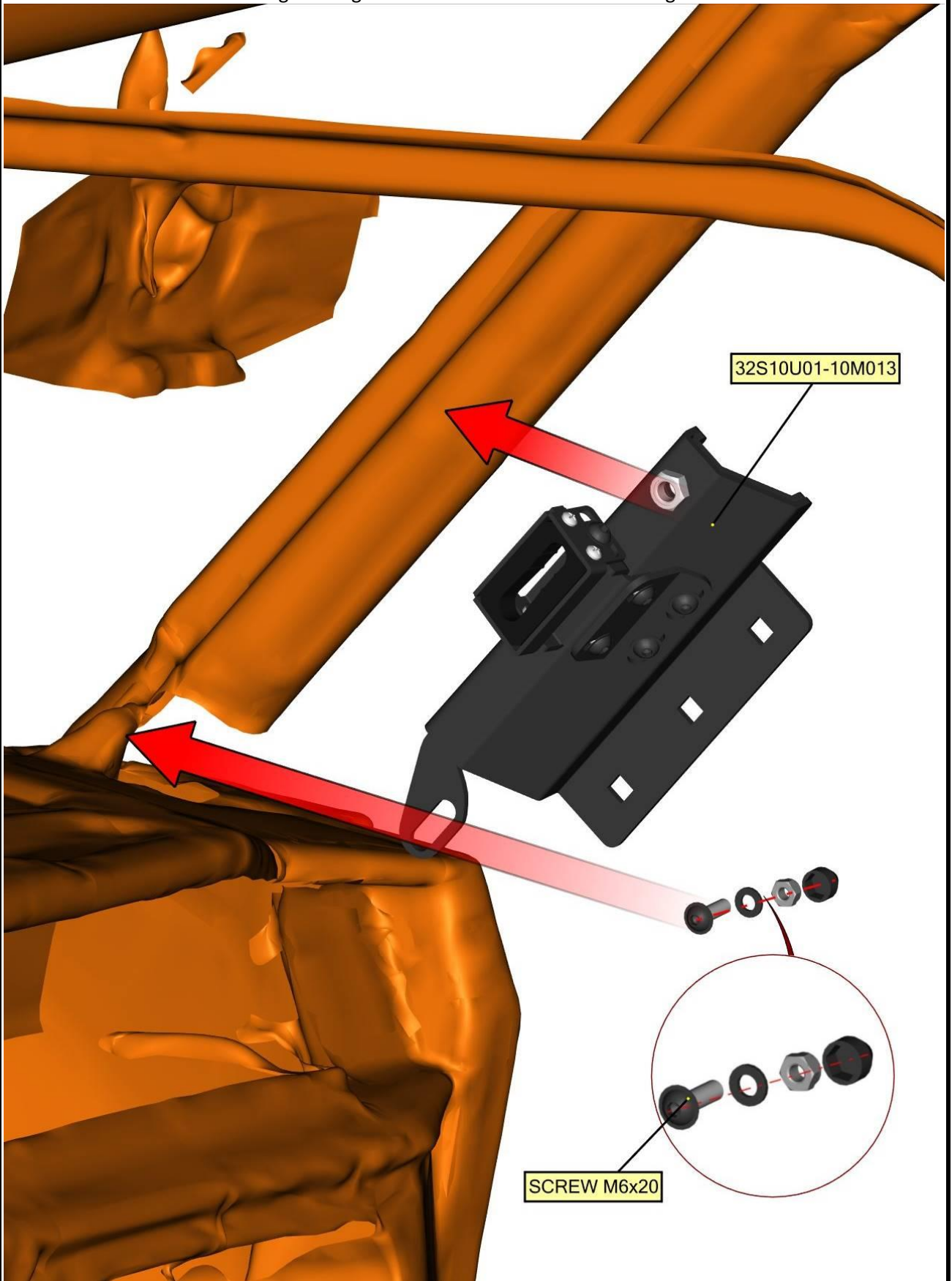
Align the front upper ledge onto the UTV roller cage.



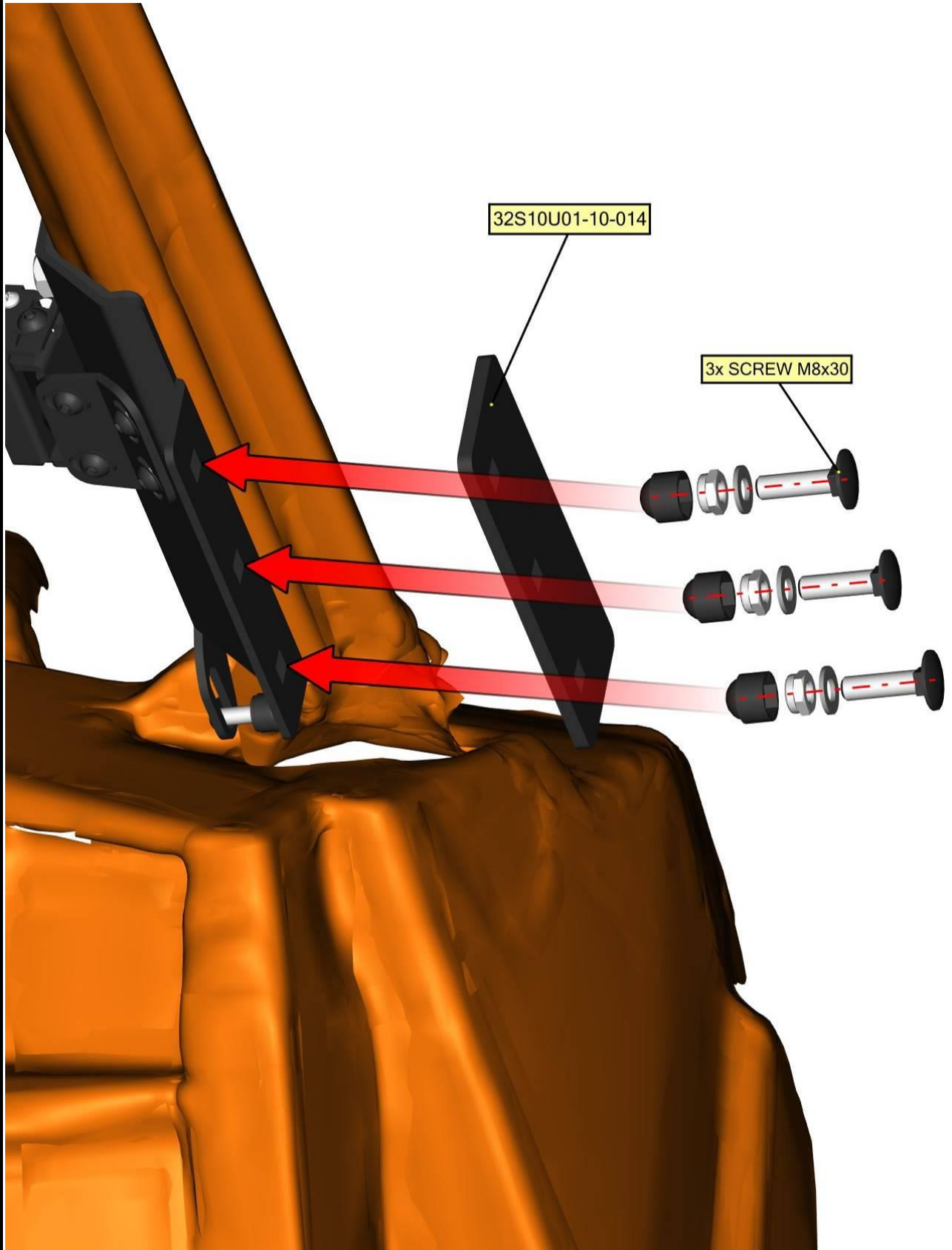
Mount the front upper ledge to the UTV roller cage with included screws and washers.



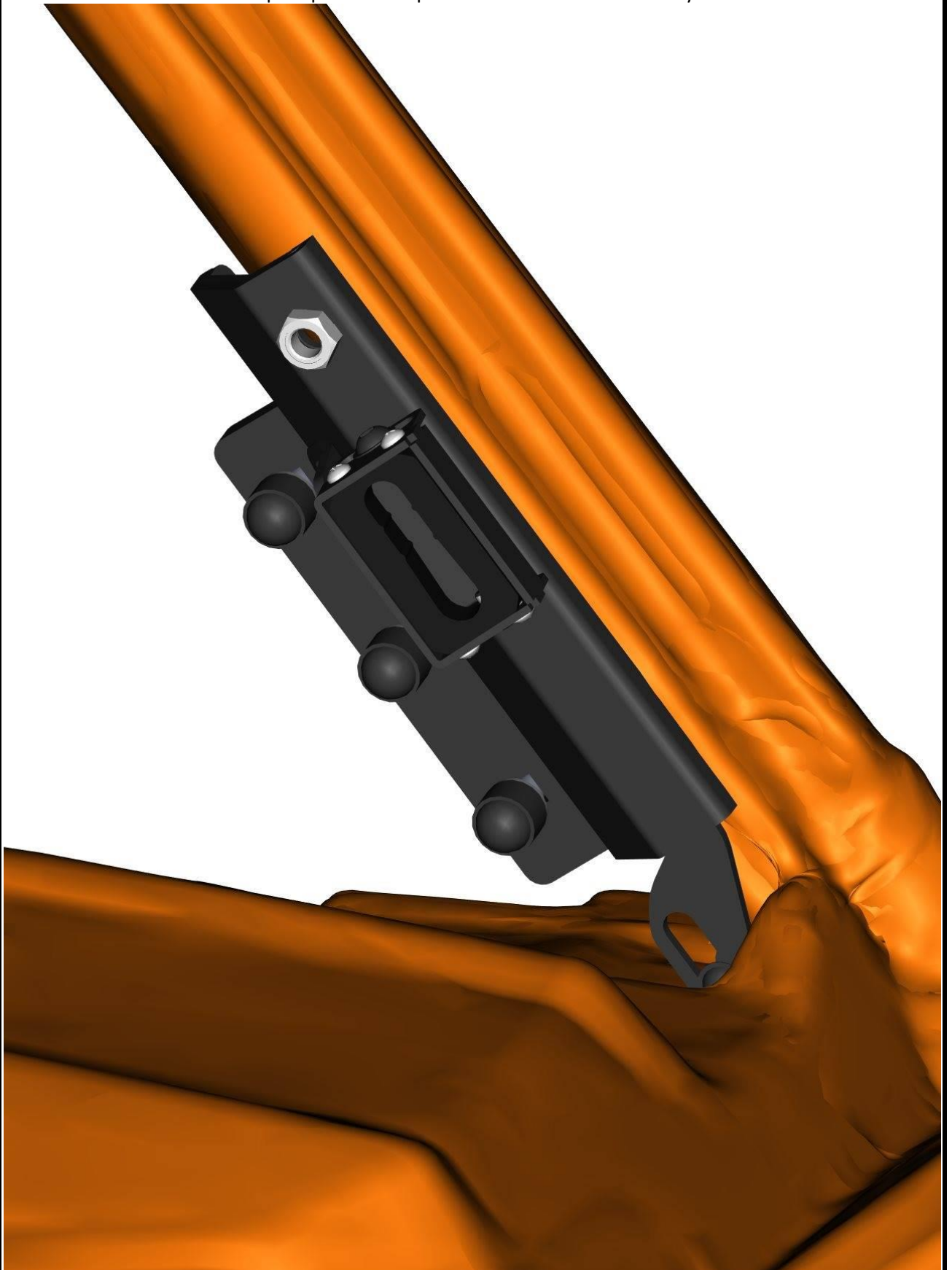
Align the right front corner to the UTV roller cage.



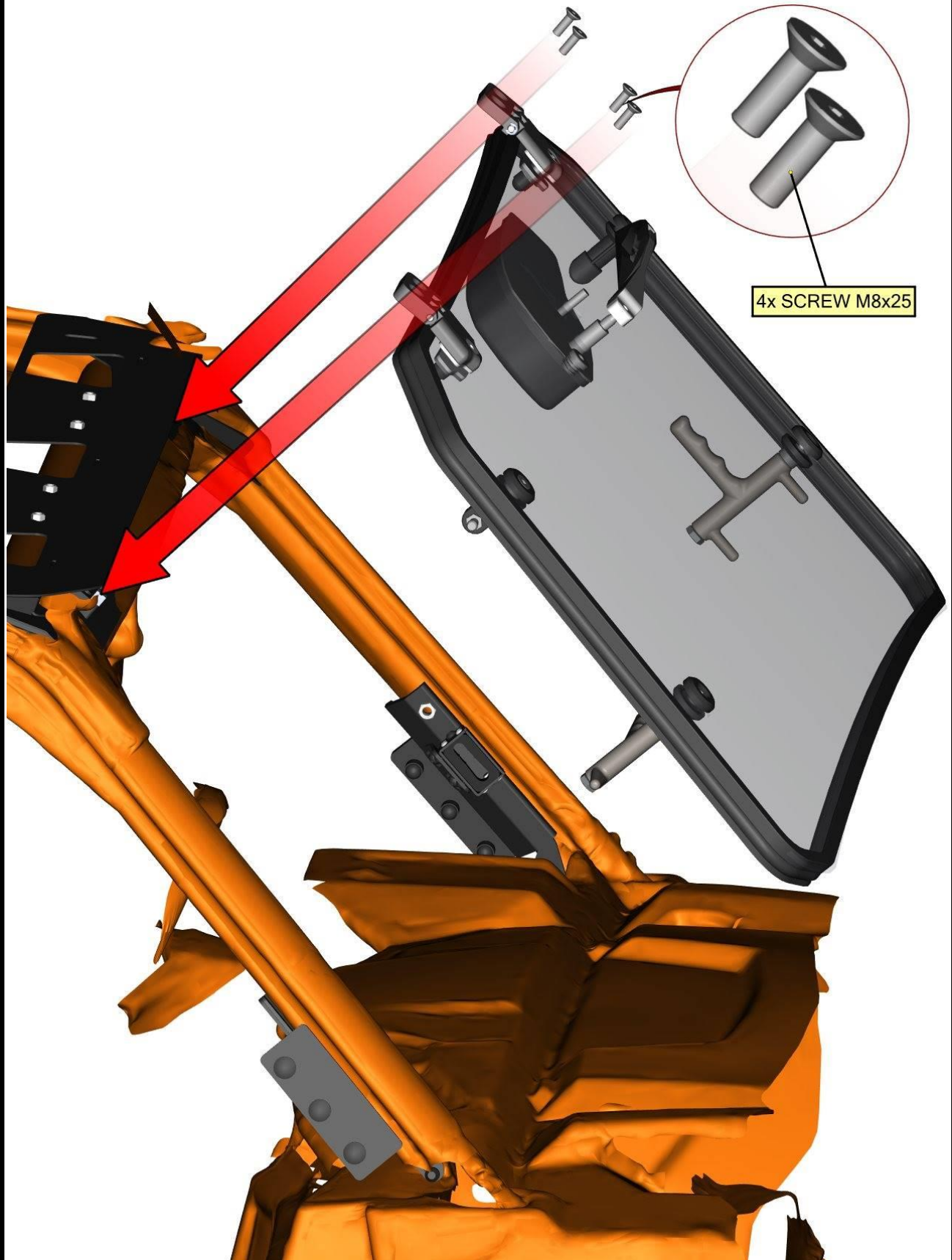
Mount the right corner assembly to the UTV roller cage with the corner holder, screws, washers, nuts and covers.



Repeat previous steps with the left corner assembly.



Mount the front glass assembly to the front upper ledge with included screws.



ELECTROINSTALLATION 2.

WIPER/WASHER 2.

Connect the wiper harness branch to the wiper motor. DETAILED VIEW



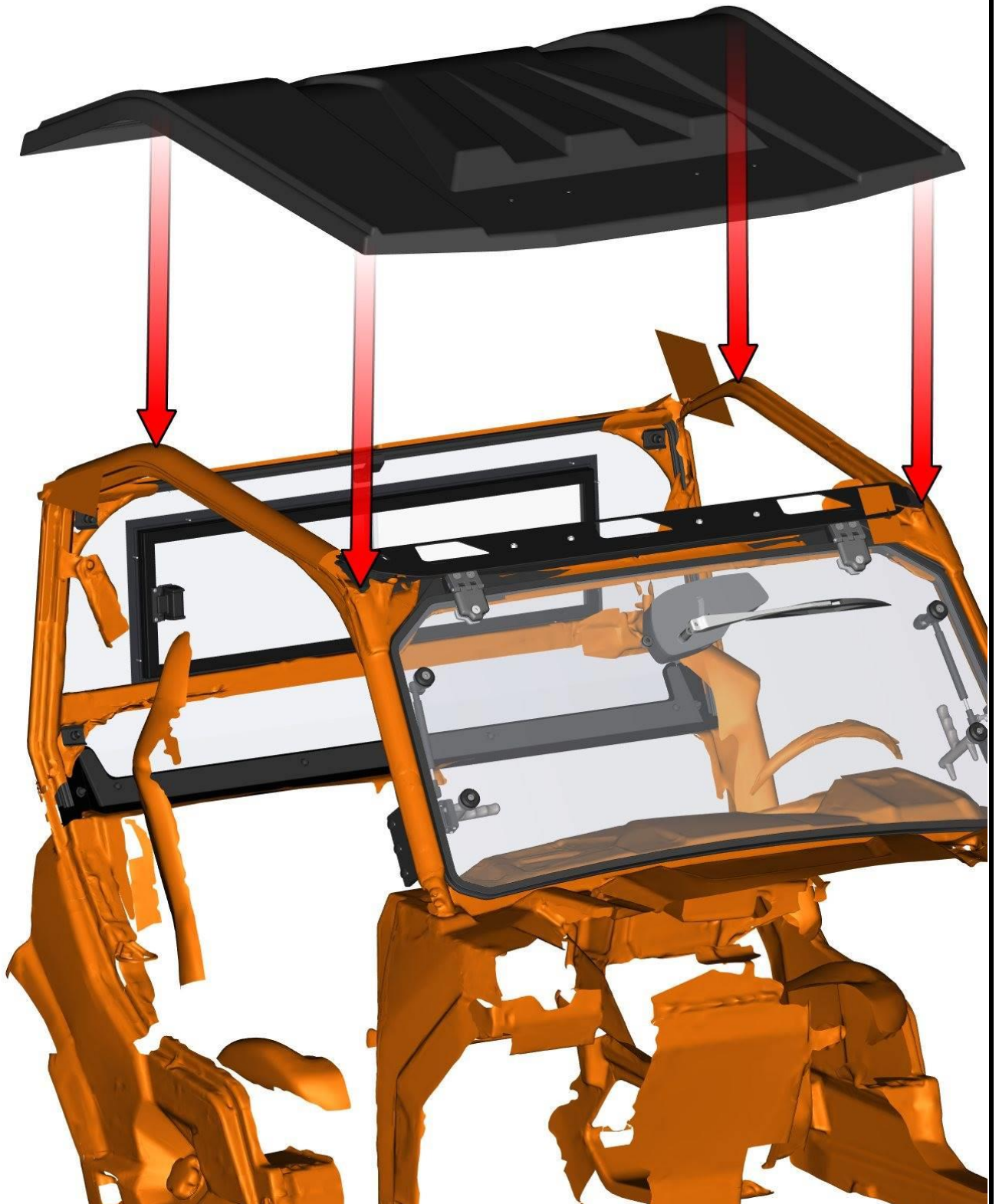
Lead the washer tube to the washer jet, cut the washer tube to correct length and connect it to the jet.
Connect the wiper/washer harness to original electroinstalation.



Fill the washer tank with the washer liquid before first usage.

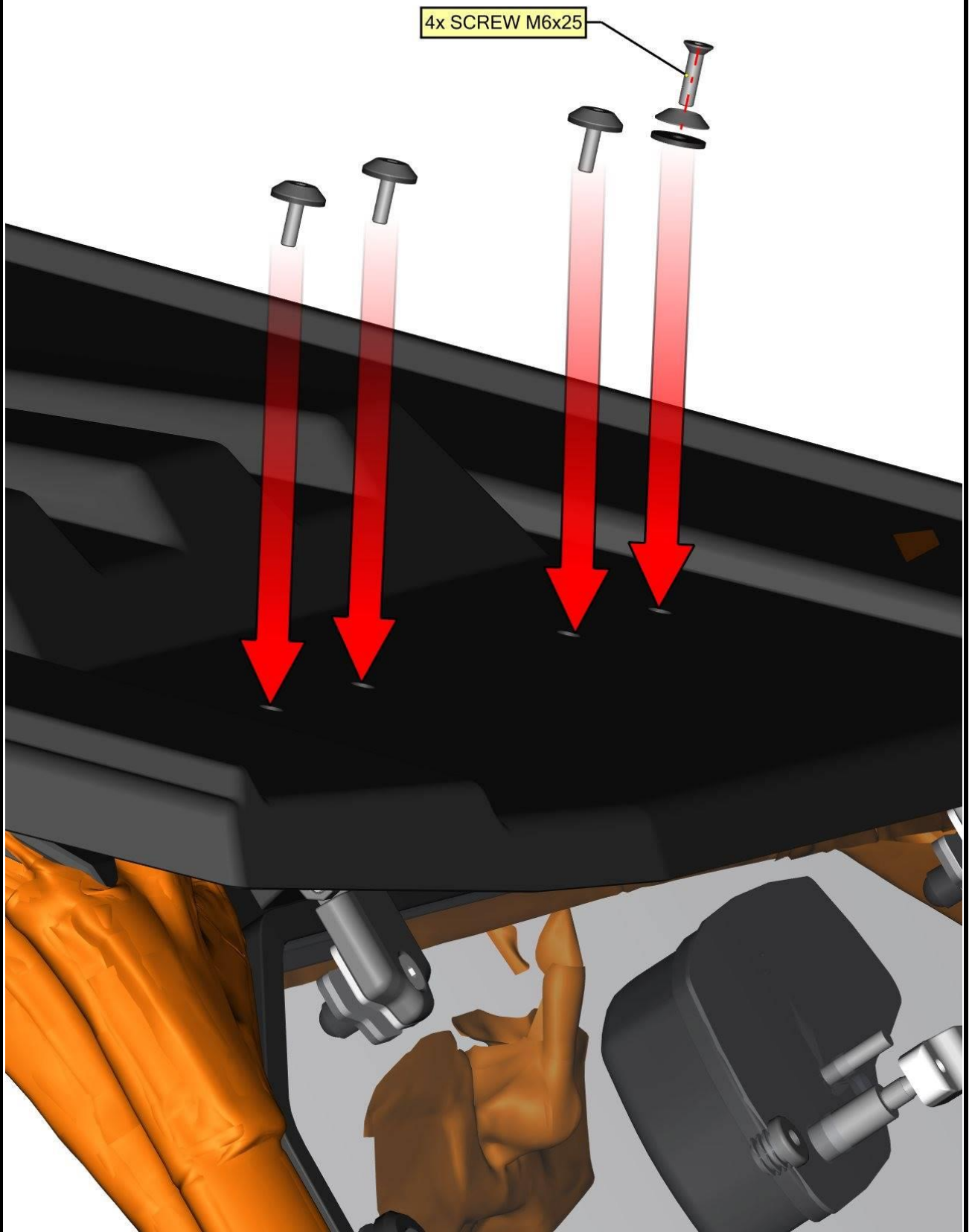
ROOF

Align the roof panel onto the UTV roller cage.

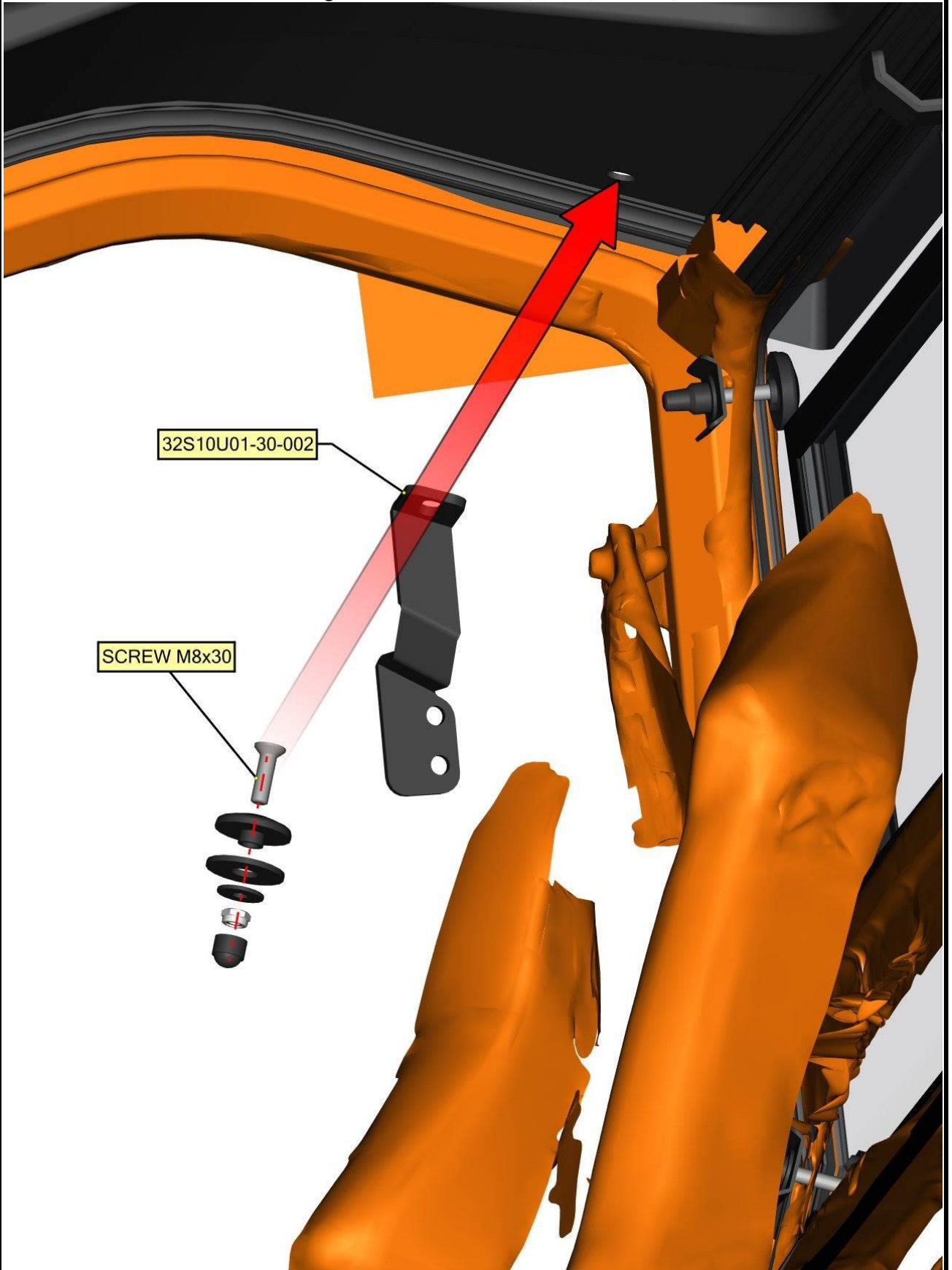


35

Mount the roof to the front upper ledge with included screws and washers.



Mount the roof to the UTV roller cage with included holder, screw, washers, nut and cover on both sides.



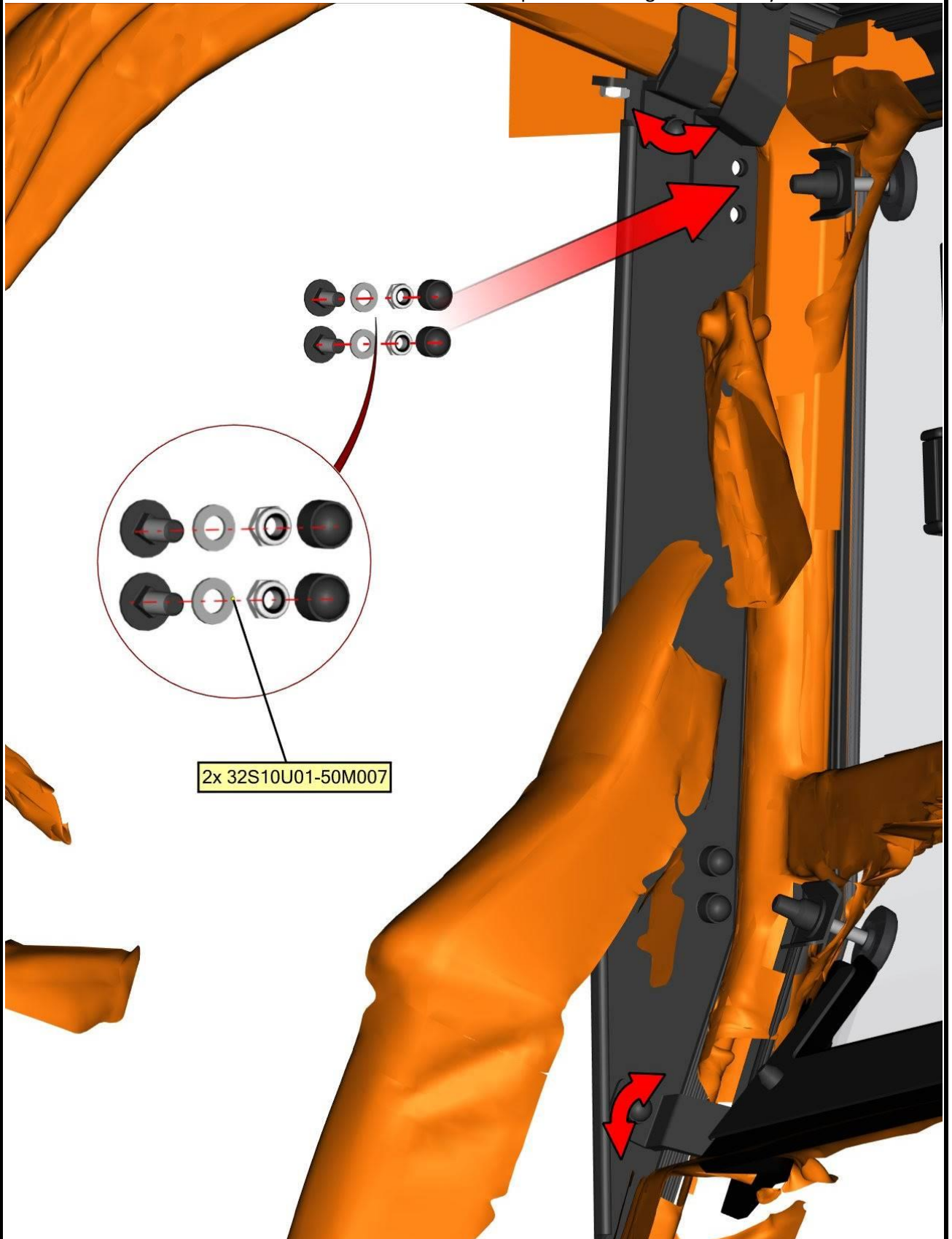
LEFT DOOR + RIGHT DOOR 1.

Loosen the door base holders screws (red circles) and align the right door base into the position.

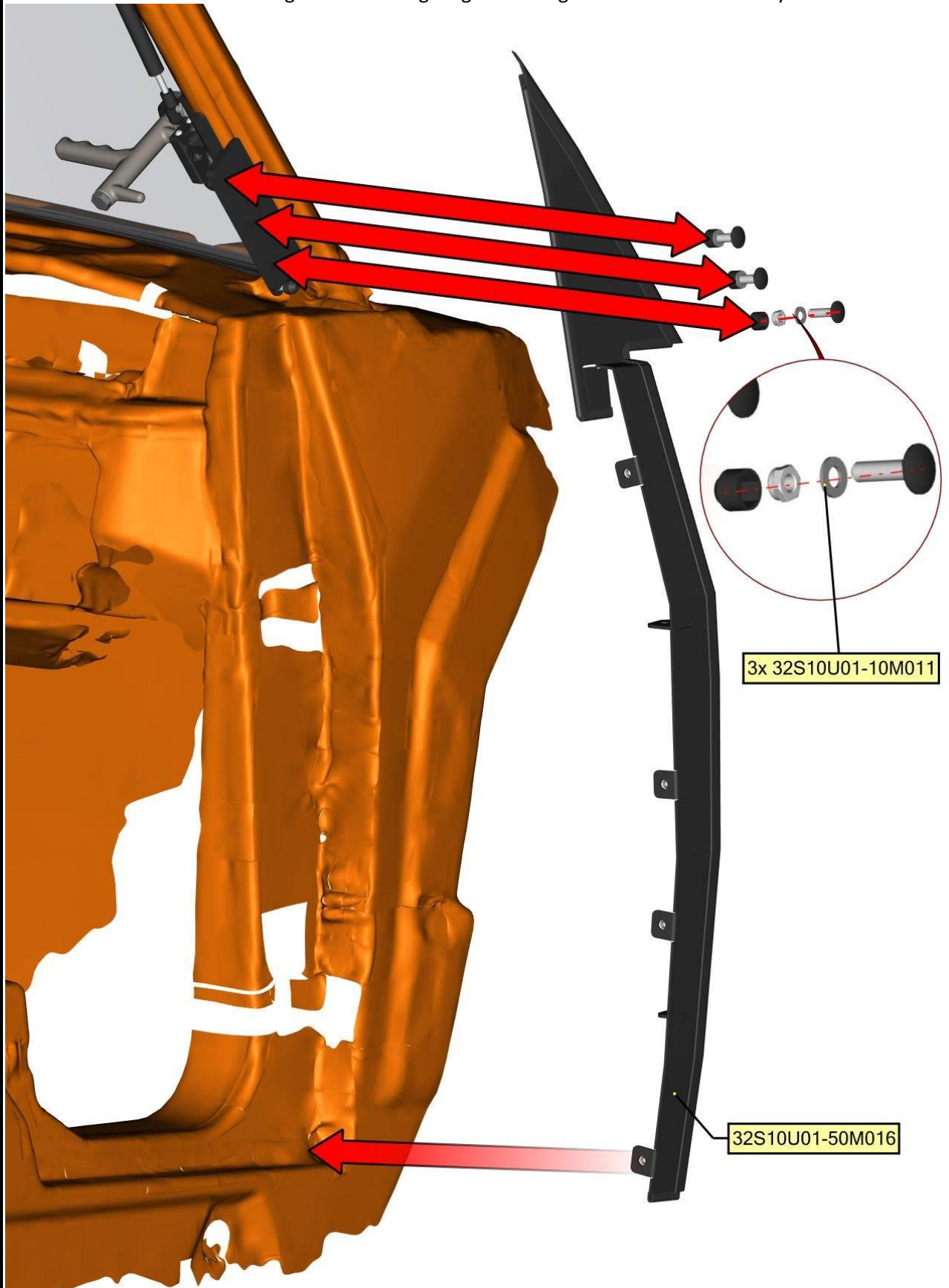
32S10U01-50M007



Mount the right door base to the holder with the included screws, washers, nuts and covers.
Turn the door base holder to the correct position and tighten correctly.

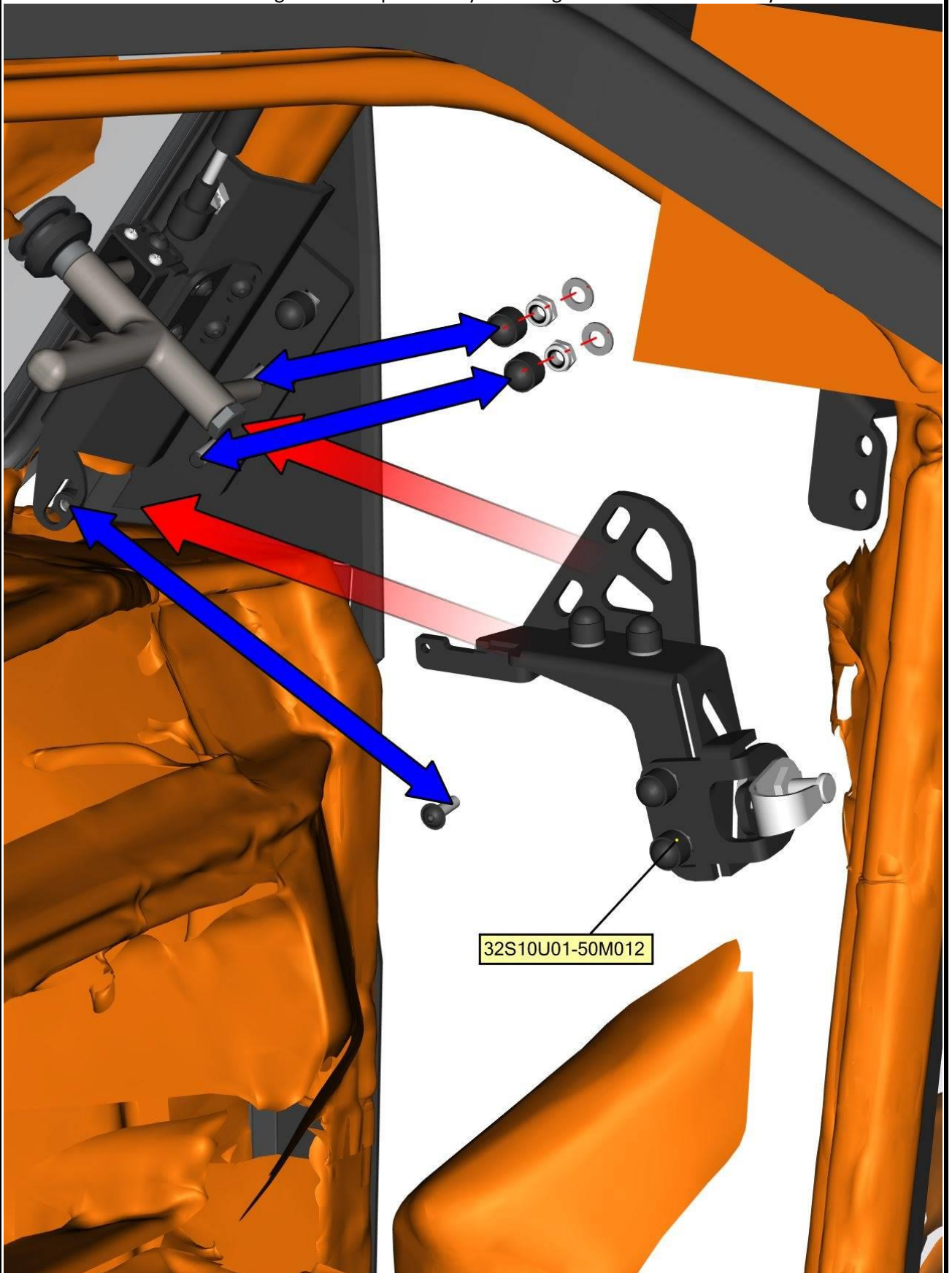


Mount the right front sealing ledge to the right front corner assembly.

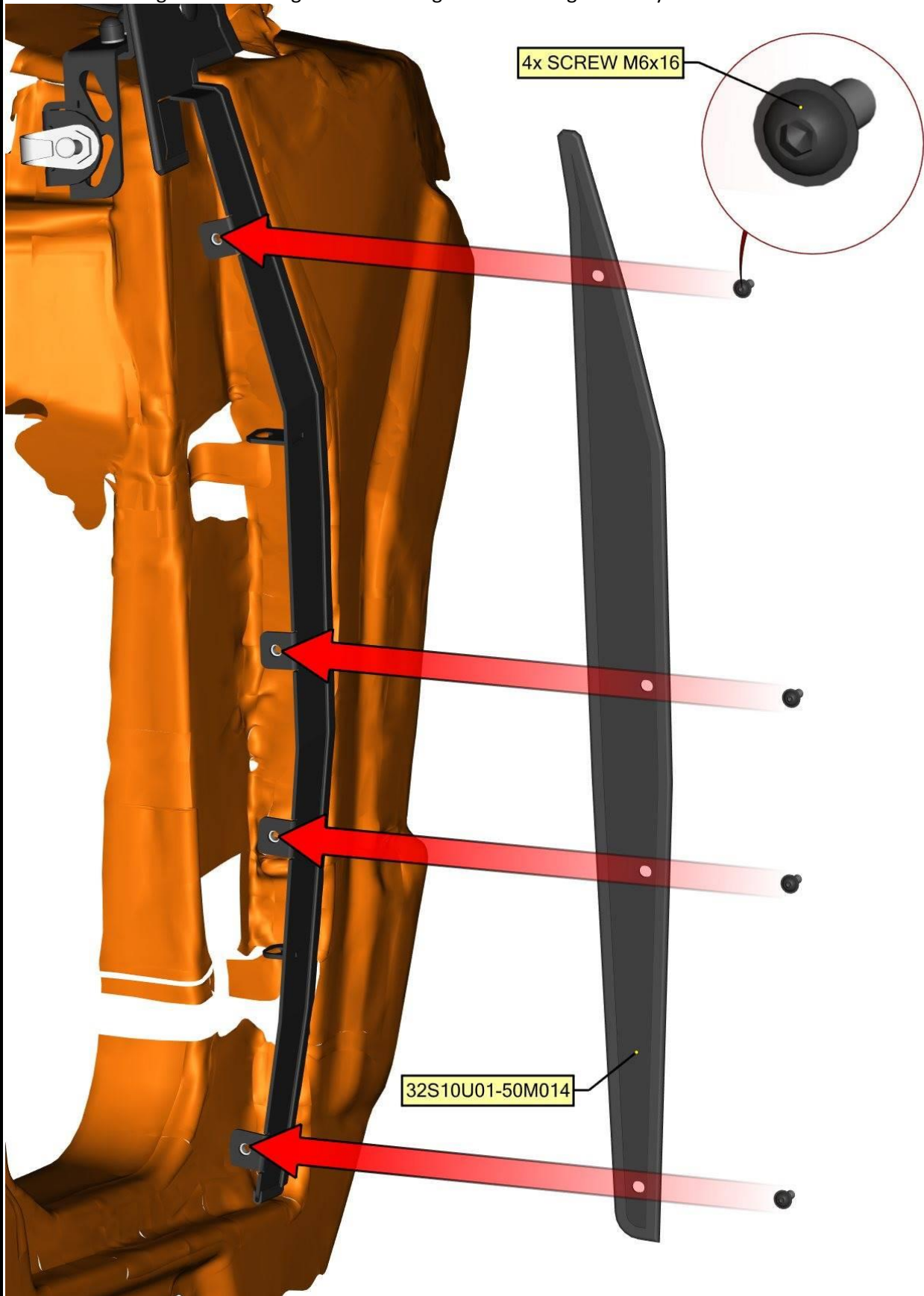


40

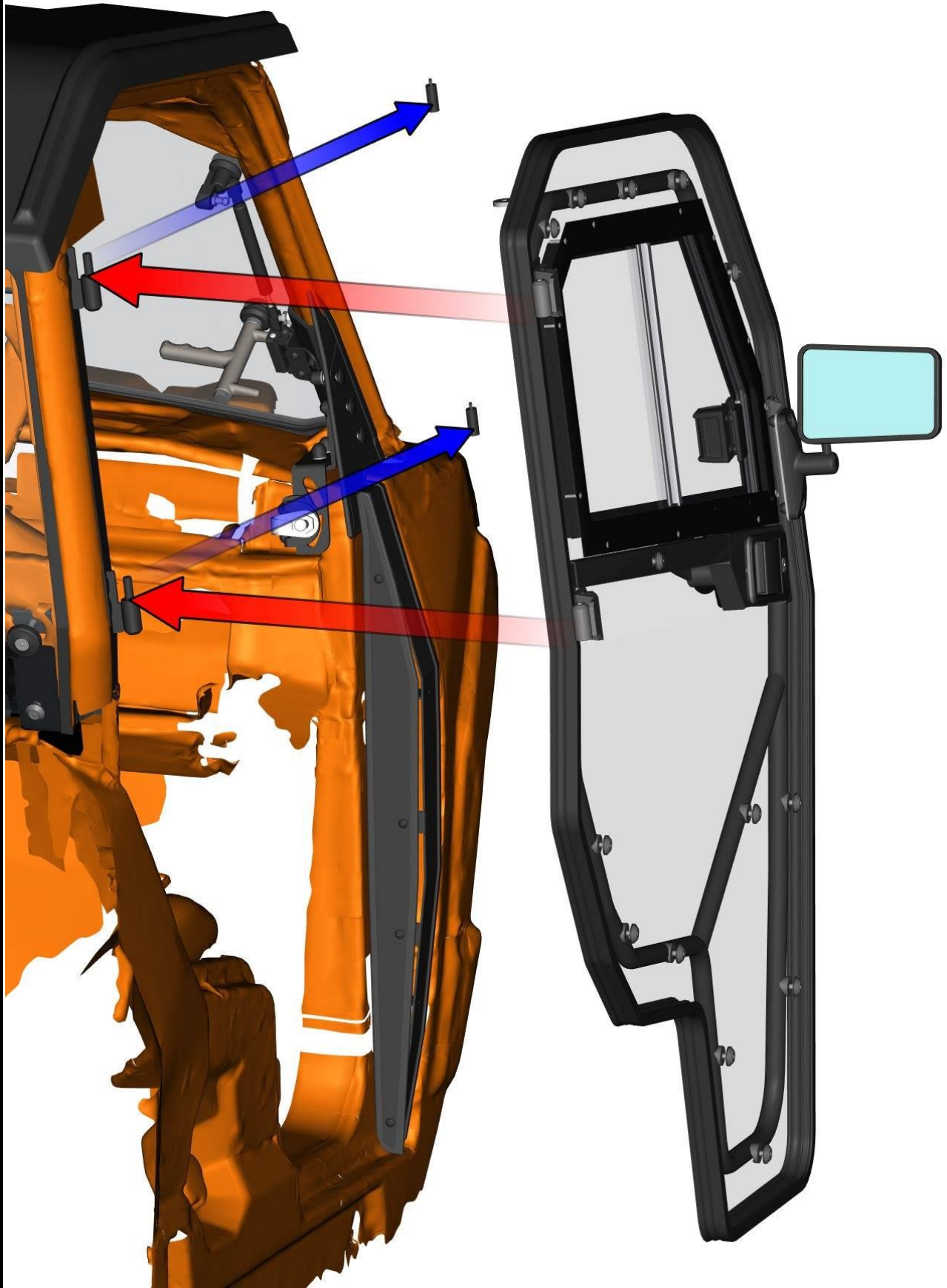
Mount the right door stop assembly to the right front corner assembly.



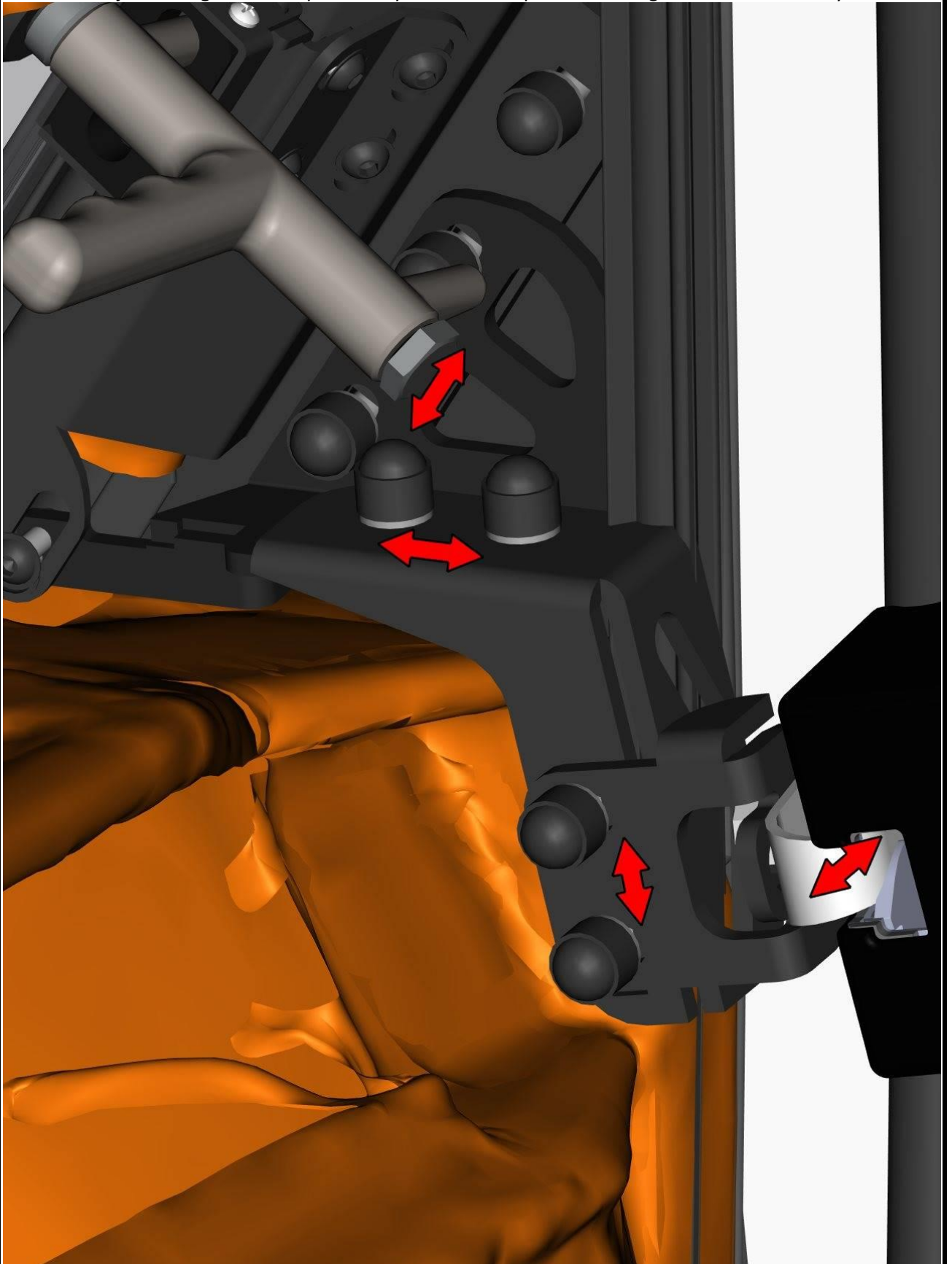
Mount the right front sealing cover to the right front sealing assembly and fix with included screws.



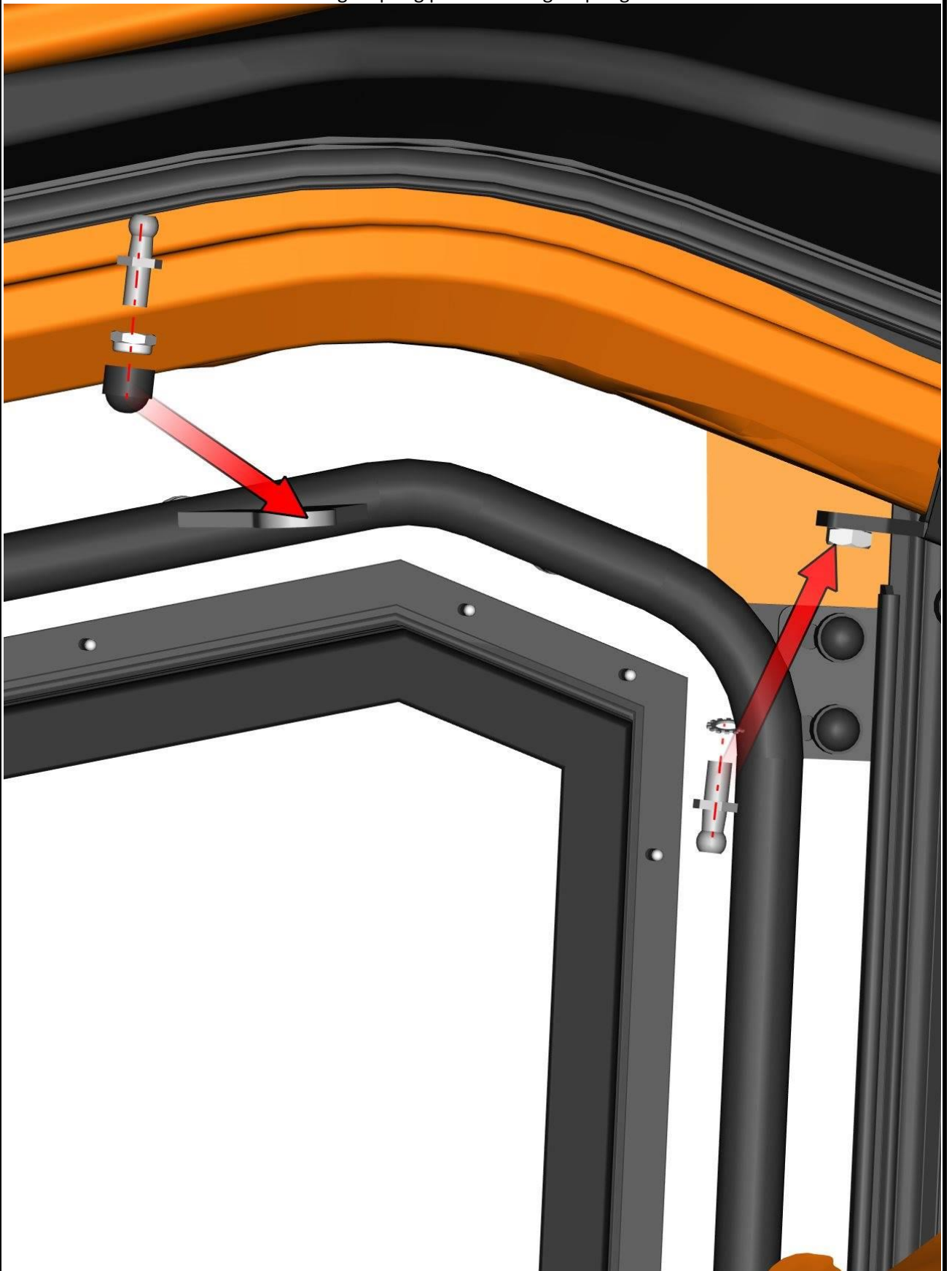
Remove the hinges covers and place the right door onto the hinges.



Adjust the right door stop assembly into the best position and tighten screws correctly.

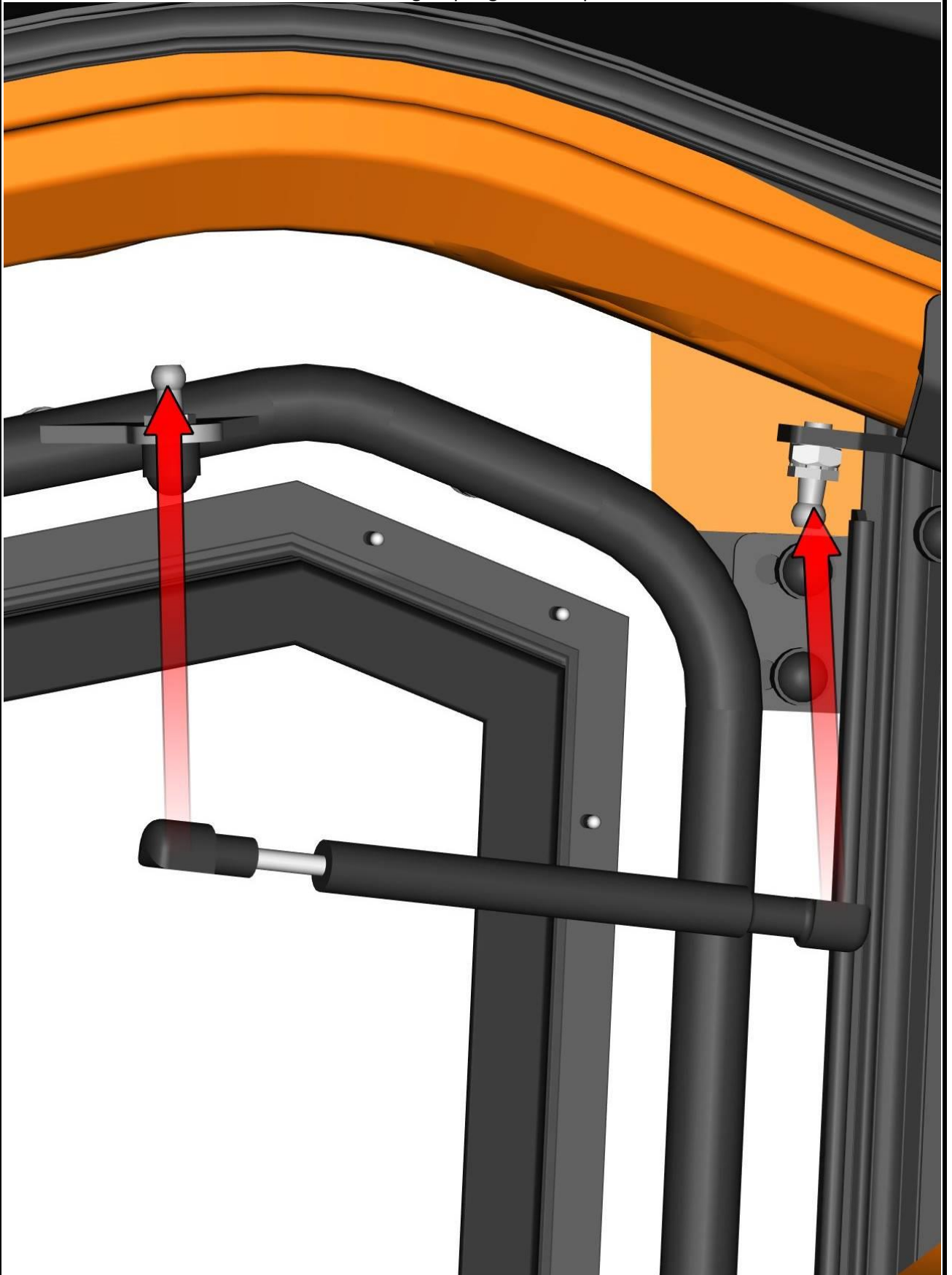


Mount the gas spring pins into the gas spring holders.



45

Install the gas spring onto the pins.



46

Repeat previous steps with the left door.

