

HardCabs

A DFK AMERICA COMPANY

INSTALLATION INSTRUCTIONS

POLARIS **CREW 800 EPS**



SAFETY INSTRUCTIONS

Warning: Failure to heed all safety and operating instructions and warnings regarding use of this product can result in serious bodily injury.

READ PROPERLY COMPLETE ASSEMBLY INSTRUCTIONS BEFORE STARTING OF ASSEMBLY

Install all parts indicated in assembly instructions. Failure to fully assemble product before use could result in personal injury.

Assembly of product requires use of hand or power tools. If you are not experienced in using these types of tools, have product dealer do the install for you.

Some parts contain sharp edges, wear protective gloves if necessary.

Always keep your assembly area clean, uncluttered and well lit.

Keep visitors and children a safe distance away from the assembly area. Visitors should wear the same safety equipment described under.

Never operate your UTV with the cab doors open. Failure to properly latch the doors before moving the vehicle could result in serious injury.

Dress for safety. DO NOT wear loose clothing, gloves, neckties or jewelry if using power tools to assemble this product.

Insert all nut covers after you finish installation.

Never drive your UTV with the cab front window in open position. Failure of improperly latched/locked front window before driving the vehicle could result in serious injury.

Please be careful to not break the plastic washers, if you are tightening screws with plastic washers use maximal power 3,7 foot-pound force (5 Nm)!!!

WARNING: For safety purposes, if the DFK Cab doors are removed, it is mandatory that the OEM manufactured Half Doors or Nets are **REINSTALLED** before operating the vehicle.

MAINTANCE AND CLEANING

To clean polycarbonate surface use soapy water solution or other subtle means.

Dirt and dust wash by gently water stream and swipe only with wet or damp means in the direction from top to bottom.

The recommended frequency of cleaning of polycarbonate part is about 1 time per month or according to the actual degree of pollution.

*Do not use detergents that could scratch the surface plates.
(abrasives, harsh fabrics, etc.)*

*Do not use solvents or alkaline detergents or cleaners with ammonia
(ammonium hydroxide).*

Do not remove the impurities from the surface of the razor blades or other sharp items.

Do not clean cabine, when the polycarbonate plates are heated by the sun.

Do not use the squeegee, it could be scratched surface plates.

Do not clean the water current strength greater than 50 bar (WAP)

The manufacturer is not responsible for scratching the surface in case of failure to comply with the above instructions.

All bolted connections of cab must be by user at regular intervals checked and tightened.

Please by carefull to not broken the plastic washers, if you tightening screws with plastic washers use maximal power 3,7 foot-pound force (5 Nm)!!!

PREPARATION FOR INSTALLATION:

Uninstall the side safety networks assembly from both sides. (In red poligon)



View on to the left bottom corner.

Detail onto the safety networks holder.
(In red rectangle.)



REAR PANEL

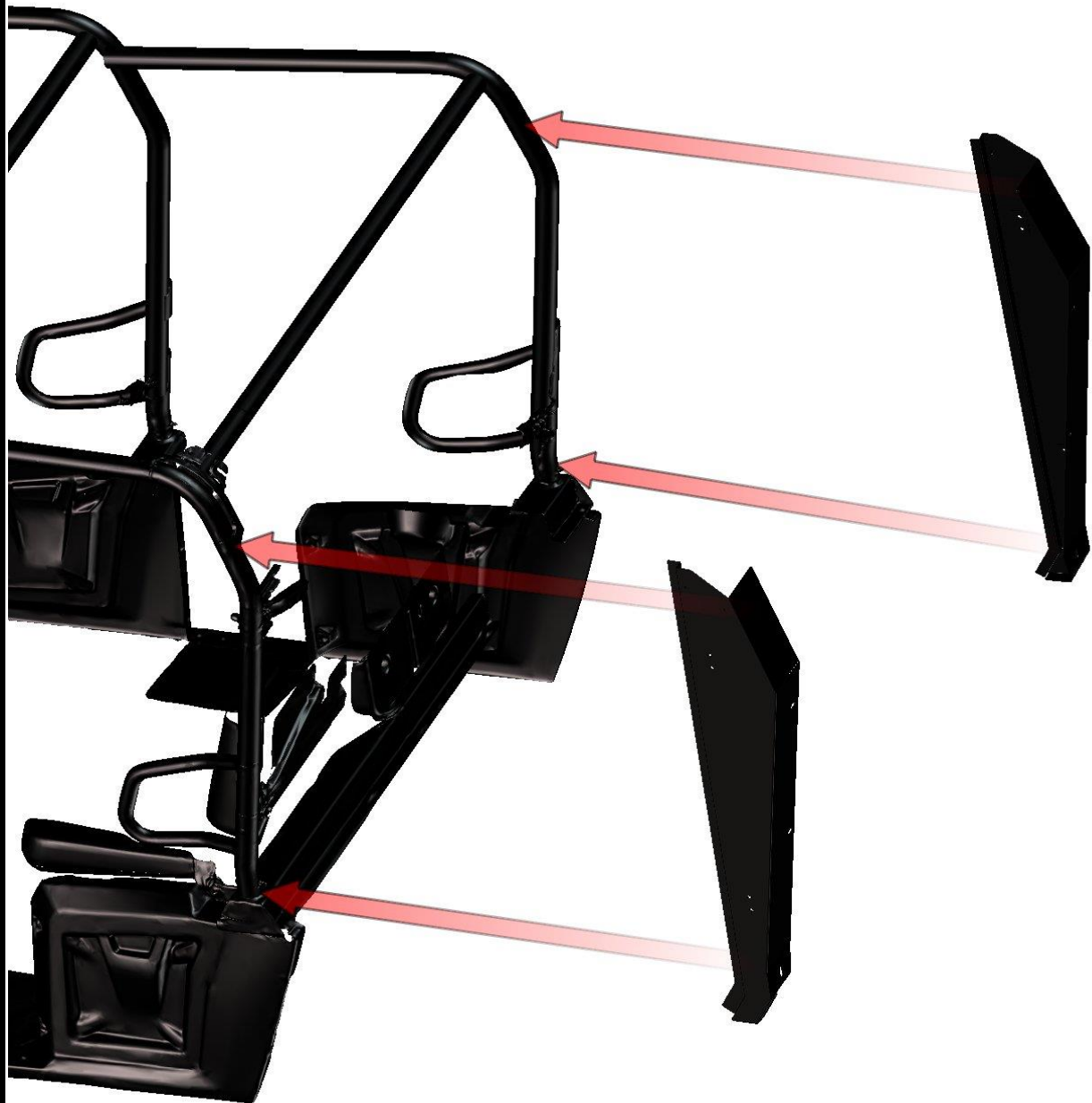
Uninstall the rear headrest ledge (in red rectangle).



Save original screws from the rear headrest ledge and stick the sealing „Apollo“ onto the rear safe cross from outer side (red lines).

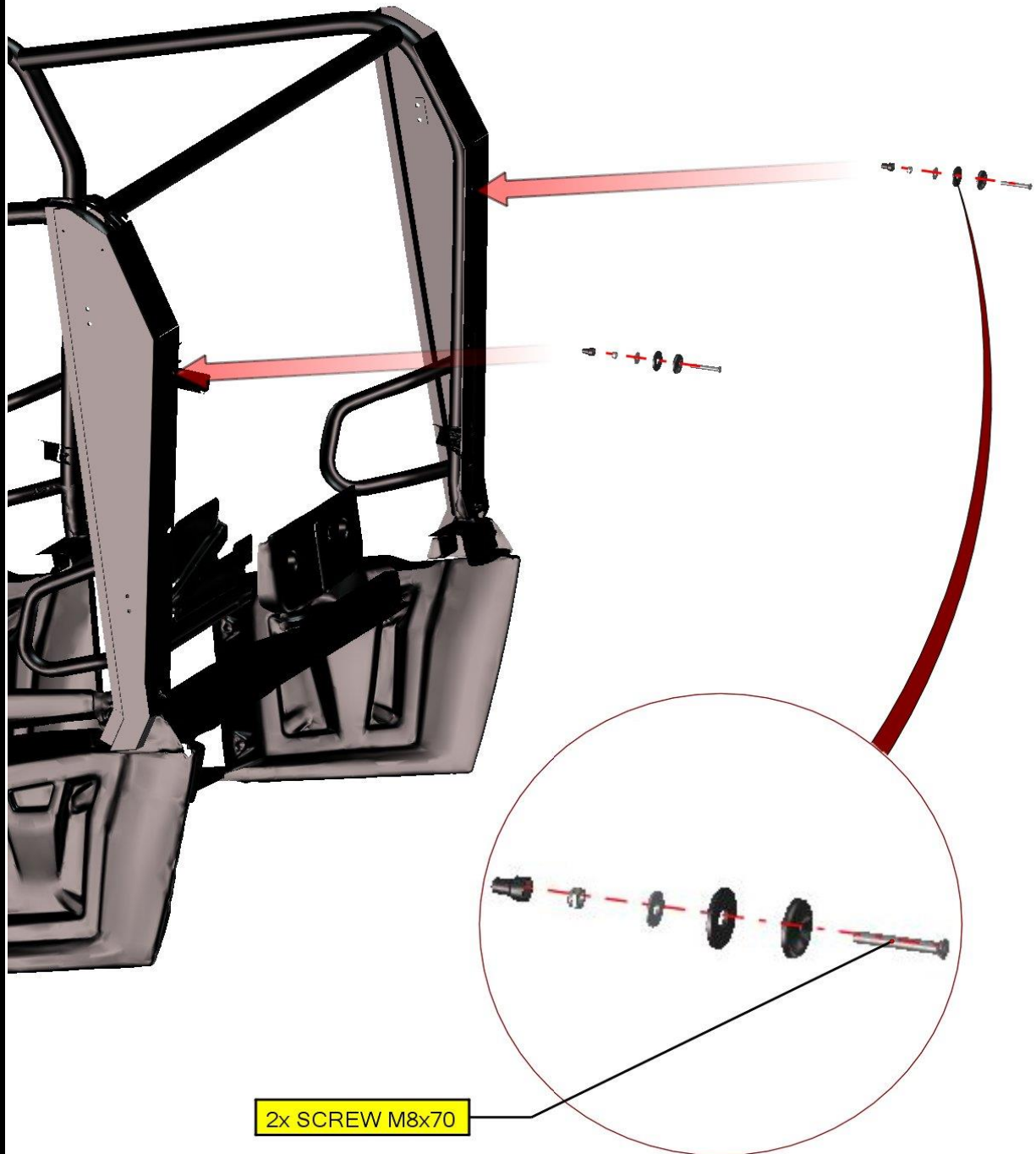


Place the door bases onto the roller cage.

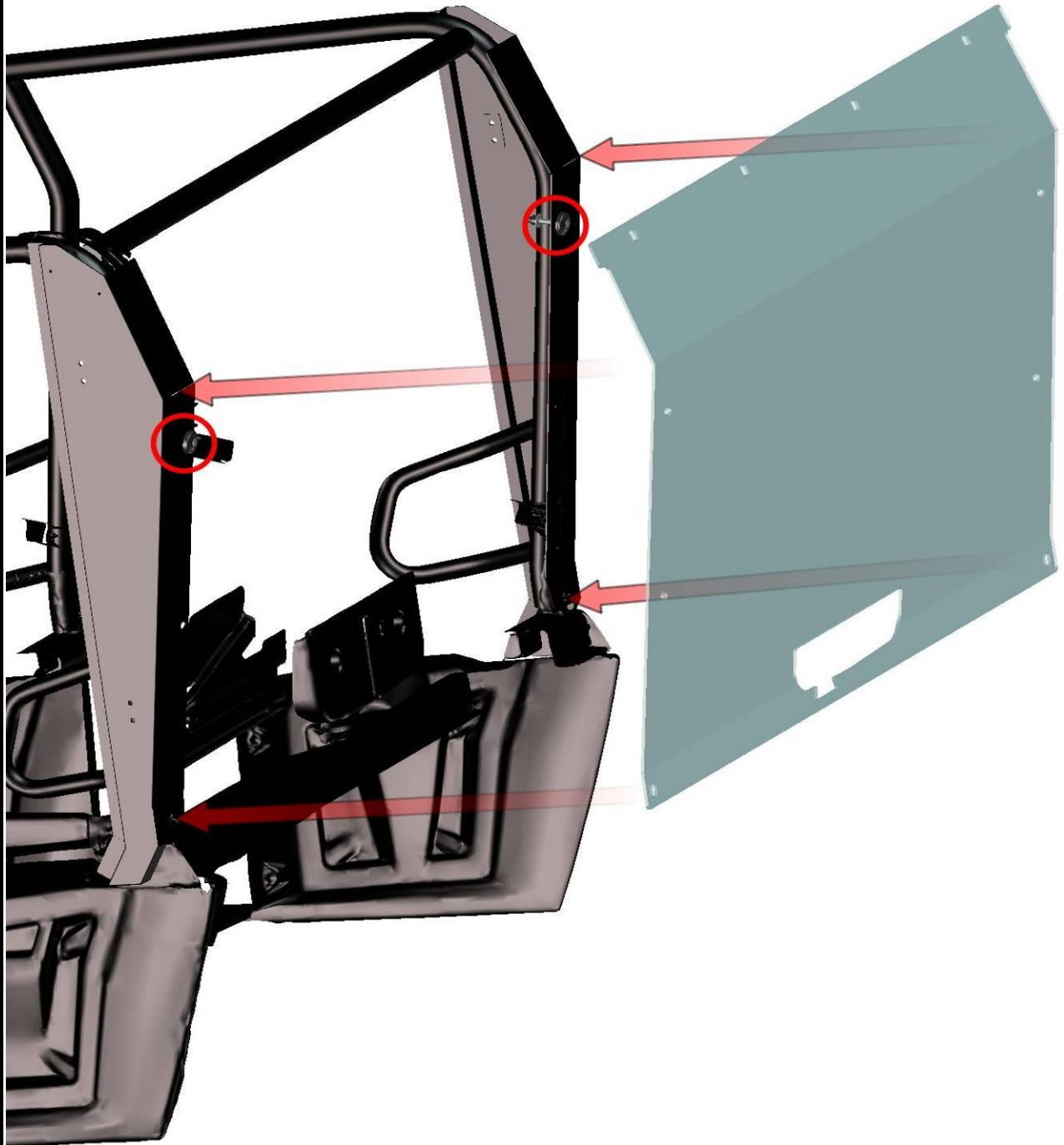


6

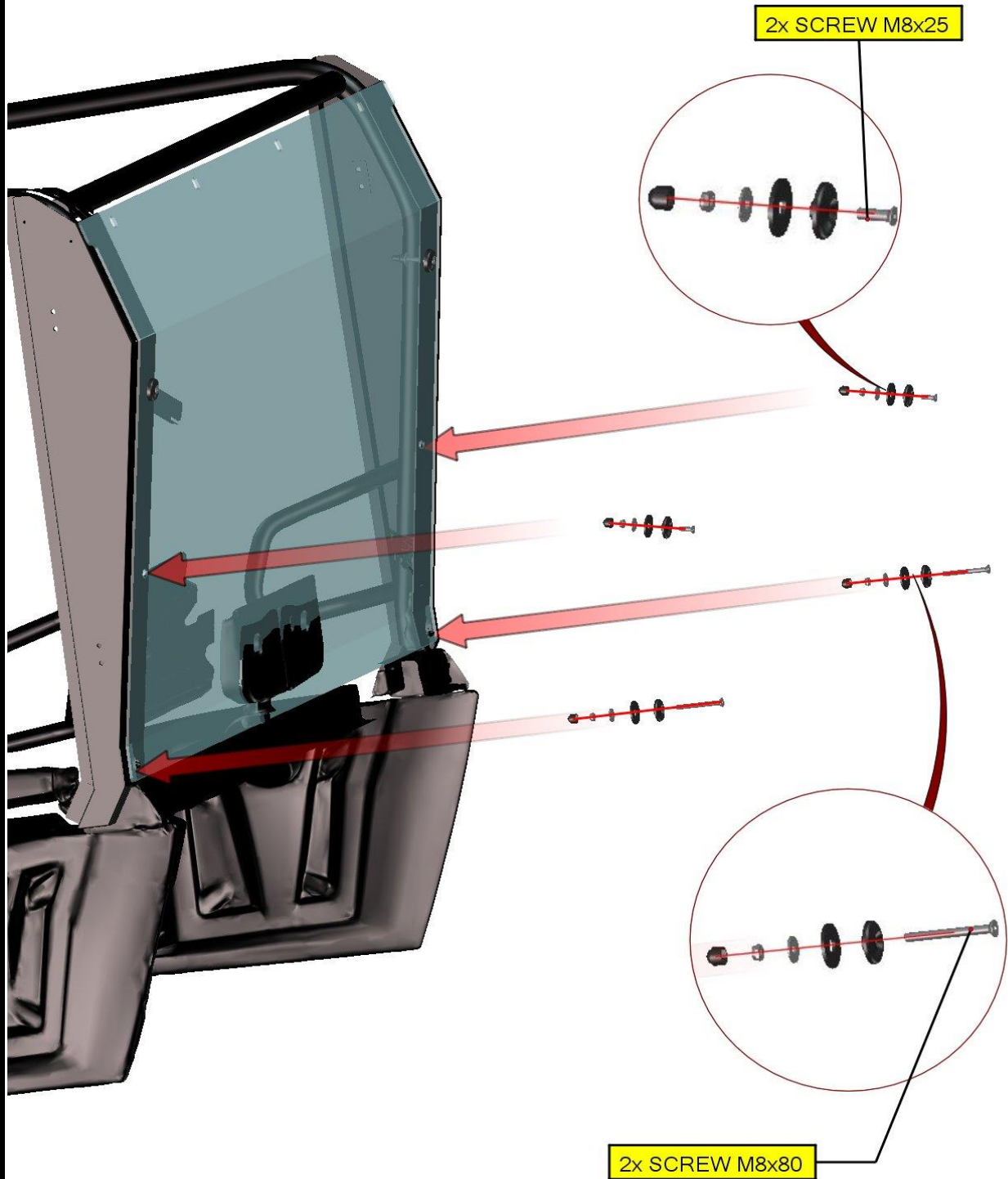
Fix the door bases with roller cage by screws, washers, nuts and nut covers.



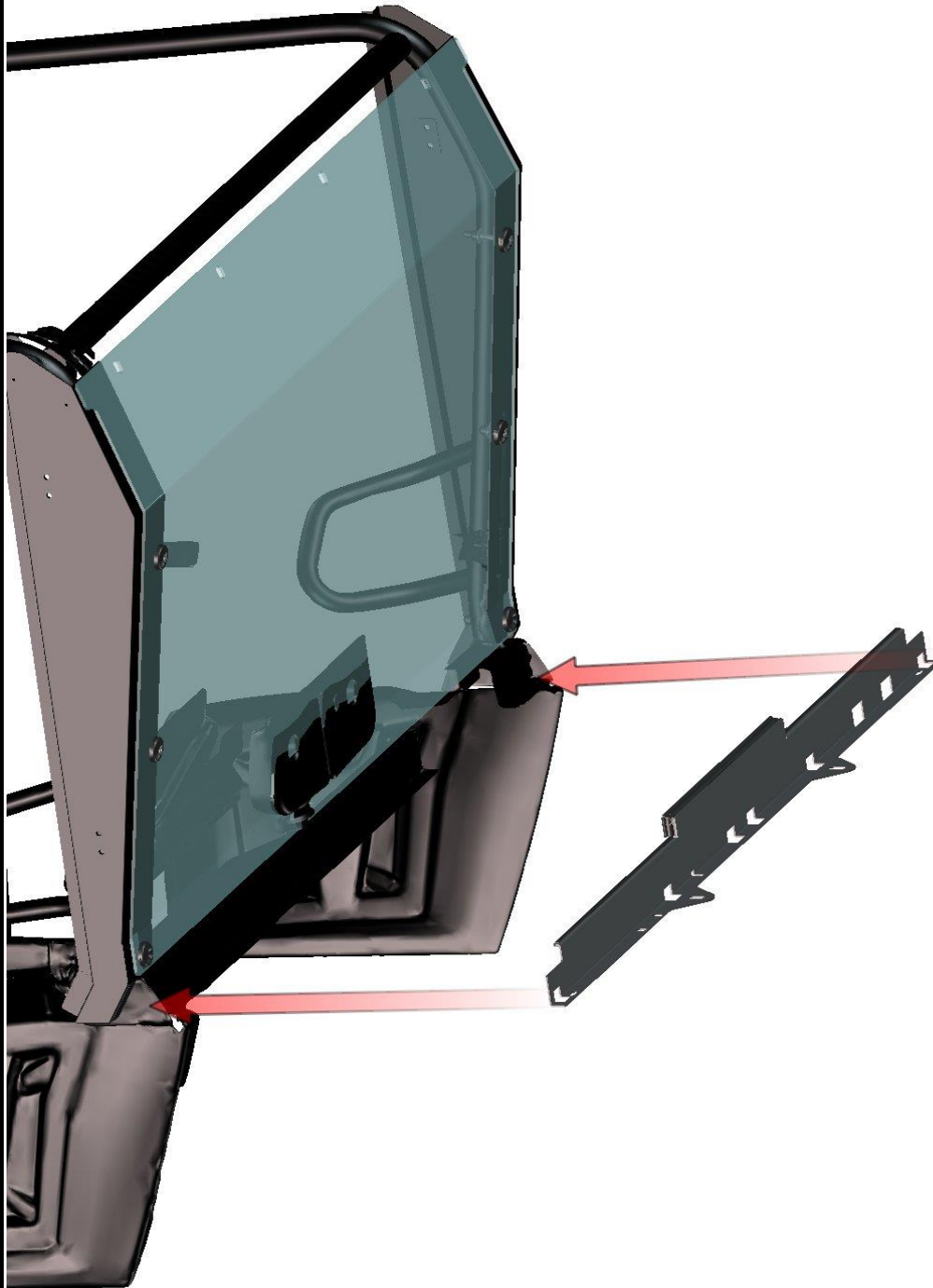
Pull out the safeguard films from rear polycarbonate window.
Uninstall screws from previous page and place the rear polycarbonate window on correct position.
Install these screws back to position.



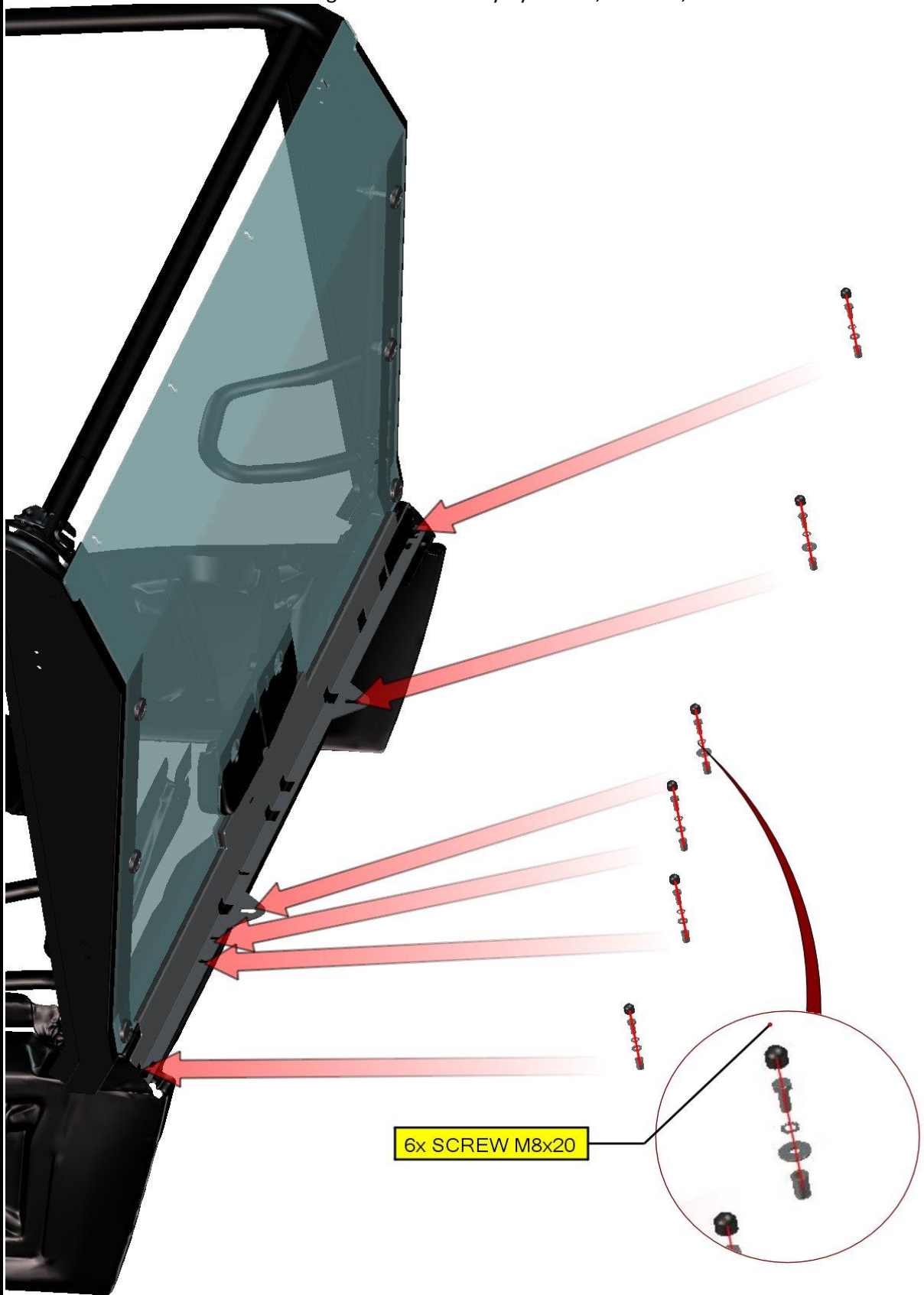
Fix the polycarbonate panel with the door bases to the roller cage by screws, washers nuts and nut covers.



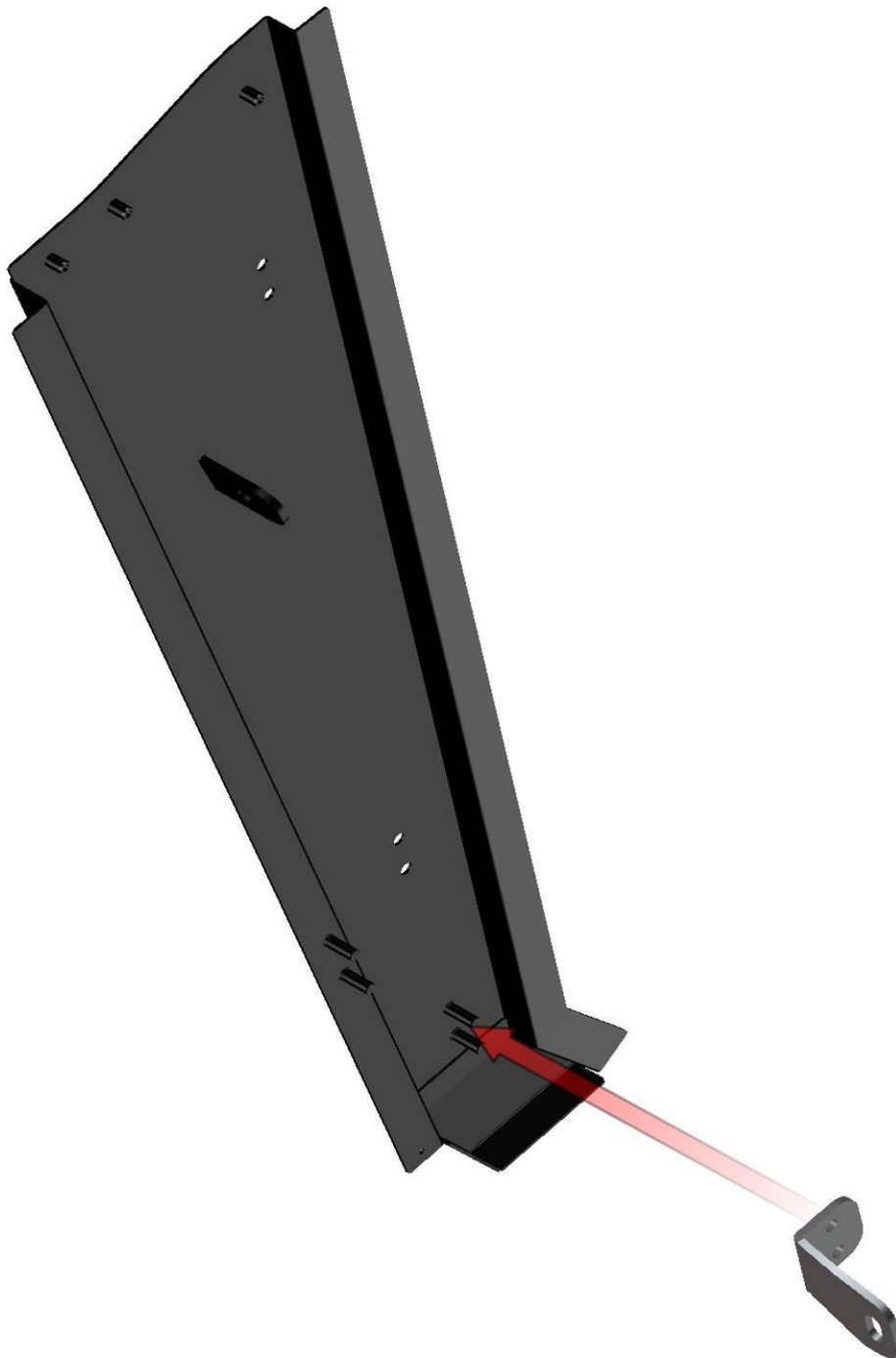
Put the rear headrest ledge onto the original position and fix that by original screws.
Place the rear bottom ledge onto the UTV's body and press these onto the rear polycarbonate panel.



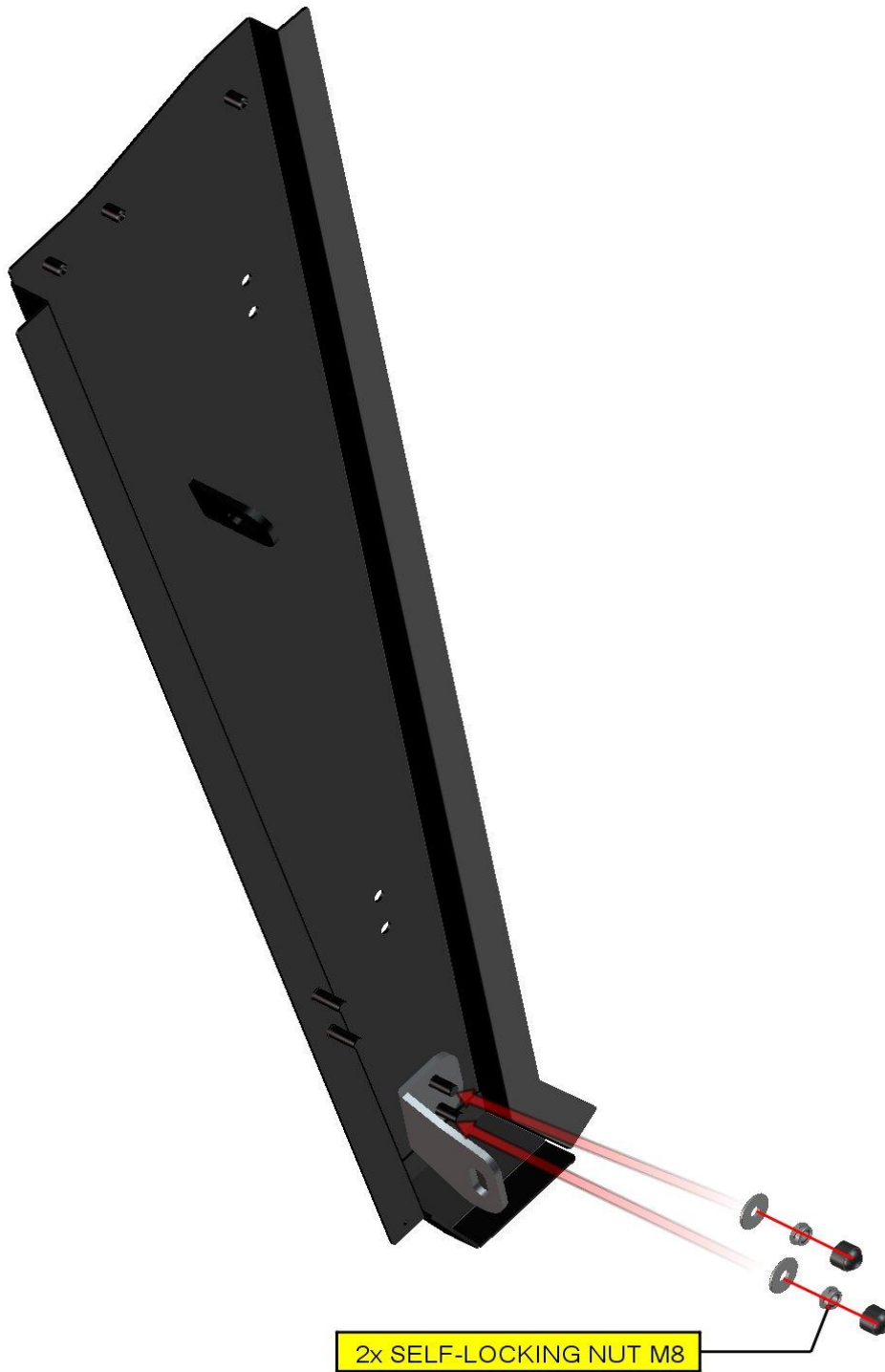
Fix the rear bottom ledge with UTV's body by screws, washers, nuts and nut covers.



Place the left middle door base holder onto the left middle door base .
The left and right middle door base holders is different. Don't make mistake, if you change these holders
you have problem with next steps of instructions.

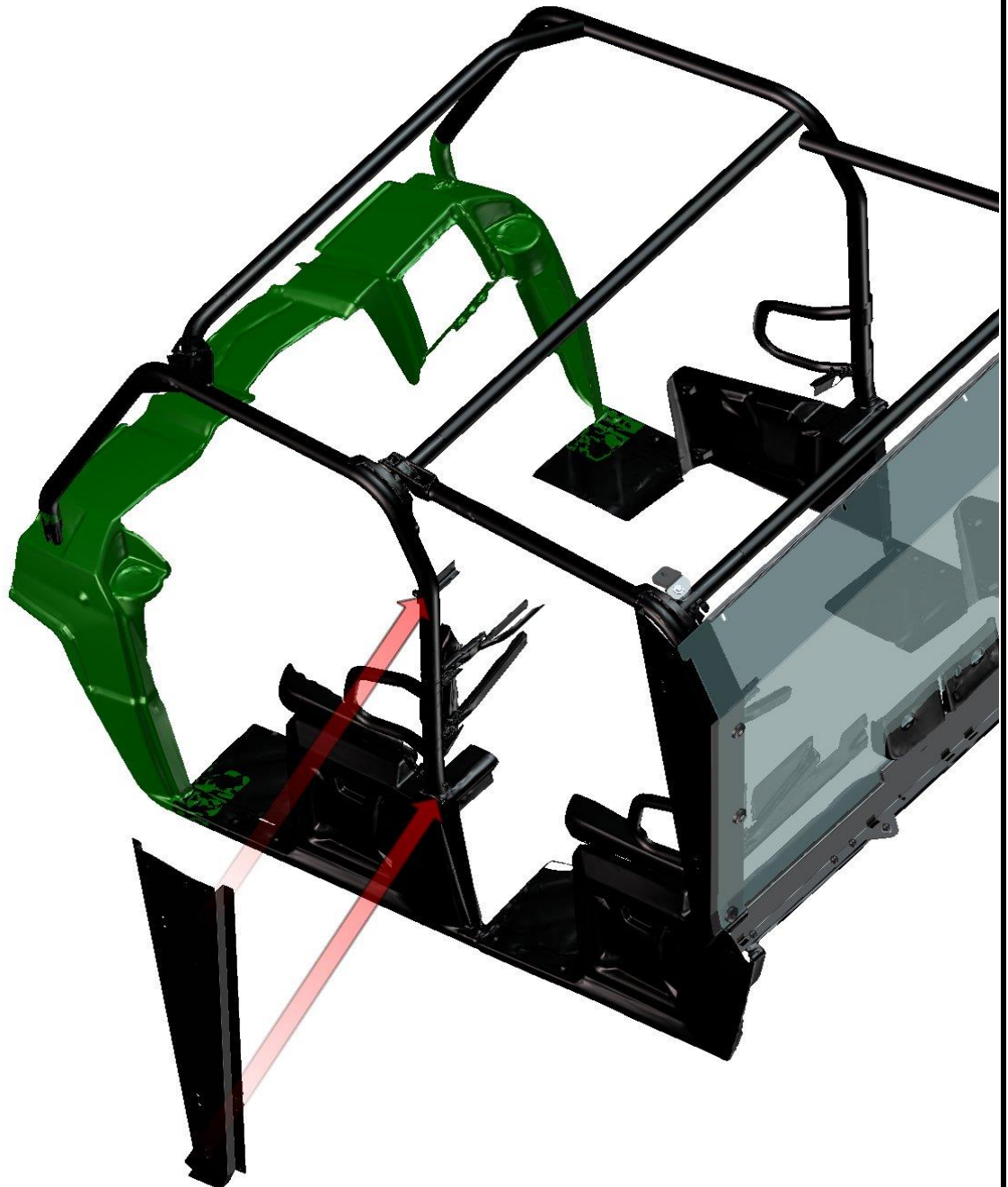


Fix the left middle door base with the left middle door base holder by washers, nuts and nut covers.



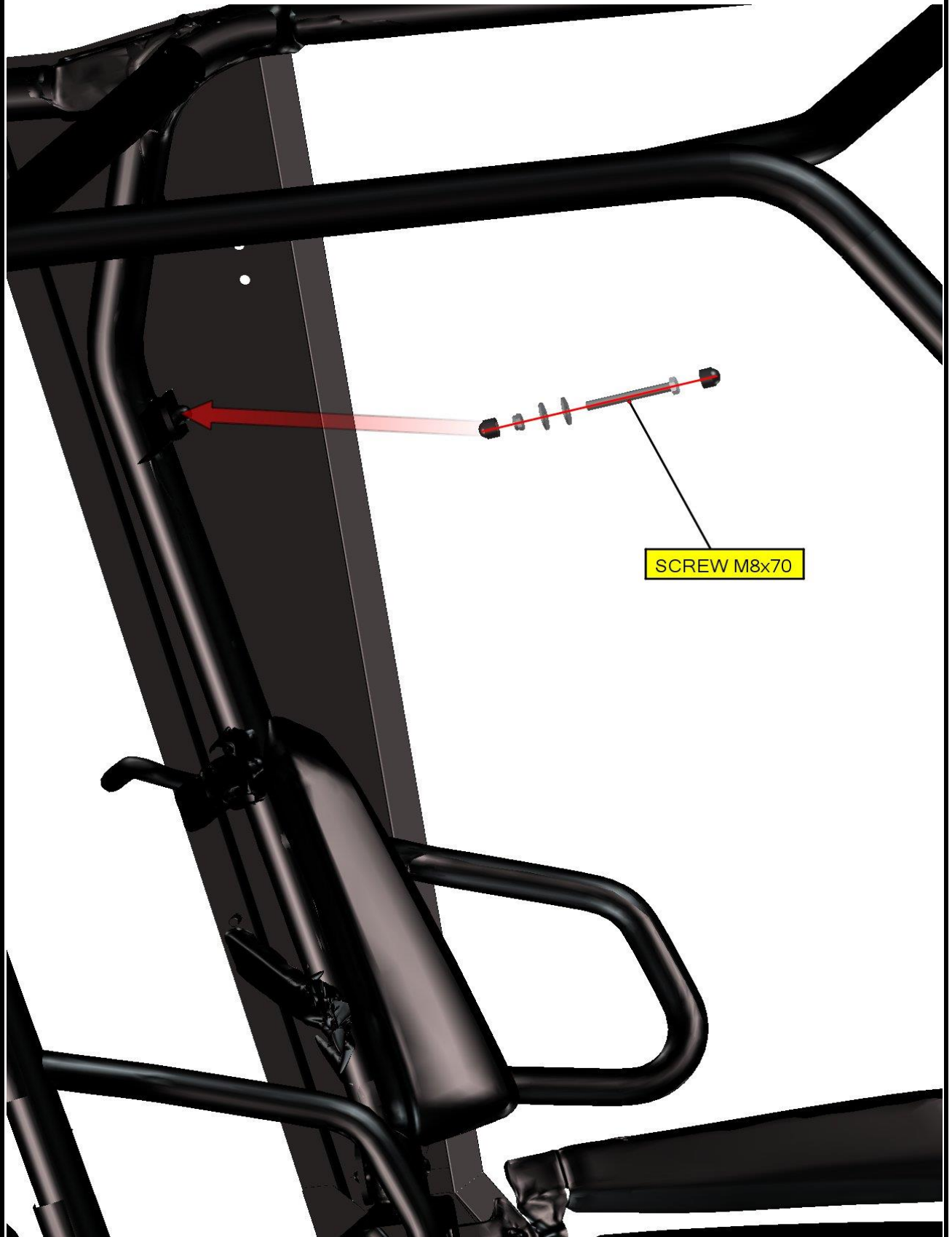
Repeat these two steps with right middle base and right base holder.

Uninstall front headrest ledge with original screw.
Place the middle door bases onto the roller cage on both sides.

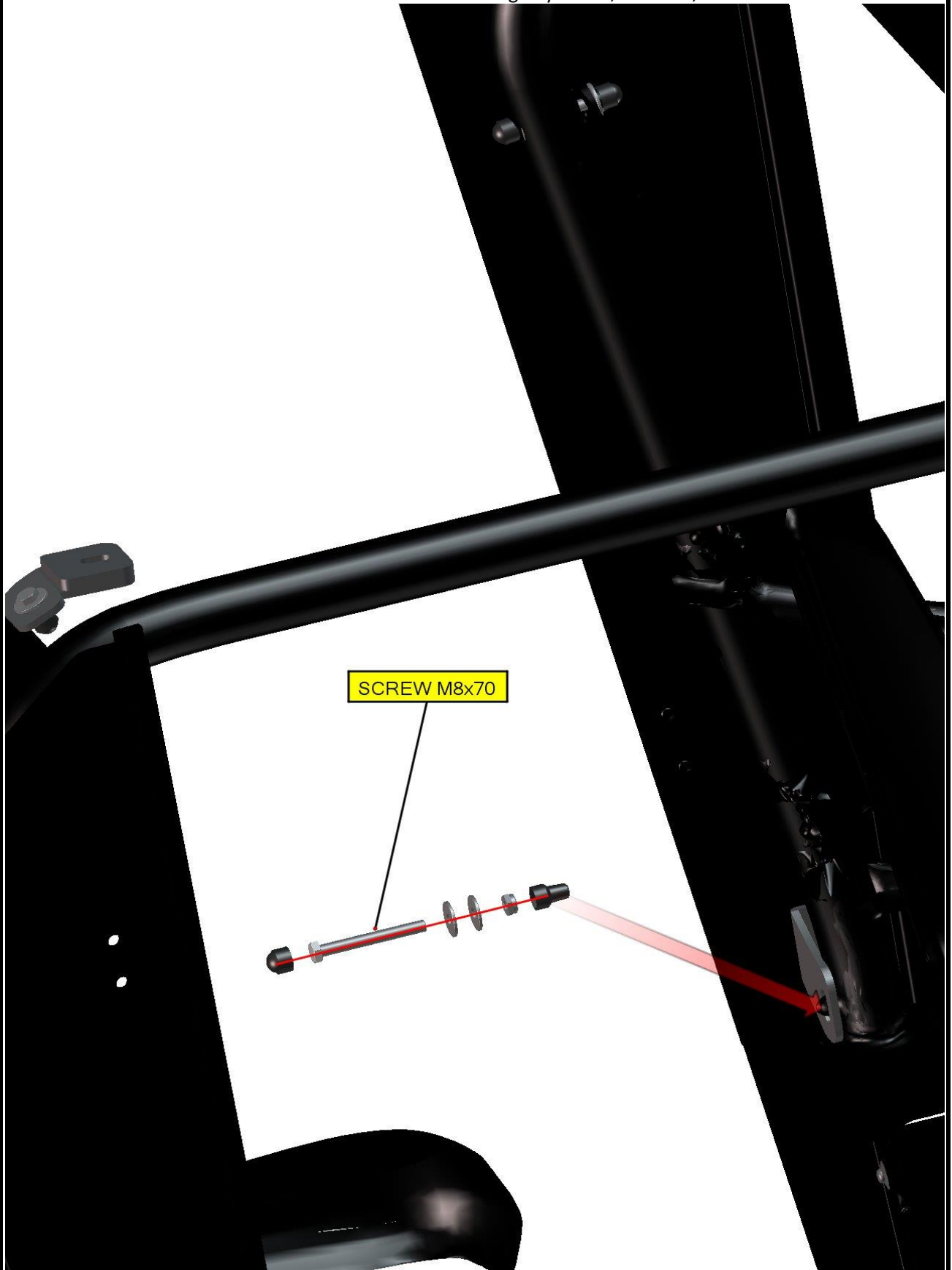


14

Place the front headrest ledge over the upper welded holder and fix these by screws, washers, nuts and nut covers on both sides.



Fix the middle door base holder with the roller cage by screw, washers, nut and nut covers.



Make you sure the middle door bases has been instaled correctly.



Place the bottom middle base ledge onto the plastic body of the UTV on both sides.



Fix that ledge with plastic body by plastic rivet screws.

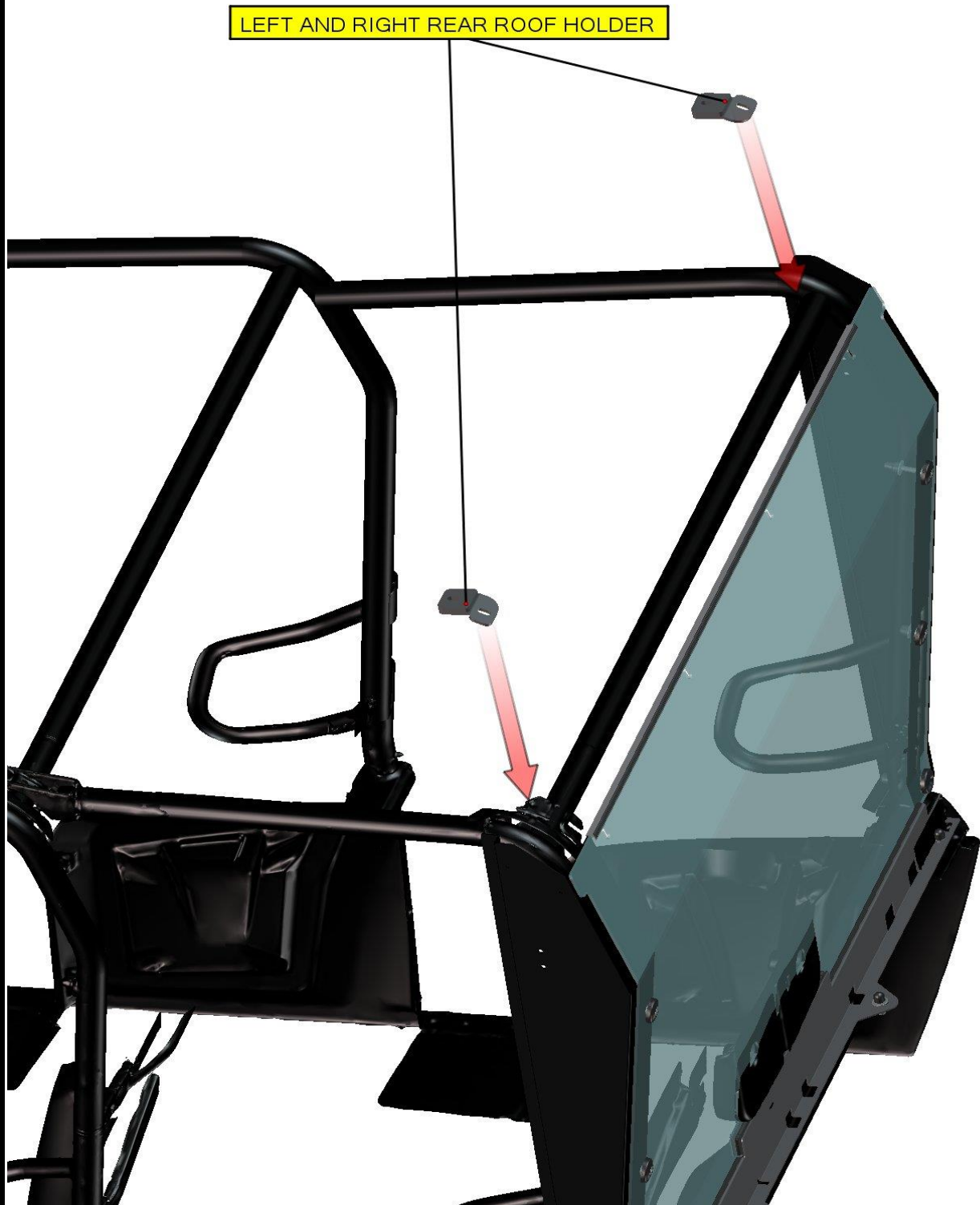


Fix the bottom middle base ledge with the middle door base by rivet $\phi 6\text{mm}$ (in red circle).

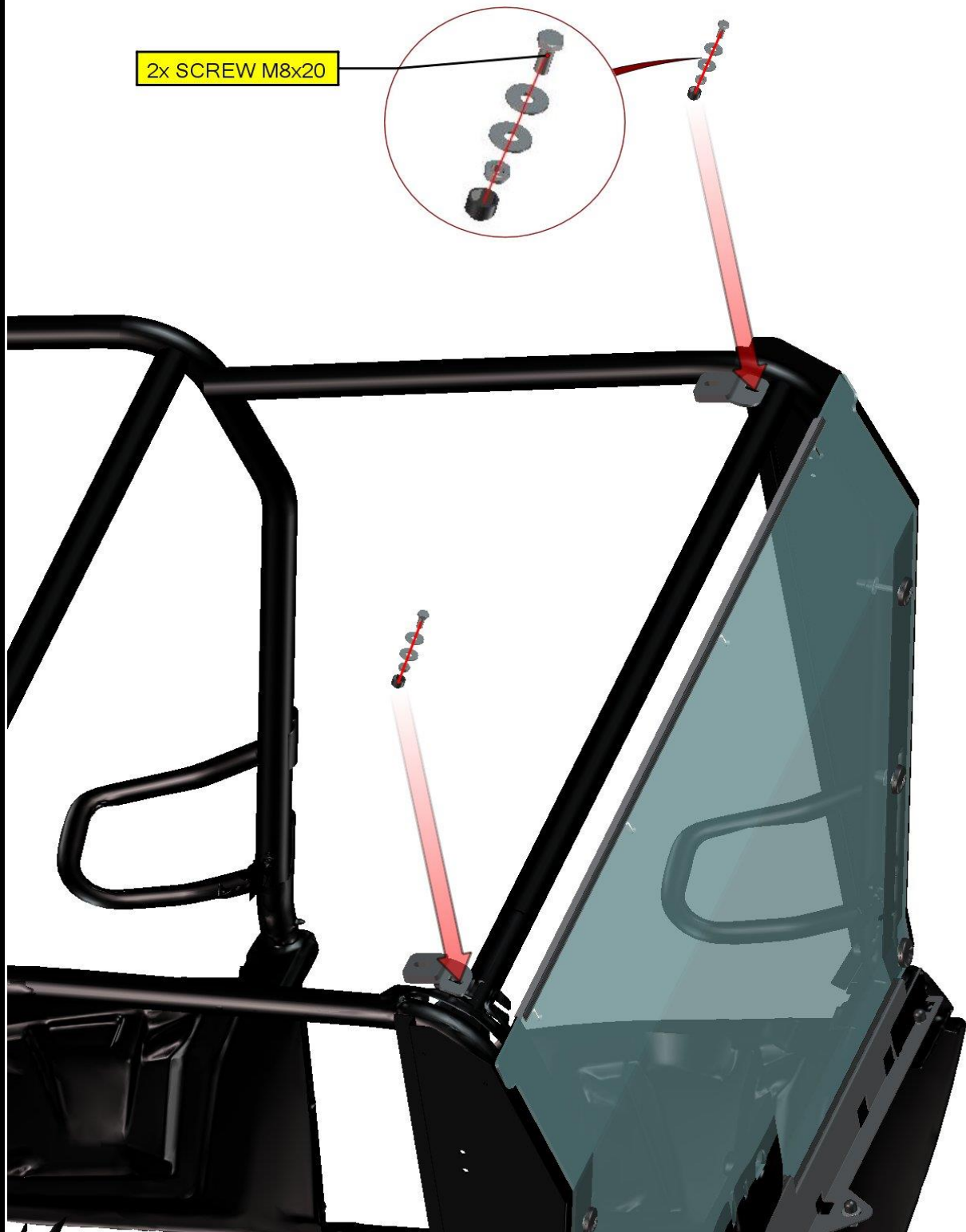


ROOF

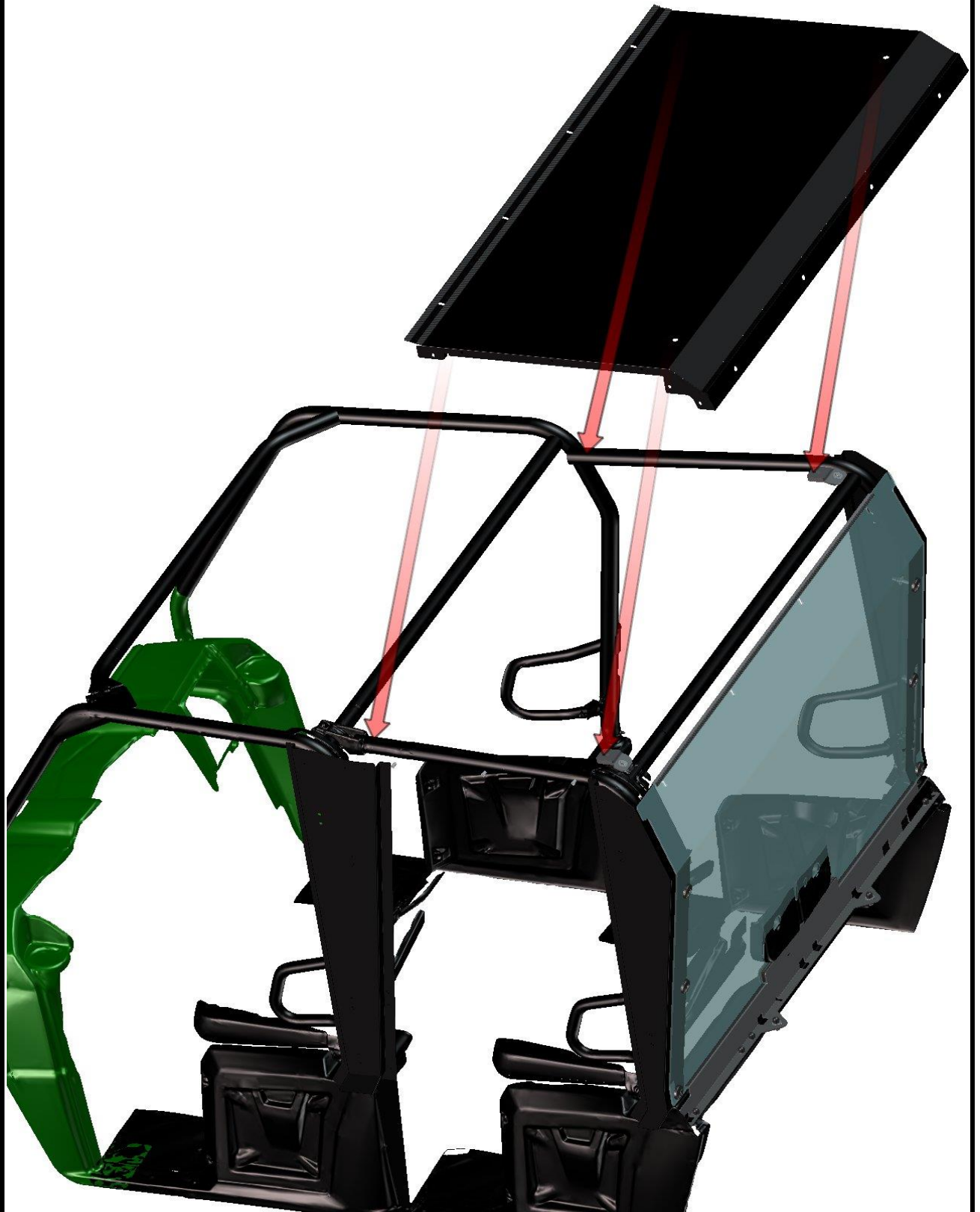
Place the left and right rear roof holders onto the welded reinforcements of the roller cage.



Fix the rear roof holders with the roller cage by screws, washers, nuts and nut covers.



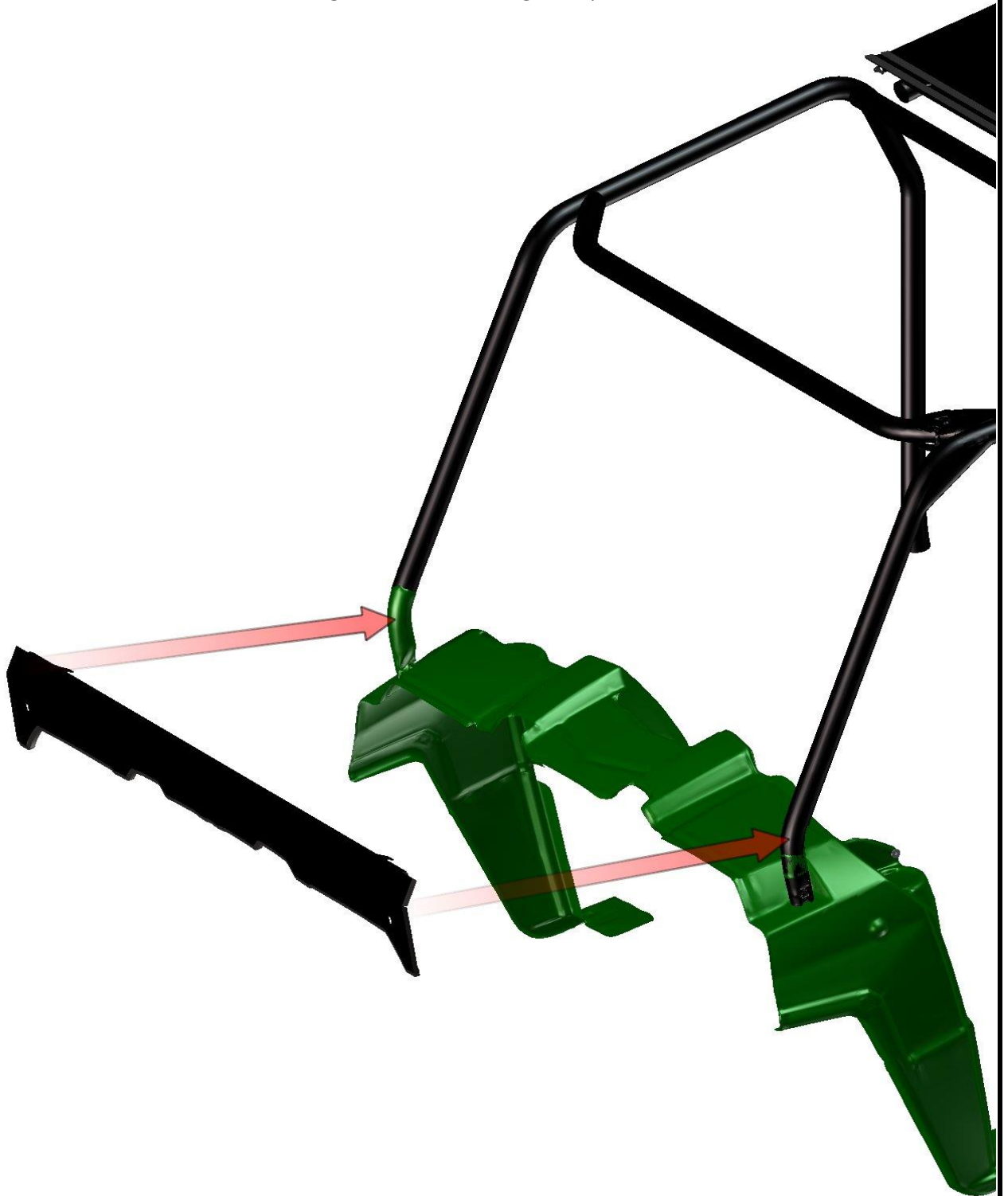
Place the rear roof onto the roller cage.



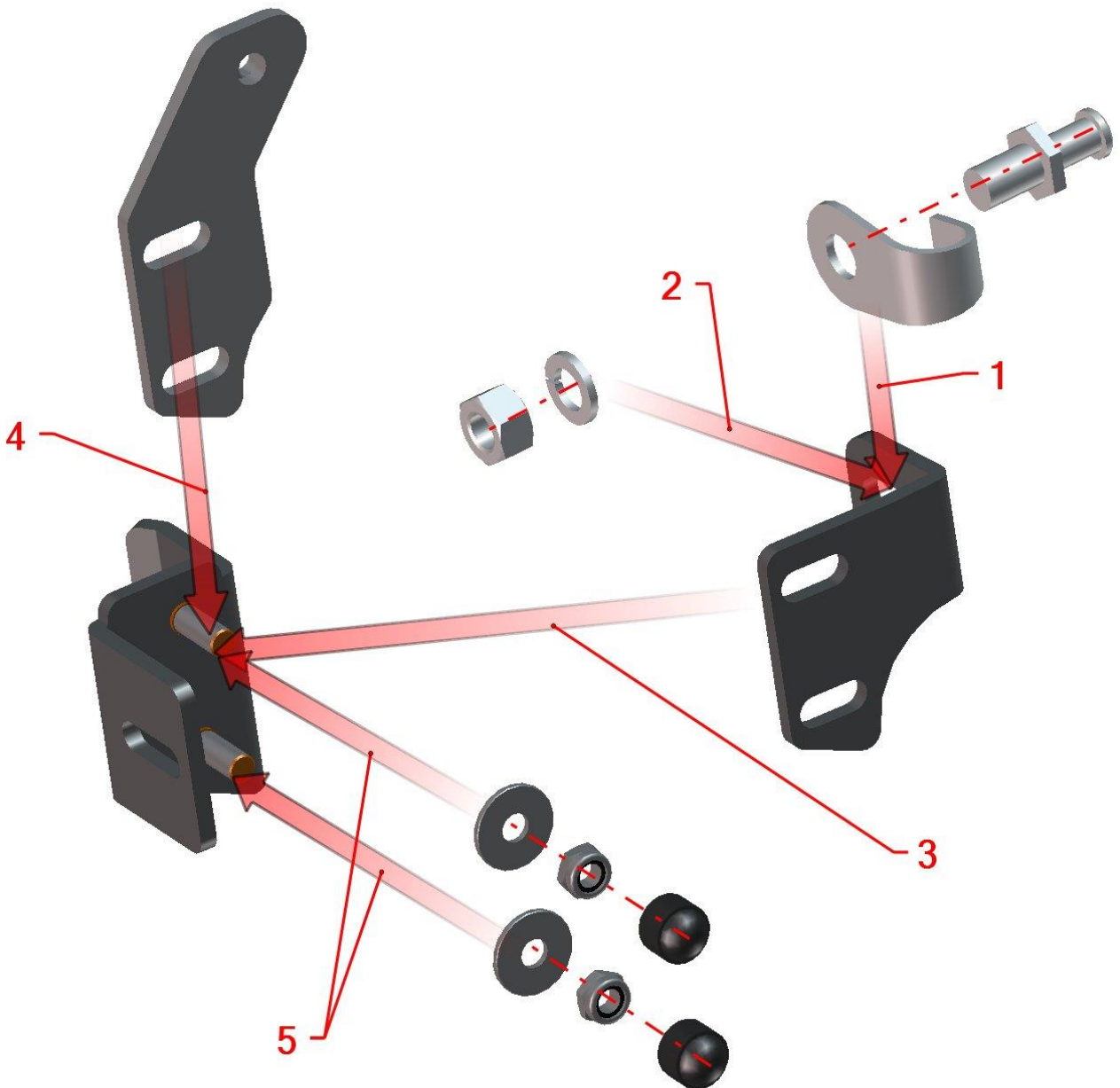
23

FRONT PANEL

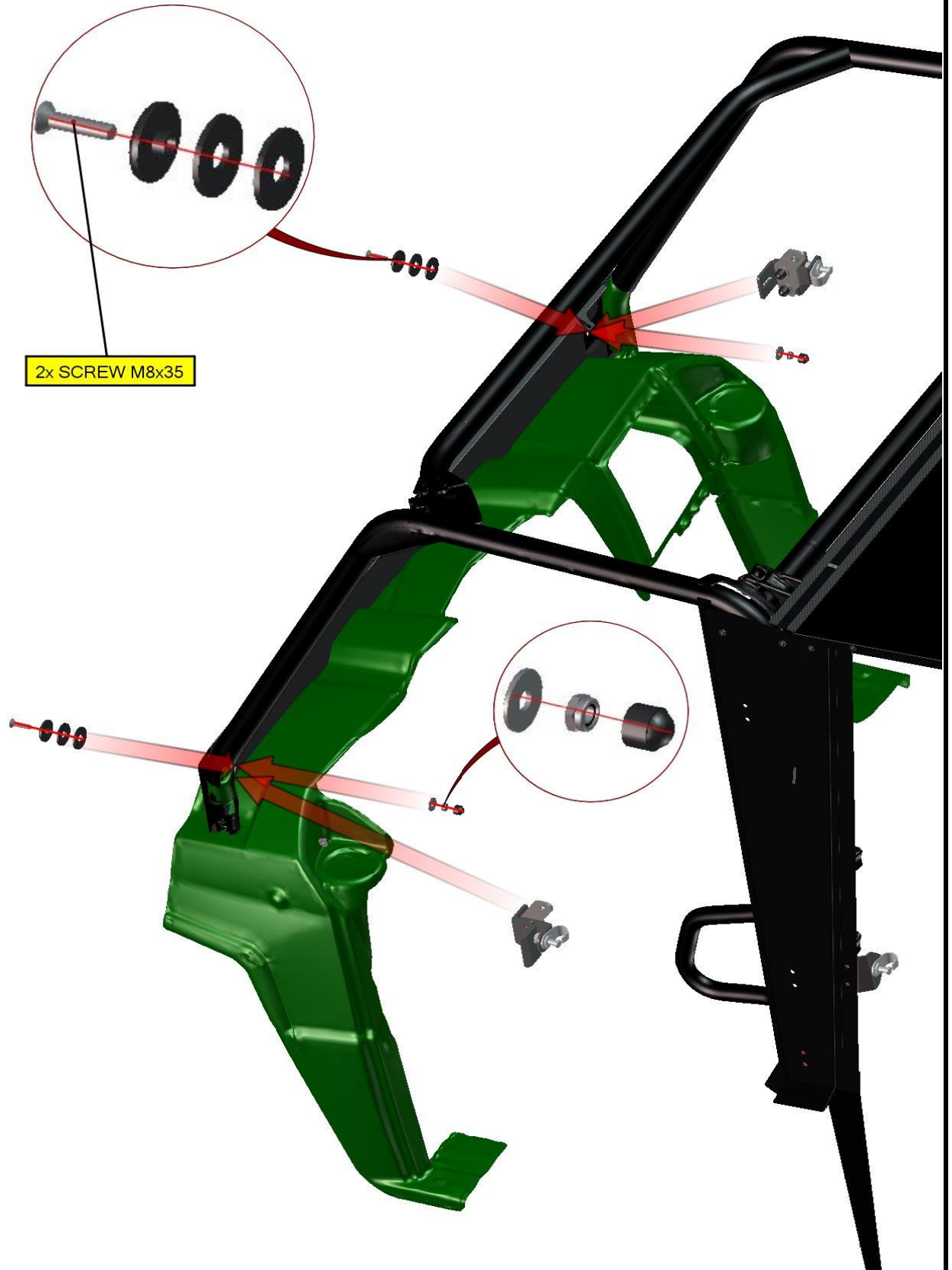
Place the front bottom ledge onto the roller cage and press that on to the dashboard.



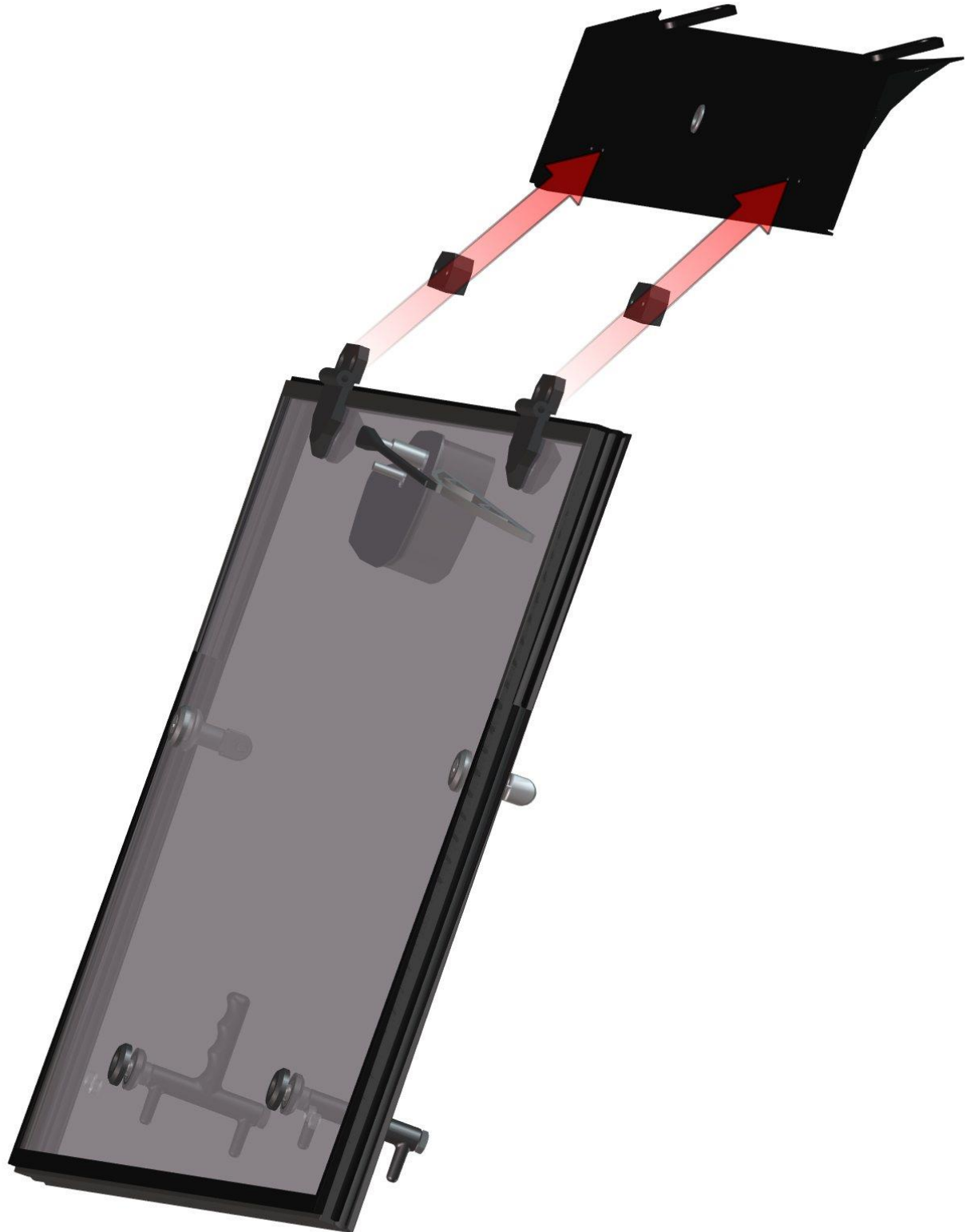
Install the door stop assembly (pin, hook, washer and nut) with door stop holder(1,2). Place the door stop holder onto the front ledge holder (3). Place the gas spring holder onto the front ledge holder (4). Fix the front ledge holder with the door stop holder and with gas spring holder by nuts, washers and nut cover (5).



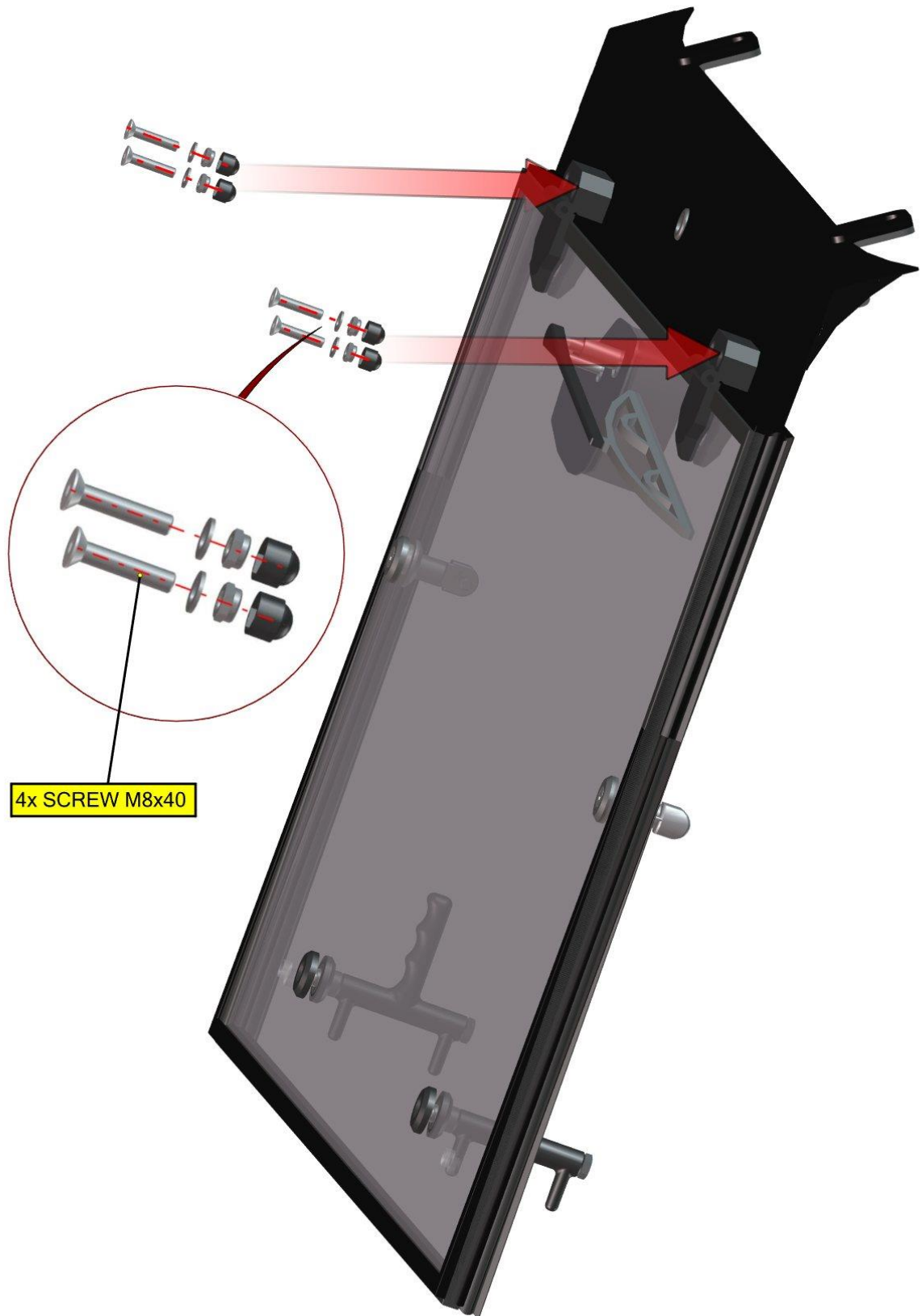
Place the front bottom ledge holders on both sides.
Fix holders with the ledge to the roller cage by screws, washers, nuts and nut covers.



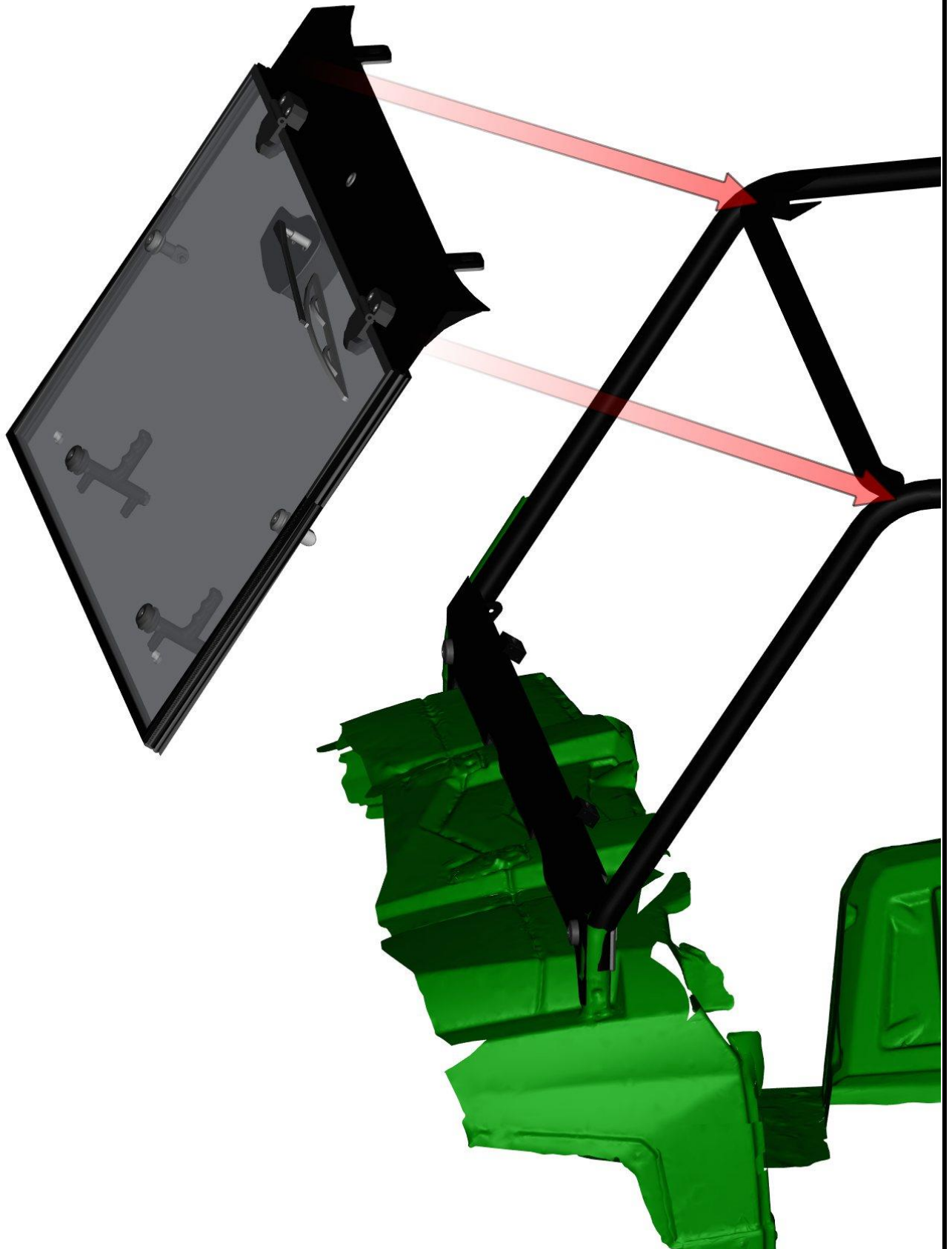
Cut the tightening straps in the hinges and place the hinge washers onto the front window hinges and place the upper front ledge onto the hinge washers.



Fix the hinges with the front upper lege by screws, washers, nuts and nut covers.

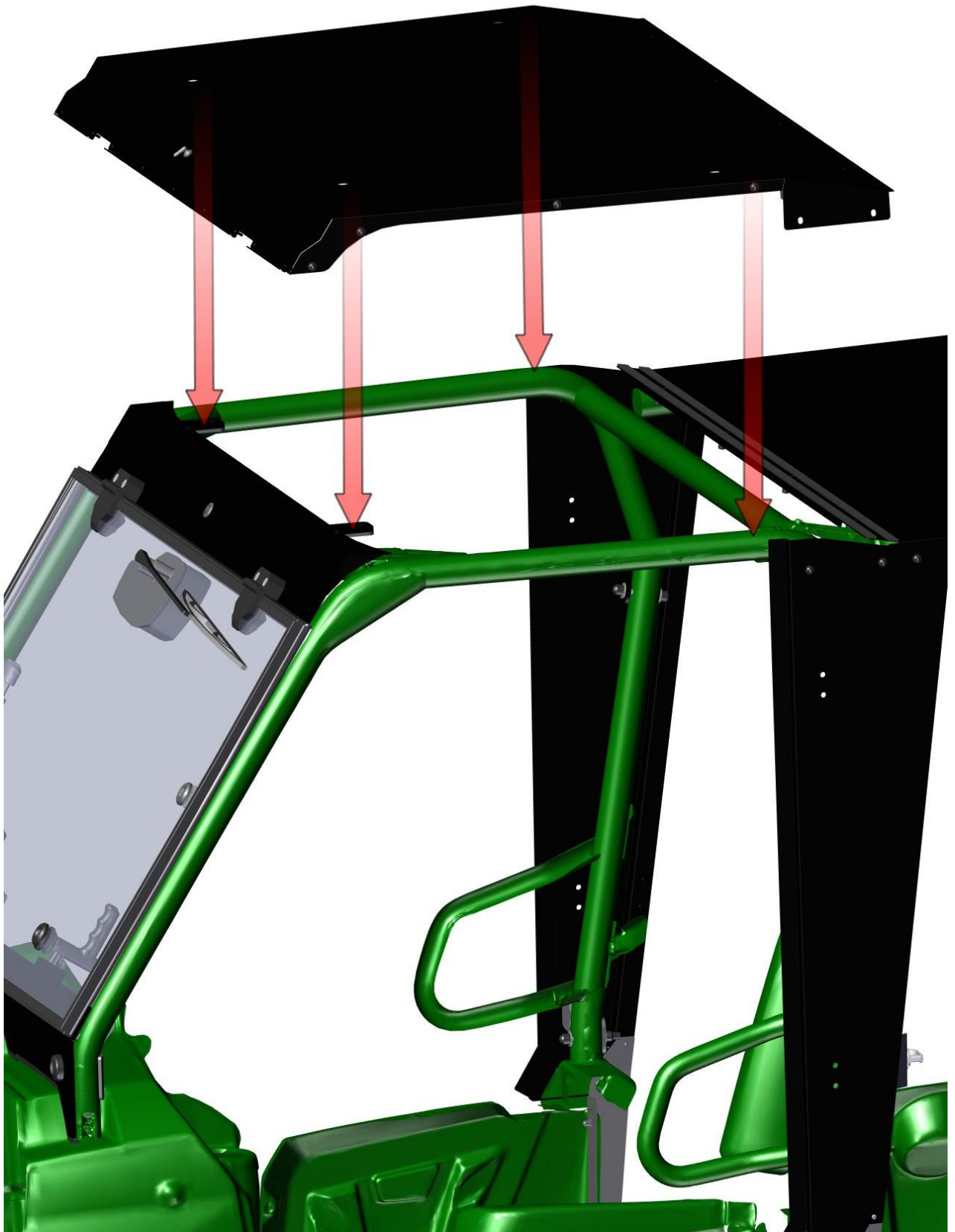


Place the front window and the front upper ledge onto the roller cage.



ROOF

Hold the front window on position and place the front roof onto the front ledge and onto the rear roof.

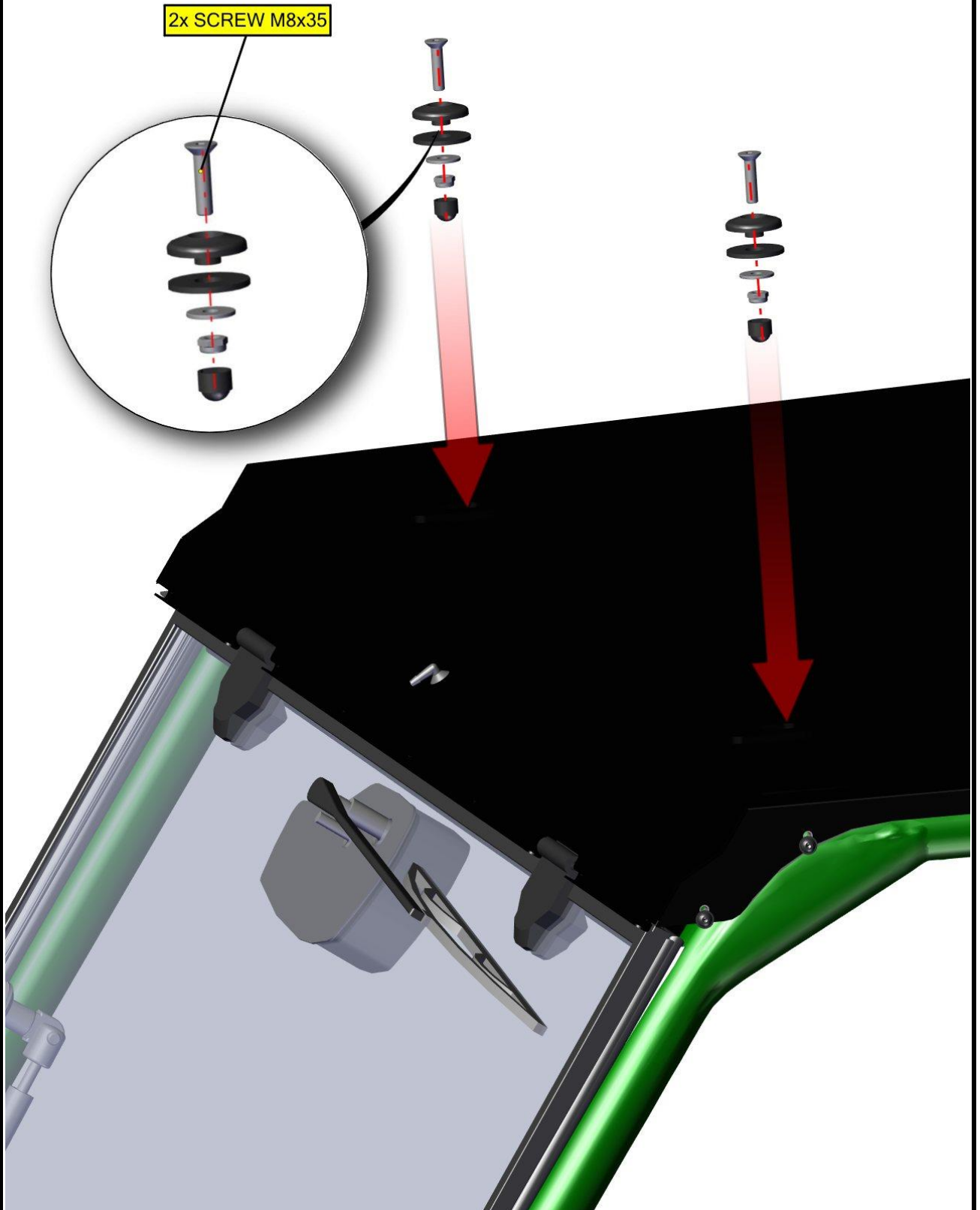


30

Hold the front window on position and place the front ledge holder onto the front ledge.



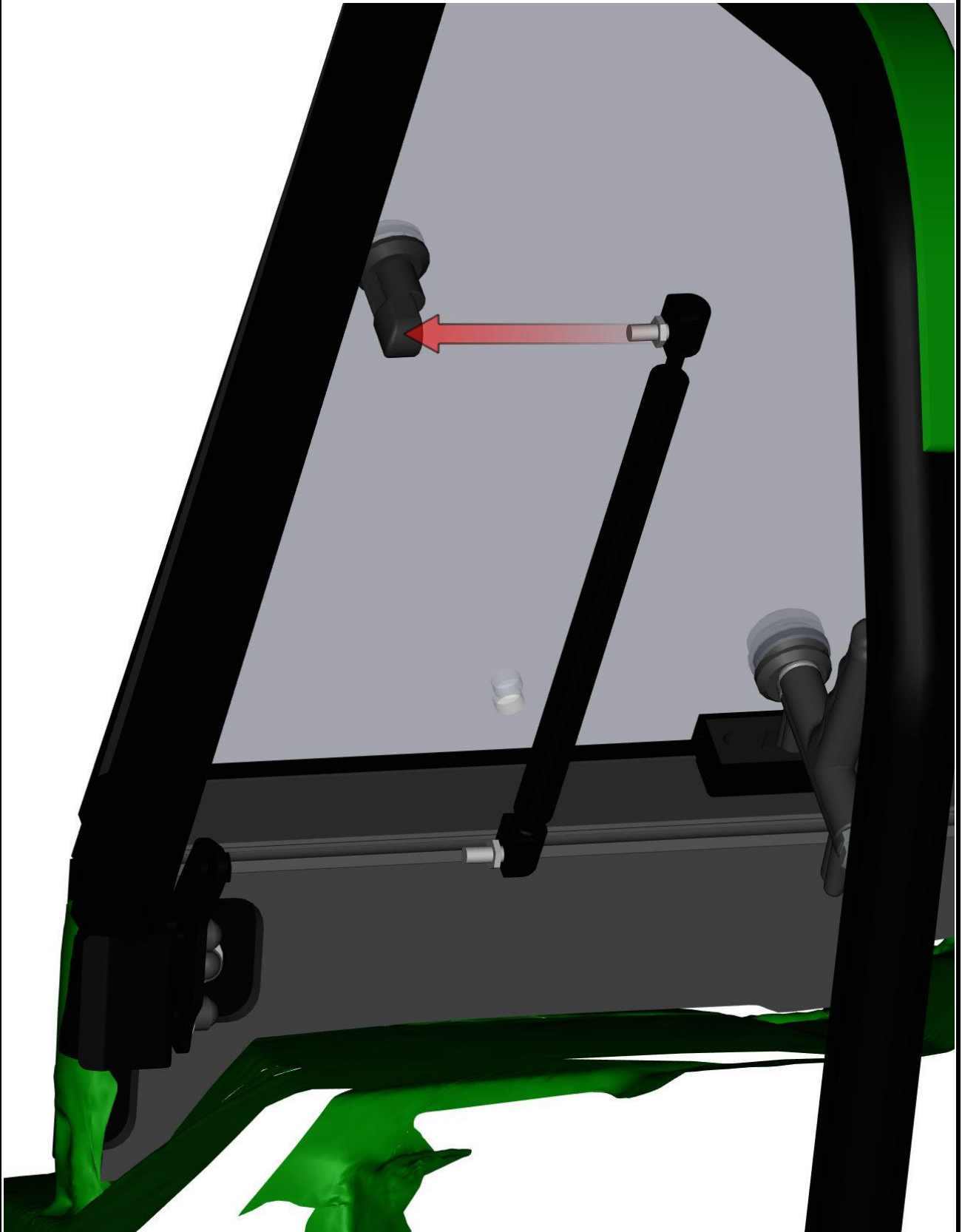
Adjust the front roof on correct position and fix the front roof with the front upper ledge and with the front upper ledge holder to the roller cage by screws, washers, nuts and nut covers.



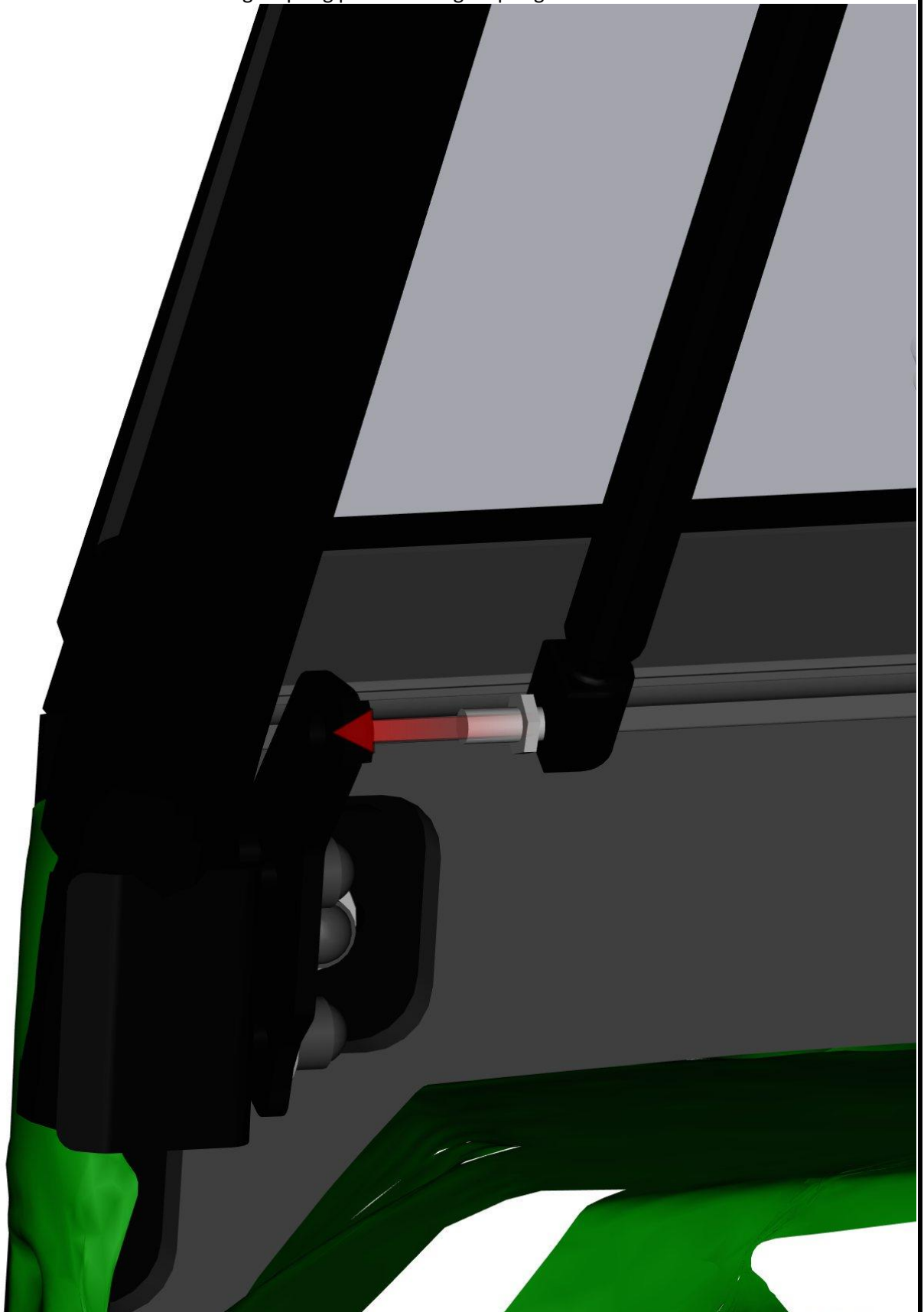
FRONT PANEL

Connect the gas spring with the gas spring holder.

IT IS IMPORTANT TO INSTALL GAS SPRING IN SAME ORIENTATION LIKE IN PICTURE



Fix the gas spring pin with the gas spring holder metal.



Tighten hard all screws and nuts on the front window and on the hinges.

Stick the seal (red line) onto the roller cage on both sides



Detail view on the upper right corner of the front window.



Detail view on the bottom right corner of the front window.



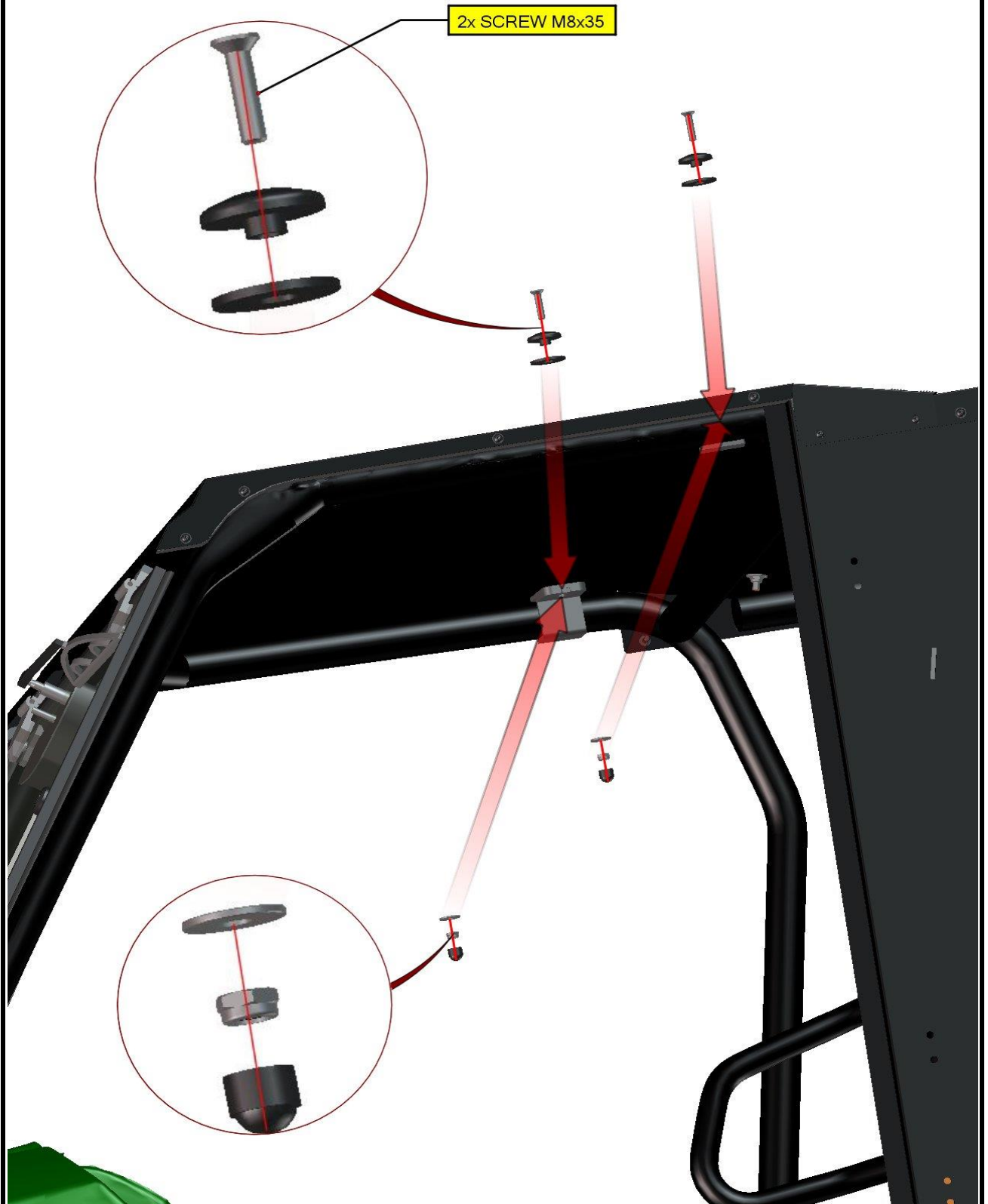
ROOF

Place the front roof side holders onto the roof.

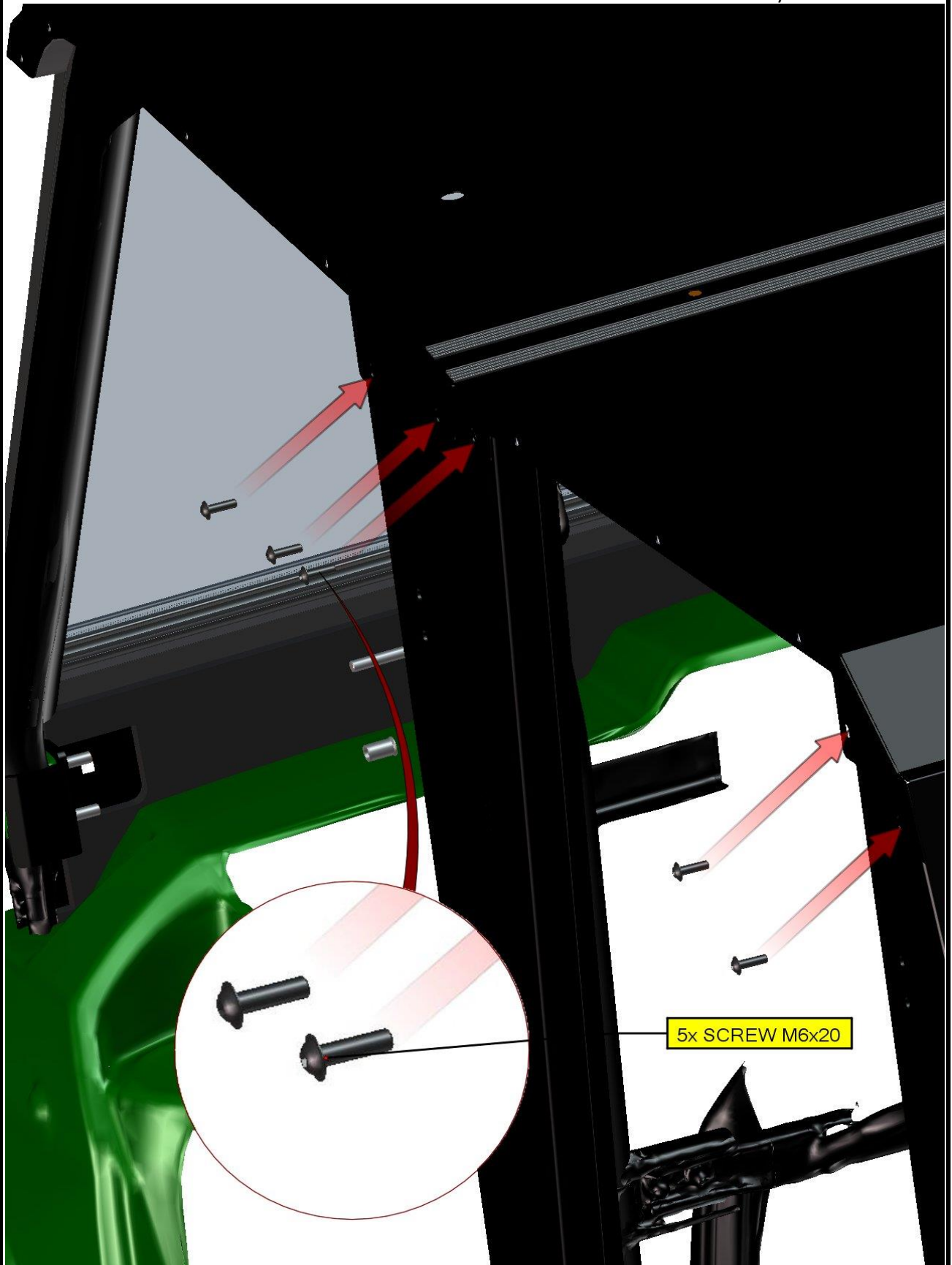


37

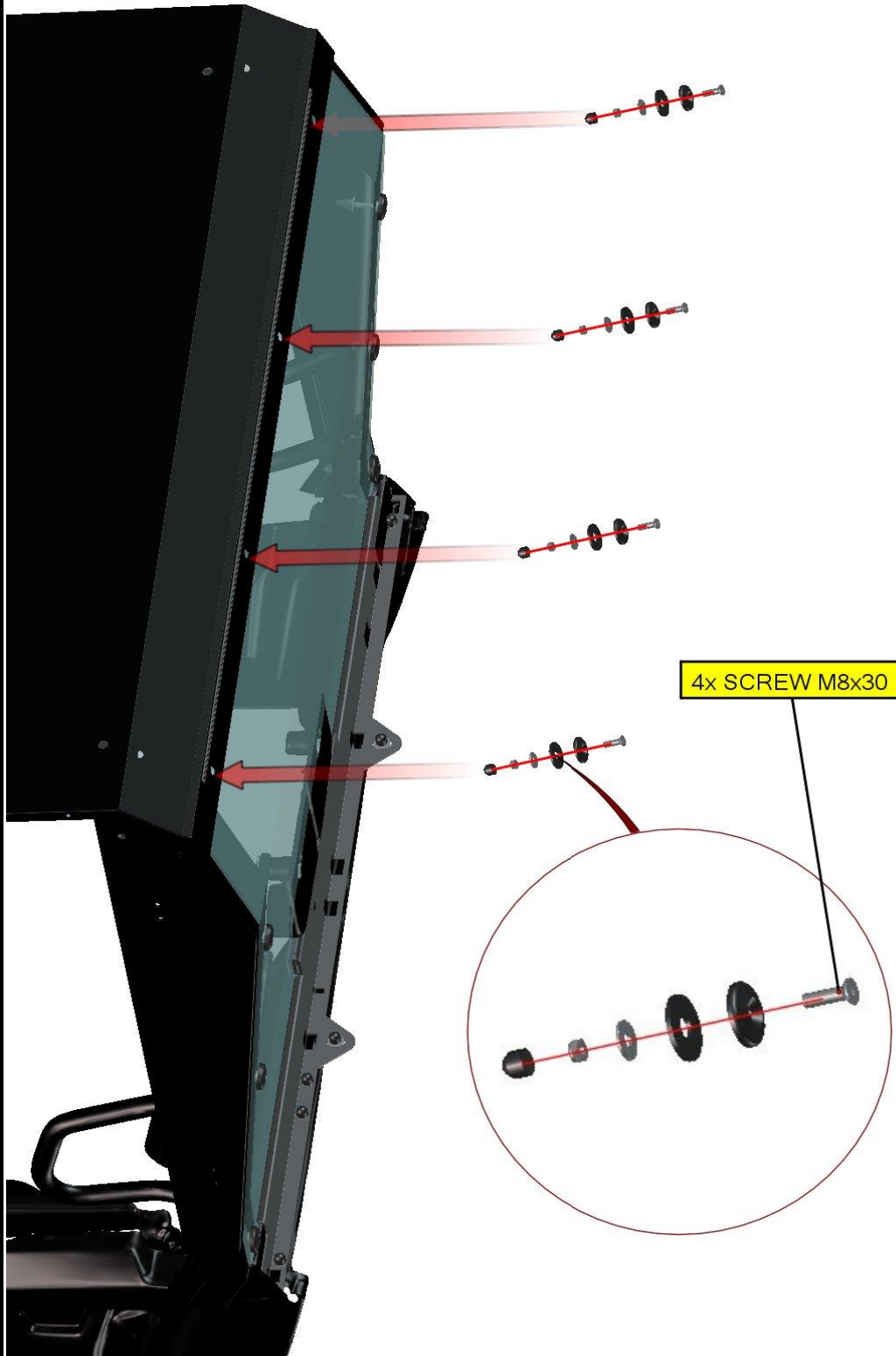
Fix the roof holders with the roof to the roller cage by screws, washers, nuts and nut covers.



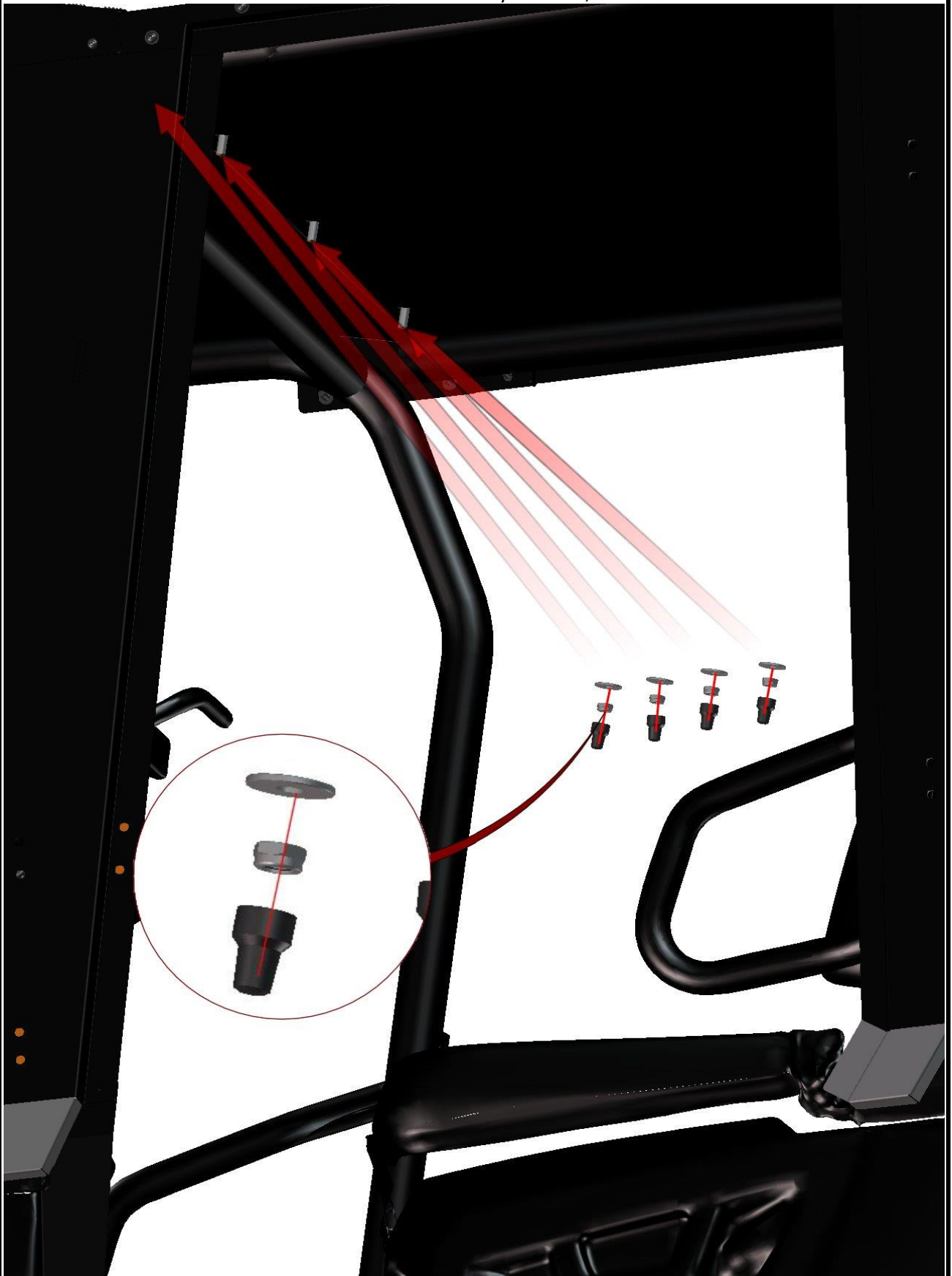
Fix the rear and front roof with the rear door base and the middle door base by screws.



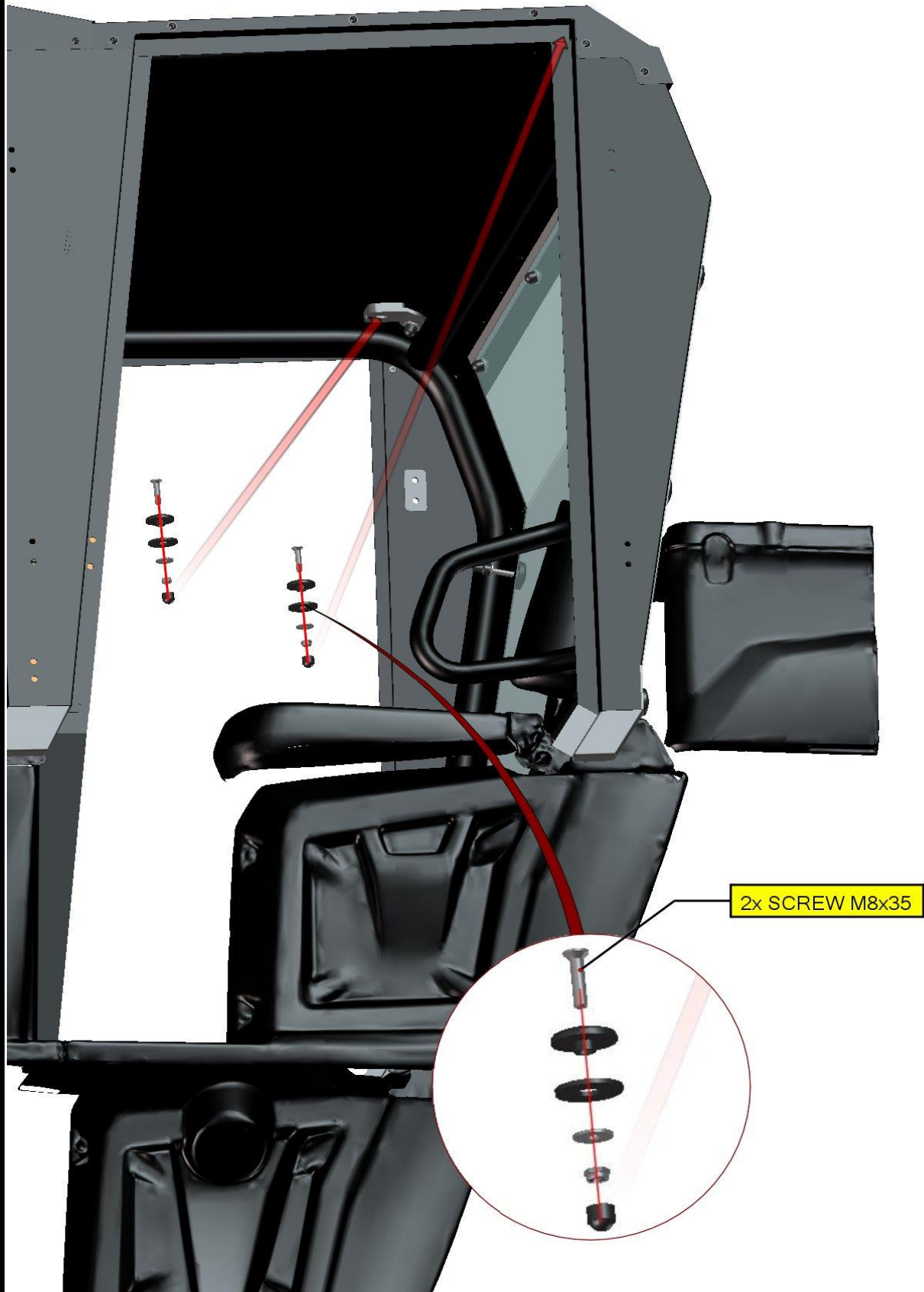
Fix the rear roof with the rear polycarbonate panel by screws, washers, nuts and nut covers.



Fix the front roof with the rear roof by washers, nuts and nut covers.

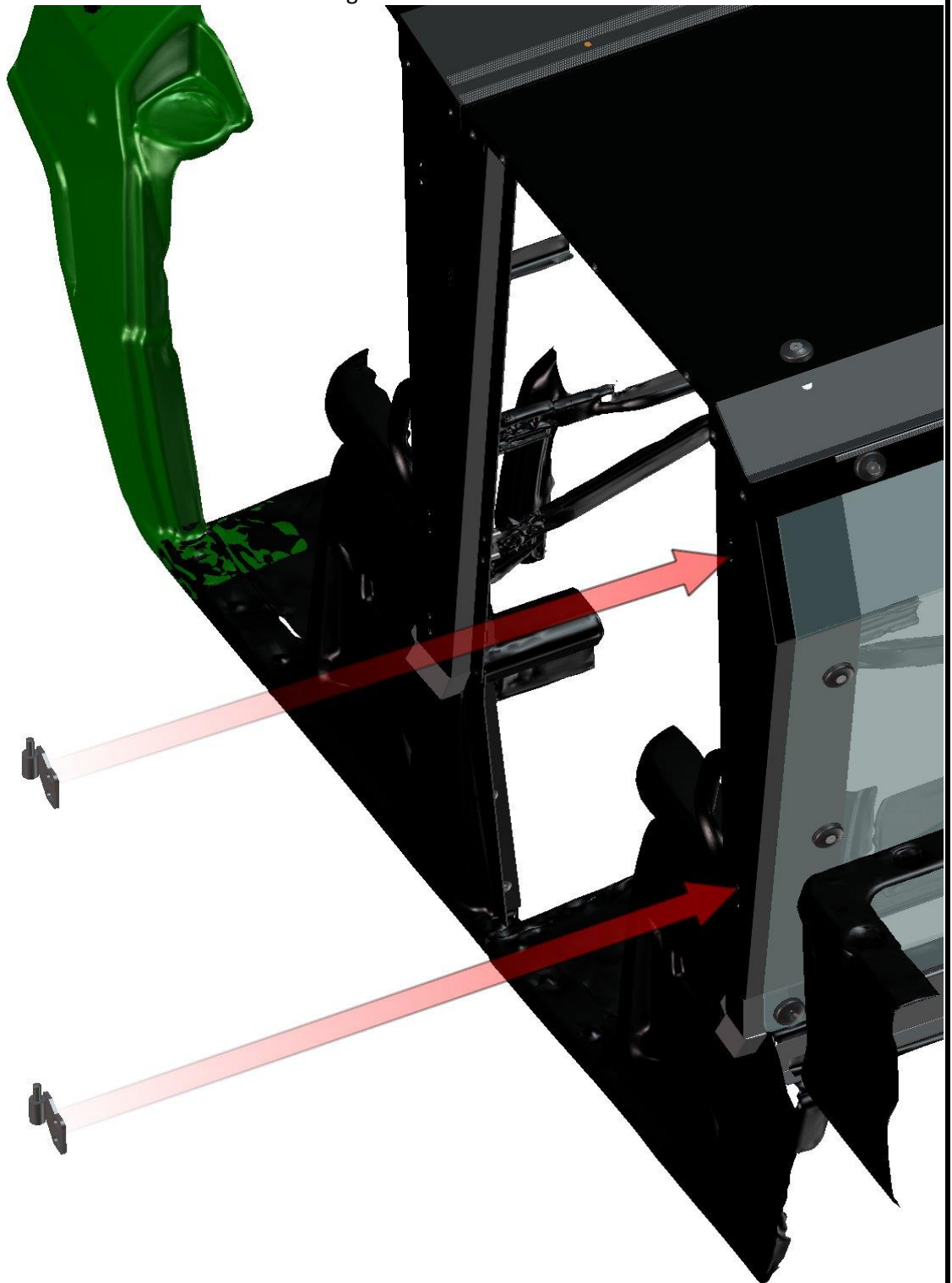


Fix the rear roof with the rear roof holders by screws, washers, nuts and nut covers.



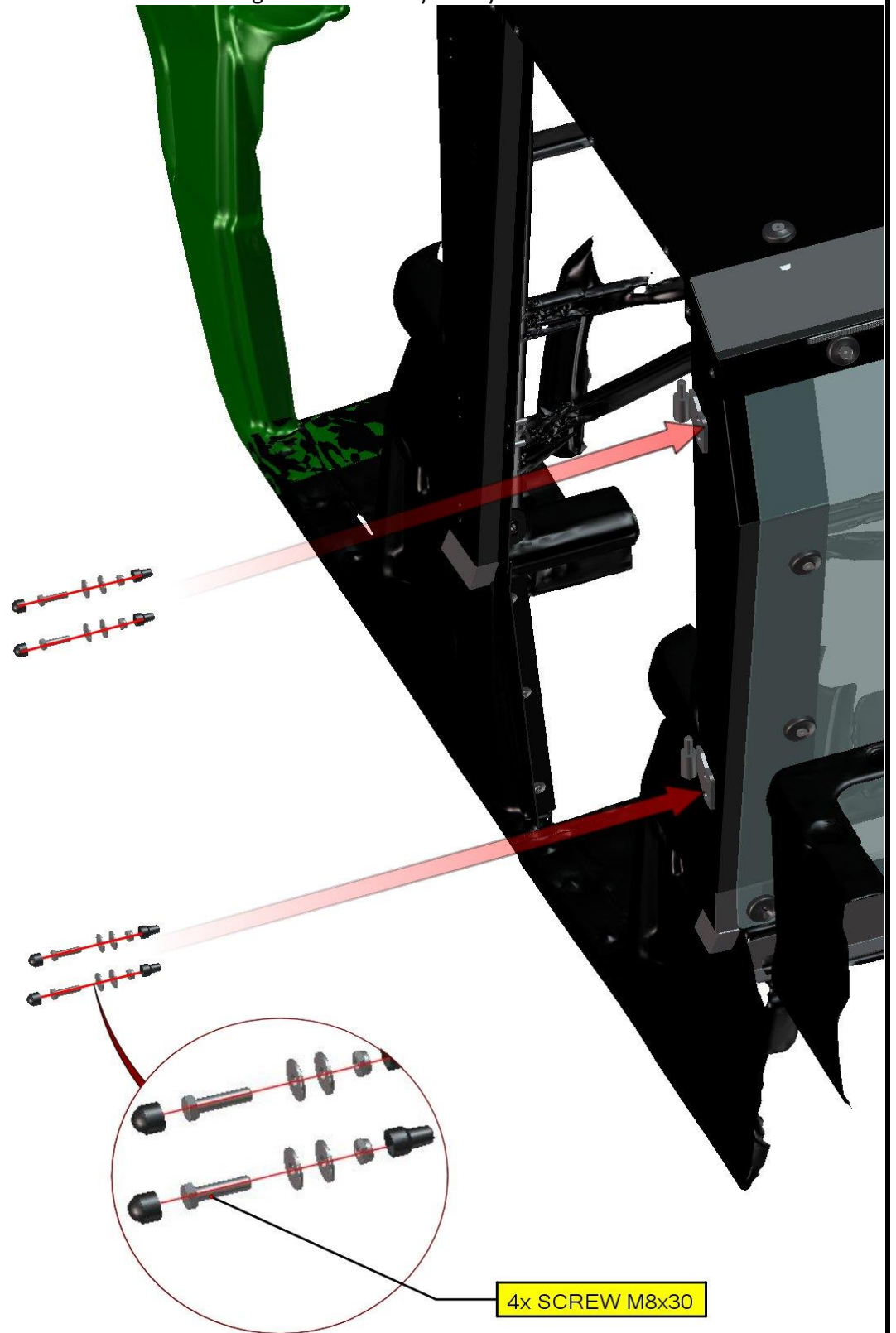
LEFT AND RIGHT DOOR

Place the hinges onto the door base.

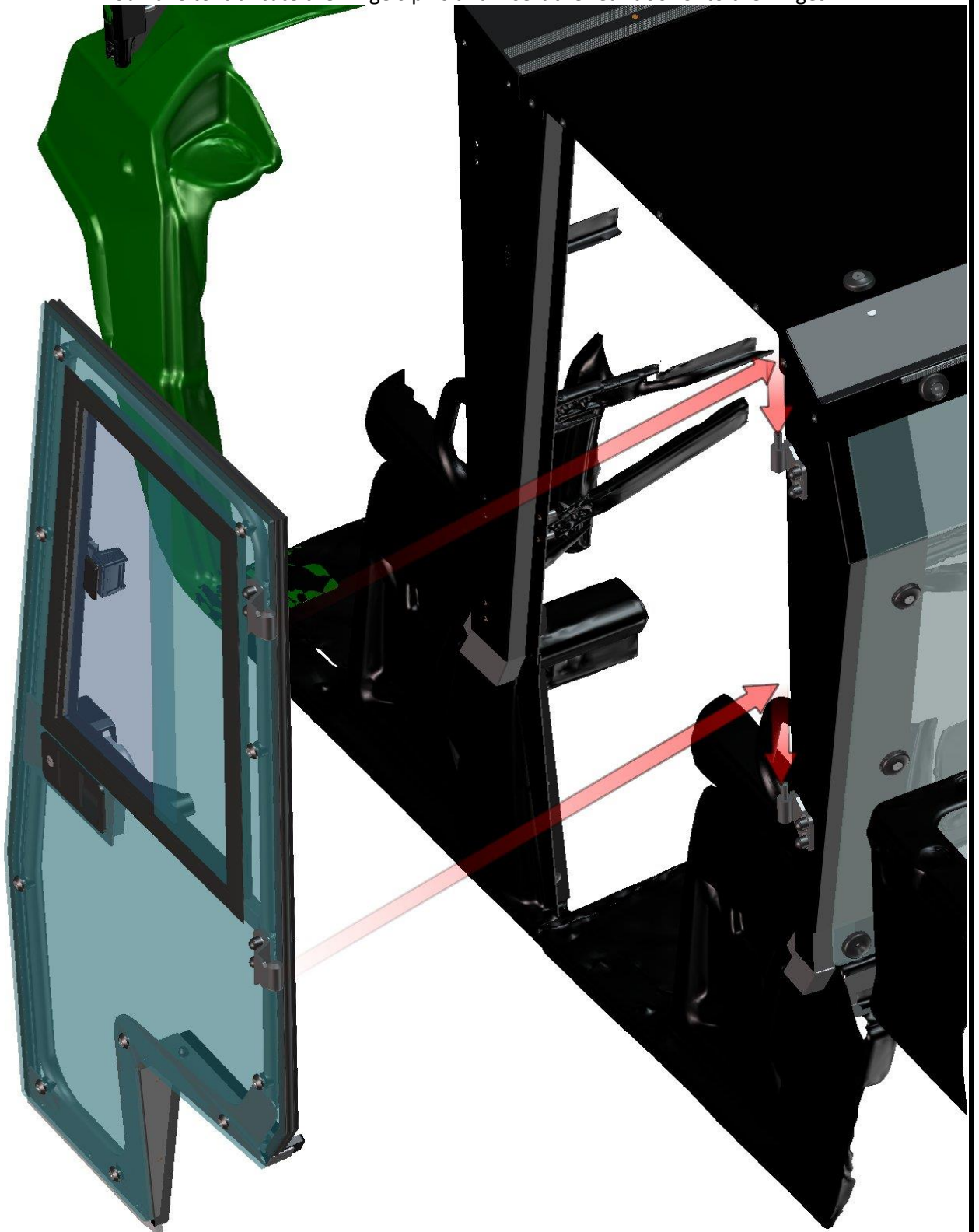


43

Fix the hinges with the door base by screws, washers, nuts and nut covers.
Don't tighten screws very hard yet.

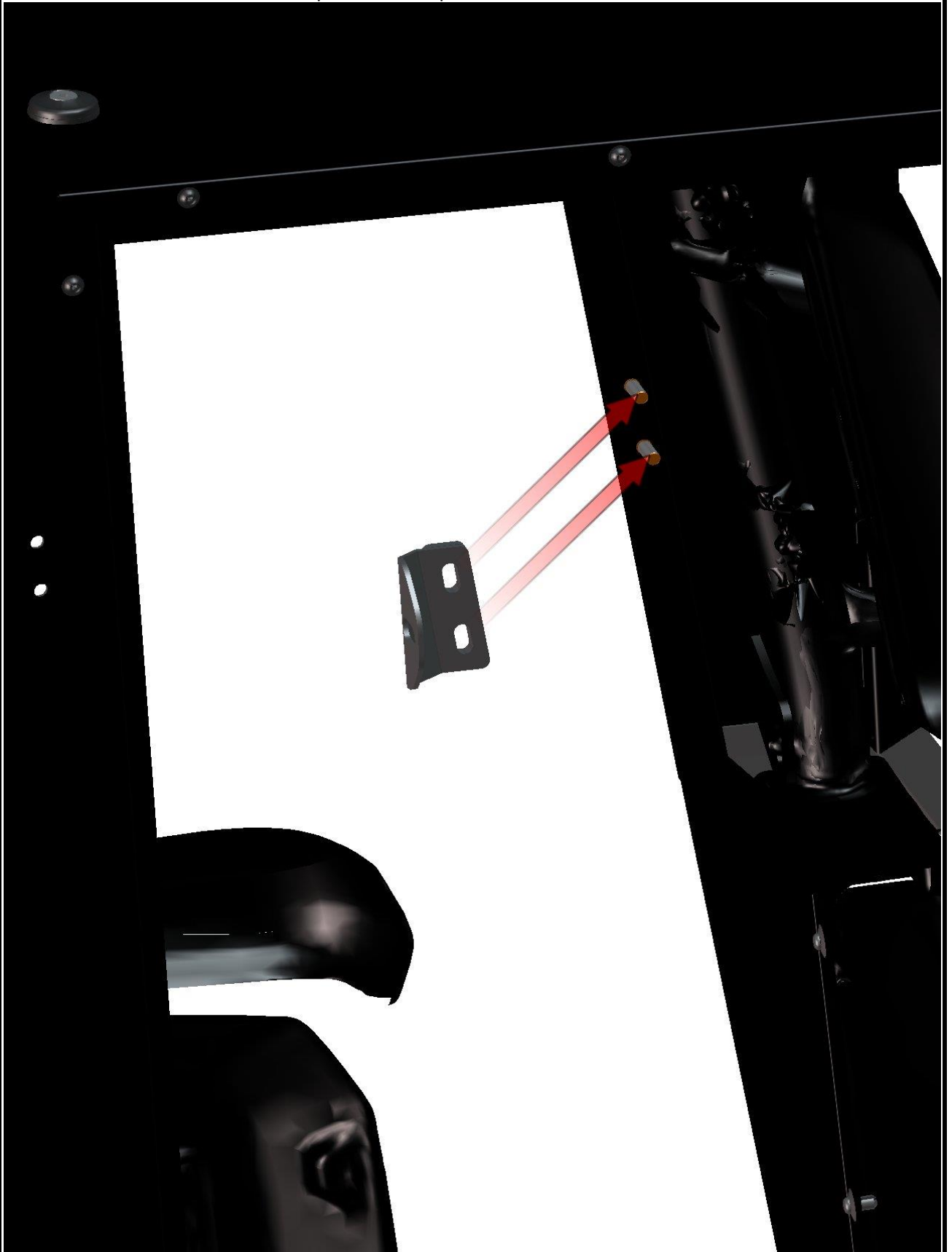


You have to lubricate the hinge's pins and insert the rear door onto the hinges.



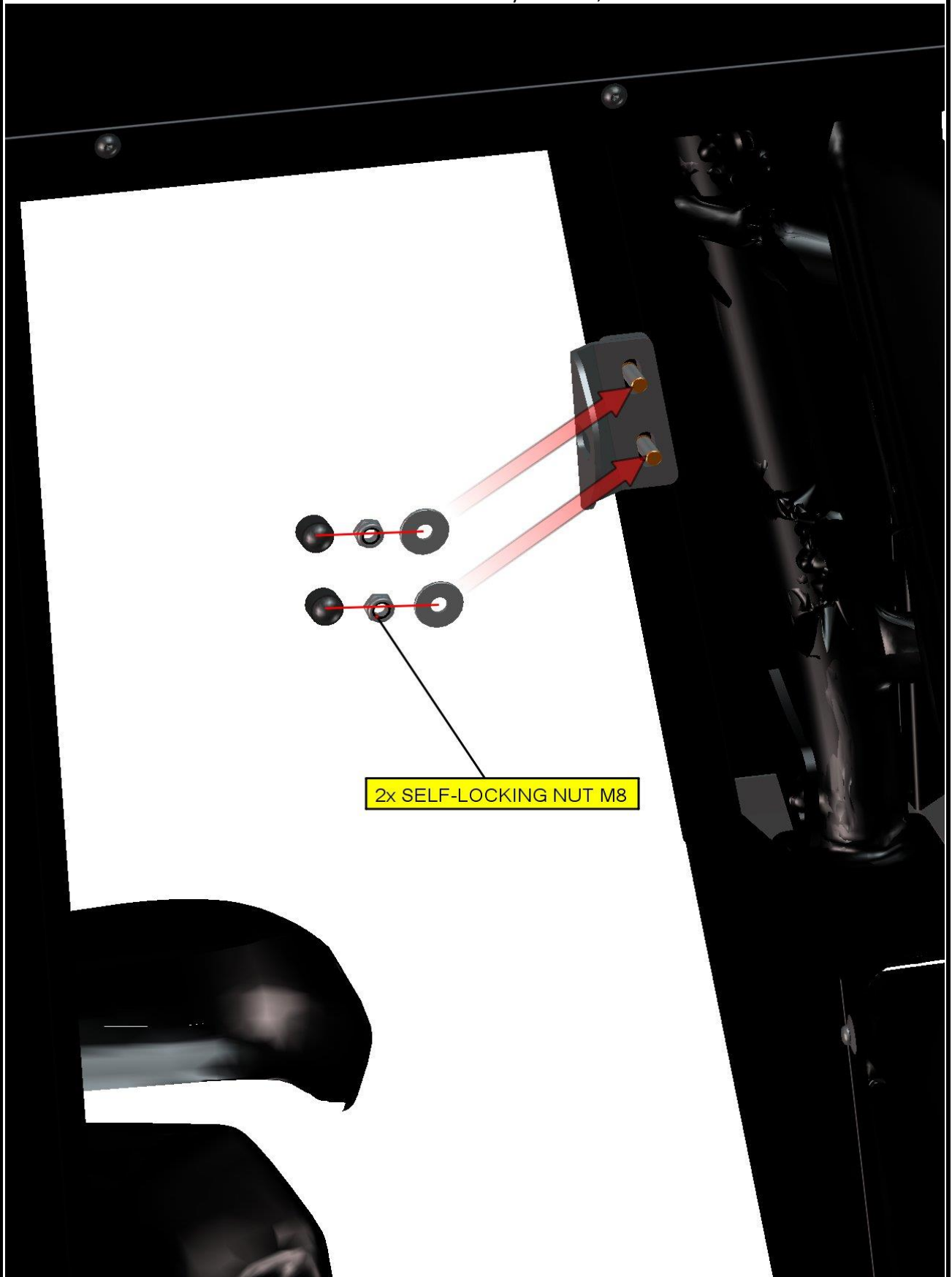
45

Place the rear pin of doorstop holder onto the middle door base.

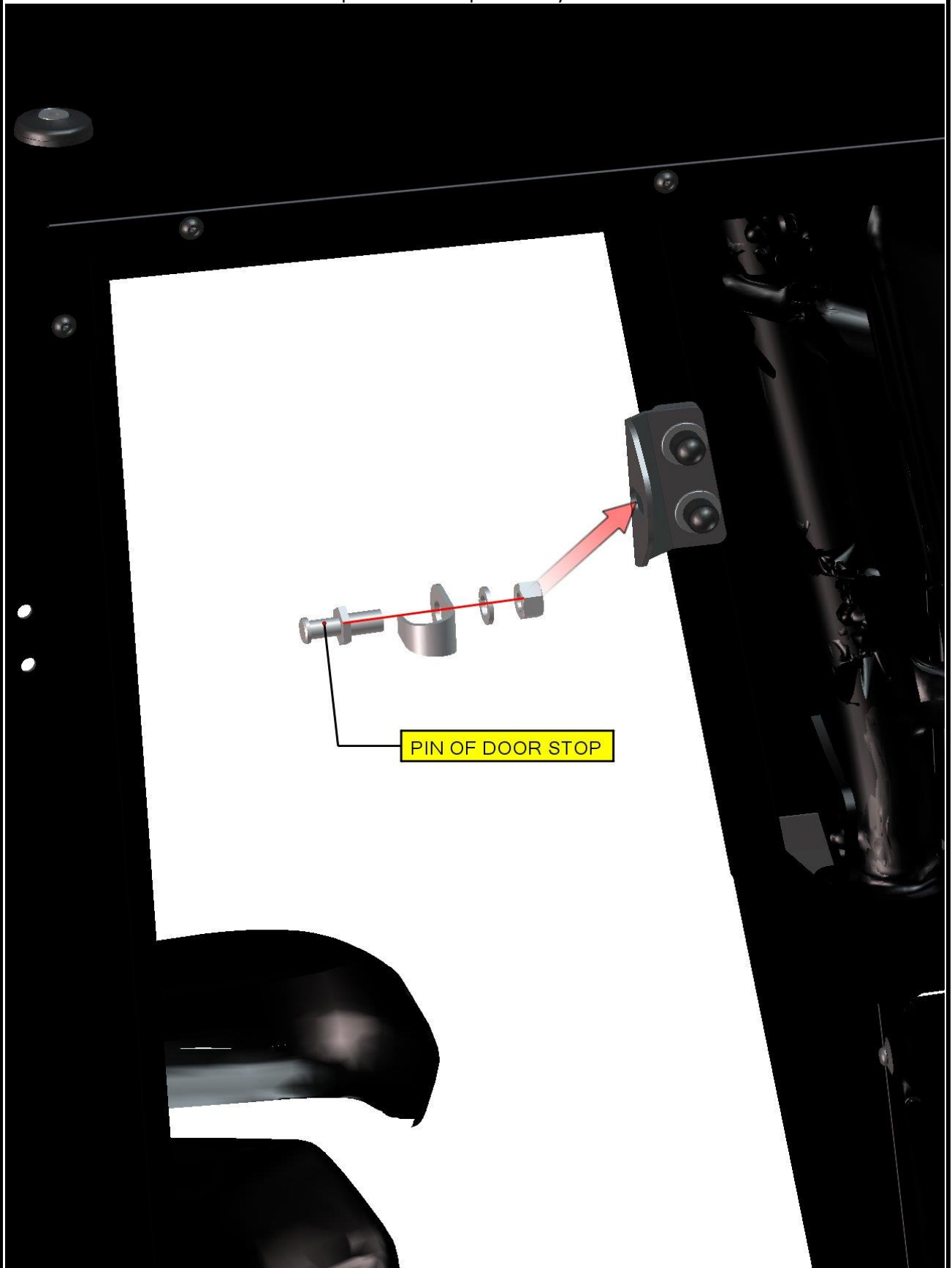


46

Fix the rear holder with the door base by washers, nuts and nut covers.



Install the pin of door stop assembly on the holder.

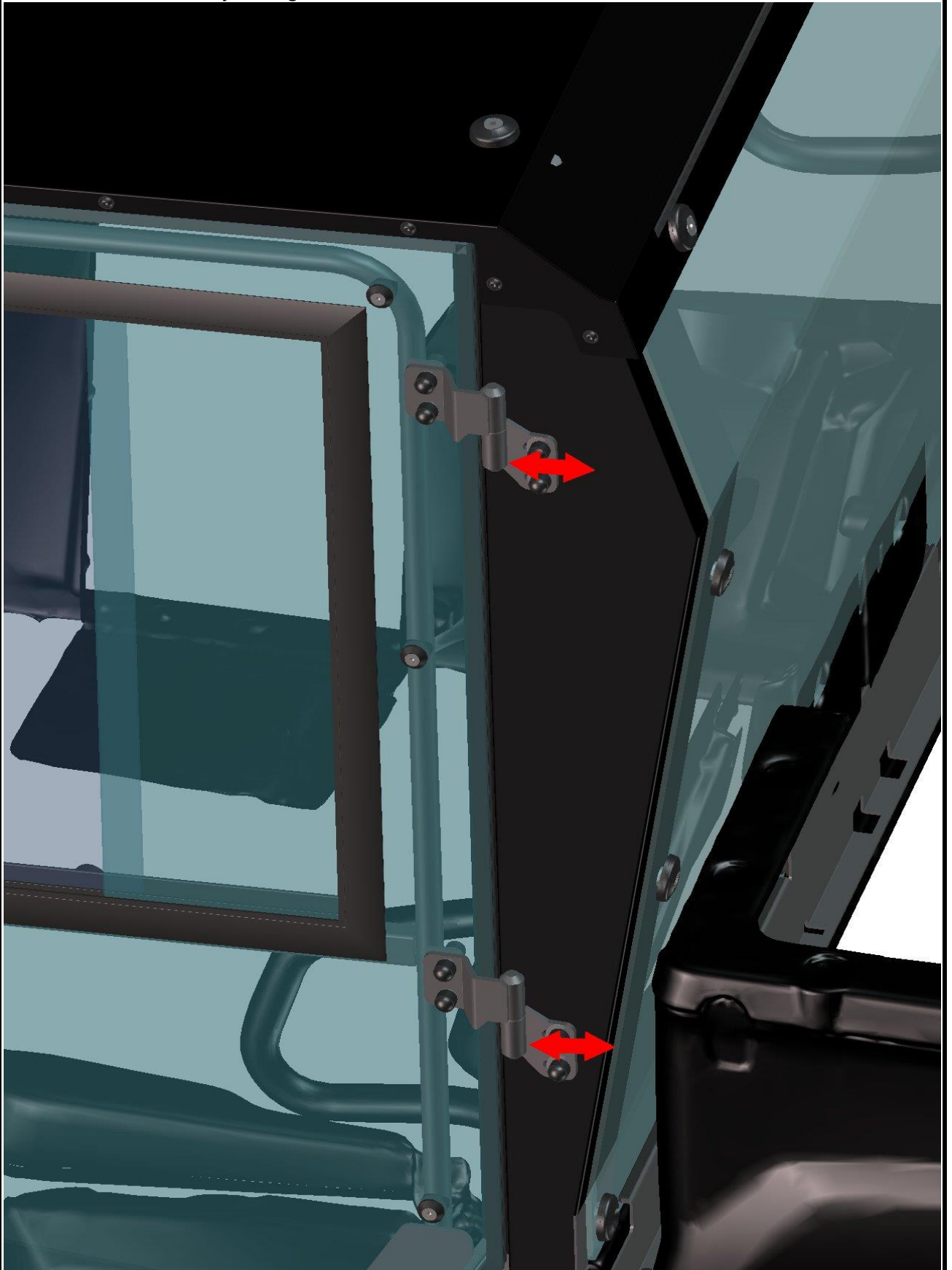


Close the rear door few times and if you need adjust the pin of door stop holder.

If you close the door slowly and holder has been adjusted correctly, you can hear clear metallic click.

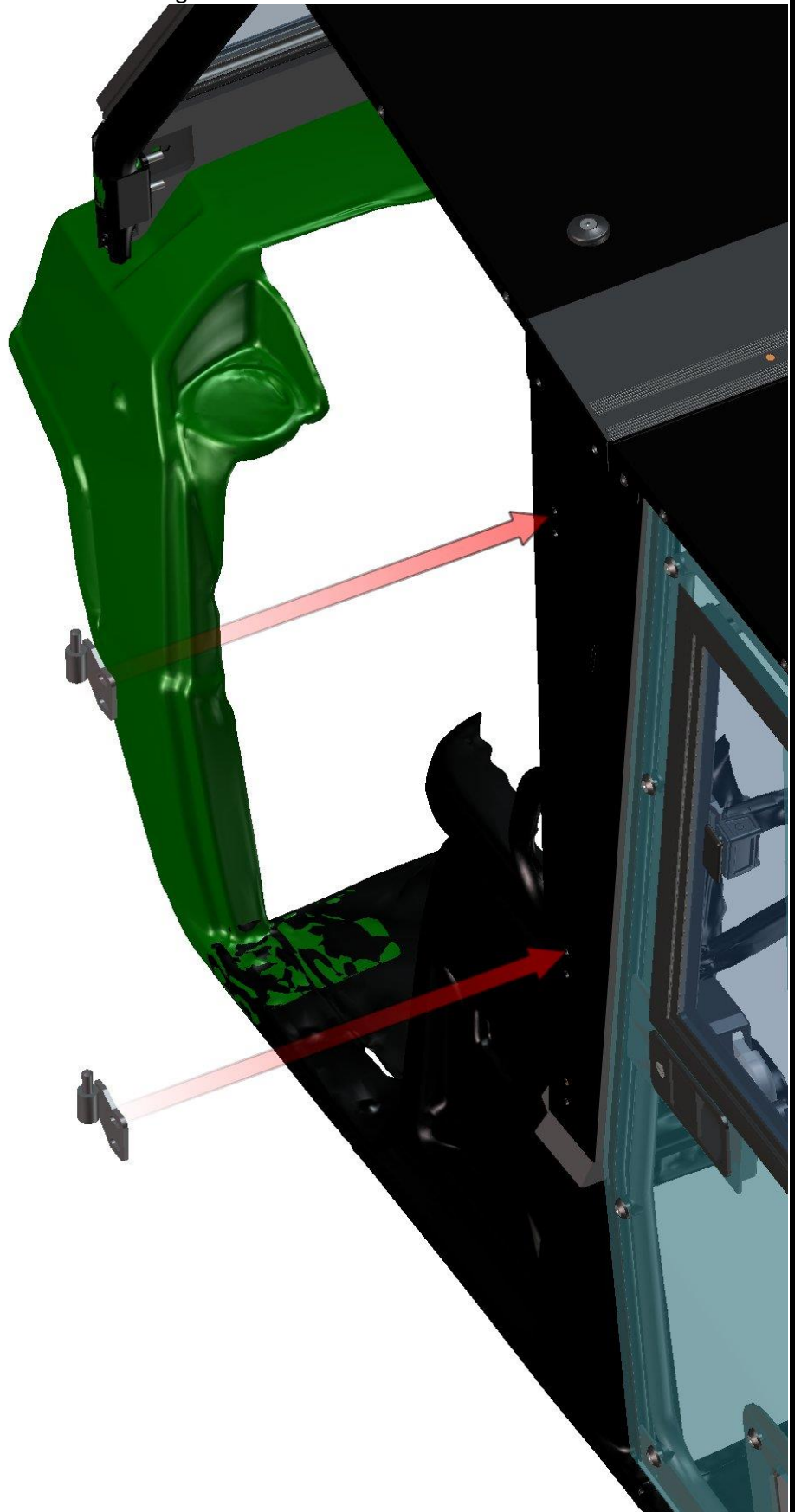


You can adjust hinges to make door outlines colinear with door bases and roof.

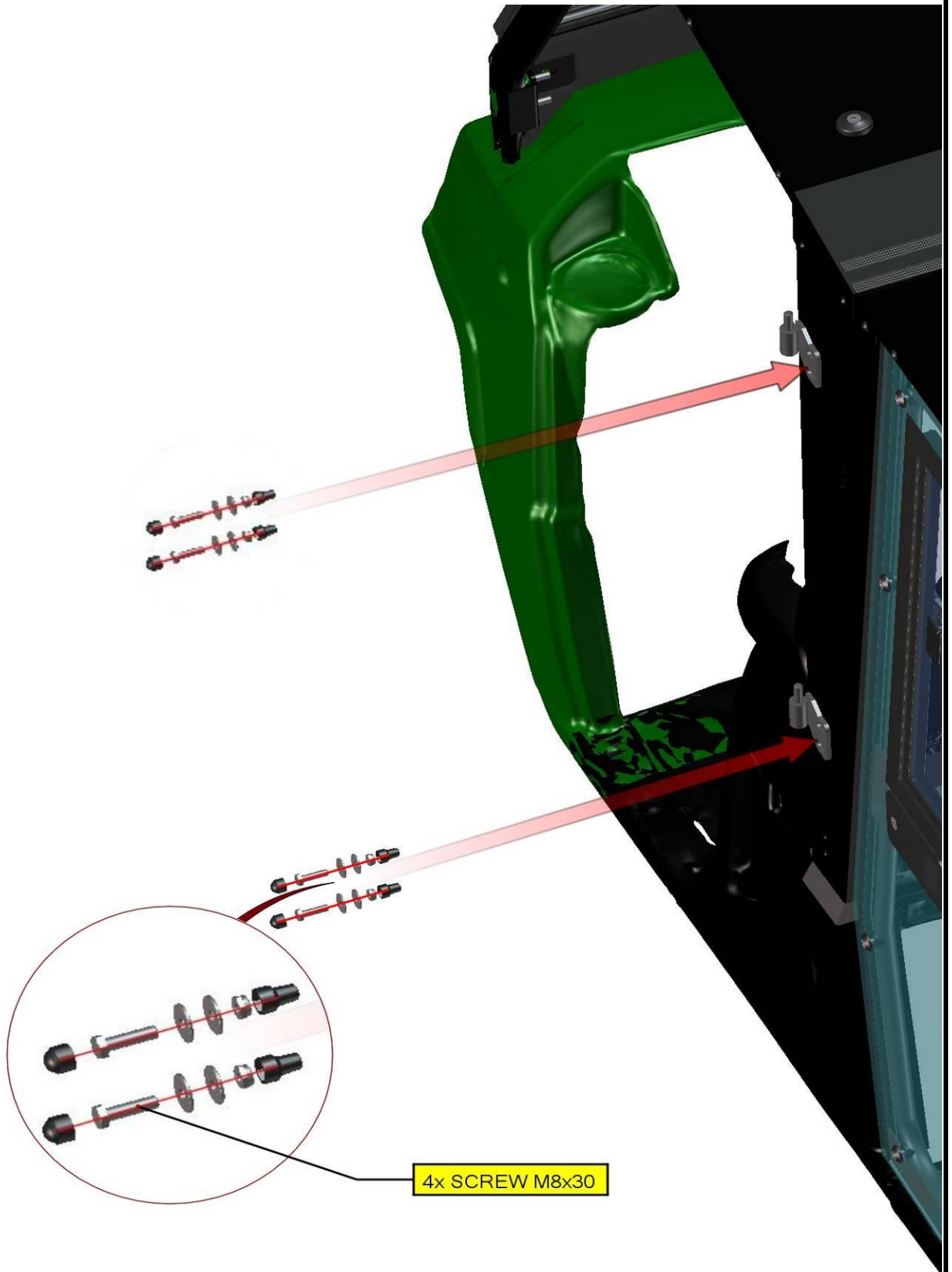


50

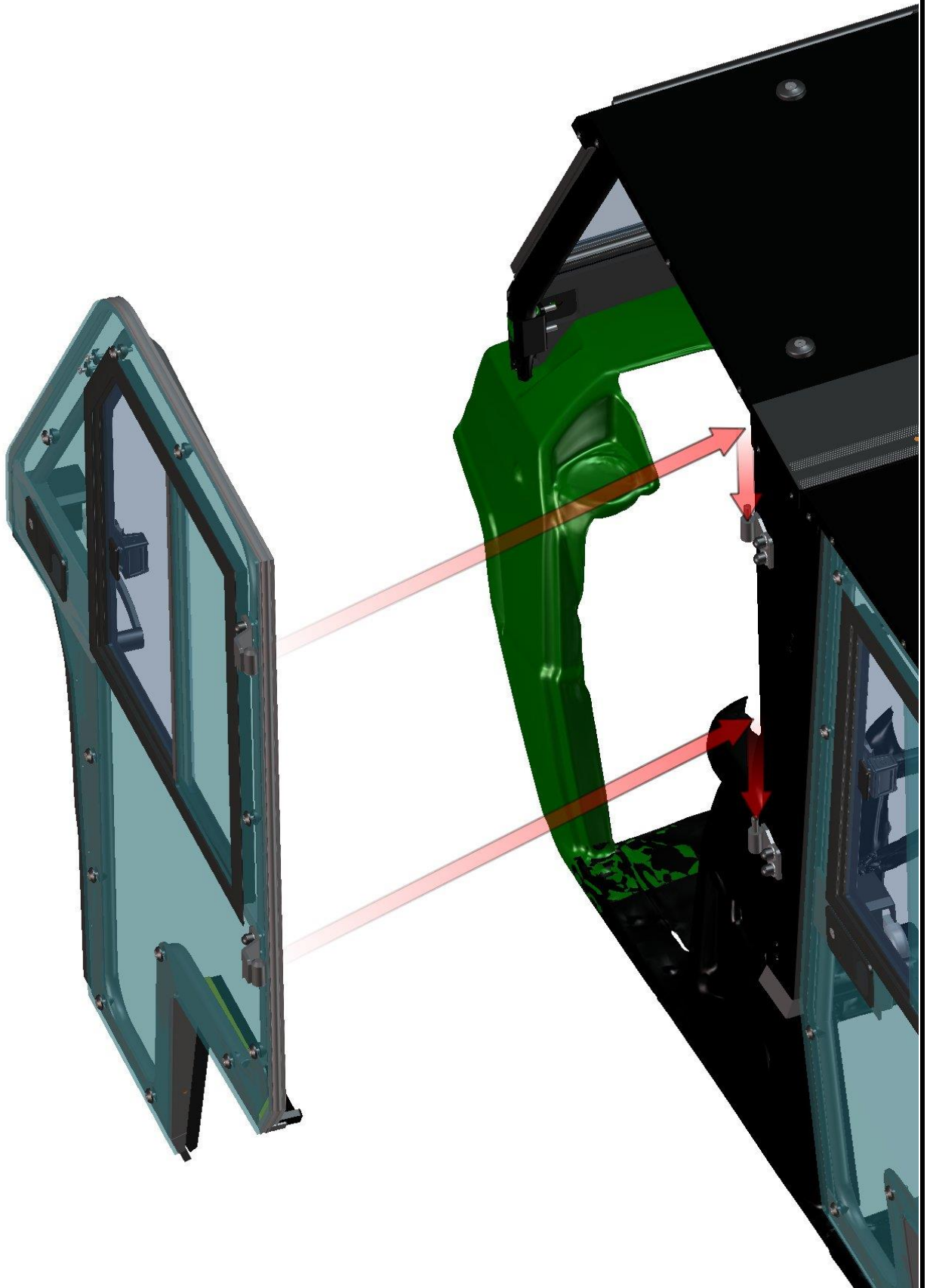
Place the hinges onto the door base.



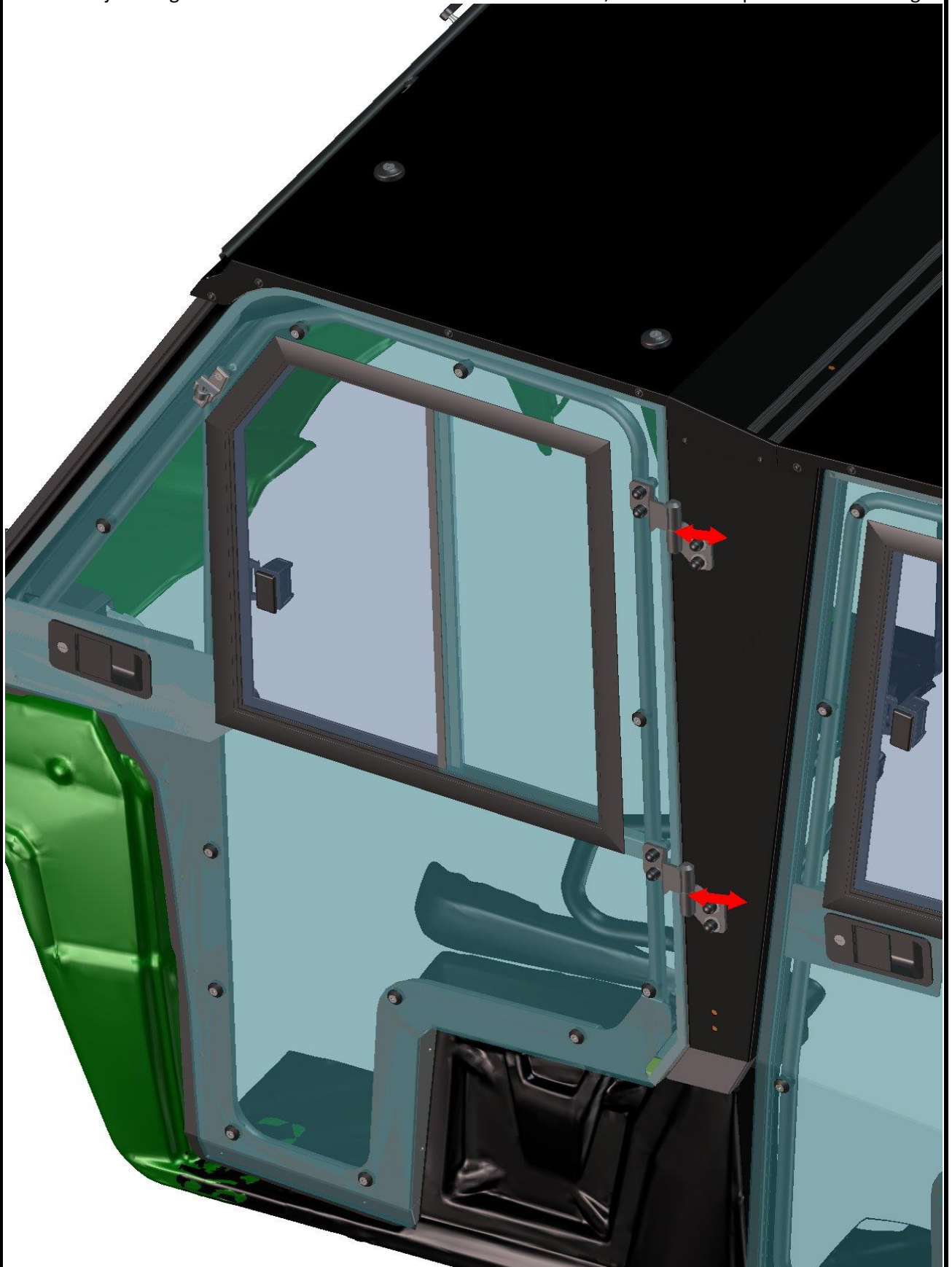
Fix the hinges with the door base by screws, washers, nuts and nut covers.
Don't tighten screws very hard yet.



You have to lubricate the hinge's pins and insert the front door onto the hinges.



You can adjust hinges to make door outlines colinear with door base, roof and front part of the roller cage.



54

Adjust the pin of door stop holder to best position.

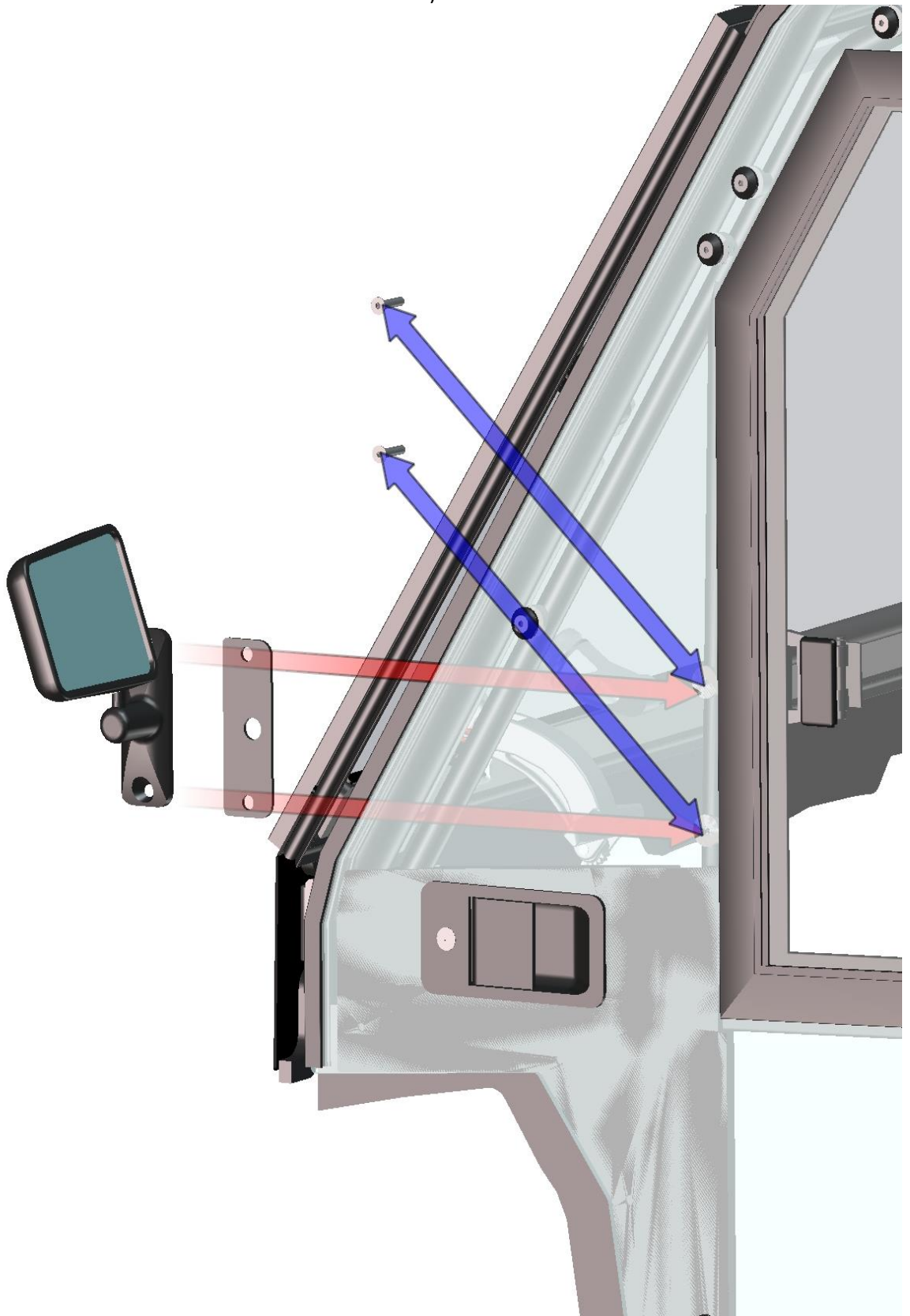
If you close the door slowly and holder has been adjusted correctly, you can hear clear metallic click.

If you have problems with adjusting the pin holders, you can adjust the door hinges again to better position.



55

Take out the screws from the door (blue arrows) and place the rear mirror and the mirror washer onto the door panel (red arrows). Fix the mirror and the washer with the door by screws from previous step (blue arrows).



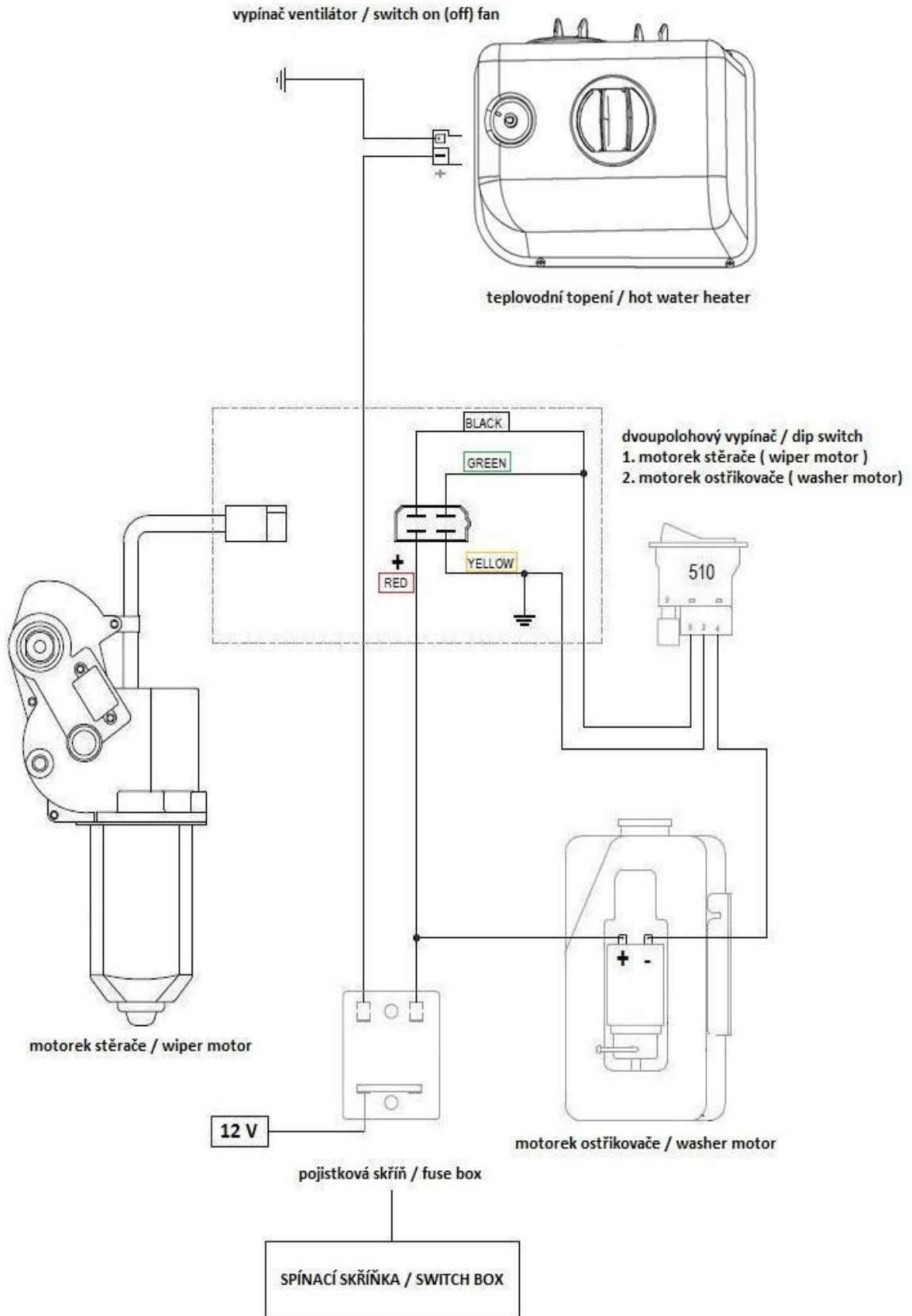
Installation of the right doors is similar with installation of the left door.



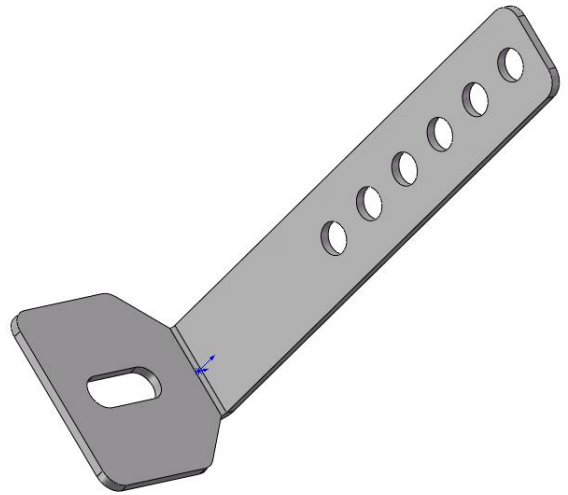
57

ELECTROINSTALLATION

Overall wiring diagram (wiper, washer, heating).



Accessories for mounting the bottle washer.



Washer tank has to be placed under the rear seat.



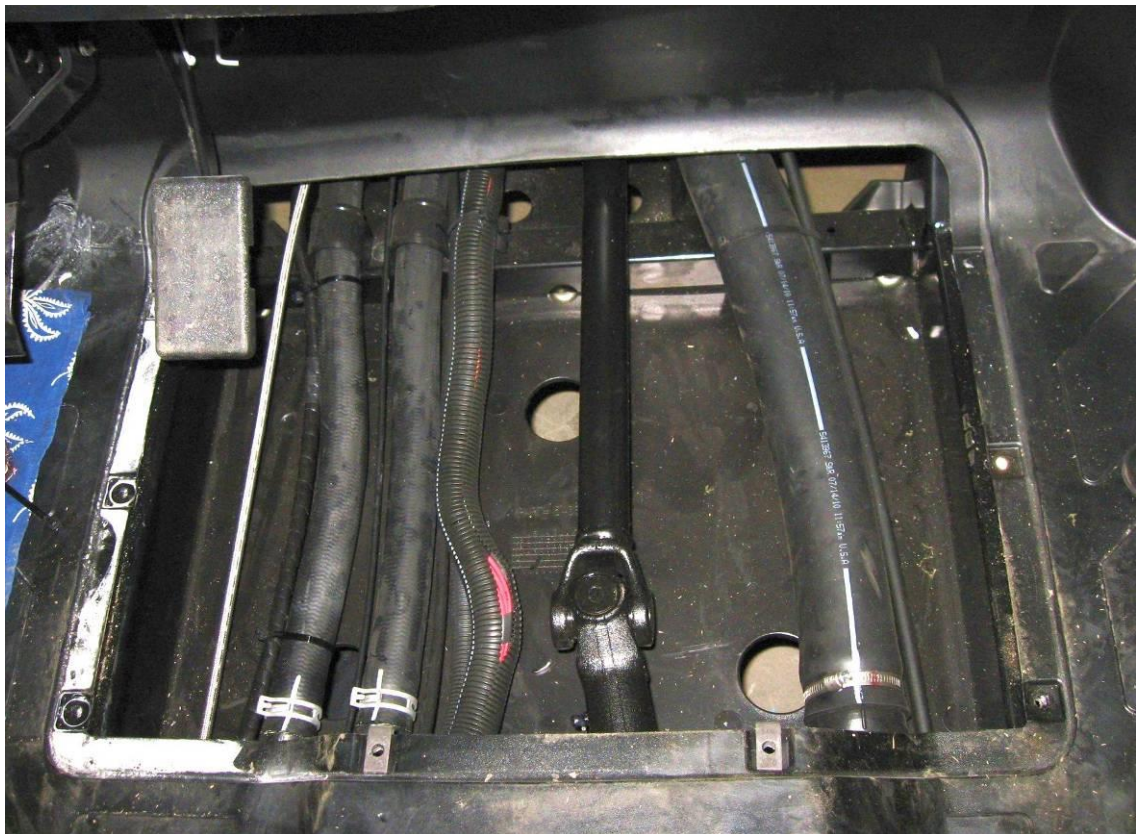
Electrical wiring for the washer pump is kept in a harness.



Connect the harness branch no.: 1 with washer pump. (detail)

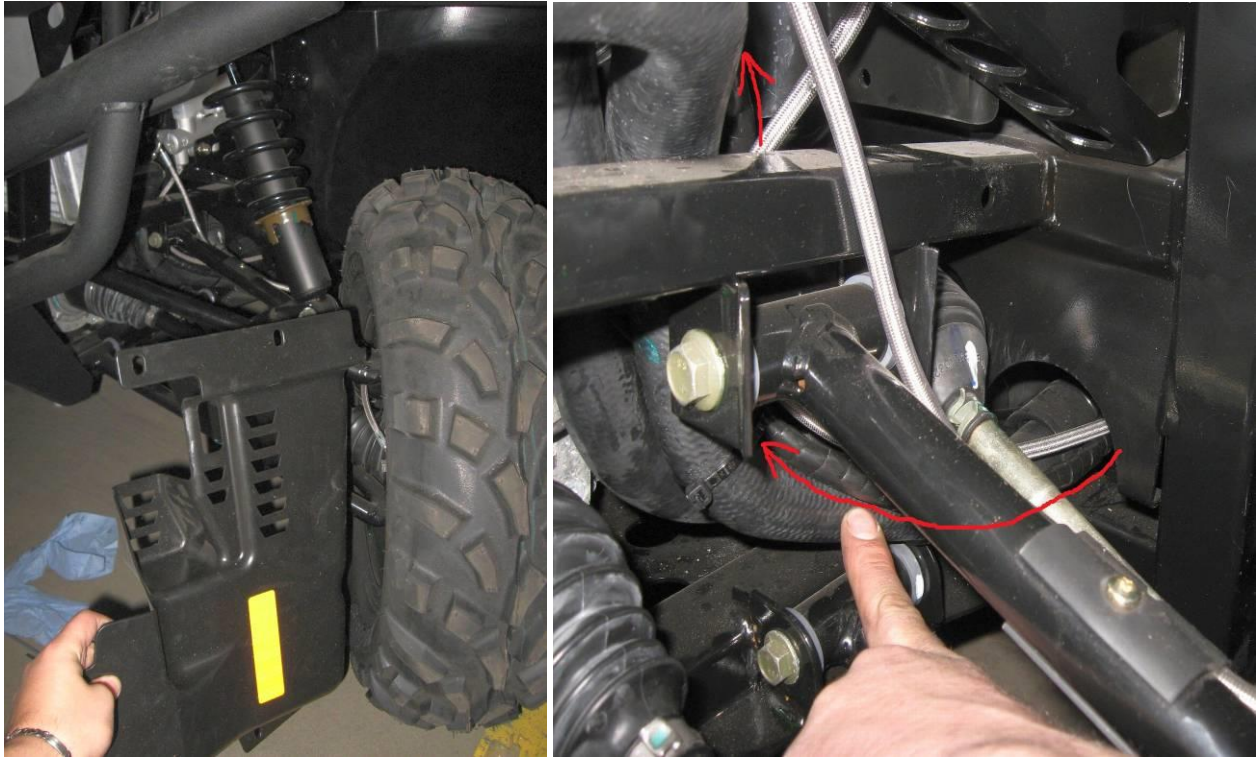


Dismount the tunnel plastic cover on the cabin floor of the UTV's body.

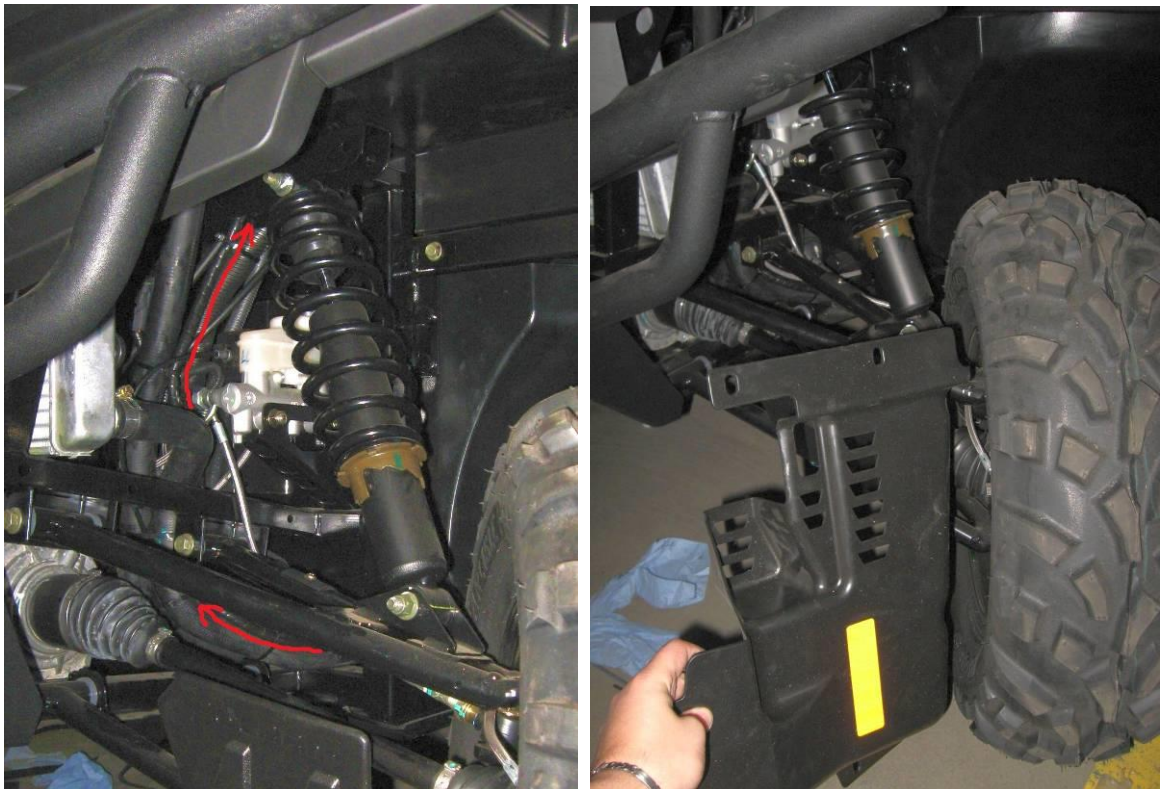


60

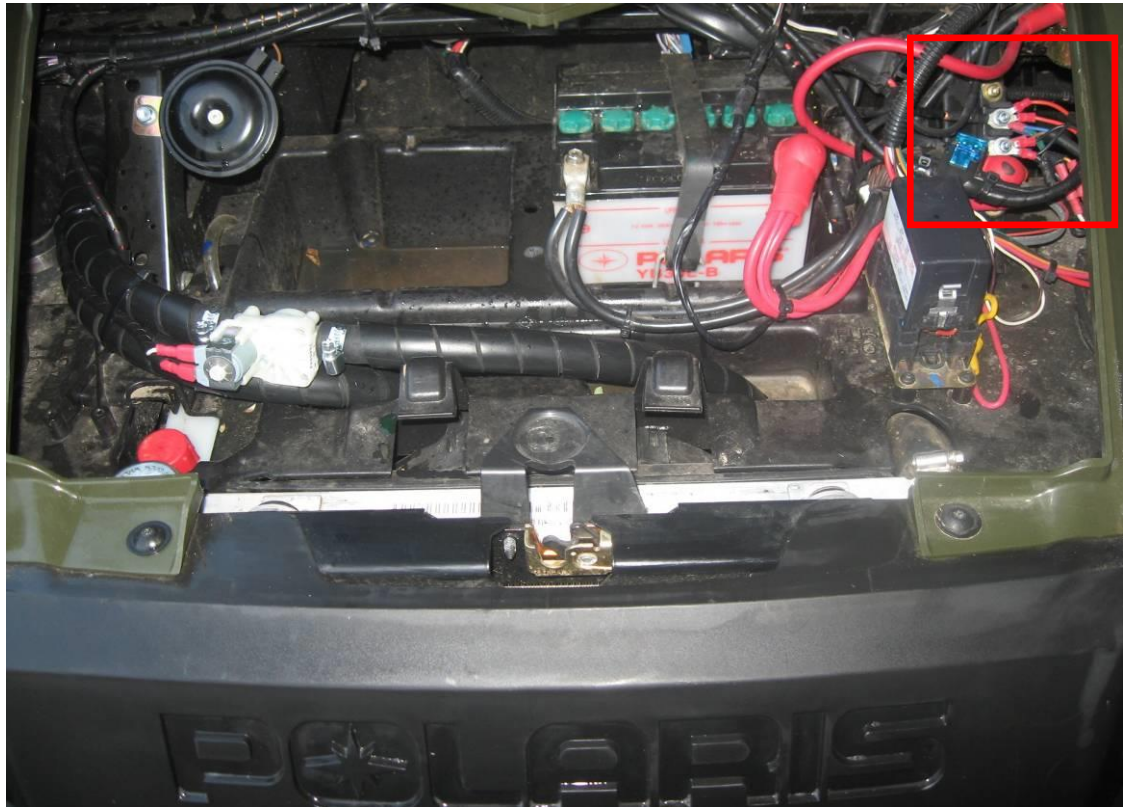
Dismount the plastic cover of the left front wheel. Lead the harness as the arrows show at the picture.



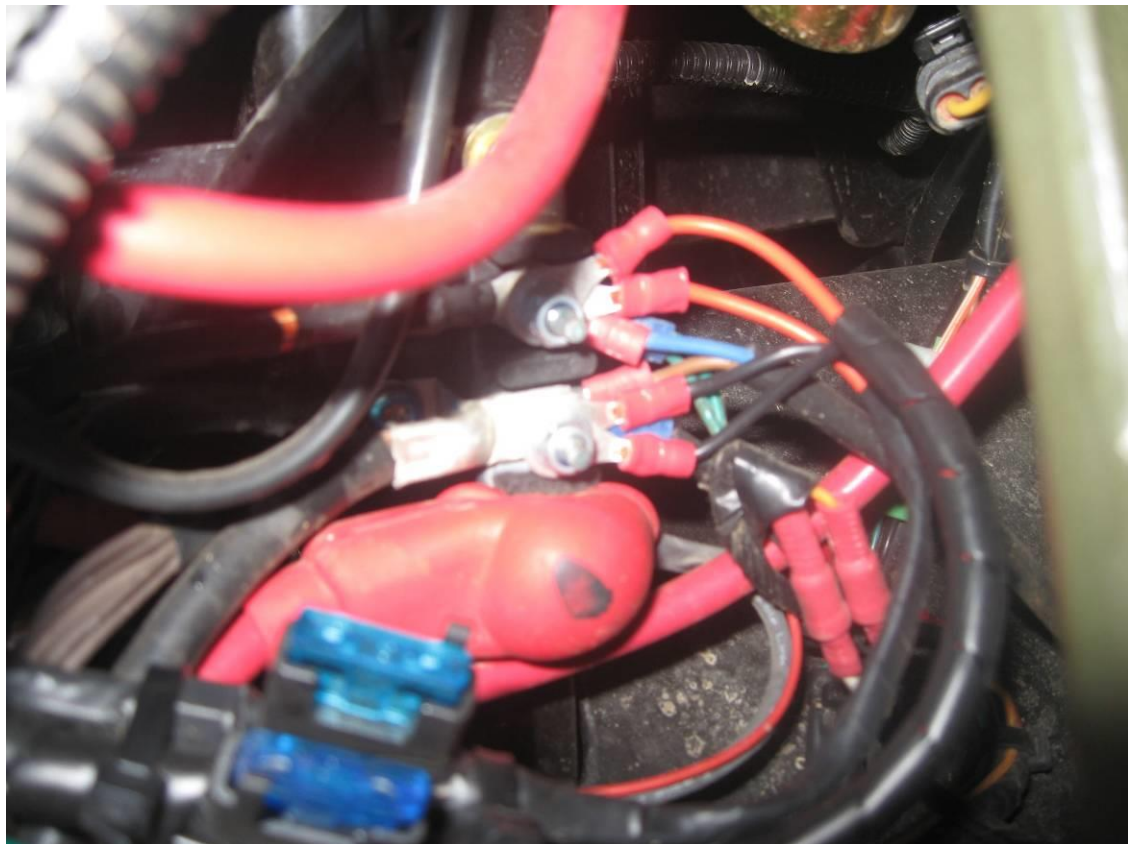
Lead the harness from the cabin floor under the dashboard as shown at the picture.
Place back the plastic cover.



Connect the harness branch no.:2 with main UTV's switch (In red circle).



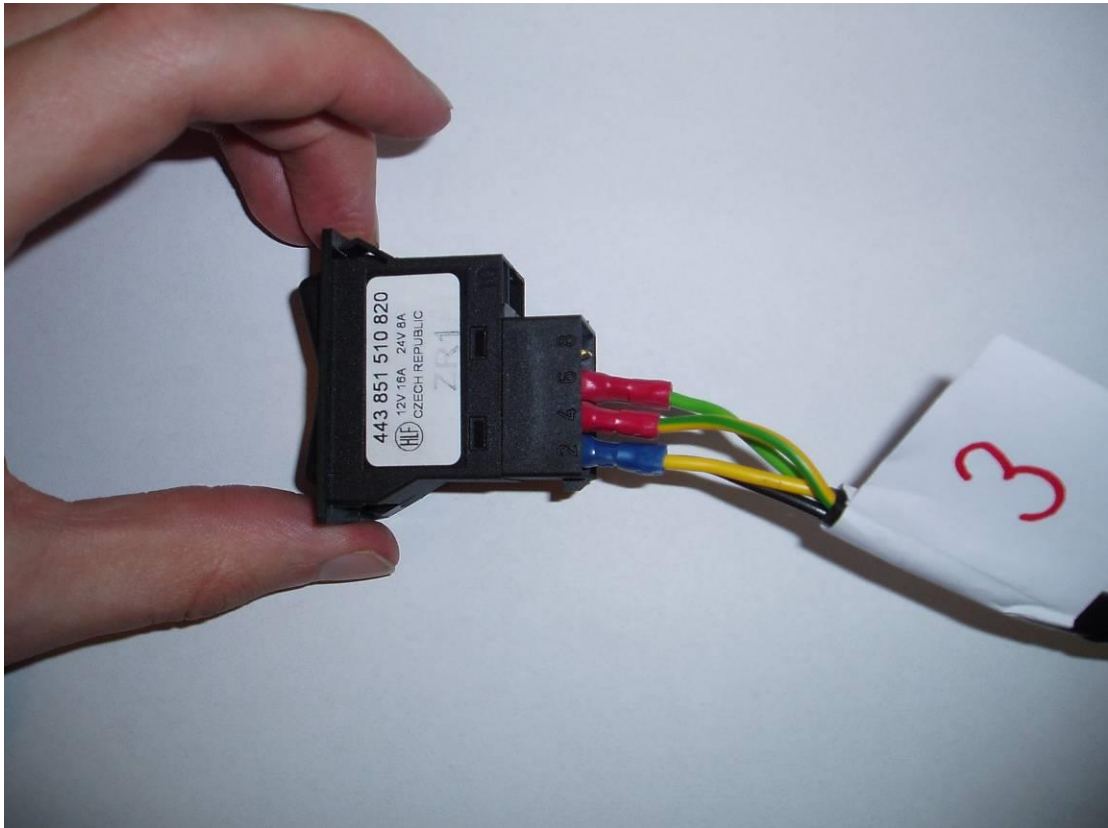
Detail of connection.



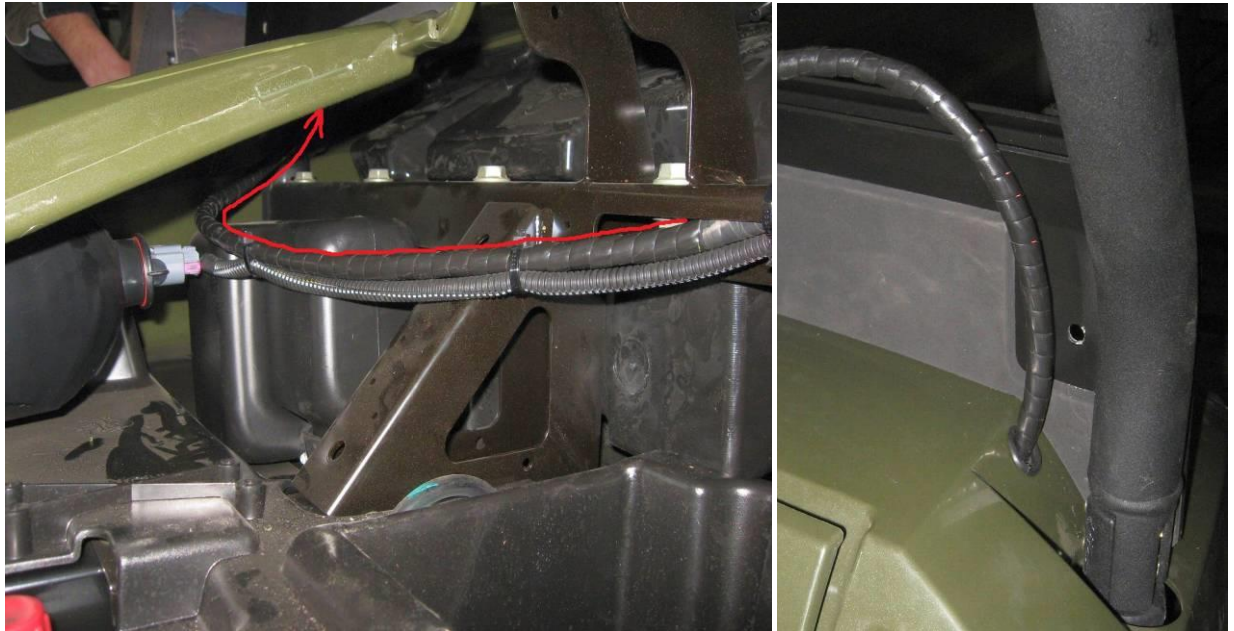
Stretch the harness branch no.:3 trough the hole for switch and connect with switch „wiper/washer“ (in red circle).



Detail of connection.



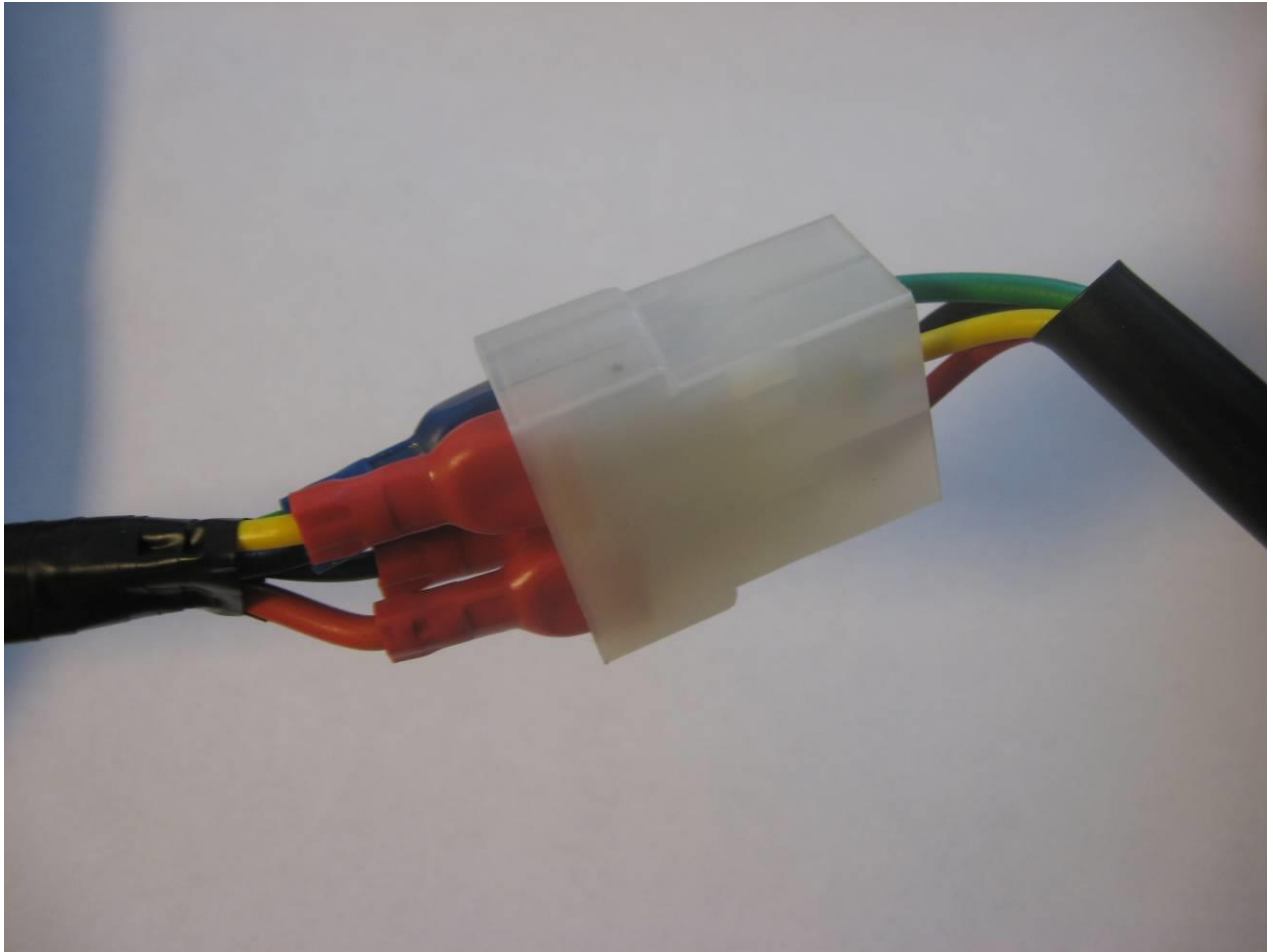
Continue with the wiring inside the dashboard and lead it up on the left side of the roller cage to the wiper motor. Runs along the original wiring harness in the dashboard.



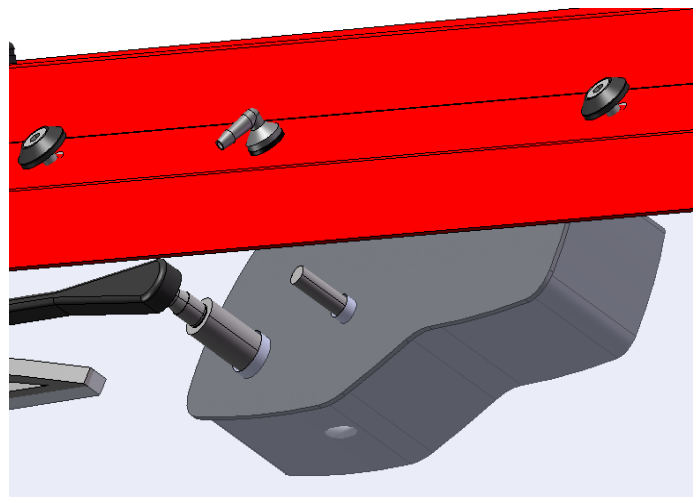
Lead the harness branch no.:4 around the right front part of the roller cage and around roof



Allow the screw in the wiper motor cover and take the cover out.
Connect the harness branch no.:4 with the wiper motor.



Hose connection to washer jet in the roof.



Fill the water to the washer tank before starting usage.

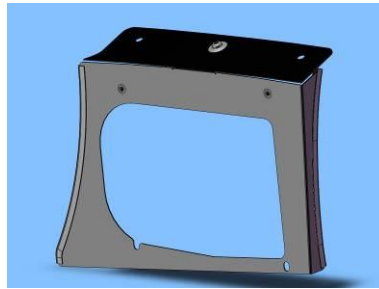
ELECTROINSTALLATION – HEATER SYSTEM:

Accessories for mounting the heater system

harness



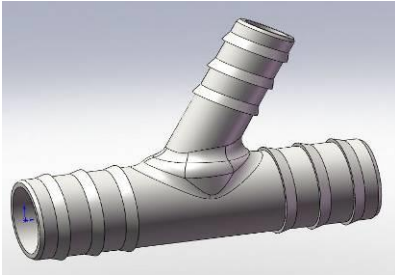
heating holder



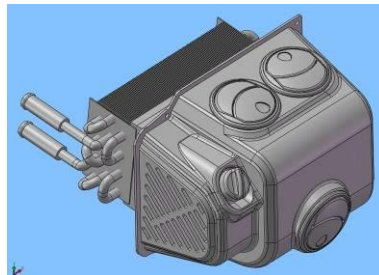
heater flange for petrol engine



“Y” coupling



heater



heater tube for DIESEL engine



tightening straps



electromagnetic vent



screw rivets



bottom part of heater holder



vent switcher

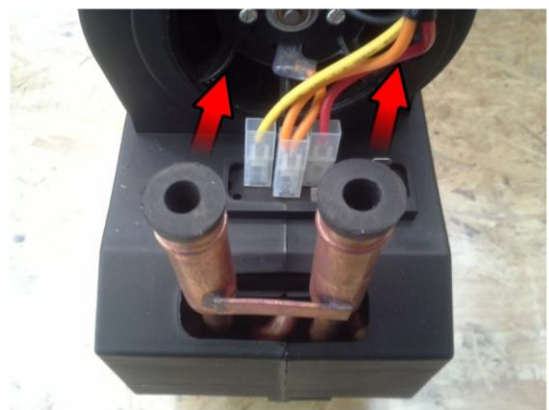
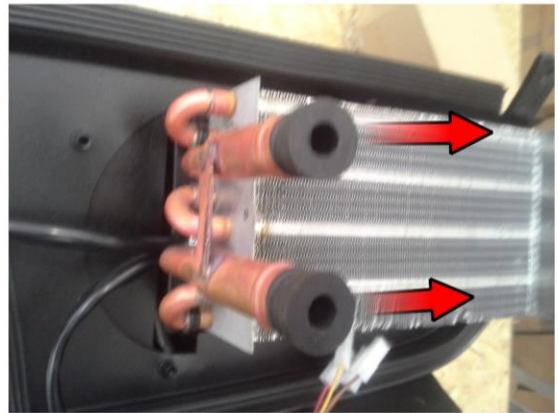


air vent valve



IMPORTANT

IT IS ABSOLUTELY NECESSARY TO TAKE OUT THE RUBBER PLUGS FROM THE HEATER TUBES!!!



57

Heater is designed to be inside the glove box at the dashboard.
Uninstall door of the glove box from the hinge.



Drill 2 holes ϕ 25mm on the left side of the glove box at the dashboard.



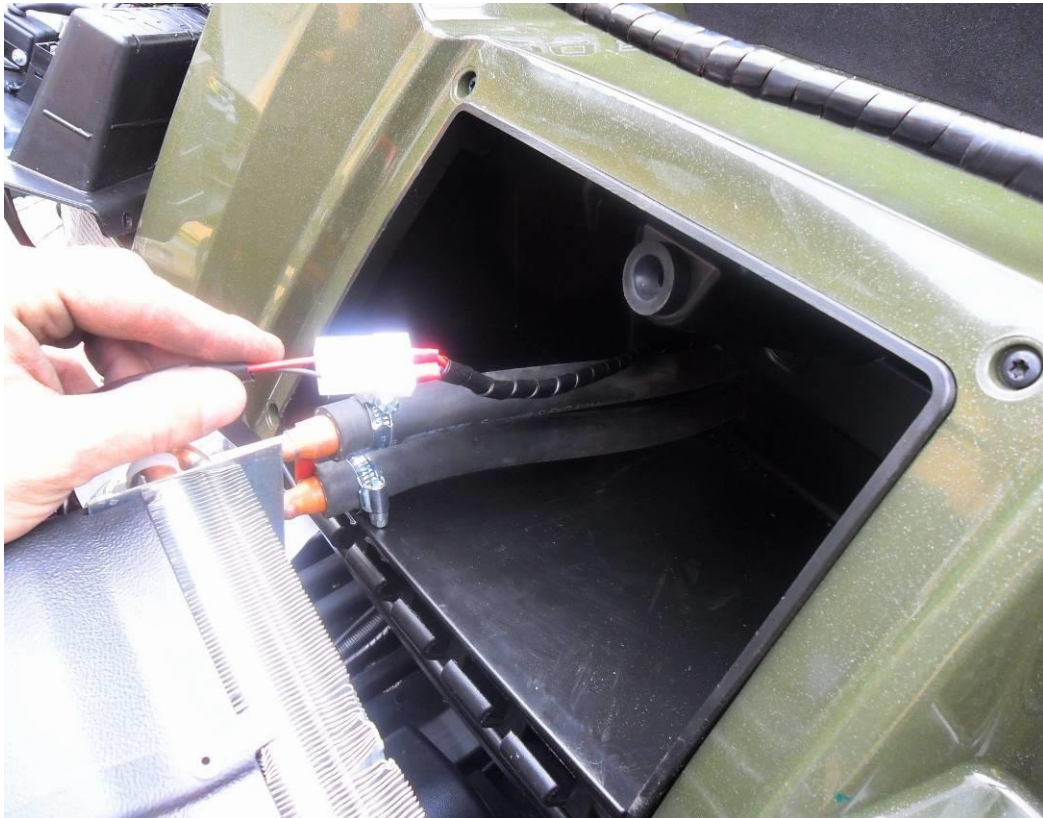
Outside view from the front side. (Holes are in red circles)
Drill hole $\phi 10\text{mm}$ to the upper side of glove box.



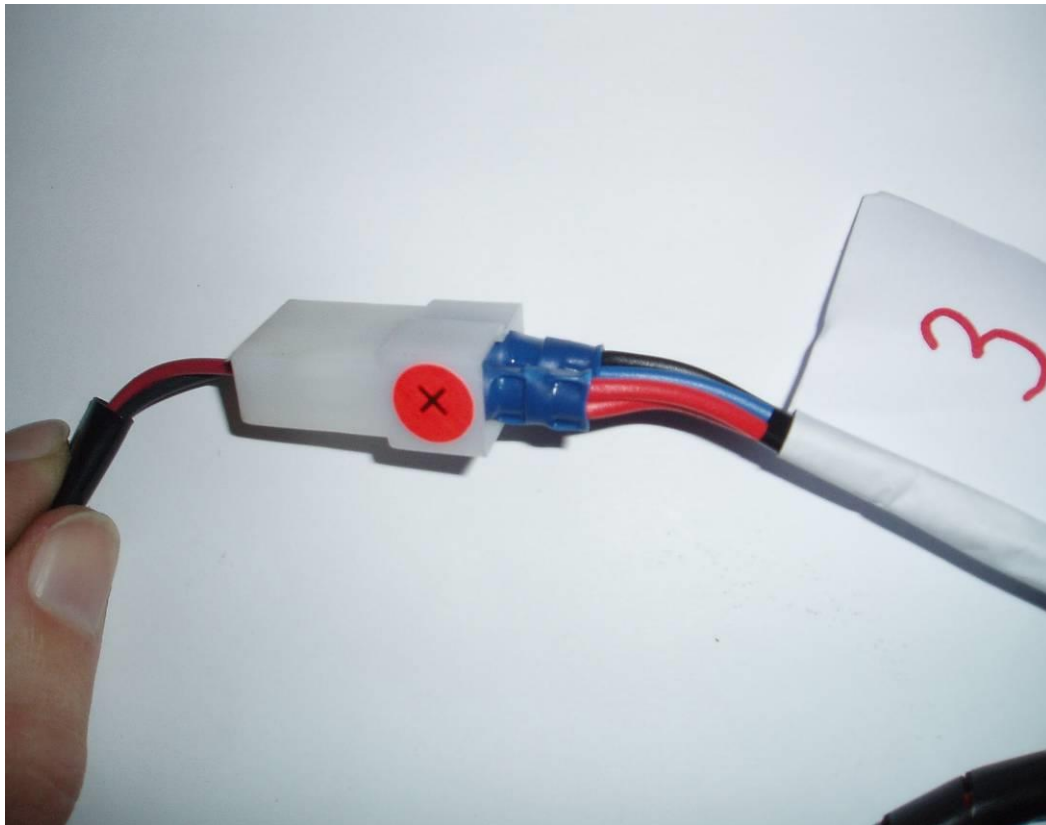
Insert hot water hoses and harness into the holes.



Connect the hoses with the pipes of the heater.



Connect the harness branch no.: 3 with heater (detail of connection).



Place the bottom part of heater holder onto the position (outlines in red).
Insert the heater to the glove box (left side first).



71

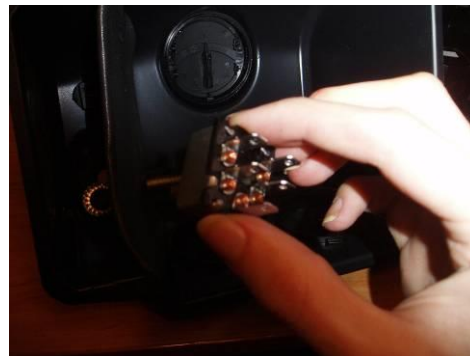
Insert the heater holder onto the dashboard, drill 3 holes $\phi 8\text{mm}$, insert screw rivet and tighten.



Connect the harness of heater with switcher in heater cover.
Pull out the plastic button from switch.

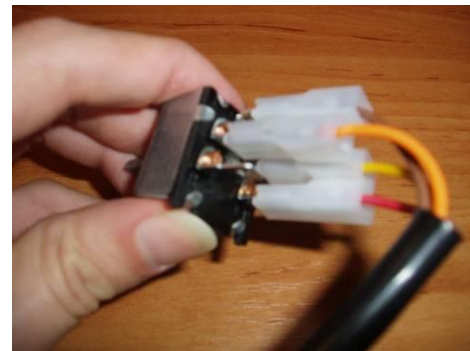


Uninstall the nut from switch and pull the switch out from the cover.

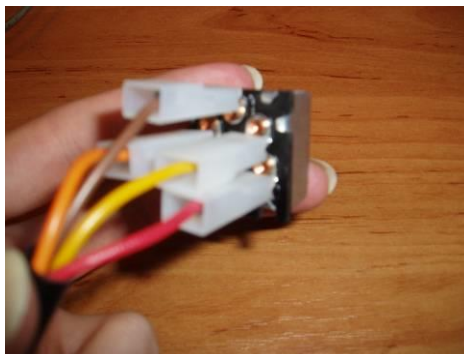


View on to the switch assembly.

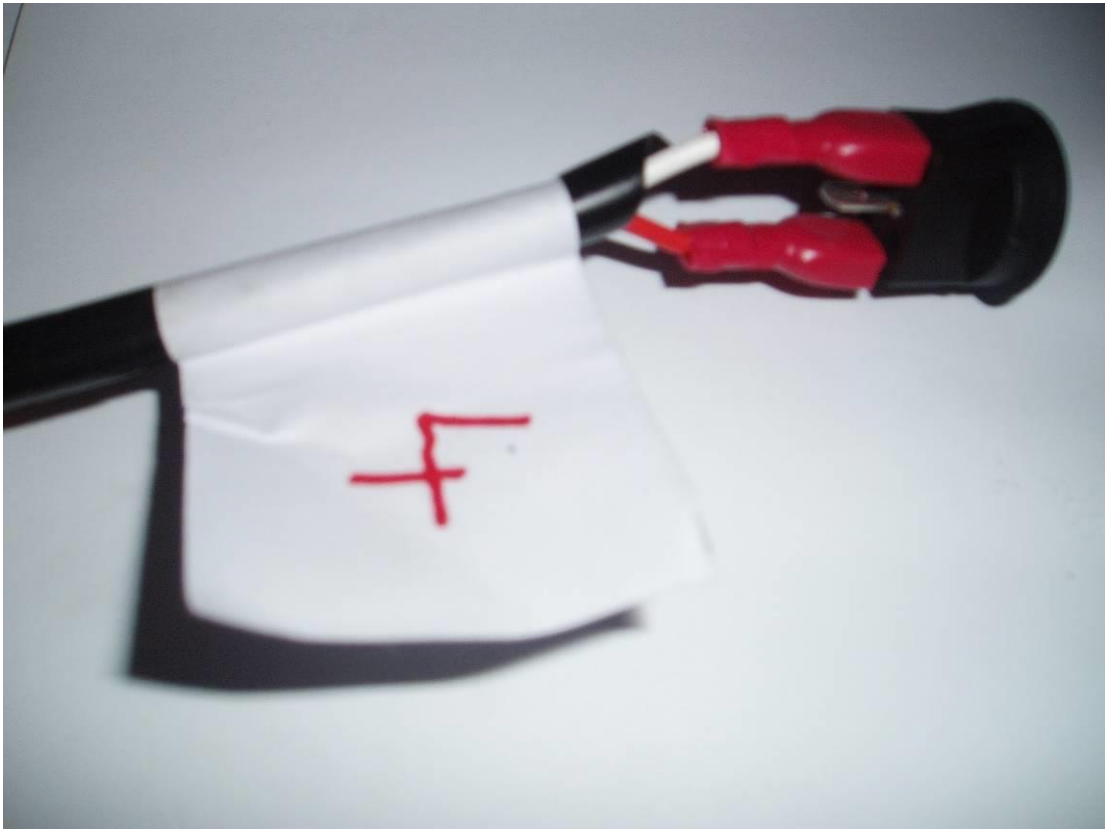
Connect the heater harness with switch.



View on to connected harness. Install switcher back into the heater cover.



Connect the harness branch no.: 4 to the electric vent switch on the heater cover.



Fix the heater cover with heater holder by 4 x screw M5x20 (2 upper screw are in red circles).



You need 2 holes $\phi 20\text{mm}$ (in red circle) in front bottom part of battery box.
Stretch the water hose trough the holes and lead these in floor tunnel.



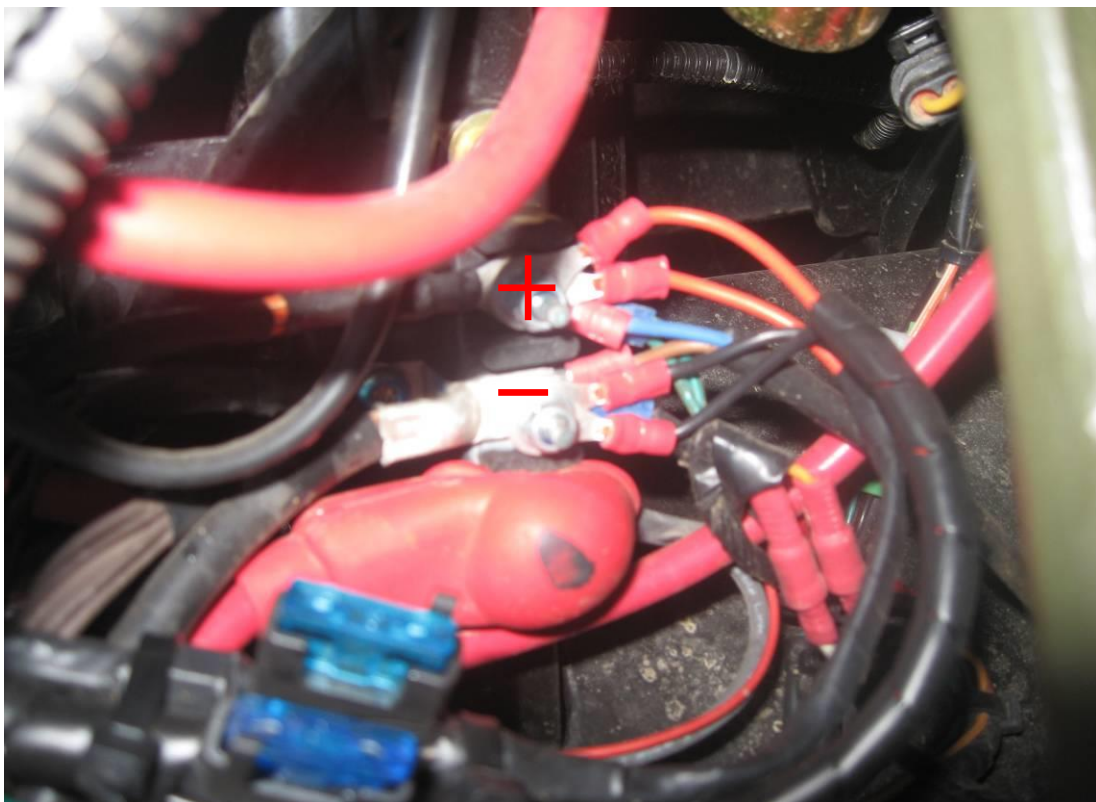
For placing of the electric vent cut the water tube connected to the upper pipe of the heater and insert the electric vent. Fix the water tube with vent by tightening strap.
The vent must be in same orientation like in picture.



Connect the harness branch no.: 2 with the vent. Detail of connection.



Connect the harness branch no.: 1 with main switch of the UTV.



75

Cut the hose without the electromagnetic vent and insert tightening straps onto the hose. Insert the air vent valve into the both end of the hose and tight the straps hard.

Detail view.



Hot water heating system connected to the primary (short) circuit of the engine cooling.

NEXT FEW STEPS ARE FOR INSTALLATION ON PETROL ENGINE

Lead the water hoses from the heater to the UTV's engine.

Uninstall the thermostat flange from the engine and connect that with flange (included with cabin). You may be have to disconnect the original water hose from the thermostat flange before uninstallation.



You have to place the included flange rubber side (red line) on engine. (For detail of flange see page No.:69)
Place the original flange with included flange back to position on engine and fix these by 2 screws M6x50 and washers. Insert tightening strap on the water hose with electric vent and connect the hose with tube on the flange and tighten the strap very hard. You can install back the original hose to the original flange.



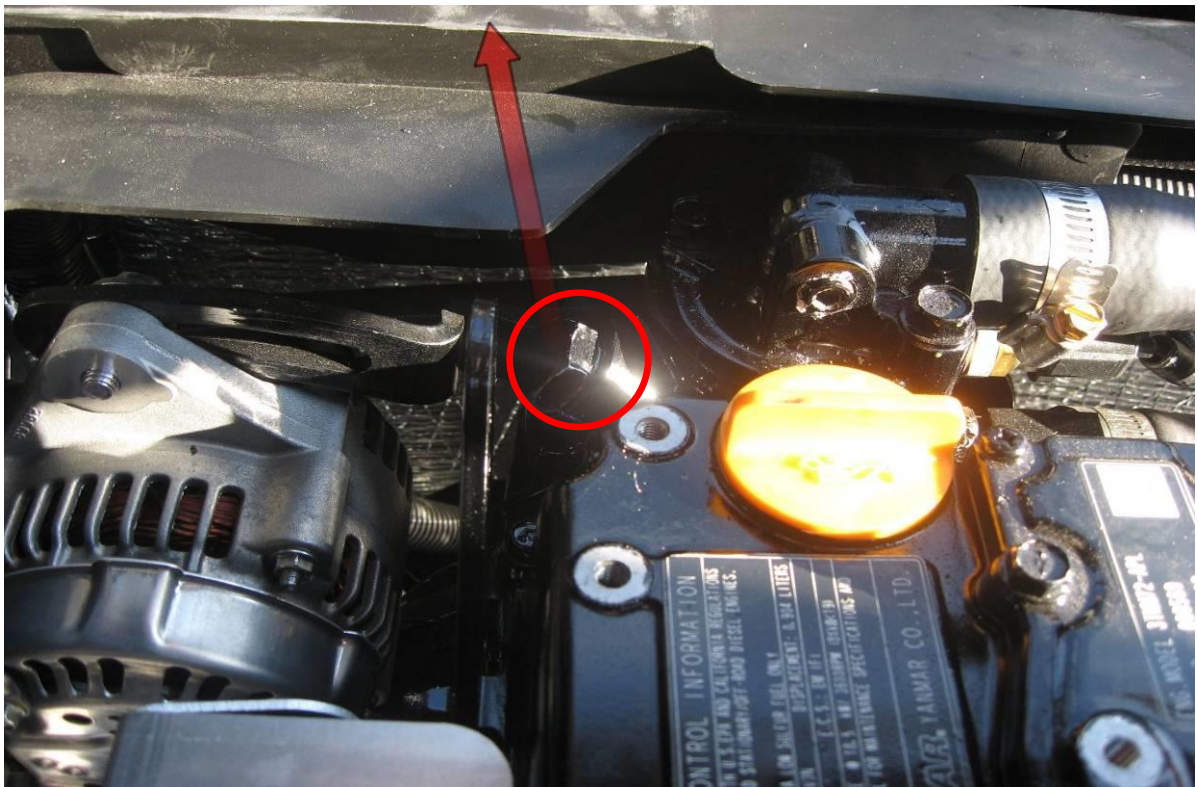
NEXT FEW STEPS ARE FOR INSTALLATION ON DIESEL ENGINE

Take out the seat from the UTV and uninstall the original screw (in red circle) from the UTV's engine.

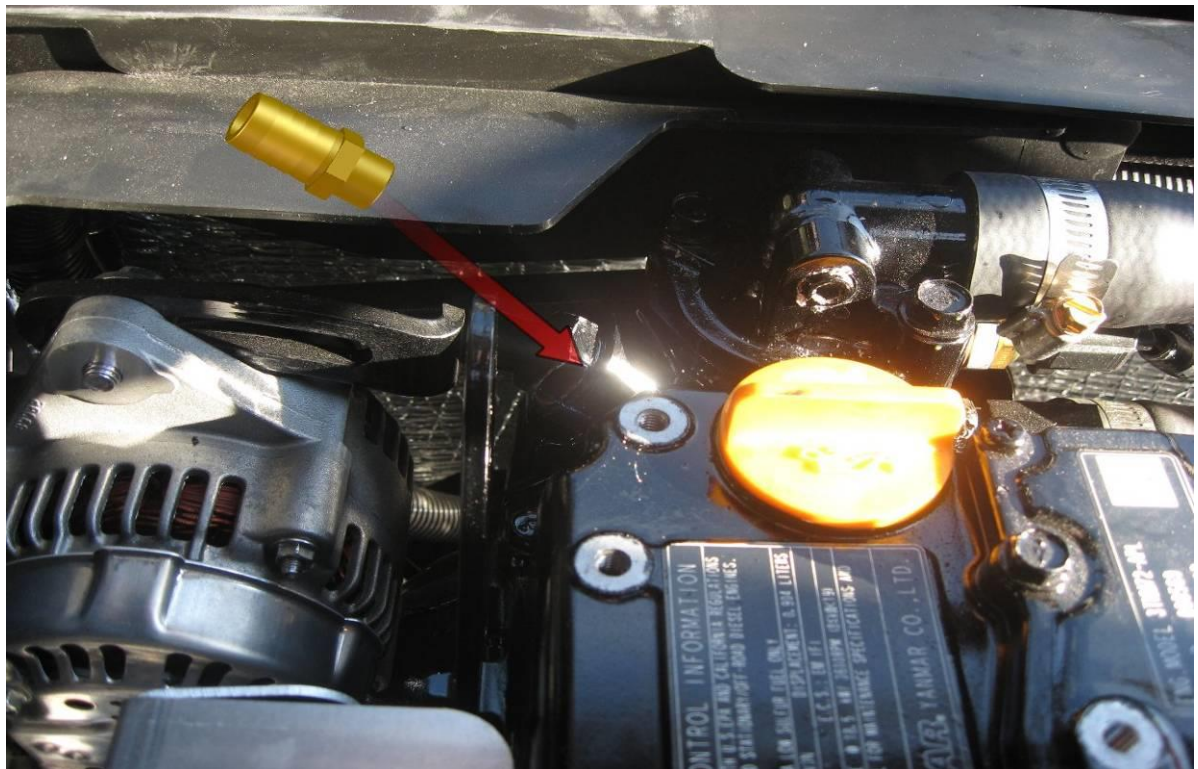


(Detail view on next page)

Detail view



Drop the screw glue on heater tube and insert the heater tube instead of the original screw and tighten very hard. Insert the tightening strap on the heater hose and insert hose on the heater tube. Tighten the strap very hard.



You have to be careful to cut correct hose in next step.

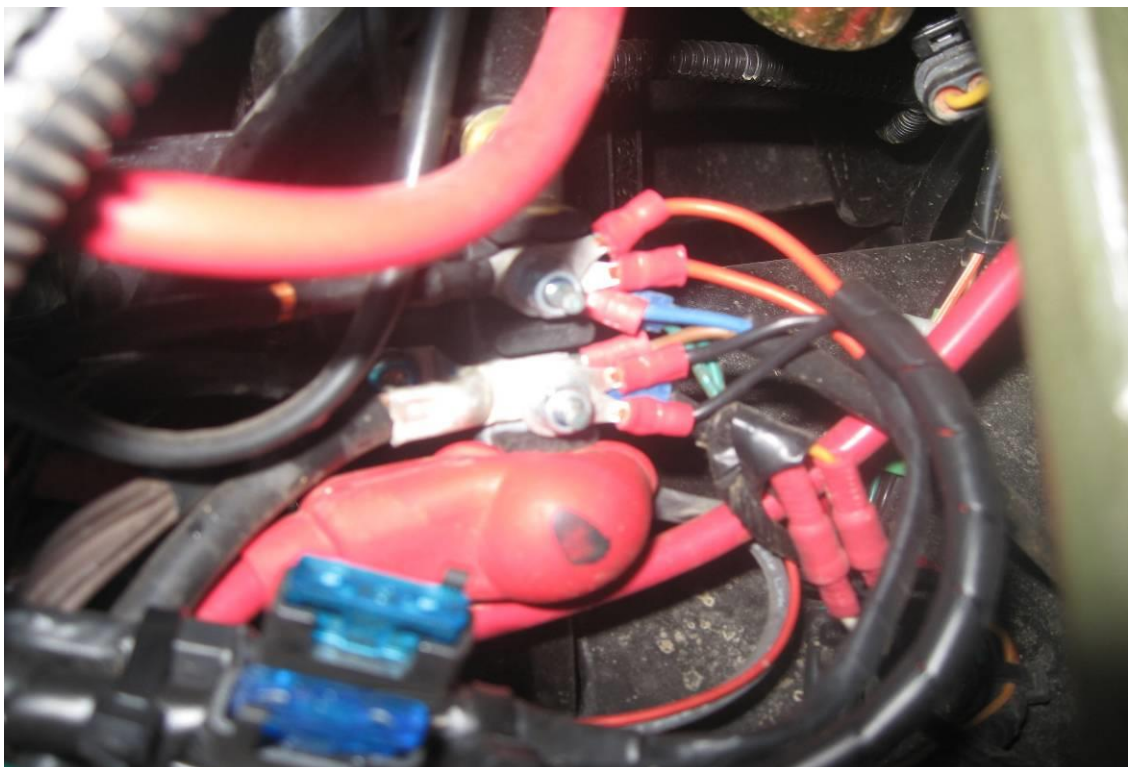
Cut the cooling system hose (run the cooling liquid back to engine) and attach the "Y" coupling to connect the heater hose. The hose containing the air vent valve has to bring water from the heater.

Principle an electric connection to the network of UTV's body:

- Heating is connected through a fuse box and then through the ignition box of the truck.



Detail of connection.



SEE NEXT PAGE

IMPORTANT

1. Before the first turning on the hot water heater it is necessary to check the tightness of the cooling circuit of the hot water heater.

2. If necessary add more cooling liquid to the cooling circuit.

3. Turn UTV's engine on and open the air vent valve.

4. Turn heater on and wait for the maximum temperature. When the cooling liquid starts to leak from the air vent valve close the valve.

Turn off heater and add more cooling liquid to the cooling circuit if need it.

In cab units where you are installing the glove compartment heater provided in the standard DFK Cab Kit, it is important to check the coolant level regularly at least 4-5 times during the first several days of operation and fill as necessary until the coolant level has stabilized.

The heater will draw and retain coolant, sometimes at the expense of coolant to the engine.

This can cause engine overheating if not managed properly.