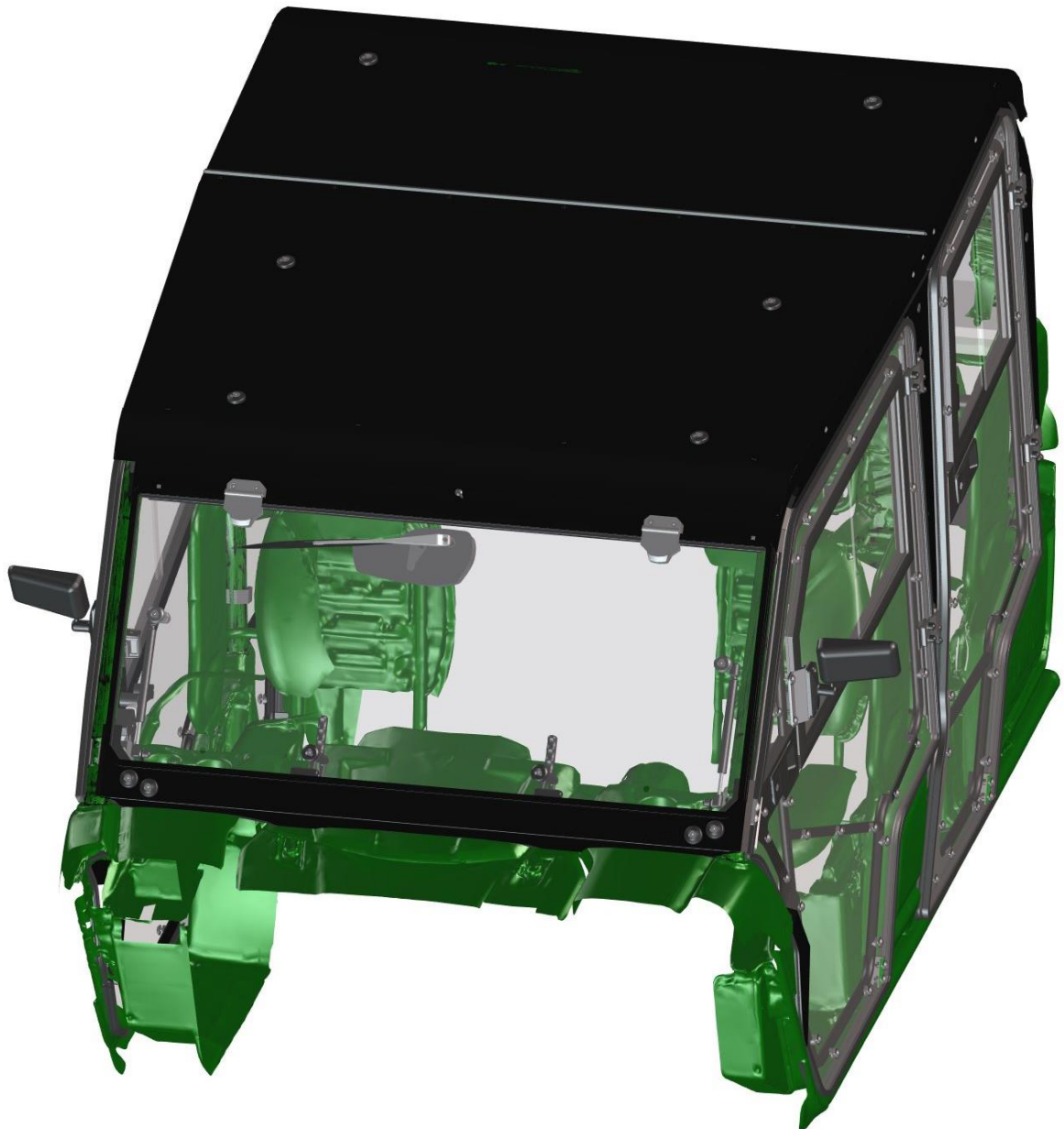


HardCabs

A DFK AMERICA COMPANY

INSTALLATION INSTRUCTIONS

YAMAHA VIKING CREW



SAFETY INSTRUCTIONS

Warning: Failure to heed all safety and operating instructions and warnings regarding use of this product can result in serious bodily injury.

READ PROPERLY COMPLETE ASSEMBLY INSTRUCTIONS BEFORE STARTING OF ASSEMBLY

Install all parts indicated in assembly instructions. Failure to fully assemble product before use could result in personal injury.

Assembly of product requires use of hand or power tools. If you are not experienced in using these types of tools, have product dealer do the install for you.

Some parts contain sharp edges, wear protective gloves if necessary.

Always keep your assembly area clean, uncluttered and well lit.

Keep visitors and children a safe distance away from the assembly area. Visitors should wear the same safety equipment described under.

Never operate your UTV with the cab doors open. Failure to properly latch the doors before moving the vehicle could result in serious injury.

Dress for safety. DO NOT wear loose clothing, gloves, neckties or jewelry if using power tools to assemble this product.

Insert all nut covers after you finish installation.

Never drive your UTV with the cab front window in open position. Failure to properly latch/lock front window before driving the vehicle could result in serious injury.

Please be careful not to break the plastic washers, if you're tightening screws with plastic washers use max torque of 3.7 foot-pound force (5 Nm)!!!

WARNING: For safety purposes, if the DFK Cab doors are removed, it is mandatory that the OEM manufactured Half Doors or Nets are **REINSTALLED** before operating the vehicle.

MAINTENANCE AND CLEANING

To clean polycarbonate surface use soapy water solution or other subtle means.

Dirt and dust wash by gently water stream and swipe only with wet or damp means in the direction from top to bottom.

The recommended frequency of cleaning of polycarbonate part is about 1 time per month or according to the actual degree of pollution.

*Do not use detergents that could scratch the surface plates.
(abrasives, harsh fabrics, etc.)*

*Do not use solvents or alkaline detergents or cleaners with ammonia
(ammonium hydroxide).*

Do not remove the impurities from the surface of the razor blades or other sharp items.

Do not clean cabin when the polycarbonate plates are heated by the sun.

Do not use the squeegee, it could be scratched surface plates.




Do not clean the water current strength greater than 50 bar (WAP)

The manufacturer is not responsible for scratching the surface in case of failure to comply with the above instructions.

All bolted connections of cab must be by user at regular intervals checked and tightened.

TOOLS NEEDED

Not included

		
<p>Ratchet handle</p>	<p>Socket beg 13 mm (0,51 in)</p>	<p>Hex key 5 and 6 and 8mm</p>
		
<p>Socket beg 8 mm (0,31 in)</p>	<p>Metric wrench 13mm, 17mm</p>	<p>Utility knife</p>
		
<p>Drill ø 8mm (0,31-0,33 in)</p>		

PREPARATION FOR INSTALLATION:

Uninstall all additional systems from the roller cages (work lights, rear mirrors, drink holders etc.)
Uninstall the original roof and the original doors from the roller cage and save these carefully.



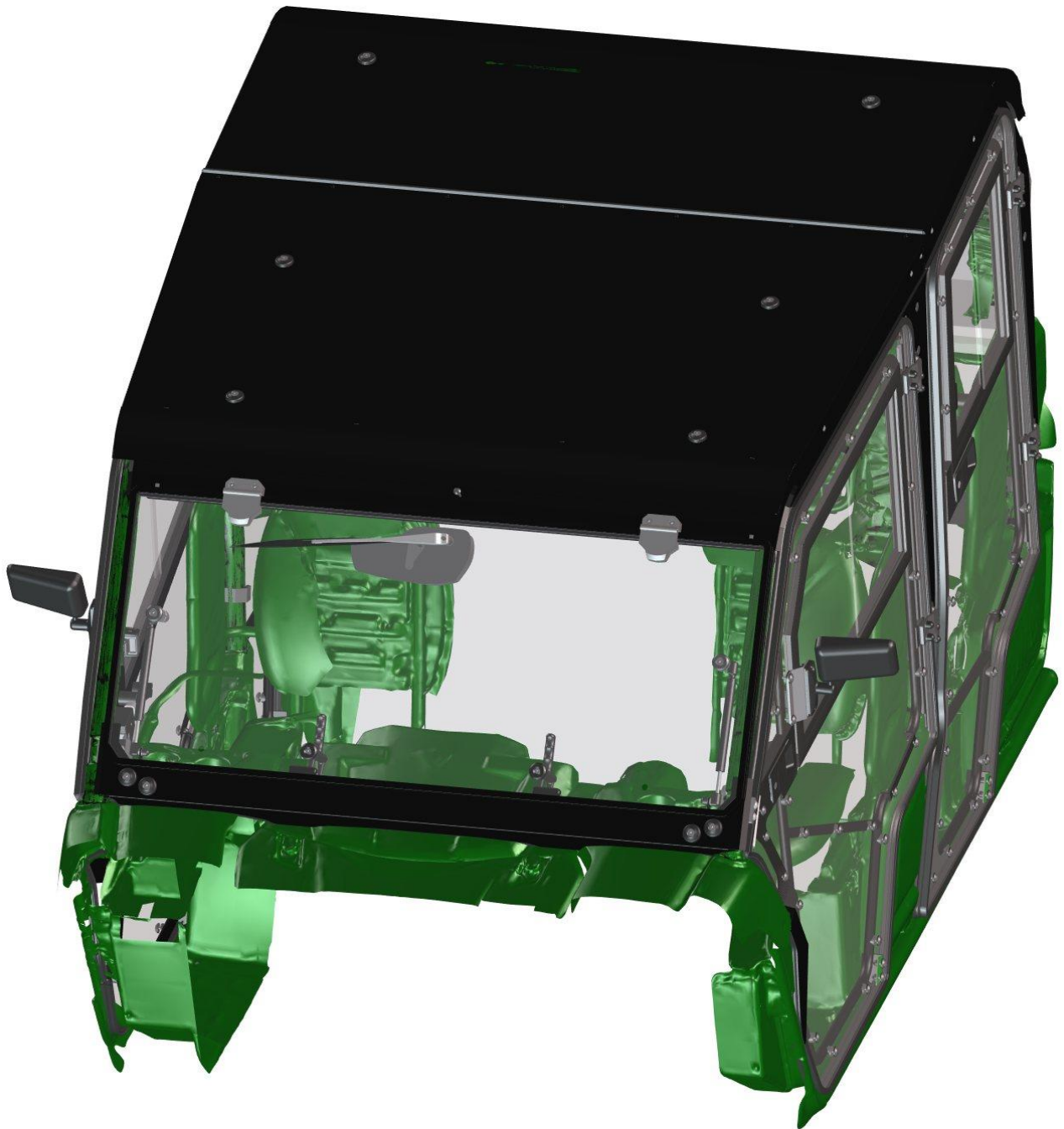
Front door detail view (in red rectangle).



Rear door detail view (in red rectangle).



CAB PREVIEW



7

FRONT PANEL

Install the door stop assembly (pin, hook, washer and nut) into the correct door stop holder (left or right).

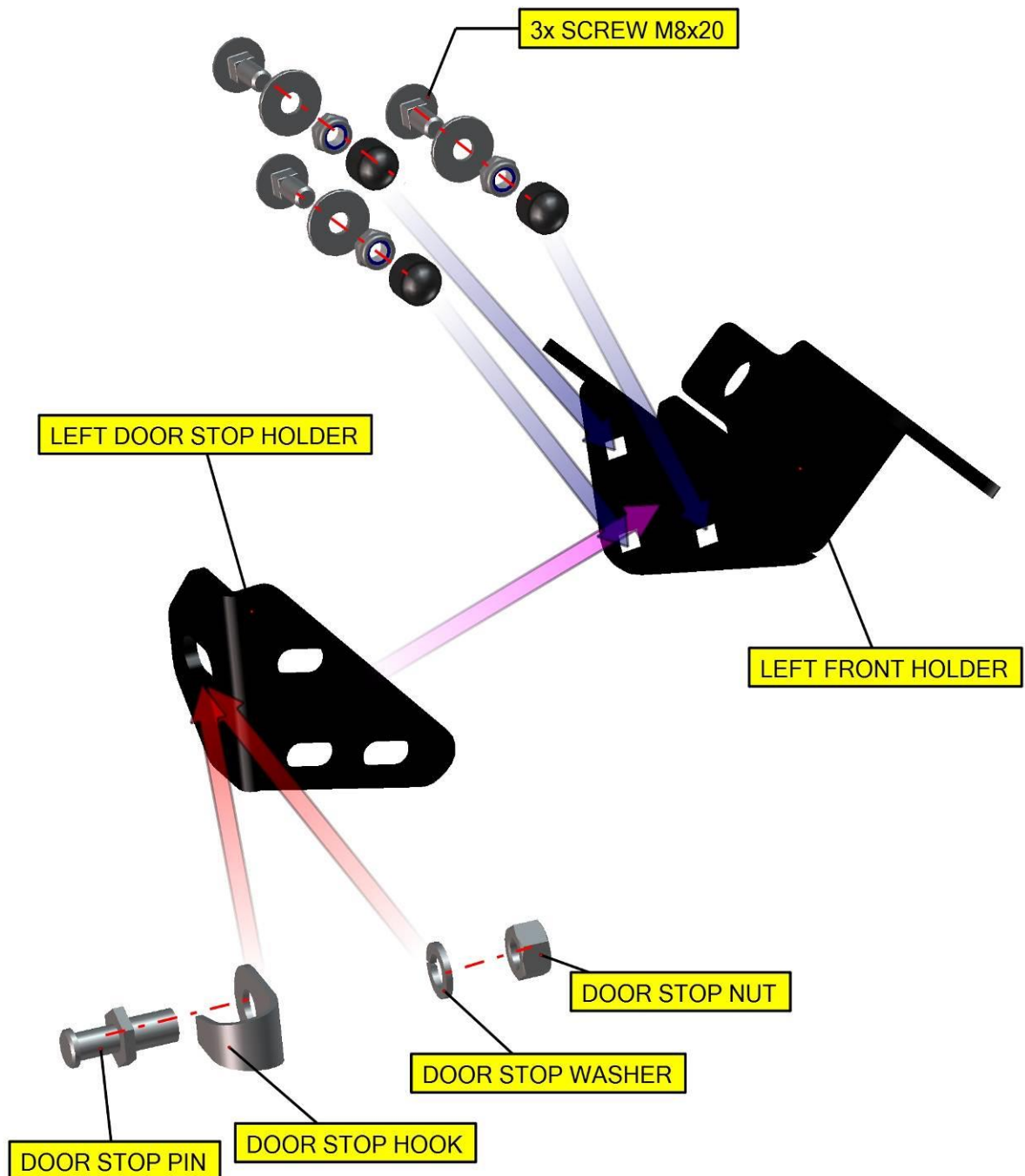
Place the door stop holder with the door stop assembly onto the correct front holder (left or right).

Fix the door stop holder with the front holder by screws, washers, nuts and covers.

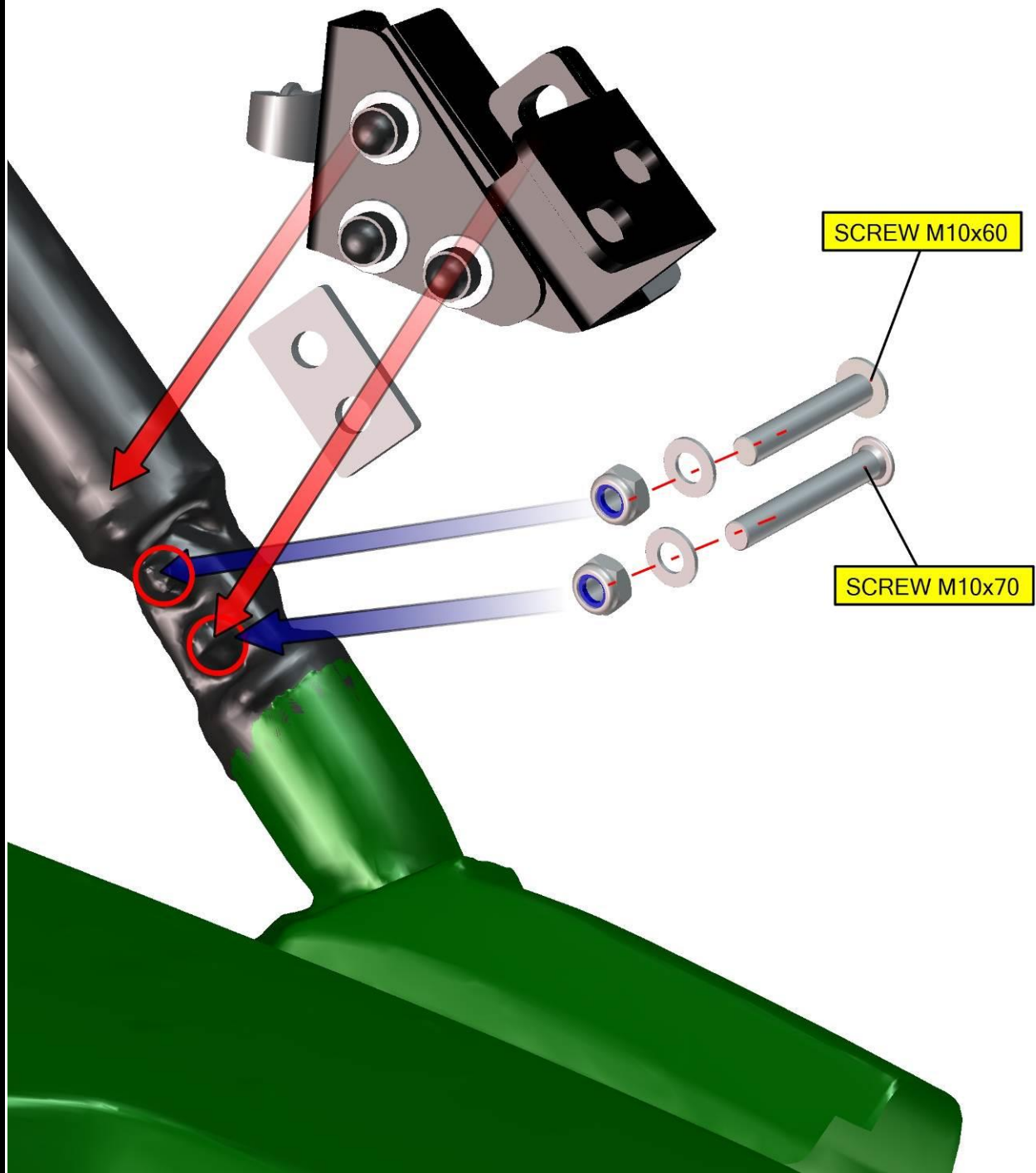
Use the LEFT door stop holder and LEFT front ledge holder(on picture) on LEFT side of the roller cage.

YOU CAN'T MAKE MISTAKE BETWEEN LEFT AND RIGHT PARTS, IF YOU MAKE MISTAKE,

YOU ARE GOING TO HAVE BIG PROBLEM WITH DOOR STOP ADJUSTING!

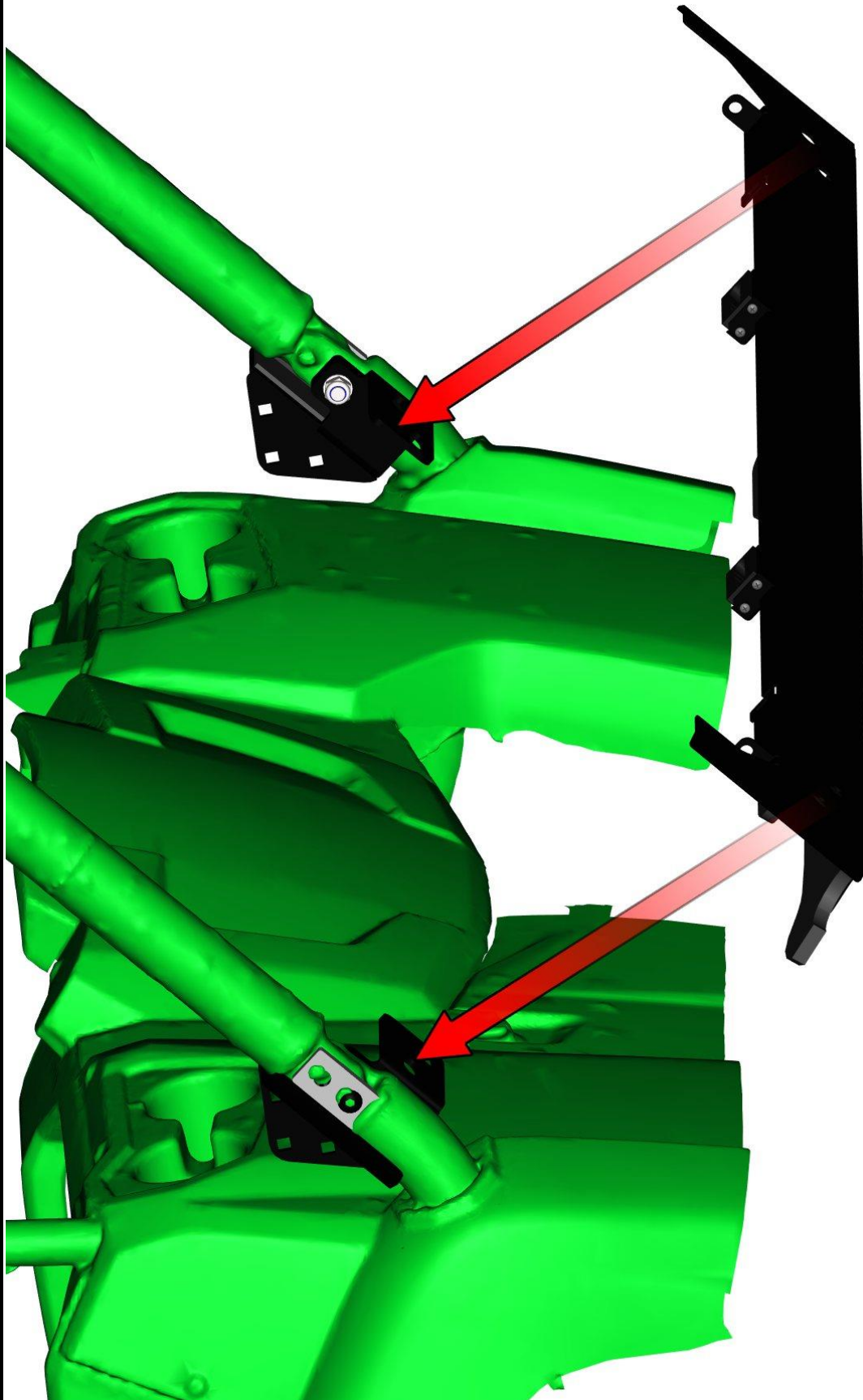


Uninstall the bottom original screws (in red circles) **one by one** from the front bottom part of the roller cage. Place the metal rectangle and the left holder assembly (from previous page) onto the roller cage.

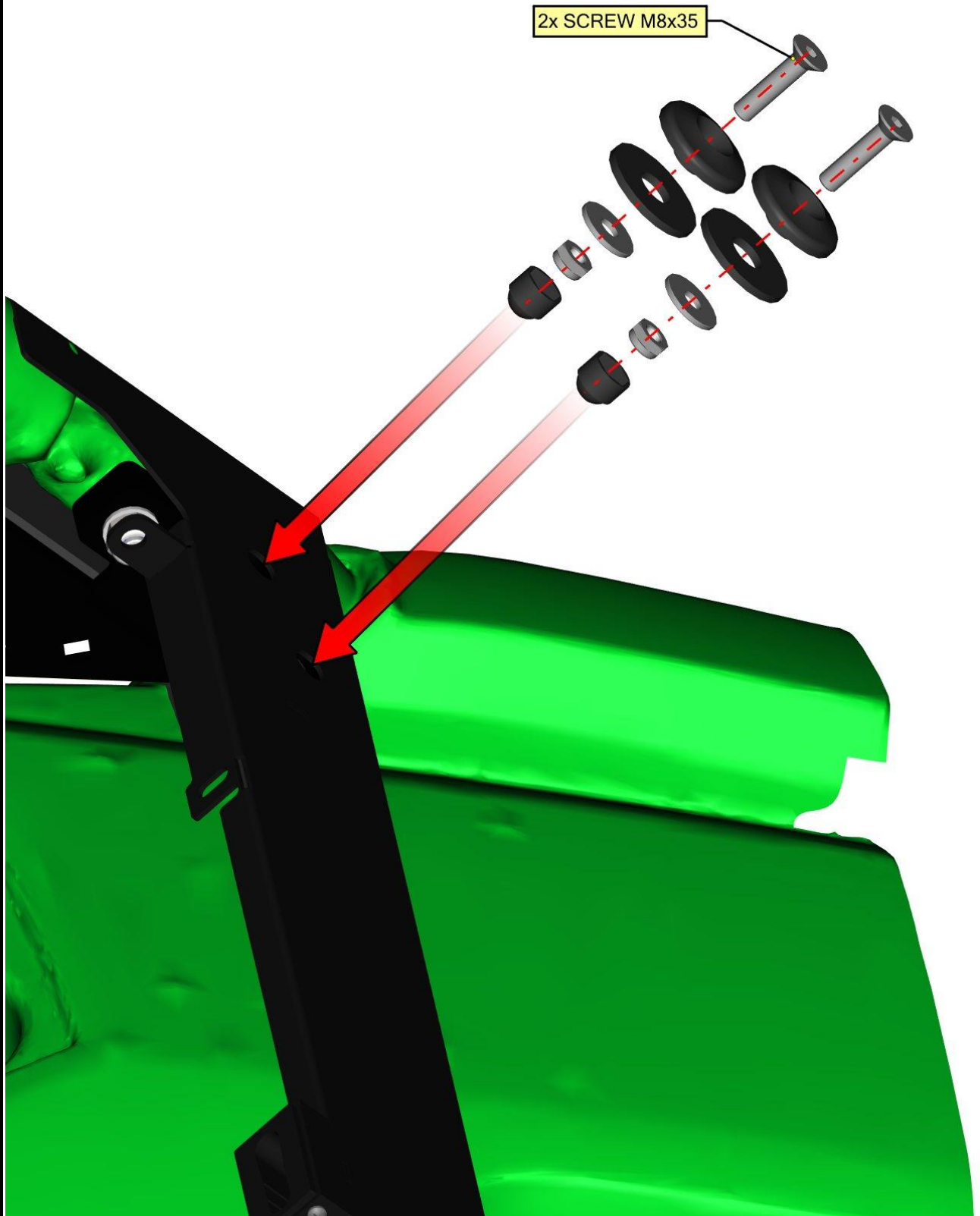


Fix the rectangle and the holder assembly with the roller cage by screw, washer and nut.
Repeat previous steps with the right parts on the second side of the UTV.

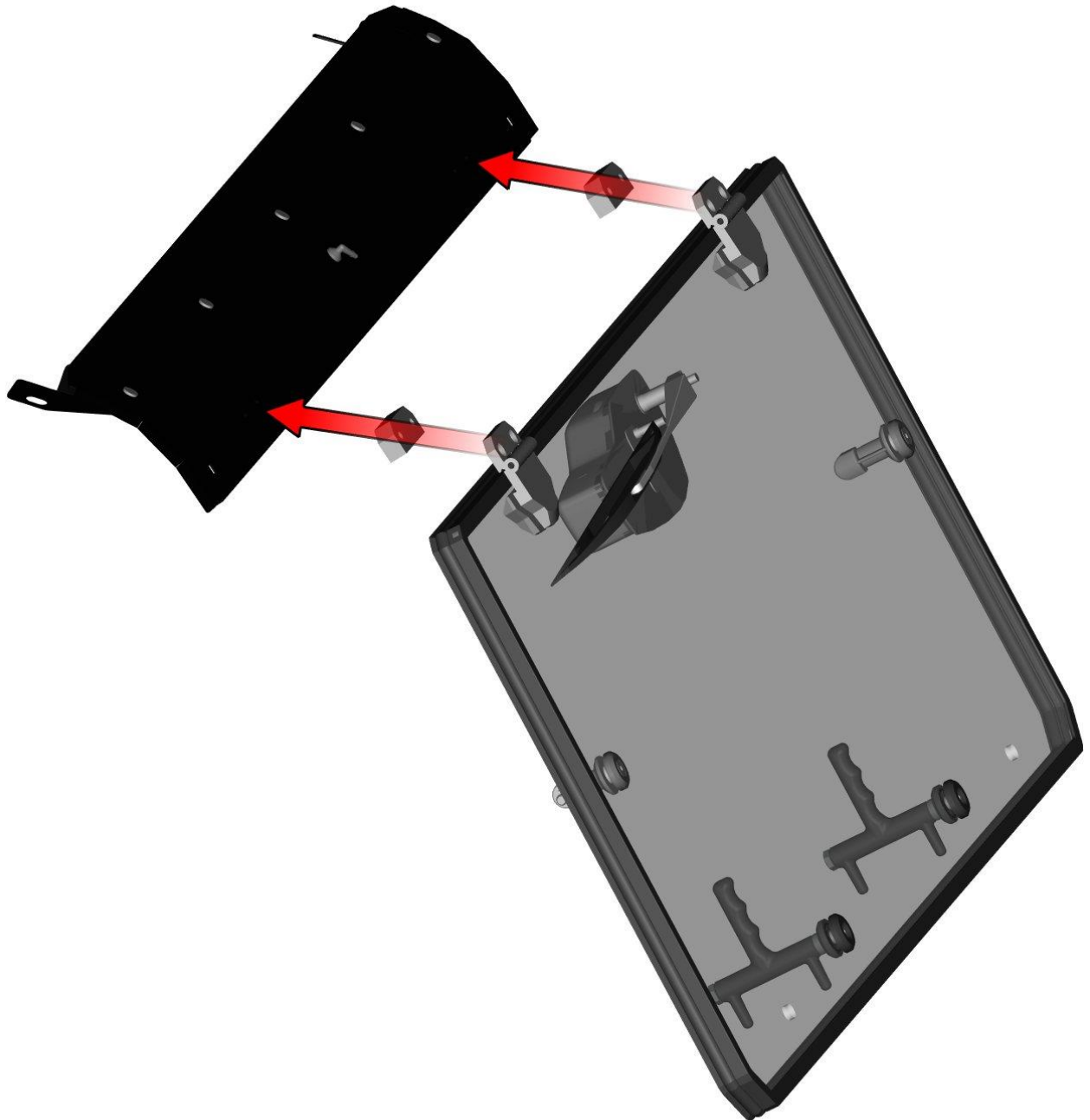
Place the front bottom ledge onto the holders and onto the front UTV's dashboard.



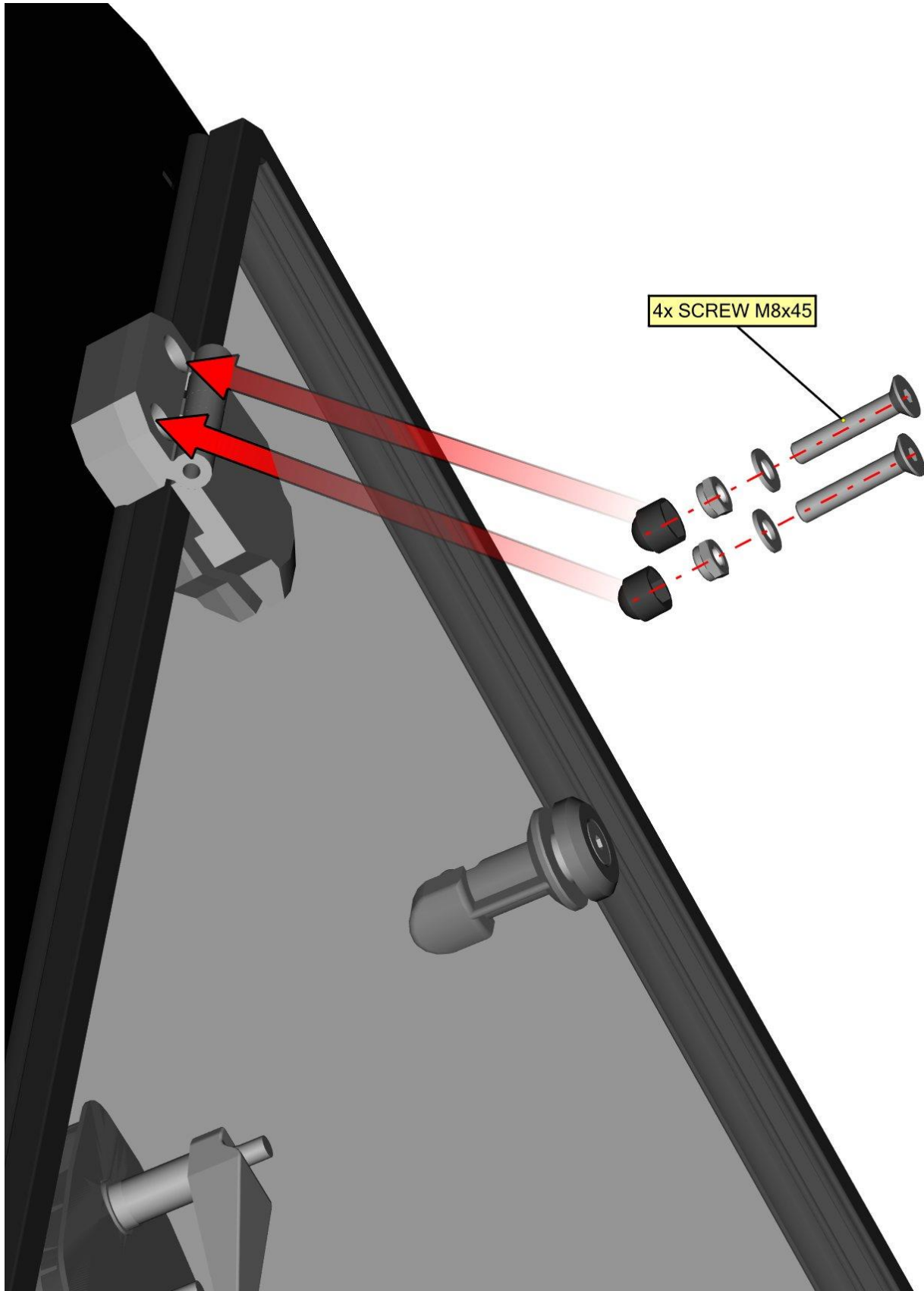
Fix the ledge with the holders to the roller cage by screws, washers, nuts and covers on both sides.



Place the front window assembly and the hinge's bases onto the front upper ledge.



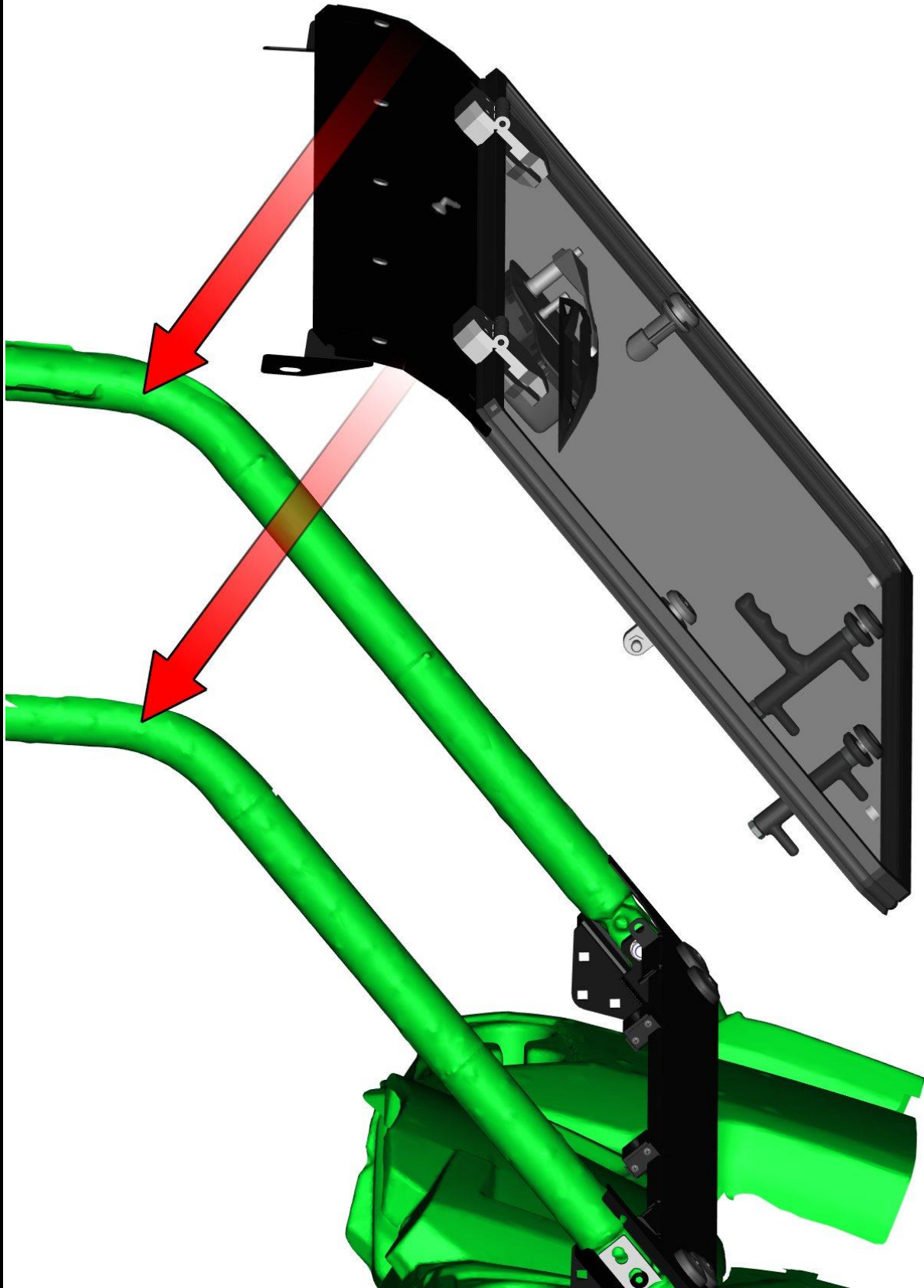
Fix the hinges and the hinge's bases with the front upper ledge by screws, washers, nuts and covers on both sides.



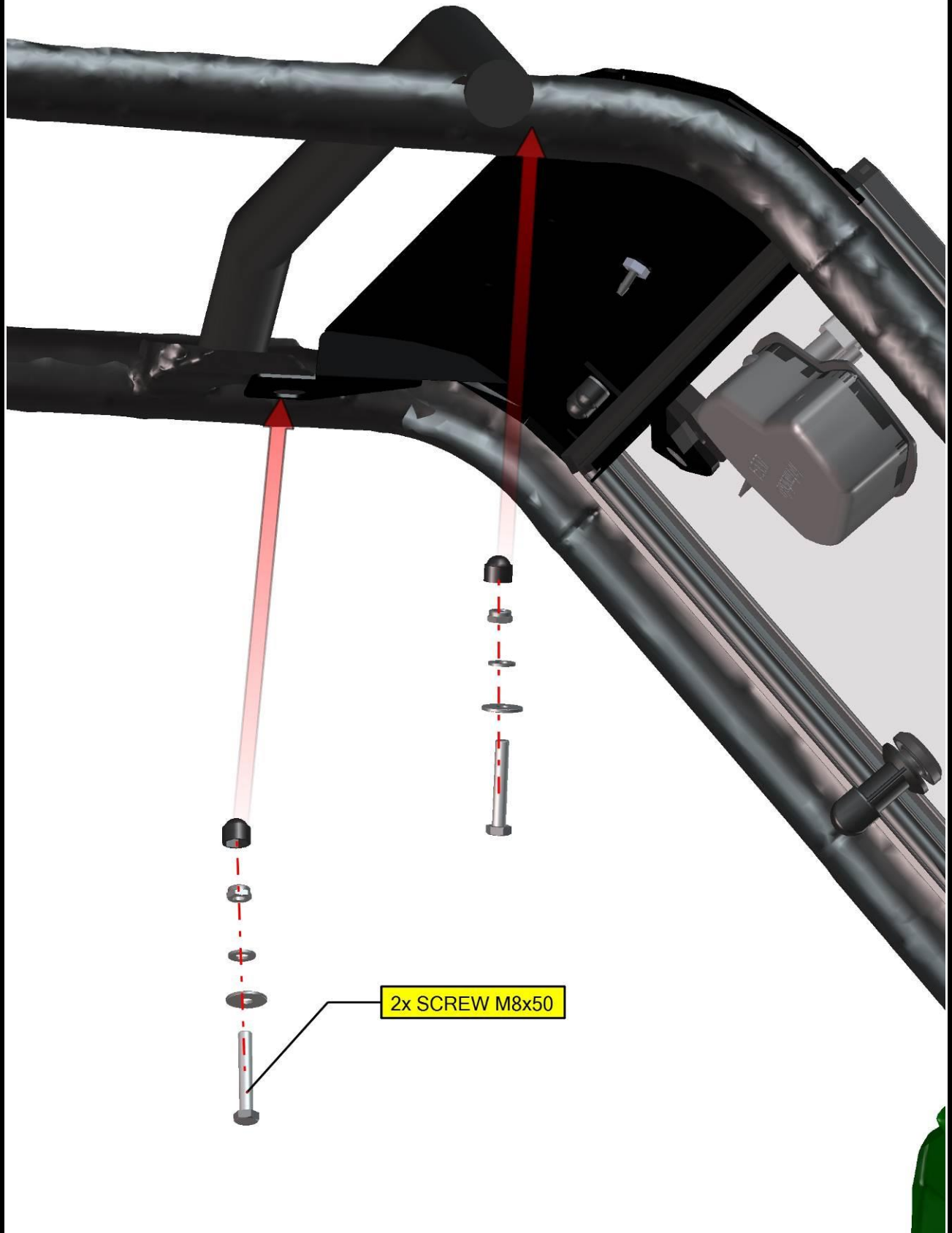
Uninstall original screws from the front upper roller cage reinforcement from both sides, insert 3x washers 10 large and install screws back on both sides.



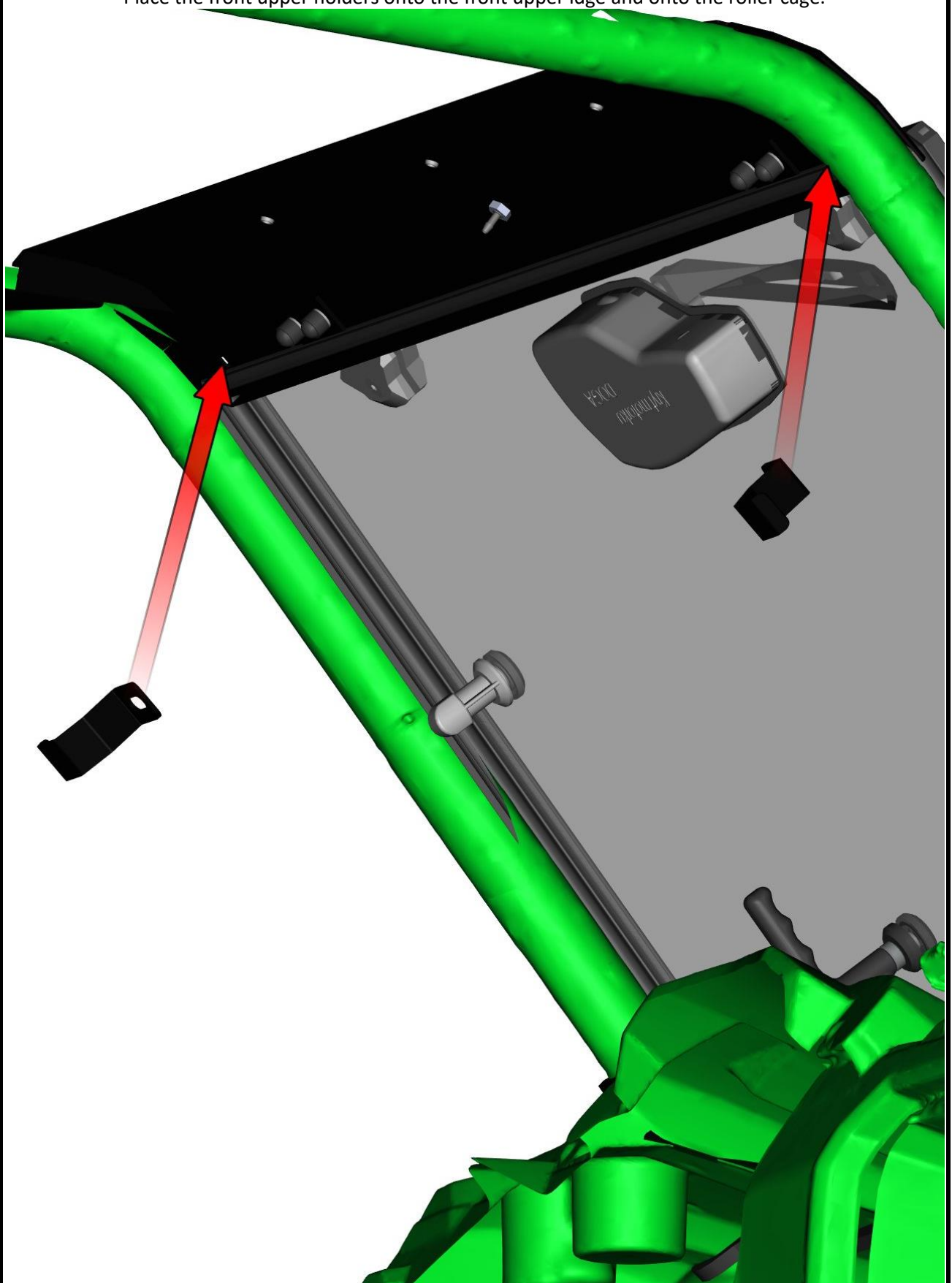
Place the front window with the ledge onto the roller cage.



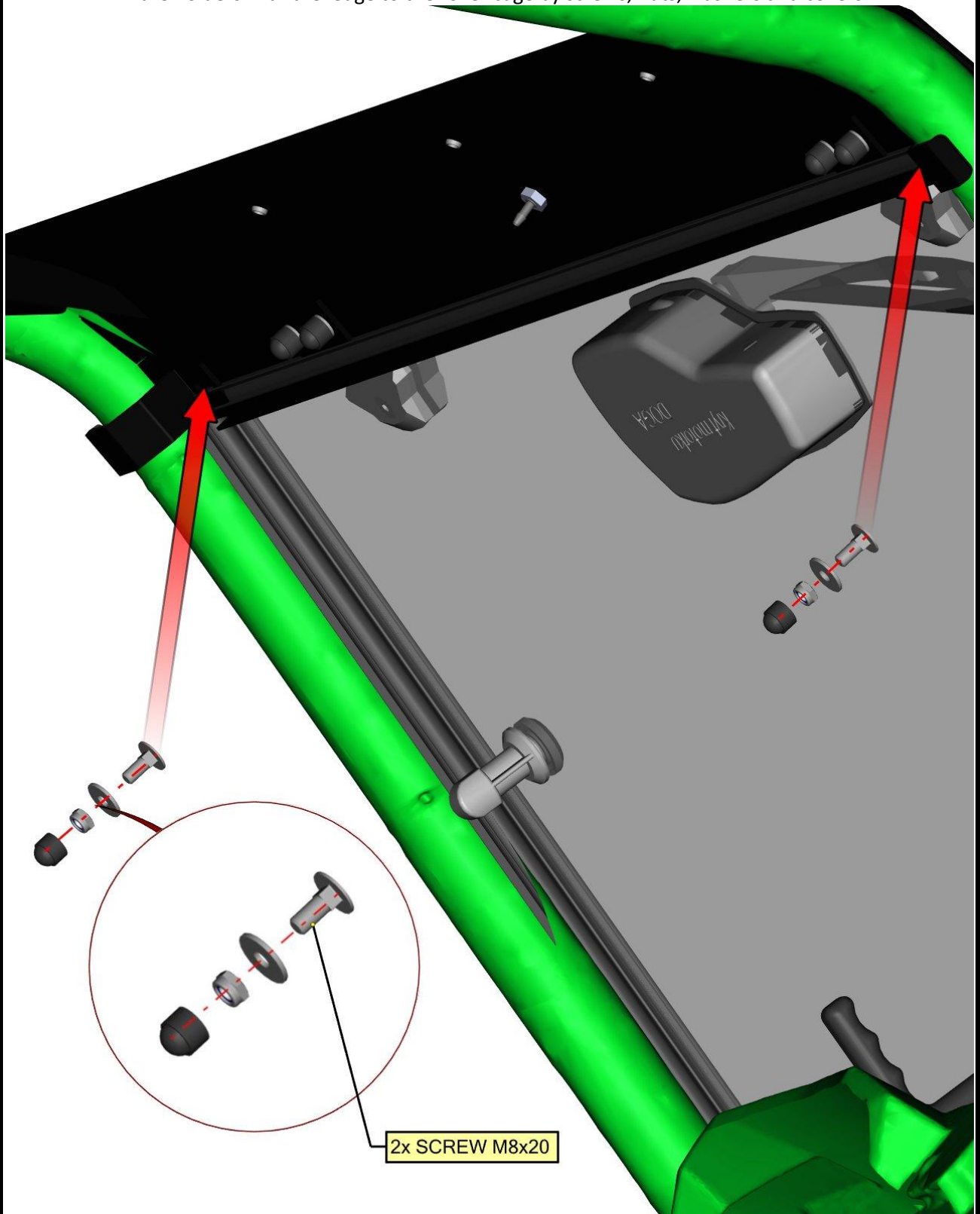
Fix the front upper ledge with the roller cage original reinforcement by screws, washers, nuts and covers.



Place the front upper holders onto the front upper ledge and onto the roller cage.

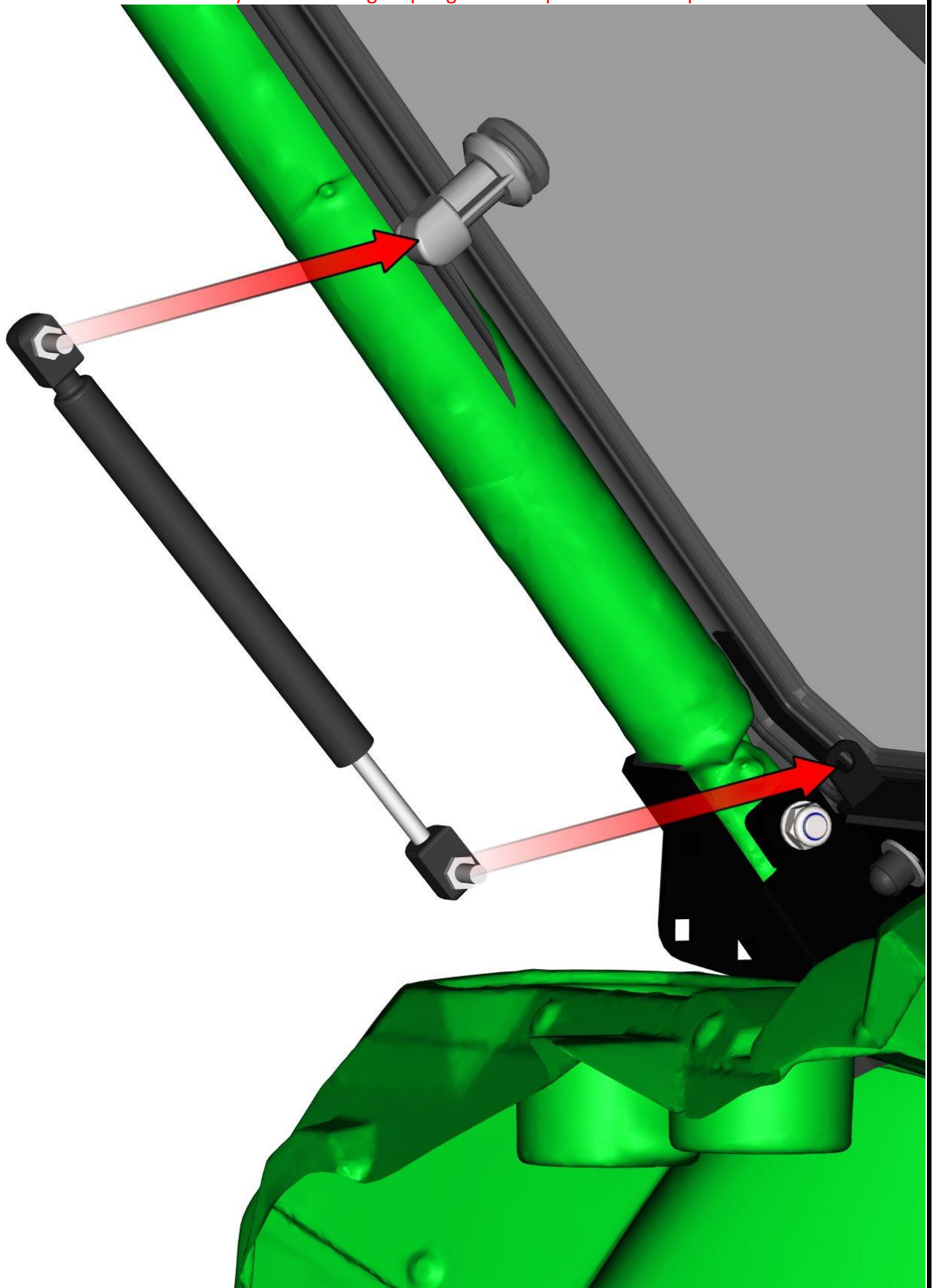


Fix the holders with the ledge to the roller cage by screws, nuts, washers and covers.



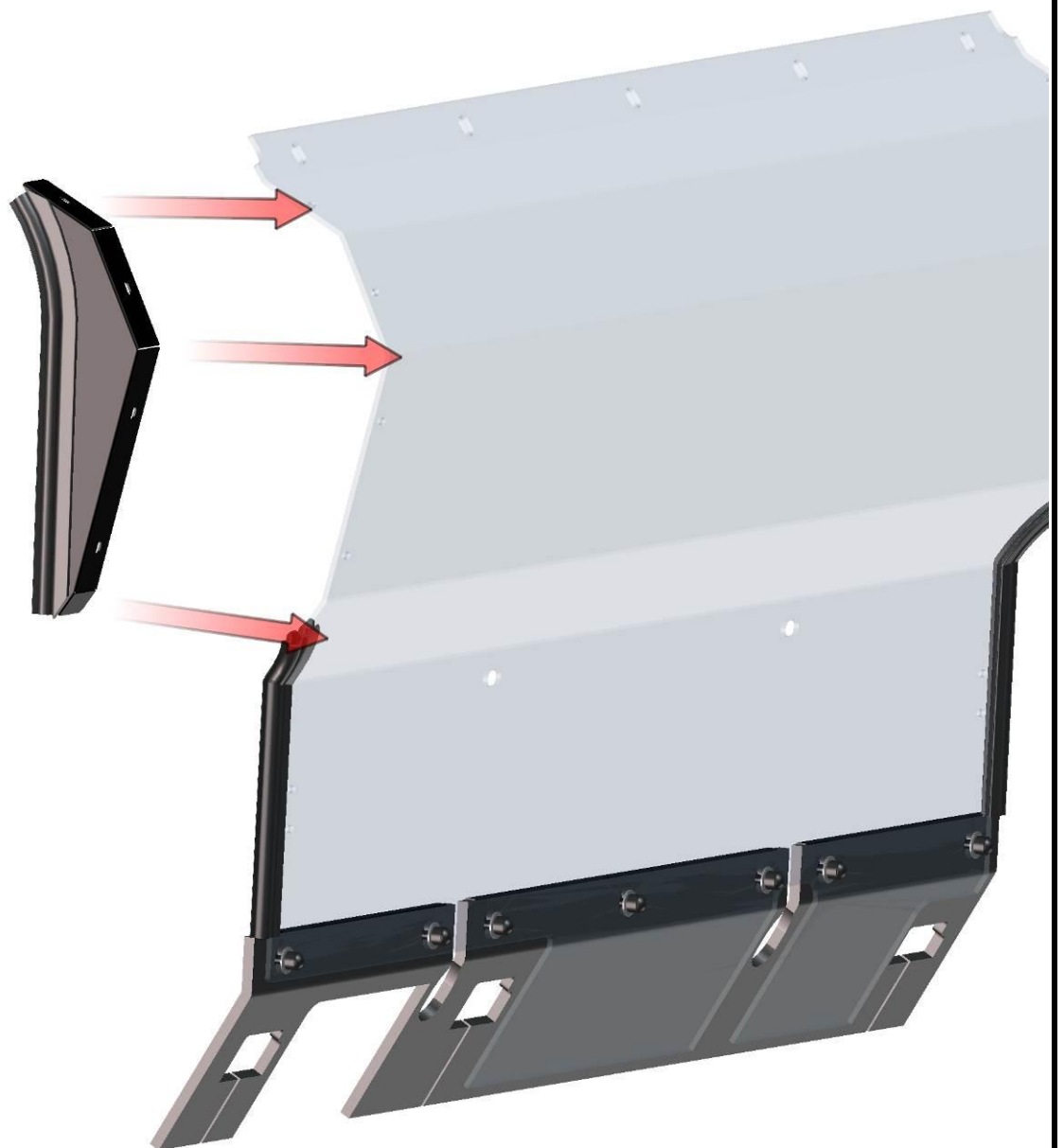
Adjust the front parts and assemblies to best position and tighten all nuts and screws correctly.
Please be careful not to break the plastic washers, if you are tightening screws with plastic washers use maximal power 3,7 foot-pound force (5Nm)!!!

Install the gas spring onto the gas spring holder on both sides.
It's necessary to install the gas springs in same position like on picture.



REAR PANEL

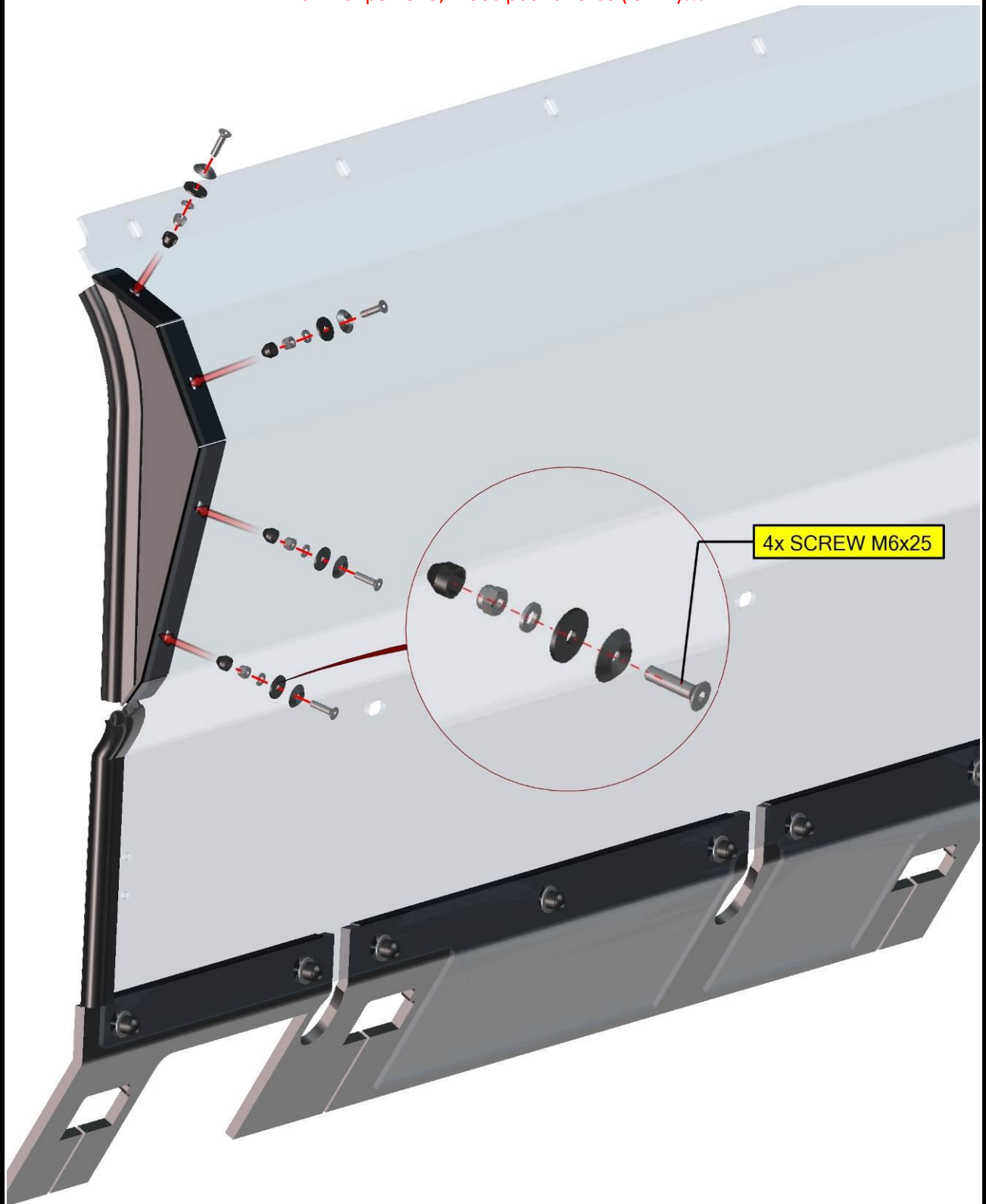
Place the left rear side ledge onto the rear window assembly.



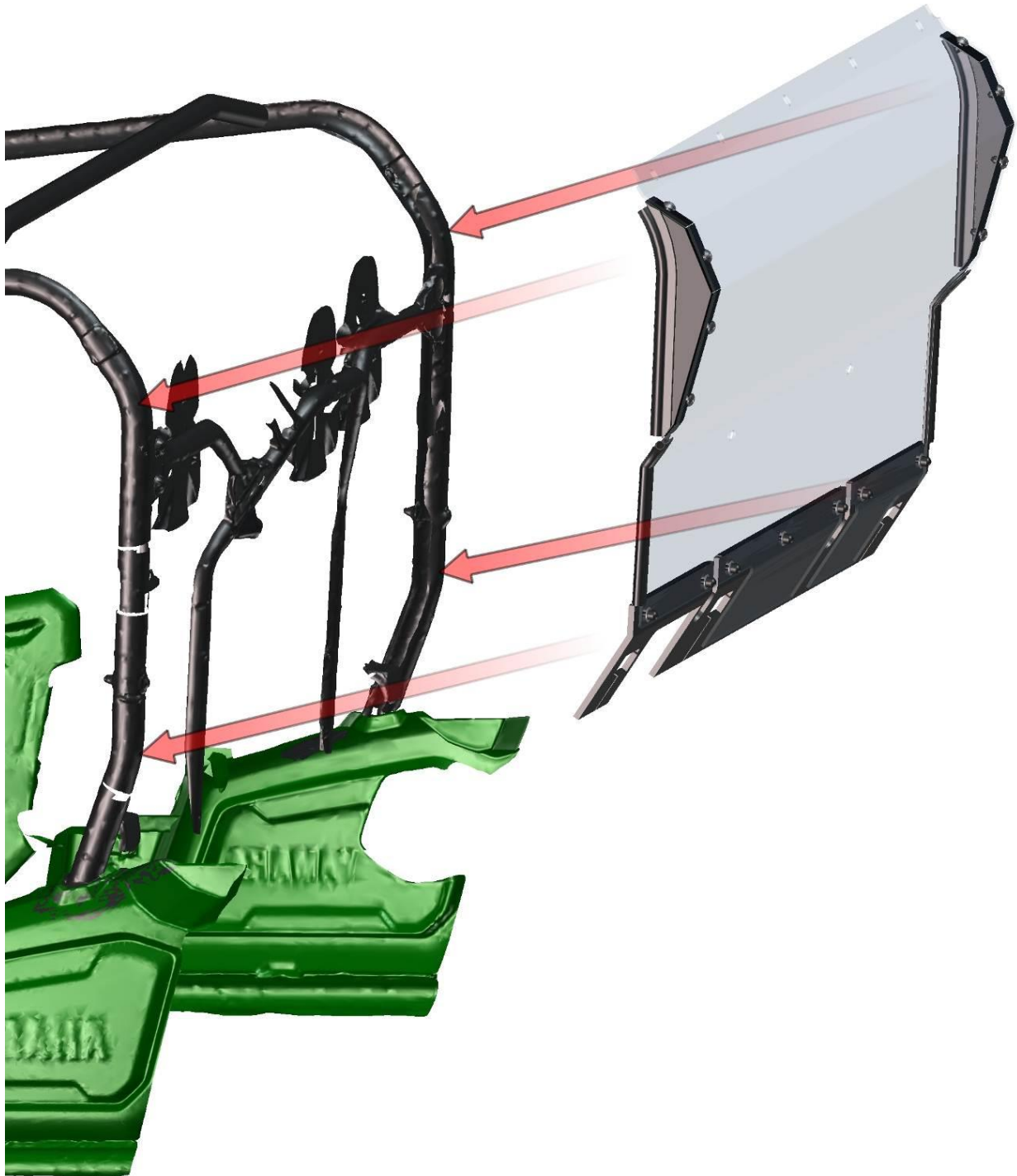
20

Fix the side ledge with the rear window by screws, washers, nuts and covers.
Adjust the side ledge to best position and tighten screws and nuts correctly.

Please be careful not to break the plastic washers, if you are tightening screws with plastic washers use maximal power 3,7 foot-pound force (5Nm)!!!



Repeat previous steps with the right rear side ledge.
Place the rear window assembly onto the roller cage.



Place the rear upper ledge between the rear window and roller cage.

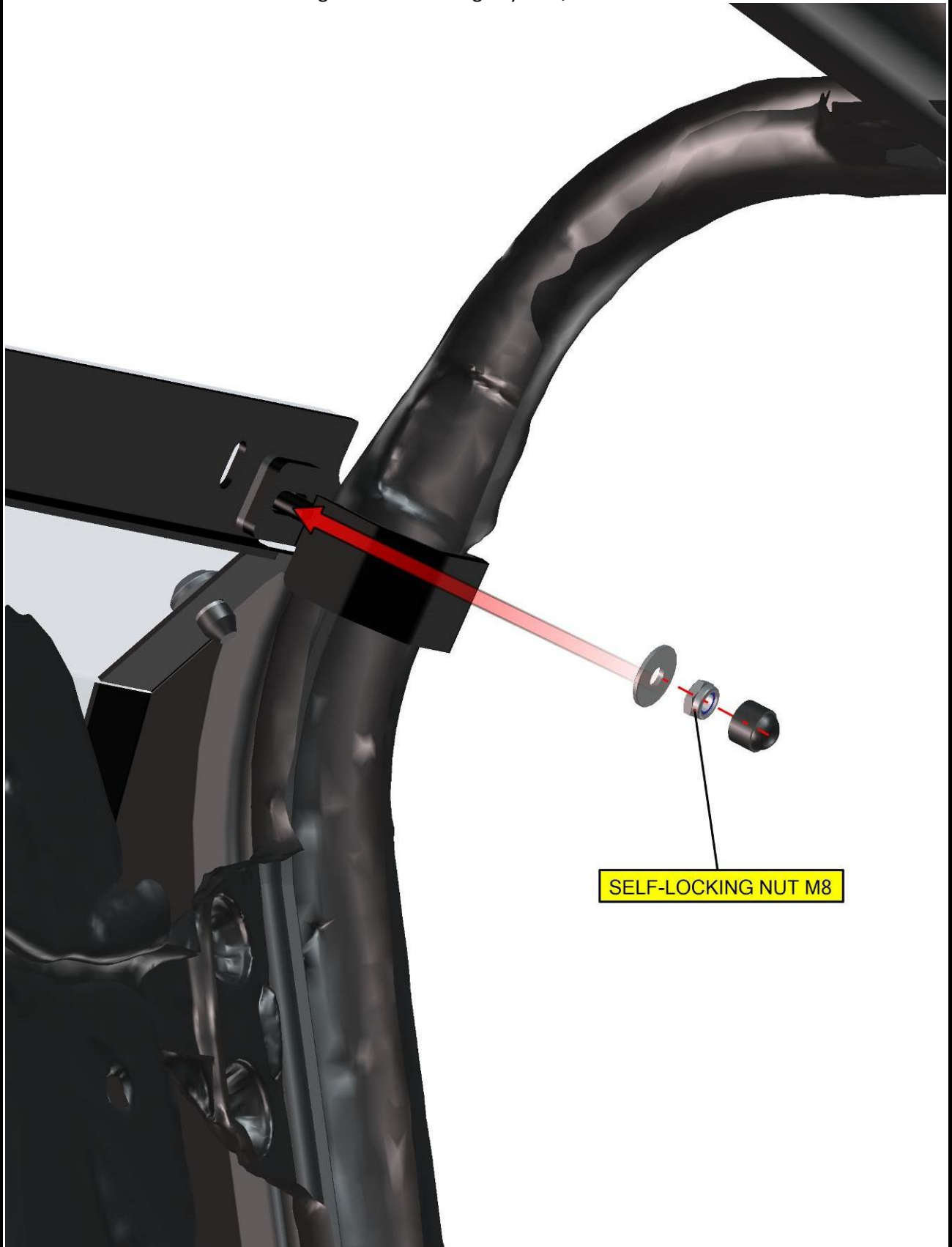


23

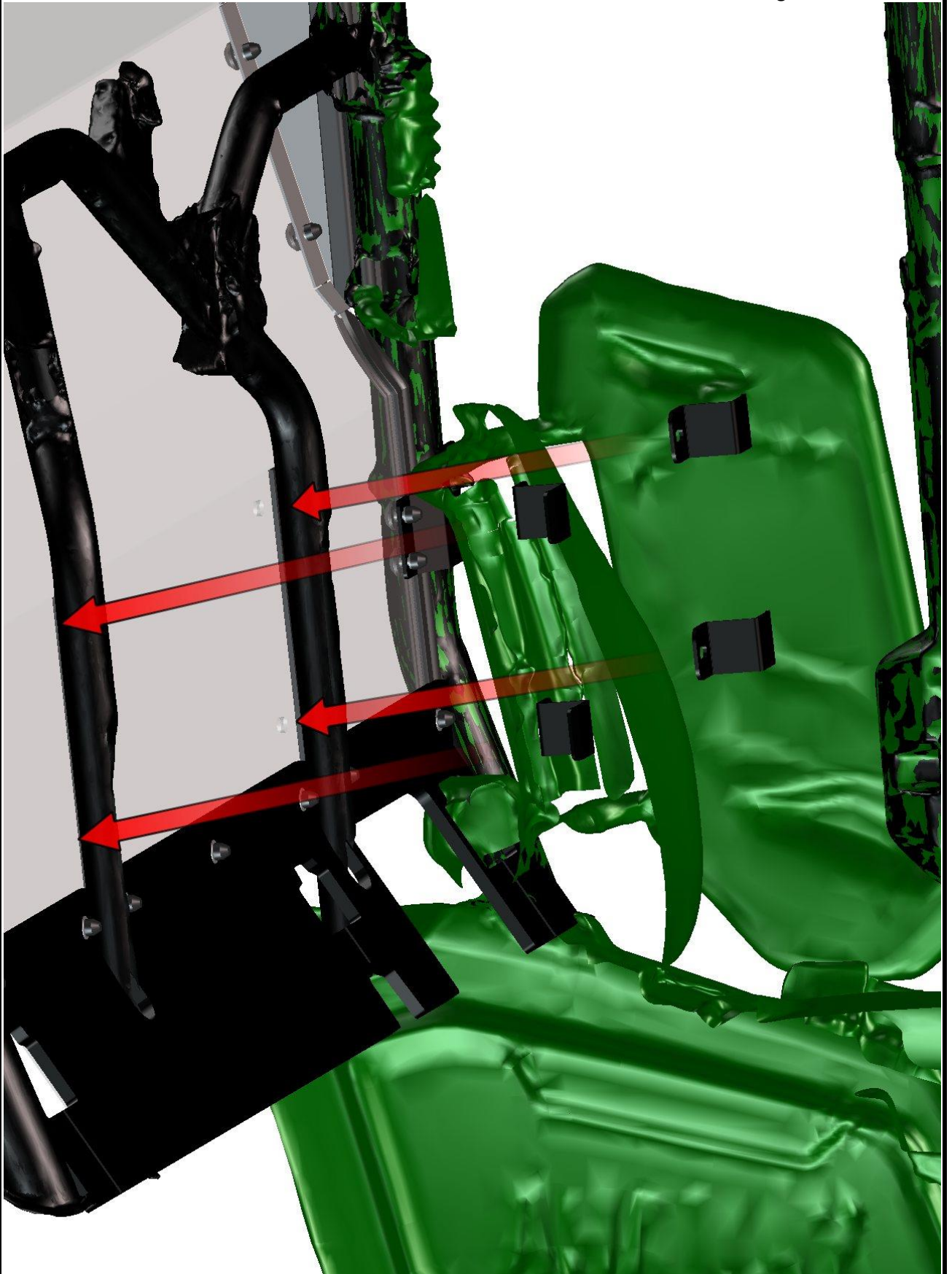
Place the rear left upper holder onto the upper ledge and onto the roller cage.



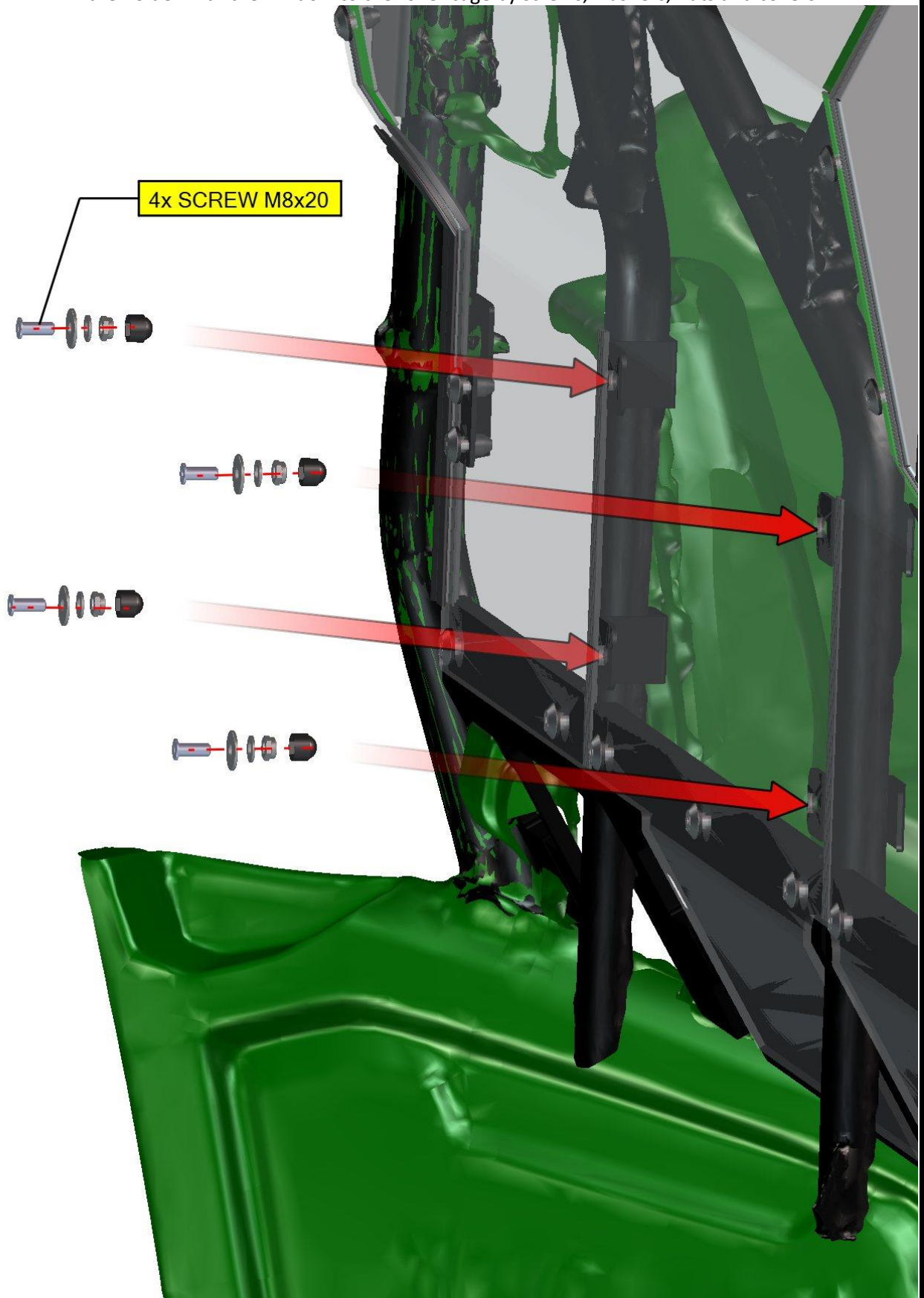
Place the rear right upper holder onto the upper ledge and onto the roller cage.
Fix the holders with the ledge to the roller cage by nuts, washers and covers on both sides.



Place the rear central holder onto the rear window and onto the roller cage.

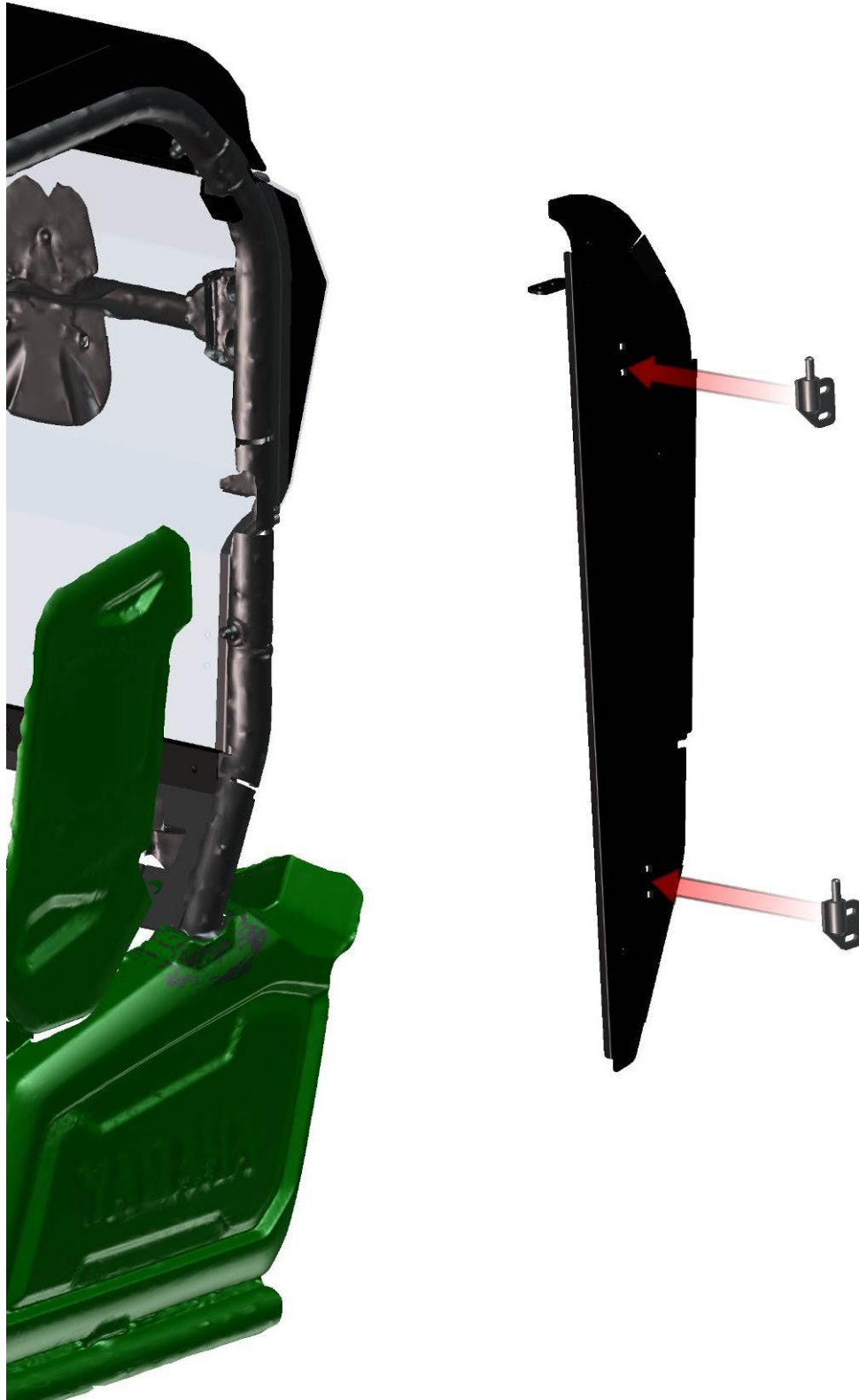


Fix the holder with the window to the roller cage by screws, washers, nuts and covers.

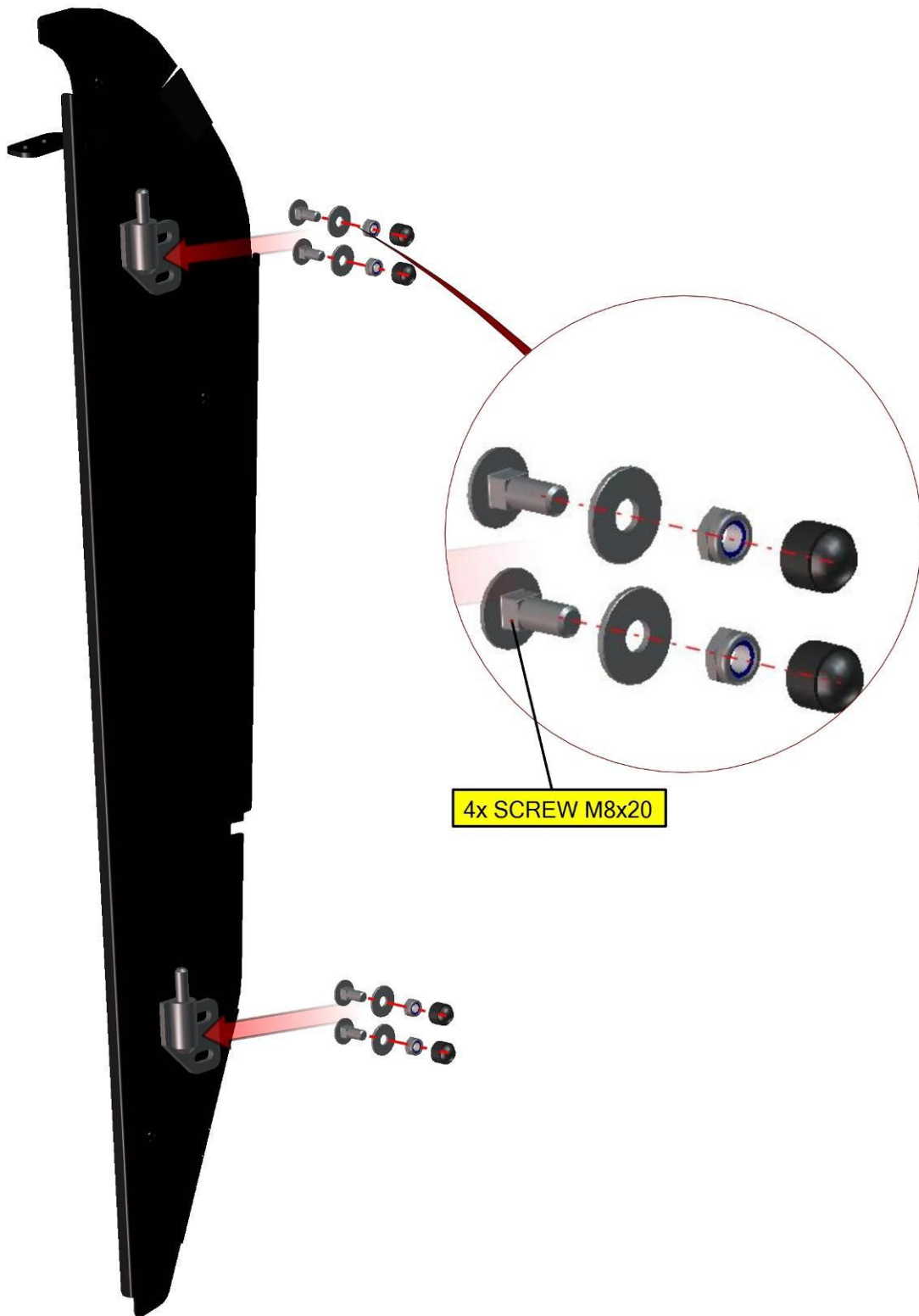


LEFT DOOR + RIGHT DOOR 1.

Place the LEFT hinges onto the LEFT rear door base.



Fix the hinges with the rear door base by screws, washers, nuts and covers.



Repeat previous steps with the right parts.

Uninstall original screws, washers and nuts from the roller cage on both sides. SEE NEXT PAGE



30

DETAIL VIEW

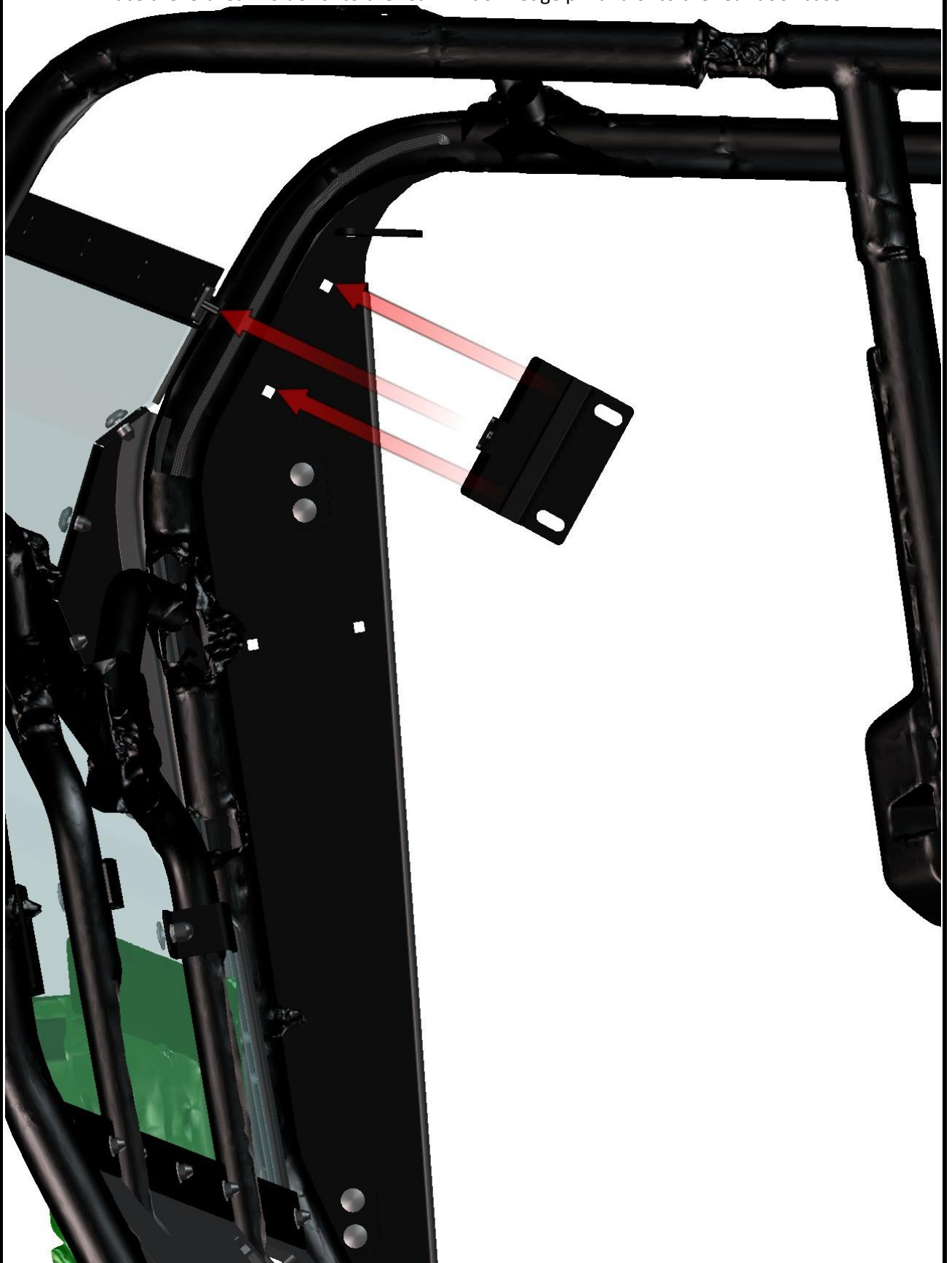


31

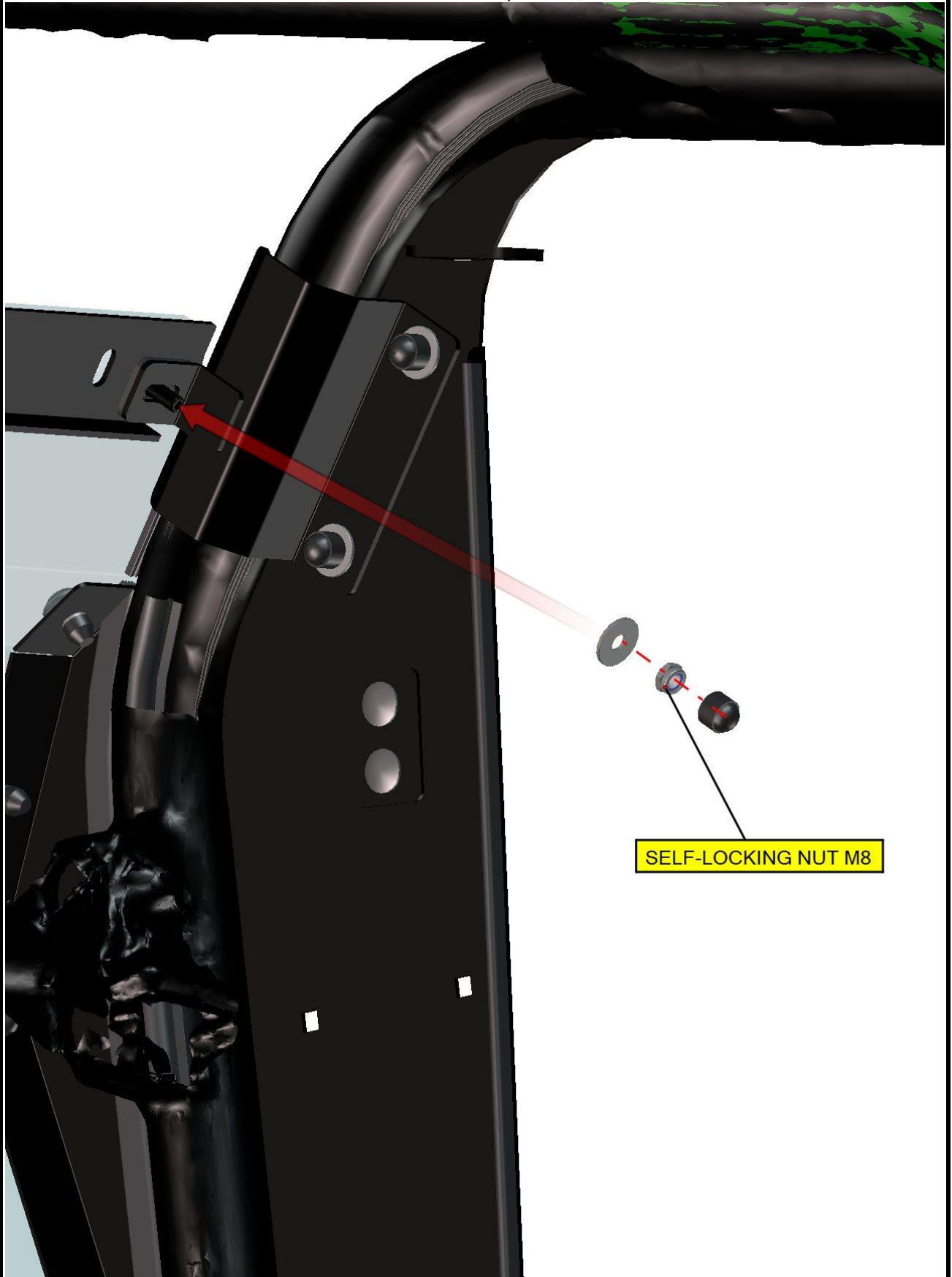
Place the rear door bases onto the roller cage and adjust to position.



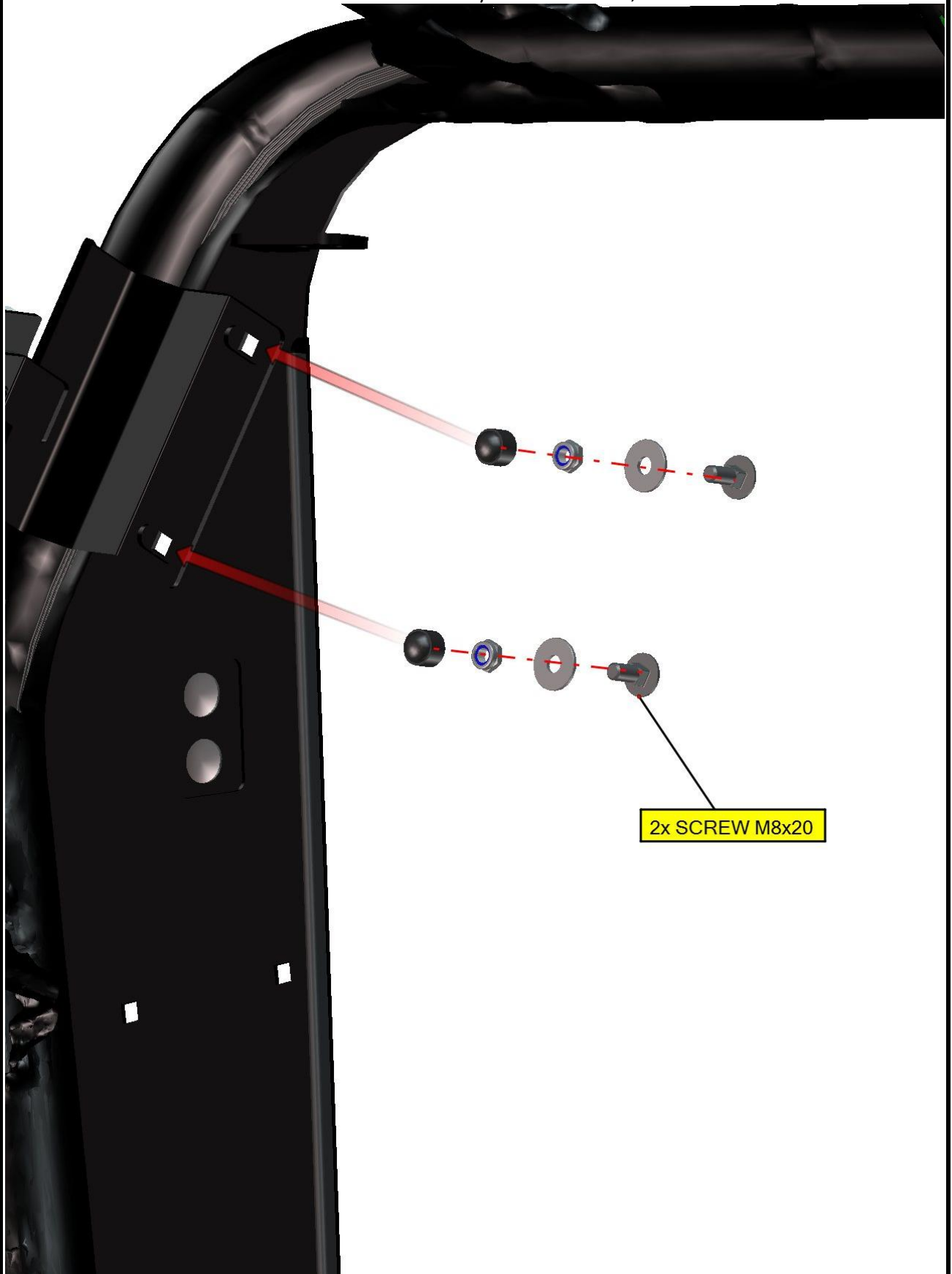
Place the left rear holder onto the rear window ledge pin and onto the rear door base.



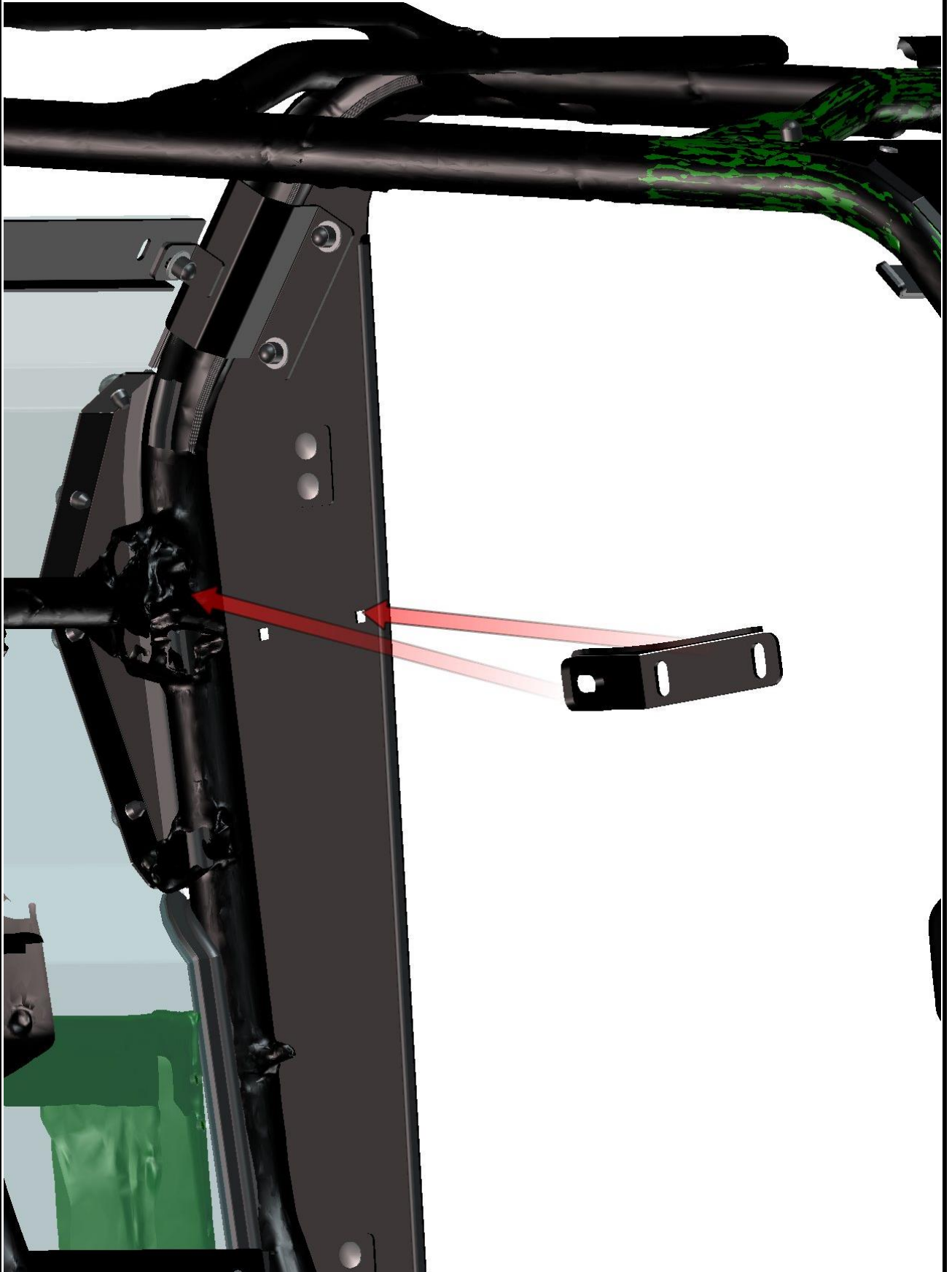
Fix the rear holder with the rear window by screws, washers, nuts and covers.



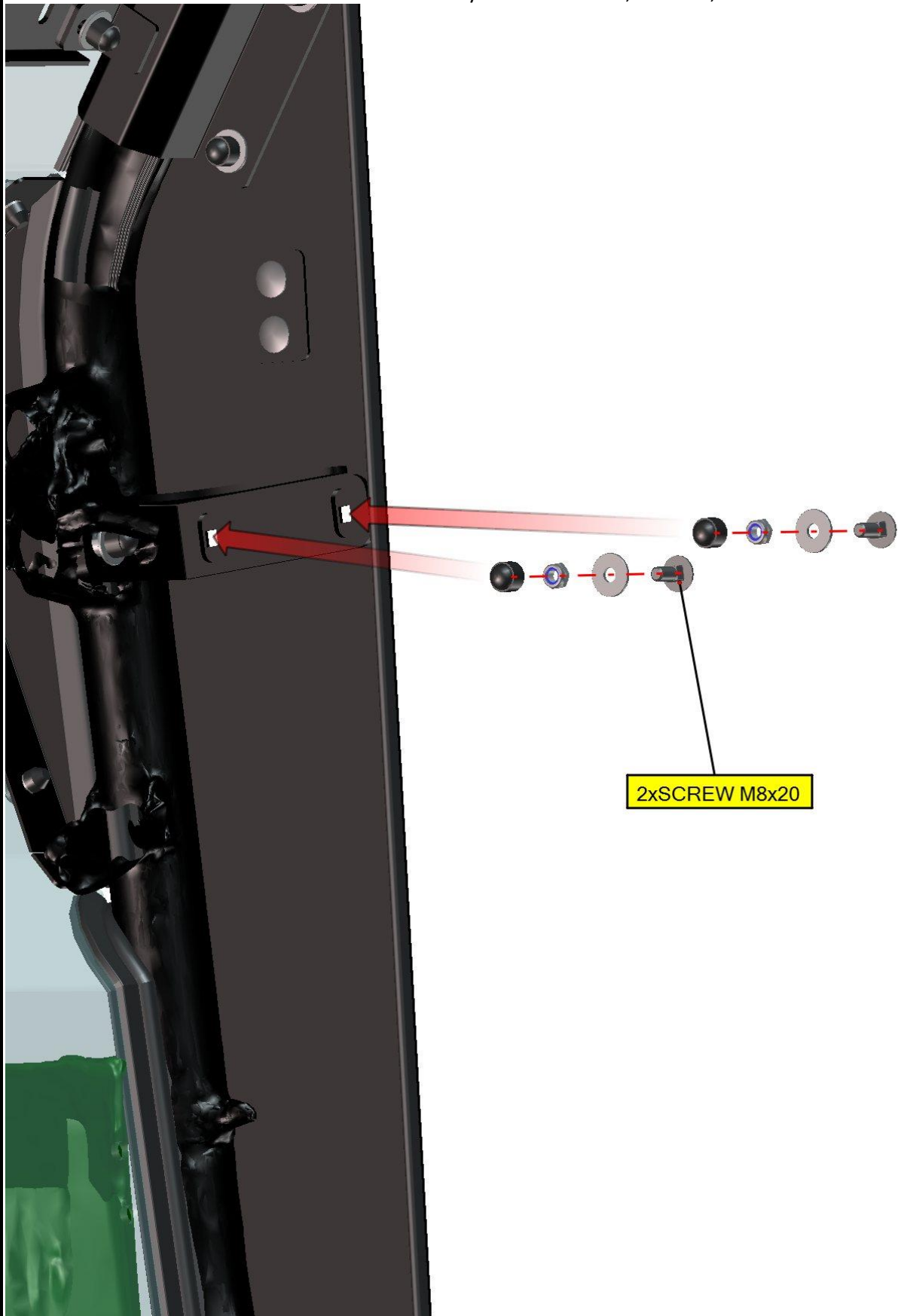
Fix the holder with the rear door base by included screws, washers and covers.



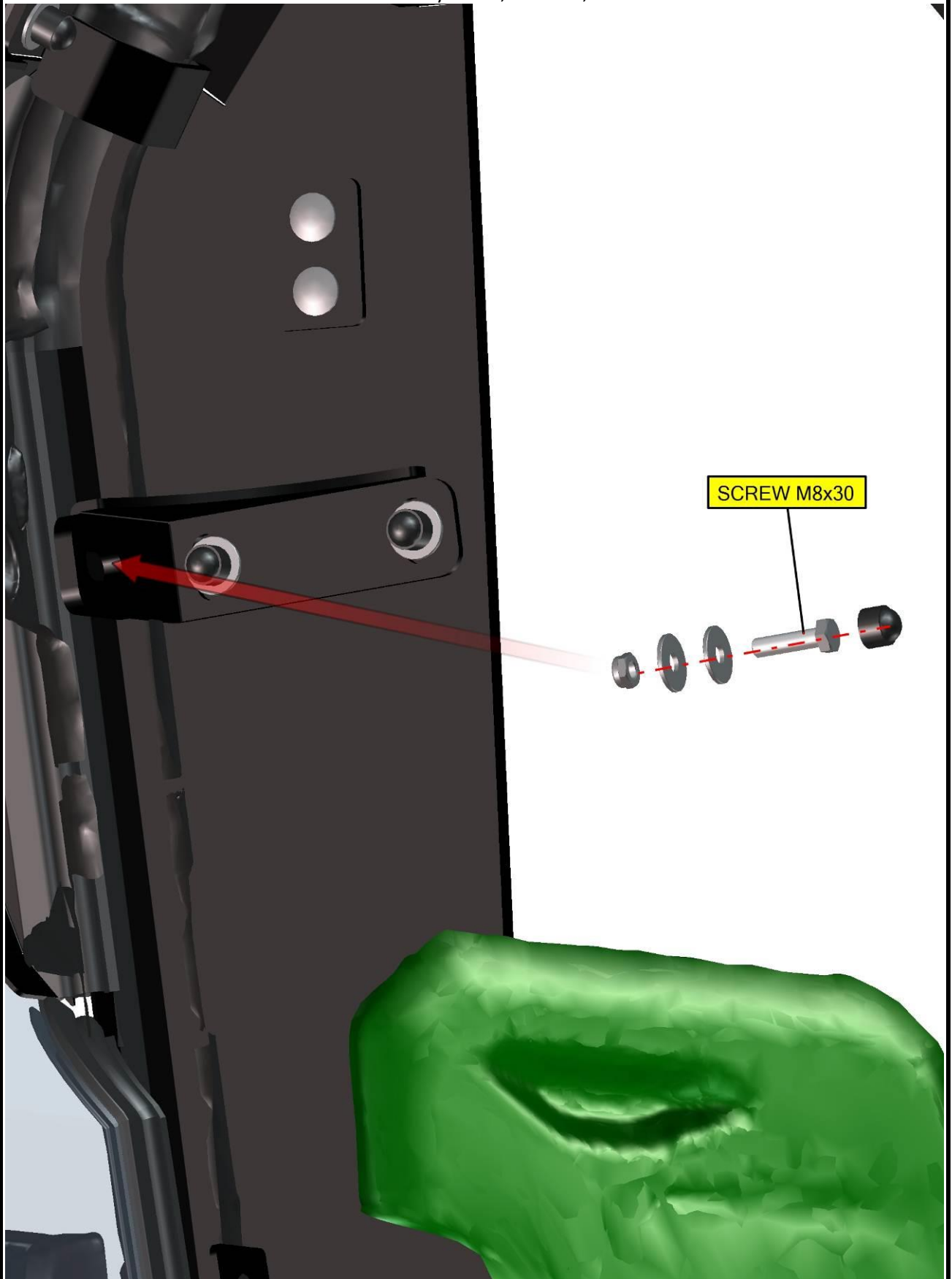
Place the holder onto the rear door base.



Fix the holder with the rear door base by included screws, washers, nuts and covers.



Fix the holder with the reinforcement by screw, washers, nut and cover. SEE NEXT PAGE

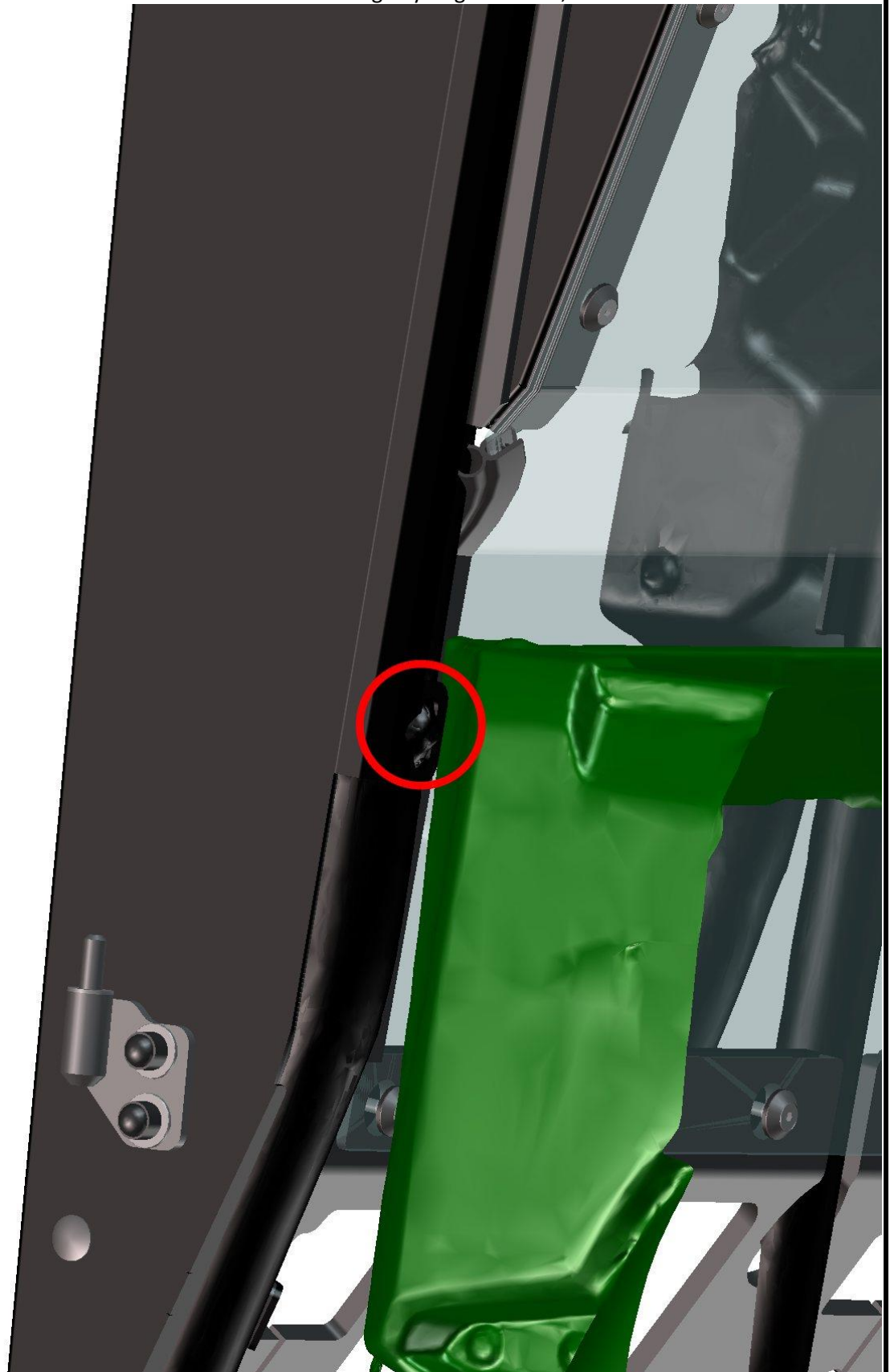


DETAIL VIEW



39

Fix the rear door base with the roller cage by original screw, washers and nut.



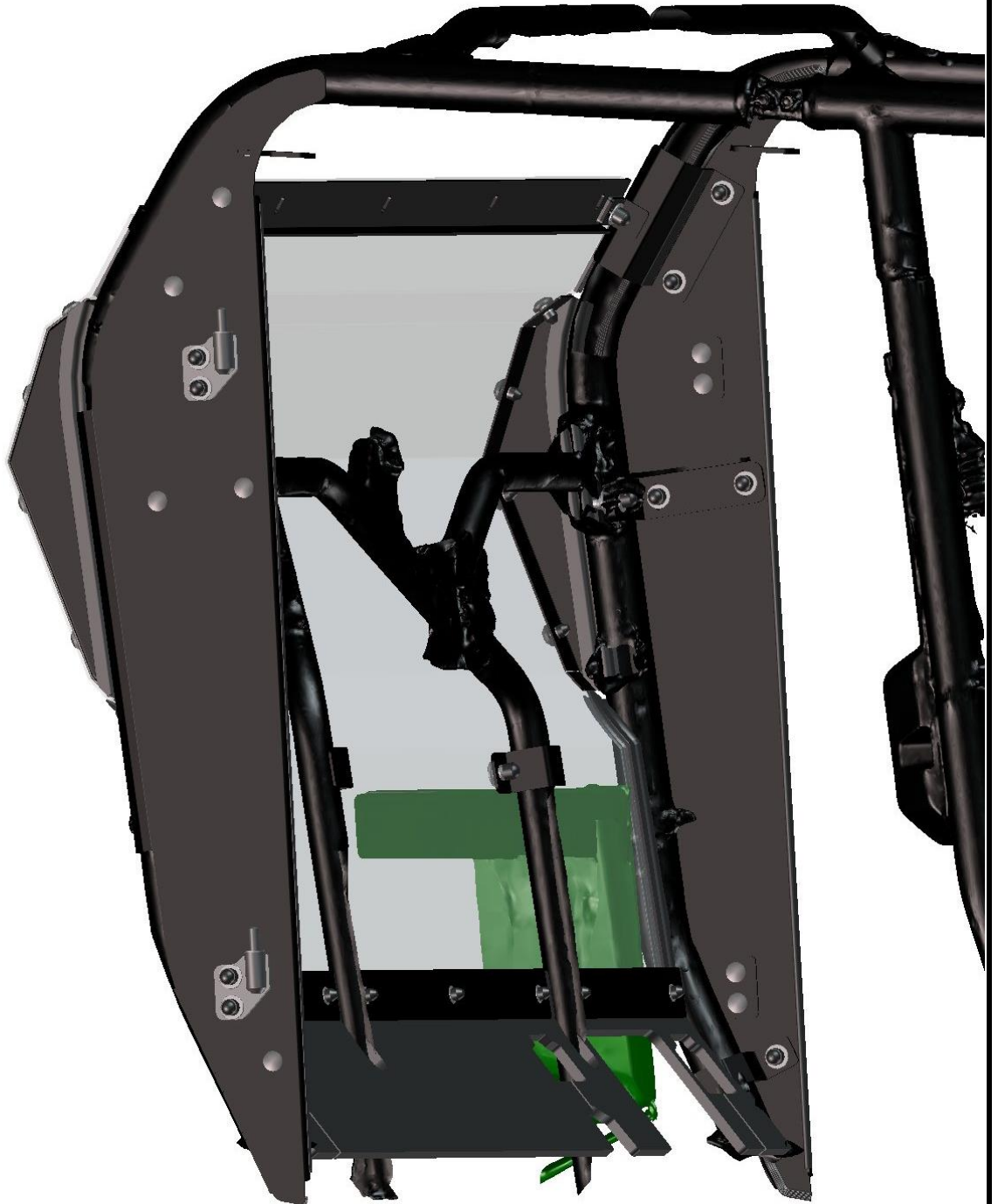
40

Repeat previous steps on the right side.

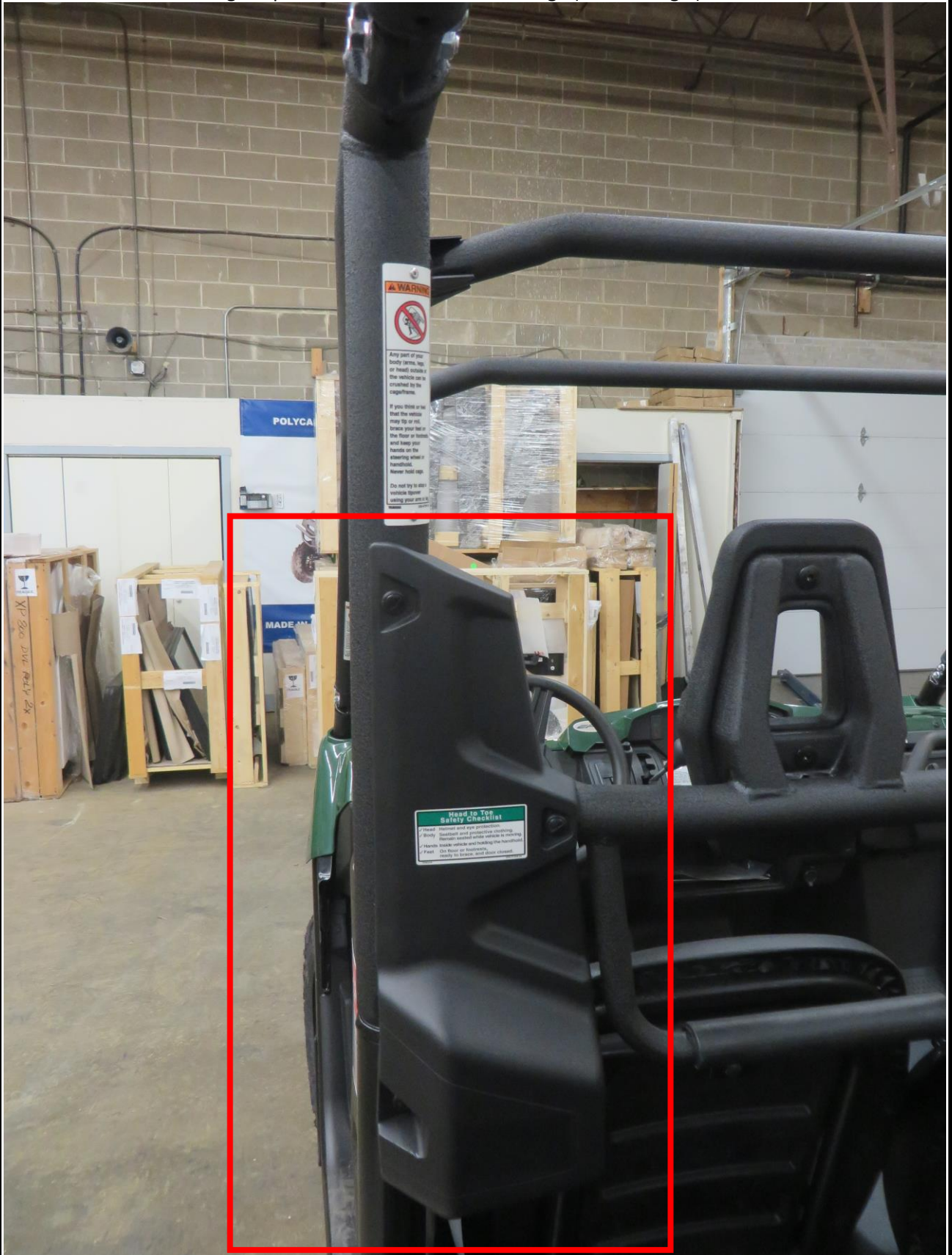
Adjust the rear door base to best position and tighten all nut and screws correctly.



Repeat previous steps on the right side.

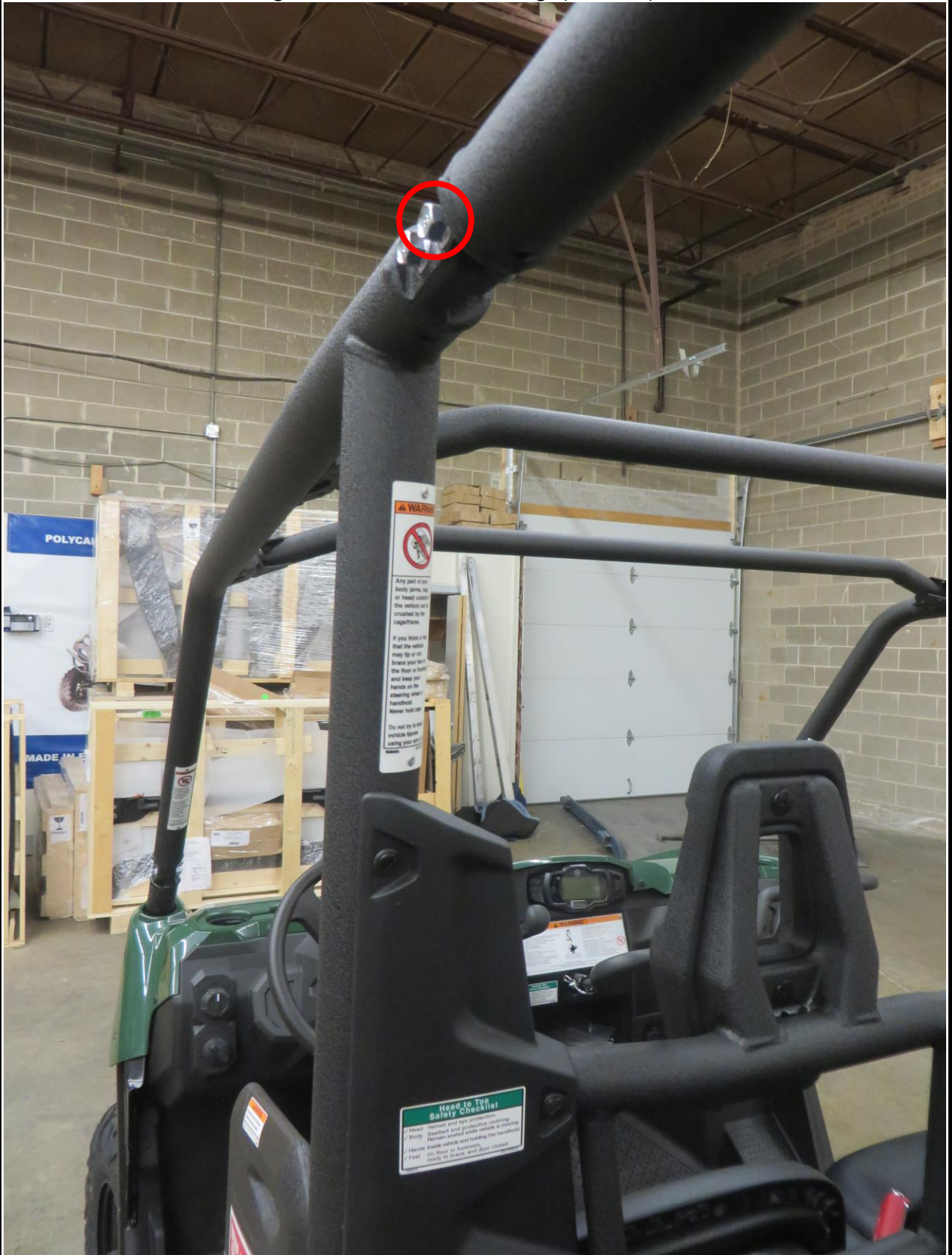


Uninstall original plastic cover from UTV roller cage (red rectangle) on both sides.



43

Uninstall original screw from UTV roller cage (red circle) on both sides.



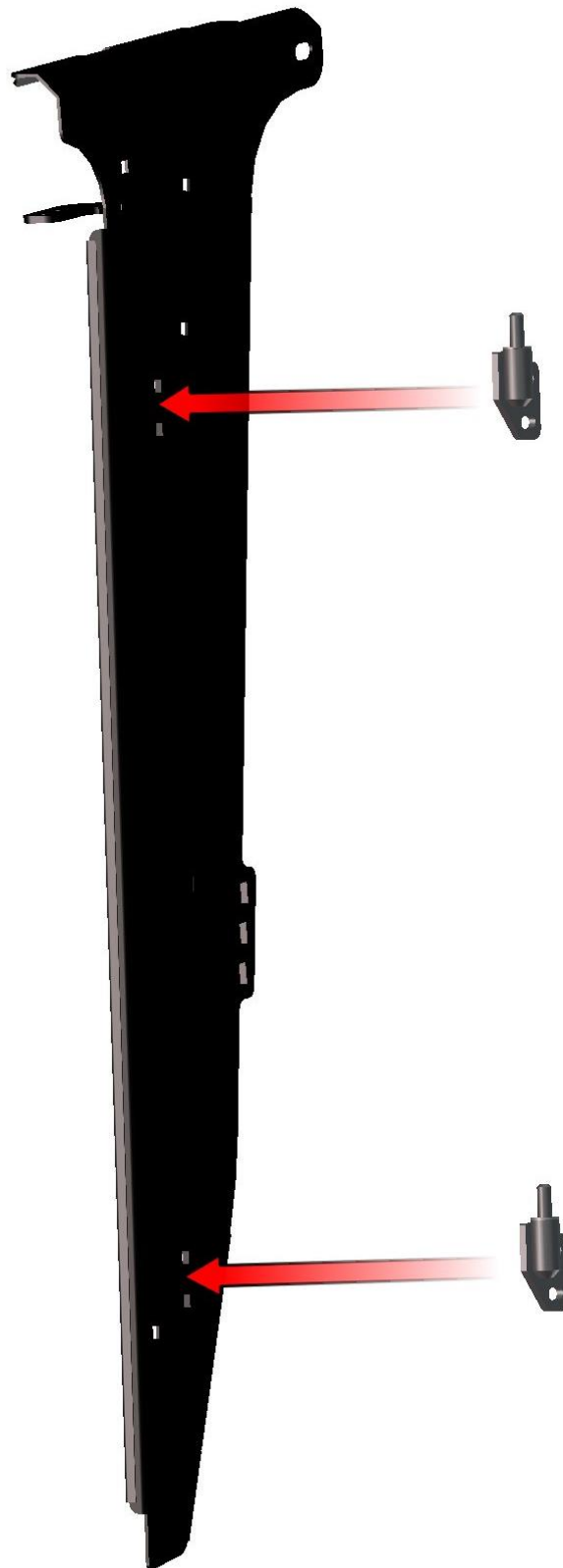
44

DETAILED VIEW

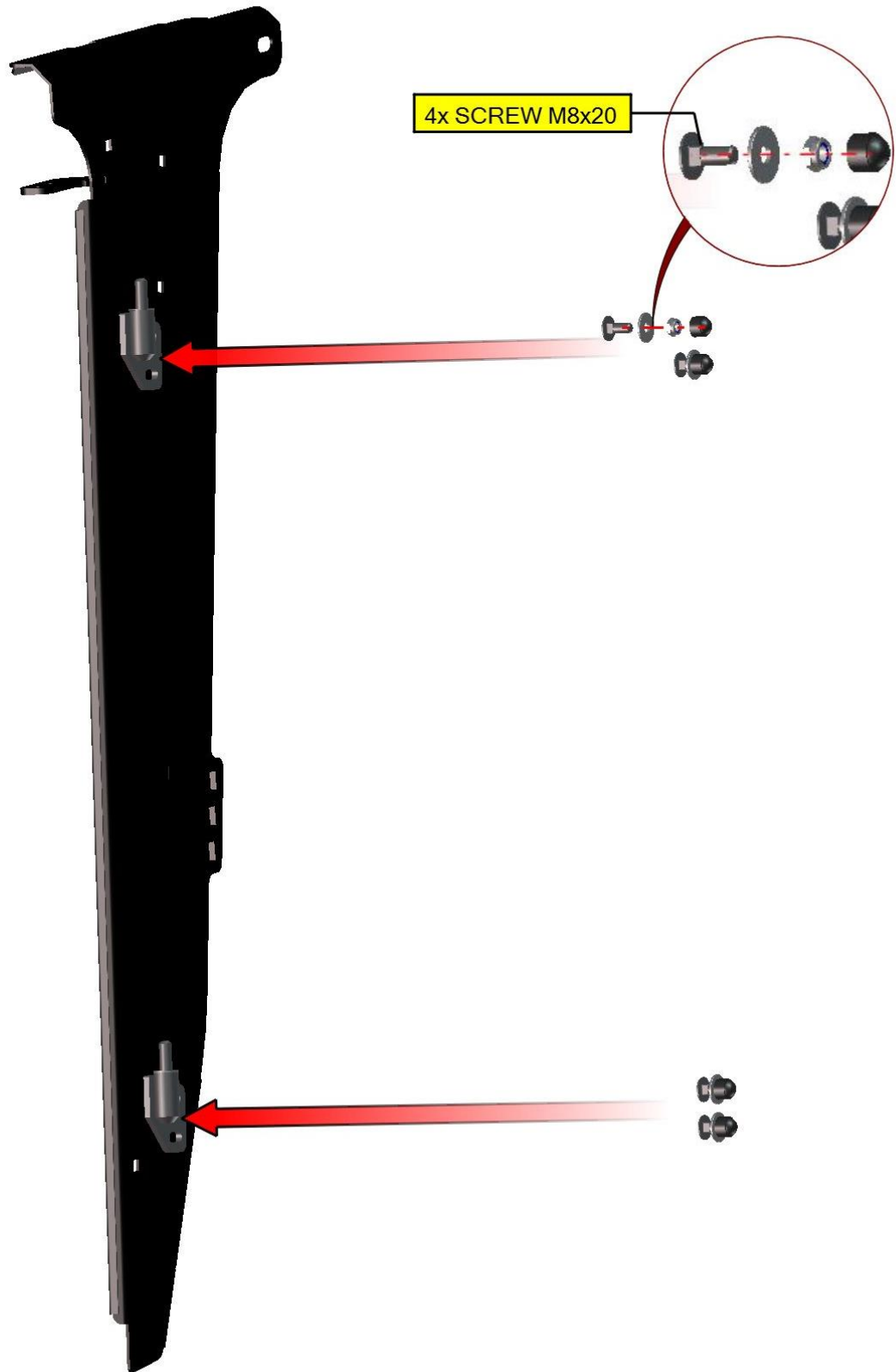


45

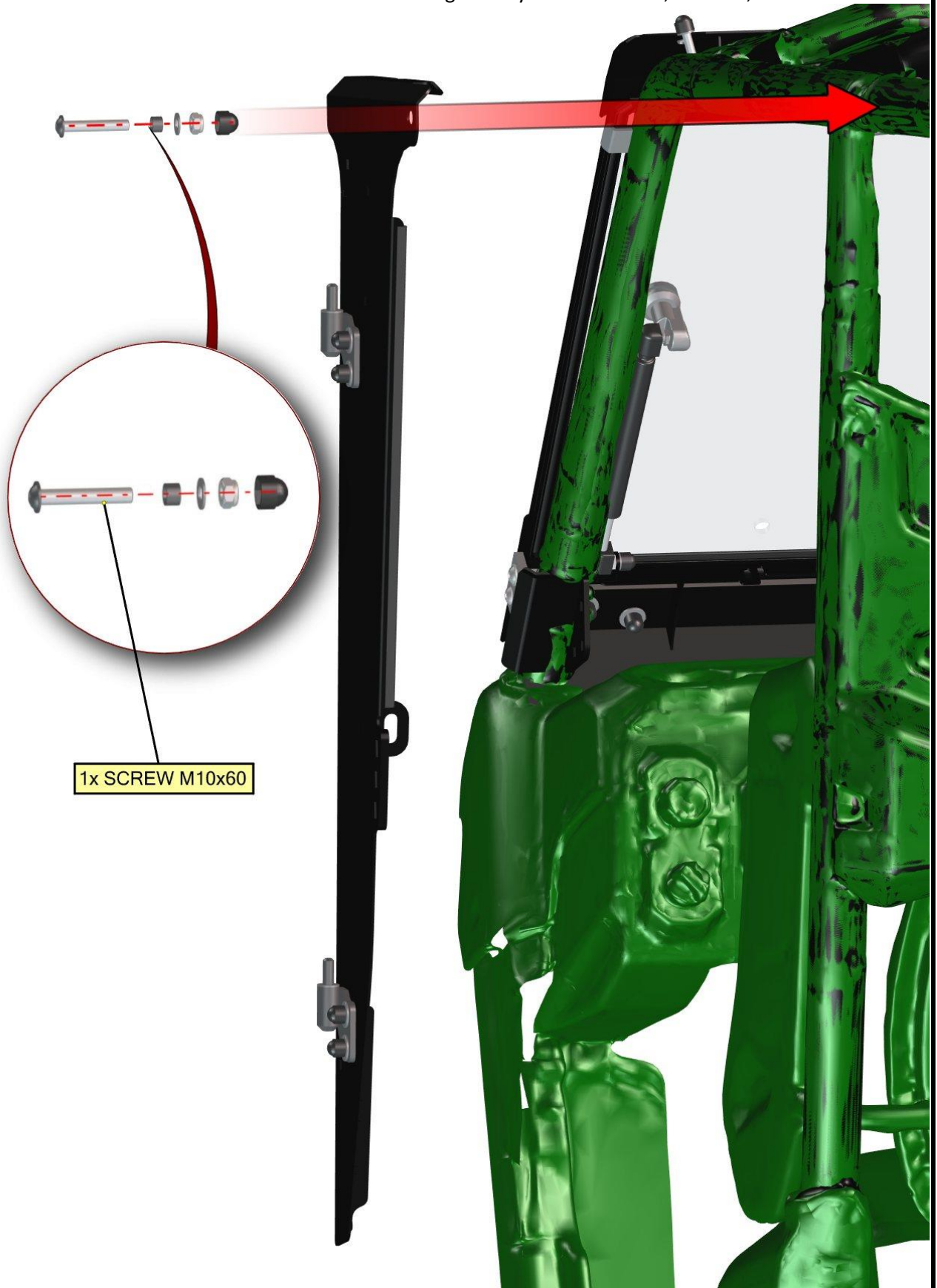
Place the LEFT hinges onto the LEFT front door base.



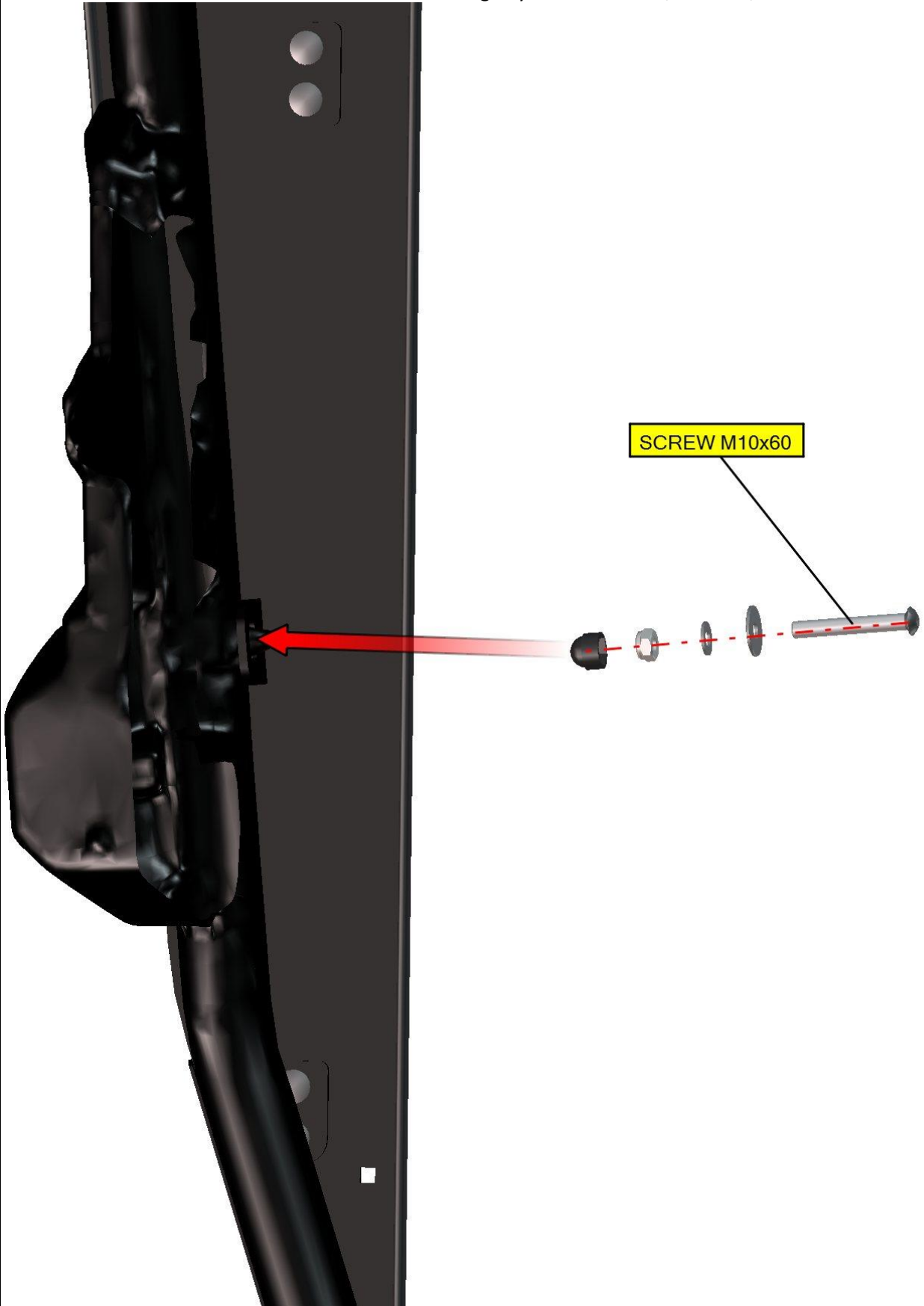
Fix the hinges with the front door base by included screws, washers, nuts and covers.



Place the front door base onto the UTV roller cage. Fix by included screw, washers, nut and cover.



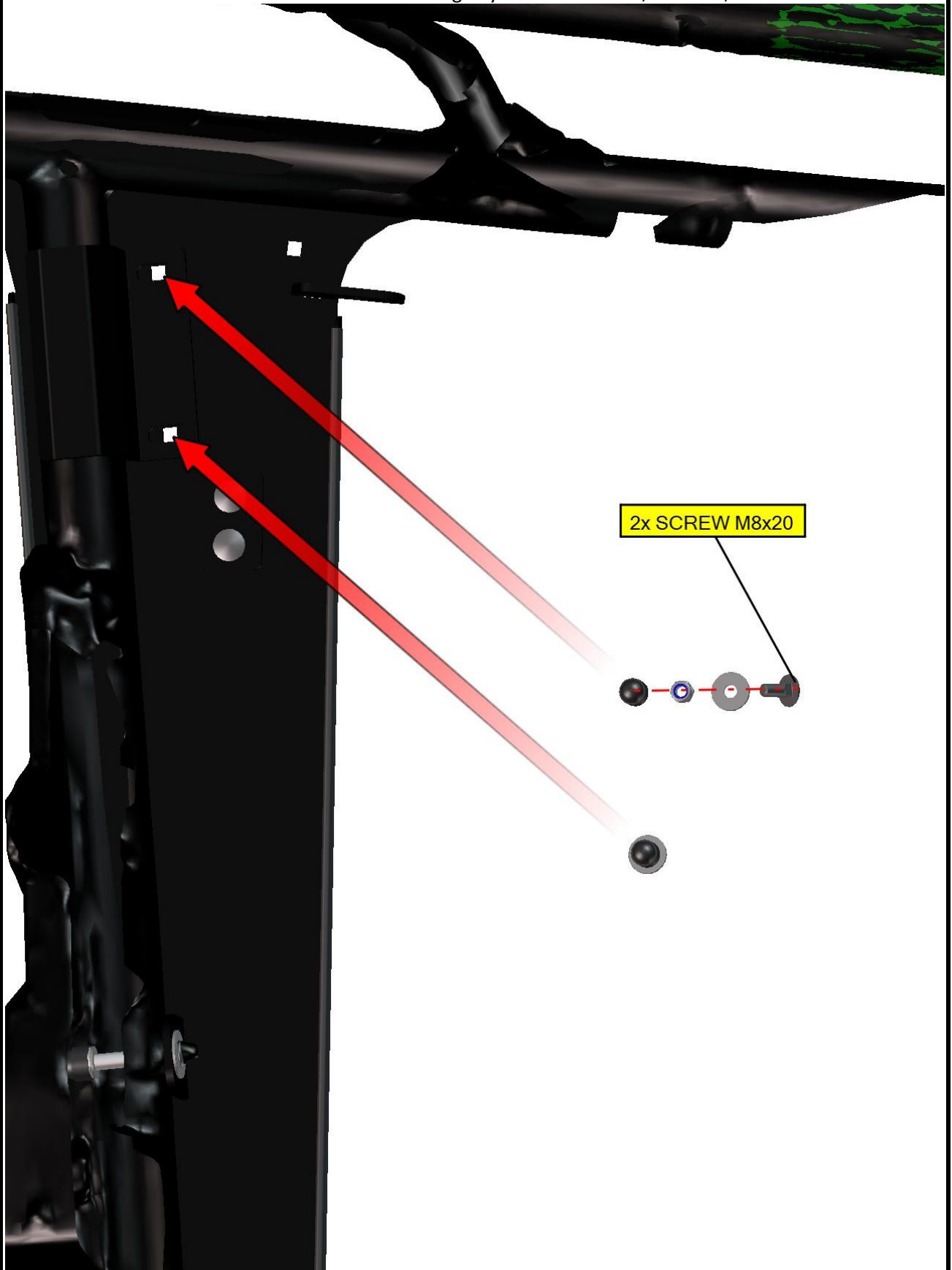
Fix the front door base with the UTV roller cage by included screw, washers, nut and cover.



Place the middle holder onto the front door base.



Fix the middle holder with the UTV roller cage by included screws, washers, nuts and covers.



Place the bottom holder onto the front door base.



Fix the bottom holder with the front door base by included screw, washers, nut and cover.



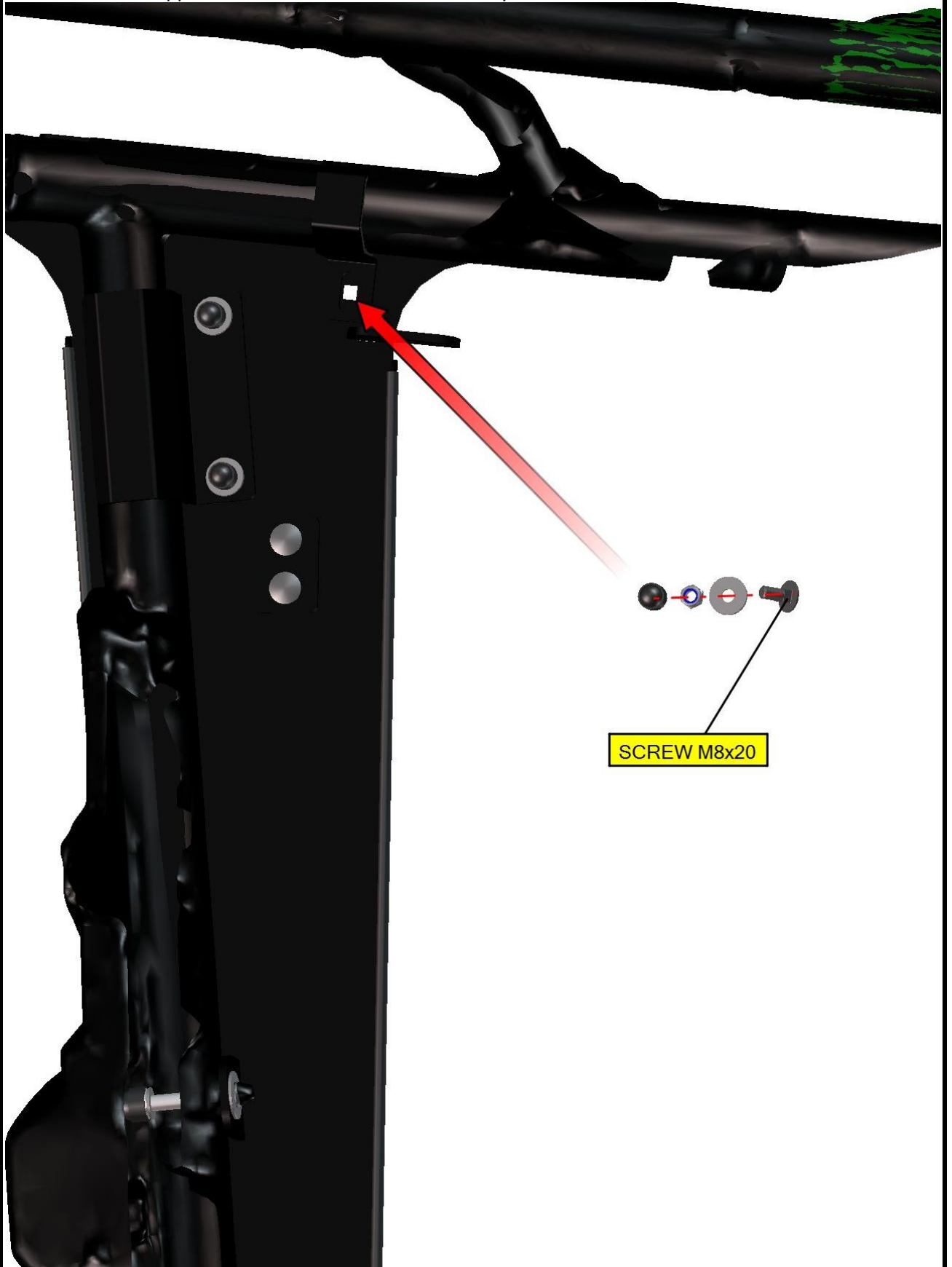
SCREW M8x20



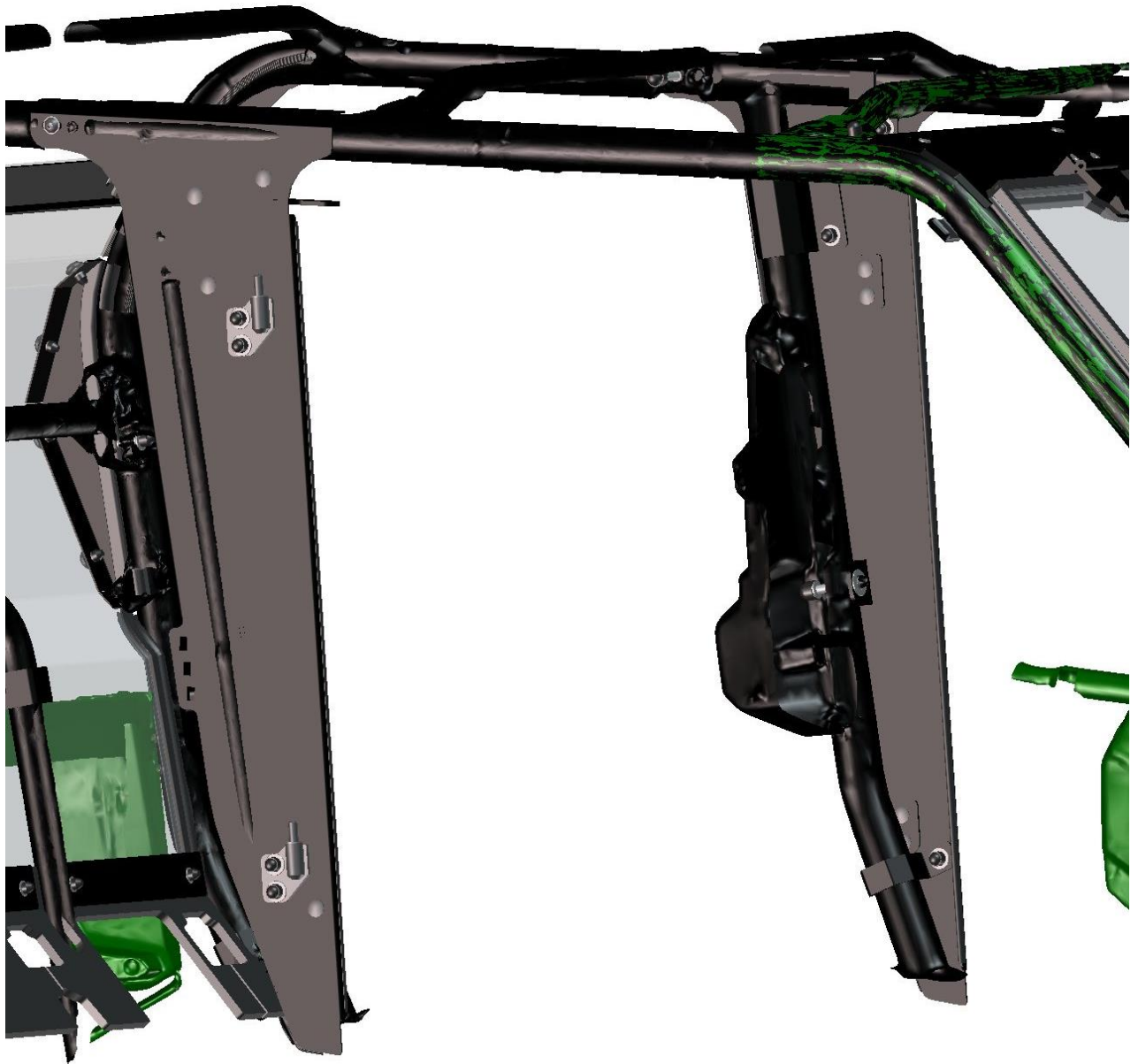
Place the upper holder onto the front door base.



Fix the upper holder with the front door base by included screw, washer, nut and cover.



Repeat previous steps with the right front door base.

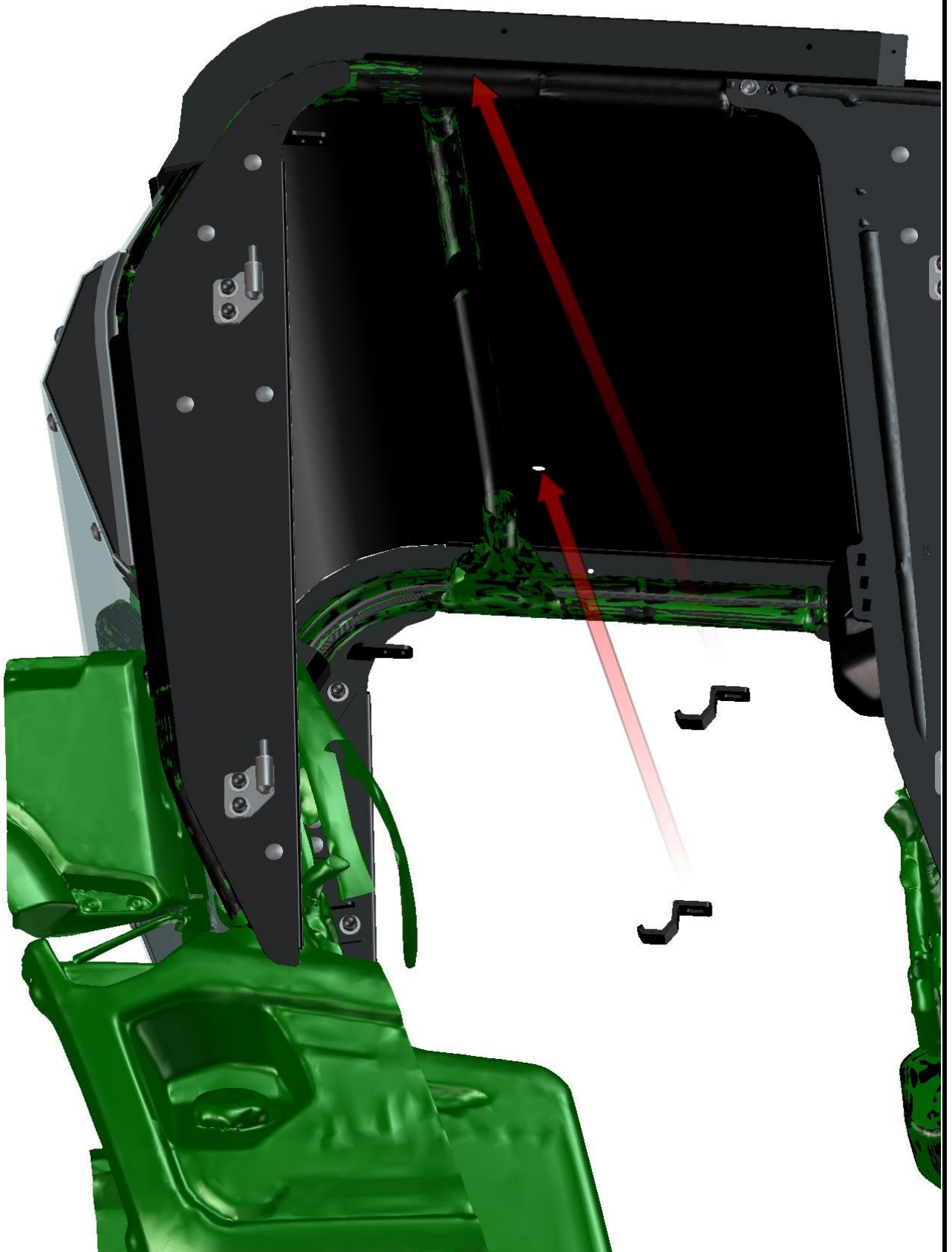


ROOF

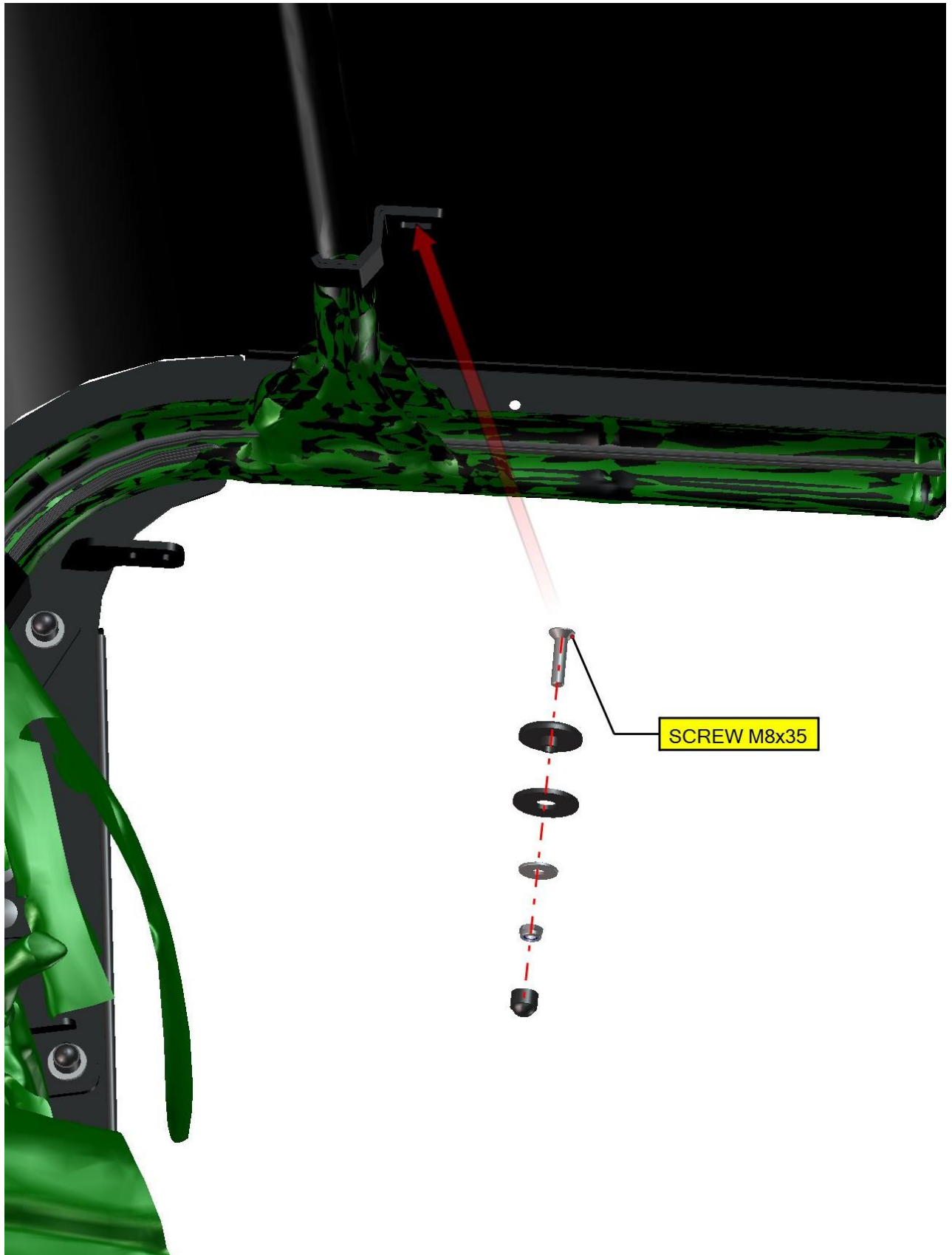
Place the rear roof panel onto the roller cage and adjust that to best position.



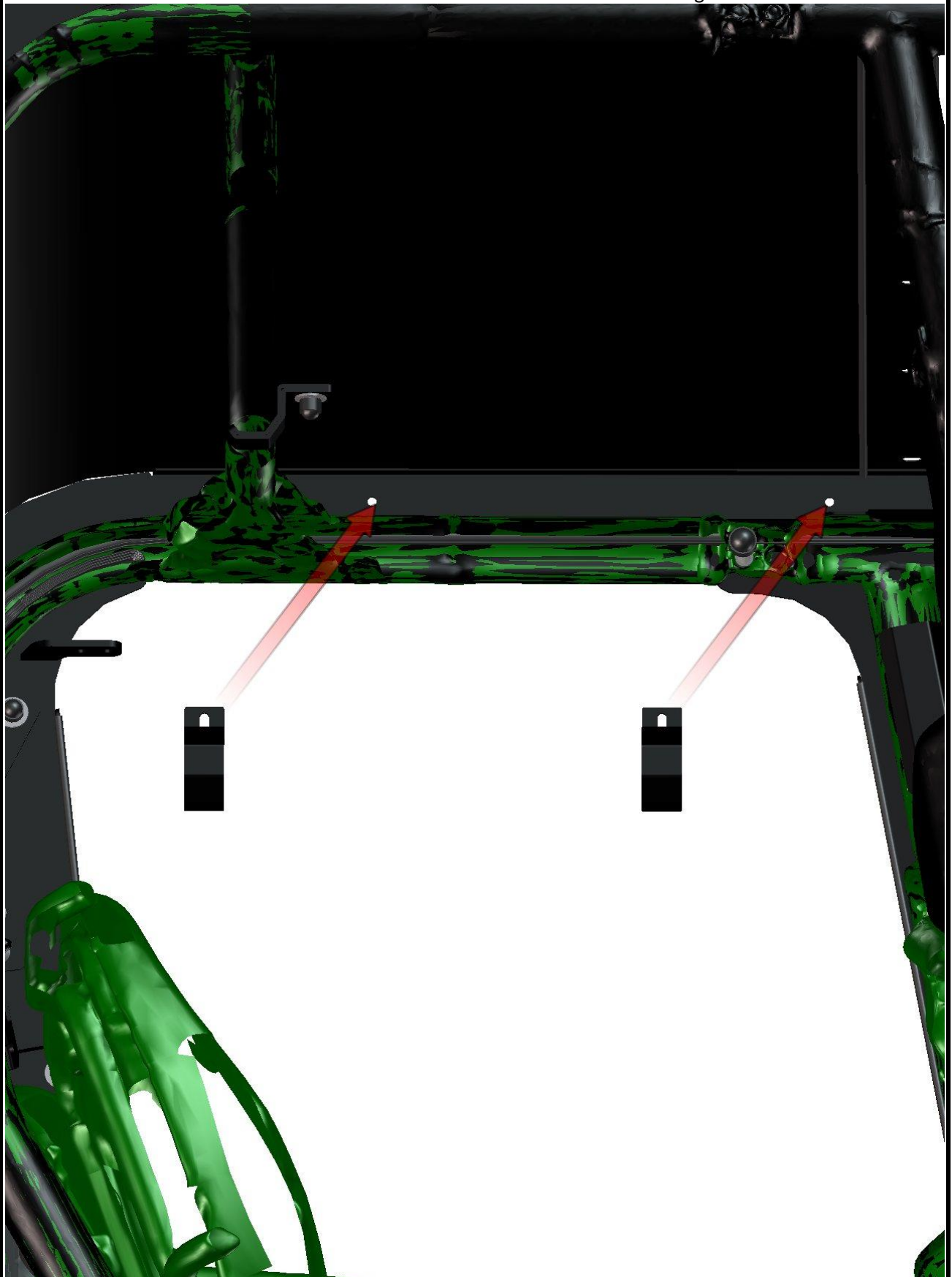
Place the rear roof holders onto the rear roof panel and onto the roller cage.



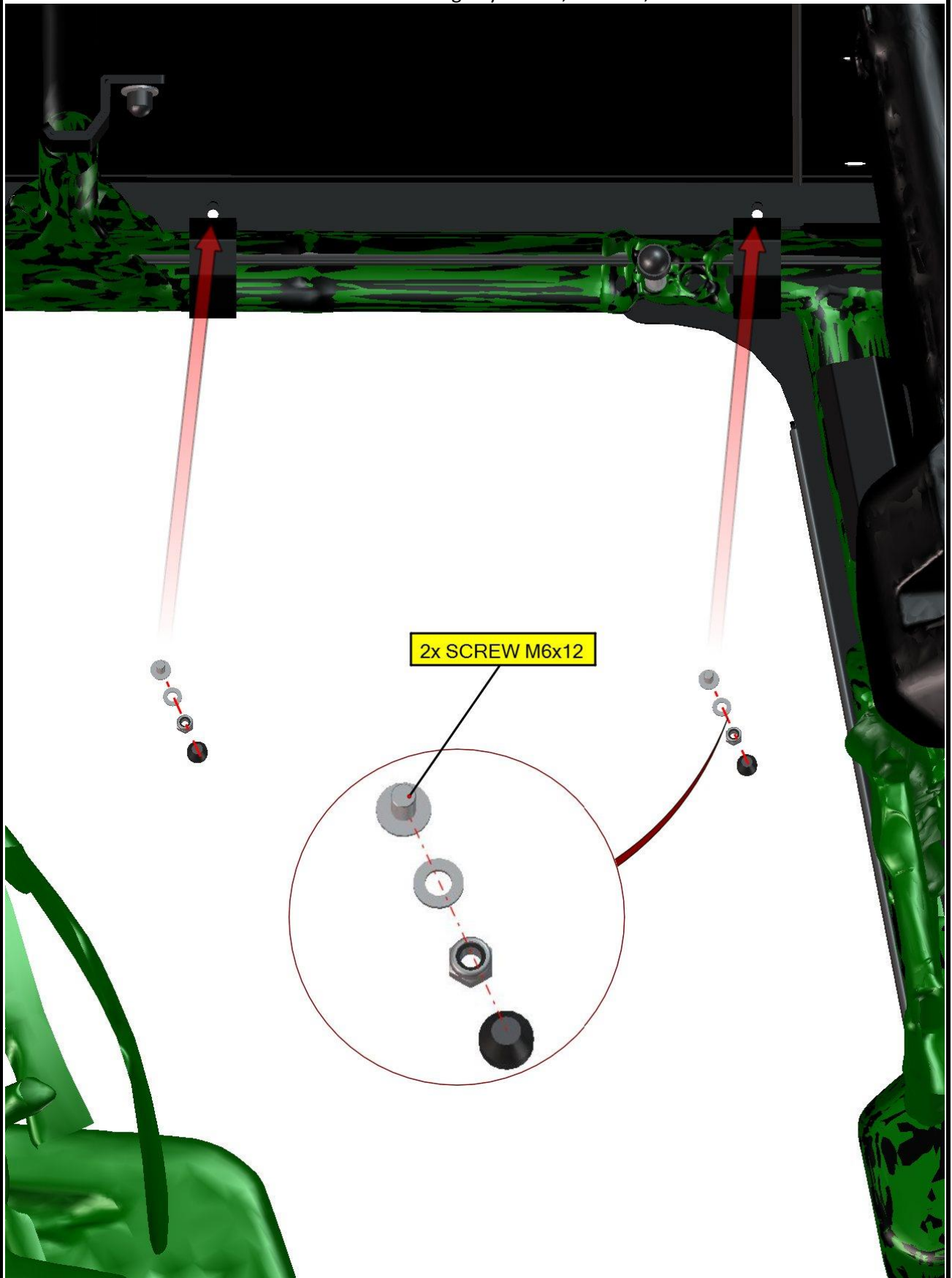
Fix the rear roof holders with the rear roof to the roller cage by screws, washers, nuts and covers on both sides.



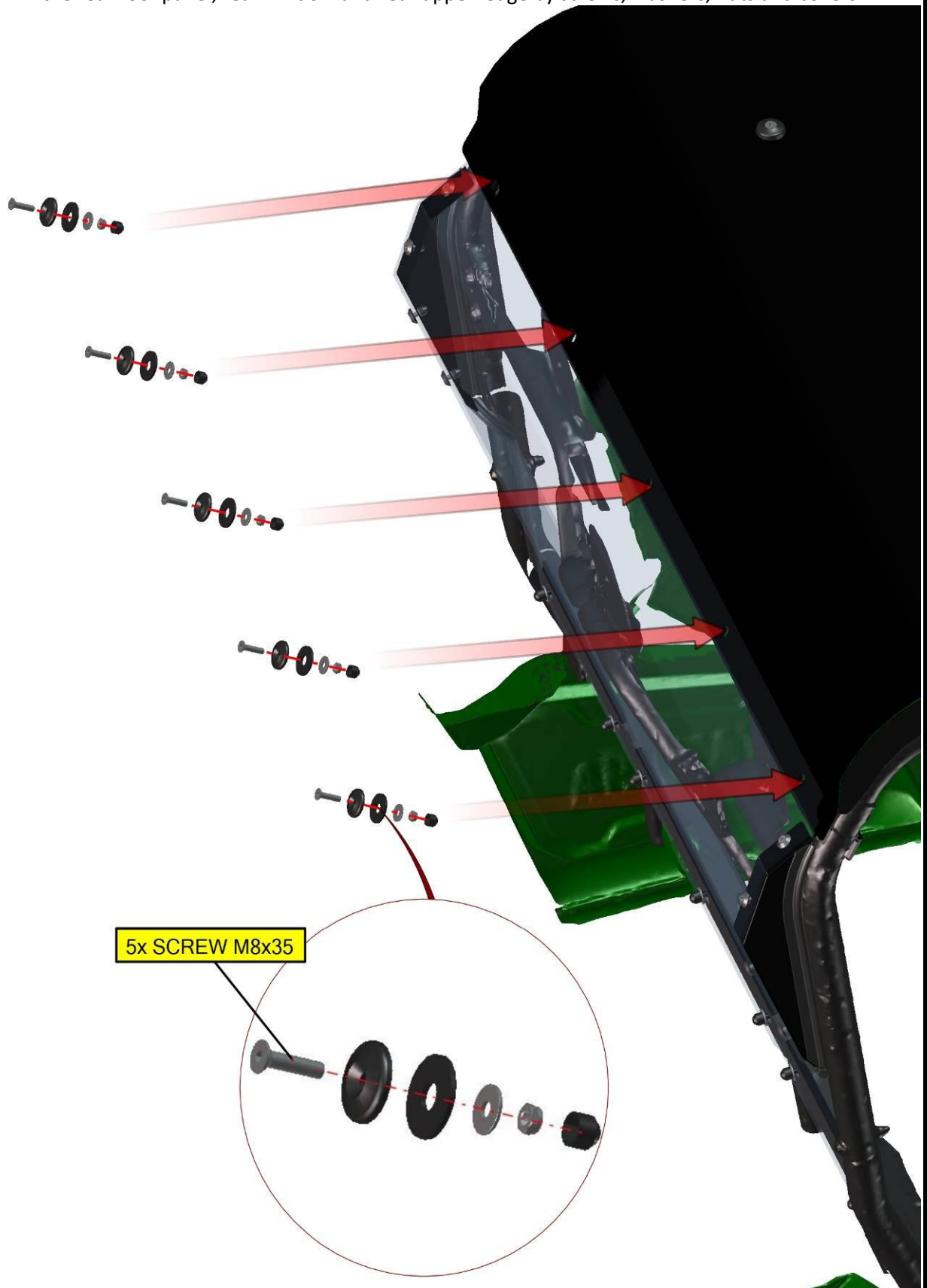
Place the rear roof side holders onto the roof and onto the roller cage on both sides.



Fix the holders with the rear roof to the roller cage by screws, washers, nuts and covers on both sides.



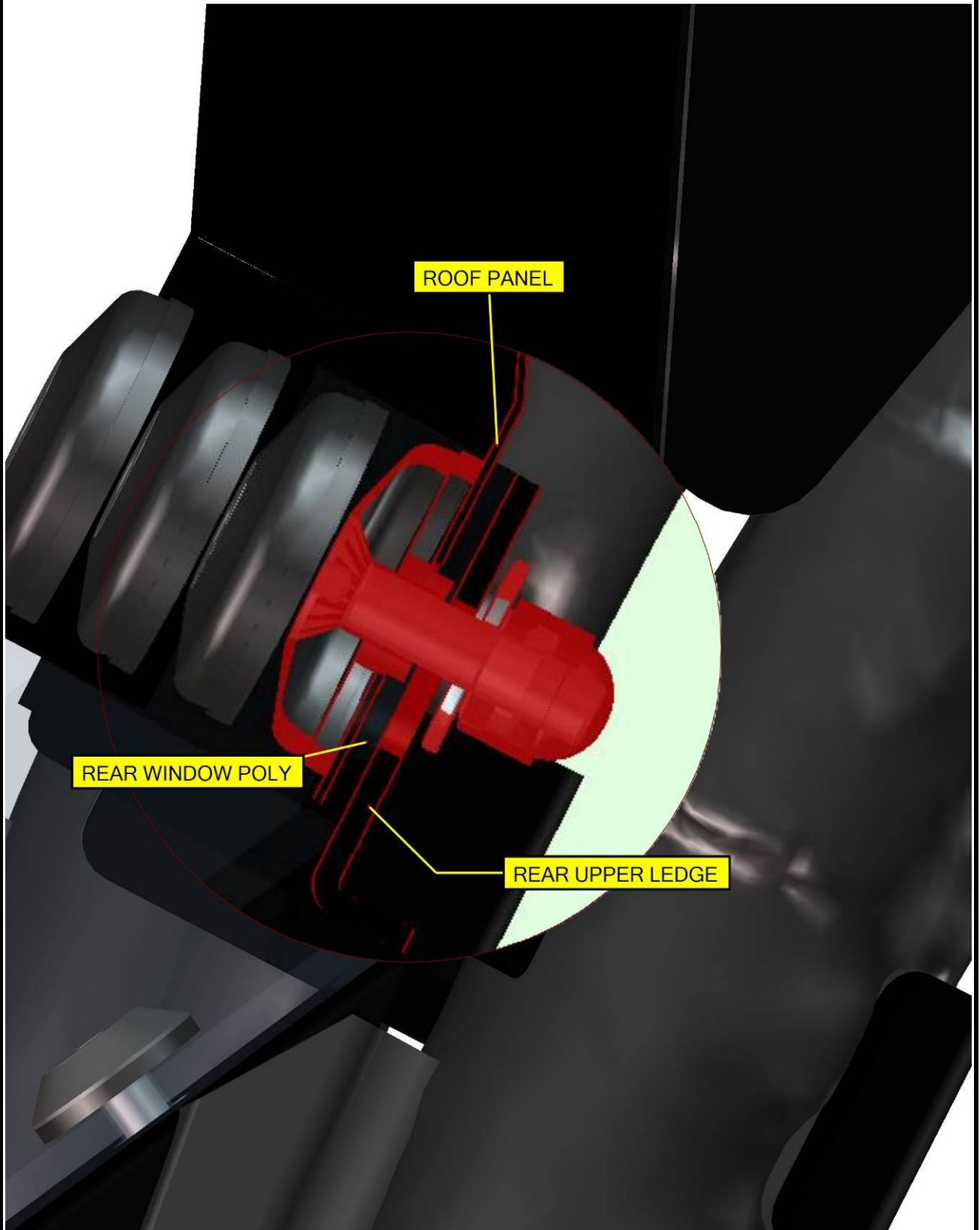
Fix the rear roof panel, rear window and rear upper ledge by screws, washers, nuts and covers.



62

SEE NEXT PAGE

DETAIL CUT VIEW TO CONNECTION

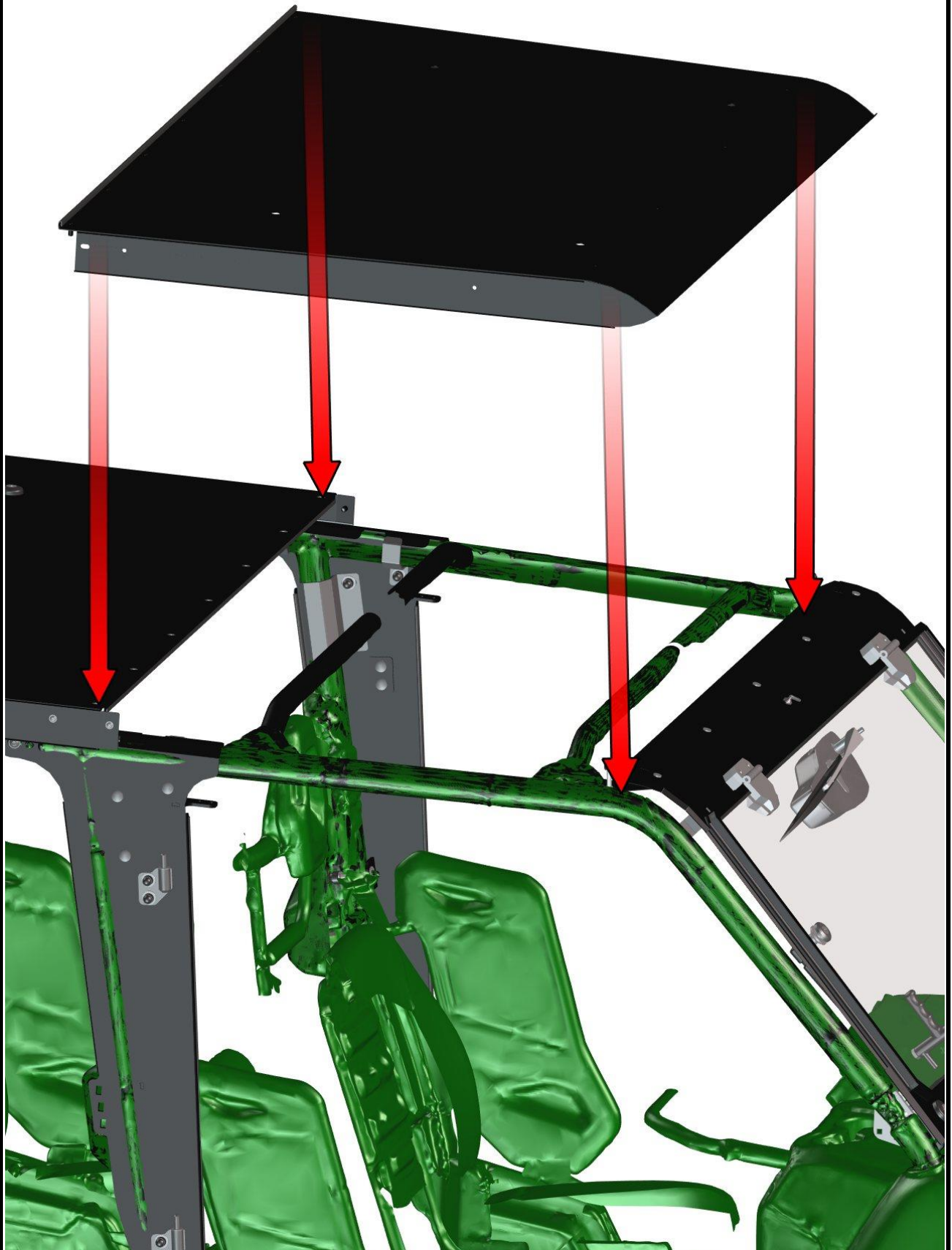


63

Tighten all screws and nuts correctly.

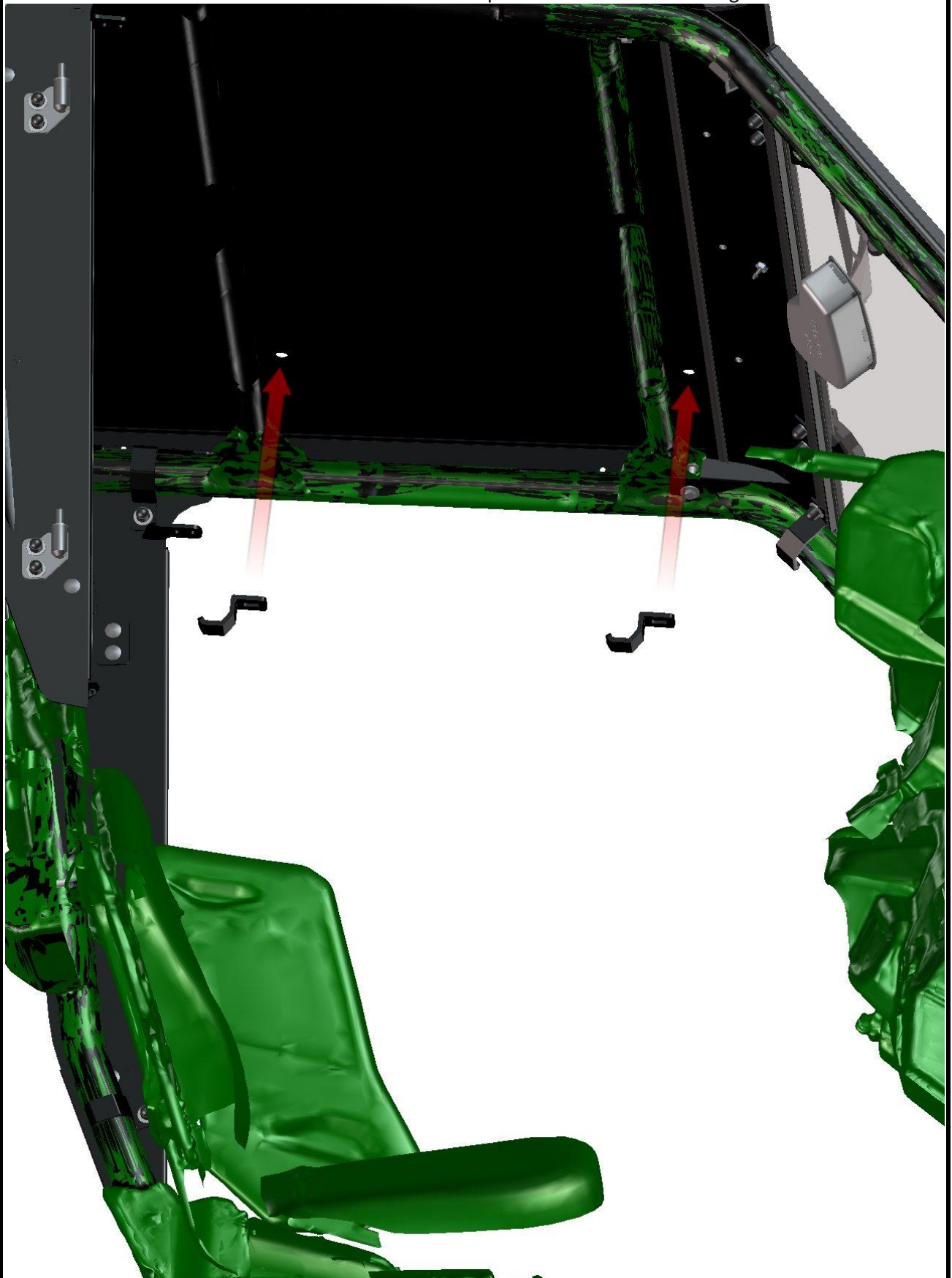
Please be careful not to break the plastic washers, if you are tightening screws with plastic washers use maximal power 3,7 foot-pound force (5Nm)!!!

Place the front roof panel onto the roller cage and adjust that to best position.



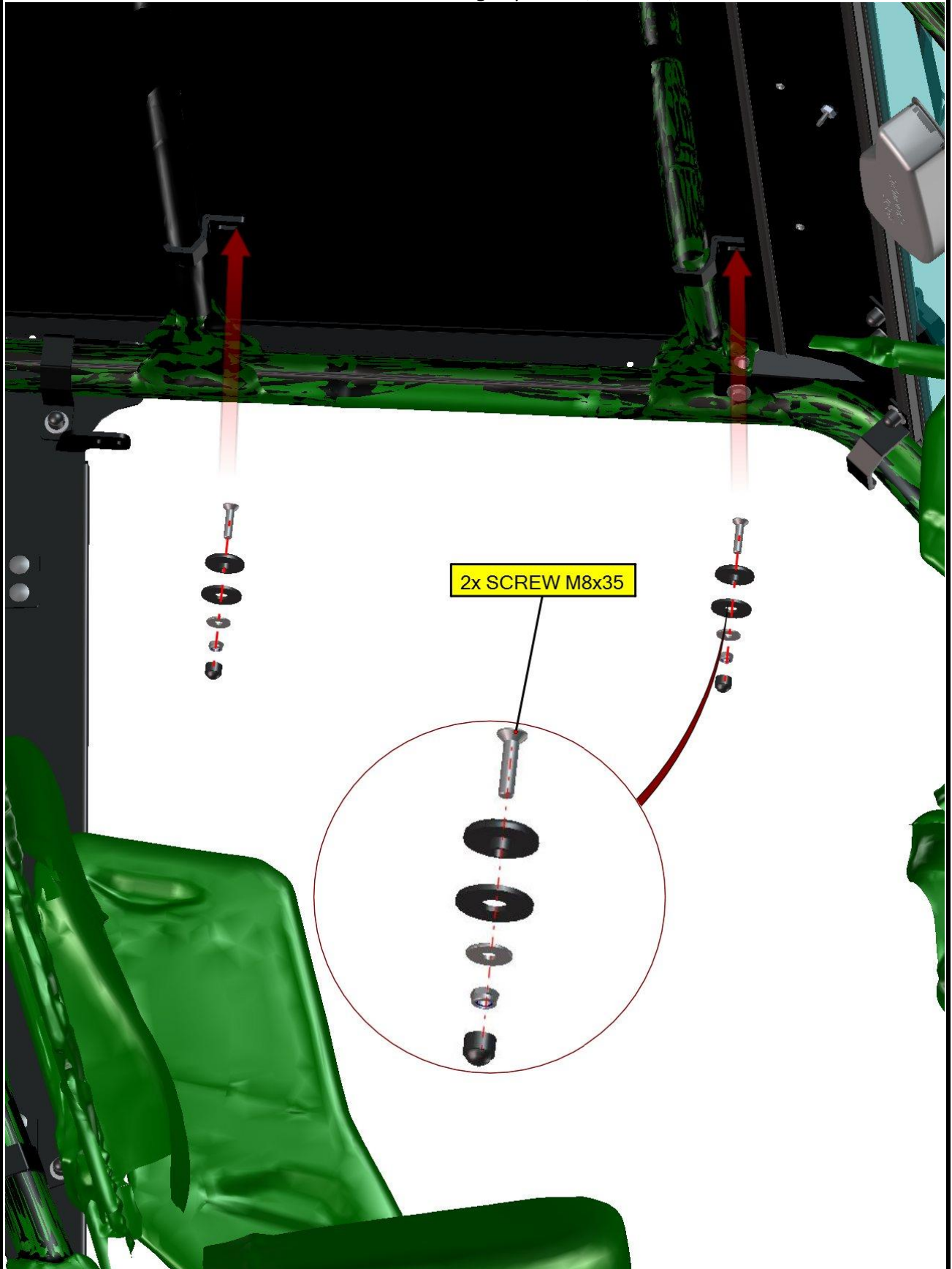
64

Place the front roof holders onto the front roof panel and onto the roller cage on both sides.

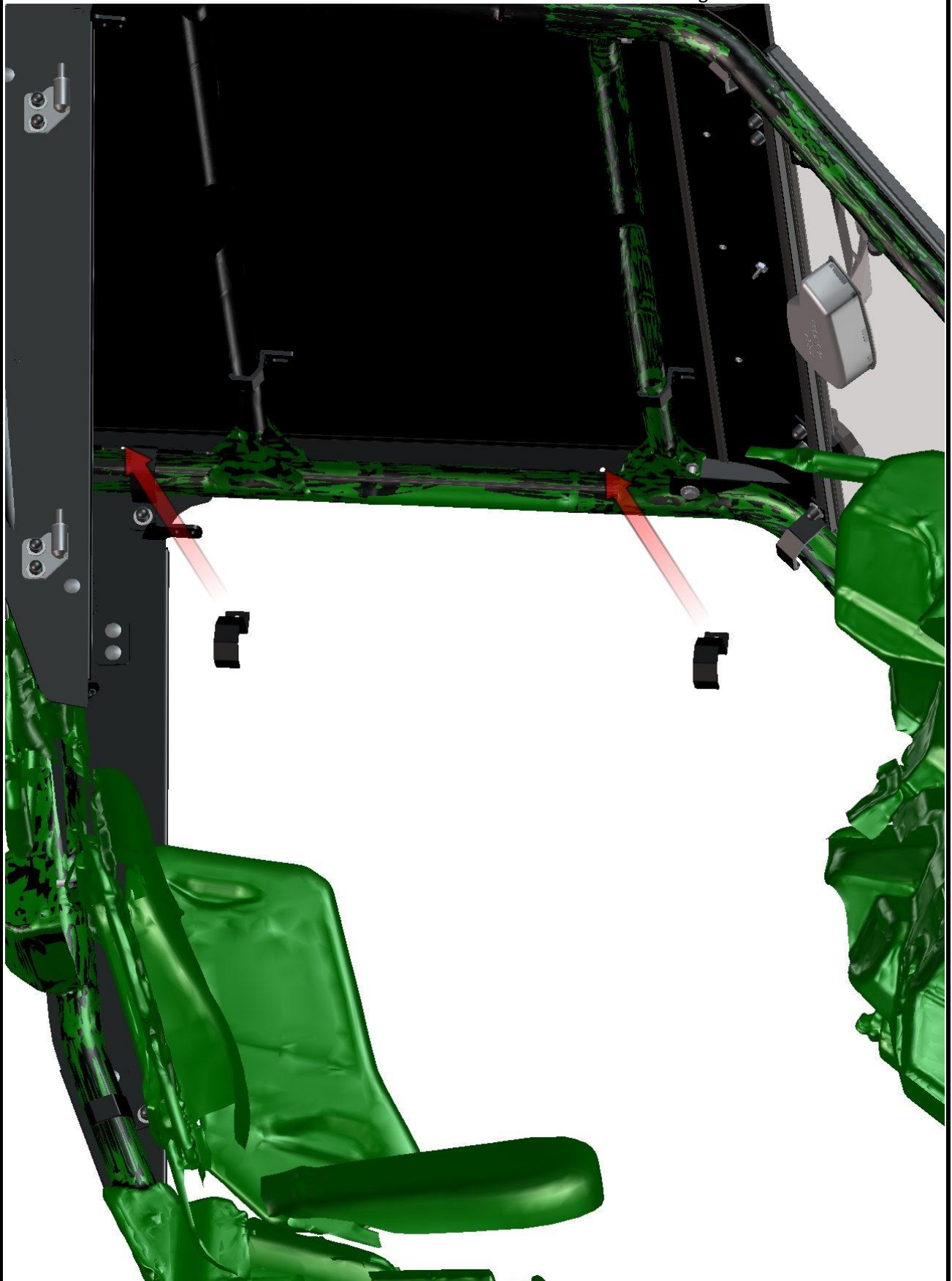


65

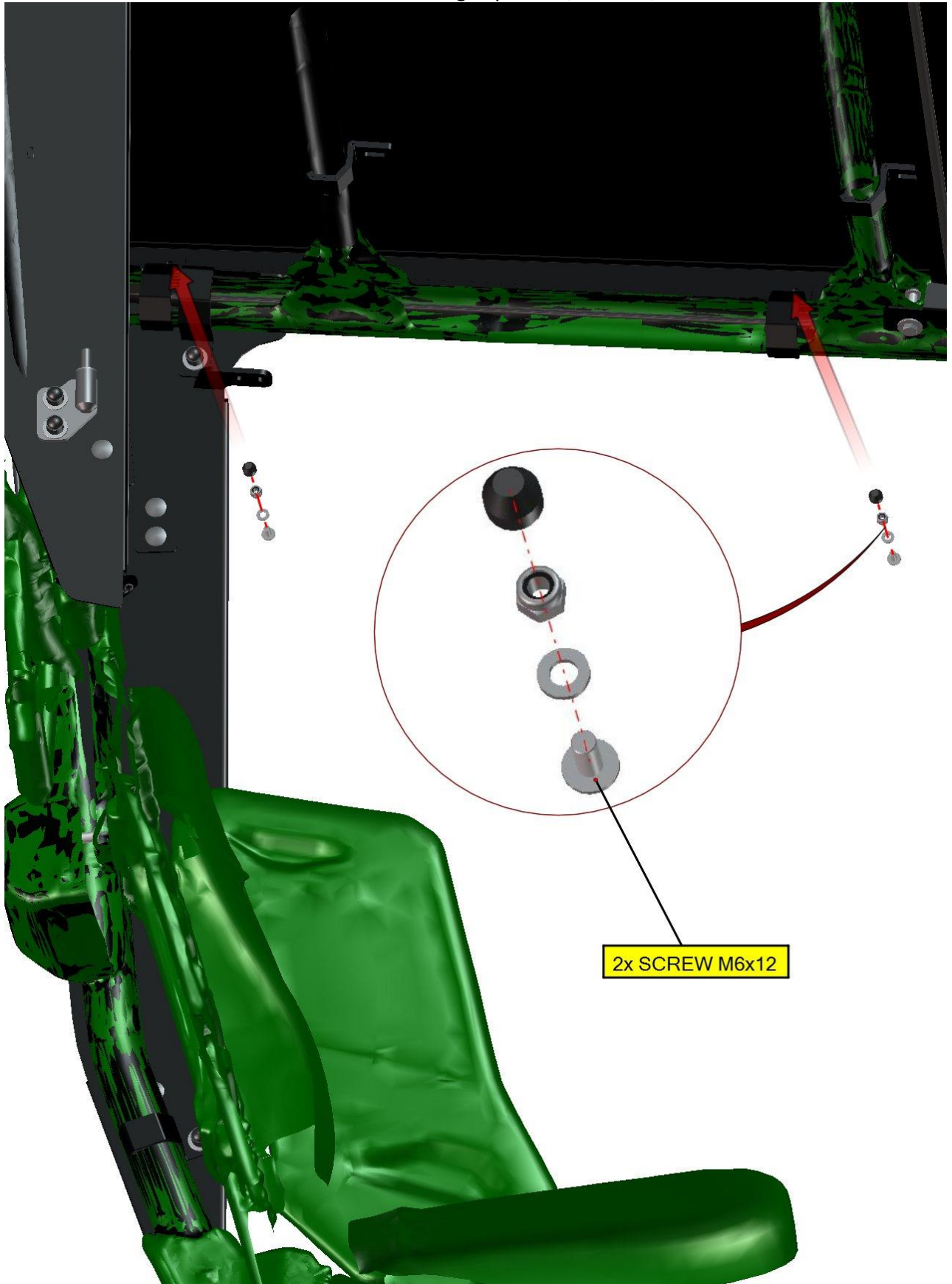
Fix the roof holders with the front roof to the roller cage by screws, washers, nuts and covers on both sides.



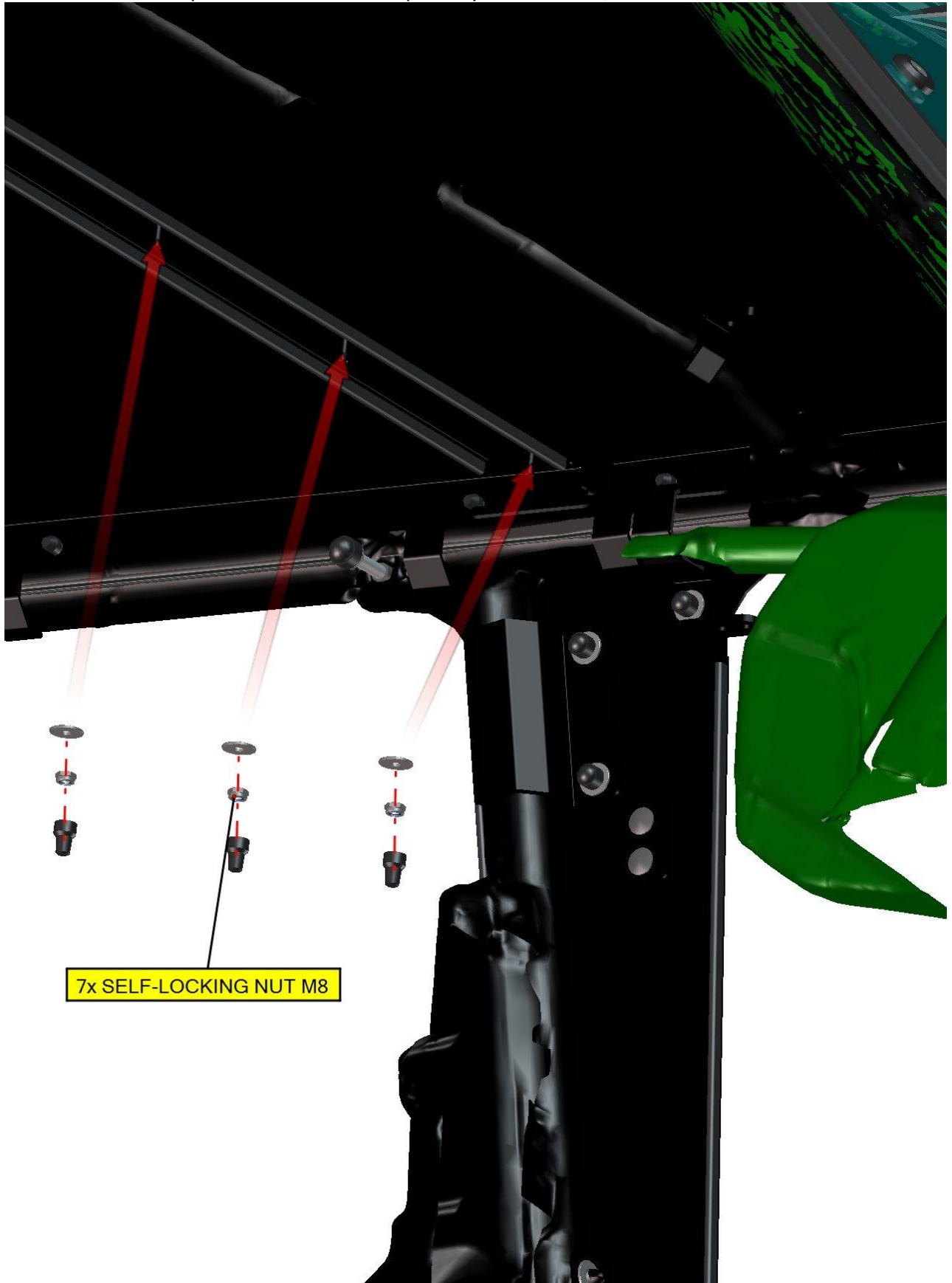
Place the roof side holders onto the front roof and onto the roller cage on both sides.



Fix the holders with the front roof to the roller cage by screws, washers, nuts and covers on both sides.

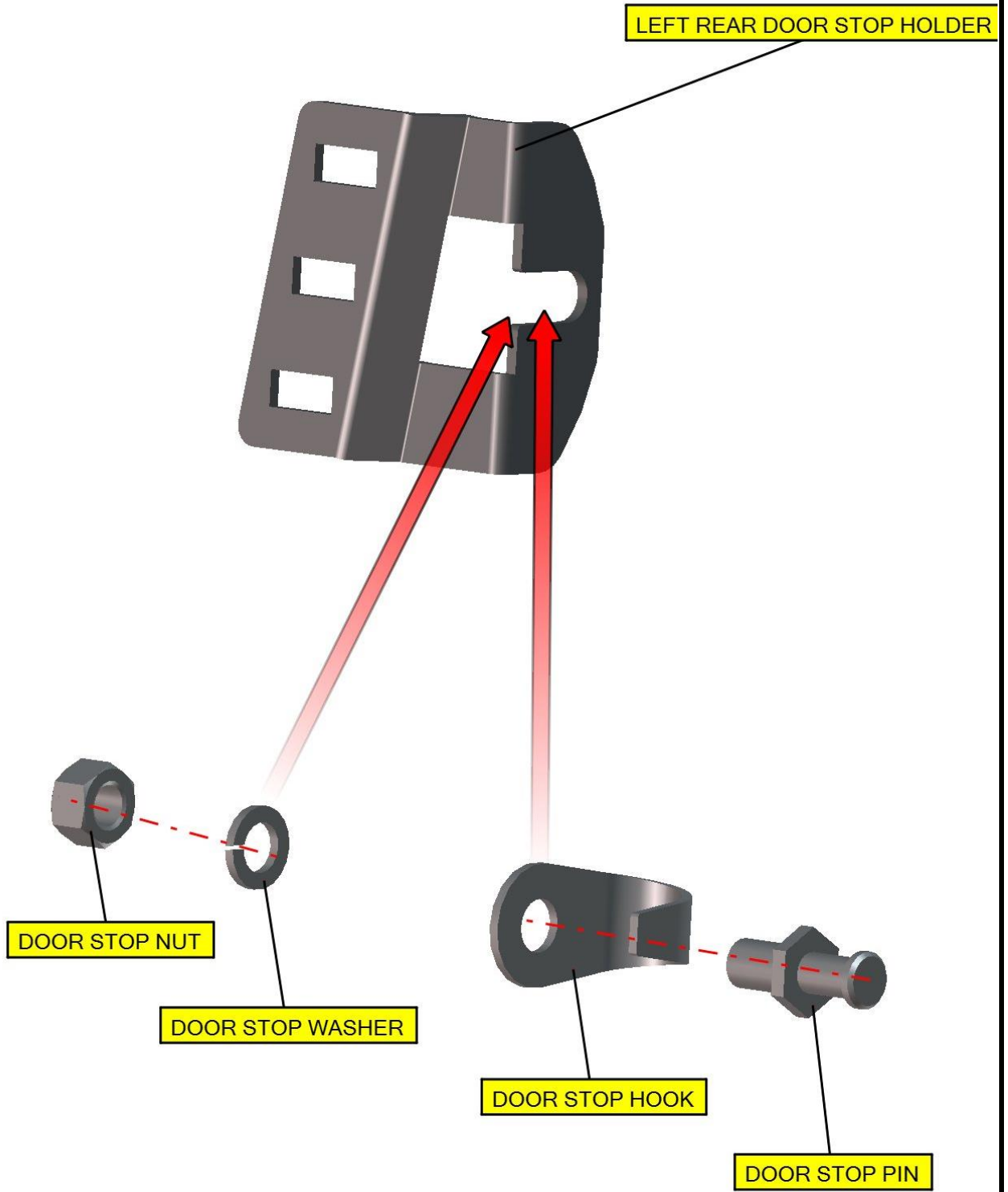


Fix the front roof panel with the rear roof panel by included nuts, washers and covers on both sides.



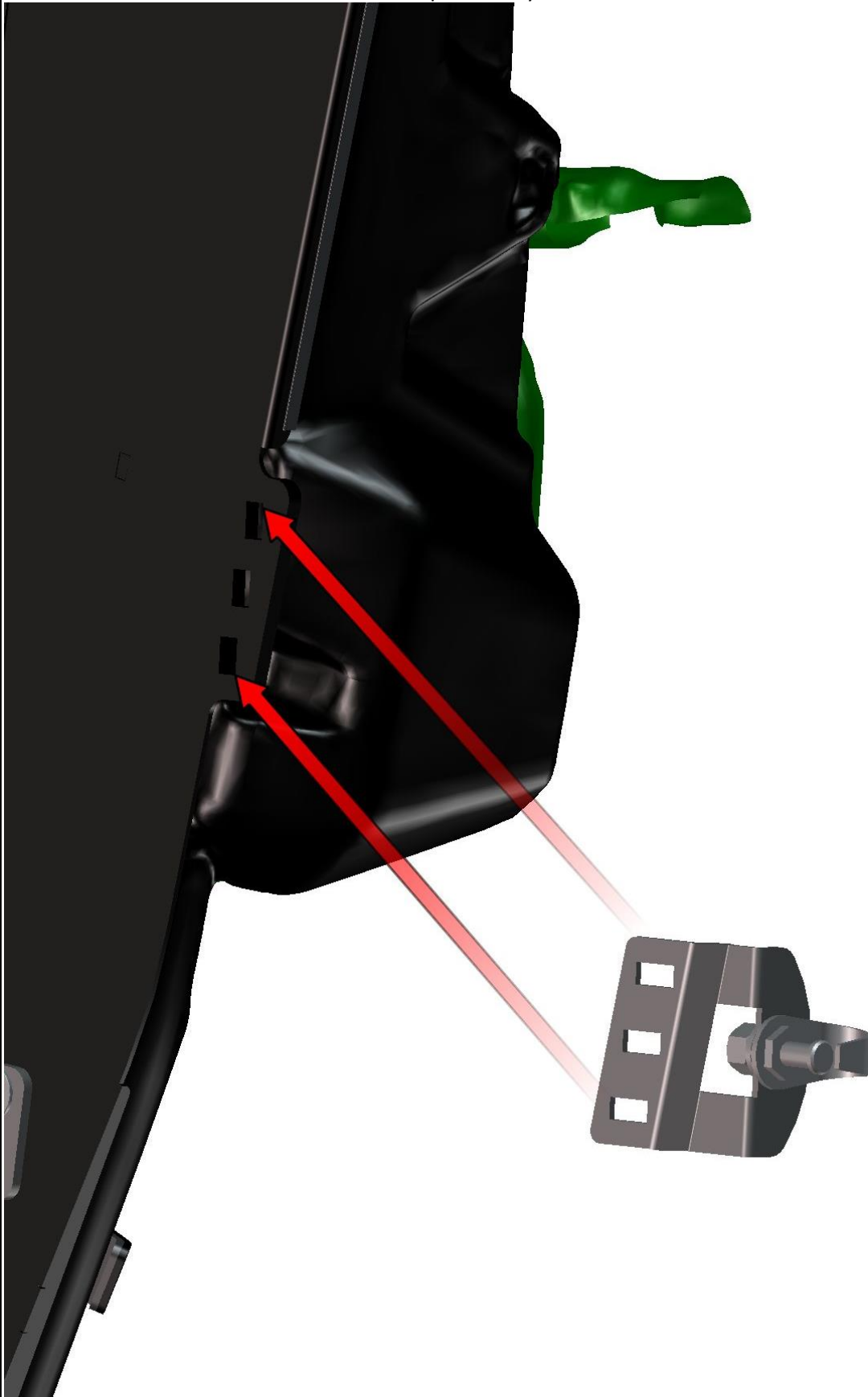
LEFT DOOR + RIGHT DOOR 2.

Install the door stop assebeily into the left rear door stop holder.

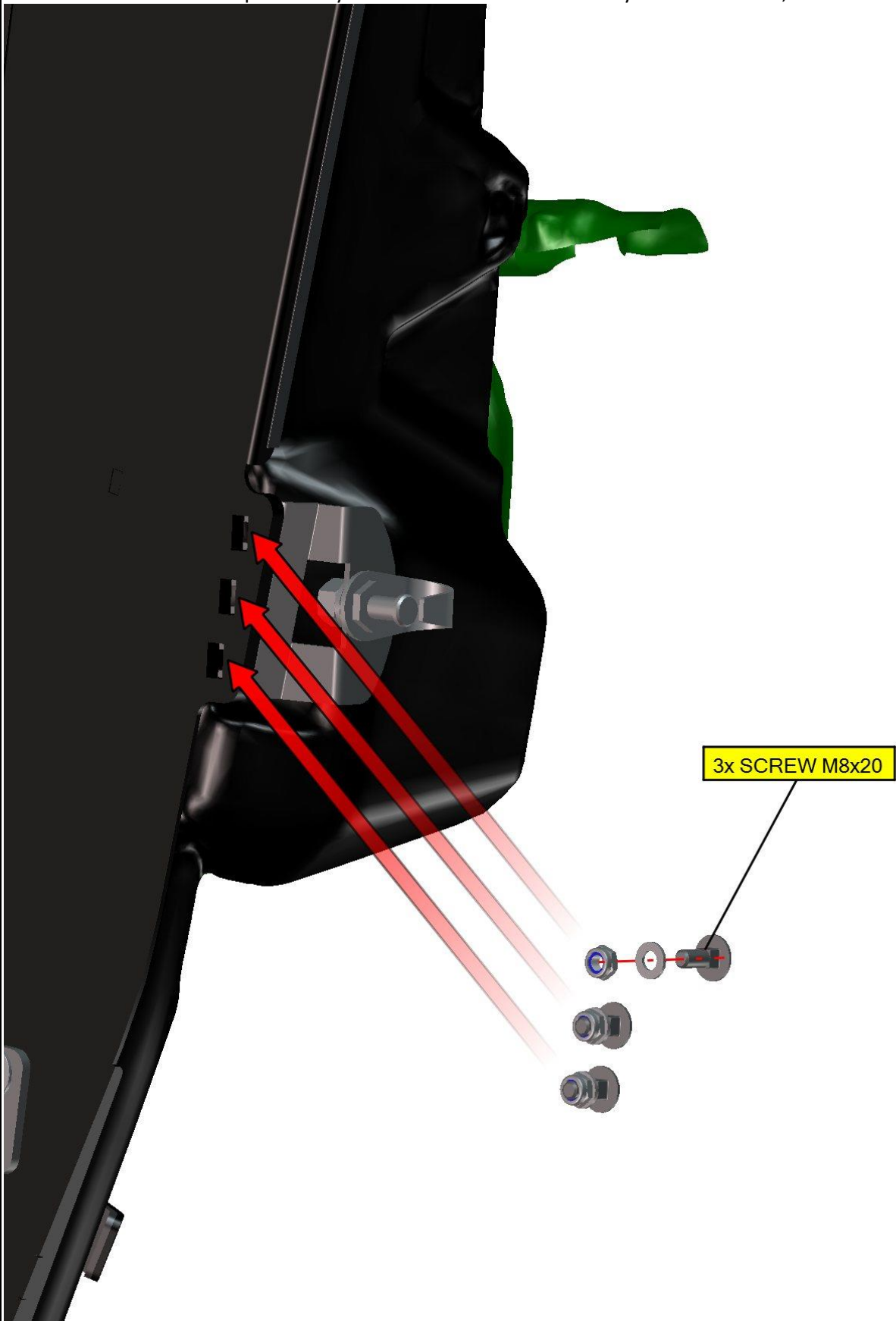


70

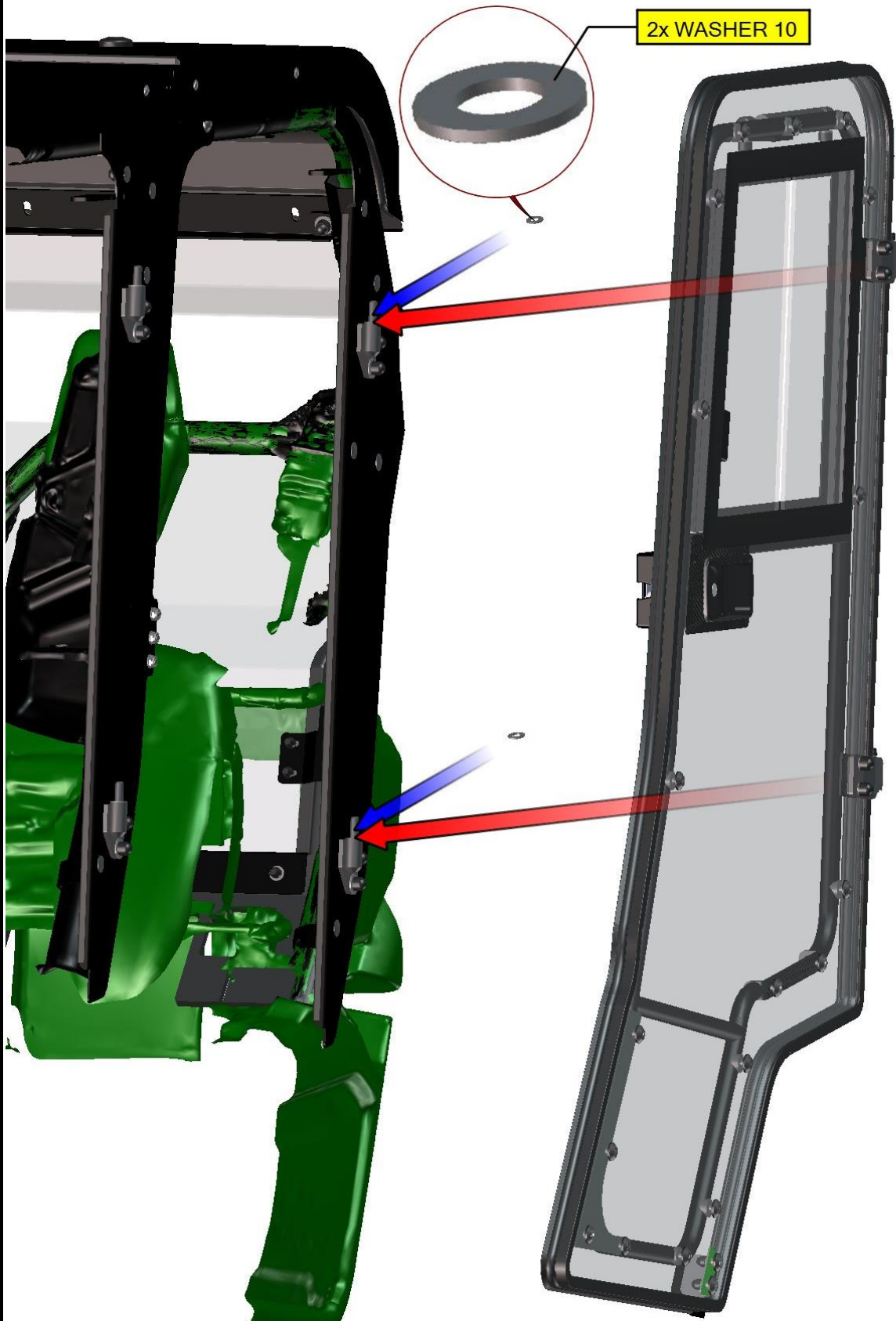
Place the left door stop assembly onto the left front door base.



Fix the left rear door stop assembly with the left front door base by included screws, washers and nuts.



Lubricate the rear hinge's pins and insert washers onto the hinge's pins.
Insert the rear door onto the rear hinge's pins.



Adjust the rear door by the rear hinges to best position and tighten hinges nuts hard.

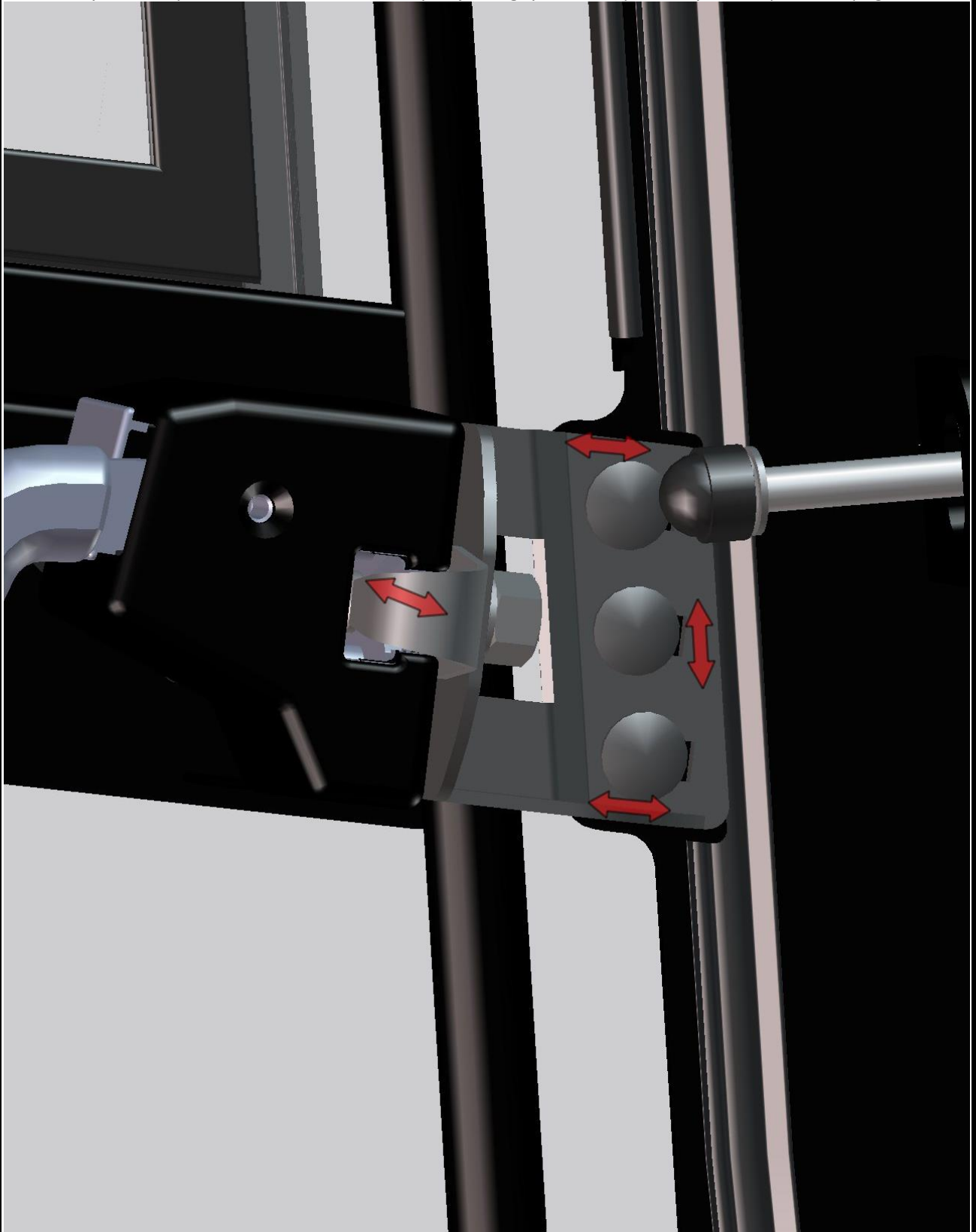


Adjust the rear door stop holder and the door stop assembly to the best position and tight nuts hard.

If you adjust the door stop correctly and close door slowly, you can hear 2! clear metallic click.

If you adjusted the door stop with 1 click only, the door lock would not be locked by key.

If you have problems with the door stop adjusting, you can repeat steps from previous page.

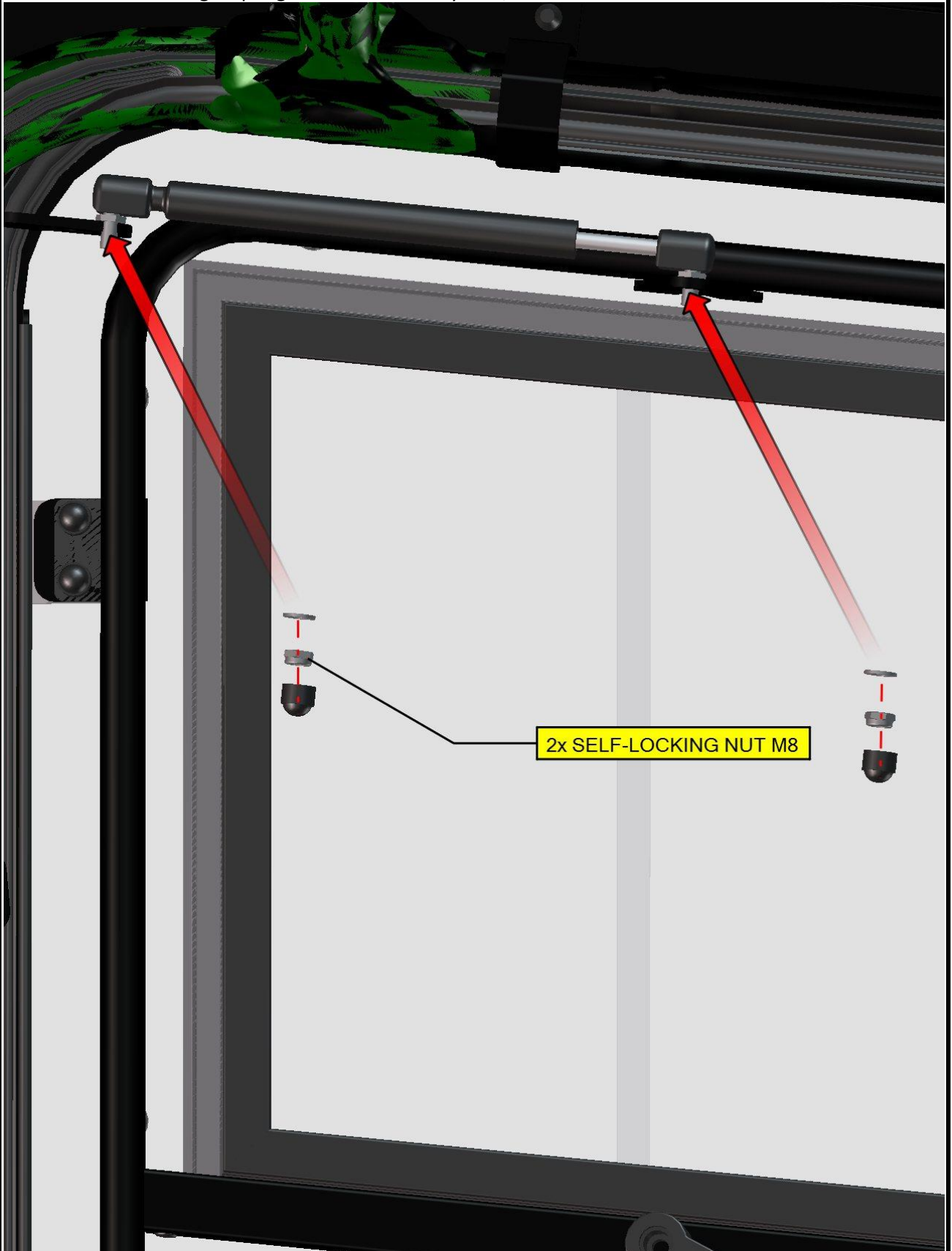


Place the gas spring into the gas spring holders.



76

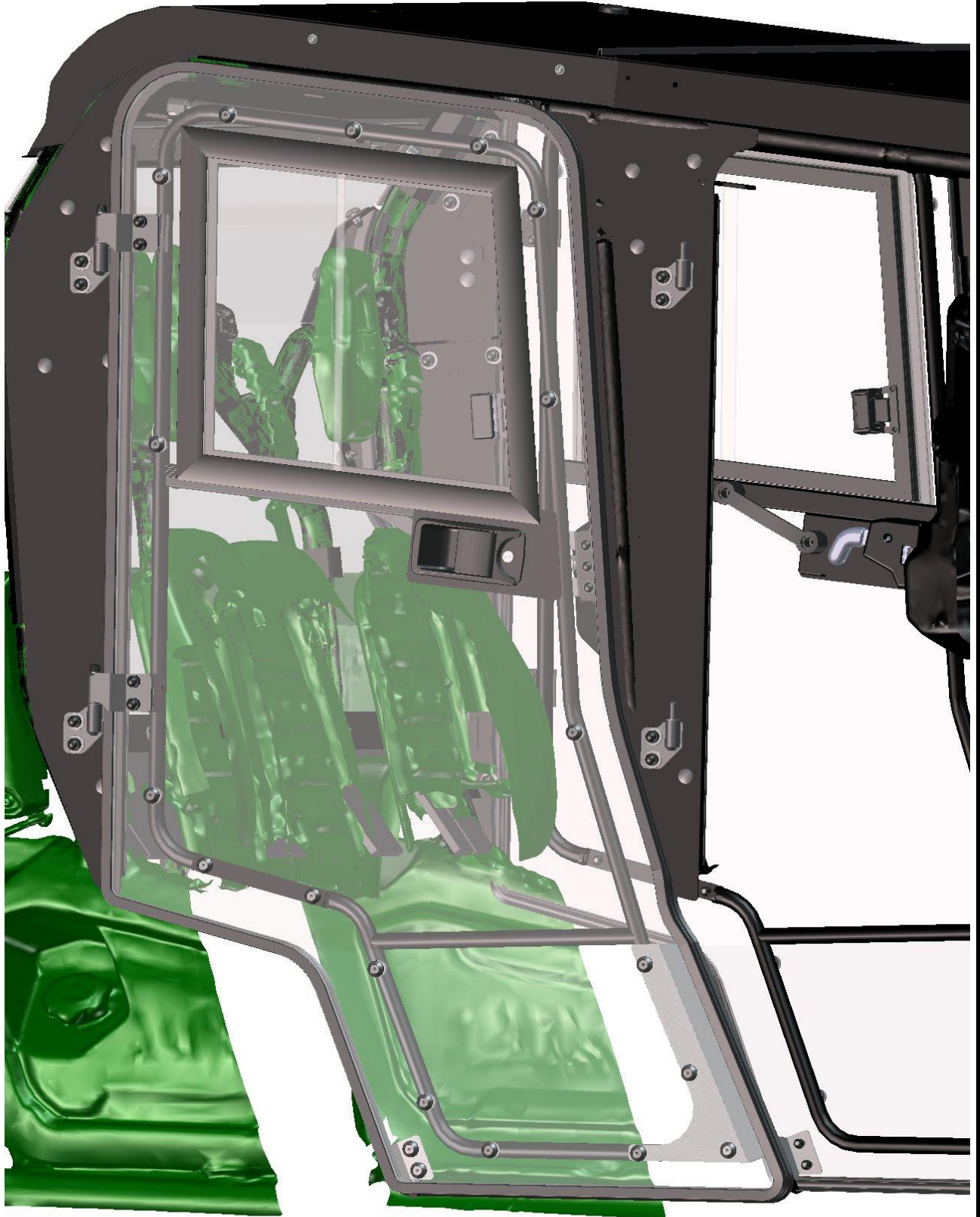
Fix the gas spring with the holders by nuts, washers and covers on both sides.



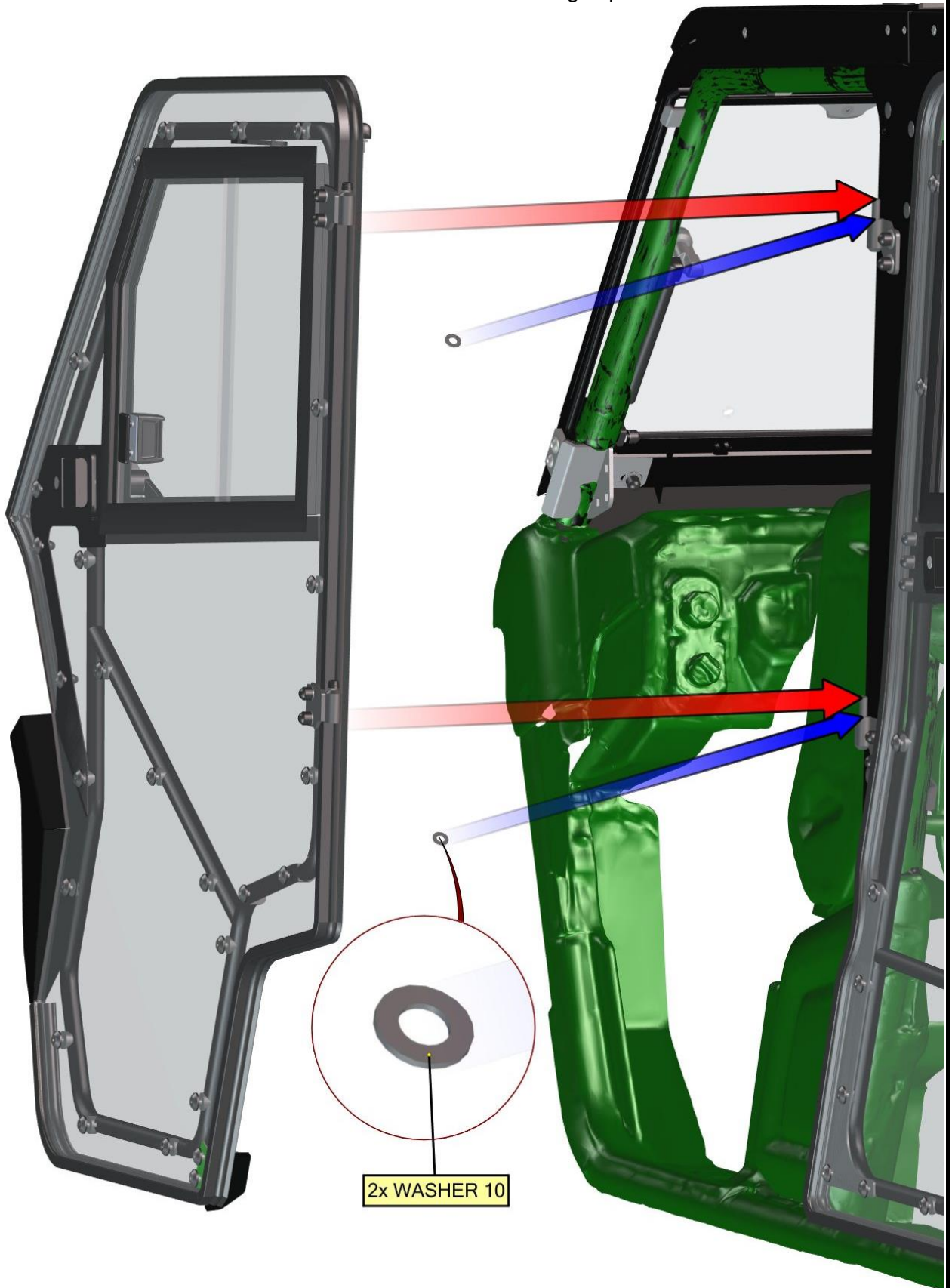
77

Stick the silicone into the gaps between door base and roller cage.

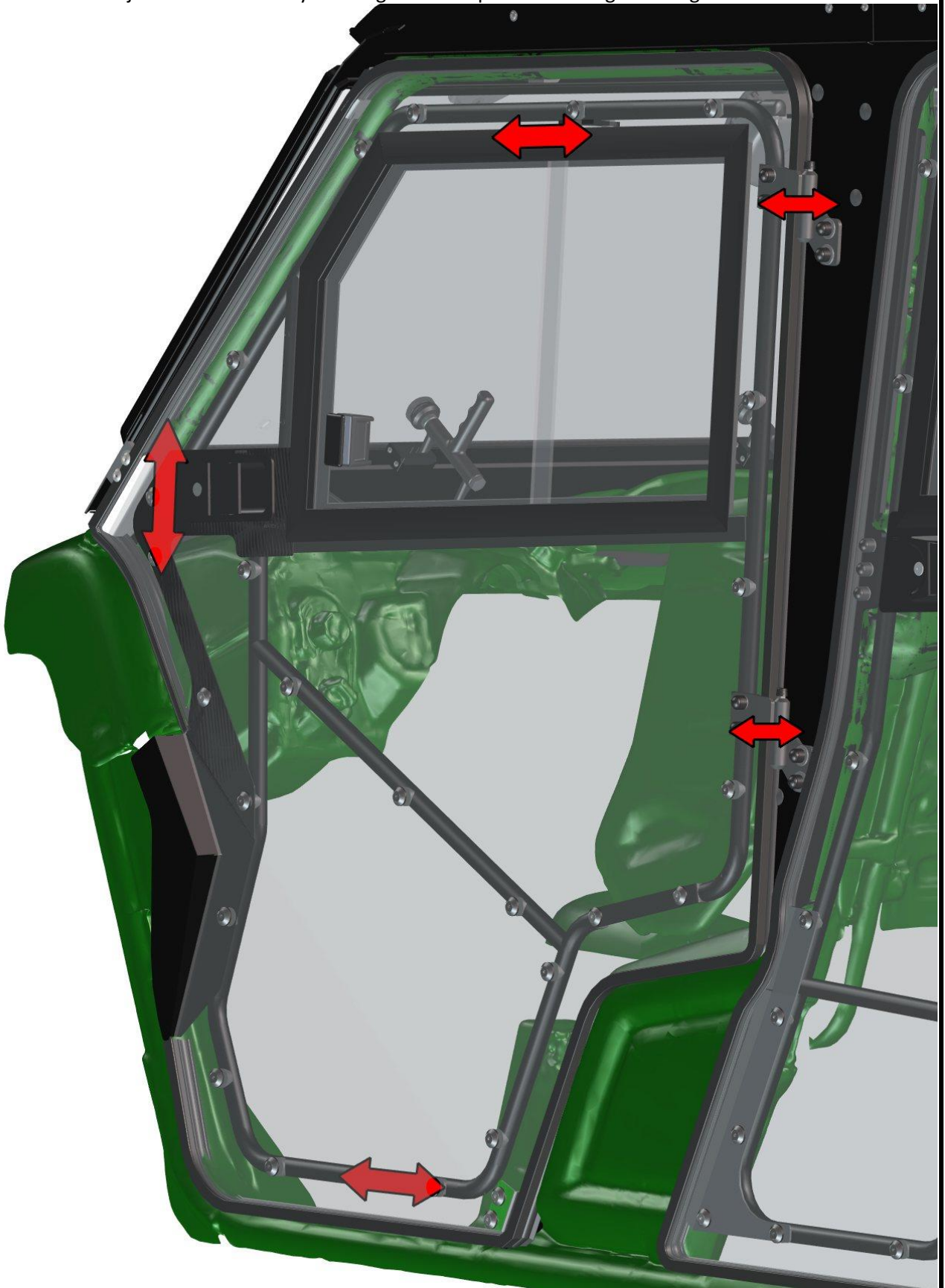
Repeat previous steps with the rear right door.



Lubricate the front hinge's pins and insert washers onto the hinge's pins.
Insert the front door onto the hinge's pins.



Adjut the front door by the hinges to best position and tighten hinges nuts hard.



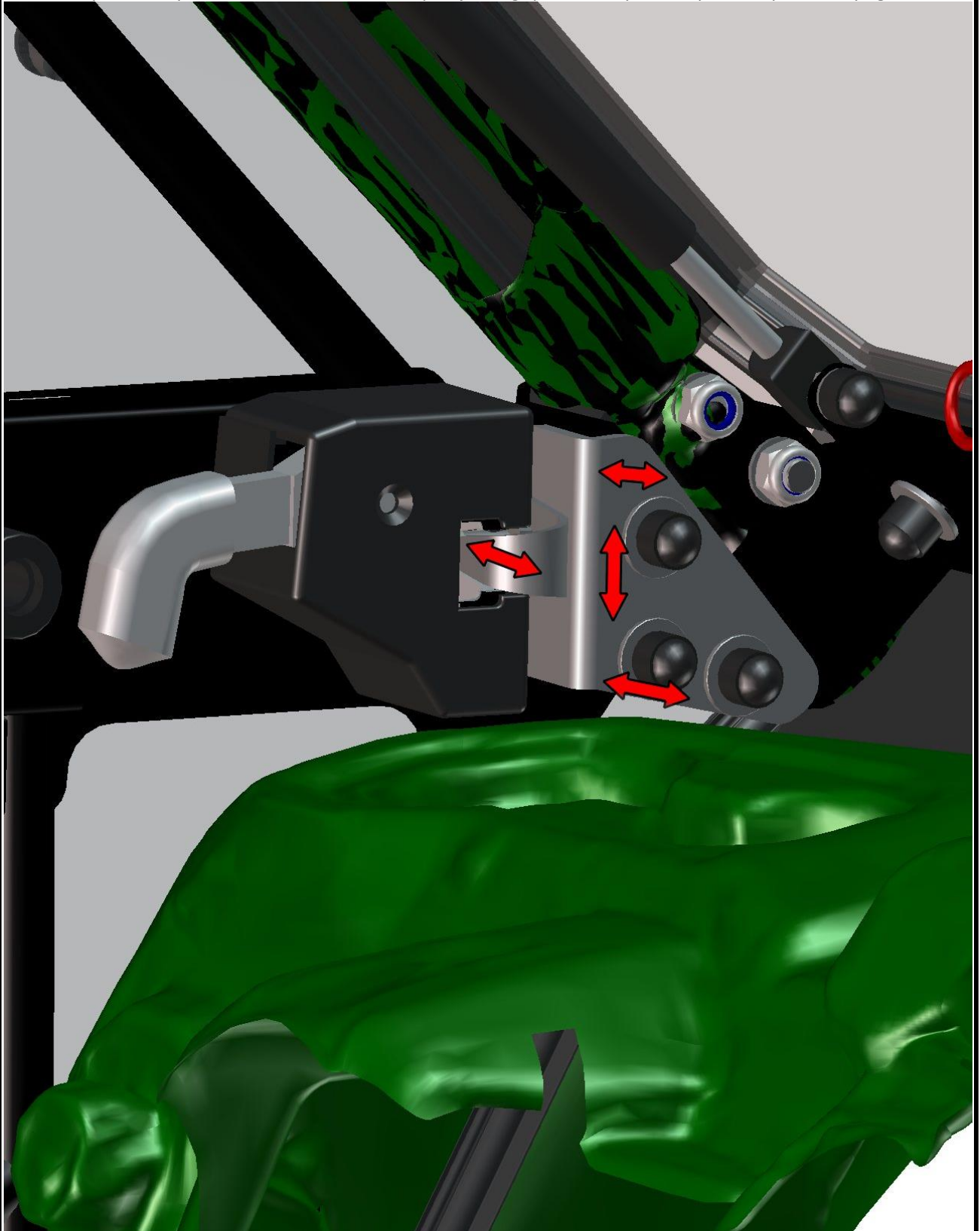
80

Adjust the front door stop holder and the door stop assembly to the best position and tight nuts hard.

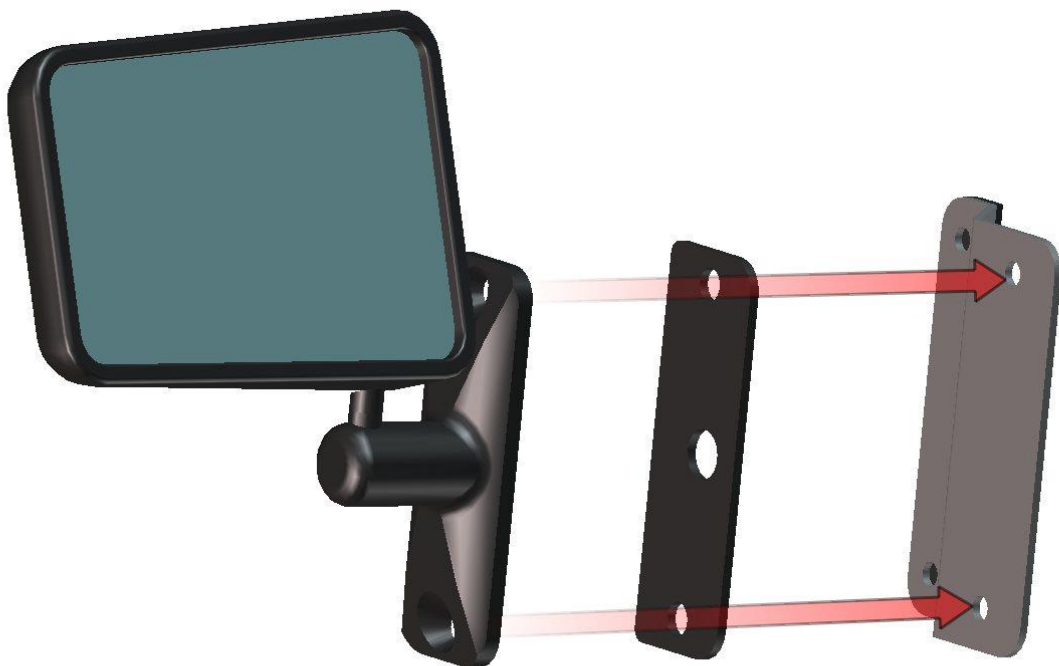
If you adjust the door stop correctly and close door slowly, you can hear 2! clear metallic click.

If you adjusted the door stop with 1 click only, the door lock would not be locked by key.

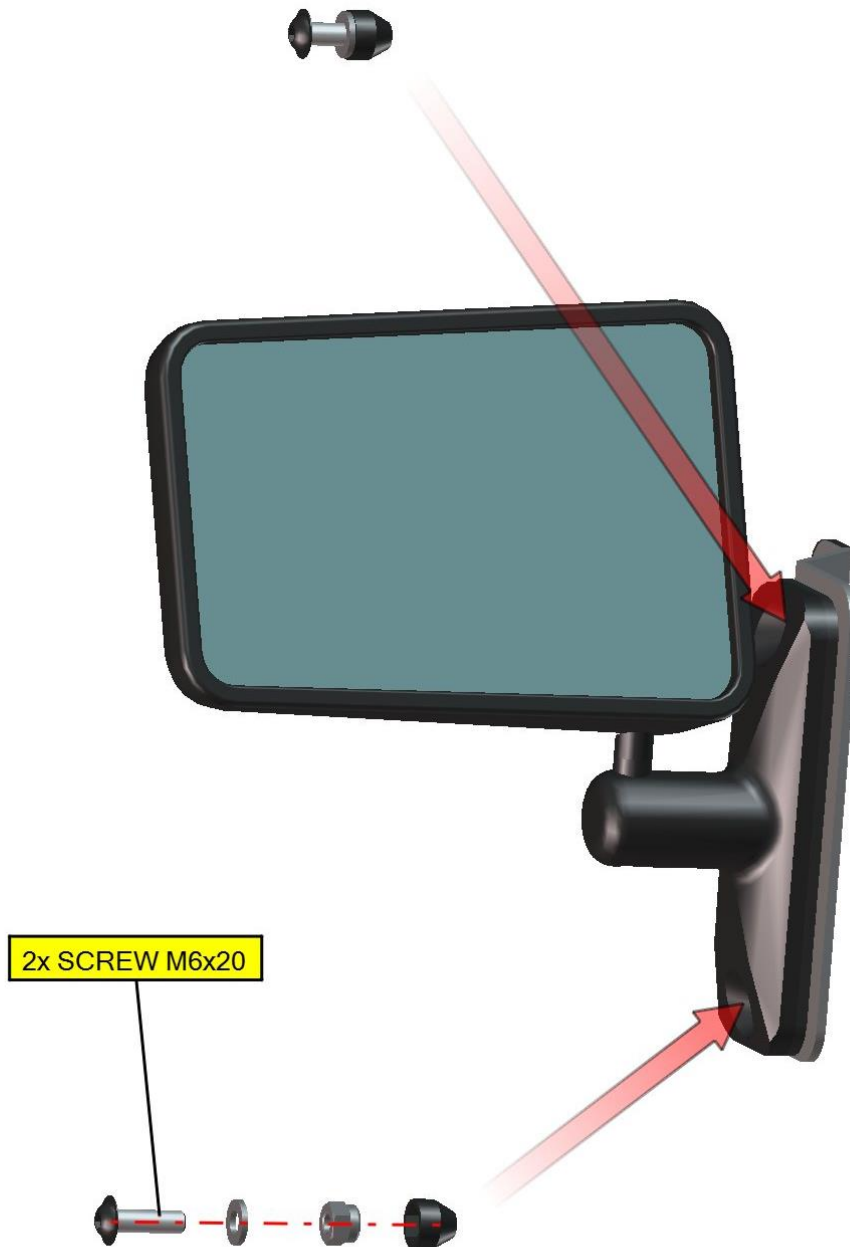
If you have problems with the door stop adjusting, you can repeat steps from previous page.



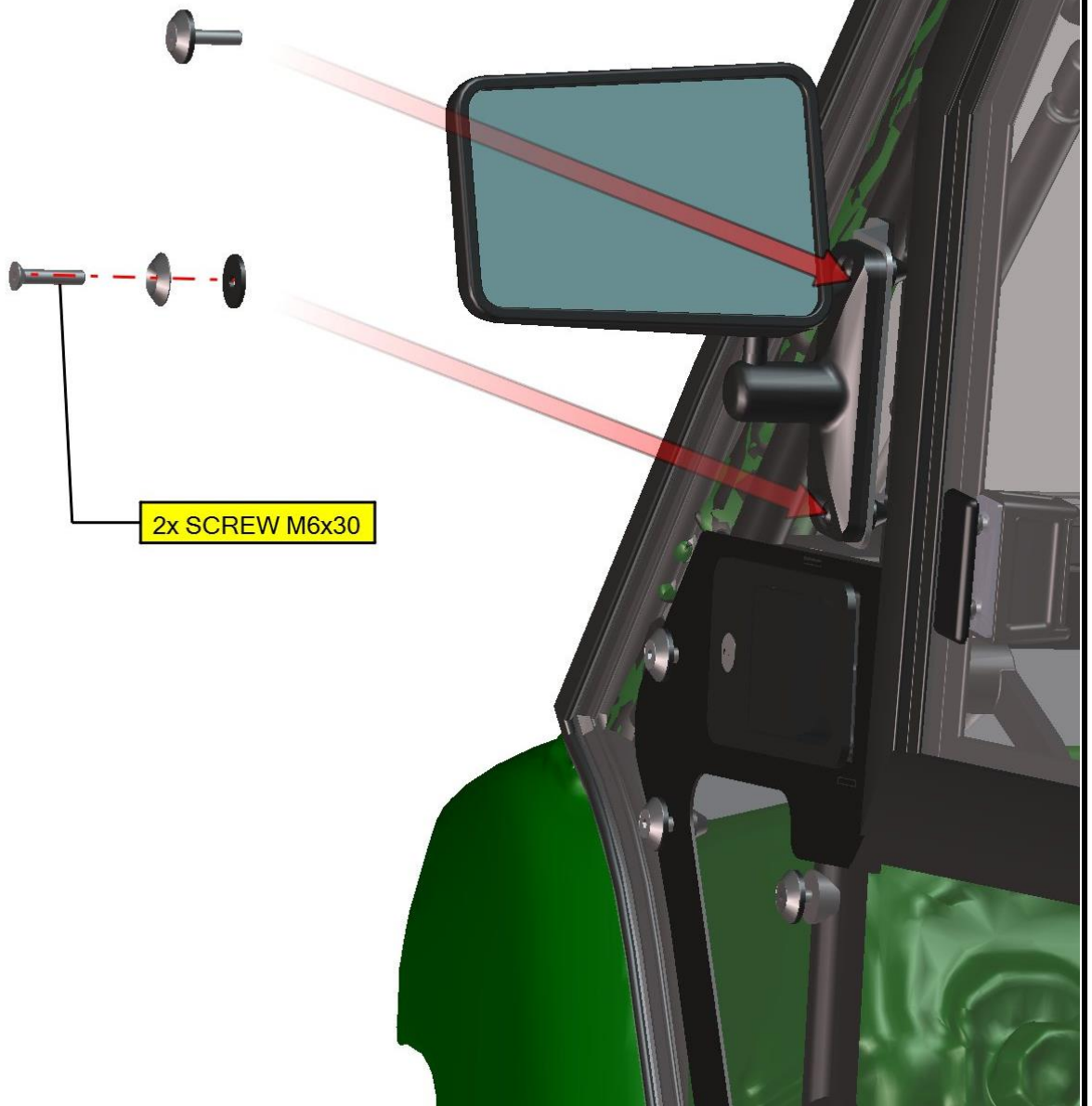
Place the left mirror onto the mirror holder.



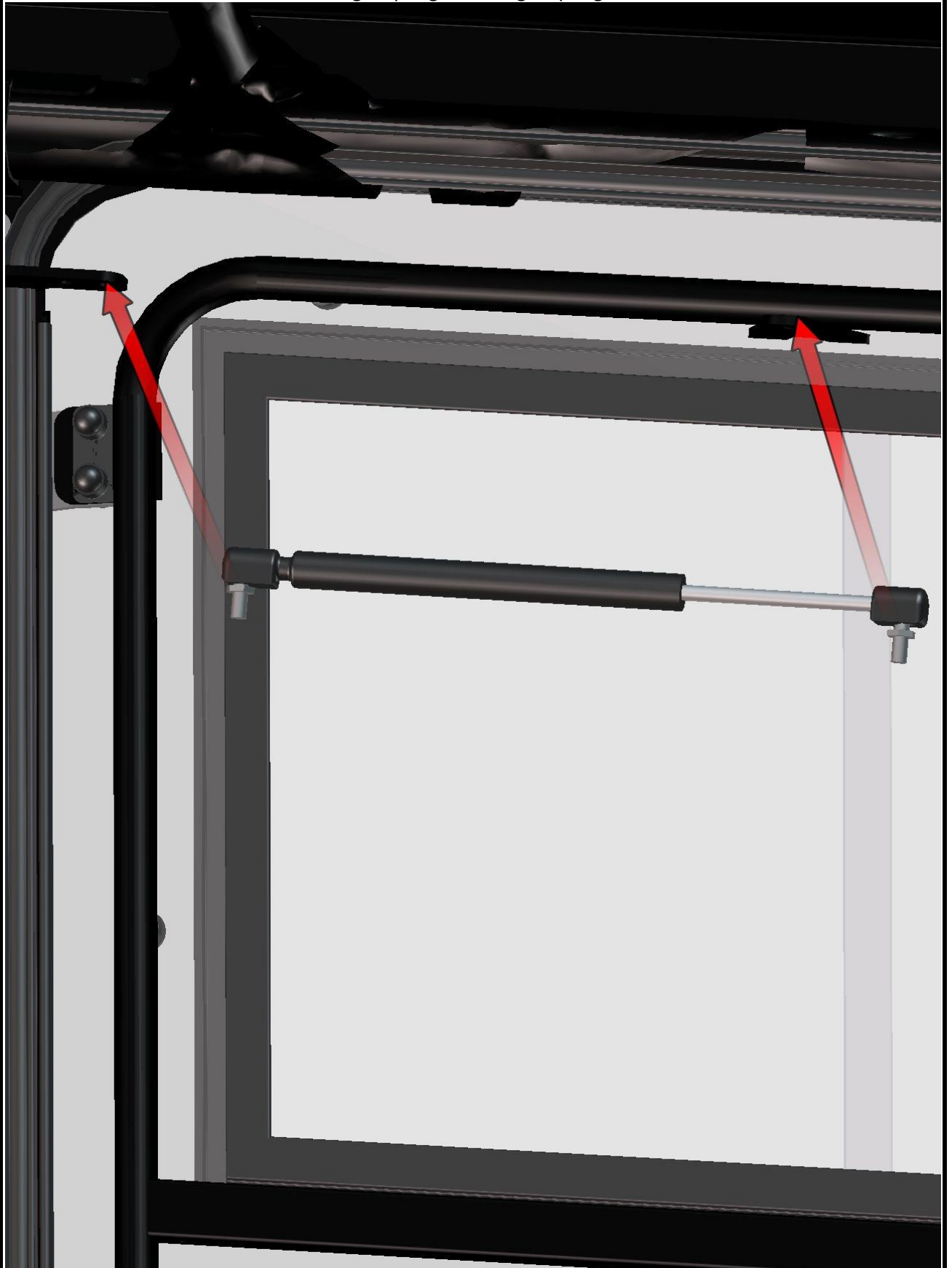
Fix the mirror with the holder by screws, washers, nuts and covers.



Uninstall screws and washers from the left door. Place the left mirror assembly onto the left door panel.
Fix the holder with the left door by screws and washer.

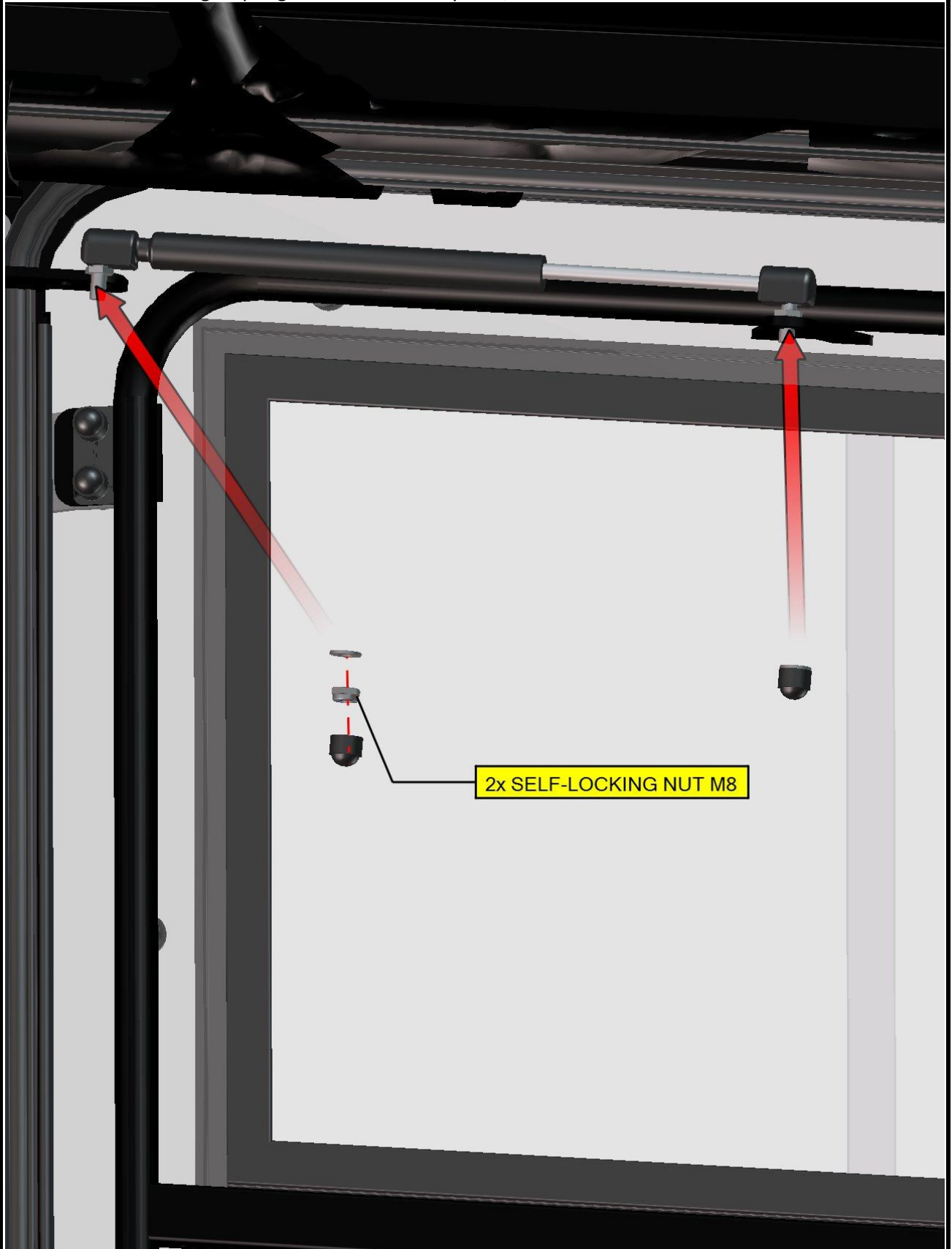


Place the gas spring into the gas spring holders.



85

Fix the gas spring with the holders by nuts, washers and covers on both sides.



Stick the silicone into the gaps between door base and roller cage.

Repeat previous steps with the right door.



87

ELECTROINSTALLATION WIPER/WASHER

Accessories for mounting the washer tank.

Washer harness



Wiper harness



Washer tube



Wiper/washer switch



Uninstall the front dashboard cover from the dashboard. Save cover with hardware for later usage.



You can install the washer tank into the engine cooler space in front dashboard.



Install the washer tank holder onto the engine cooler holder by screw, washers and nut,



Insert the washer tank onto the holder.



Lead the harness from the cooler to the front dashboard space. You may need loose original fixing hardware from dashboard and pick dashboard up..



91

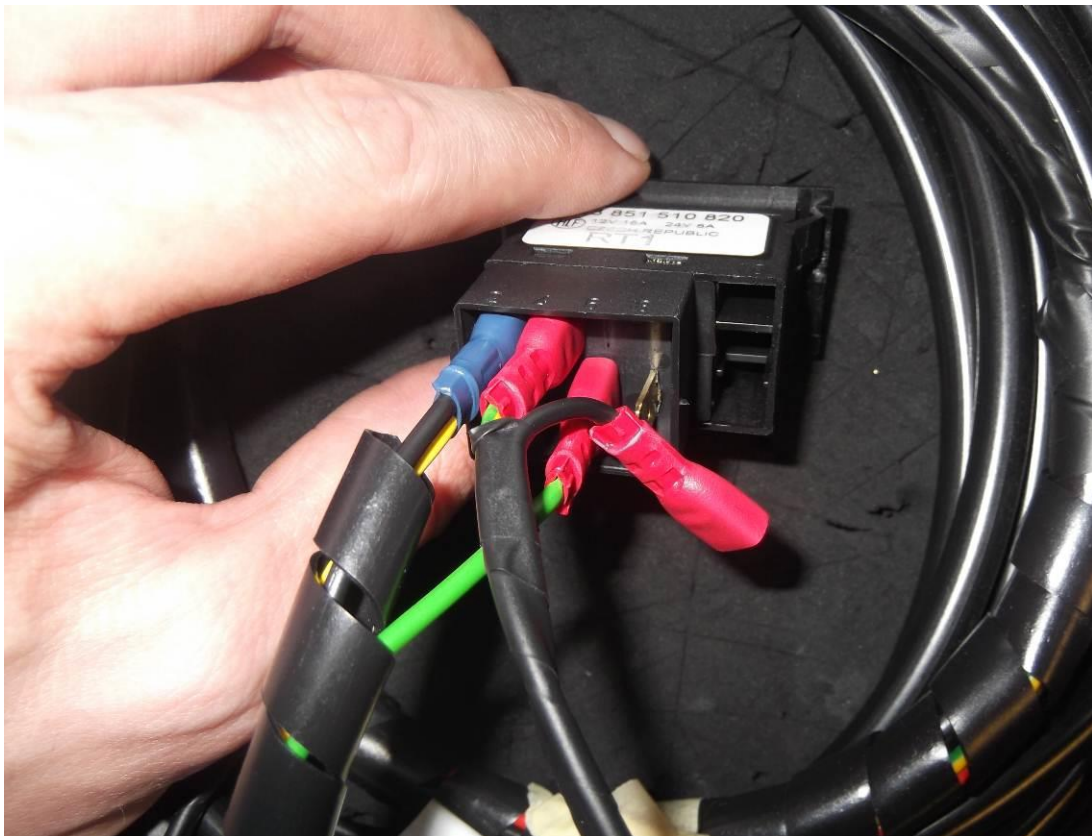
Cut the rectangle hole with mesures 22,1x44,1mm for switch into the dashboard near the original switch.



Insert wiper harness into the dashboard and lead both harness no.:1 to the switch hole.



Stretch the harness branches through the cuted hole and connect the branches with the switch.
DETAIL VIEW



Drill hole \varnothing 25mm (1in) into the dashboard near the right roller cage.

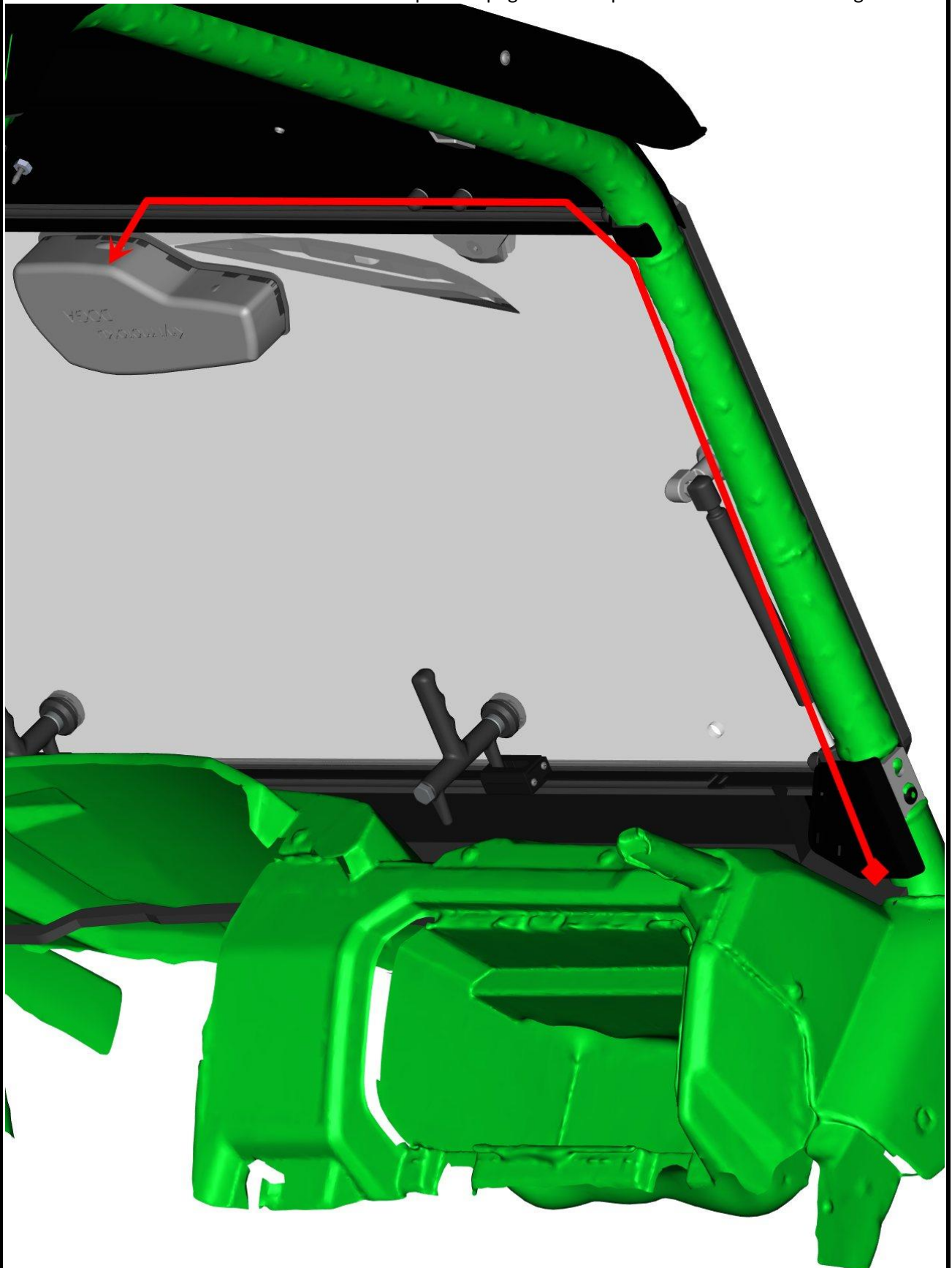


Stretch the harness branch no.: 3 and washer hose through the hole from previous step.
Lead the harness and washer hose near the front right roller cage.

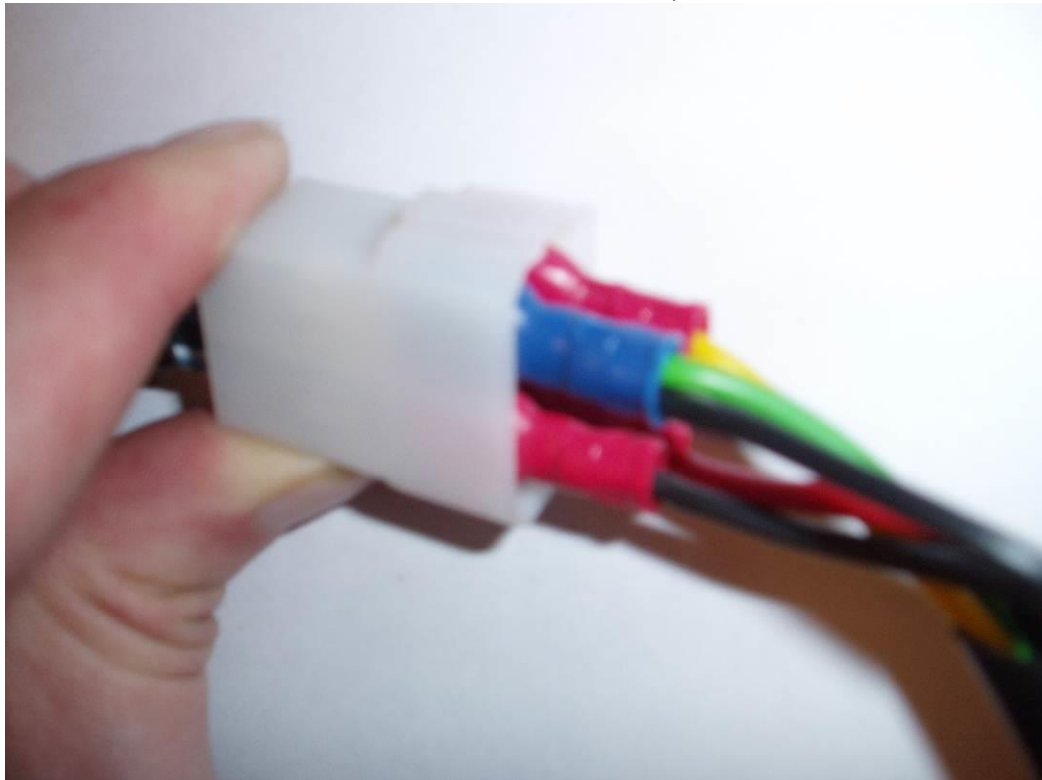


SEE NEXT PAGE

Run the harness and washer hose from previous page to the wiper motor near the roller cage.



Uninstall the wiper motor cover from the wiper motor and save for later usage.
Connect the harness branch no.: 3 with the wiper motor connector.

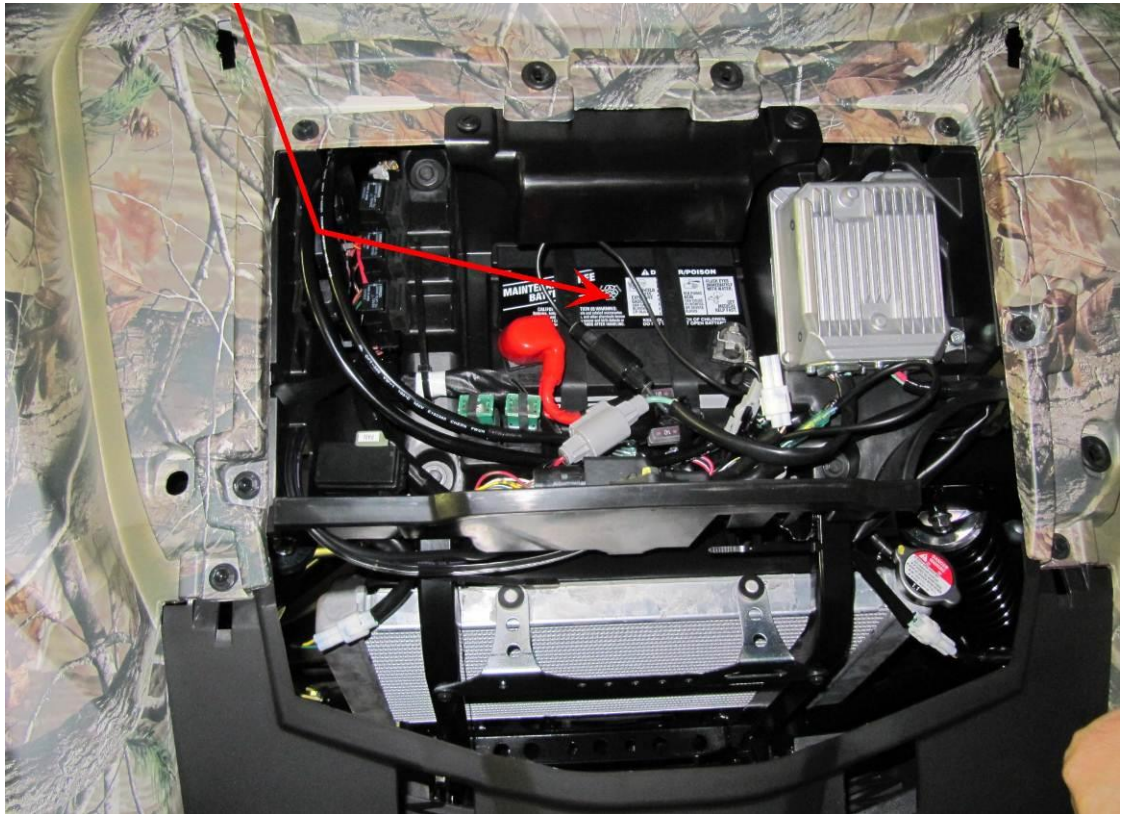


Install the wiper motor cover back to position.

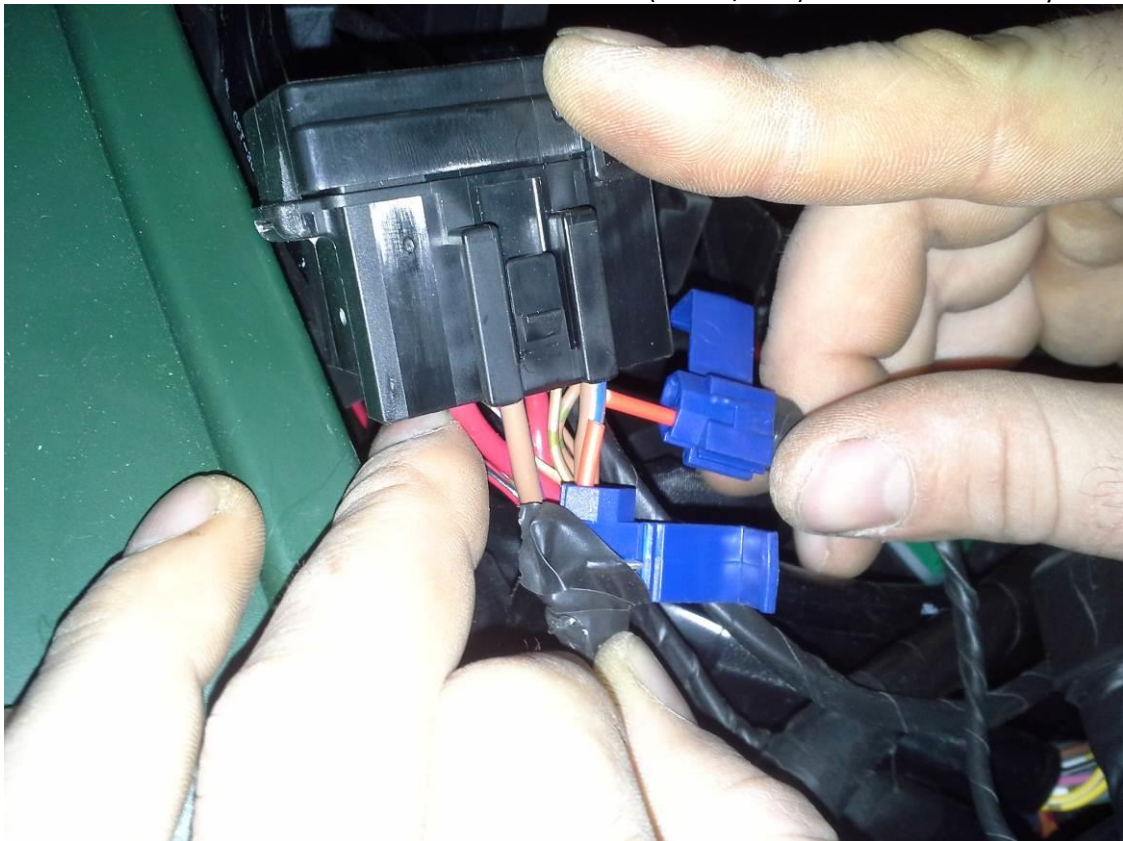
Connect the washer hose by the washer tube with the wiper arm washer hose.



Run the harness branches no.:2 to the main UTV's electroinstallation.



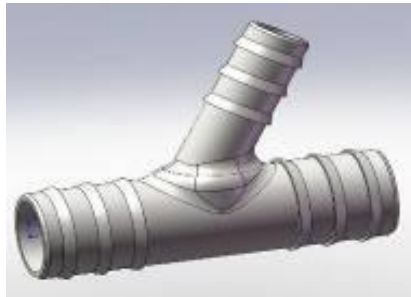
Connect the branches with the UTV's fuse box wire (brown/blue) and with the battery "-"



ELECTROINSTALLATION HEATER

Parts needed (included)

"Y" coupling



heater hose



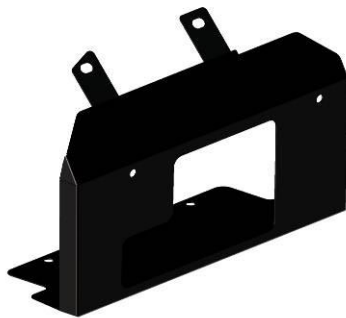
Tightening straps



heater assembly



Heater holder



air vent



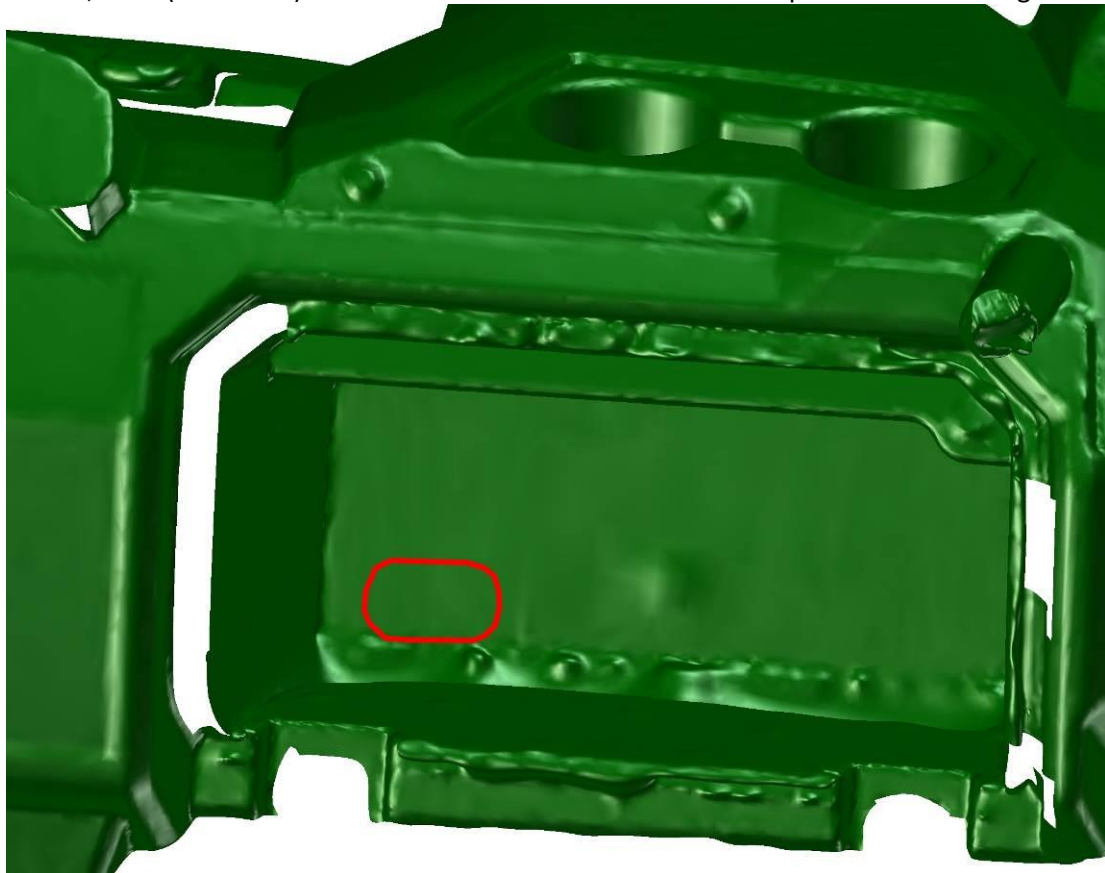
The heater assembly is designed for installation into the glovebox.



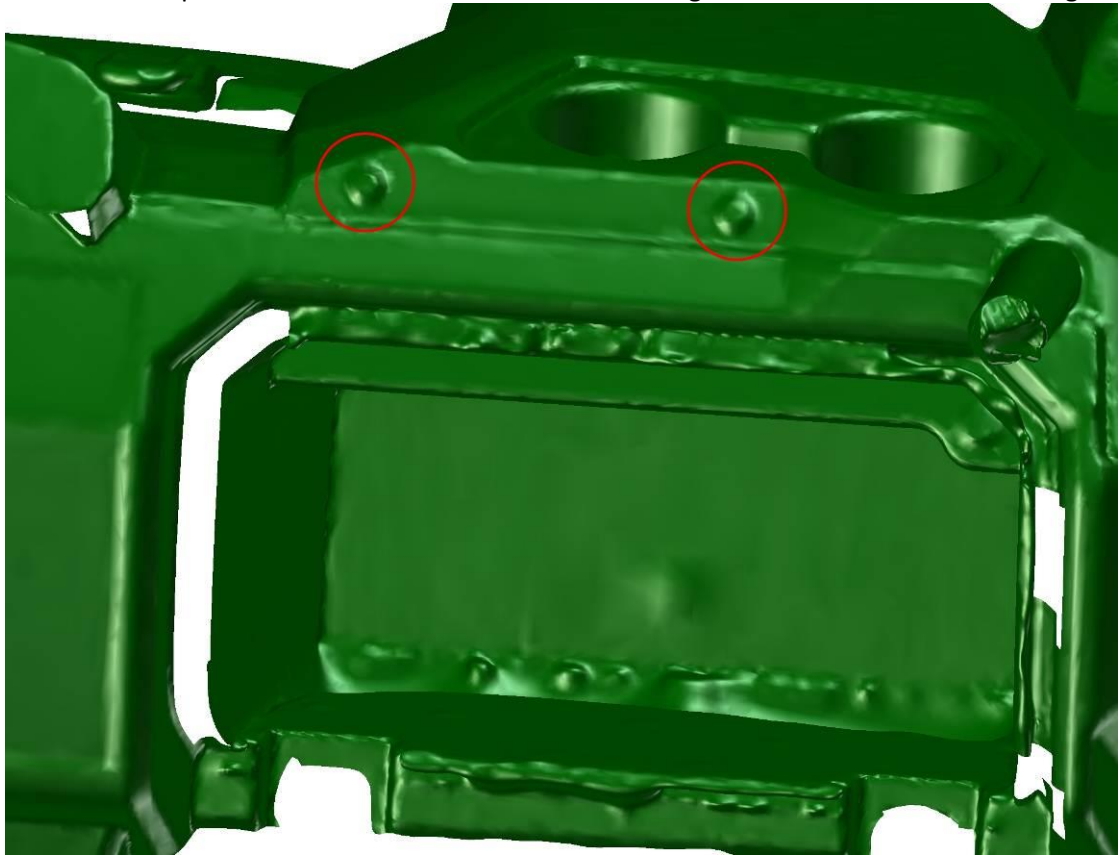
Uninstall the glovebox door from the glove box and save that carefully.



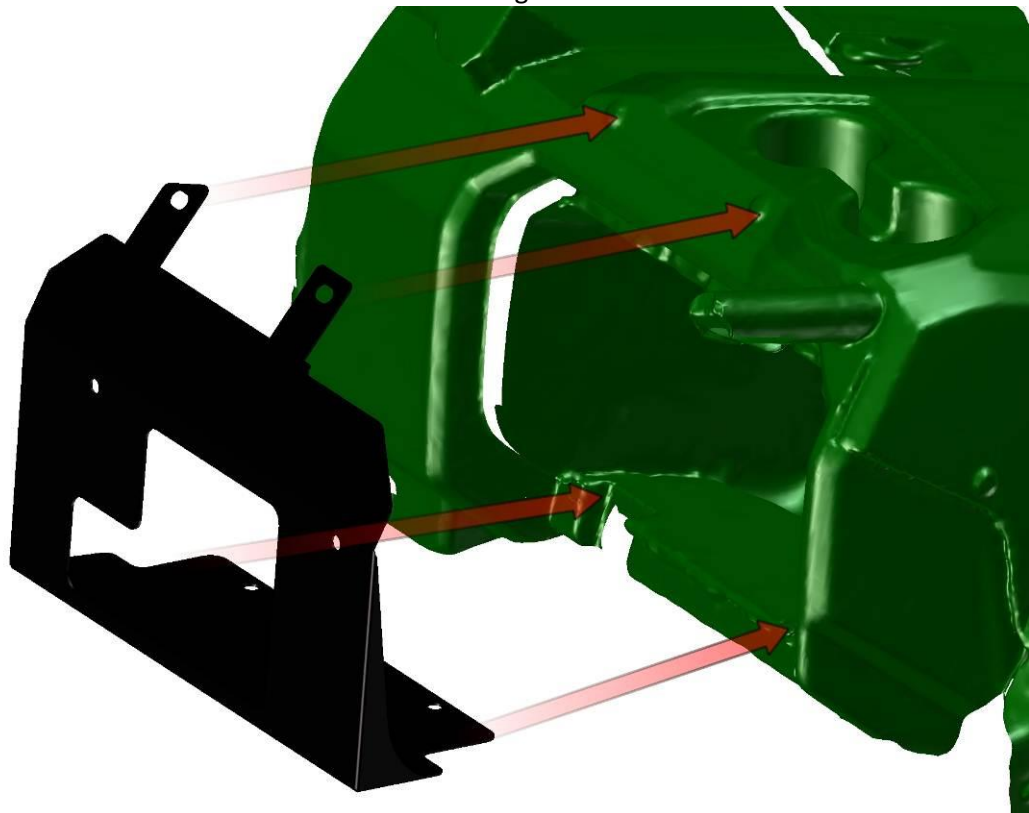
Cut the hole 2,3x1in (60x25mm) with radius corners into the left bottom part of the vertical glove box wall.



Uninstall the plastic rivets from the dashboard over the glove box and save for later usage.



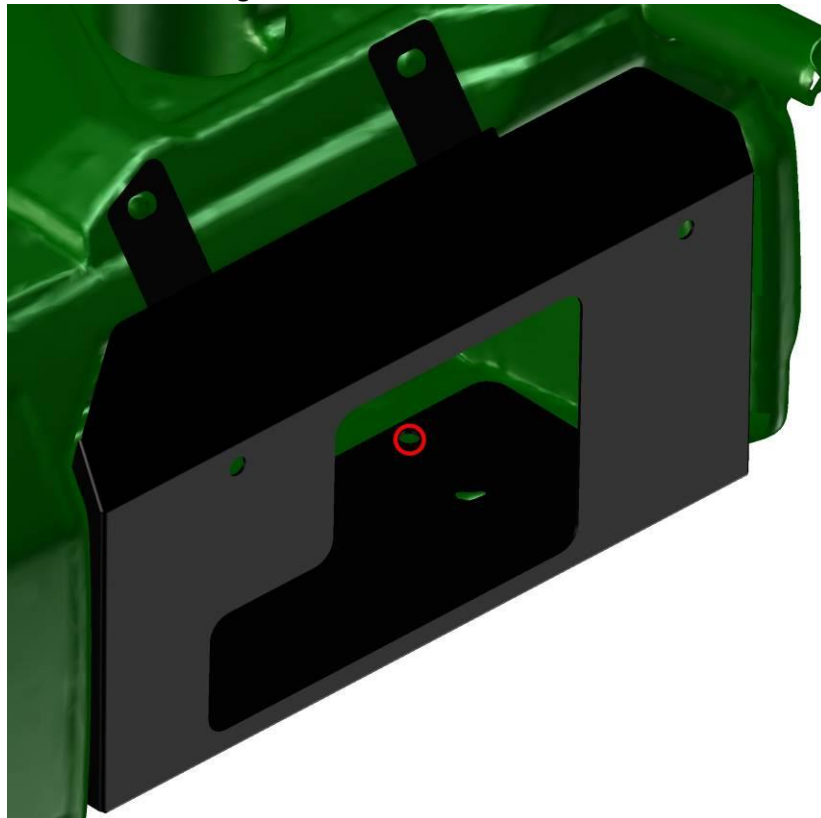
Place the heater holder onto the glove box and dashboard.



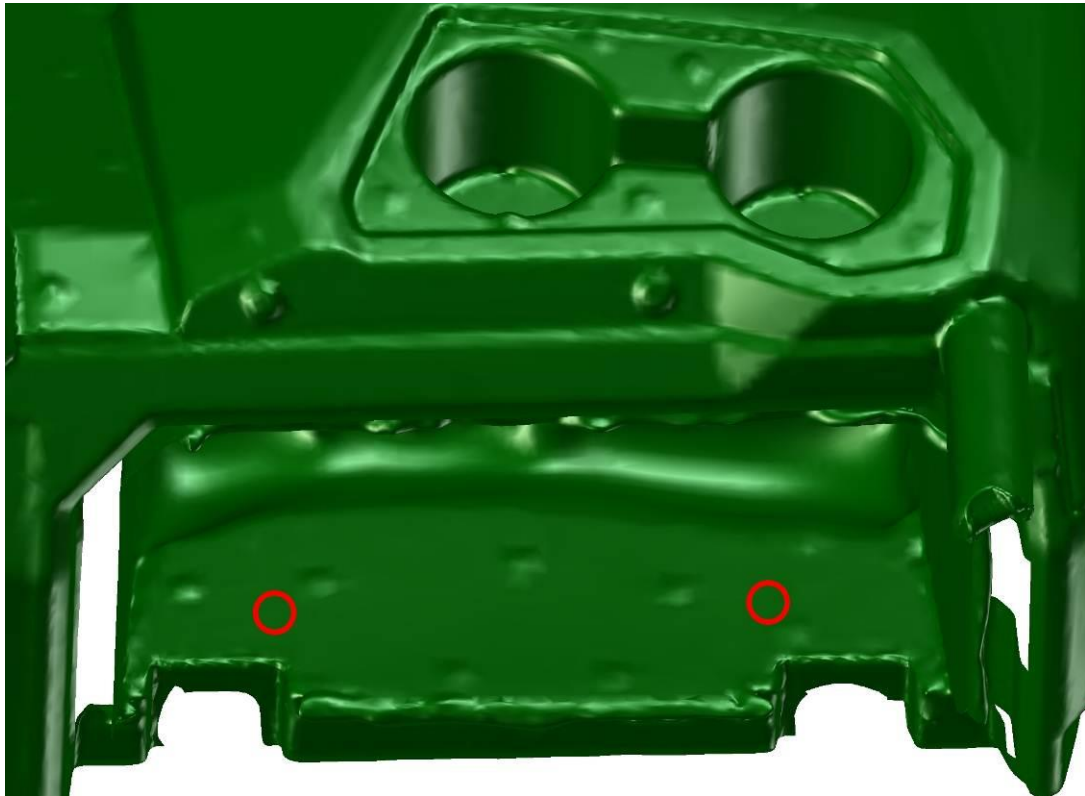
Adjust the holder to correct position. Make mark onto the glove box floor in accordance with the holder's hole.



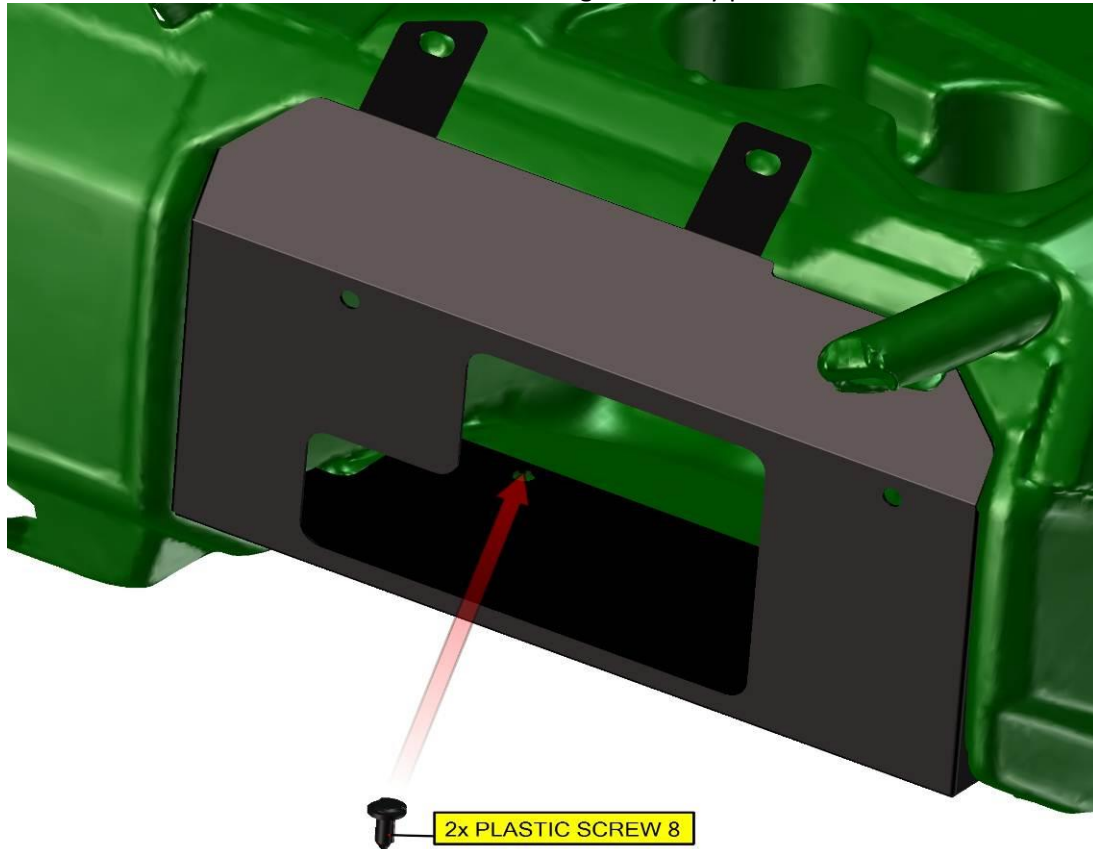
Make mark onto the glove box floor in accordance with the holder's hole.



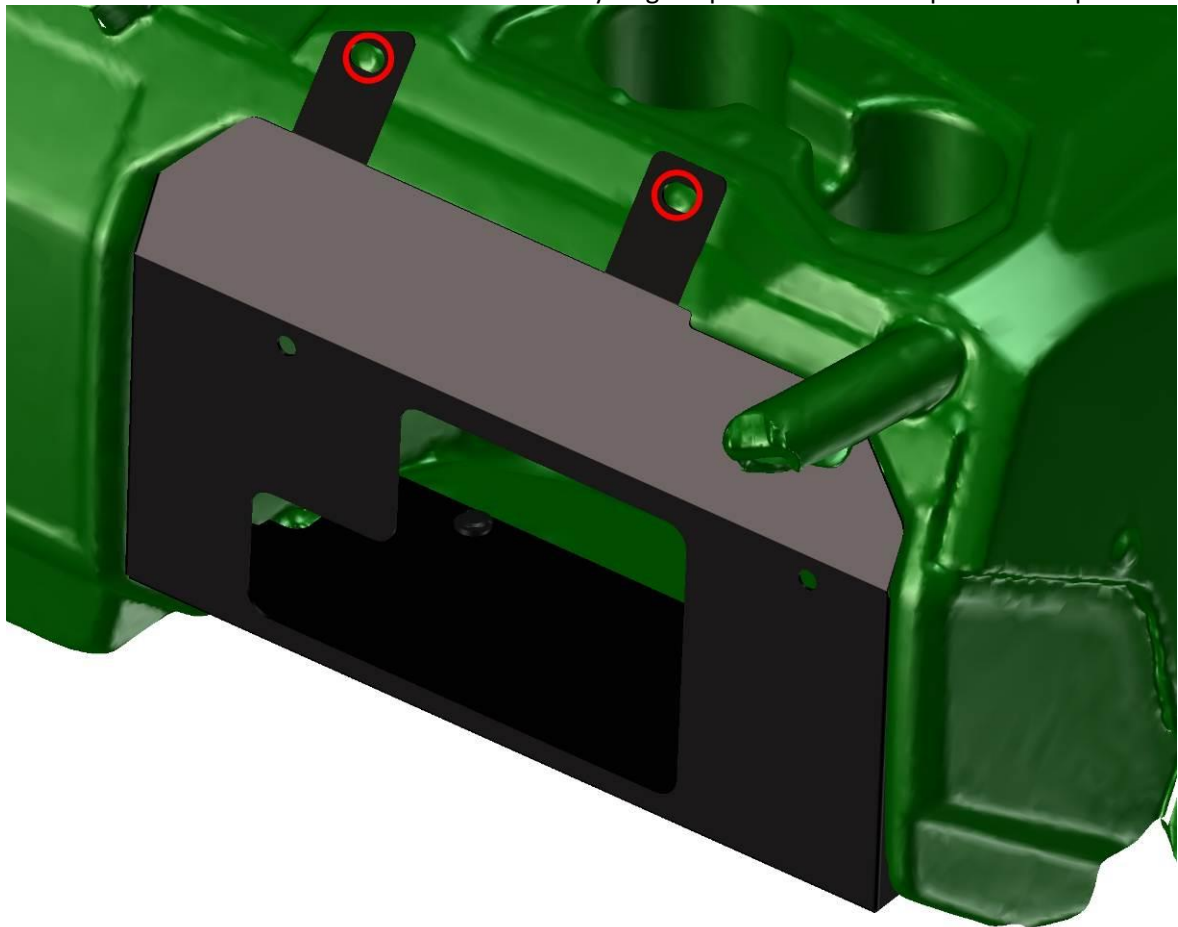
Take out the holder and drill 2 holes \varnothing 8mm into the mark's centers.



Place holder back and fix the holder with the glovebox by plastic screws on both sides.



Fix the heater holder with the dashboard by original plastic rivets from previous steps



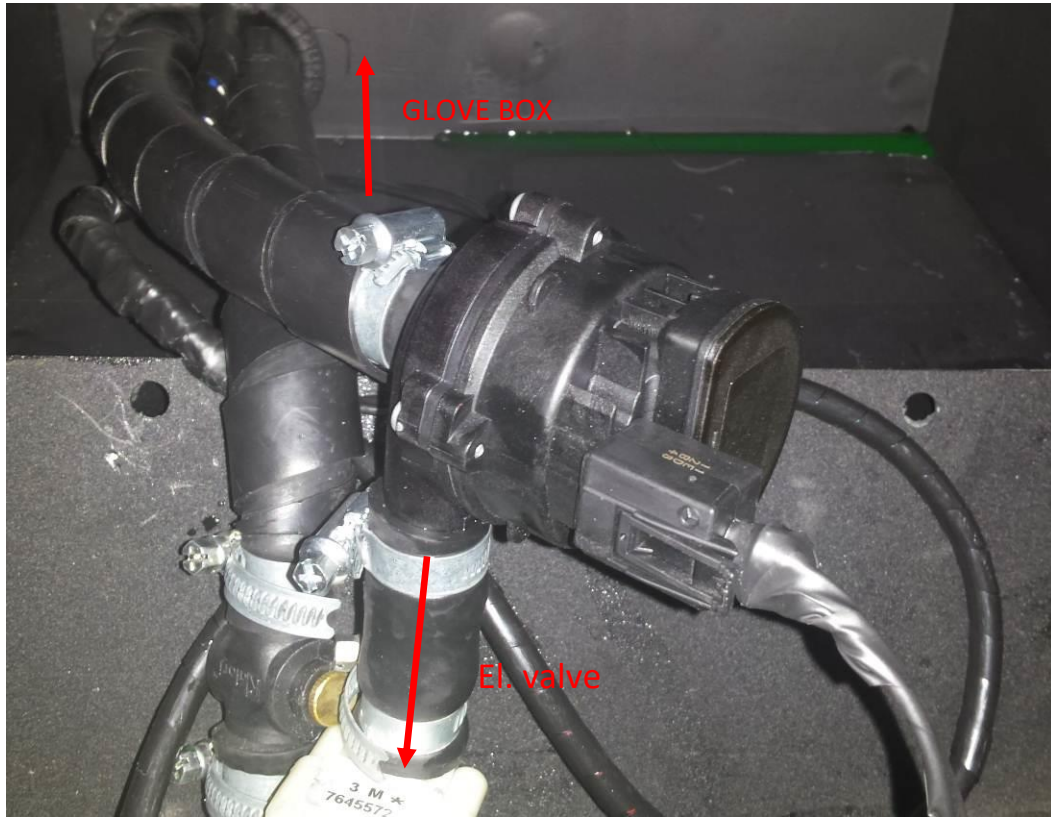
103

Cut the heater hose to two same pieces. Install the heater hose onto the electric valve and tighten tightening strap hard.



Install the water pump into the heater hose with the el. valve in same position like on picture below.

Be very careful to not install pump in revers position.



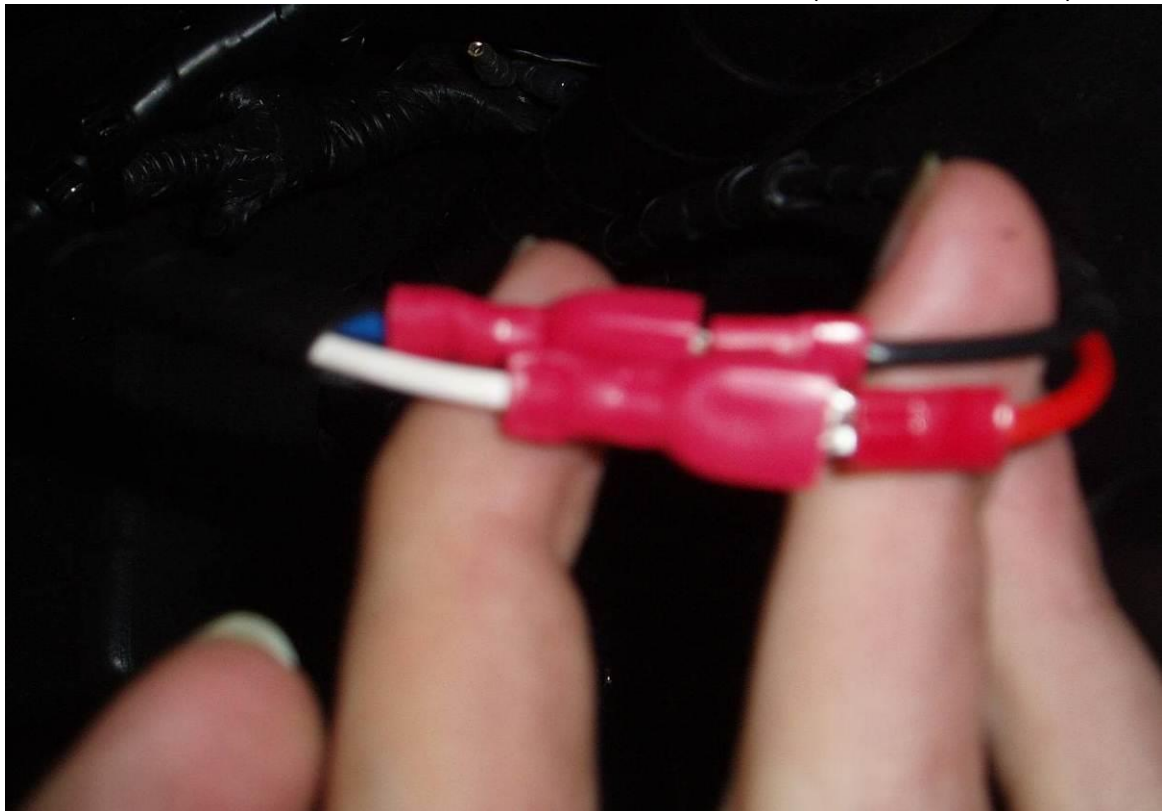
Connect the pump harness with the el. vent harness branch
black to black and other to other by included connectors.



Install the air vent into the second heater hoses and tighten straps hard.



Connect the heater harness with the heater harness branch (detail of connection.)



It is important to keep a reserve 10 inches each hose and cables for pulling of the heater assembly in the next steps. Stretch the heater hoses through the hole in the glove box wall.

Run the hose with the electric valve through the inner dashboard space left front wheel.

Run the hose with the air vent through the inner dashboard space to the right front wheel.

Lock the original cooling hose by clamps near the cooler (near left front wheel) and install "Y" couple and tightening straps. It is important to smaller part of coupling go down and onto front side.

Install heater hose with el. valve and tightening strap to this coupling. Tighten all straps very hard.

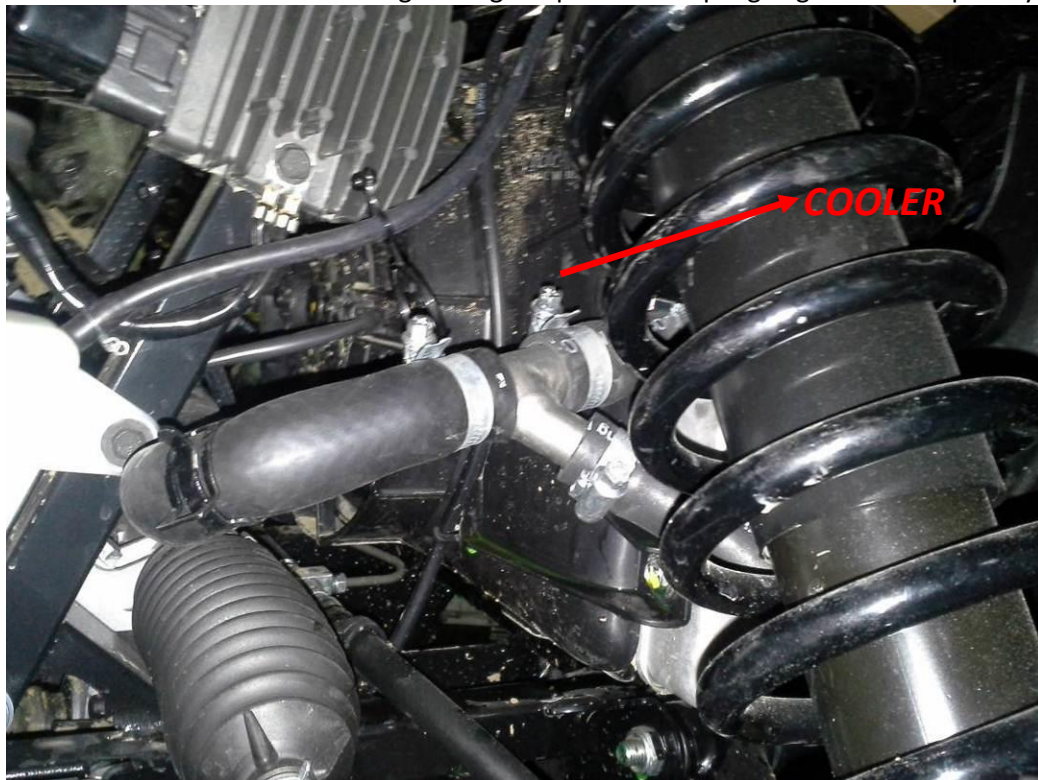


Unlock the clamps from the original cooling hose.

SEE NEXT PAGE

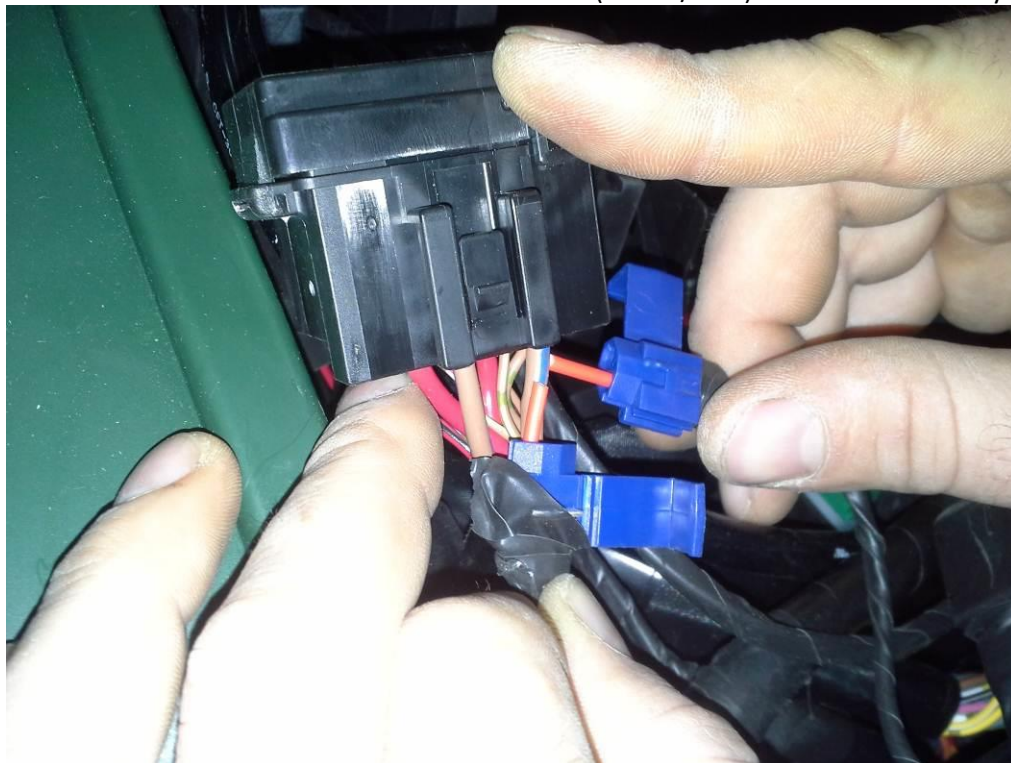
Lock the original cooling hose by clamps near the cooler (near right front wheel) and install "Y" couple and tightening straps. It is important to smaller part of coupling go onto front side.

Install heater hose with air vent and tightening strap to this coupling. Tighten all straps very hard.

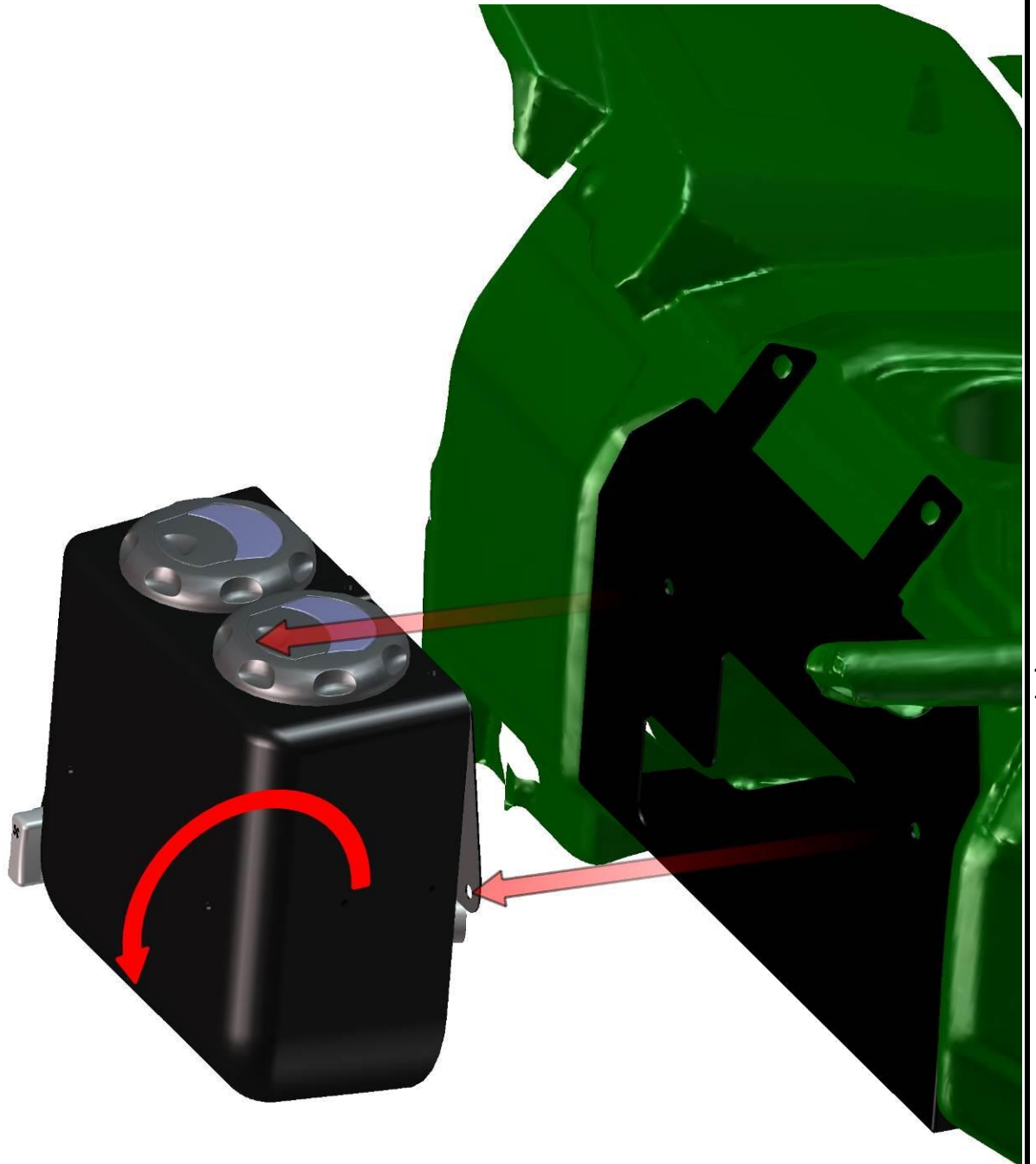


Run the heater harness to the UTV's battery space.

Connect the branches with the UTV's fuse box wire (brown/blue) and with the battery "-"



Pull the heater from glove box and rotate (bend) down. It is necessary to air vent have higher position than heater.



SEE NEXT PAGE!

It is absolutely necessary to bleed the air out of the UTV's engine cooling system. Incomplete bleeding of cooling system can result in engine damage. If you don't have sufficient experience with this process, we strongly recommend professional service technician assistance. We are not responsible for damages when cooling system bled incompletely. Please note that additional heater system will absorb more than 2 liters of coolant fluid.

- 1. Important: After the heater system installed check the system for leaks. Turn on the electric vent switch and confirm that the engine is cold. Start the engine, open bleeding valve and wait until engine warms up. Important: Always check engine temperature – if it overheats turn off engine.***
- 2. To achieve engine operating temperature depress the accelerator to increase the engine RPM. This will increase the pressure and flow of the water pump forcing more coolant through the heater. After operating temperature reached turn off engine and open it. Trapped air should come out from heater system throughout bleeding valve. Repeat this procedure until heater/cooling system is completely bled out.***

The DFK Cab heater, like the heater in a car, generates heat from the vehicle's engine.

In nearly all cases, the heater should generate enough heat from your UTV, side by side, or tractor engine that you may need to turn the heater off periodically otherwise the air in the cabin may be too hot.

It is important to check the coolant level regularly at least 4-5 times during the first several days of operation and fill as necessary until the coolant level has stabilized. The heater will draw and retain coolant, sometimes at the expense of coolant to the engine. This can cause engine overheating if not managed properly.

SEE NEXT PAGE

Insert the heater assembly into the glove box and fix the heater with the heater holder by screws.

