

# HardCabs

A DFK AMERICA COMPANY

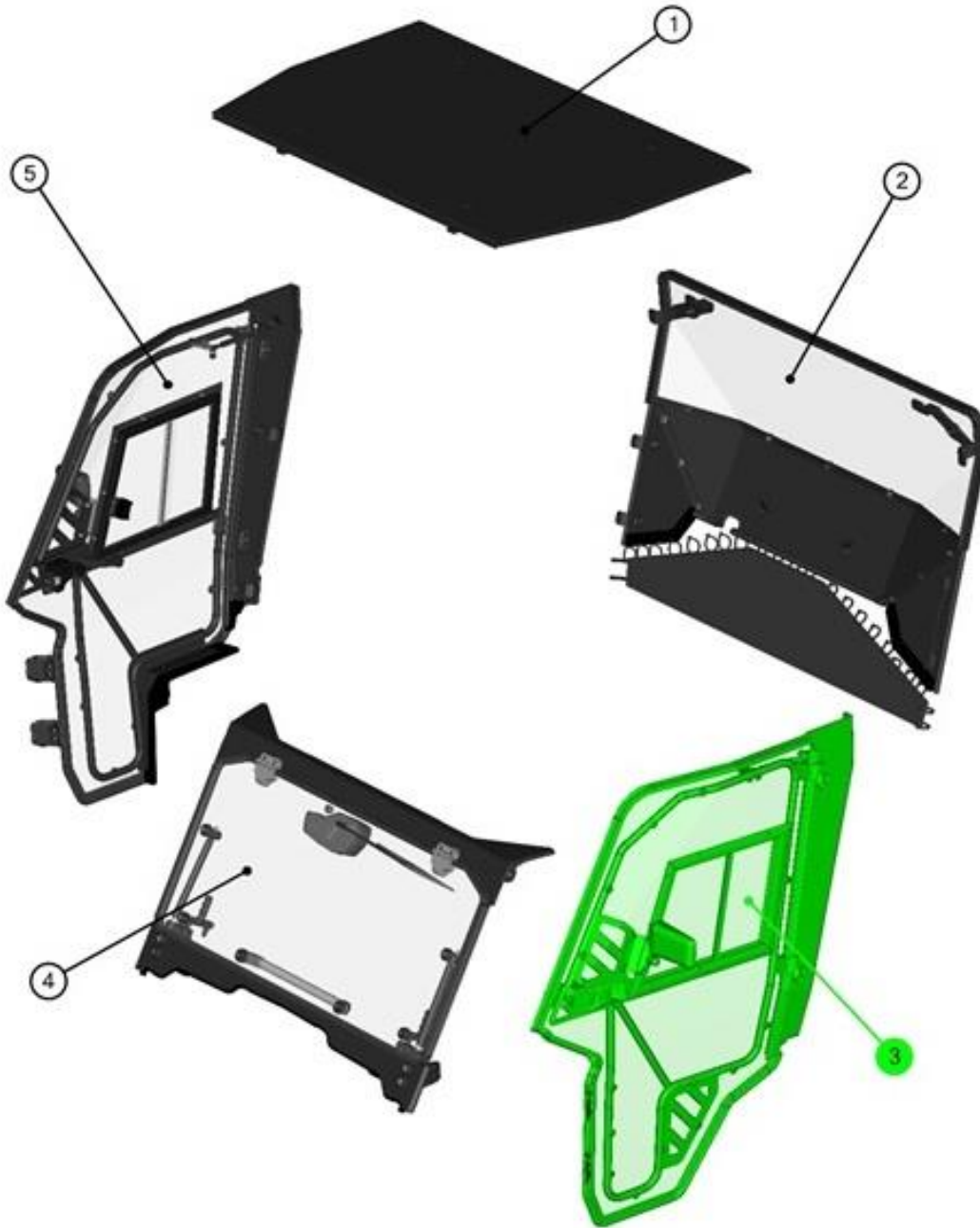
SPARE - PARTS CATALOGUE

## **YAMAHA** **VIKING YXM 700**



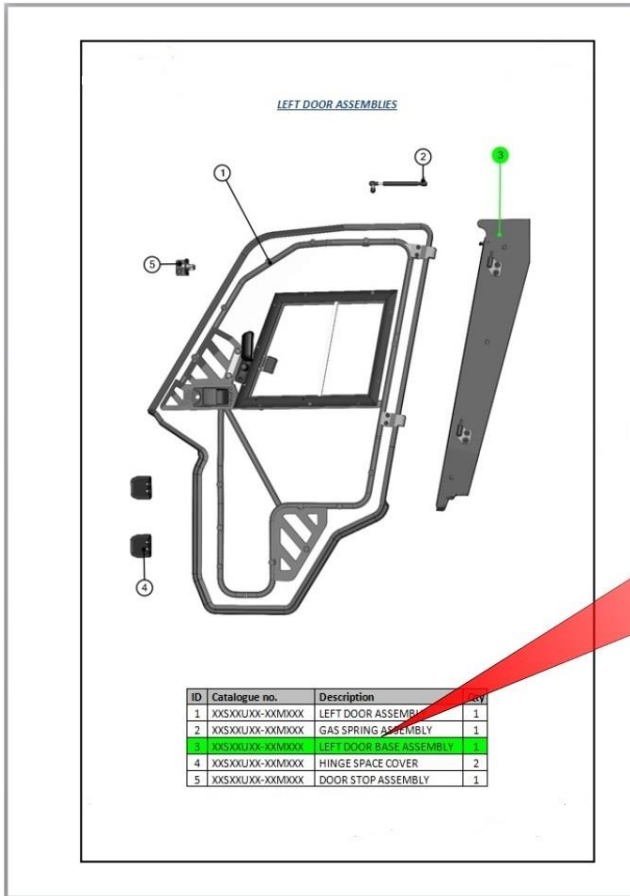
**SEARCH INSTRUCTIONS**

1. Select the panel that interests you and go to the appropriate page catalog.

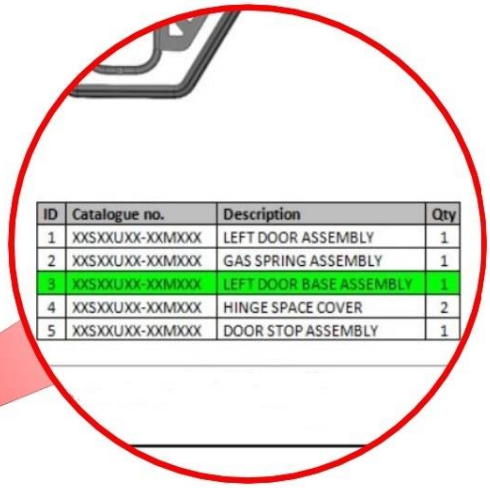


ID	Catalogue no.	Description	Qty	Page
1	XXSXXUXXSXX	ROOF PANEL	1	19
2	XXSXXUXXSXX	REAR PANEL	1	22
3	XXSXXUXXSXX	LEFT DOOR	1	32
4	XXSXXUXXSXX	FRONT PANEL	1	7
5	XXSXXUXXSXX	RIGHT DOOR	1	46

**SEARCH INSTRUCTIONS**



2. Select the name of assembly that interests you (box description).

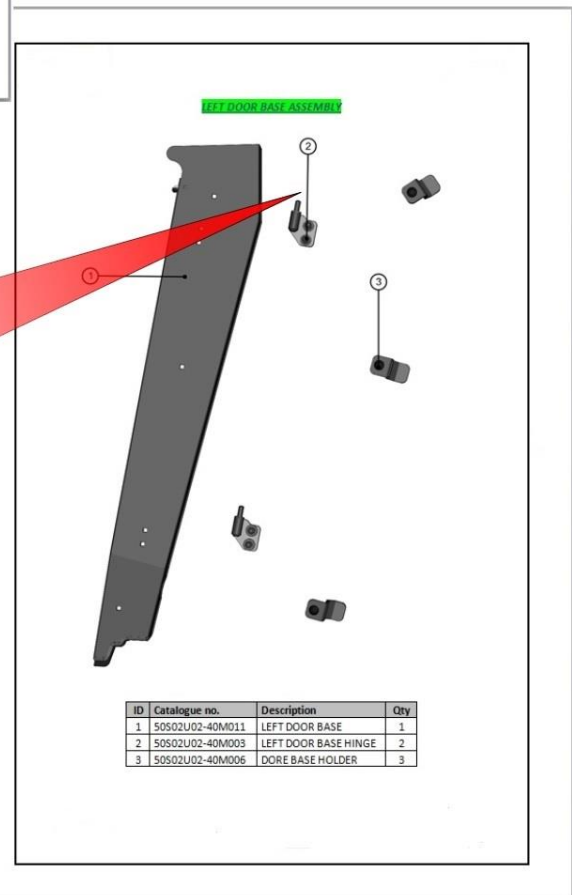


3. Find the page with the same headline like the name of selected items.

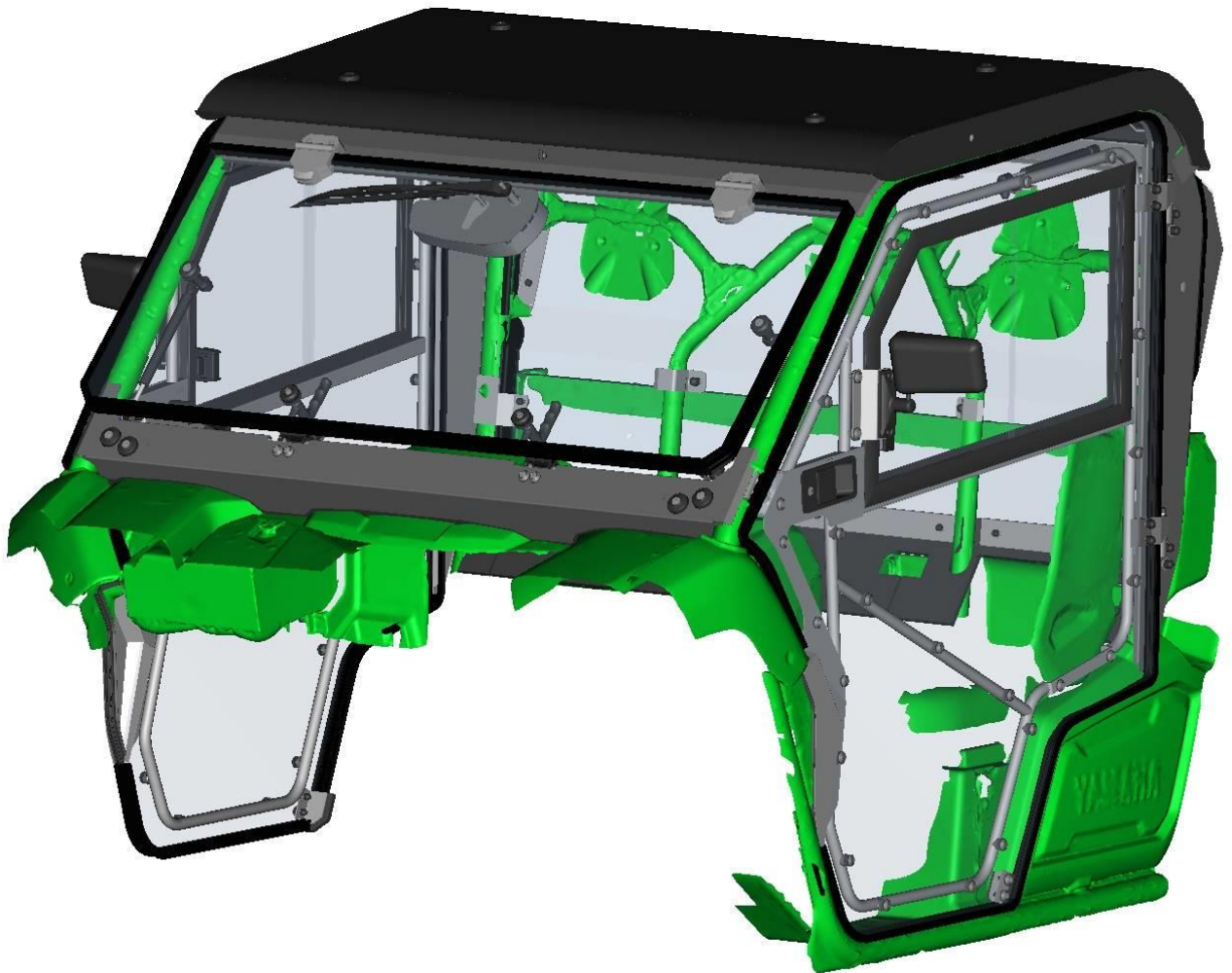


4. Repeat the previous steps to find required part.

5. If you wish to order something please send us relevant Catalogue no. + Description



CAB PREVIEW

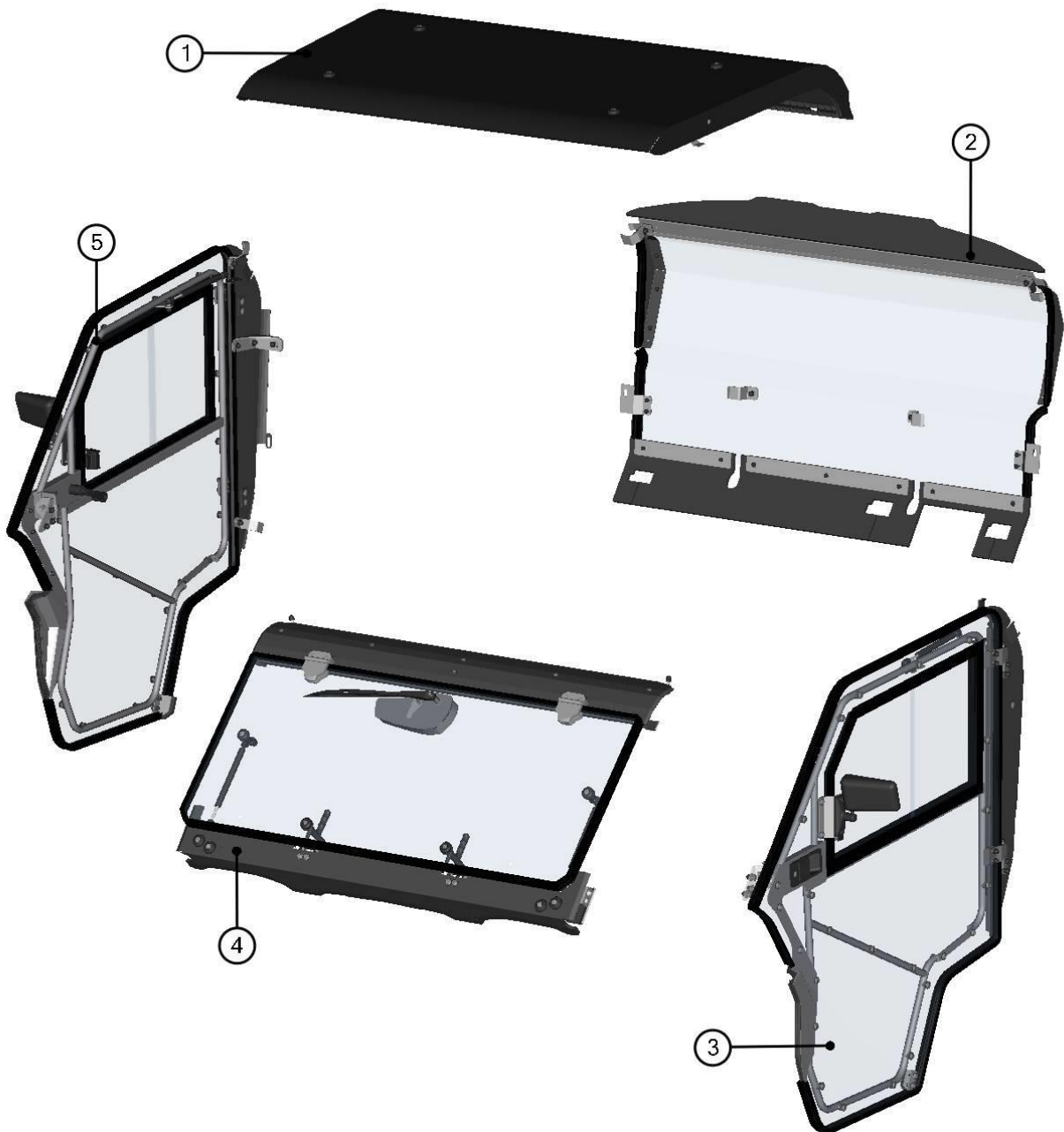


4



5

CAB PANELS



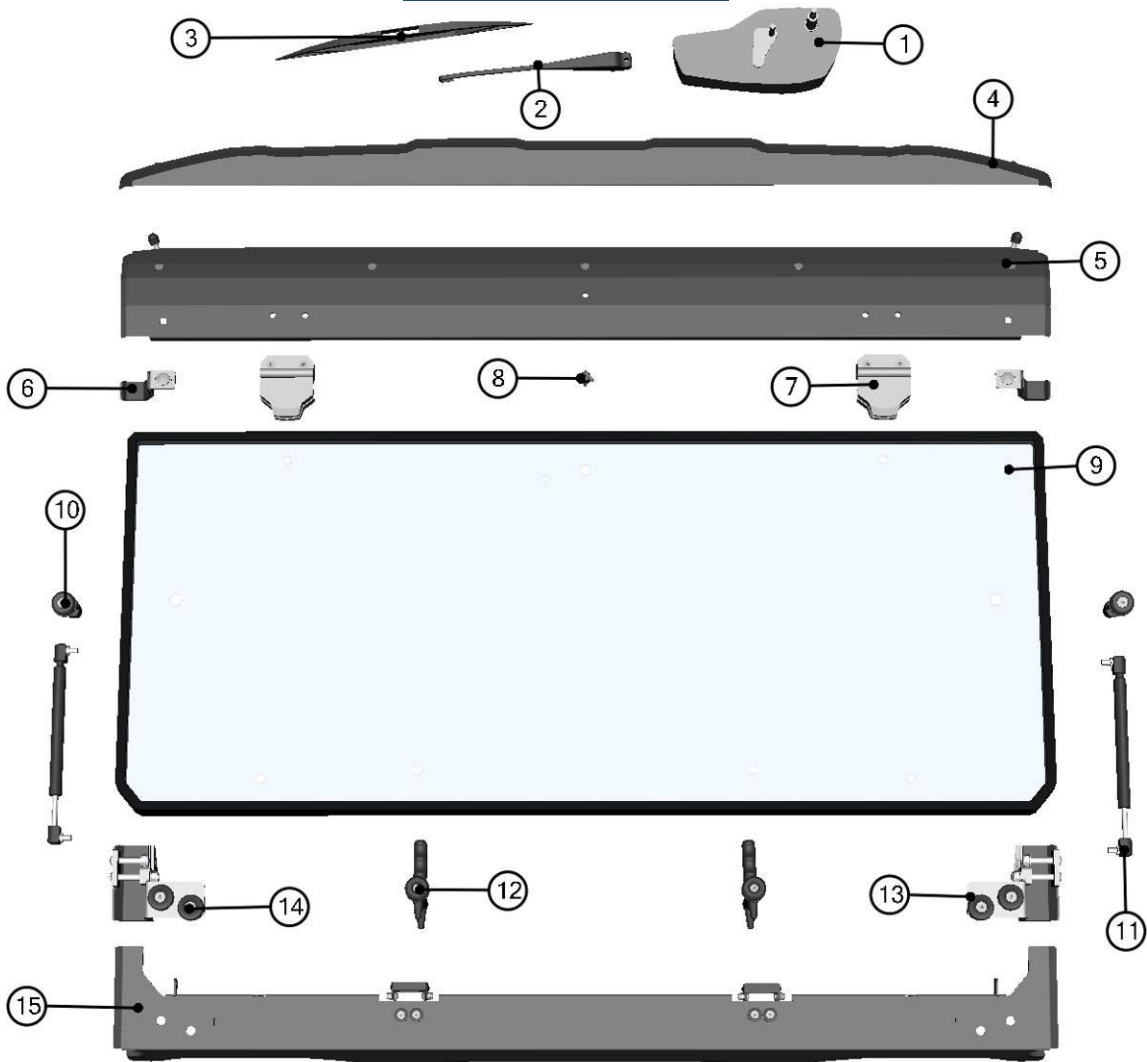
6

ID	Catalogue no.	Description	Qty	Page
1	41S04U01S30	ROOF PANEL	1	29
2	41S04U01S20	REAR PANEL	1	18
3	41S04U01S40	LEFT DOOR	1	33
4	41S04U01S10	FRONT PANEL	1	8
5	41S04U01S50	RIGHT DOOR	1	48

FRONT PANEL



**FRONT PANEL ASSEMBLIES**

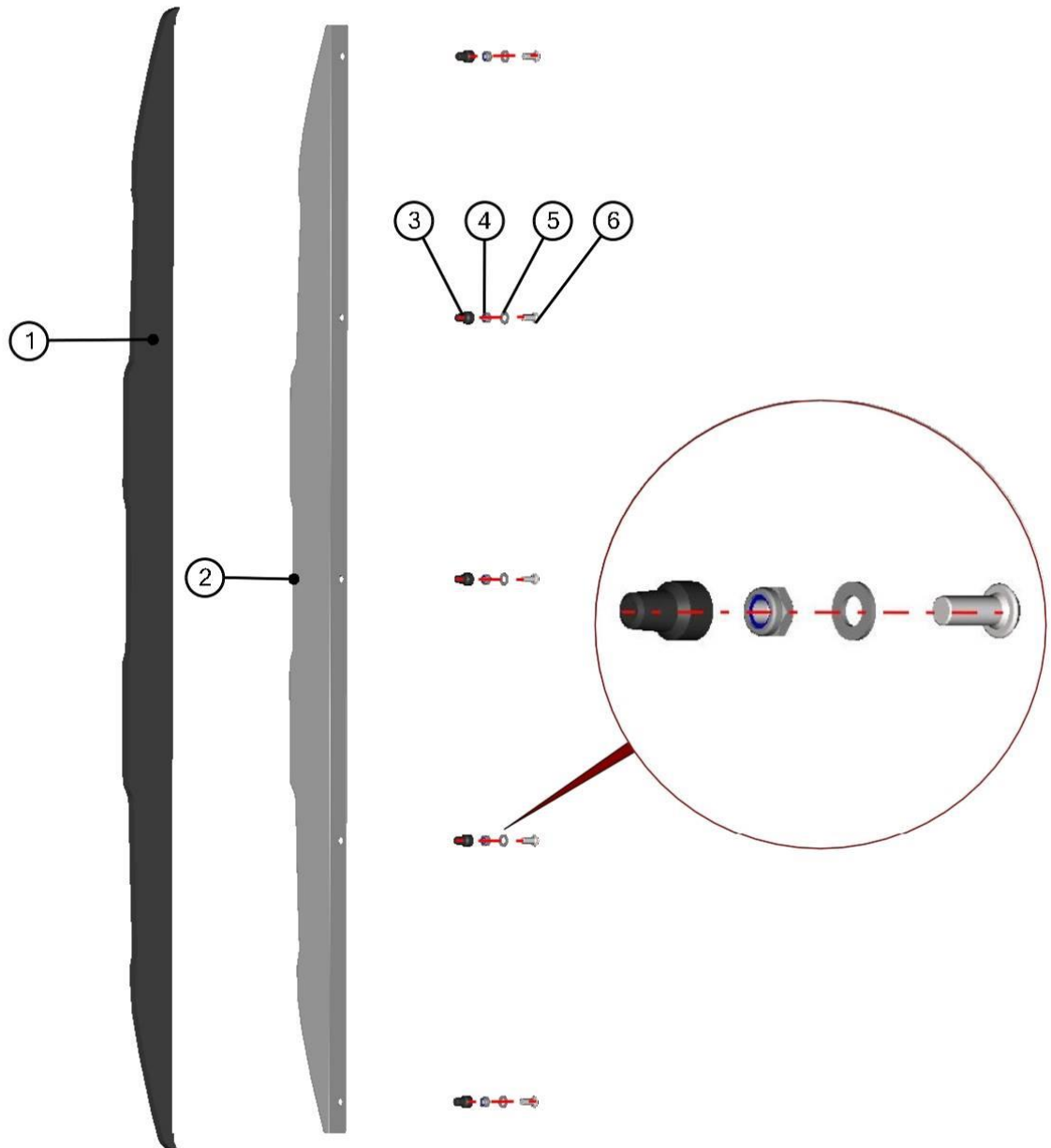


8

ID	Catalogue no.	Description	Qty
1	00-10M005	WIPER MOTOR	1
2	002535	WIPER ARM	1
3	002554	WIPER BLADE	1
4	41S04U01-10M002	ORIGINAL ROOF SEALING LEDGE ASSEMBLY	1
5	41S04U01-10M007	FRONT UPPER LEDGE ASSEMBLY	1
6	41S04U01-10M004	FRONT UPPER LEDGE HOLDER ASSEMBLY	2
7	00-20M001	FRONT PANEL HINGE	2
8	002096	WASHER JET ASSEMBLY	1
9	41S04U01-10M003	FRONT GLASS WITH SEALING	1
10	00-20M005	GAS SPRING HOLDER	2
11	000865	GAS SPRING	2
12	00-10M023	FRONT GLASS LOCK	2
13	41S04U01-10M005	RIGHT FRONT BOTTOM LEDGE FIXING ASSEMBLY	1
14	41S04U01-10M006	LEFT FRONT BOTTOM LEDGE FIXING ASSEMBLY	1
15	41S04U01-10M001	FRONT BOTTOM LEDGE ASSEMBLY	1

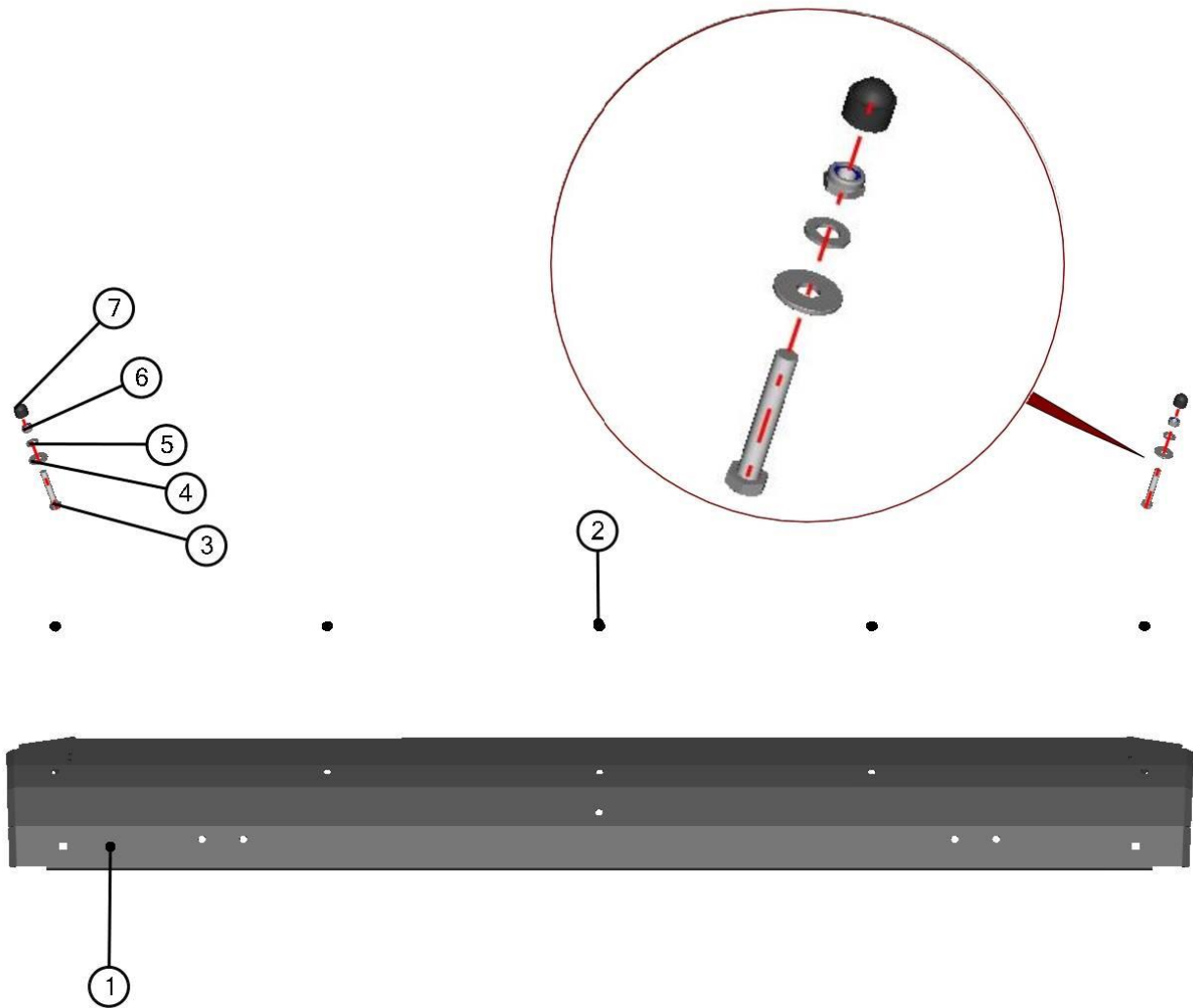


ORIGINAL ROOF SEALING LEDGE ASSEMBLY



ID	Catalogue no.	Description	Qty
1	41S04U01-10-006	ORIGINAL ROOF FRONT SEALING LEDGE EPDM	1
2	41S04U01-10-005	ORIGINAL ROOF FRONT SEALING LEDGE	1
3	001308	PLASTIC NUT COVER LONG OK 13	5
4	001388	SELF-LOCKING NUT M8	5
5	001387	WASHER 8	5
6	002835	SCREW M8x20	5

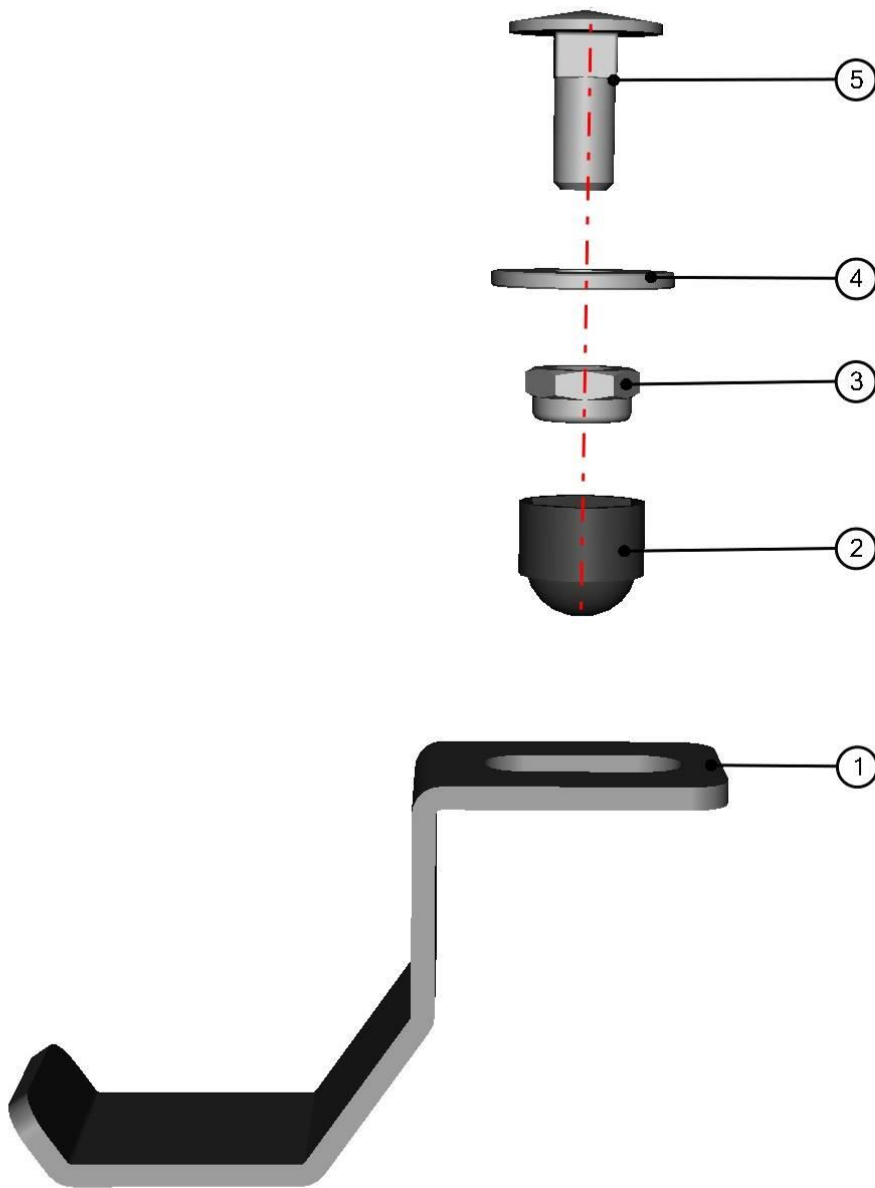
FRONT UPPER LEDGE ASSEMBLY



10

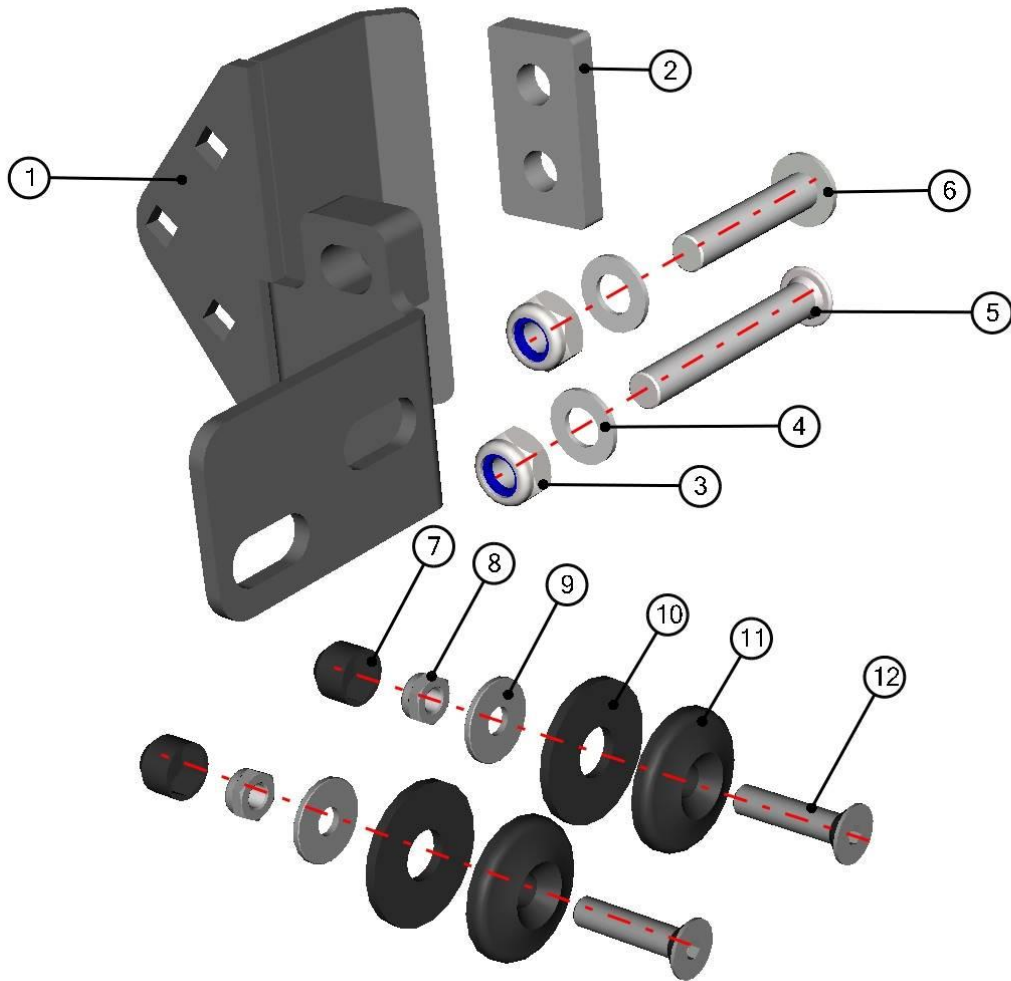
ID	Catalogue no.	Description	Qty
1	41S04U01-10W002	FRONT UPPER LEDGE WELDED	1
2	003104	PLASTIC COVER	5
3	001438	SCREW M8x50	2
4	001407	RIVET WASHER 8	2
5	001387	WASHER 8	2
6	001388	SELF-LOCKING NUT M8	2
7	001309	PLASTIC NUT COVER OK 13	2

**FRONT UPPER LEDGE HOLDER ASSEMBLY**



ID	Catalogue no.	Description	Qty
1	41S04U01-10-004	FRONT UPPER LEDGE HOLDER	1
2	001309	PLASTIC NUT COVER OK 13	1
3	001388	SELF-LOCKING NUT M8	1
4	001407	RIVET WASHER 8	1
5	002575	SCREW M8x20	1

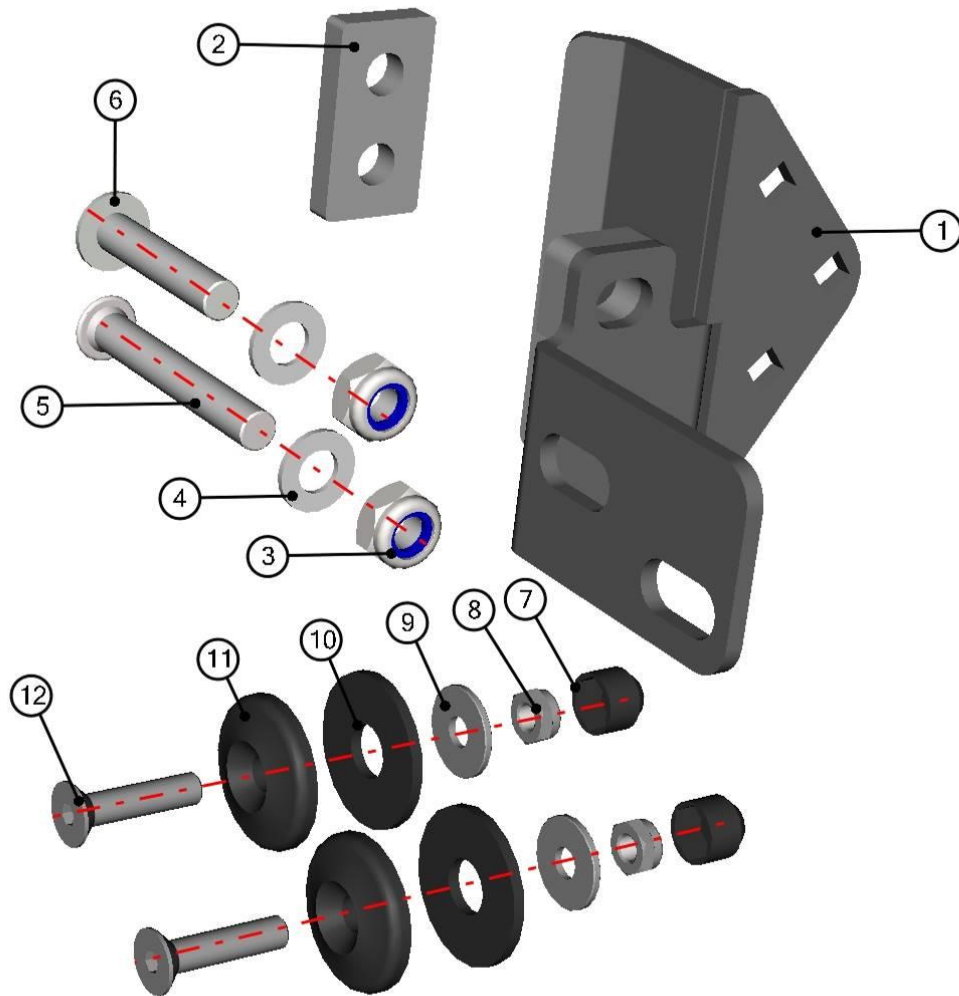
**RIGHT FRONT BOTTOM LEDGE FIXING ASSEMBLY**



12

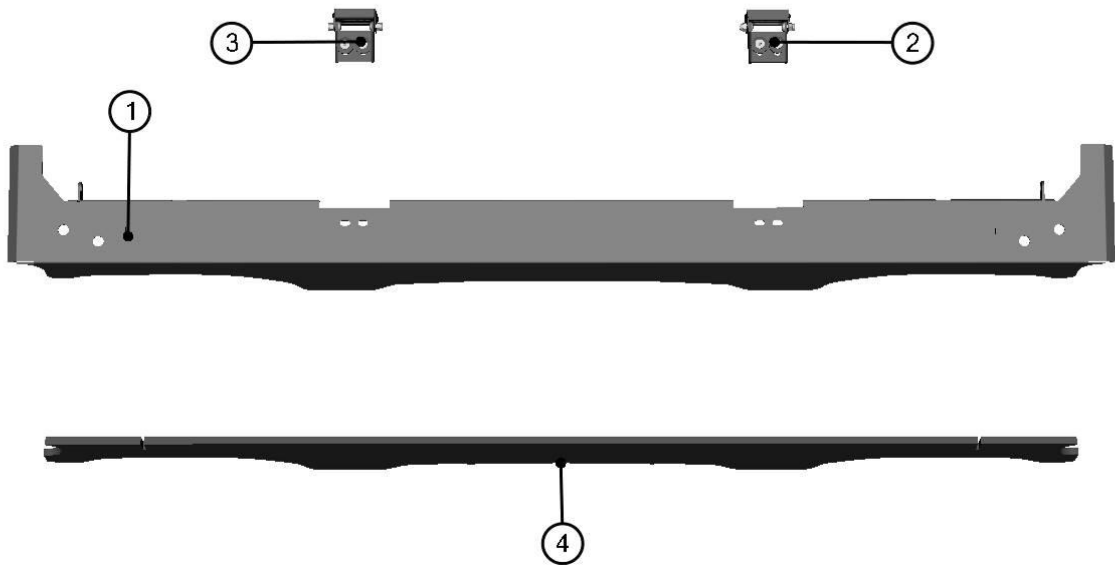
ID	Catalogue no.	Description	Qty
1	41S04U01-10W005	RIGHT FRONT BOTTOM LEDGE HOLDER WELDED	1
2	41S04U01-10-022	WASHER	1
3	002533	SELF-LOCKING NUT M10	2
4	001485	WASHER 10	2
5	002542	SCREW M10x70	1
6	002768	SCREW M10x50	1
7	001309	PLASTIC NUT COVER OK 13	2
8	001388	SELF-LOCKING NUT M8	2
9	001407	RIVET WASHER 8	2
10	001428	RUBBER WASHER	2
11	001429	PLASTIC NOG	2
12	001760	SCREW M8x35	2

**LEFT FRONT BOTTOM LEDGE FIXING ASSEMBLY**



ID	Catalogue no.	Description	Qty
1	41S04U01-10W003	LEFT BOTTOM LEDGE HOLDER WELDED	1
2	41S04U01-10-022	WASHER	1
3	002533	SELF-LOCKING NUT M10	2
4	001485	WASHER 10	2
5	002542	SCREW M10x70	1
6	002768	SCREW M10x50	1
7	001309	PLASTIC NUT COVER OK 13	2
8	001388	SELF-LOCKING NUT M8	2
9	001407	RIVET WASHER 8	2
10	001428	RUBBER WASHER	2
11	001429	PLASTIC NOG	2
12	001760	SCREW M8x35	2

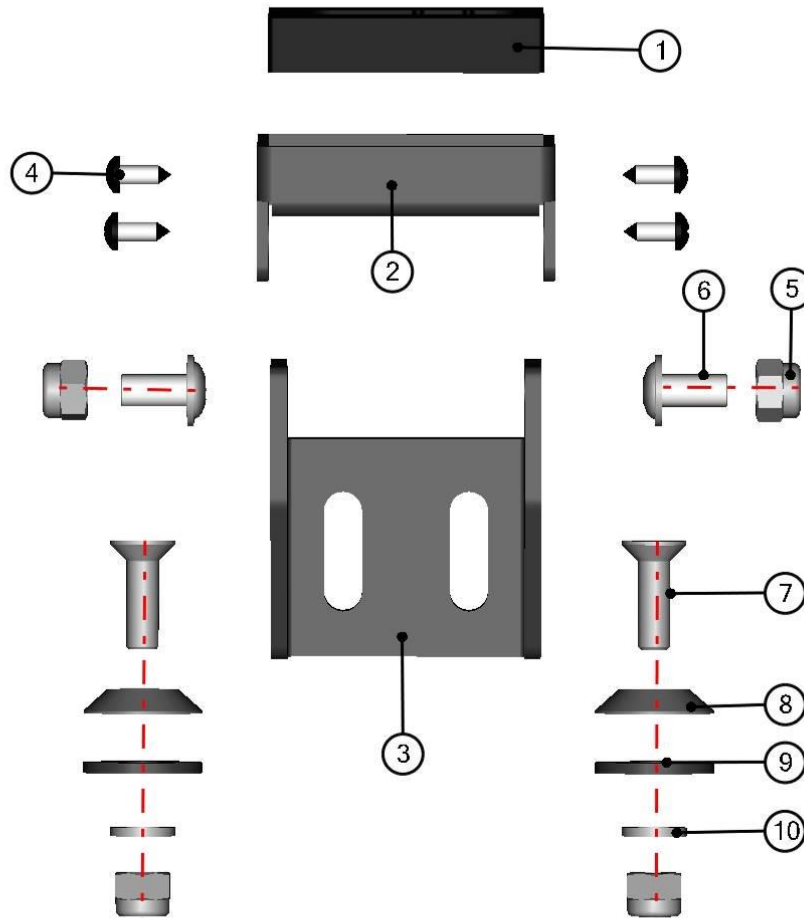
**FRONT BOTTOM LEDGE ASSEMBLY**



14

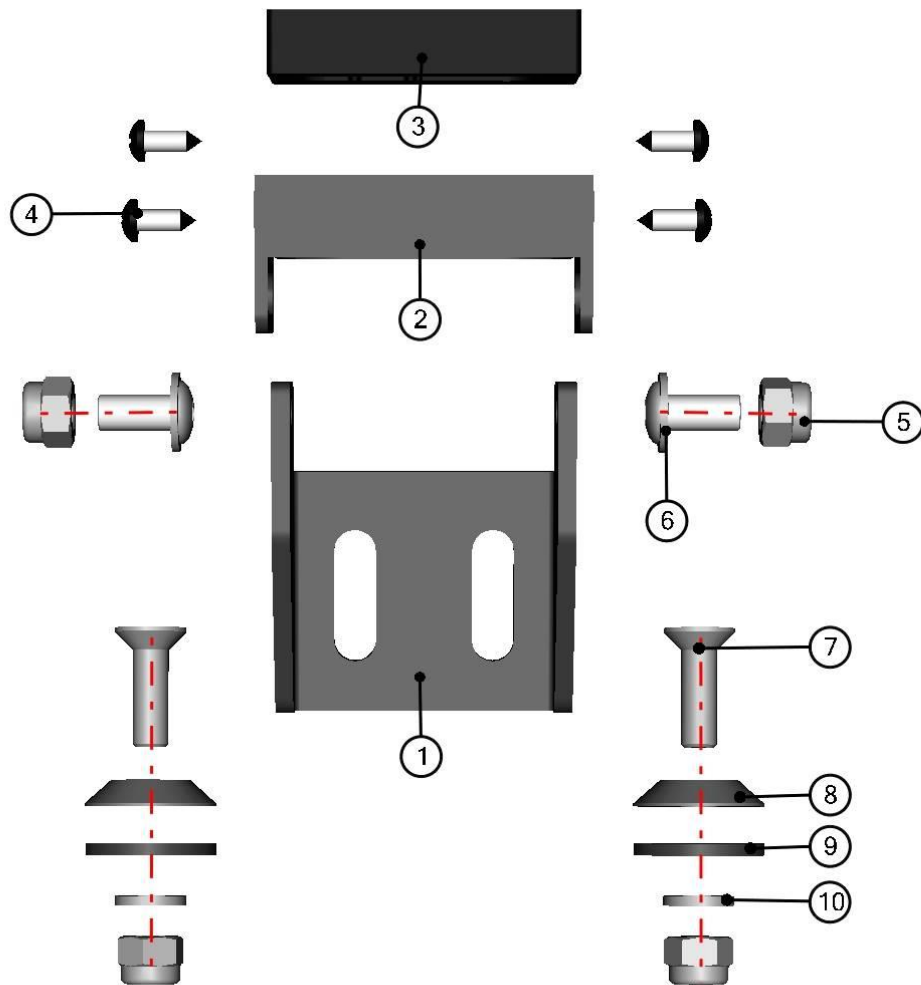
ID	Catalogue no.	Description	Qty
1	41S04U01-10W001	FRONT BOTTOM LEDGE WELDED	1
2	41S04U01-10M012	LEFT FRONT WINDOW STOP ASSEMBLY	1
3	41S04U01-10M013	RIGHT FRONT WINDOW STOP ASSEMBLY	1
4	41S04U01-10-007	FRONT BOTTOM LEDGE EPDM	1

**LEFT FRONT WINDOW STOP ASSEMBLY**



ID	Catalogue no.	Description	Qty
1	00-199U-011	PLASTIC WINDOW STOP	1
2	00-10W003	WINDOW STOP WELDED	1
3	41S04U01-10-026	WINDOW STOP HOLDER	1
4	003936	SELF-CUTTING SCREW 3,5x9,5	4
5	001392	SELF-LOCKING NUT	4
6	002508	SCREW M6x12	2
7	001761	SCREW M6x20	2
8	001715	PLASTIC WASHER	2
9	001735	RUBBER WASHER EPDM	2
10	001426	WASHER 6	2

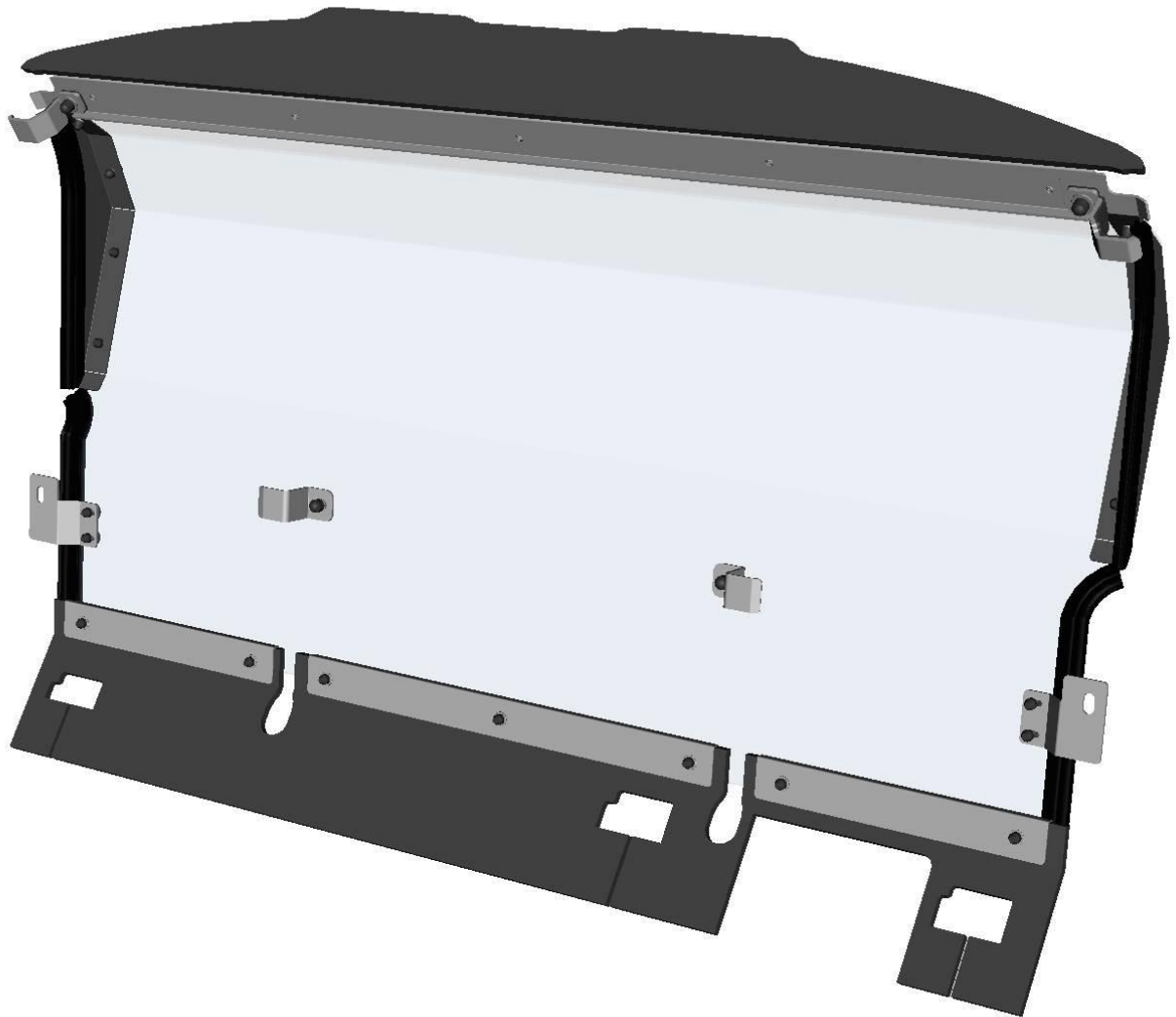
**RIGHT FRONT WINDOW STOP ASSEMBLY**



ID	Catalogue no.	Description	Qty
1	41S04U01-10-026	WINDOW STOP HOLDER	1
2	00-10W003	WINDOW STOP WELDED	1
3	00-199U-011	PLASTIC WINDOW STOP	1
4	003936	SELF-CUTTING SCREW 3,5x9,5	4
5	001392	SELF-LOCKING NUT M6	4
6	002508	SCREW M6x12	2
7	001761	SCREW M6x20	2
8	001715	PLASTIC WASHER	2
9	001735	RUBBER WASHER EPDM	2
10	001426	WASHER 6	2

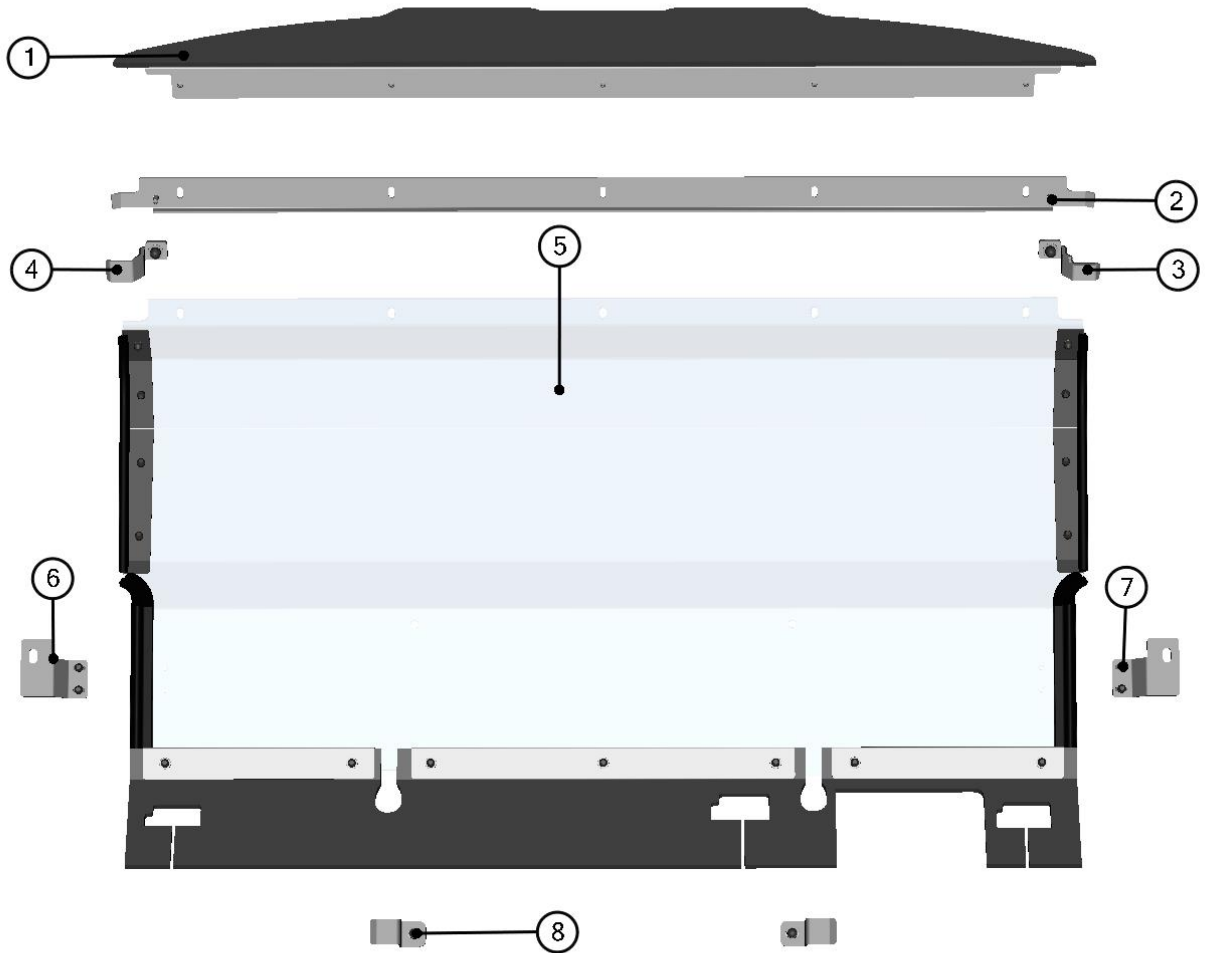


REAR PANEL



17

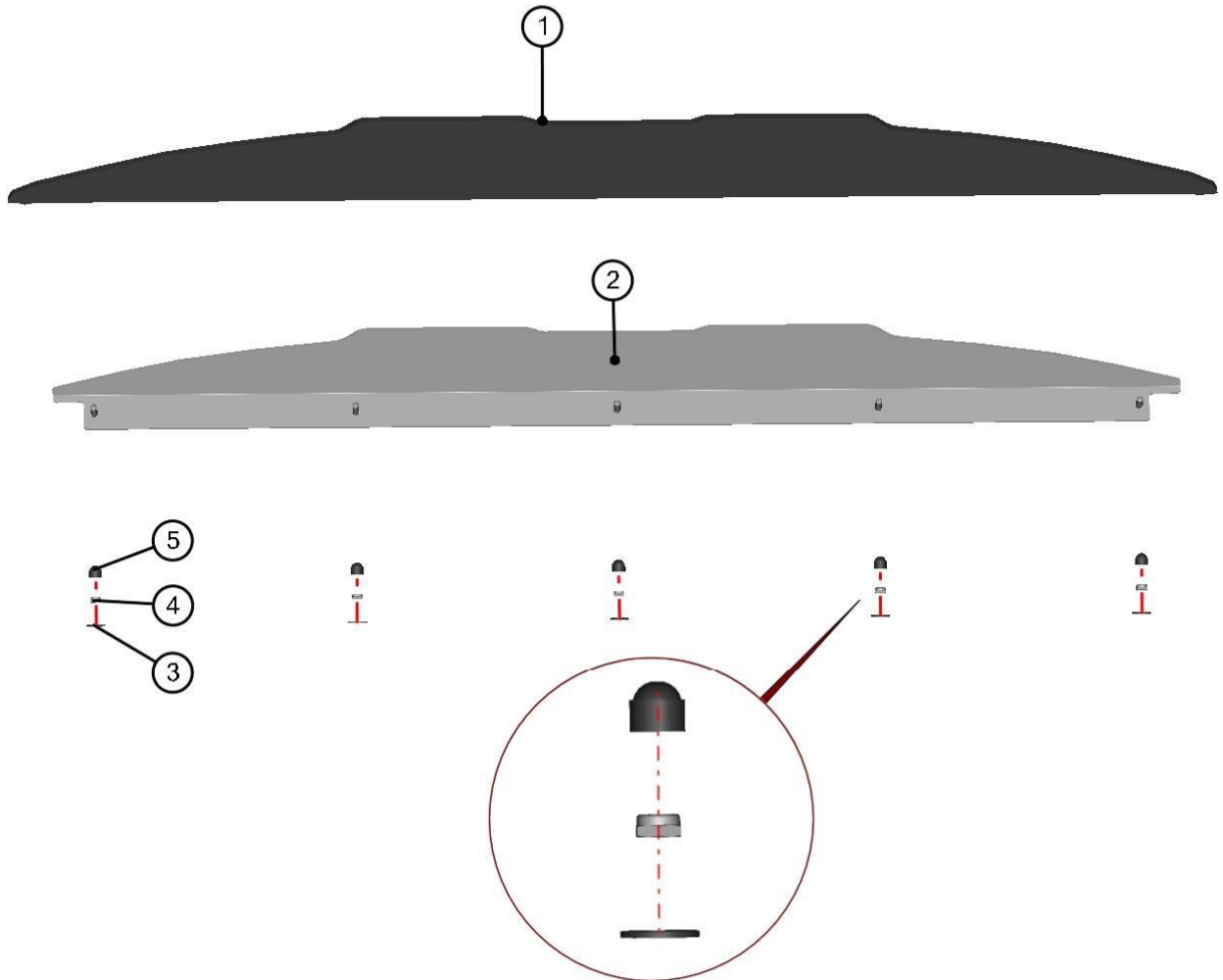
REAR PANEL ASSEMBLIES



18

ID	Catalogue no.	Description	Qty
1	41S04U01-20M001	ORIGINAL ROOF REAR SEALING ASSEMBLY	1
2	41S04U01-20W001	REAR UPPER LEDGE WELDED	1
3	41S04U01-20M006	LEFT UPPER HOLDER ASSEMBLY	1
4	41S04U01-20M010	RIGHT UPPER HOLDER ASSEMBLY	1
5	41S04U01-20M002	REAR PANEL ASSEMBLY	1
6	41S04U01-20M004	RIGHT BOTTOM HOLDER ASSEMBLY	1
7	41S04U01-20M005	LEFT BOTTOM HOLDER ASSEMBLY	1
8	41S04U01-20M011	CENTRAL HOLDER ASSEMBLY	2

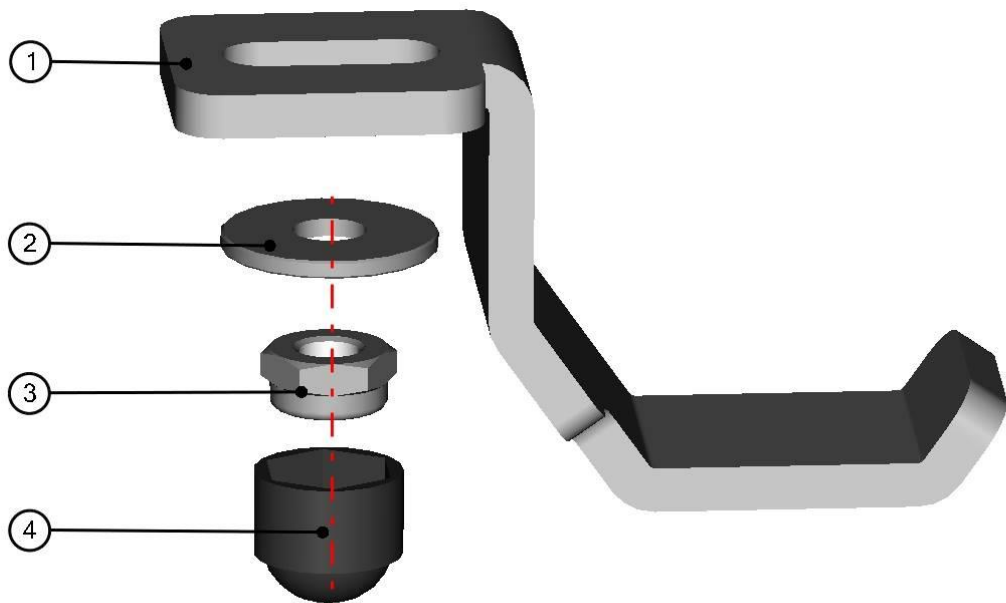
ORIGINAL ROOF REAR SEALING ASSEMBLY



19

ID	Catalogue no.	Description	Qty
1	41S04U01-20-007	ORIGINAL ROOF SEALNG EPDM	1
2	41S04U01-20W003	ORIGINAL ROOF SEALING LEDGE WELDED	1
3	003322	RIVET WASHER 8	5
4	001388	SELF-LOCKING NUT M8	5
5	001309	PLASTIC NUT COVER OK 13	5

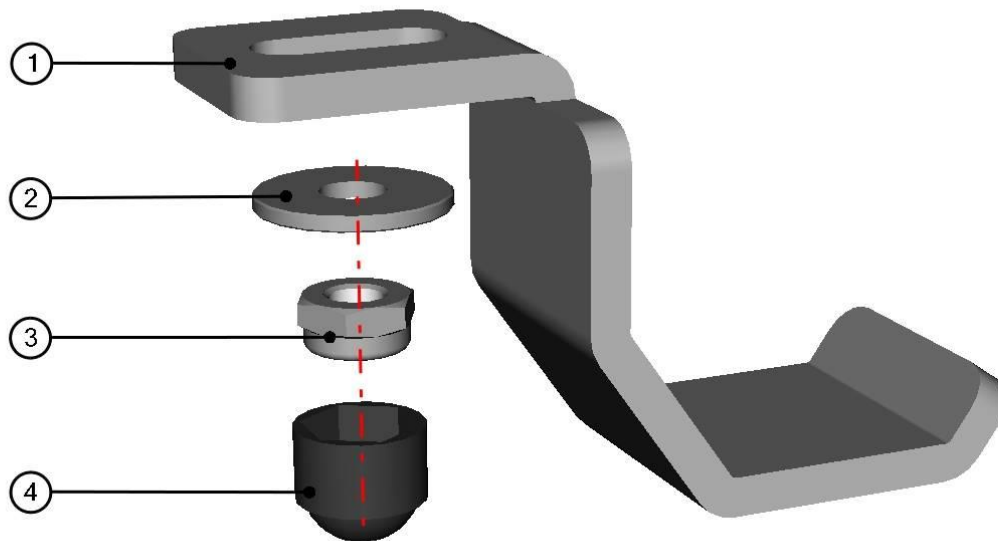
LEFT UPPER HOLDER ASSEMBLY



20

ID	Catalogue no.	Description	Qty
1	41S04U01-20-013	LEFT REAR PANEL UPPER HOLDER	1
2	001407	RIVET WASHER 8	1
3	001388	SELF-LOCKING NUT M8	1
4	001309	PLASTIC NUT COVER OK 13	1

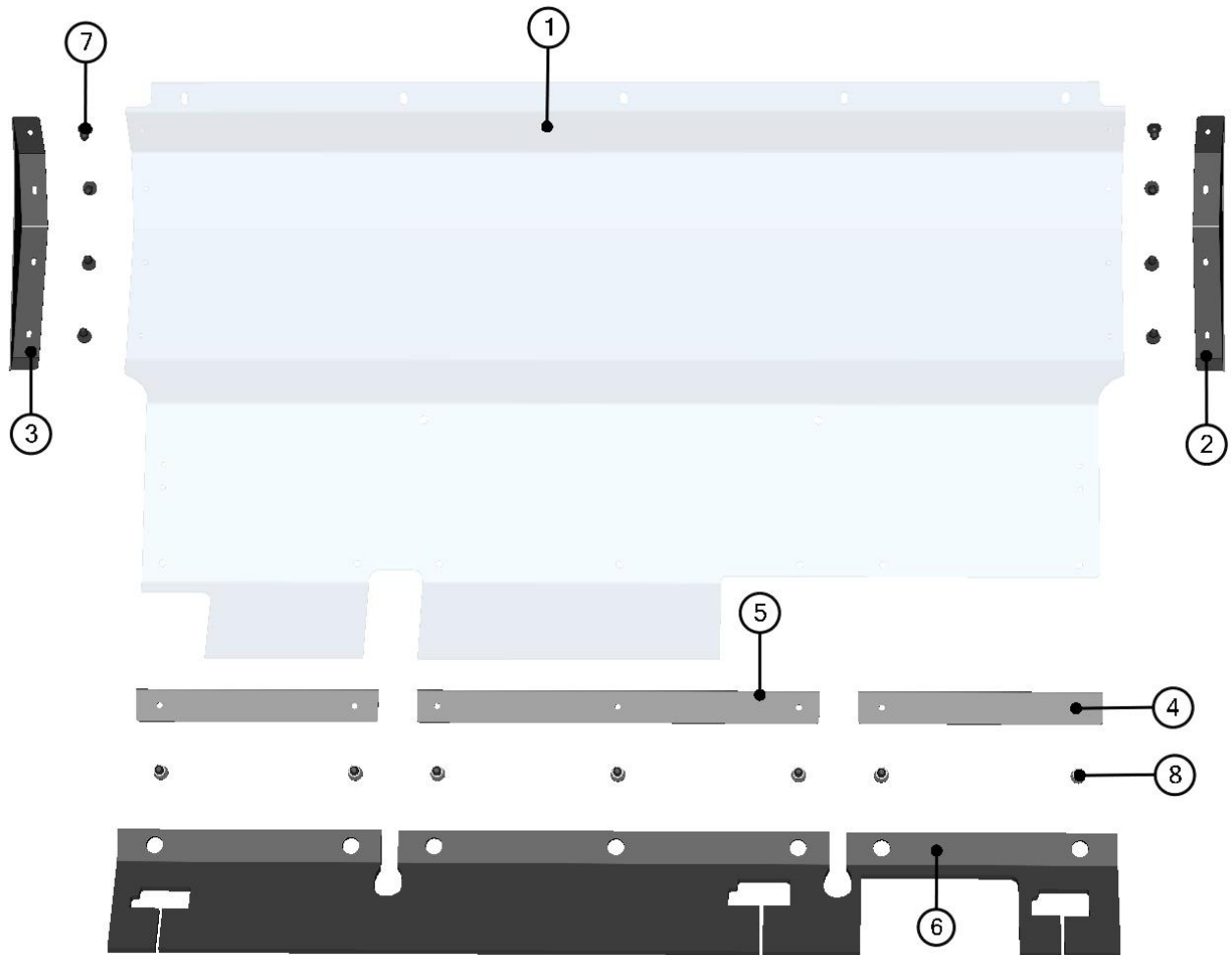
RIGHT UPPER HOLDER ASSEMBLY



21

ID	Catalogue no.	Description	Qty
1	41S04U01-20-026	RIGHT REAR PANEL UPPER HOLDER	1
2	001407	RIVET WASHER 8	1
3	001388	SELF-LOCKING NUT M8	1
4	001309	PLASTIC NUT COVER OK 13	1

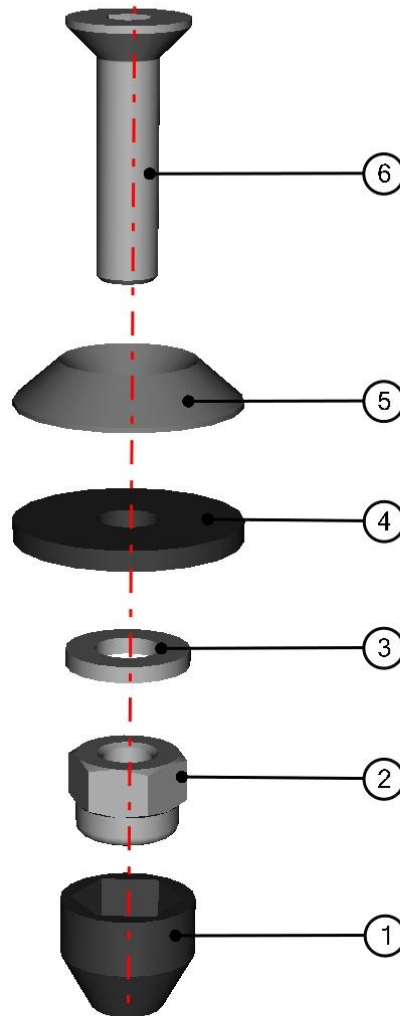
REAR PANEL ASSEMBLY



22

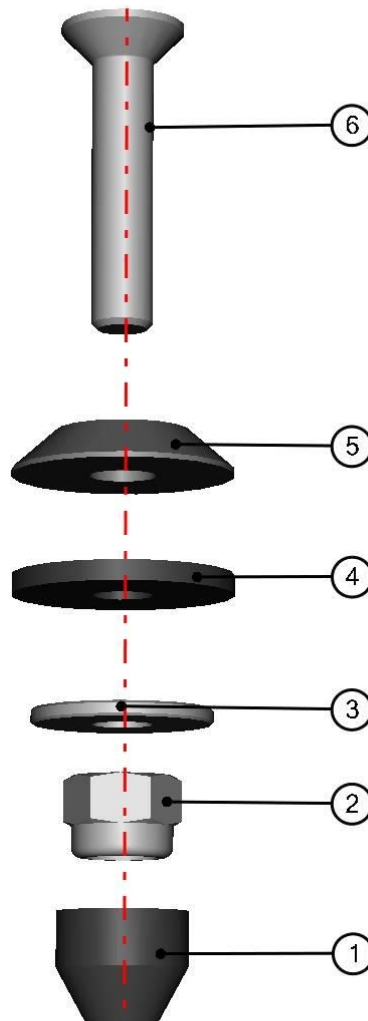
ID	Catalogue no.	Description	Qty
1	41S04U01-20-002	REAR POLYCARBONATE	1
2	41S04U01-20-003	LEFT POLYCARBONATE BASE	1
3	41S04U01-20-005	RIGHT POLYCARBONATE BASE	1
4	41S04U01-20-009	REAR PANEL BOTTOM EPDM SIDE FIXING LEDGE	2
5	41S04U01-20-010	REAR PANEL BOTTOM EPDM CENTRAL FIXING LEDGE	1
6	41S04U01-20-008	REAR PANEL BOTTOM EPDM	1
7	*****	POLYCARBONATE BASE FIXING ASSEMBLY	1
8	*****	REAR PANEL EPDM FIXING ASSEMBLY	1

POLYCARBONATE BASE FIXING ASSEMBLY



ID	Catalogue no.	Description	Qty
1	001348	PLASTIC NUT COVER OK 10	1
2	001392	SELF-LOCKING NUT M6	1
3	001426	WASHER 6	1
4	001735	RUBBER WASHER EPDM	1
5	001715	PLASTIC WASHER	1
6	001432	SCREW M6x25	1

REAR PANEL EPDM FIXING ASSEMBLY

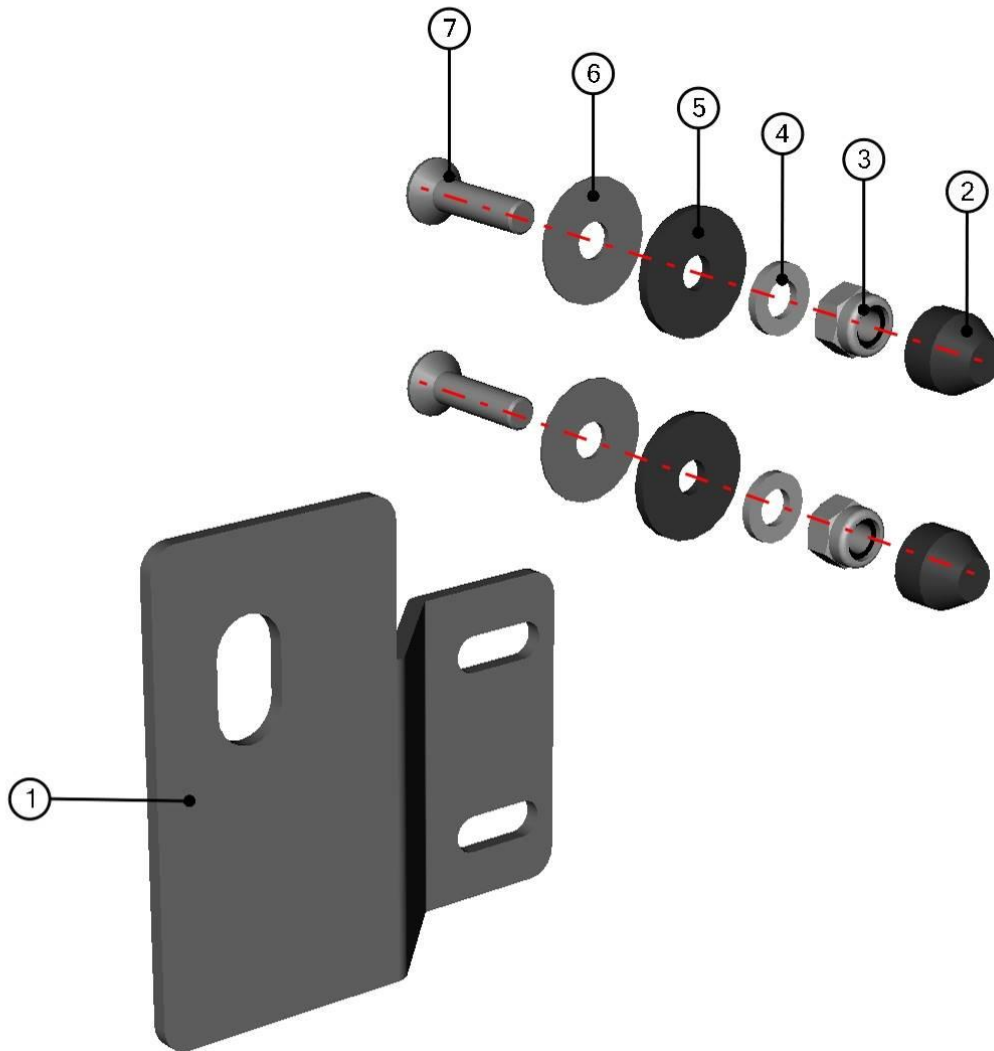


24

ID	Catalogue no.	Description	Qty
1	001348	PLASTIC NUT COVER OK 10	1
2	001392	SELF-LOCKING NUT M6	1
3	001337	RIVET WASHER 6	1
4	001735	RUBBER WASHER EPDM	1
5	001715	PLASTIC WASHER	1
6	001701	SCREW M6x30	1

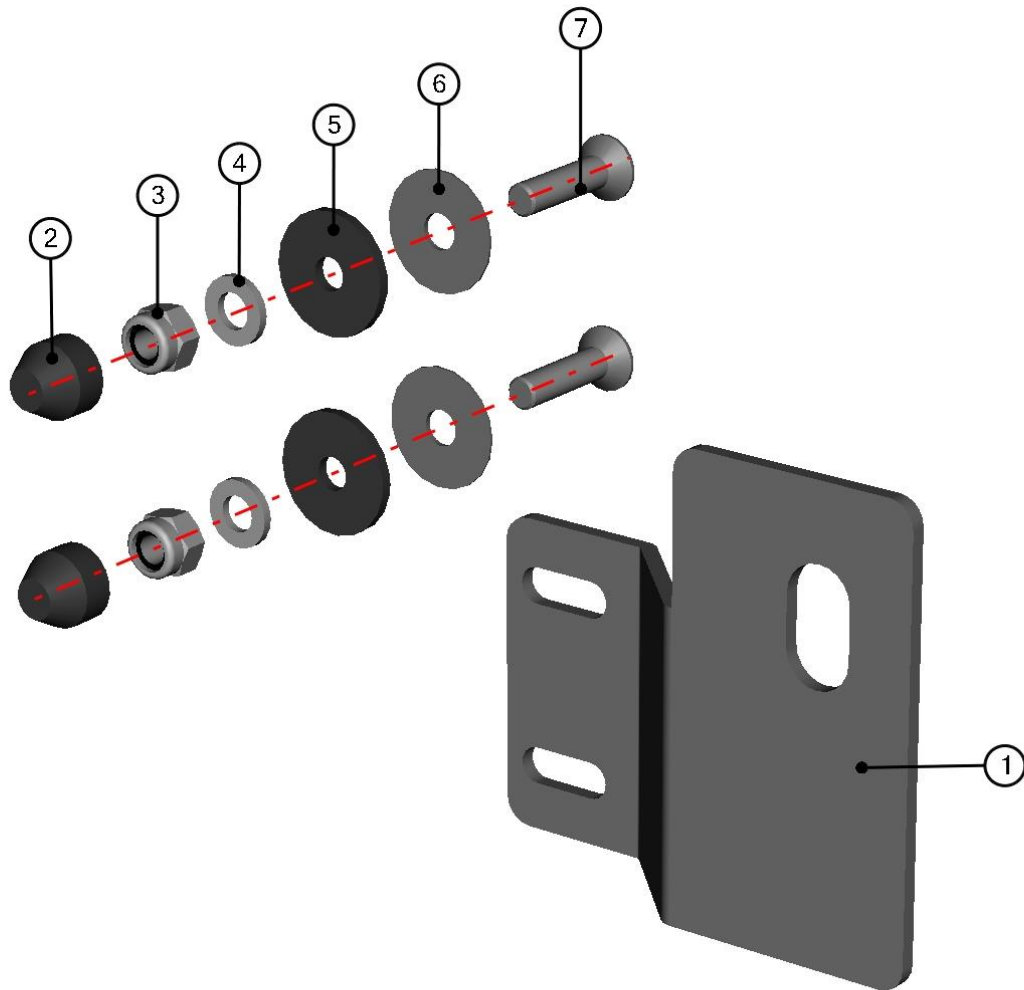


**RIGHT BOTTOM HOLDER ASSEMBLY**



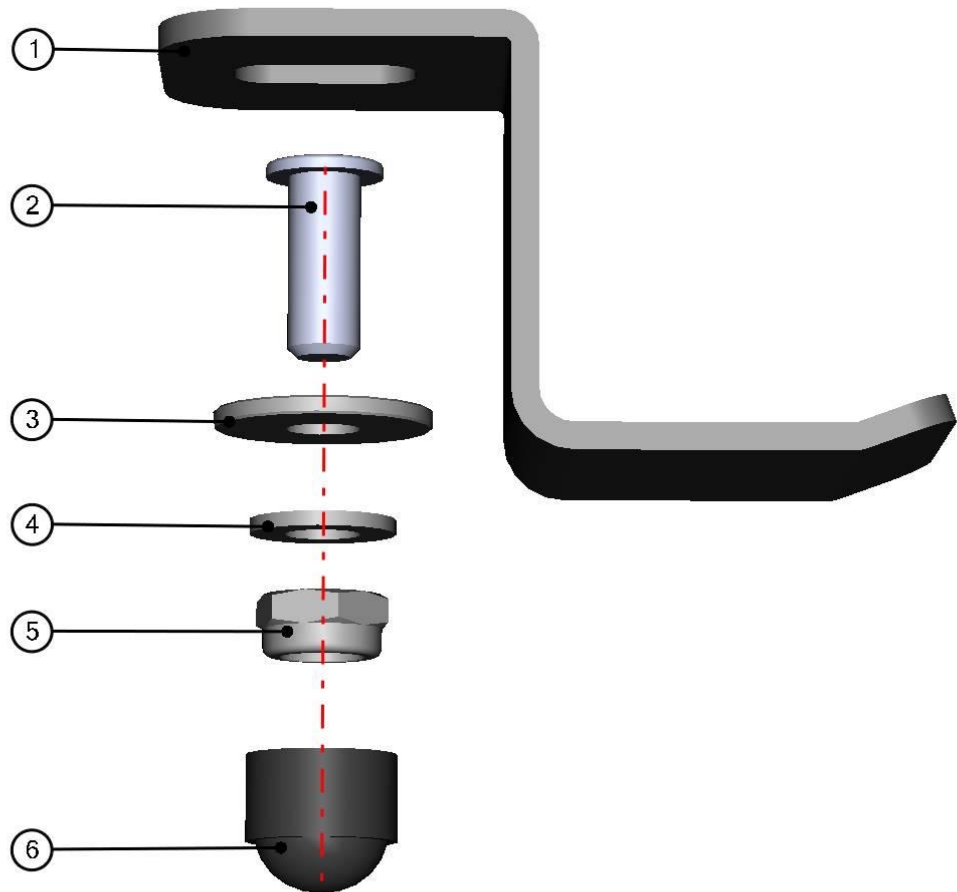
ID	Catalogue no.	Description	Qty
1	41S04U01-20-011	REAR PANEL RIGHT BOTTOM HOLDER	1
2	001348	PLASTIC NUT COVER OK 10	2
3	001392	SELF-LOCKING NUT M6	2
4	001426	WASHER 6	2
5	001735	RUBBER WASHER EPDM	2
6	001715	PLASTIC WASHER	2
7	002120	SCREW M6x25	2

**LEFT BOTTOM HOLDER ASSEMBLY**



ID	Catalogue no.	Description	Qty
1	41S04U01-20-012	LEFT BOTTOM REAR PANEL HOLDER	1
2	001348	PLASTIC NUT COVER OK 10	2
3	001392	SELF-LOCKING NUT M6	2
4	001426	WASHER 6	2
5	001735	RUBBER WASHER EPDM	2
6	001715	PLASTIC WASHER	2
7	002120	SCREW M6x25	2

CENTRAL HOLDER ASSEMBLY



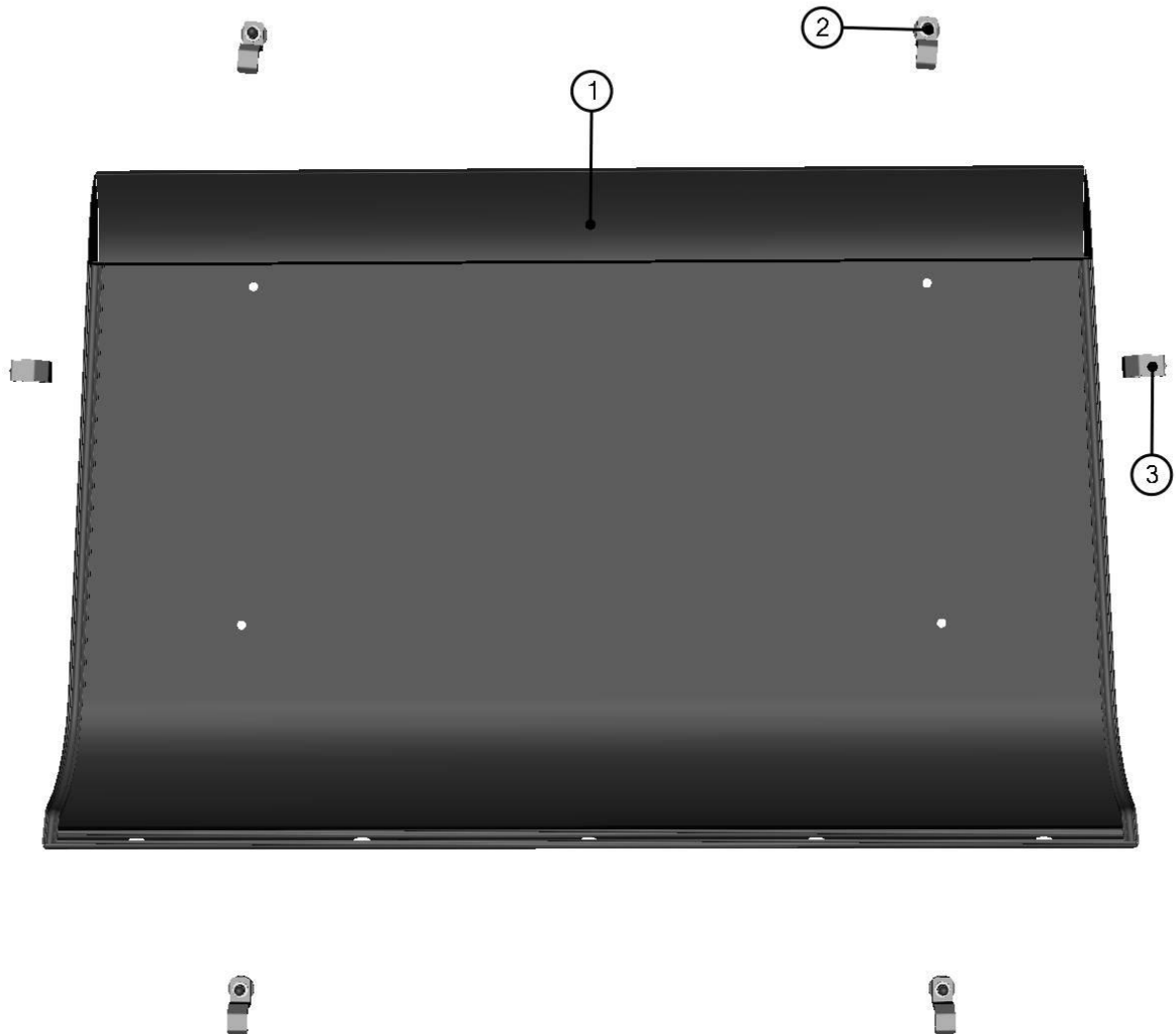
ID	Catalogue no.	Description	Qty
1	41S04U01-20-019	REAR PANEL CENTRAL HOLDER	1
2	003555	SCREW M8x20	1
3	001407	RIVET WASHER 8	1
4	001387	WASHER 8	1
5	001388	SELF-LOCKING NUT M8	1
6	001309	PLASTIC NUT COVER OK 13	1

ROOF PANEL



28

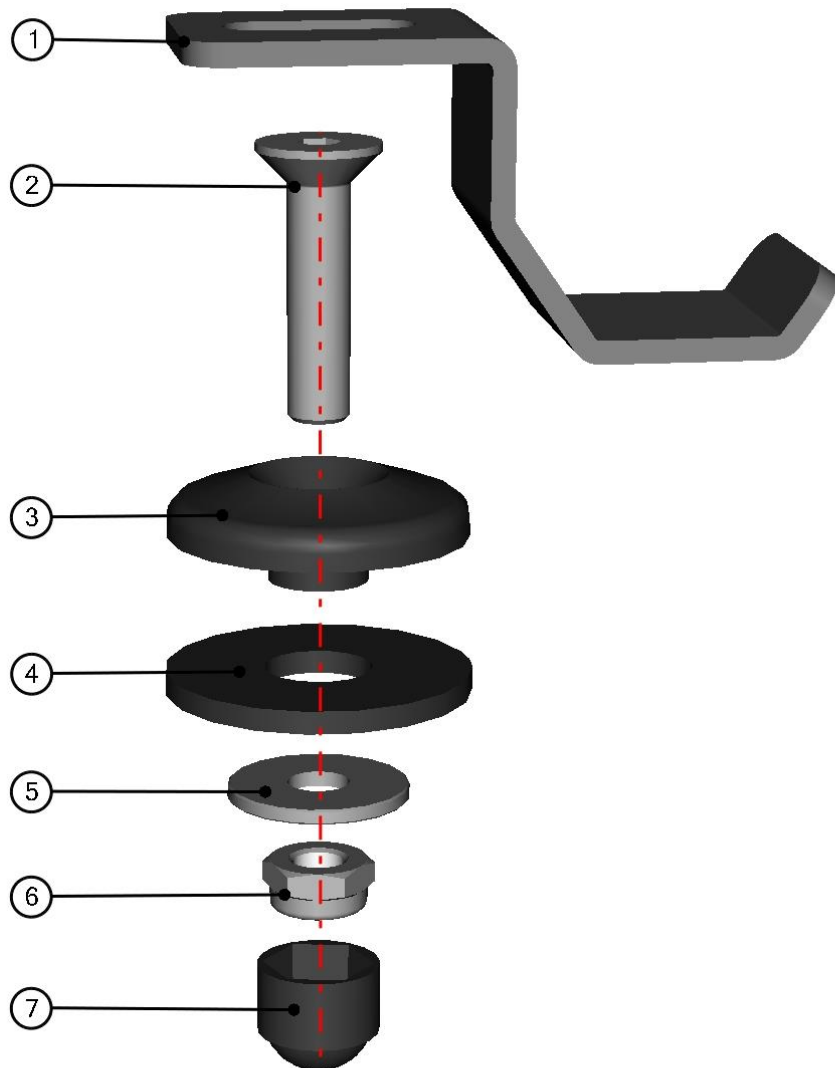
ROOF PANEL ASSEMBLIES



29

ID	Catalogue no.	Description	Qty
1	41S04U01-30W001	ROOF PANEL WELDED	1
2	41S04U01-30M001	ROOF PANEL HOLDER ASSEMBLY	4
3	41S04U01-30M002	SIDE ROOF PANEL HOLDER ASSEMBLY	2

ROOF PANEL HOLDER ASSEMBLY



ID	Catalogue no.	Description	Qty
1	41S04U01-30-003	ROOF PANEL HOLDER	1
2	001760	SCREW M8x35	1
3	001429	PLASTIC NOG	1
4	001428	RUBBER WASHER EPDM	1
5	001407	RIVET WASHER 8	1
6	001388	SELF-LOCKING NUT M8	1
7	001309	PLASTIC NUT COVER OK 13	1

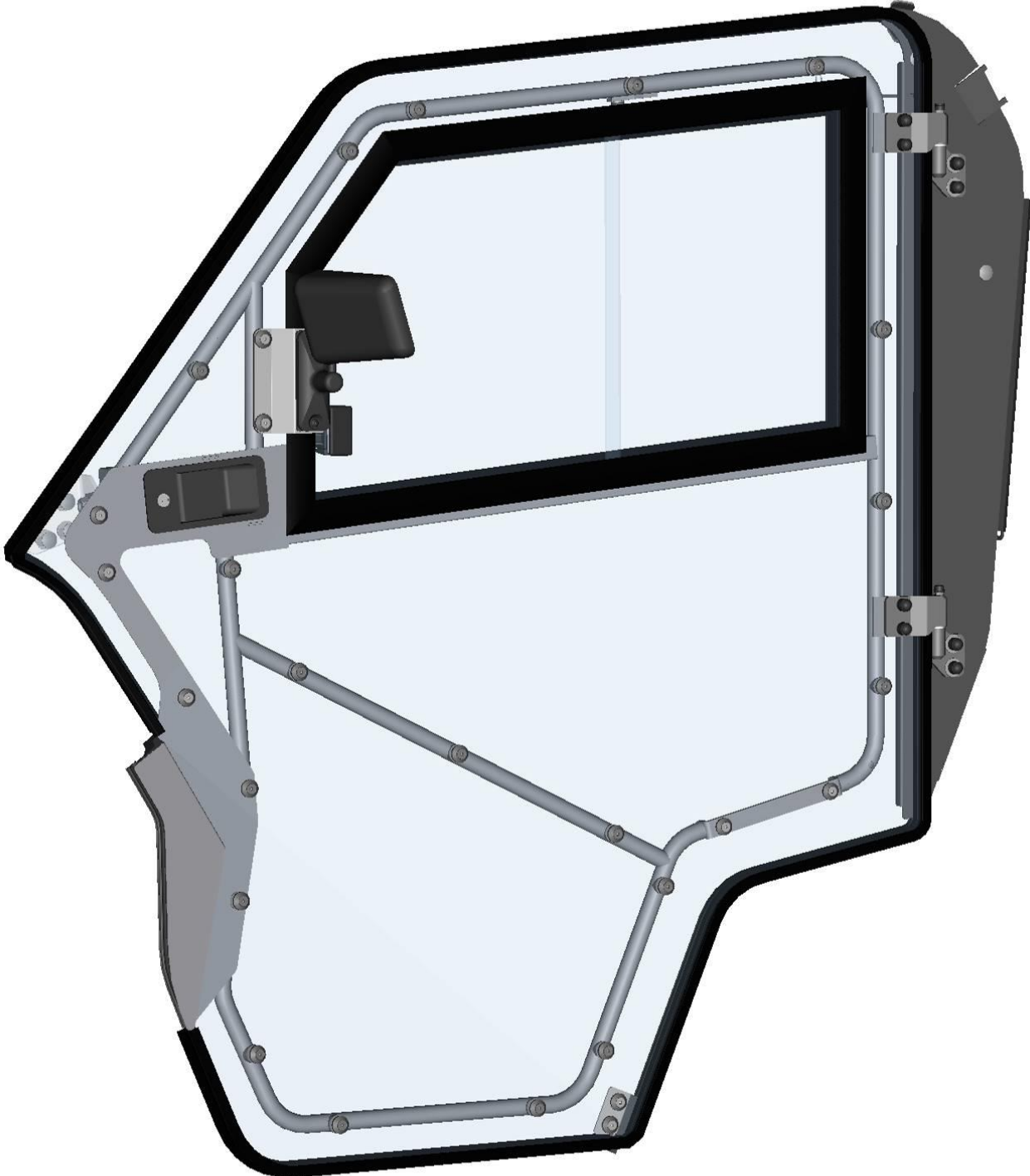
30

SIDE ROOF PANEL HOLDER ASSEMBLY



ID	Catalogue no.	Description	Qty
1	41S04U01-30-006	SIDE ROOF PANEL HOLDER	1
2	001348	PLASTIC NUT COVER OK 10	1
3	001392	SELF-LOCKING NUT M6	1
4	001426	WASHER 6	1
5	002508	SCREW M6x12	1

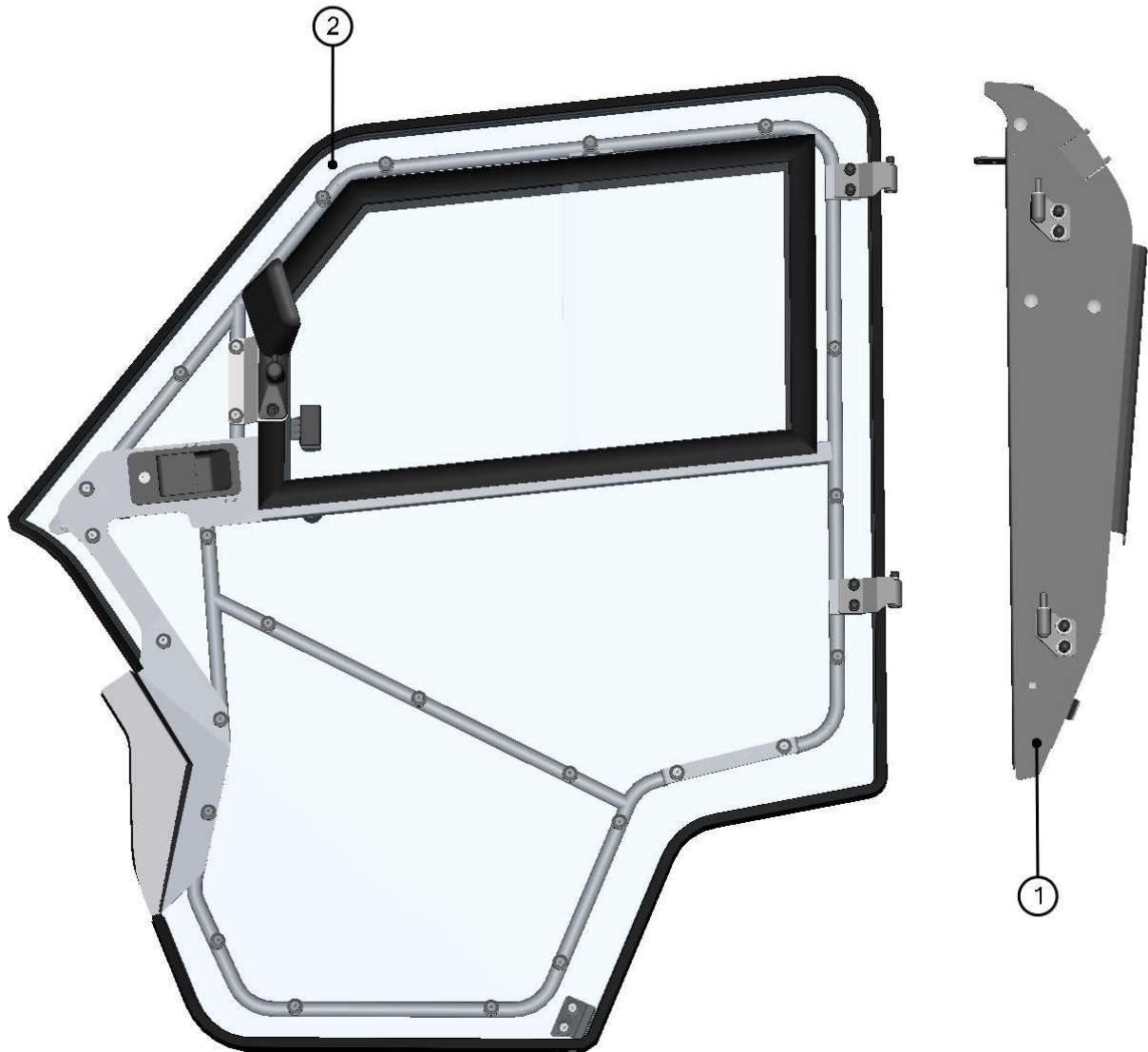
LEFT DOOR



32



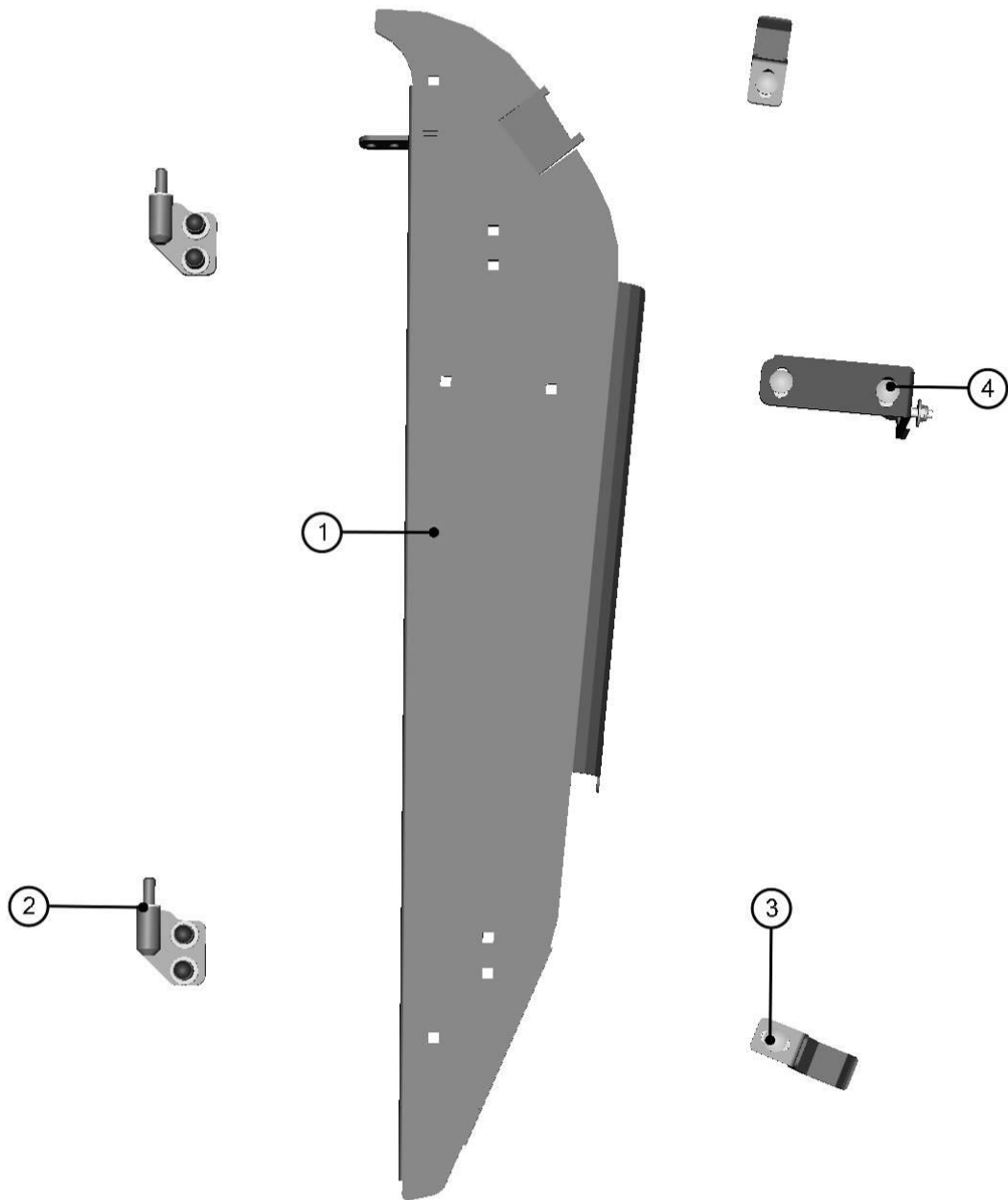
LEFT DOOR ASSEMBLIES



33

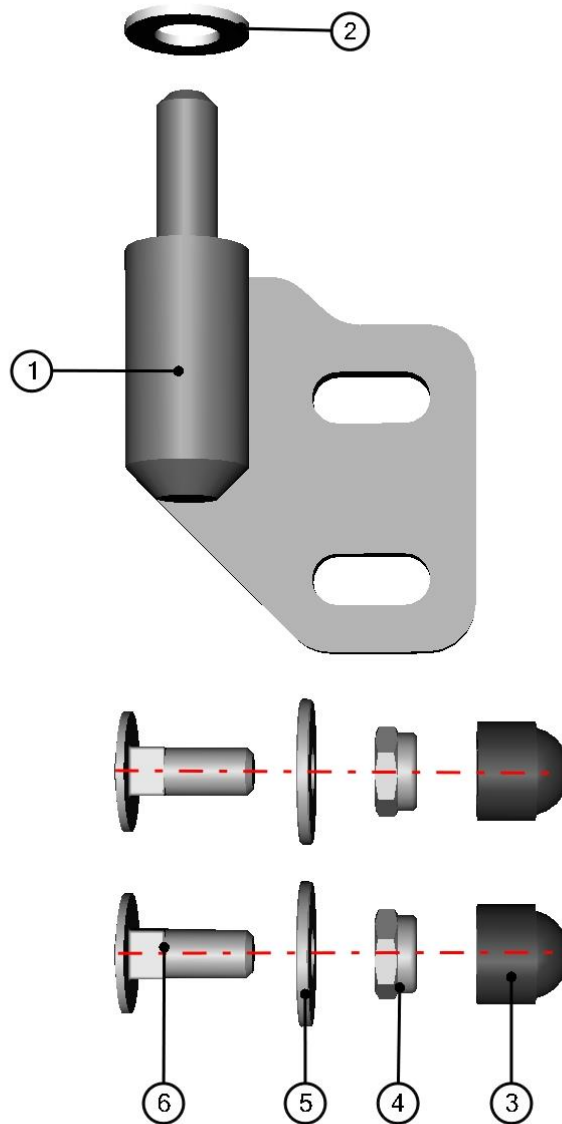
ID	Catalogue no.	Description	Qty
1	41S04U01-40M002	LEFT DOOR BASE ASSEMBLY	1
2	41S04U01-40M003	LEFT DOOR ASSEMBLY	1

**LEFT DOOR BASE ASSEMBLY**



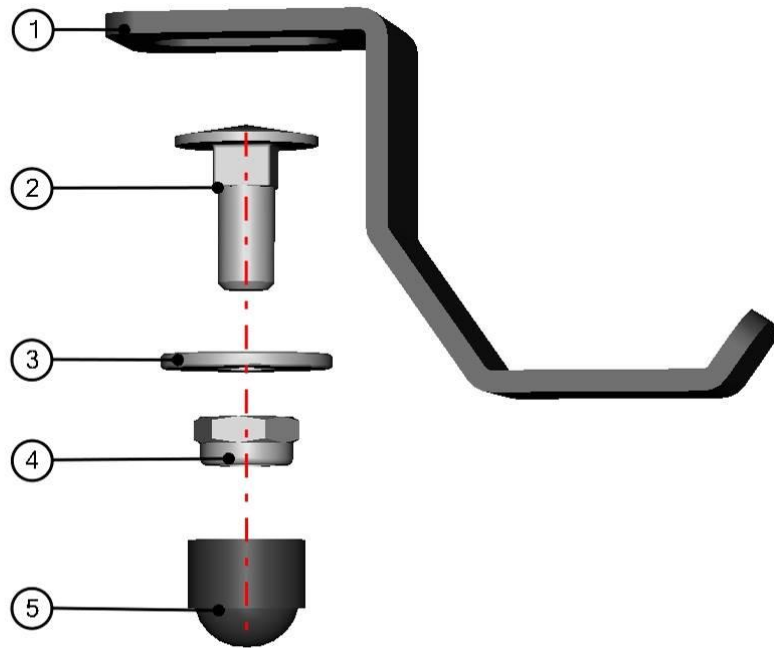
ID	Catalogue no.	Description	Qty
1	41S04U01-40W003	LEFT DOOR BASE WELDED	1
2	41S04U01-40M004	LEFT DOOR BASE HINGE ASSEMBLY	2
3	41S04U01-10M004	DOOR BASE HOLDER ASSEMBLY	2
4	41S04U01-40M005	MIDDLE LEFT DOOR BASE HOLDER ASSEMBLY	1

LEFT DOOR BASE HINGE ASSEMBLY



ID	Catalogue no.	Description	Qty
1	00-105U-W002	LEFT DOOR BASE HINGE WELDED	1
2	001485	WASHER 10	1
3	001309	PLASTIC NUT COVER OK 13	2
4	001388	SELF-LOCKING NUT M8	2
5	001407	RIVET WASHER 8	2
6	002575	SCREW M8x20	2

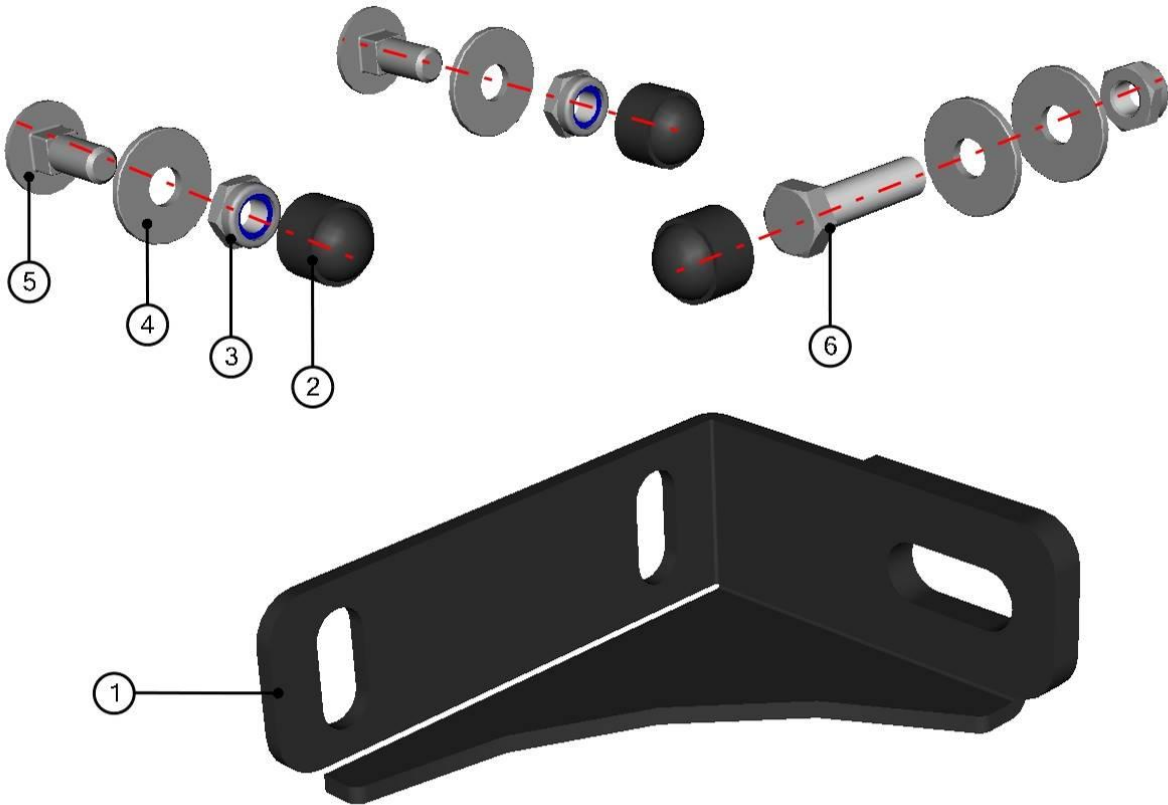
DOOR BASE HOLDER ASSEMBLY



36

ID	Catalogue no.	Description	Qty
1	41S04U01-10-004	DOOR BASE HOLDER	1
2	002575	SCREW M8x20	1
3	001407	RIVET WASHER 8	1
4	001388	SELF-LOCKING NUT M8	1
5	001309	PLASTIC NUT COVER OK 13	1

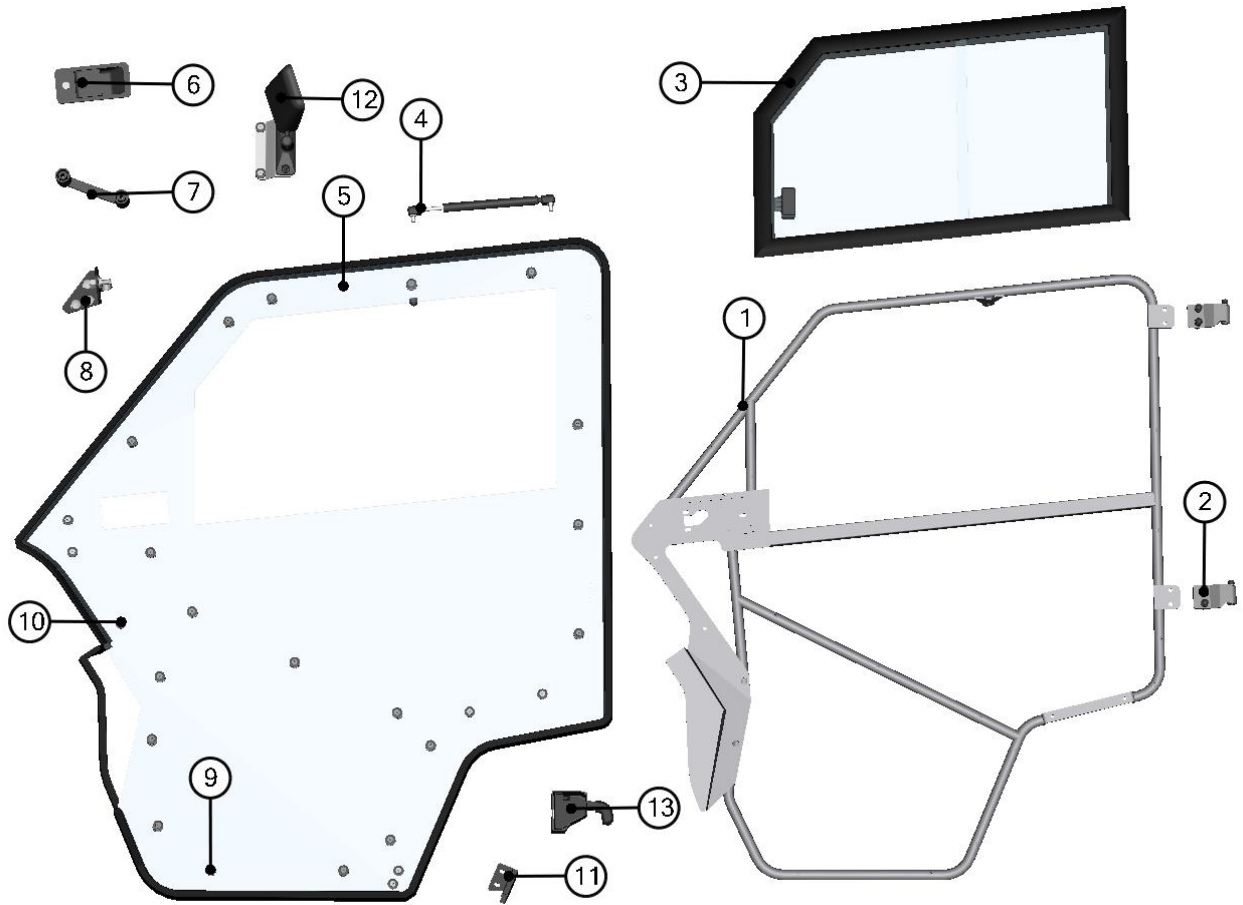
MIDDLE LEFT DOOR BASE HOLDER ASSEMBLY



37

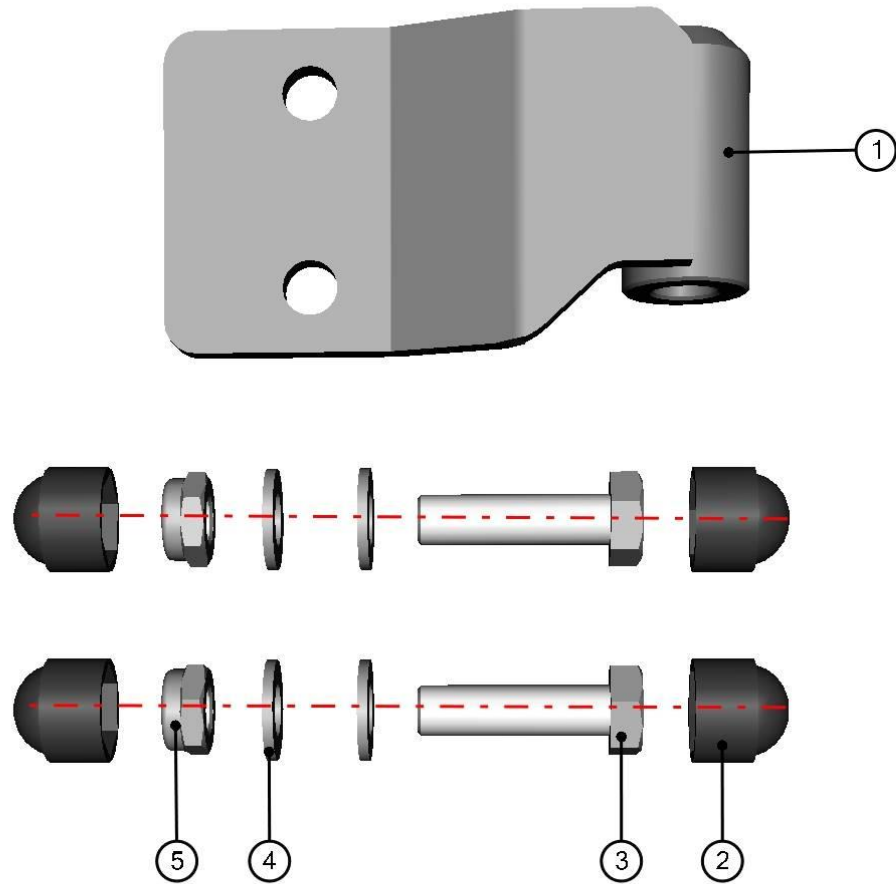
ID	Catalogue no.	Description	Qty
1	41S04U01-40W004	MIDDLE RIGHT DOOR BASE HOLDER WELDED	1
2	001309	PLASTIC NUT COVER OK 13	3
3	001388	SELF-LOCKING NUT M8	3
4	001407	RIVET WASHER 8	4
5	002575	SCREW M8x20	2
6	001411	SCREW M8x30	1

**LEFT DOOR ASSEMBLY**



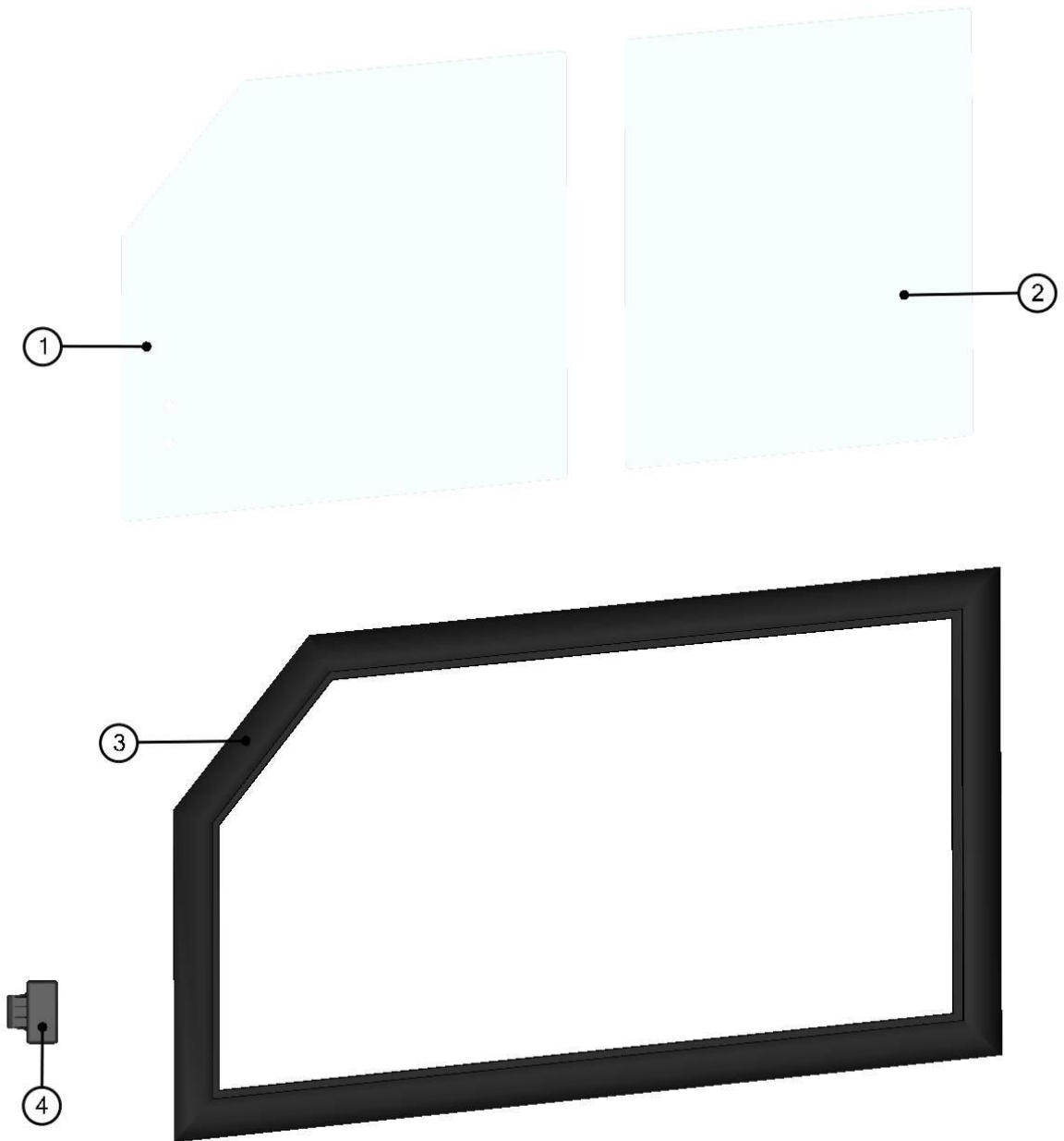
ID	Catalogue no.	Description	Qty
1	41S04U01-40W001	LEFT DOOR FRAME WELDED	1
2	00-105U-M004	LEFT DOOR HINGE ASSEMBLY	2
3	41S04U01-40M001	LEFT WINDOW ASSEMBLY	1
4	000865	DOOR GAS SPRING ASSEMBLY	1
5	41S04U01-40-001	DOOR POLYCARBONATE	1
6	000841	OUTER DOOR LOCK	1
7	001703	DOOR HANDLE	1
8	41S04U01-40M006	LEFT DOOR STOP ASSEMBLY	1
9	00-00M003	POLYCARBONATE FIXING ASSEMBLY	19
10	*****	FRAME FIXING ASSEMBLY	7
11	41S04U01-40M009	LEFT DOOR SEALING LEDGE ASSEMBLY	1
12	00-109U-M003	LEFT REAR VIEW MIRROR ASSEMBLY	1
13	00-40M019	INNER DOOR LOCK	1

LEFT DOOR HINGE ASSEMBLY



ID	Catalogue no.	Description	Qty
1	00-105U-W004	LEFT DOOR HINGE WELDED	1
2	001309	PLASTIC NUT COVER OK 13	4
3	001411	SCREW M8x30	2
4	001387	WASHER 8	4
5	001388	SELF-LOCKING NUT M8	2

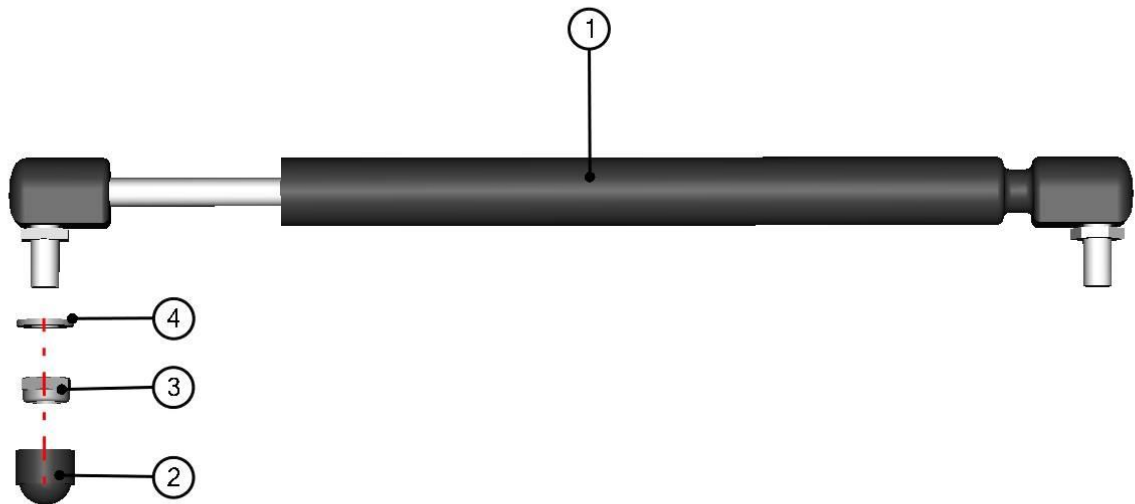
LEFT WINDOW ASSEMBLY



ID	Catalogue no.	Description	Qty
1	41S04U01-40-016	WINDOW GLASS MOVABLE	1
2	41S04U01-40-017	WINDOW GLASS SOLID	1
3	41S04U01-40-008	LEFT WINDOW FRAME	1
4	00-40M008	WINDOW LOCK	1



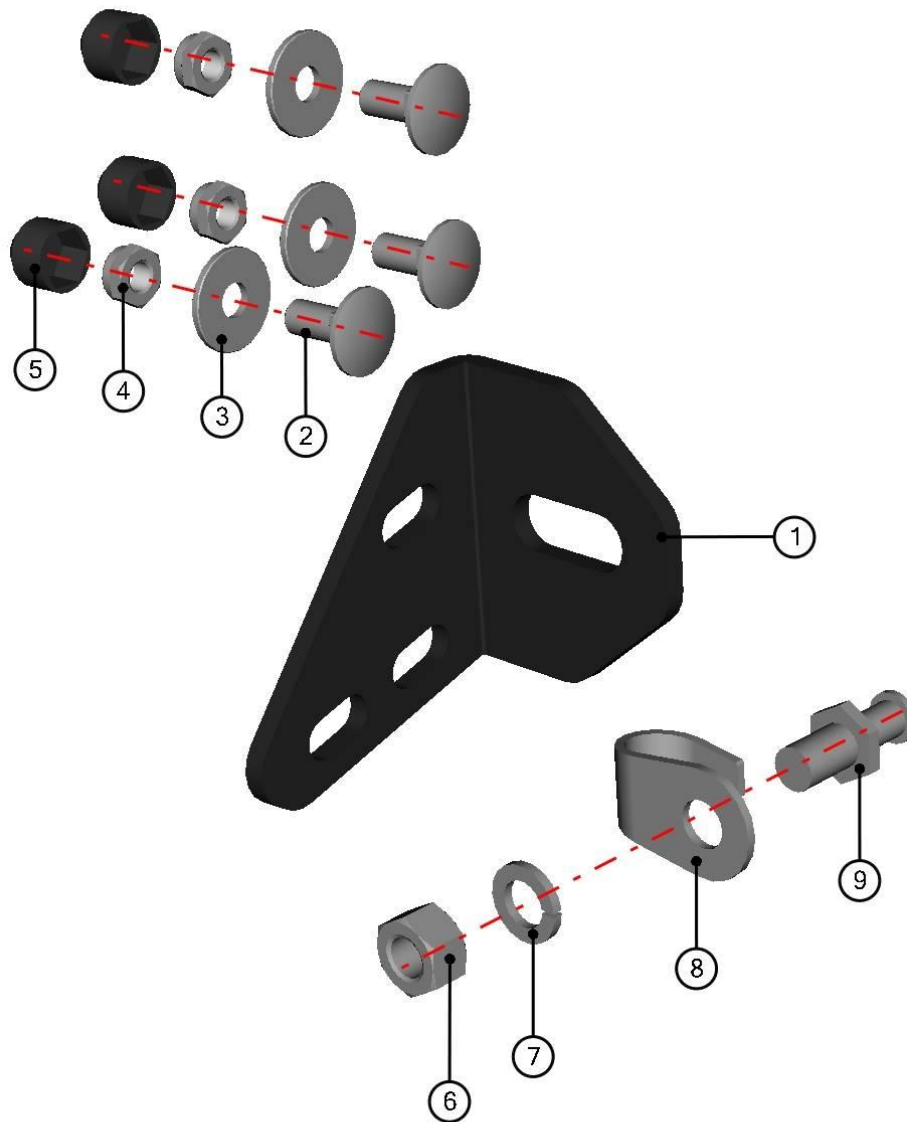
DOOR GAS SPRING ASSEMBLY



41

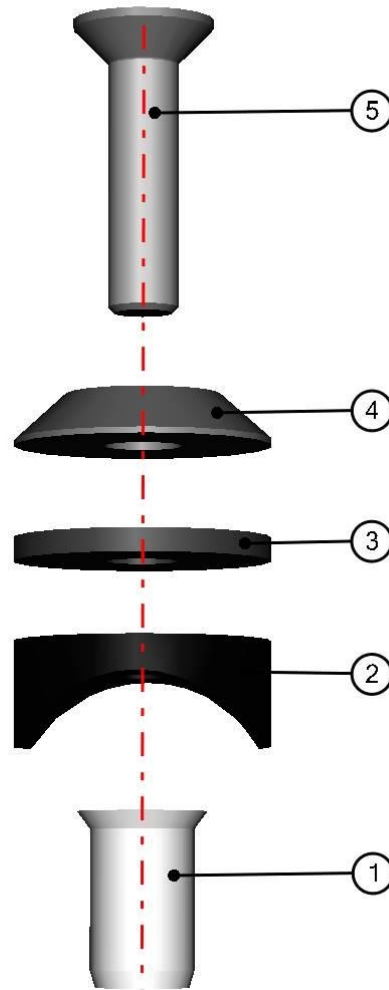
ID	Catalogue no.	Description	Qty
1	000865	DOOR GAS SPRING	1
2	001309	PLASTIC NUT COVER OK 13	1
3	001388	SELF-LOCKING NUT M8	1
4	001387	WASHER 8	1

LEFT DOOR STOP ASSEMBLY



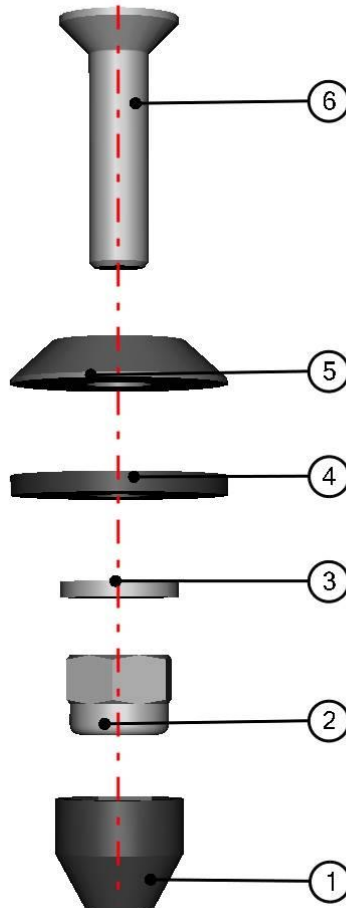
ID	Catalogue no.	Description	Qty
1	41S04U01-40-022	LEFT DOOR STOP HOLDER	1
2	002575	SCREW M8x20	3
3	001407	RIVET WASHER 8	3
4	001388	SELF-LOCKING NUT M8	3
5	001309	PLASTIC NUT COVER OK 13	3
6	000856	DOOR STOP NUT	1
7	000857	DOOR STOP WASHER	1
8	000855	DOOR STOP HOOK	1
9	000854	DOOR STOP PIN	1

**POLYCARBONATE FIXING ASSEMBLY**



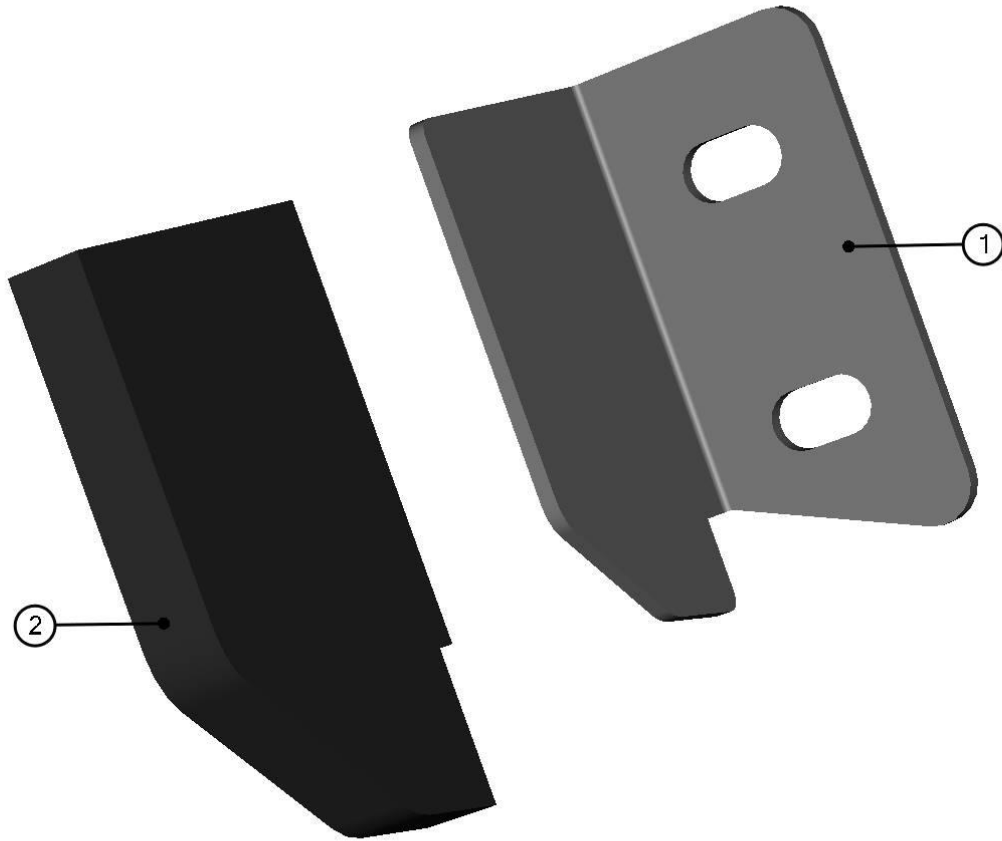
ID	Catalogue no.	Description	Qty
1	001397	RIVET NUT M6	1
2	001736	SADDLE WASHER	1
3	001735	RUBBER WASHER EPDM	1
4	001715	PLASTIC WASHER	1
5	002120	SCREW M6x30	1

**FRAME FIXING ASSEMBLY**



ID	Catalogue no.	Description	Qty
1	001348	PLASTIC NUT COVER OK 10	1
2	001392	SELF-LOCKING NUT M6	1
3	001426	WASHER 6	1
4	001735	RUBBER WASHER EPDM	1
5	001715	PLASTIC WASHER	1
6	001432	SCREW M6x30	1

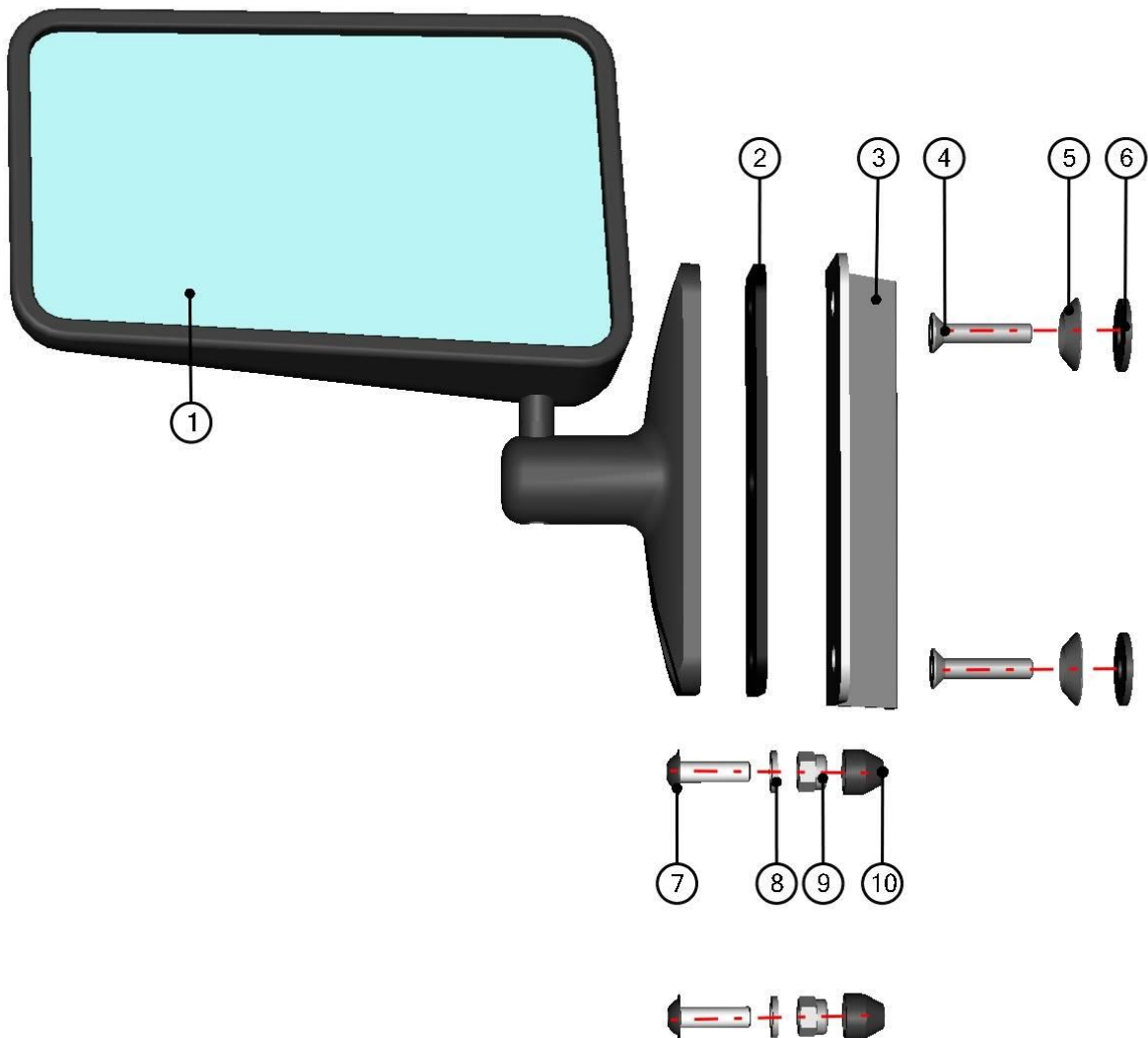
LEFT DOOR SEALING LEDGE ASSEMBLY



45

ID	Catalogue no.	Description	Qty
1	41S04U01-40-027	LEFT DOOR SEALING LEDGE	1
2	41S04U01-40-028	DOOR SEALING EPDM	1

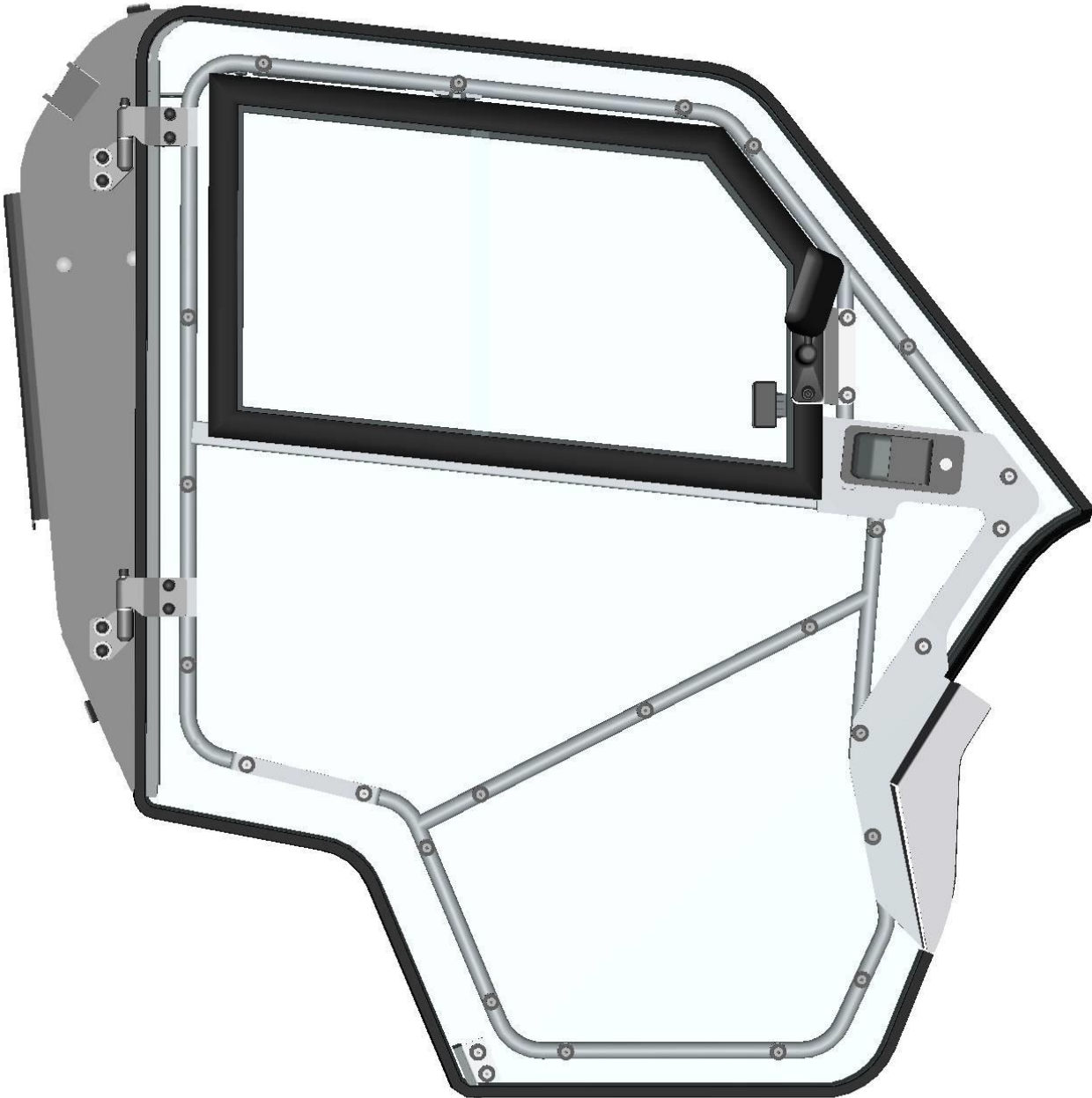
LEFT REAR VIEW MIRROR ASSEMBLY



46

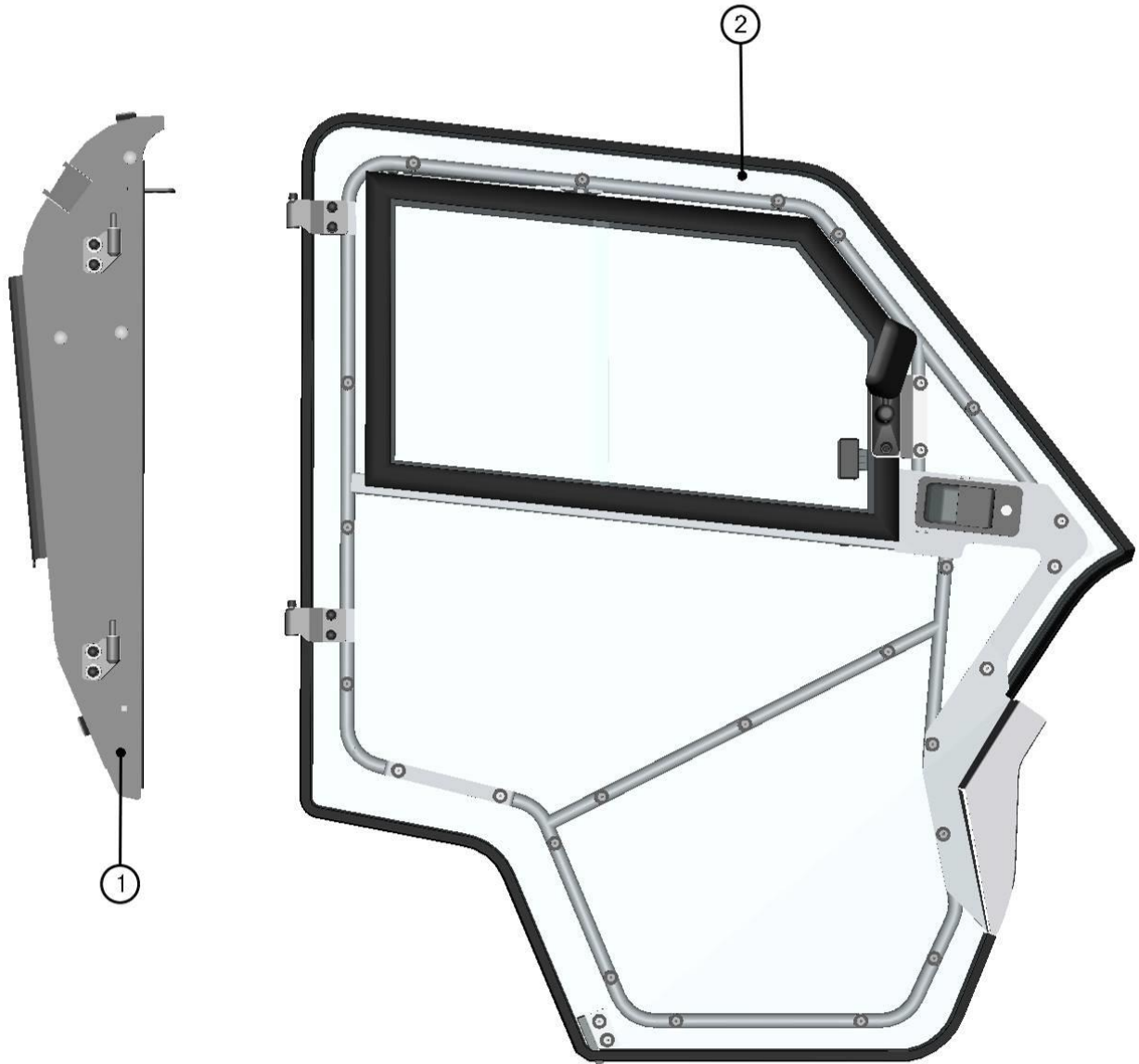
ID	Catalogue no.	Description	Qty
1	002773	LEFT REAR VIEW MIRROR	1
2	00-109U-001	REAR VIEW MIRROR RUBBER WASHER	1
3	00-109U-002	REAR VIEW MIRROR HOLDER	1
4	001701	SCREW M6x30	2
5	001715	PLASTIC WASHER	2
6	001735	RUBBER WASHER	2
7	001723	SCREW M6x20	2
8	001426	WASHER 6	2
9	001392	SELF-LOCKING NUT M6	2
10	001348	PLASTIC NUT COVER OK 10	2

RIGHT DOOR



47

**RIGHT DOOR ASSEMBLIES**

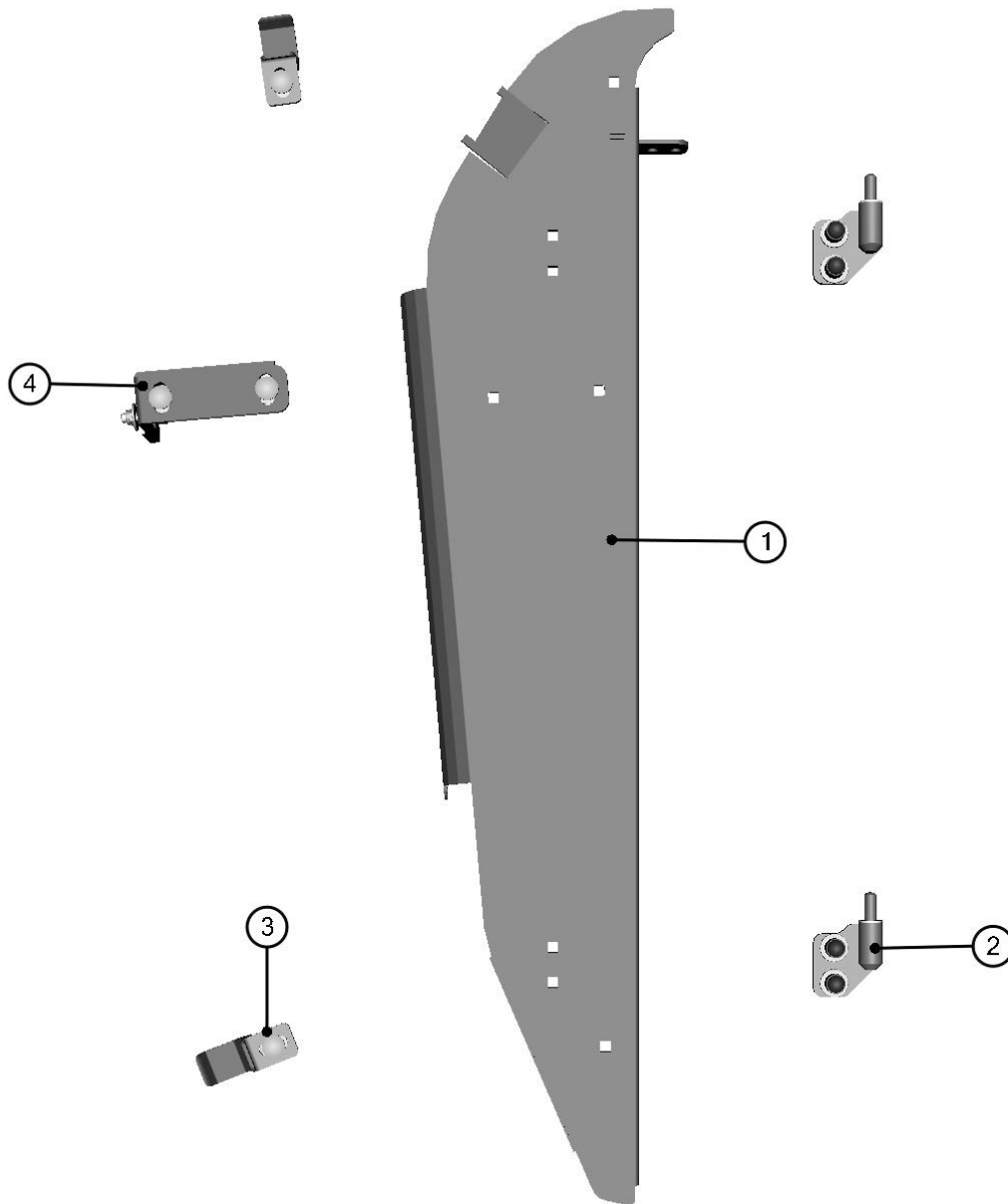


48

ID	Catalogue no.	Description	Qty
1	41S04U01-50M002	RIGHT DOOR BASE ASSEMBLY	1
2	41S04U01-50M003	RIGHT DOOR ASSEMBLY	1

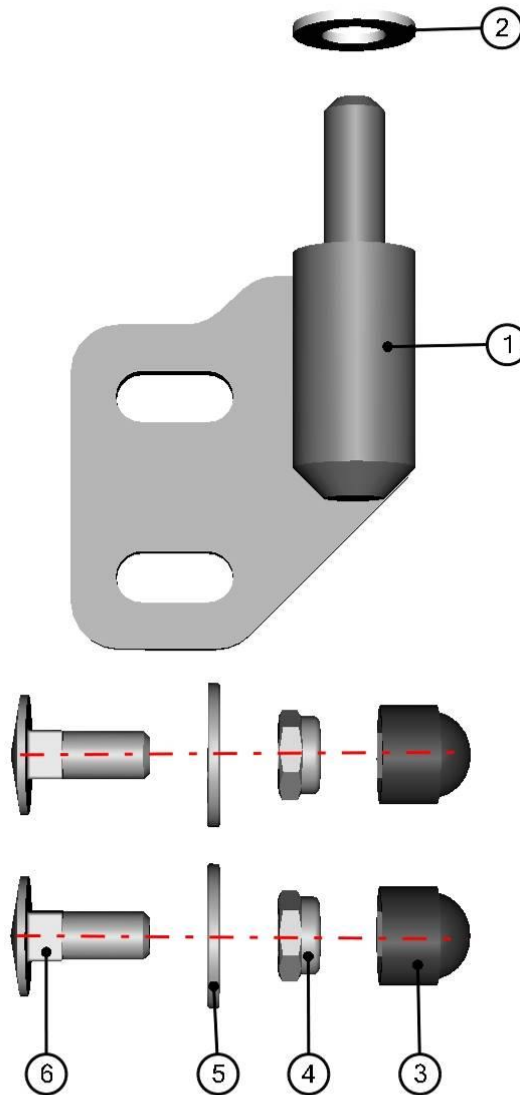


RIGHT DOOR BASE ASSEMBLY



ID	Catalogue no.	Description	Qty
1	41S04U01-50W003	RIGHT DOOR BASE WELDED	1
2	41S04U01-50M004	RIGHT DOOR BASE ASSEMBLY	2
3	41S04U01-10M004	DOOR BASE HOLDER ASSEMBLY	2
4	41S04U01-50M005	MIDDLE RIGHT DOOR BASE HOLDER ASSEMBLY	1

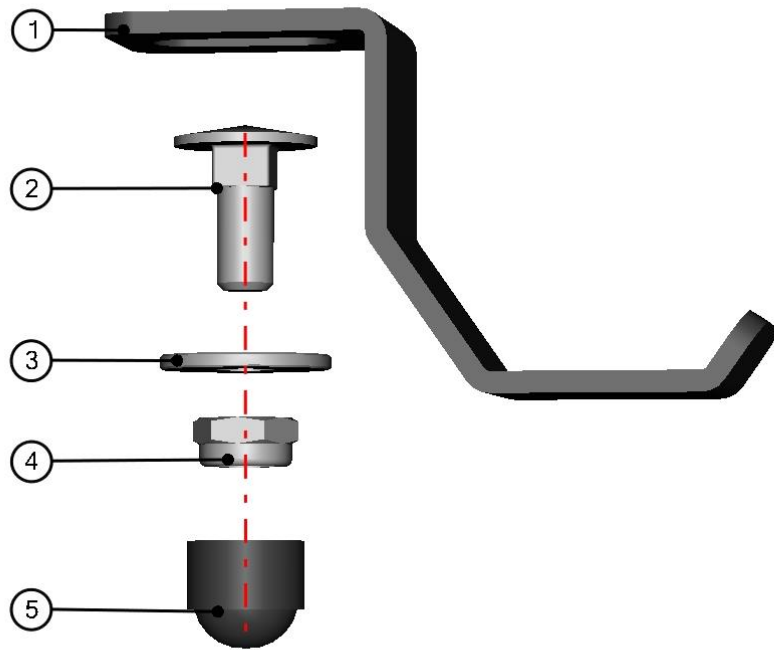
**RIGHT DOOR BASE HINGE ASSEMBLY**



50

ID	Catalogue no.	Description	Qty
1	00-105U-W001	RIGHT DOOR BASE HINGE WELDED	1
2	001485	WASHER 10	1
3	001309	PLASTIC NUT COVER OK 13	2
4	001388	SELF-LOCKING NUT M8	2
5	001407	RIVET WASHER 8	2
6	002575	SCREW M8x20	2

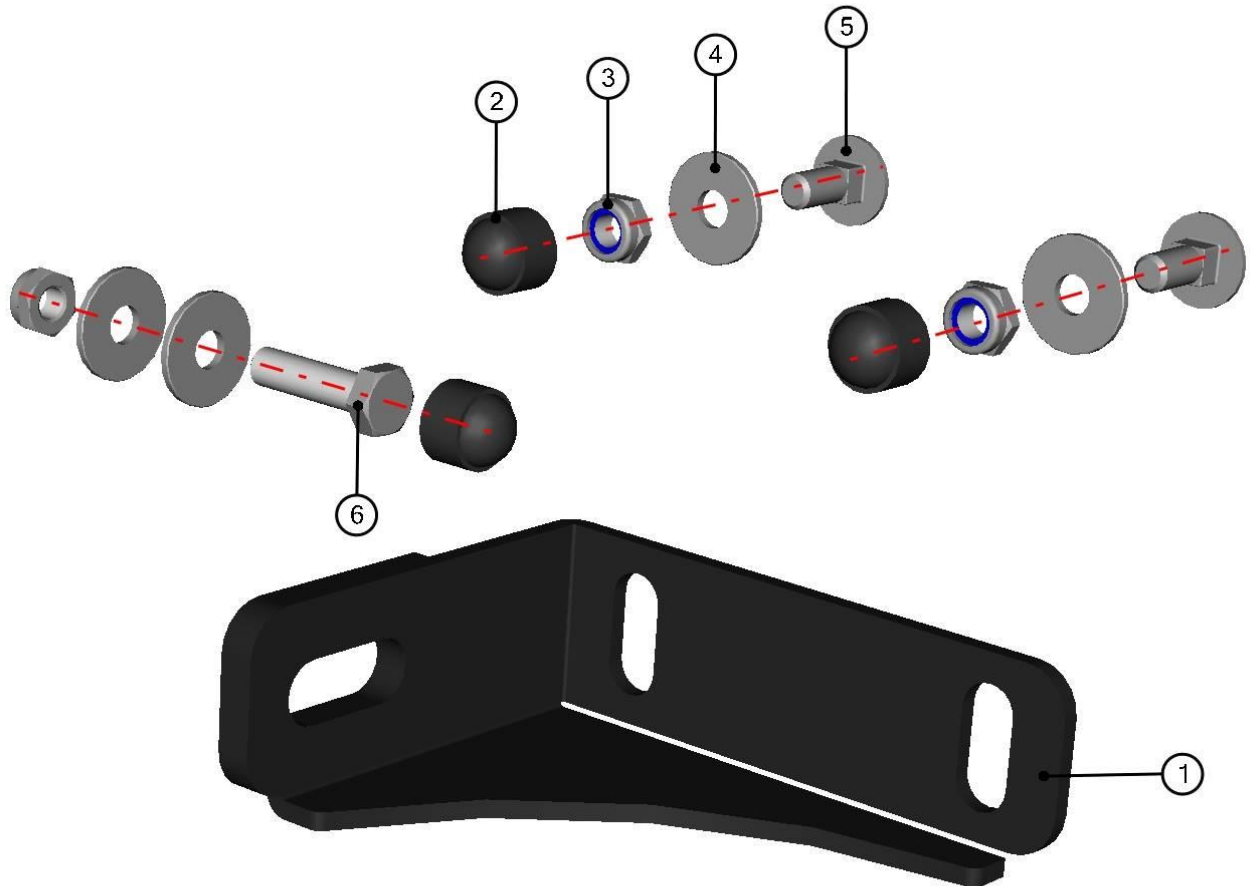
DOOR BASE HOLDER ASSEMBLY



51

ID	Catalogue no.	Description	Qty
1	41S04U01-10-004	DOOR BASE HOLDER	1
2	002575	SCREW M8x20	1
3	001407	RIVET WASHER 8	1
4	001388	SELF-LOCKING NUT M8	1
5	001309	PLASTIC NUT COVER OK 13	1

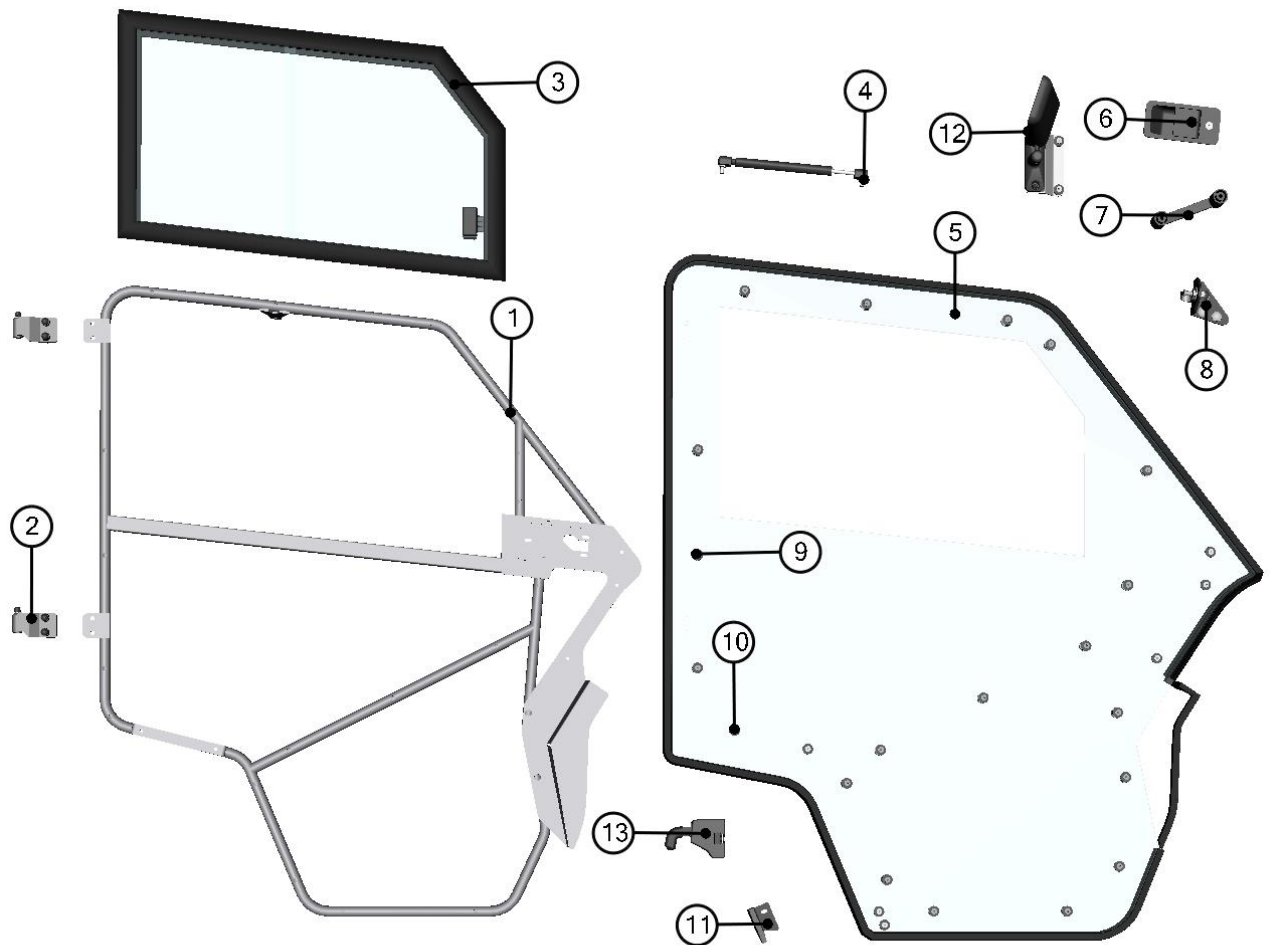
MIDDLE RIGHT DOOR BASE HOLDER ASSEMBLY



52

ID	Catalogue no.	Description	Qty
1	41S04U01-50W004	MIDDLE RIGHT DOOR BASE HOLDER WELDED	1
2	001309	PLASTIC NUT COVER OK 13	3
3	001388	SELF-LOCKING NUT M8	3
4	001407	RIVET WASHER 8	4
5	002575	SCREW M8x20	2
6	001411	SCREW M8x30	1

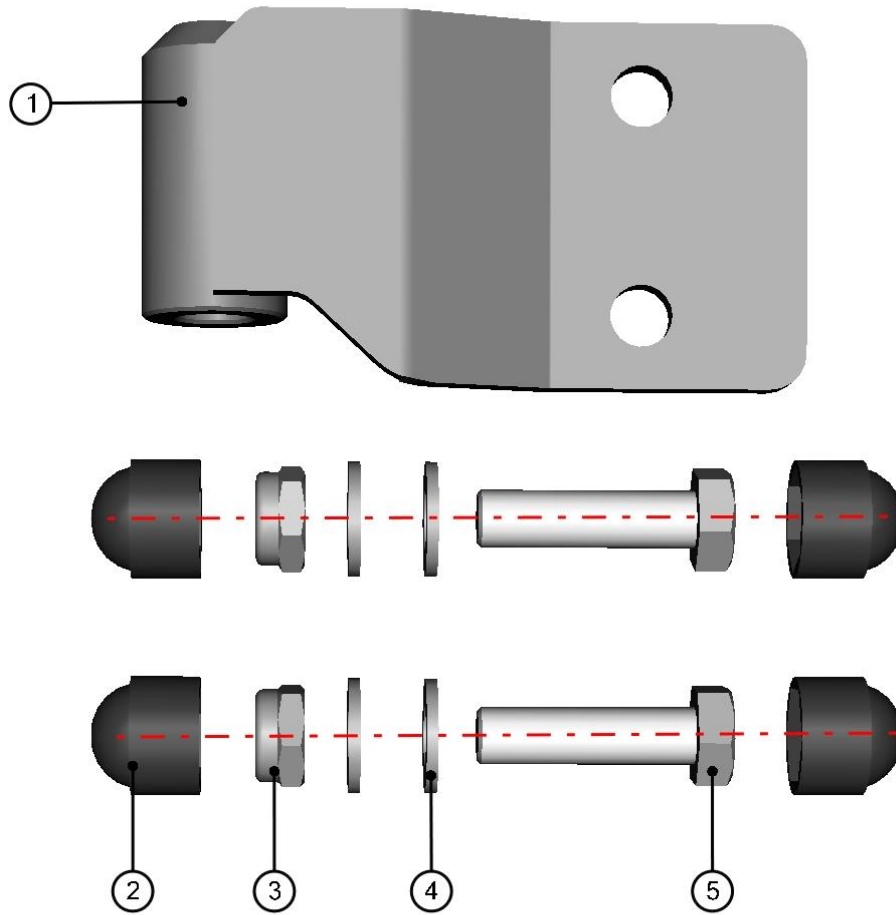
**RIGHT DOOR ASSEMBLY**



53

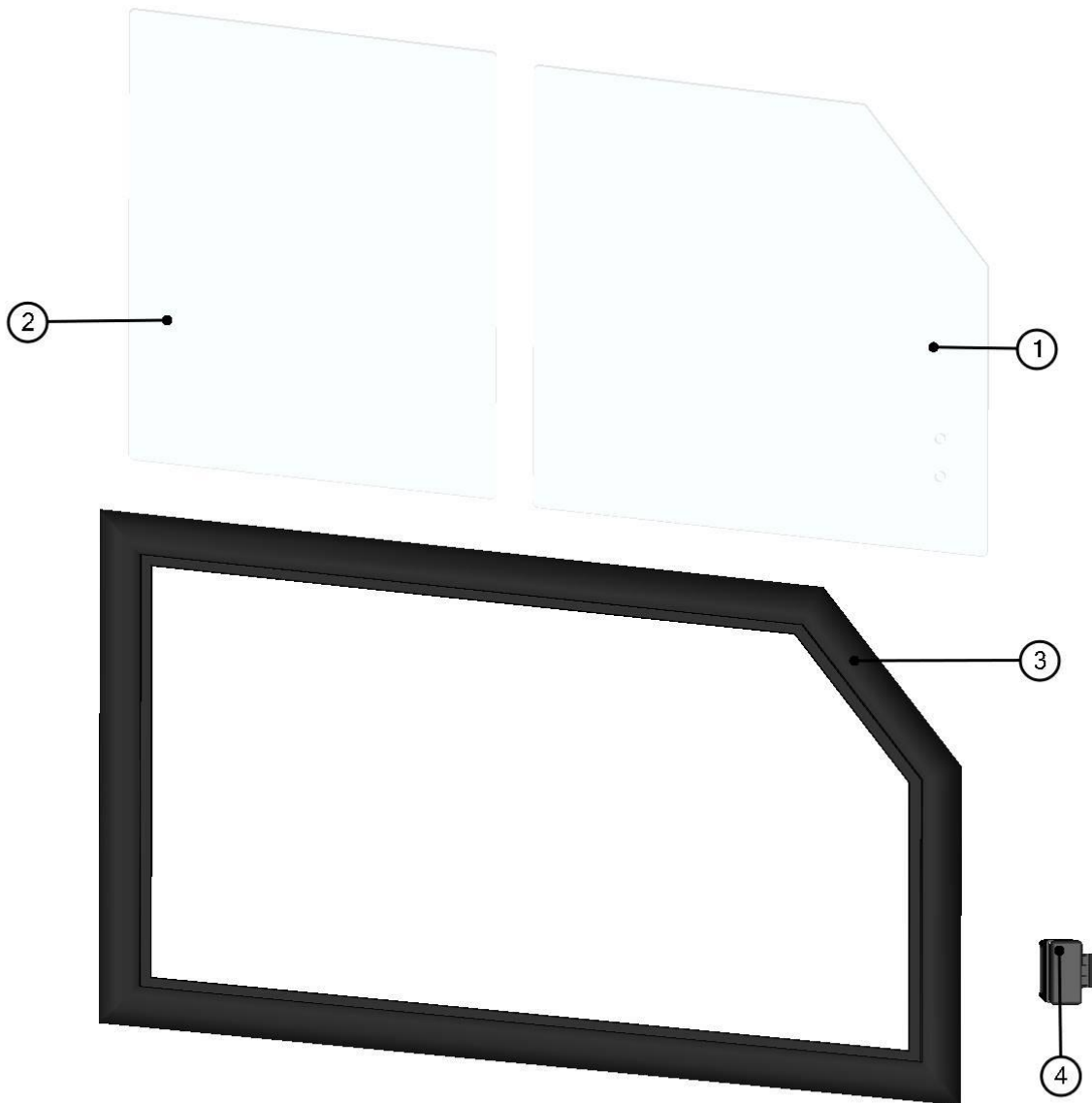
ID	Catalogue no.	Description	Qty
1	41S04U01-50W001	RIGHT DOOR FRAME WELDED	1
2	00-105U-M003	RIGHT DOOR HINGE ASSEMBLY	2
3	41S04U01-50M001	RIGHT WINDOW ASSEMBLY	1
4	000865	DOOR GAS SPRING ASSEMBLY	1
5	41S04U01-40-001	DOOR POLYCARBONATE	1
6	000841	OUTER DOOR LOCK	1
7	001703	DOOR HANDLE	1
8	41S04U01-50M006	RIGHT DOOR STOP ASSEMBLY	1
9	00-00M003	POLYCARBONATE FIXING ASSEMBLY	19
10	*****	FRAME FIXING ASSEMBLY	7
11	41S04U01-50M009	RIGHT DOOR SEALING LEDGE ASSEMBLY	1
12	00-109-M004	RIGHT REAR VIEW MIRROR ASSEMBLY	1
13	00-50M019	INNER DOOR LOCK	1

**RIGHT DOOR HINGE ASSEMBLY**



ID	Catalogue no.	Description	Qty
1	00-105U-W003	RIGHT DOOR HINGE WELDED	1
2	001309	PLASTIC NUT COVER OK 13	4
3	001388	SELF-LOCKING NUT M8	2
4	001387	WASHER 8	4
5	001411	SCREW M8x30	2

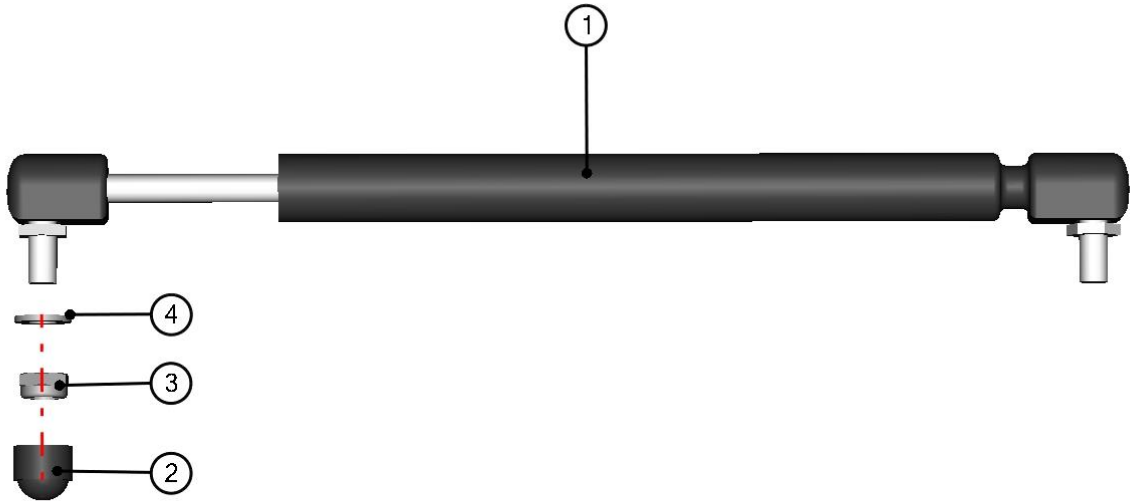
RIGHT WINDOW ASSEMBLY



55

ID	Catalogue no.	Description	Qty
1	41S04U01-40-016	WINDOW GLASS MOVABLE	1
2	41S04U01-40-017	WINDOW GLASS SOLID	1
3	41S04U01-50-008	RIGHT WINDOW FRAME	1
4	00-40M008	WINDOW LOCK	1

DOOR GAS SPRING ASSEMBLY

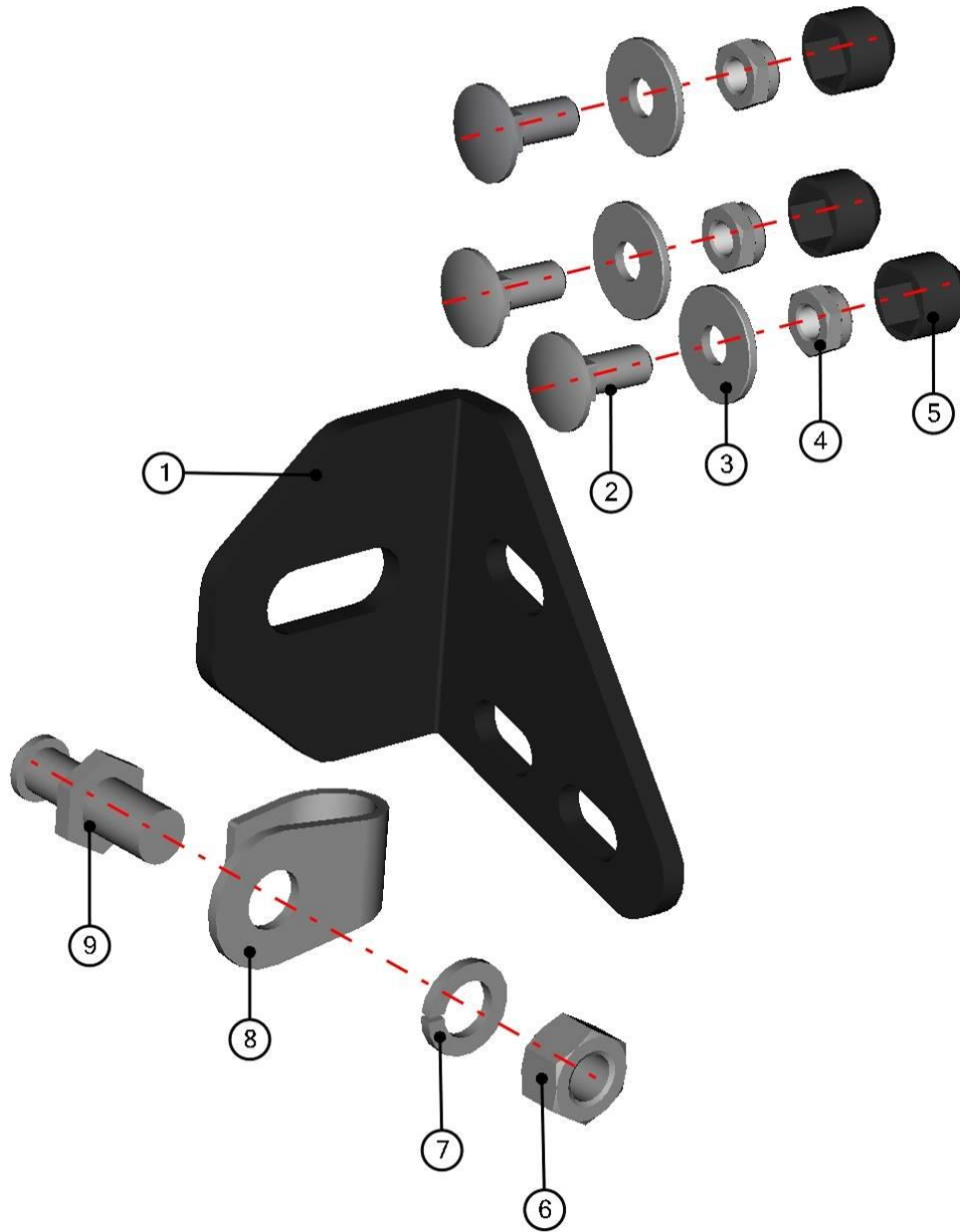


56

ID	Catalogue no.	Description	Qty
1	000865	DOOR GAS SPRING	1
2	001309	PLASTIC NUT COVER OK 13	1
3	001388	SELF-LOCKING NUT M8	1
4	001387	WASHER 8	1

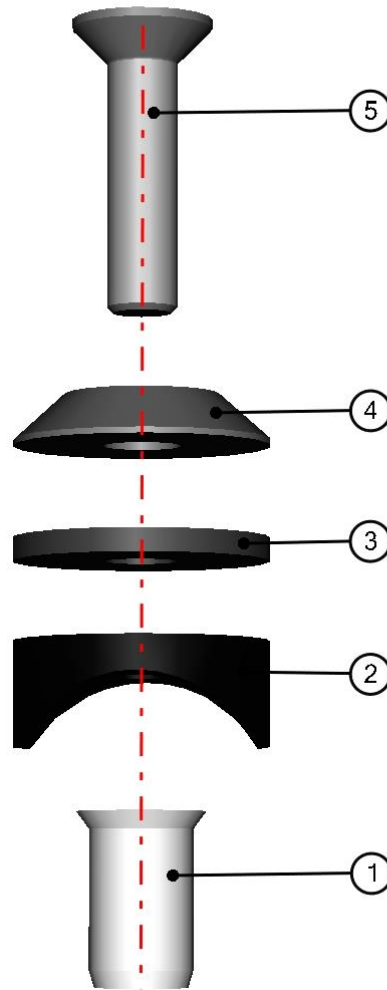


**RIGHT DOOR STOP ASSEMBLY**



ID	Catalogue no.	Description	Qty
1	41S04U01-50-022	RIGHT DOOR STOP HOLDER	1
2	002575	SCREW M8x20	3
3	001407	WASHER 8	3
4	001388	SELF-LOCKING NUT M8	3
5	001309	PLASTIC NUT COVER OK 13	3
6	000856	DOOR STOP NUT	1
7	000857	DOOR STOP WASHER	1
8	000855	DOOR STOP HOOK	1
9	000854	DOOR STOP PIN	1

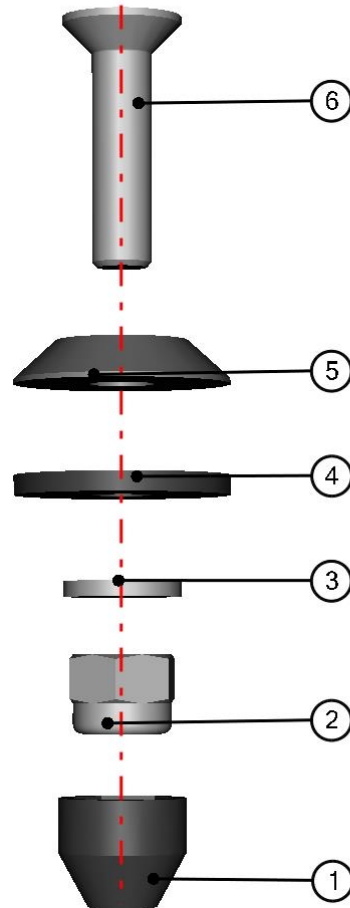
**POLYCARBONATE FIXING ASSEMBLY**



58

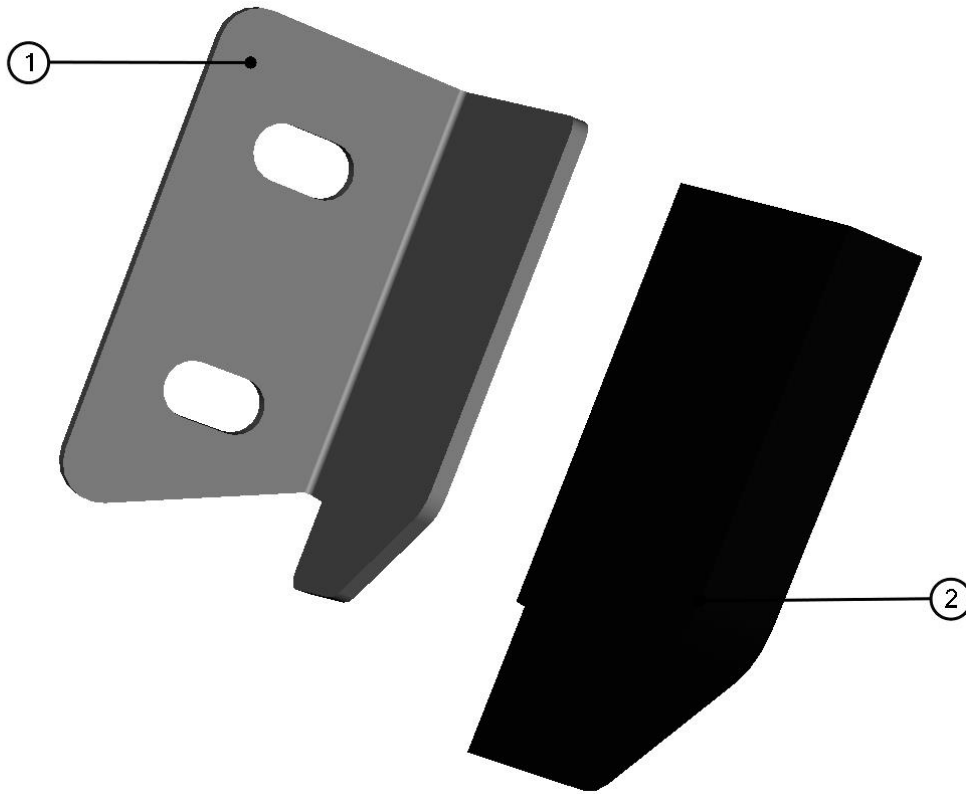
ID	Catalogue no.	Description	Qty
1	001397	RIVET NUT M6	1
2	001736	SADDLE WASHER	1
3	001735	RUBBER WASHER EPDM	1
4	001715	PLASTIC WASHER	1
5	002120	SCREW M6x30	1

**FRAME FIXING ASSEMBLY**



ID	Catalogue no.	Description	Qty
1	001348	PLASTIC NUT COVER OK 10	1
2	001392	SELF-LOCKING NUT M6	1
3	001426	WASHER 6	1
4	001735	RUBBER WASHER EPDM	1
5	001715	PLASTIC WASHER	1
6	001432	SCREW M6x30	1

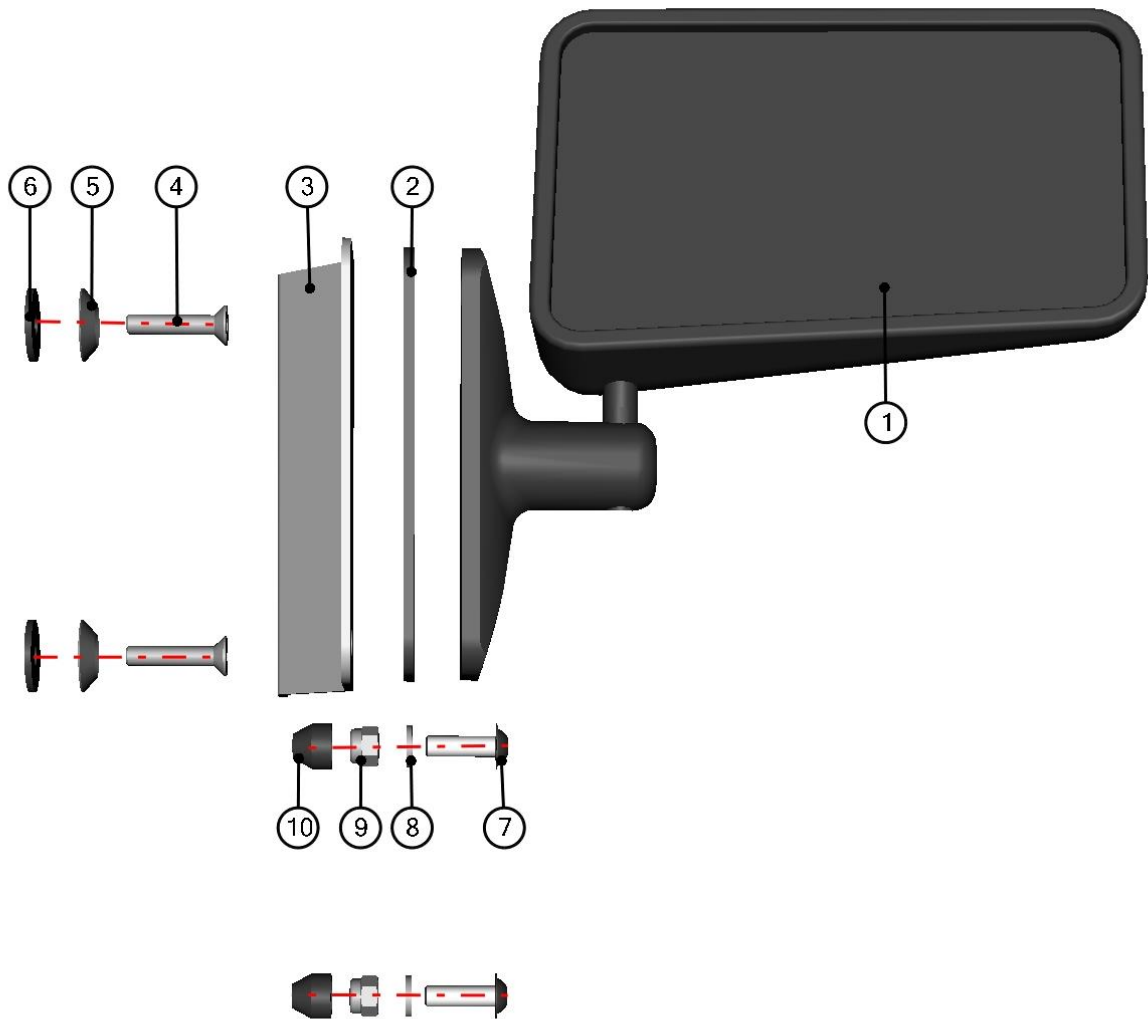
RIGHT DOOR SEALING LEDGE ASSEMBLY



60

ID	Catalogue no.	Description	Qty
1	41S04U01-50-027	RIGHT DOOR SEALING LEDGE	1
2	41S04U01-40-028	DOOR SEALING EPDM	1

**RIGHT REAR VIEW MIRROR ASSEMBLY**










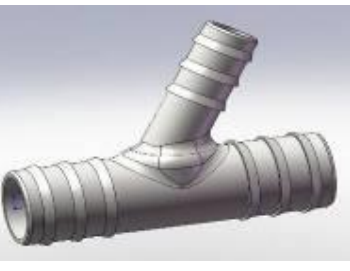

ID	Catalogue no.	Description	Qty
1	002774	RIGHT REAR VIEW MIRROR	1
2	00-109U-001	REAR VIEW MIRROR RUBBER WASHER	1
3	00-109U-002	REAR VIEW MIRROR HOLDER	1
4	001701	SCREW M6x30	2
5	001715	PLASTIC WASHER	2
6	001735	RUBBER WASHER	2
7	001723	SCREW M6x20	2
8	001426	WASHER 6	2
9	001392	SELF-LOCKING NUT M6	2
10	001348	PLASTIC NUT COVER OK 10	2

ELECTROINSTALLATION

Position	Catalogue no.	Description	Qty
1	002346	HEATER 12V	1
2	004322	SWITCH – WIPER/ WASHER/OFF	1
3	001576	WASHER MOTOR	1
4	001652	FUSE BOX 2x1	1
5	000885	WASHER COMPLETE	1
6	002764	WIPERMOTOR 12V	1
7	41S04U01-01M001	CABLE HARNESS - WIPER	1
8	41S04U01-02M001	CABLE HARNESS - HEATING	1
9	00-01-001	WASHER COMPLET HOLDER	1
10	41S04U01-02-001	HEATER HOLDER	1
11	002642	TIGHTENING STRAP Ø14-27	8
12	002386	ELECTRIC VALVE	1
13	002615	SCREW RIVETS	4
14	002491	AIR VENT VALVE	1
15	002521	TUBE Ø18MM	1
16	41S04U01-03M001	CABLE HARNESS - WASHER	1
17	002503	“Y” COUPLING	2
18	002643	TIGHTENING STRAP Ø21-38	4
19	001367	TIGHTENING STRAP Ø 12-22	6

SEE NEXT PAGES

		
<p><b>Position : 1</b> <b>Catalogue no.: 002346</b></p>	<p><b>Position : 2</b> <b>Catalogue no.: 004322</b></p>	<p><b>Position : 3</b> <b>Catalogue no.: 001576</b></p>
		
<p><b>Position : 4</b> <b>Catalogue no.: 001652</b></p>	<p><b>Position : 5</b> <b>Catalogue no.: 000885</b></p>	<p><b>Position : 6</b> <b>Catalogue no.: 002764</b></p>
		
<p><b>Position : 7</b> <b>Catalogue no.: 41S04U01-01M001</b></p>	<p><b>Position : 8</b> <b>Catalogue no.: 41S04U01-02M001</b></p>	<p><b>Position : 9</b> <b>Catalogue no.:00-01-001</b></p>

		
<p><b>Position : 10</b> <b>Catalogue no.: 41S04U01-02-001</b></p>	<p><b>Position : 11</b> <b>Catalogue no.: 002642</b></p>	<p><b>Position : 12</b> <b>Catalogue no.: 002386</b></p>
		
<p><b>Position : 13</b> <b>Catalogue no.: 002615</b></p>	<p><b>Position : 14</b> <b>Catalogue no.: 002491</b></p>	<p><b>Position : 15</b> <b>Catalogue no.: 002521</b></p>
		
<p><b>Position : 16</b> <b>Catalogue no.: 41S04U01-03M001</b></p>	<p><b>Position : 17</b> <b>Catalogue no.: 002503</b></p>	<p><b>Position : 18</b> <b>Catalogue no.: 002643</b></p>





<b>Position : 19</b>				
<b>Catalogue no.: 001367</b>				