

HardCabs

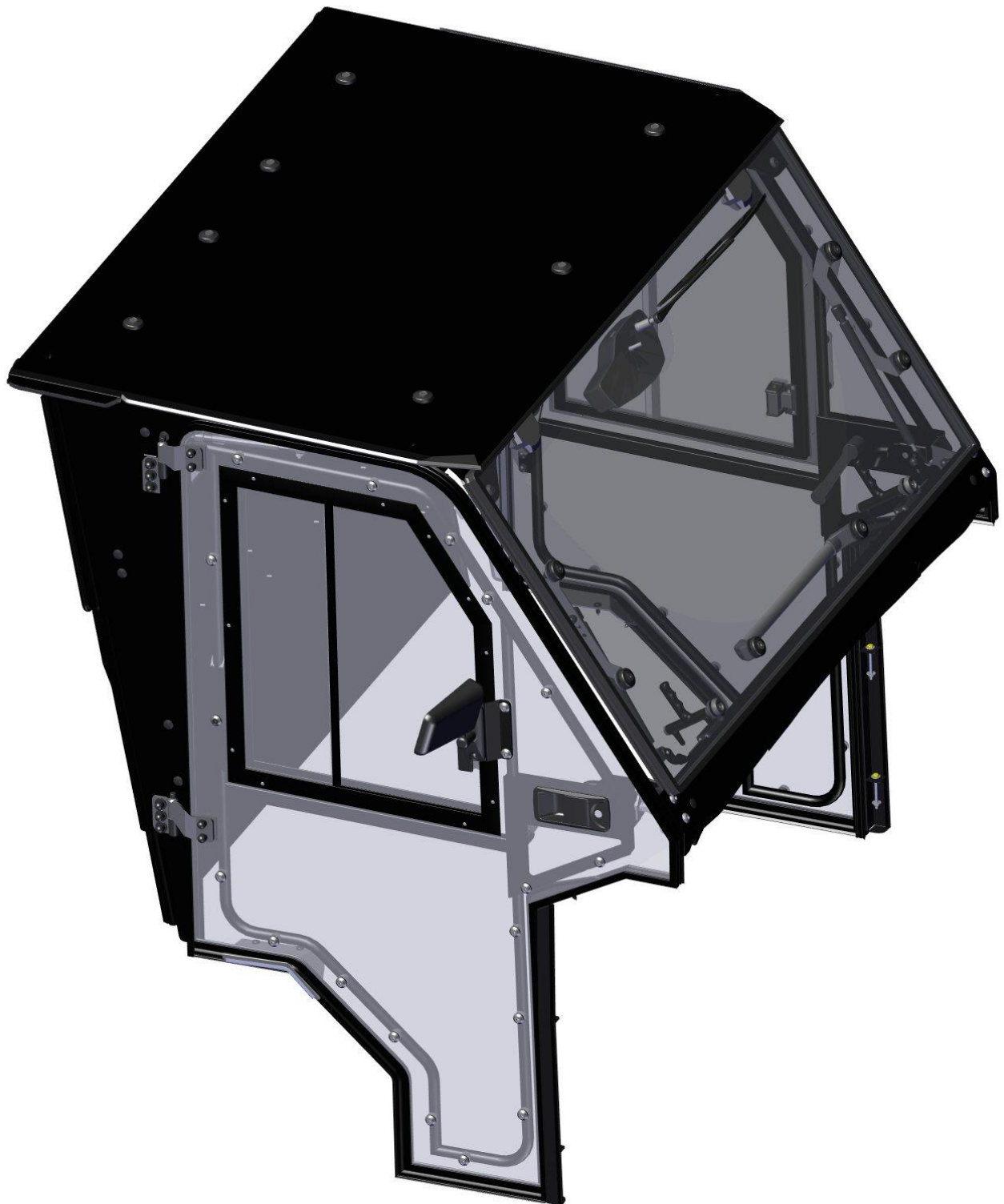
A DFK AMERICA COMPANY

SPARE - PARTS CATALOG

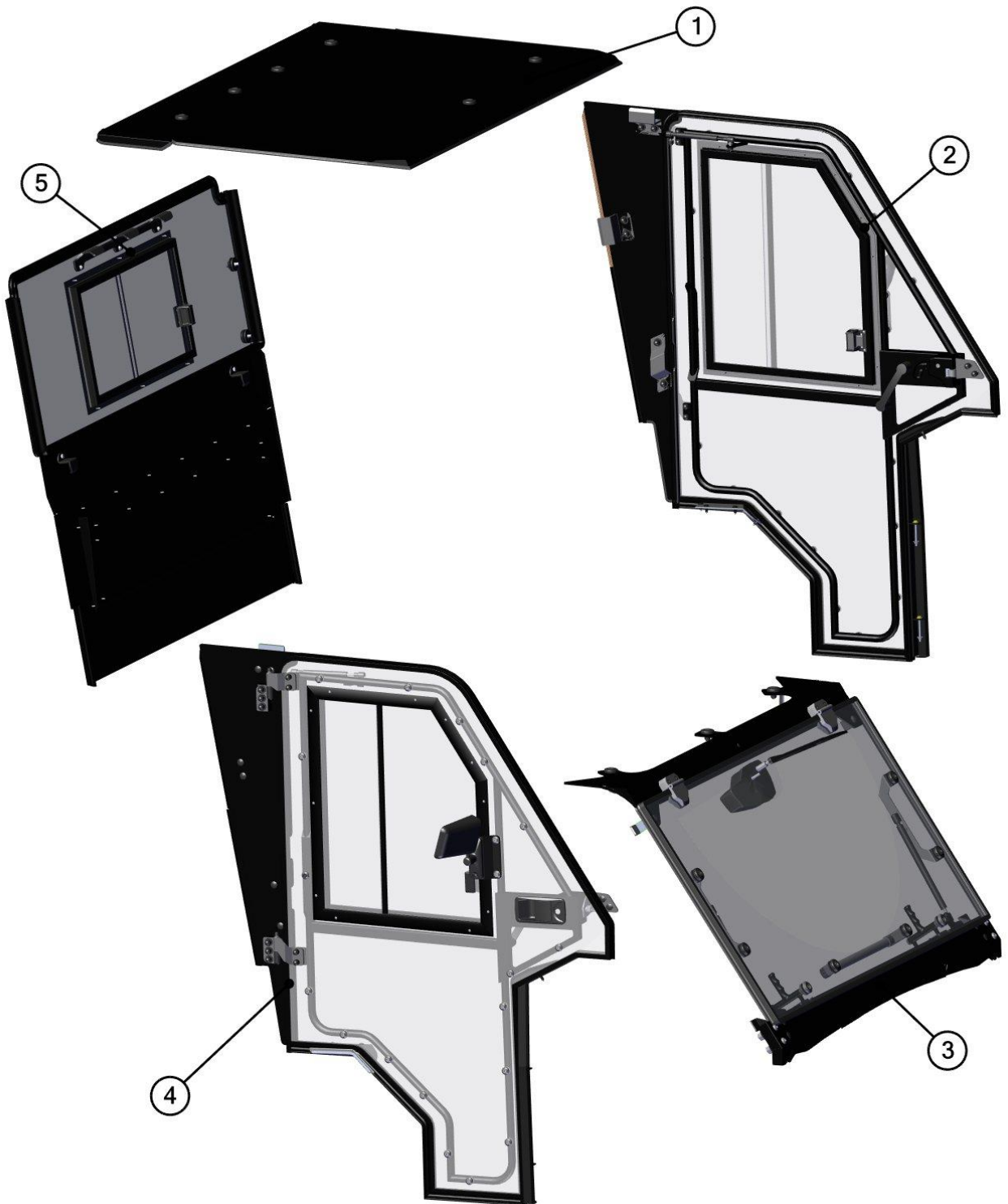
KAWASAKI **MULE PRO-FX(DX)**



CAB PREVIEW



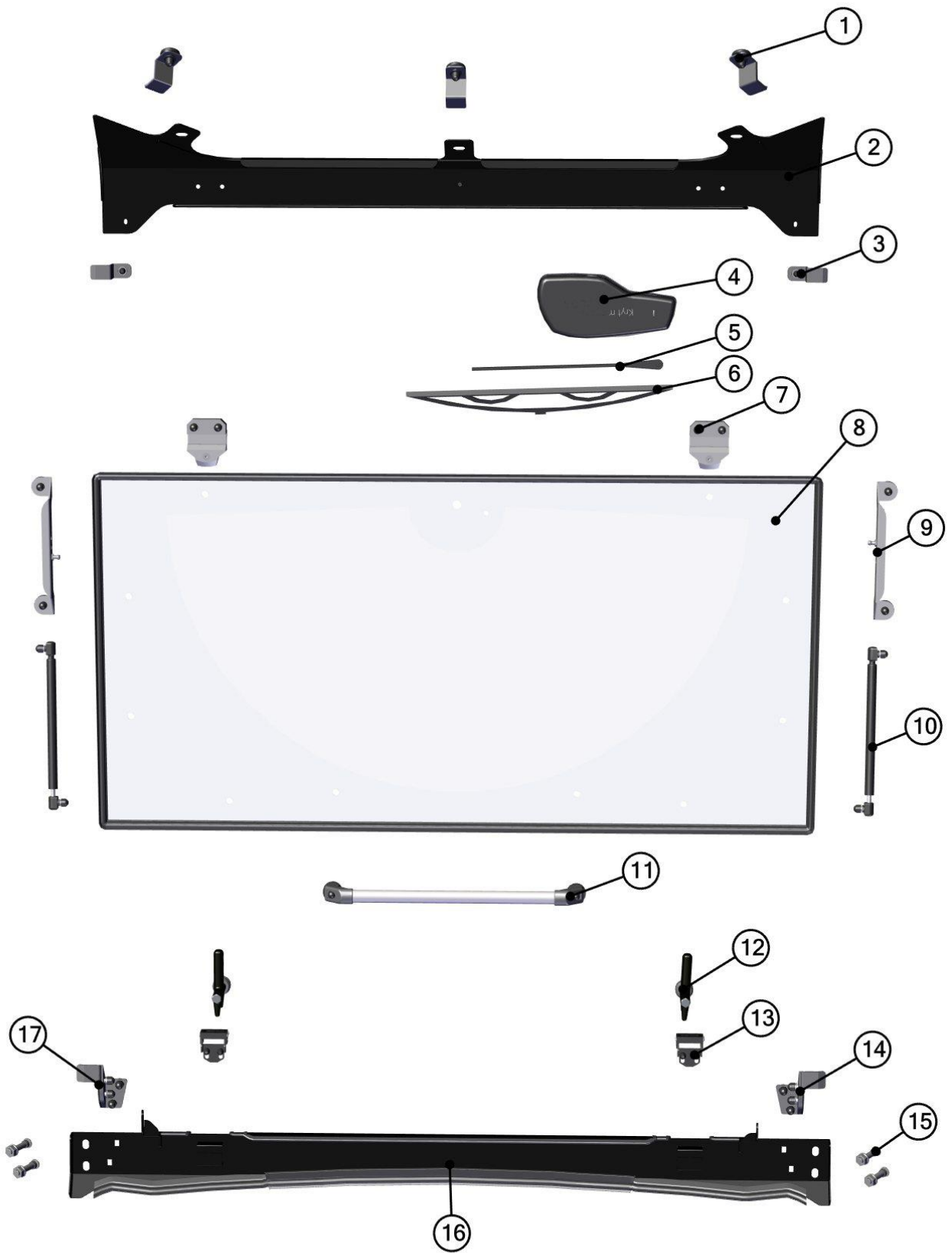
2



ID	Catalogue no.	Description	Qty
1	42S08U01S30	ROOF	1
2	42S08U01S40	LEFT DOOR	1
3	42S05U01S10	FRONT PANEL	1
4	42S08U01S50	RIGHT DOOR	1
5	42S08U01S20	REAR PANEL	1

FRONT PANEL

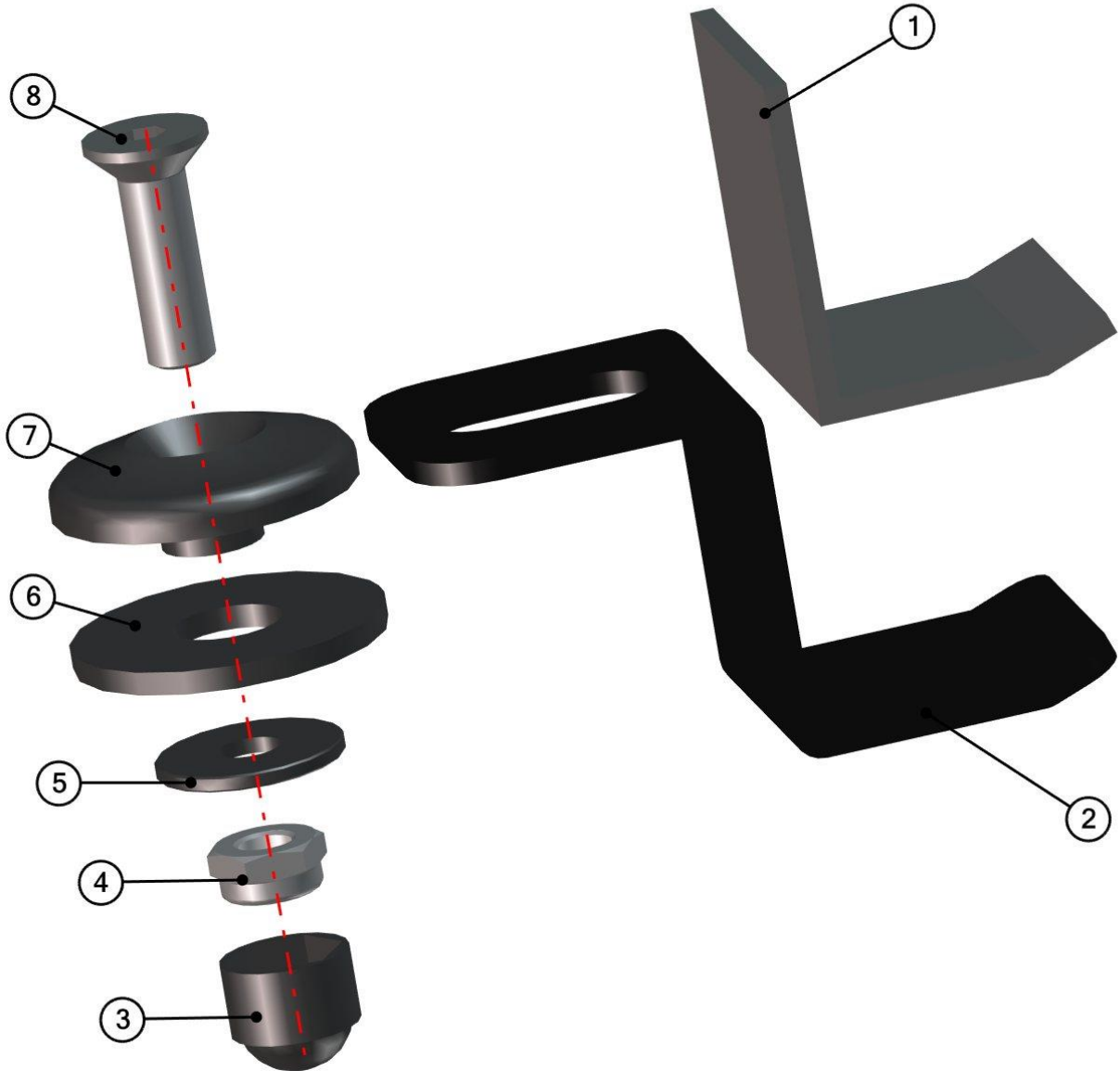




5

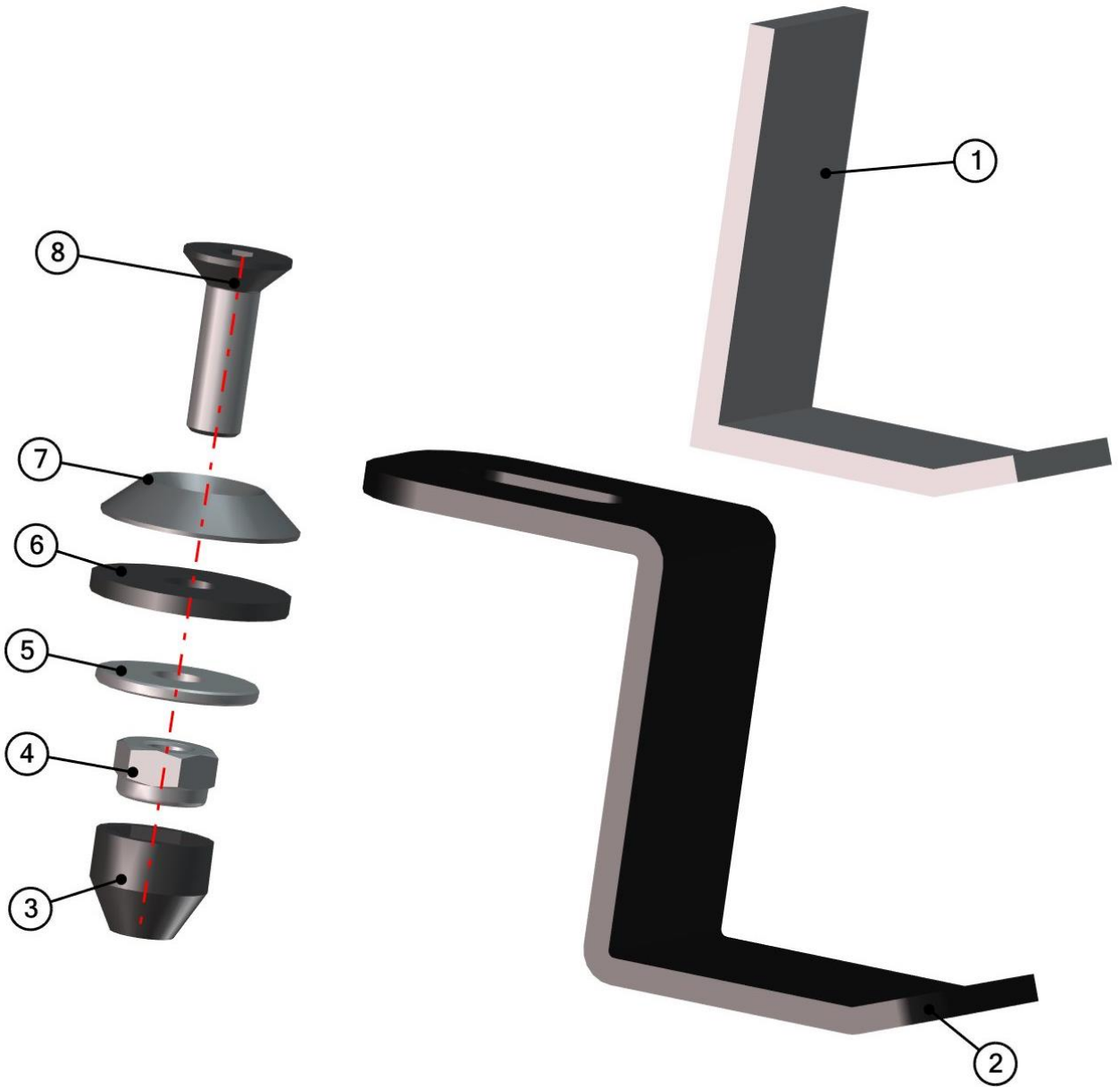
ID	Catalogue no.	Description	Qty
1	42S05U01-10M006	FRONT UPPER LEDGE HOLDER ASSEMBLY	3
2	42S05U01-10M013	FRONT UPPER LEDGE	1
3	42S05U01-10M005	FRONT UPPER LEDGE SIDE HOLDER ASSEMBLY	2
4	00-10M005	WIPER MOTOR ASSEMBLY	1
5	001764	WIPER ARM	1
6	001765	WIPER LATH	1
7	00-10M012	FRONT HINGE ASSEMBLY	2
8	42S05U01-10M003	FRONT GLASS WITH SEALING	1
9	42S05U01-10M010	FRONT GAS SPRING HOLDER ASSEMBLY	2
10	42S05U01-10M011	FRONT GAS SPRING ASSEMBLY	2
11	00-113U-M001	FRONT HANDLE ASSEMBLY	1
12	00-10M023	FRONT GLASS LOCK	2
13	42S05U01-10M014	FRONT GLASS STOP ASSEMBLY	2
14	42S05U01-10M012	RIGHT FRONT BOTTOM LEDGE HOLDER ASSEMBLY	1
15	42S05U01-10M009	FRONT BOTTOM FIXING ASSEMBLY	4
16	42S05U01-10W002	FRONT BOTTOM LEDGE WELDED	1
17	42S05U01-10M021	LEFT FRONT BOTTOM LEDGE HOLDER ASSEMBLY	1

FRONT UPPER LEDGE HOLDER ASSEMBLY
42S05U01-10M006



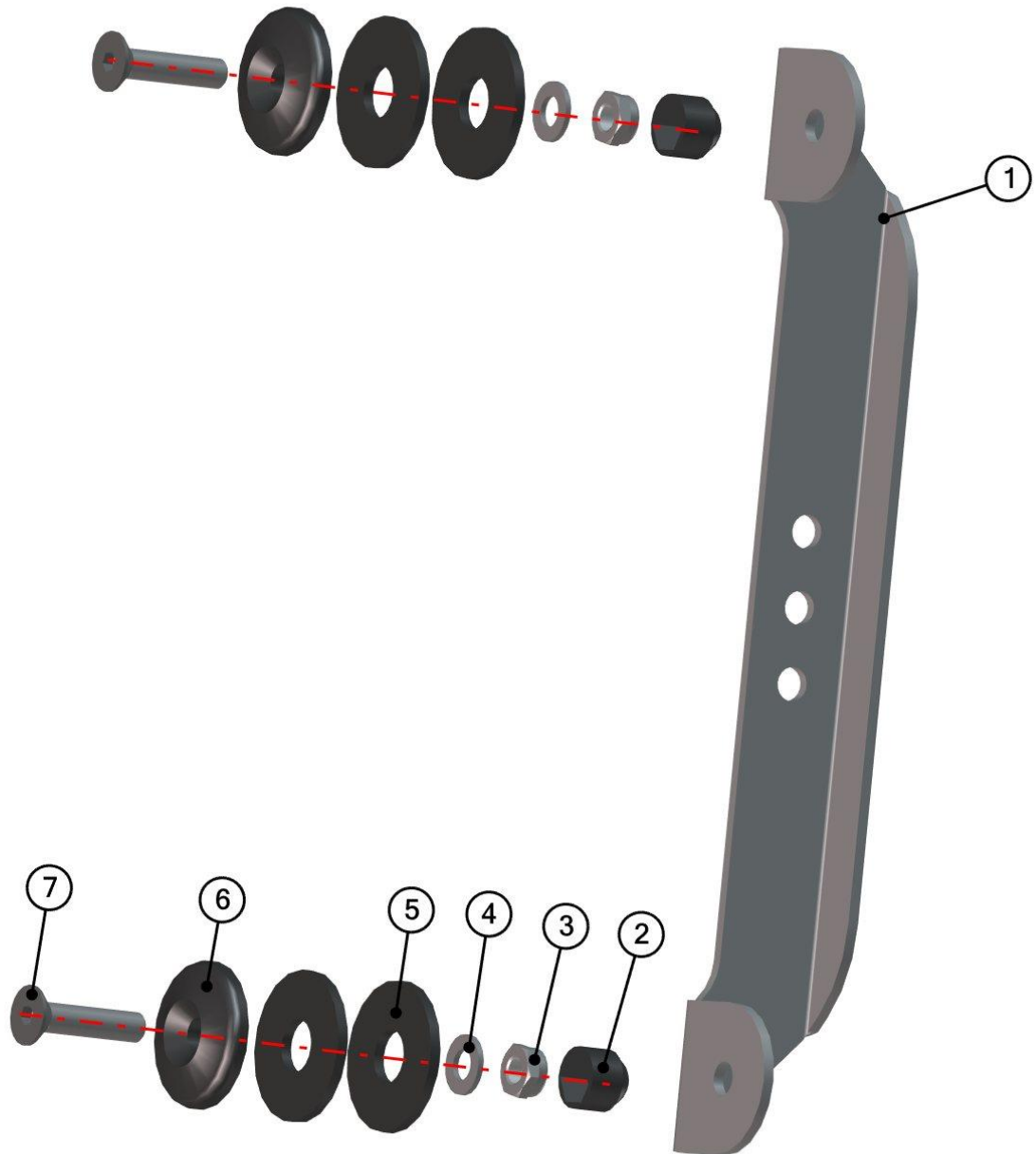
ID	Catalogue no.	Description	Qty
1	001422^42S05U01-10M006	SEAL "PE 50x3"	1
2	42S05U01-10-007	FRONT UPPER LEDGE HOLDER	1
3	001309	PLASTIC NUT COVER OK 13	1
4	001388	SELF-LOCKING NUT M8	1
5	003322	WASHER 8 LARGE	1
6	001428	RUBBER WASHER	1
7	001429	PLASTIC WASHER	1
8	002121	SCREW M8x30	1

FRONT UPPER LEDGE SIDE HOLDER ASSEMBLY
42S05U01-10M005



ID	Catalogue no.	Derscription	Qty
1	001420^42S05U01-10M005	SEAL "PE 25x3"	1
2	42S05U01-10-006	FRONT UPPER LEDGE HOLDER 2	1
3	001348	PLASTIC NUT COVER OK 10	1
4	001392	SELF-LOCKING NUT M6	1
5	001337	WASHER 6 LARGE	1
6	001735	RUBBER WASHER	1
7	001715	PLASTIC WASHER	1
8	001761	SCREW M6x20	1

FRONT GAS SPRING HOLDER ASSEMBLY
42S05U01-10M010

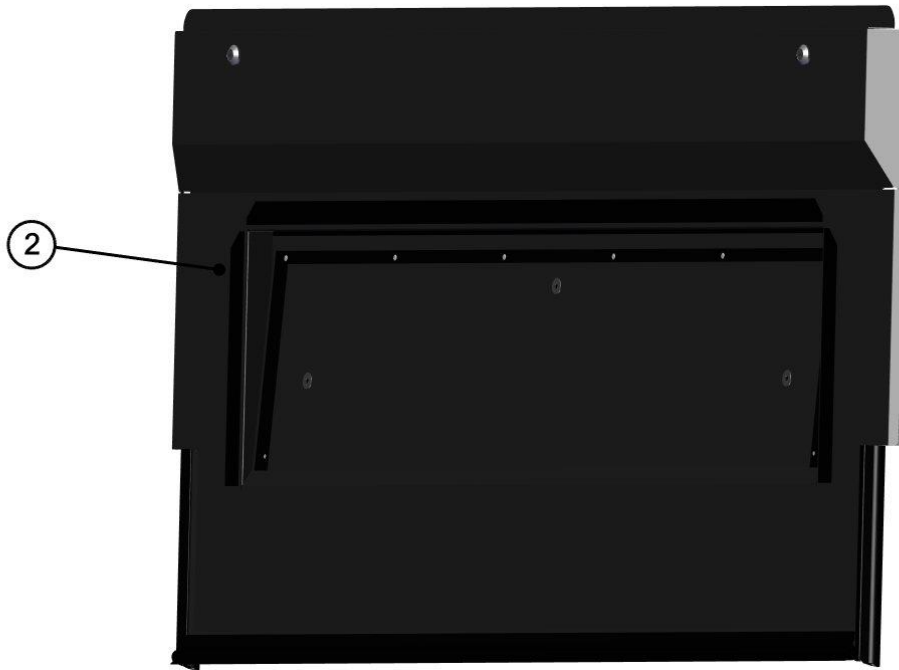
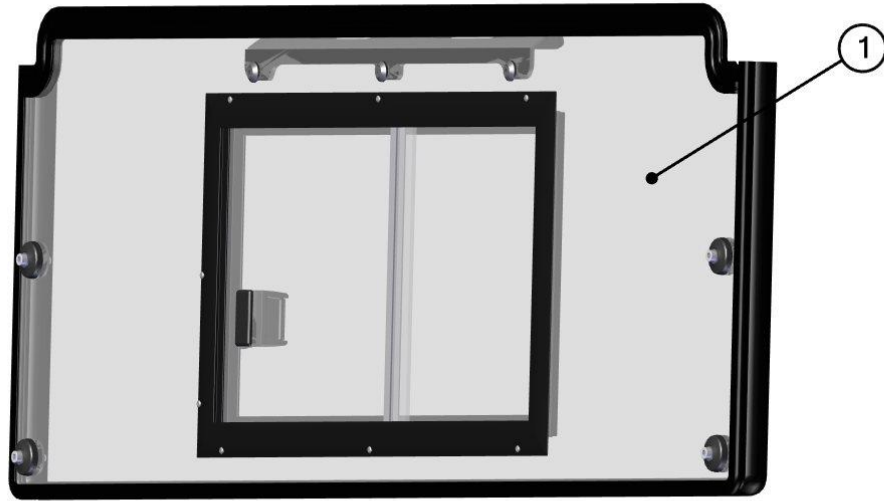


ID	Catalogue no.	Description	Qty
1	42S05U01-10-011	GAS SPRIGN HOLDER	1
2	001309	PLASTIC NUT COVER OK 13	2
3	001388	SELF-LOCKING NUT M8	2
4	001387	WASHER 8	2
5	001428	RUBBER WASHER	4
6	001429	PLASTIC WASHER	2
7	001760	SCREW M8x35	2

REAR PANEL



10

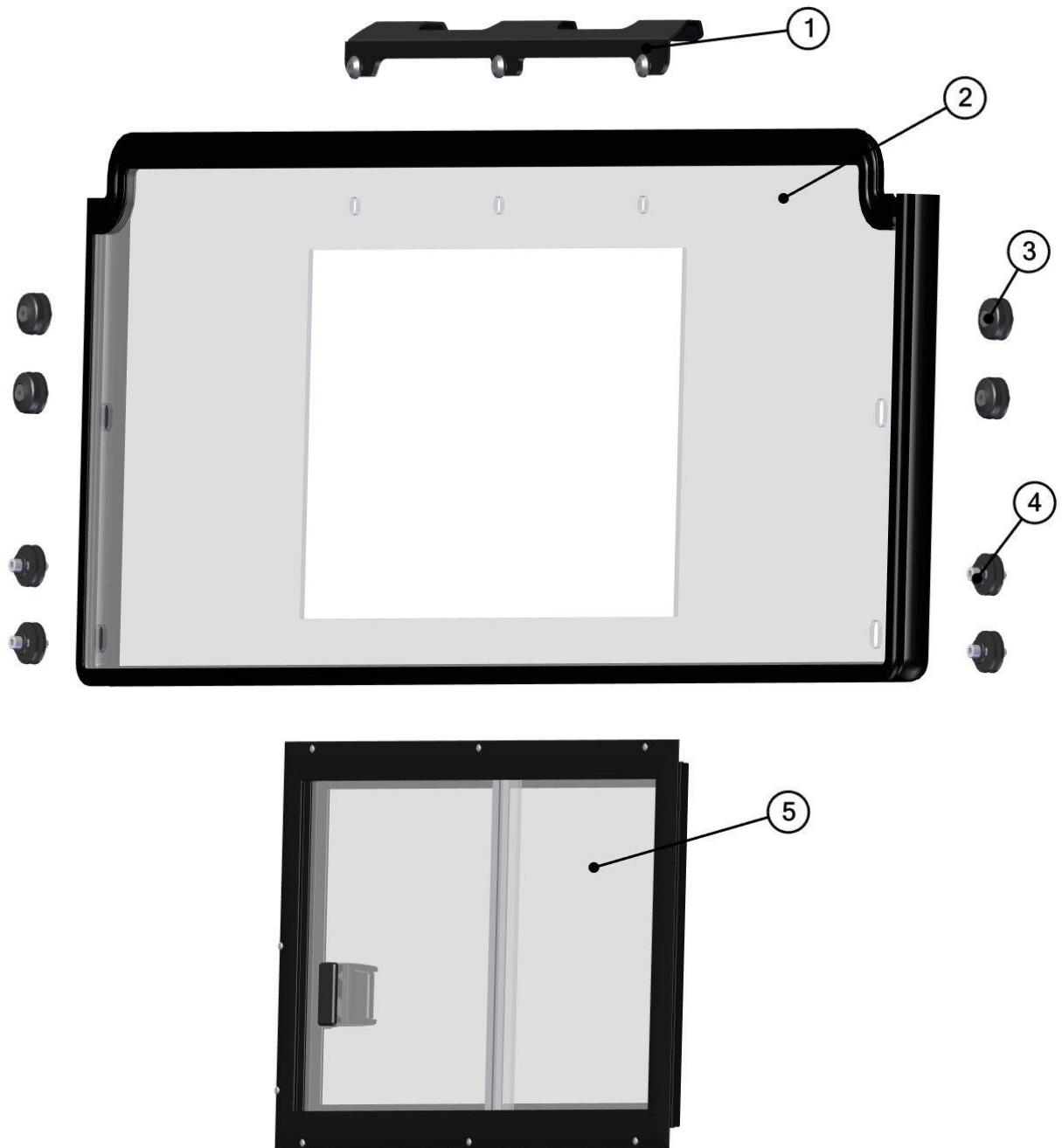


ID	Catalogue no.	Description	Qty
1	42S08U01-20M005	REAR POLYCARBONATE ASSEMBLY	1
2	42S08U01-20M004	REAR BOTTOM COVER ASSEMBLY	1

REAR POLYCARBONATE ASSEMBLY



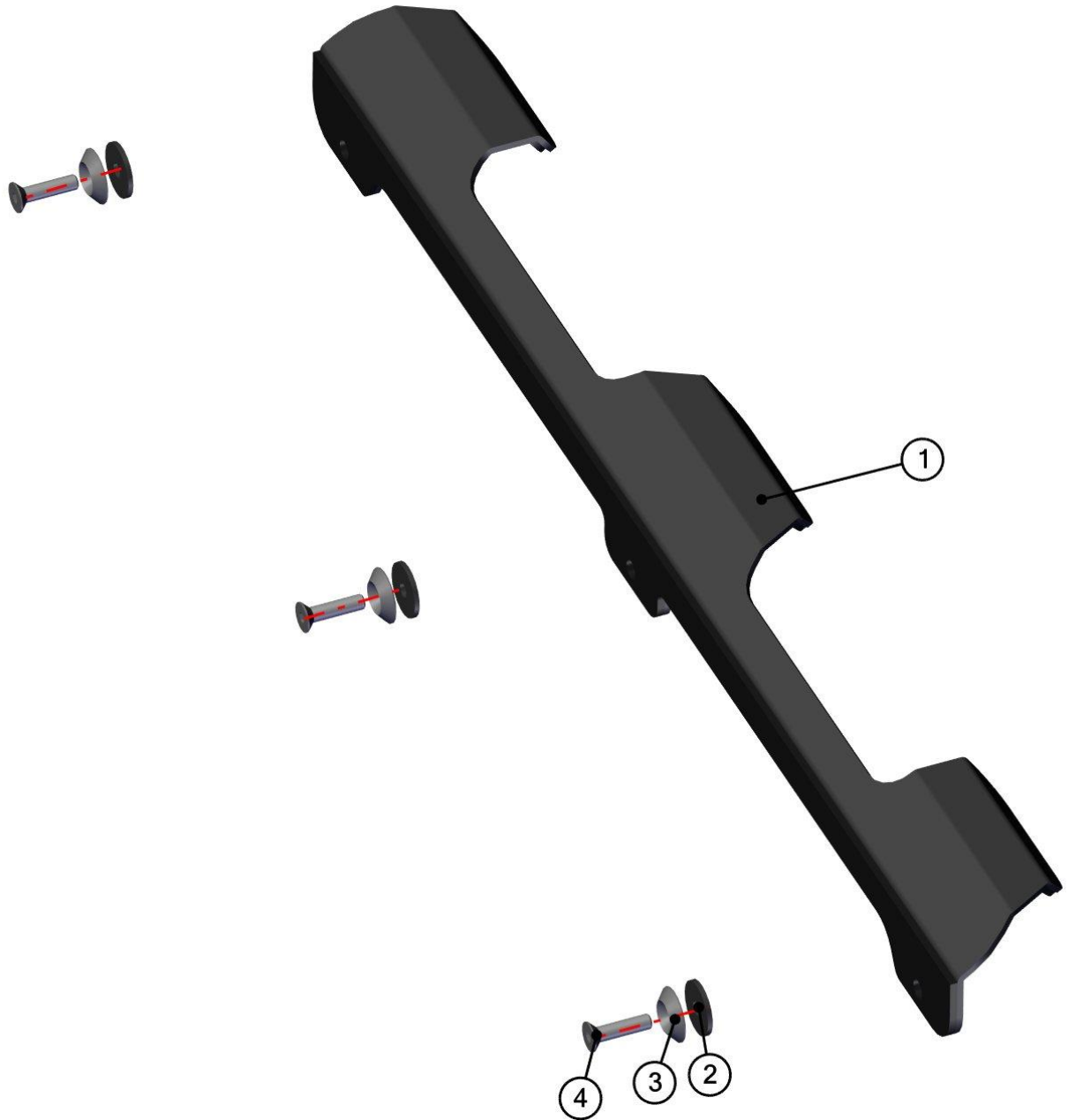
12



13

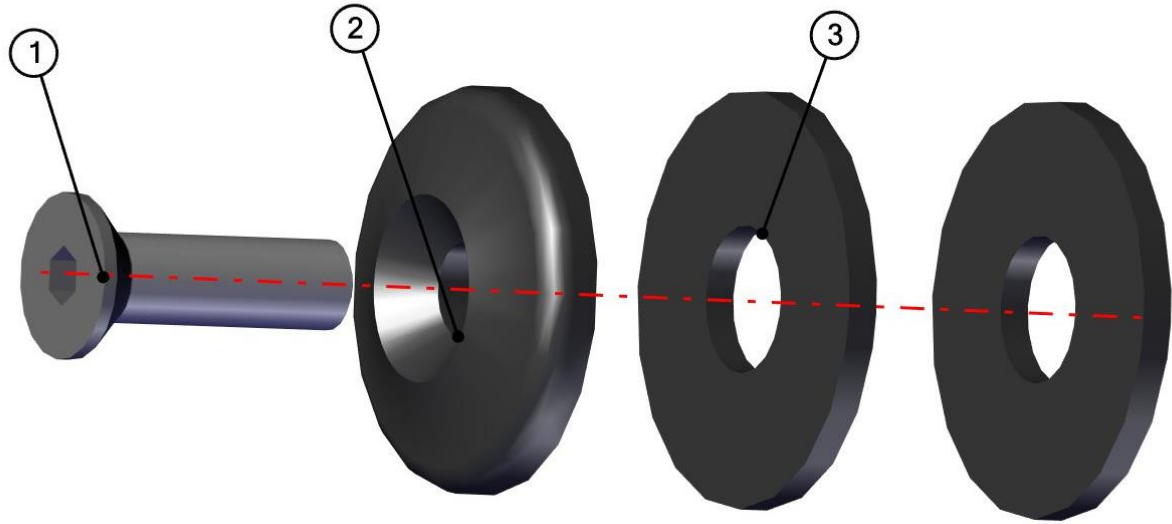
ID	Catalogue no.	Description	Qty
1	42S08U01-20M008	REAR UPPER HOLDER ASSEMBLY	1
2	42S08U01-20M002	REAR POLYCARBONATE WITH SEALING	1
3	42S08U01-20M007	REAR FIXING ASSEMBLY	4
4	42S08U01-20M006	REAR FIXING ASSEMBLY (for original grill)	4
5	42S08U01-20M010	REAR WINDOW ASSEMBLY	1

REAR UPPER HOLDER ASSEMBLY
42S08U01-20M008



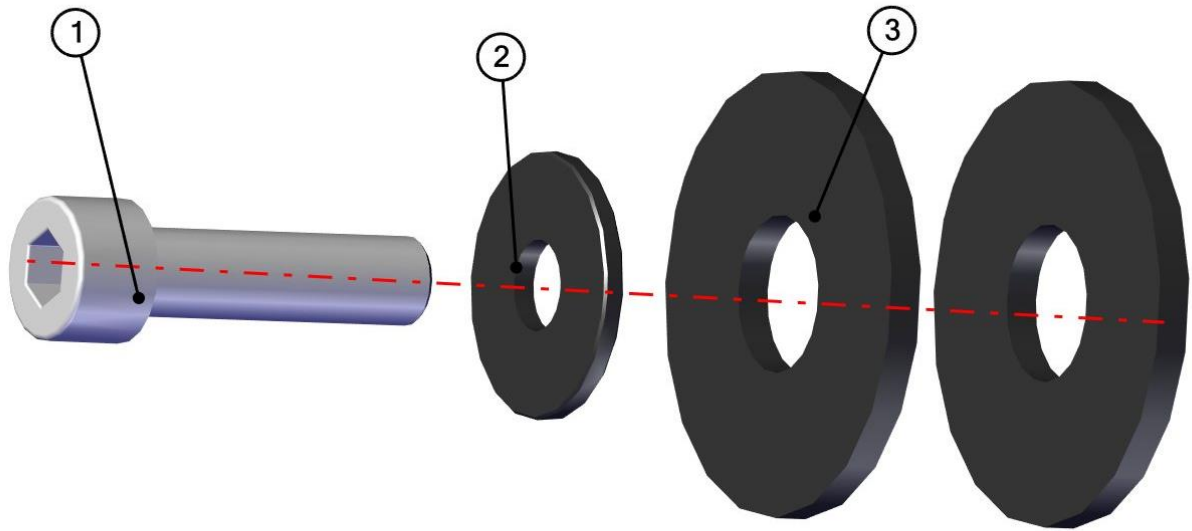
ID	Catalogue no.	Description	Qty
1	42S08U01-20W003	REAR UPPER HOLDER WELDED	1
2	001735	RUBBER WASHER	3
3	001715	PLASTIC WASHER	3
4	002120	SCREW M6x25	3

REAR FIXING ASSEMBLY
42S08U01-20M007



ID	Catalogue no.	Description	Qty
1	002121	SCREW M8x30	1
2	001429	PLASTIC WASHER	1
3	001428	RUBBER WASHER	2

REAR FIXING ASSEMBLY (for original grill)
42S08U01-20M006

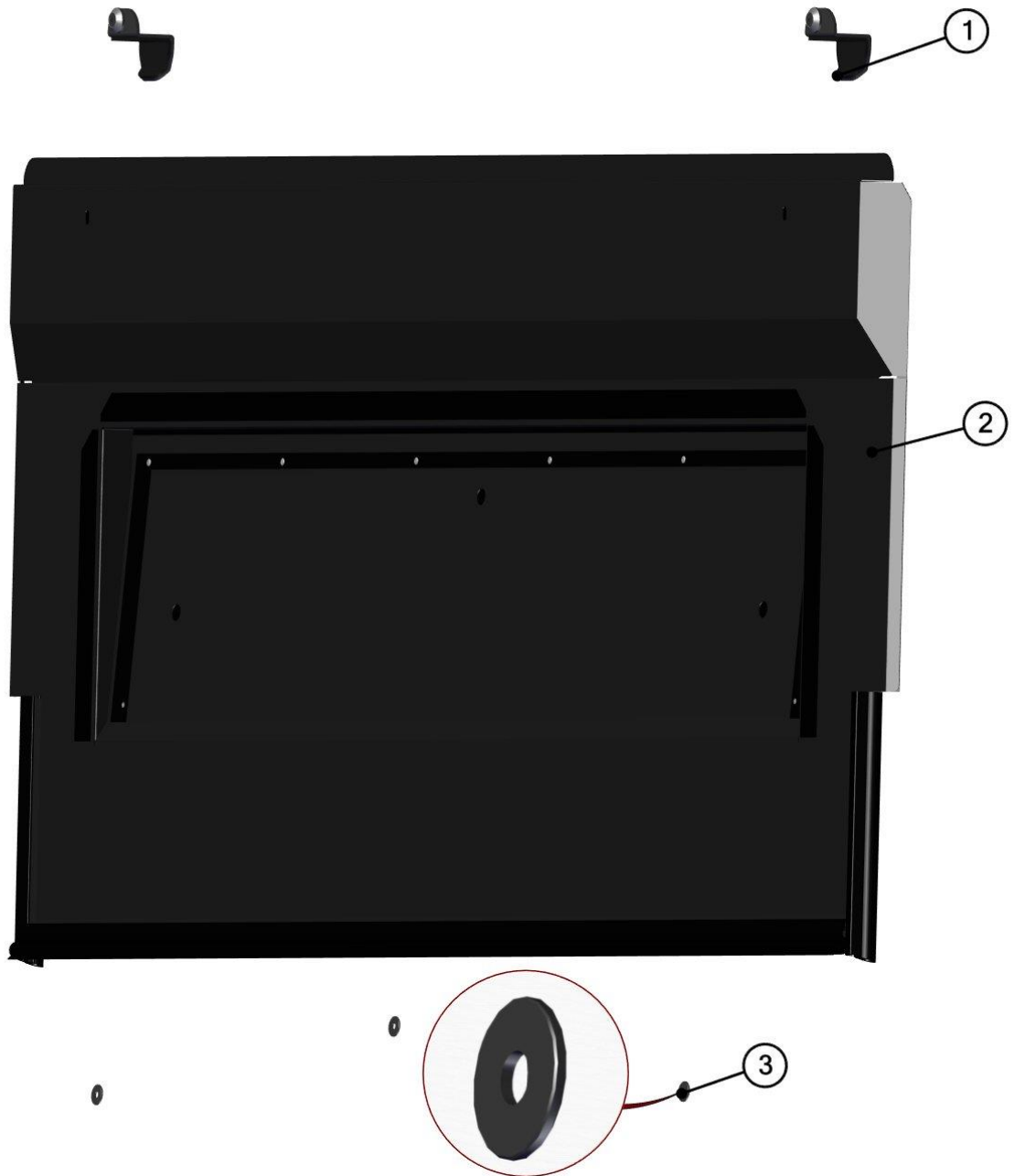


ID	Catalogue no.	Description	Qty
1	002656	SCREW M8x30	1
2	003322	WASHER 8 LARGE	1
3	001428	RUBBER WASHER	2

REAR BOTTOM COVER ASSEMBLY



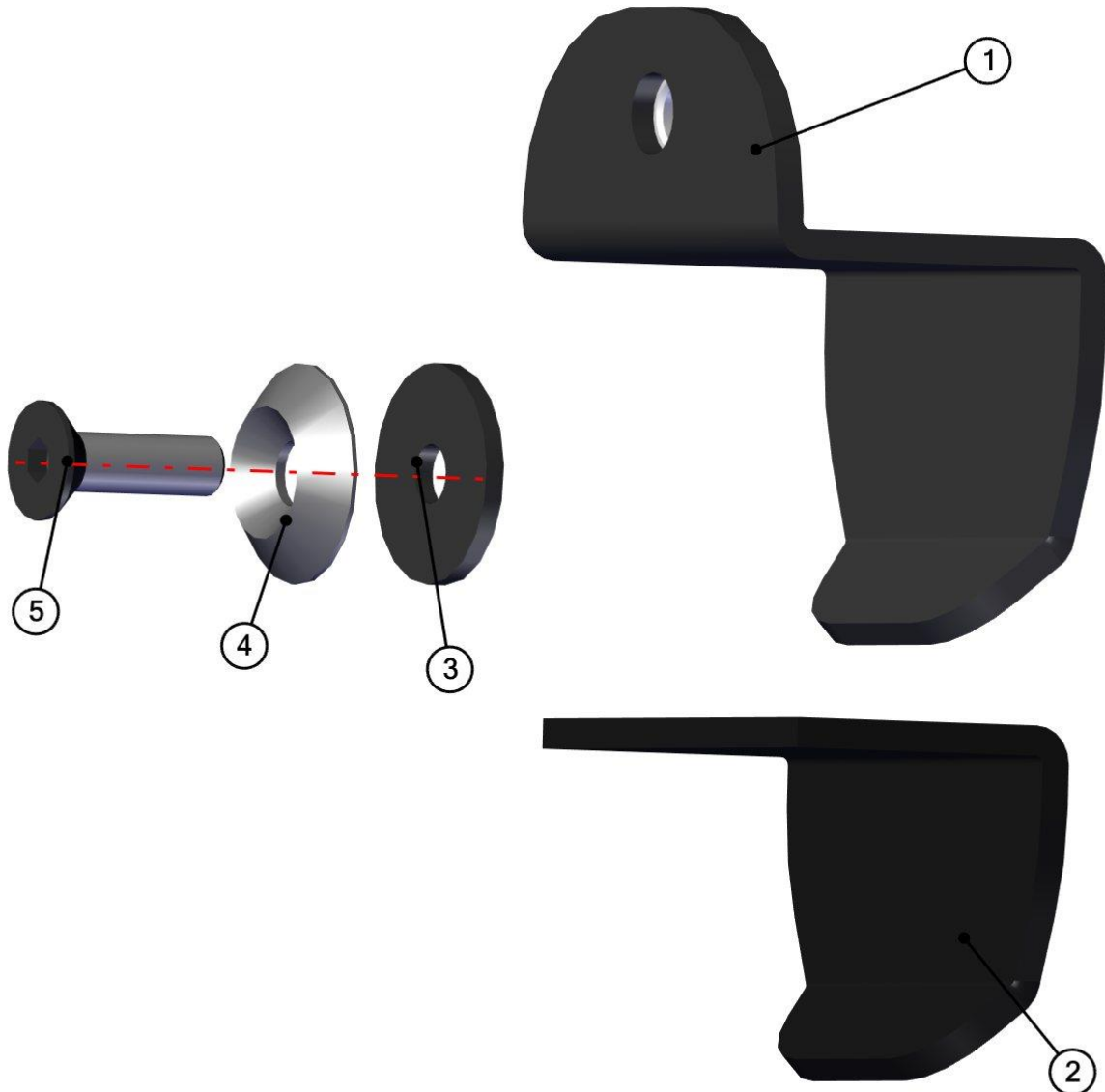
17



18

ID	Catalogue no.	Description	Qty
1	42S08U01-20M003	REAR BOTTOM HOLDER ASSEMBLY	2
2	42S08U01-20M001	REAR BOTTOM COVER ASSEMBLY	1
3	004318	WASHER 6 LARGE	3

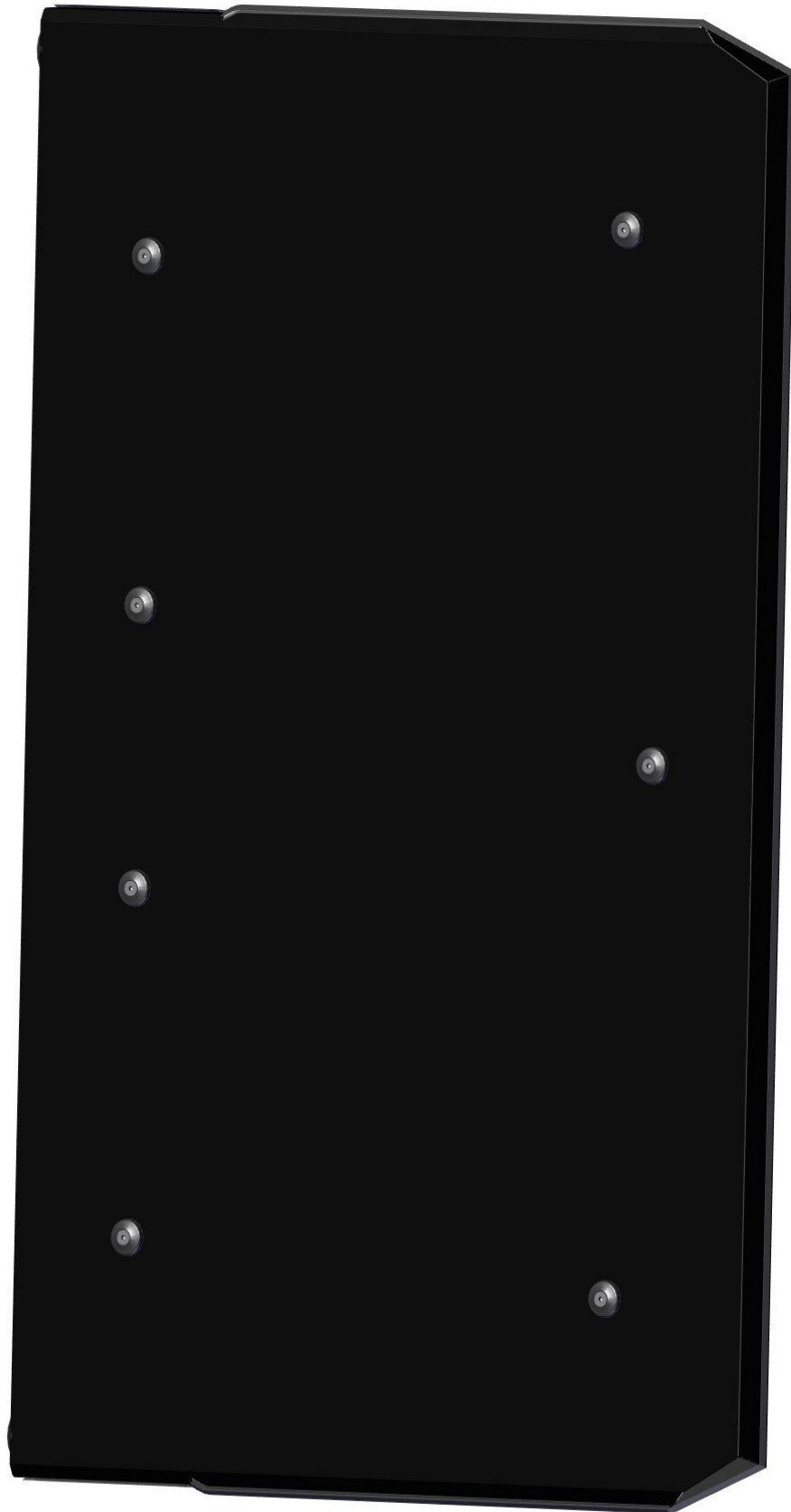
REAR BOTTOM HOLDER ASSEMBLY
42S08U01-20M003



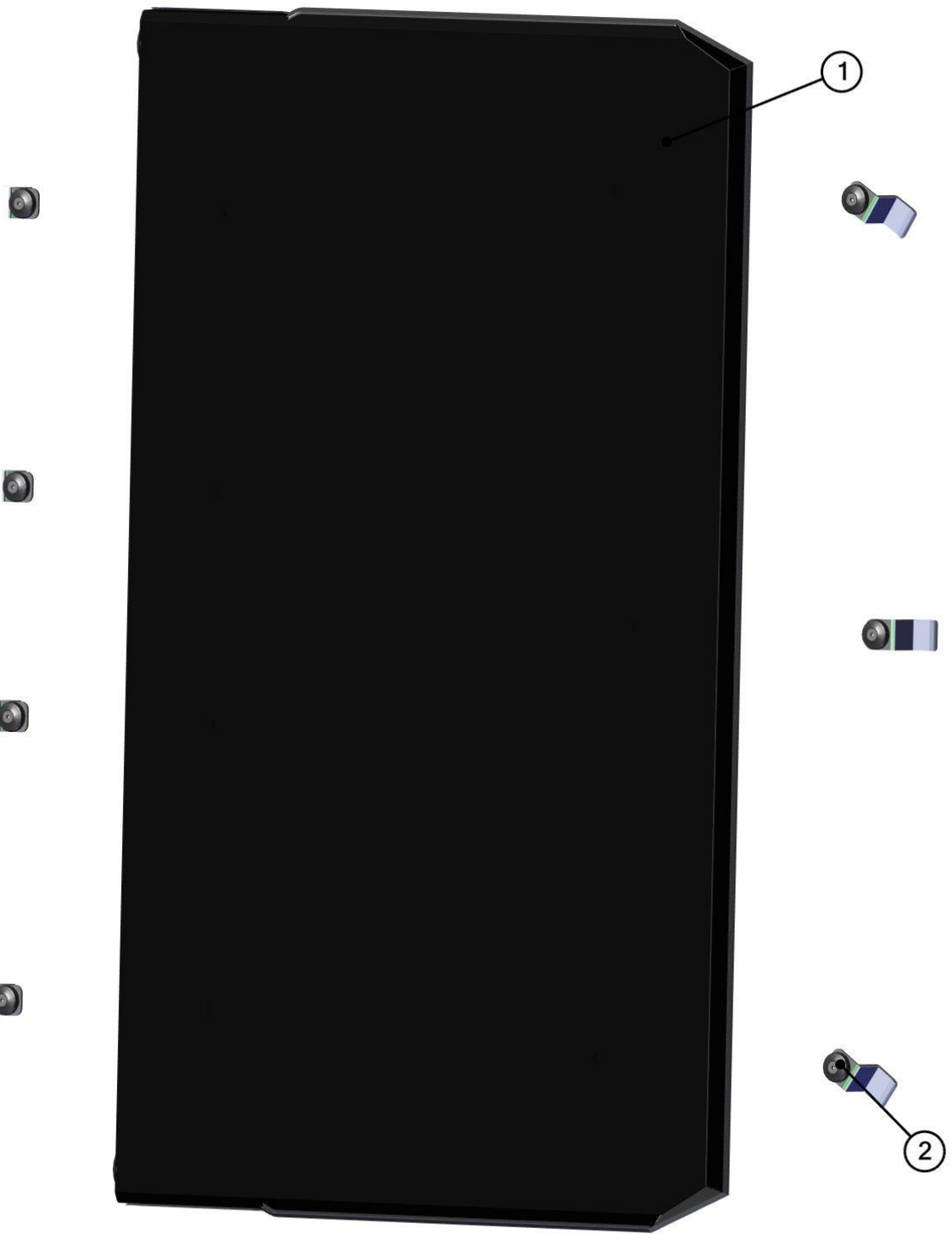
19

ID	Catalogue no.	Description	Qty
1	42S08U01-20W002	REAR BOTTOM COVER HOLDER WELDED	1
2	42S08U01-20-006	SEAL "SEMPERIT"	1
3	001735	RUBBER WASHER	1
4	001715	PLASTIC WASHER	1
5	001761	SCREW M6x20	1

ROOF

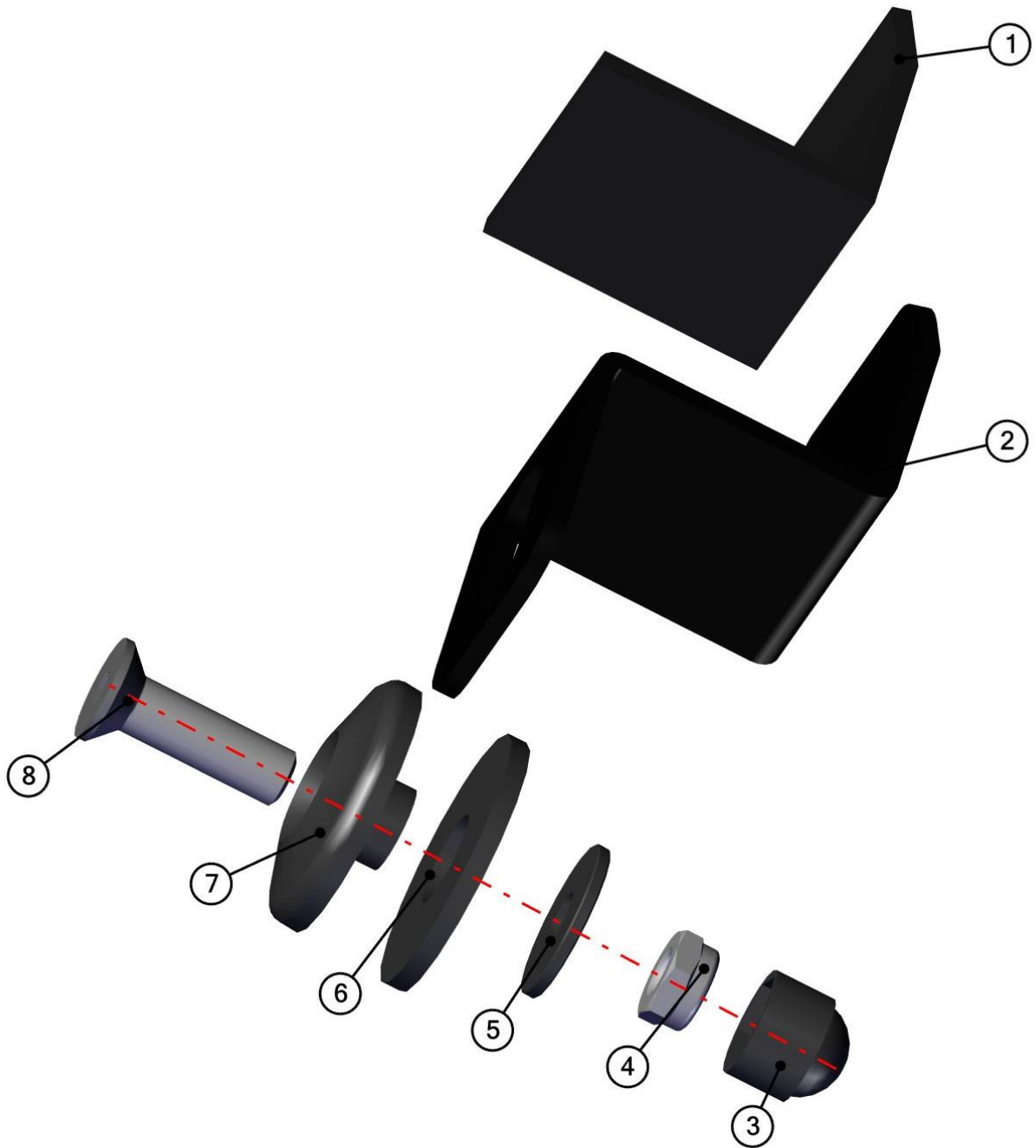


20



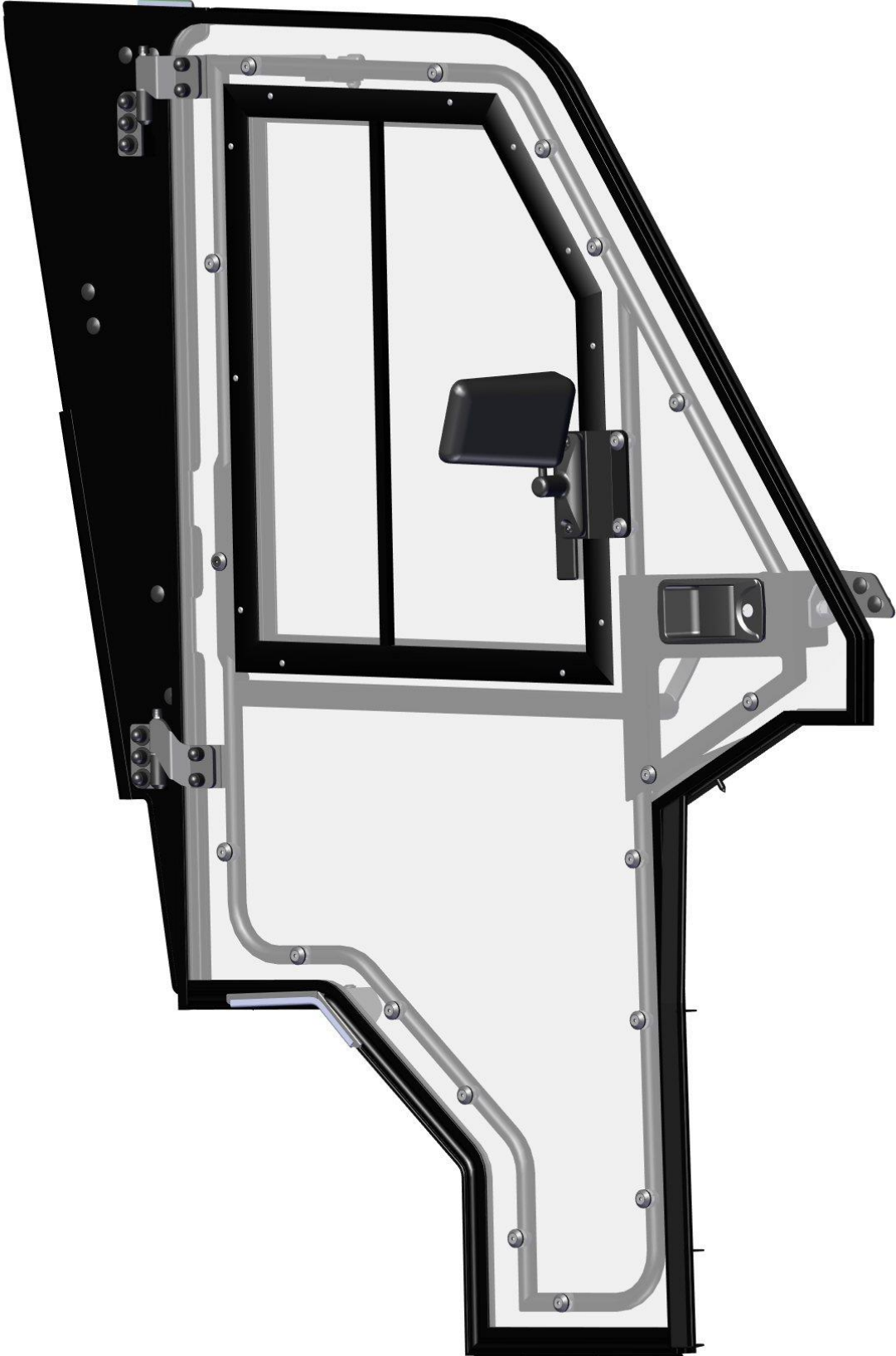
ID	Catalogue no.	Description	Qty
1	42S08U01-30M001	ROOF PANEL	1
2	42S05U01-10M006	ROOF HOLDER ASSEMBLY	7

REAR FIXING ASSEMBLY
42S05U01-10M006

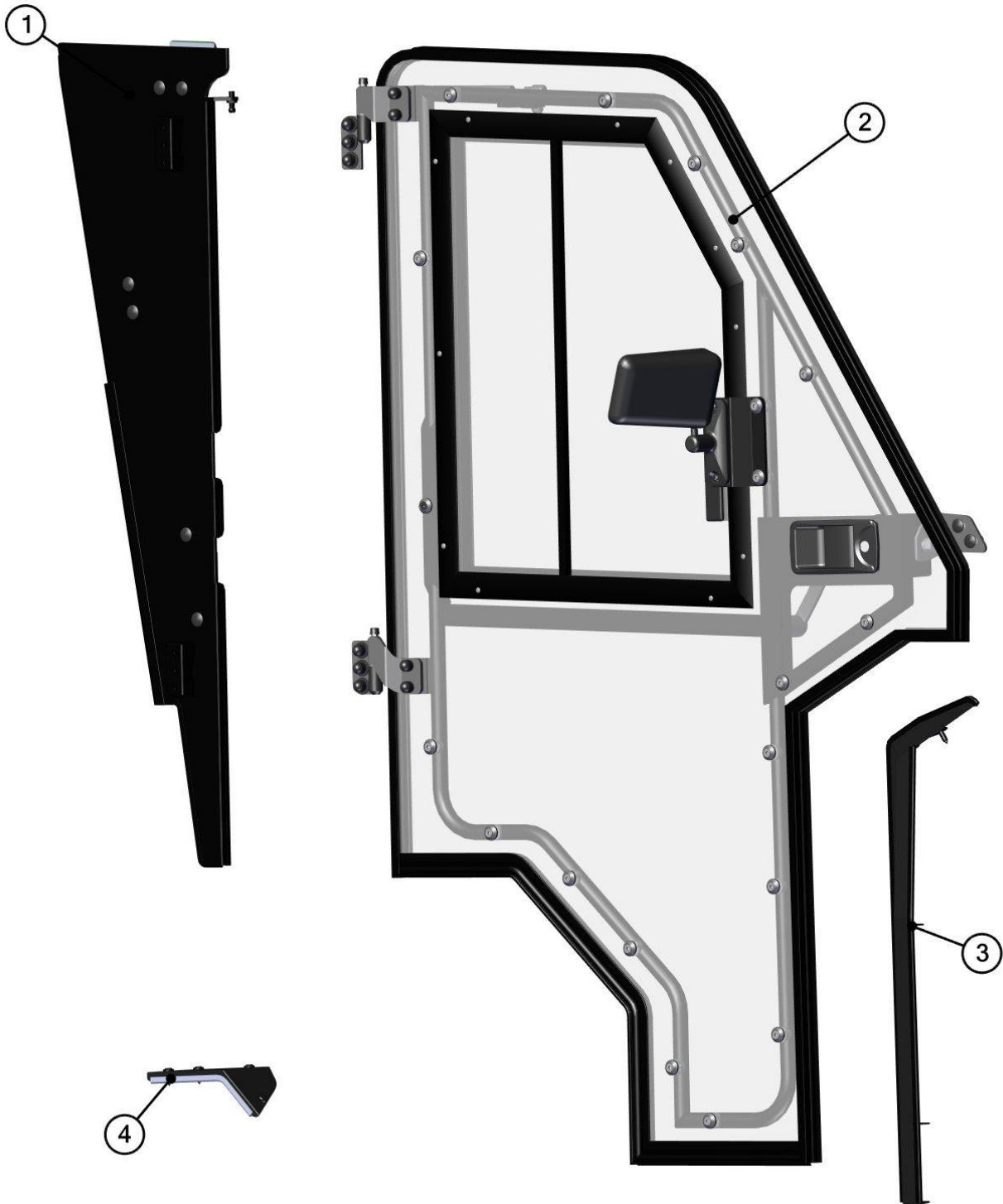


ID	Catalogue no.	Description	Qty
1	001422^42S05U01-10M006	SEAL "PE 50x3"	1
2	42S05U01-10-007	ROOF HOLDER	1
3	001309	PLASTIC NUT COVER OK13	1
4	001388	SELF-LOCKING NUT M8	1
5	003322	WASHER 8 LARGE	1
6	001428	RUBBER WASHER	1
7	001429	PLASTIC WASHER	1
8	002121	SCREW M8x30	1

LEFT DOOR + RIGHT DOOR



23



24

SEE NEXT PAGE

LEFT TABLE

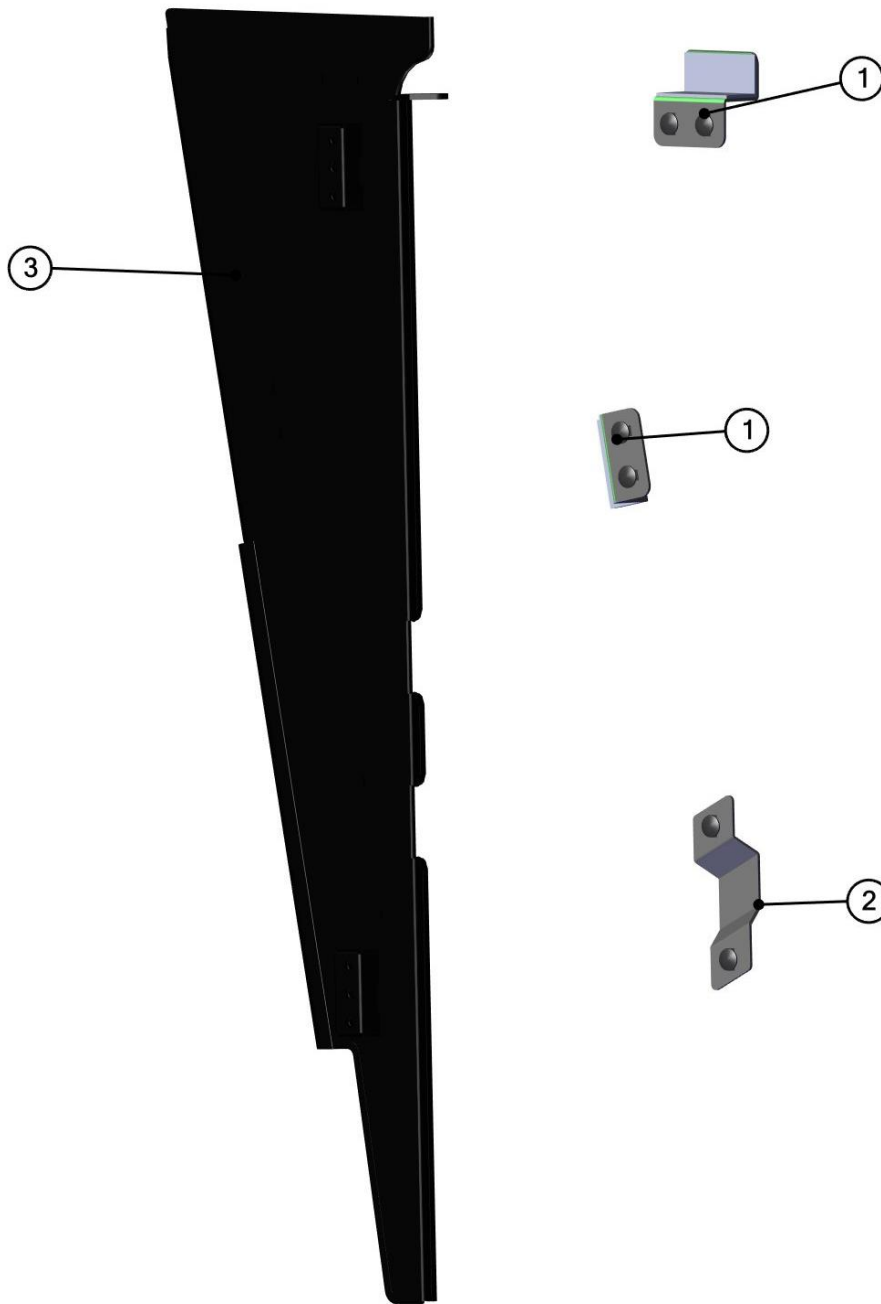
ID	Catalogue no.	Description	Qty
1	42S08U01-40M001	LEFT DOOR BASE ASSEMBLY	1
2	42S08U01-40M003	LEFT DOOR PANEL	1
3	42S05U01-40M023	LEFT DOOR SEALING LEDGE ASSEMBLY	1

RIGHT TABLE

ID	Catalogue no.	Description	Qty
1	42S08U01-50M001	RIGHT DOOR BASE ASSEMBLY	1
2	42S08U01-50M003	RIGHT DOOR PANEL	1
3	42S05U01-50M023	RIGHT DOOR SEALING LEDGE ASSEMBLY	1
4	42S05U01-50M022	GAS TANK COVER	1

DOOR BASE ASSEMBLY





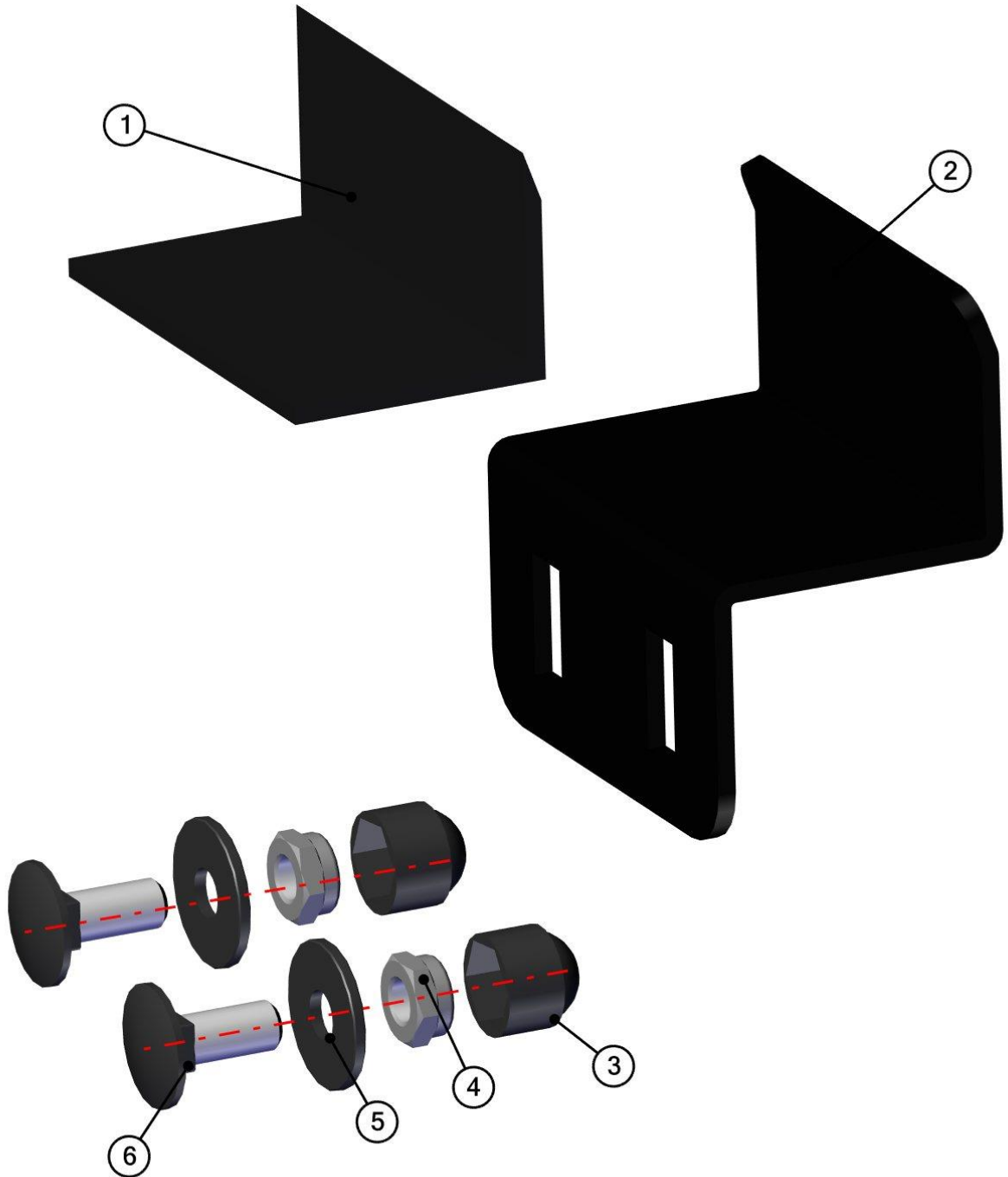
LEFT TABLE

ID	Catalogue no.	Description	Qty
1	42S05U01-50M006	DOOR BASE HOLDER ASSEMBLY	2
2	42S05U01-50M007	DOOR BASE HOLDER "Q" ASSEMBLY	1
3	42S08U01-40M002	LEFT DOOR BASE	1

RIGHT TABLE

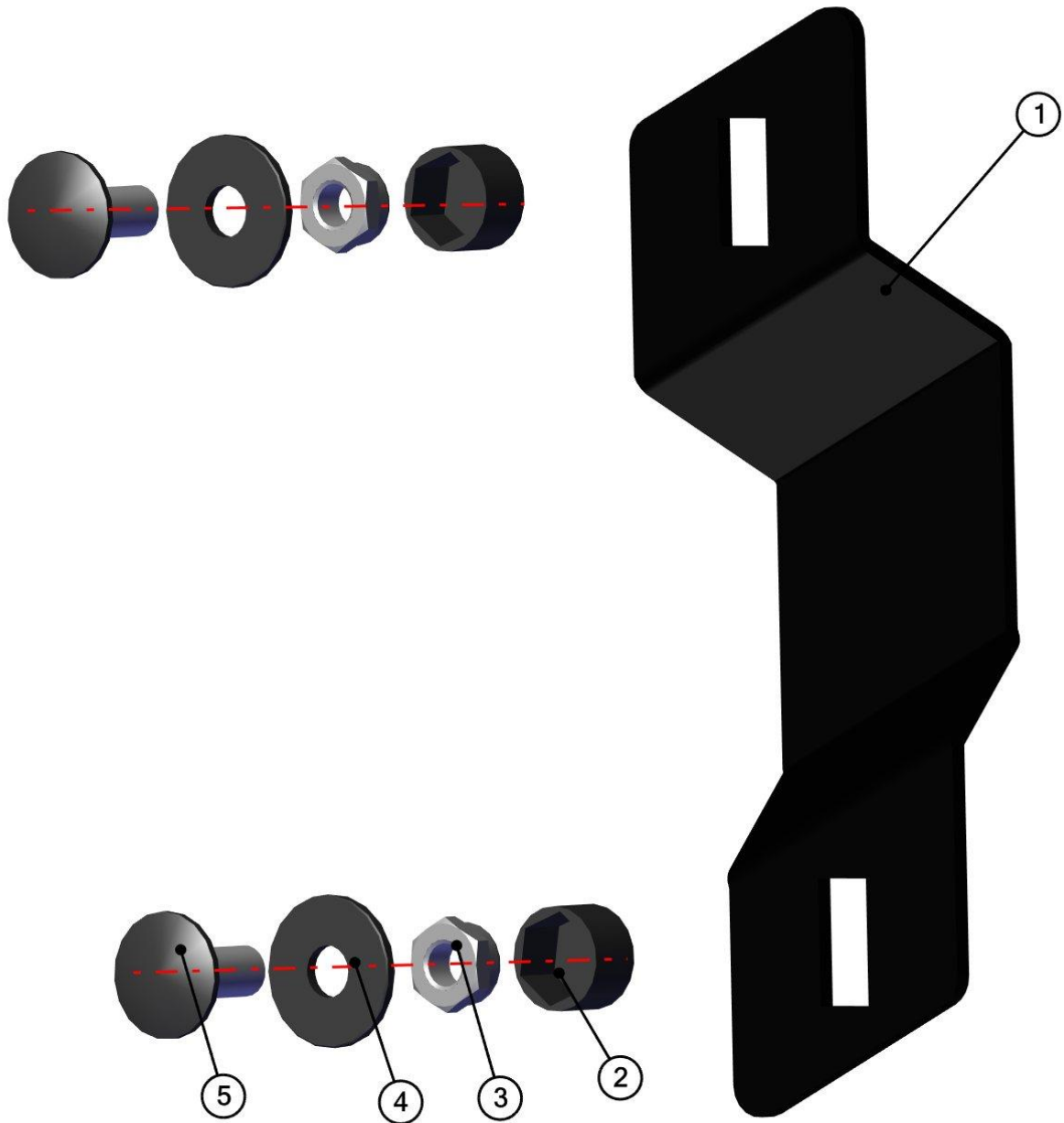
ID	Catalogue no.	Description	Qty
1	42S05U01-50M006	DOOR BASE HOLDER ASSEMBLY	2
2	42S05U01-50M007	DOOR BASE HOLDER "Q" ASSEMBLY	1
3	42S08U01-50M002	RIGHT DOOR BASE	1

DOOR BASE HOLDER ASSEMBLY
42S05U01-50M006



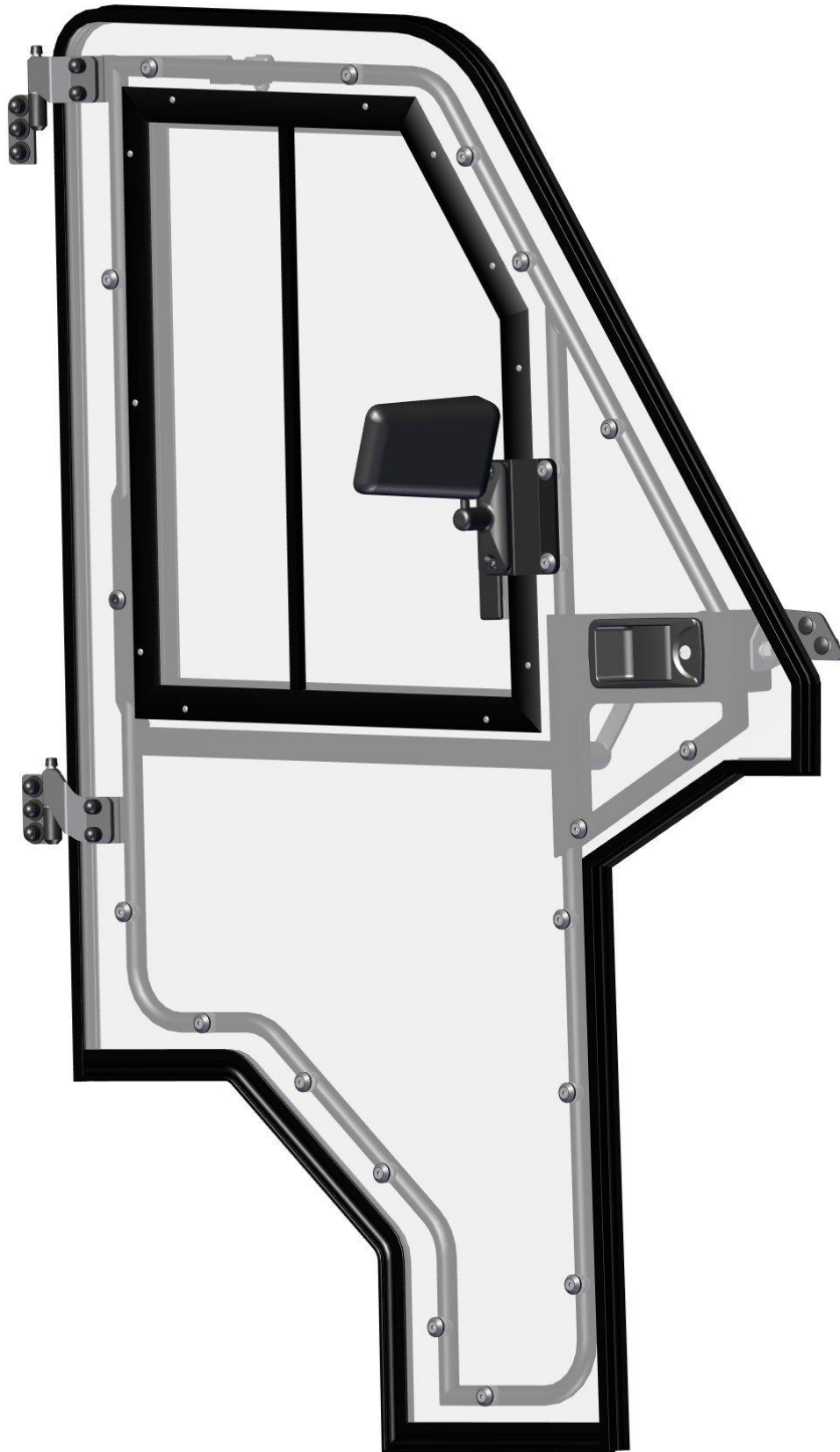
ID	Catalogue no.	Description	Qty
1	001422^42S05U01-50M006	SEAL "PE 50x3"	1
2	42S05U01-50-010	DOOR BASE HOLDER	1
3	001309	PLASTIC NUT COVER OK 13	2
4	001388	SELF-LOCKING NUT M8	2
5	003322	WASHER 8 LARGE	2
6	002575	SCREW M8x20	2

DOOR BASE HOLDER "Ω" ASSEMBLY
42S05U01-50M007

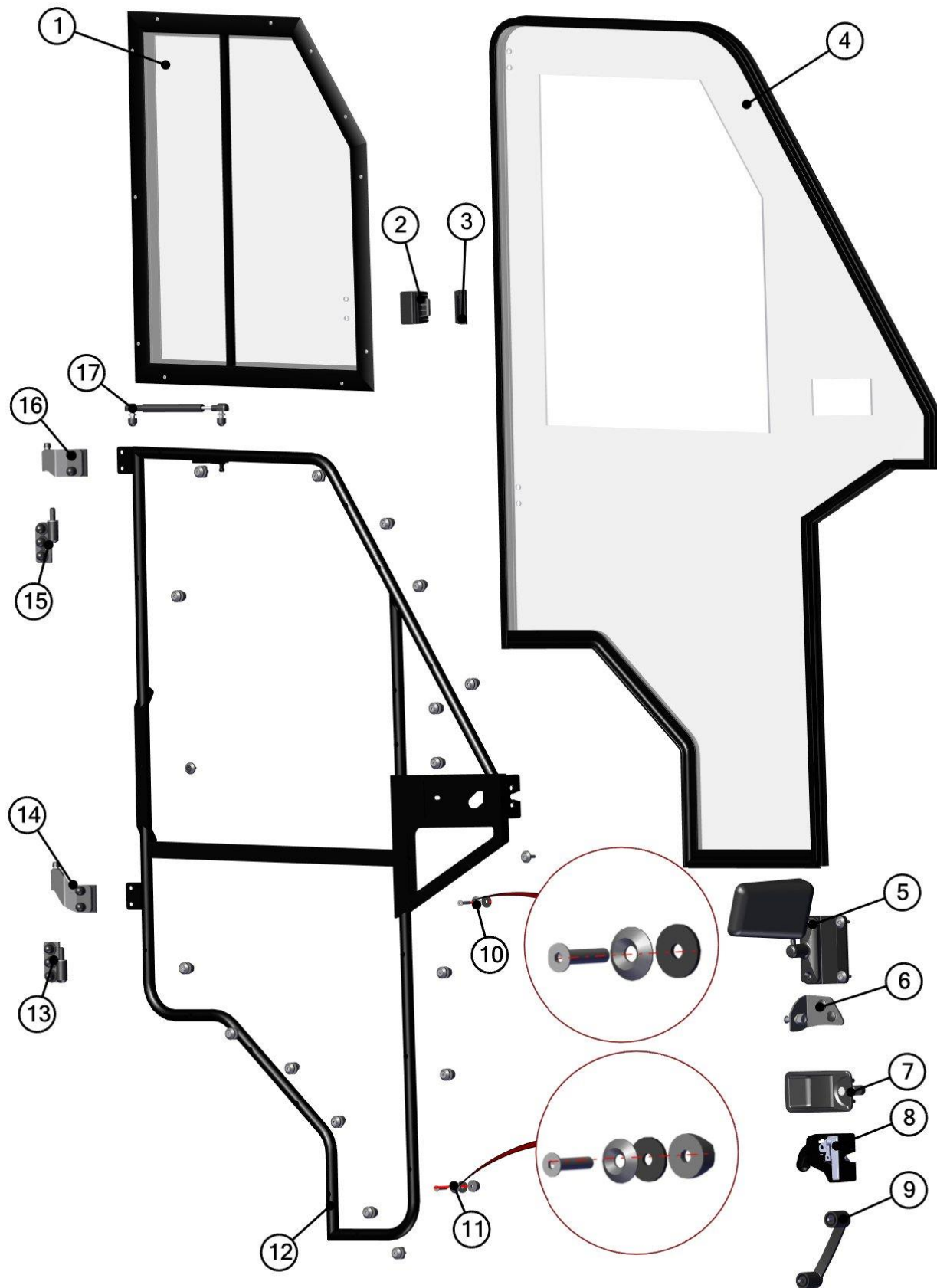


ID	Catalogue no.	Description	Qty
1	42S05U01-50-011	DOOR BASE HOLDER "Ω"	1
2	001309	PLASTIC NUT COVER OK 13	2
3	001388	SELF-LOCKING NUT M8	2
4	003322	WASHER 8 LARGE	2
5	002575	SCREW M8x20	2

DOOR ASSEMBLY



30



LEFT TABLE

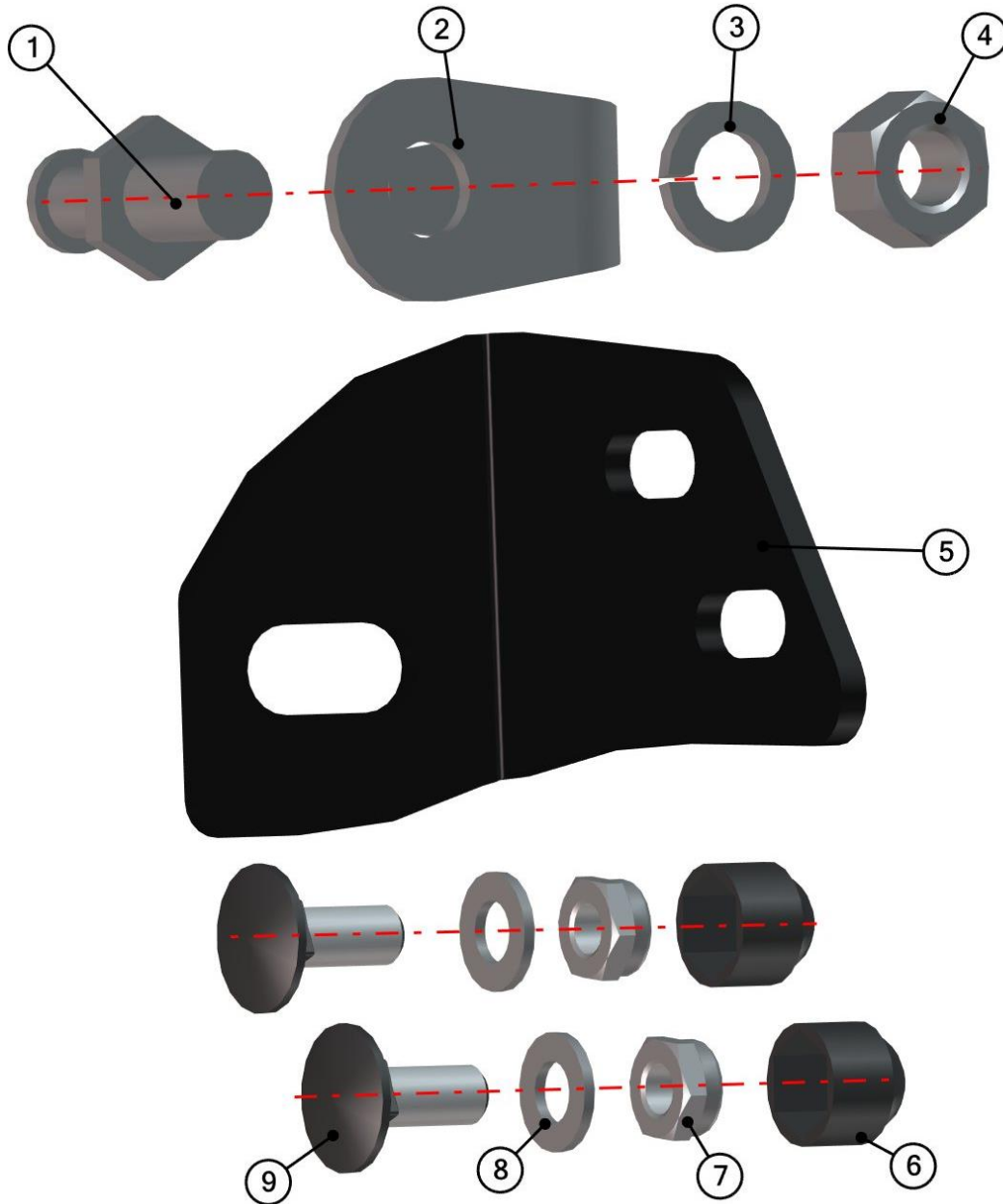
ID	Catalogue no.	Description	Qty
1	42S05U01-40M021	LEFT WINDOW ASSEMBLY	1
2	00-40M008	GLASS LOCK	1
3	001762	GLASS STOP	1
4	42S05U01-40M010	LEFT DOOR POLYCARBONATE	1
5	00-109U-M003	LEFT MIRROR ASSEMBLY	1
6	42S05U01-40M028	LEFT DOOR STOP ASSEMBLY	1
7	000841	OUTER DOOR LOCK	1
8	00-40M019	LEFT INNER DOOR LOCK ASSEMBLY	1
9	42S05U01-50M032	HANDLE ASSEMBLY	1
10	00-00M020	POLYCARBONATE FIXING ASSEMBLY 1	2
11	00-00M019	POLYCARBONATE FIXING ASSEMBLY 2	17
12	42S05U01-40W003	LEFT DOOR FRAME WELDED	1
13	42S05U01-40M018	LEFT BOTTOM FRAME HINGE ASSEMBLY	1
14	42S08U01-40M004	LEFT BOTTOM DOOR HINGE ASSEMBLY	1
15	42S05U01-40M017	LEFT UPPER FRAME HINGE ASSEMBLY	1
16	42S05U01-40M026	LEFT UPPER DOOR HINGE ASSEMBLY	1
17	42S05U01-50M031	GAS SPRING ASSEMBLY	1

RIGHT TABLE

ID	Catalogue no.	Description	Qty
1	42S05U01-50M021	RIGHT WINDOW ASSEMBLY	1
2	00-40M008	GLASS LOCK	1
3	001762	GLASS STOP	1
4	42S05U01-50M010	RIGHT DOOR POLYCARBONATE	1
5	00-109U-M004	RIGHT MIRROR ASSEMBLY	1
6	42S05U01-50M028	RIGHT DOOR STOP ASSEMBLY	1
7	000841	OUTER DOOR LOCK	1
8	00-50M019	RIGHT INNER DOOR LOCK ASSEMBLY	1
9	42S05U01-50M032	HANDLE ASSEMBLY	1
10	00-00M020	POLYCARBONATE FIXING ASSEMBLY 1	2
11	00-00M019	POLYCARBONATE FIXING ASSEMBLY 2	17
12	42S05U01-50W003	RIGHT DOOR FRAME WELDED	1
13	42S05U01-50M018	RIGHT BOTTOM FRAME HINGE ASSEMBLY	1
14	42S08U01-50M004	RIGHT BOTTOM DOOR HINGE ASSEMBLY	1
15	42S05U01-50M017	RIGHT UPPER FRAME HINGE ASSEMBLY	1
16	42S05U01-50M026	RIGHT UPPER DOOR HINGE ASSEMBLY	1
17	42S05U01-50M031	GAS SPRING ASSEMBLY	1

RIGHT FRONT DOOR STOP ASSEMBLY

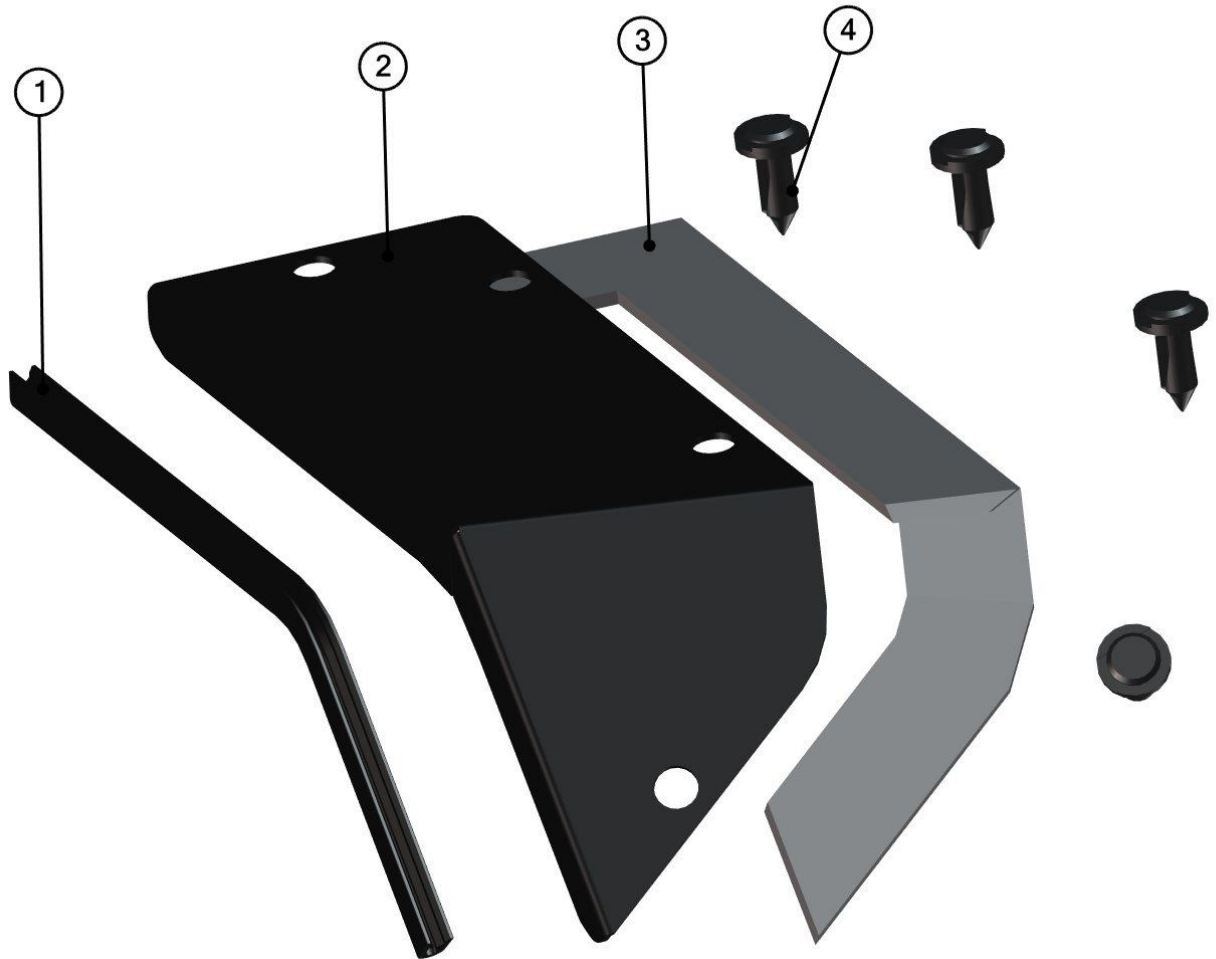
42S05U01-50M028



ID	Catalogue no.	Description	Qty
1	000854	DOOR STOP PIN	1
2	000855	DOOR STOP HOOK	1
3	000857	DOOR STOP WASHER	1
4	000856	DOOR STOP NUT	1
5	42S05U01-50-028	RIGHT FRONT DOOR STOP HOLDER	1
6	001309	PLASTIC NUT COVER OK 13	2
7	001388	SELF-LOCKING NUT M8	2
8	001387	WASHER 8	2
9	002575	SCREW M8x20	2

For the LEFT FRONT DOOR STOP HOLDER just use **42S05U01-40-028**.

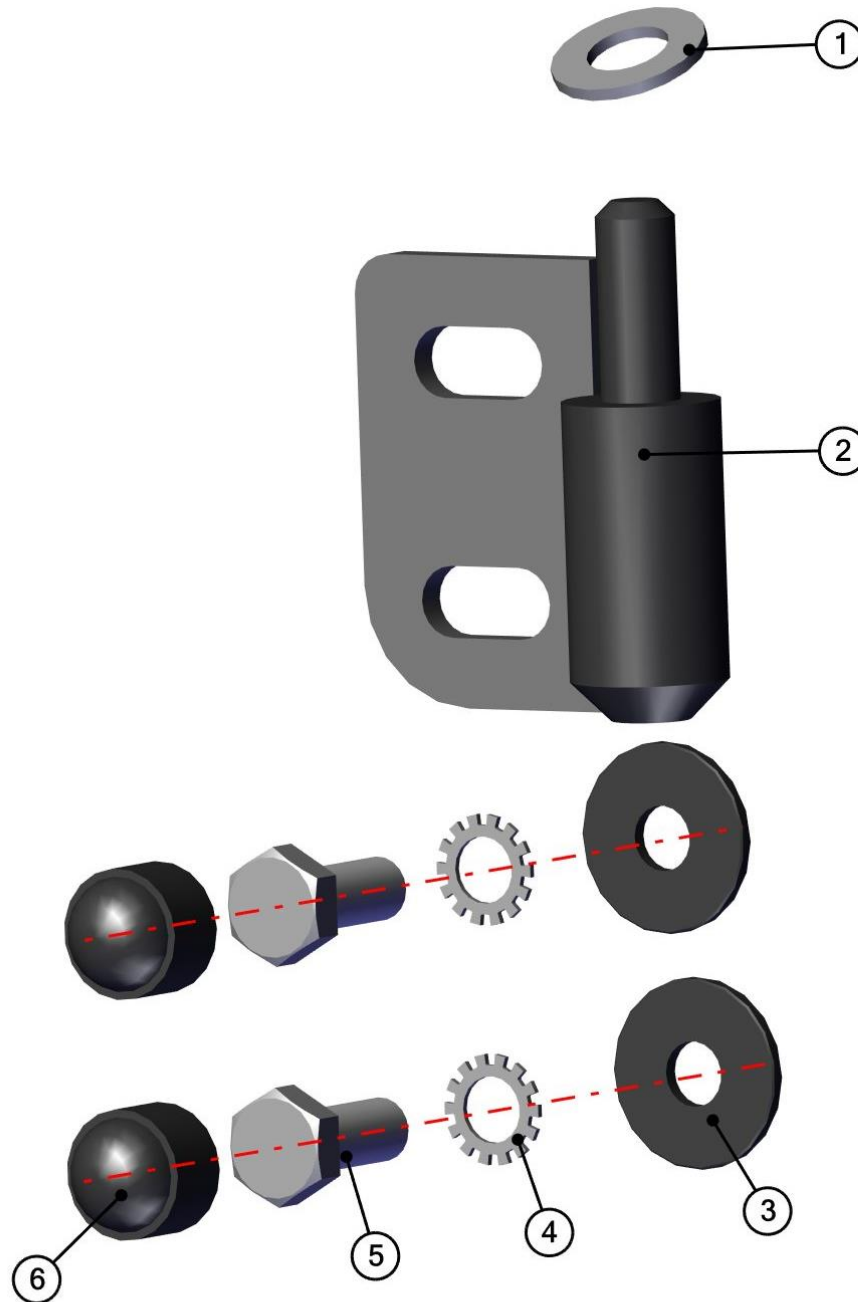
GAS TANK SEALING ASSEMBLY
42S05U01-50M022



ID	Catalogue no.	Description	Qty
1	001001^42S05U01-50M022	RUBBER PROFILE "LEMOVKA"	1
2	42S05U01-50-033	GAS TANK COVER	1
3	001420^42S05U01-50M022	SEAL "PE 25x3"	1
4	002615	RUBBER RIVET	4

RIGHT BOTTOM FRAME HINGE ASSEMBLY

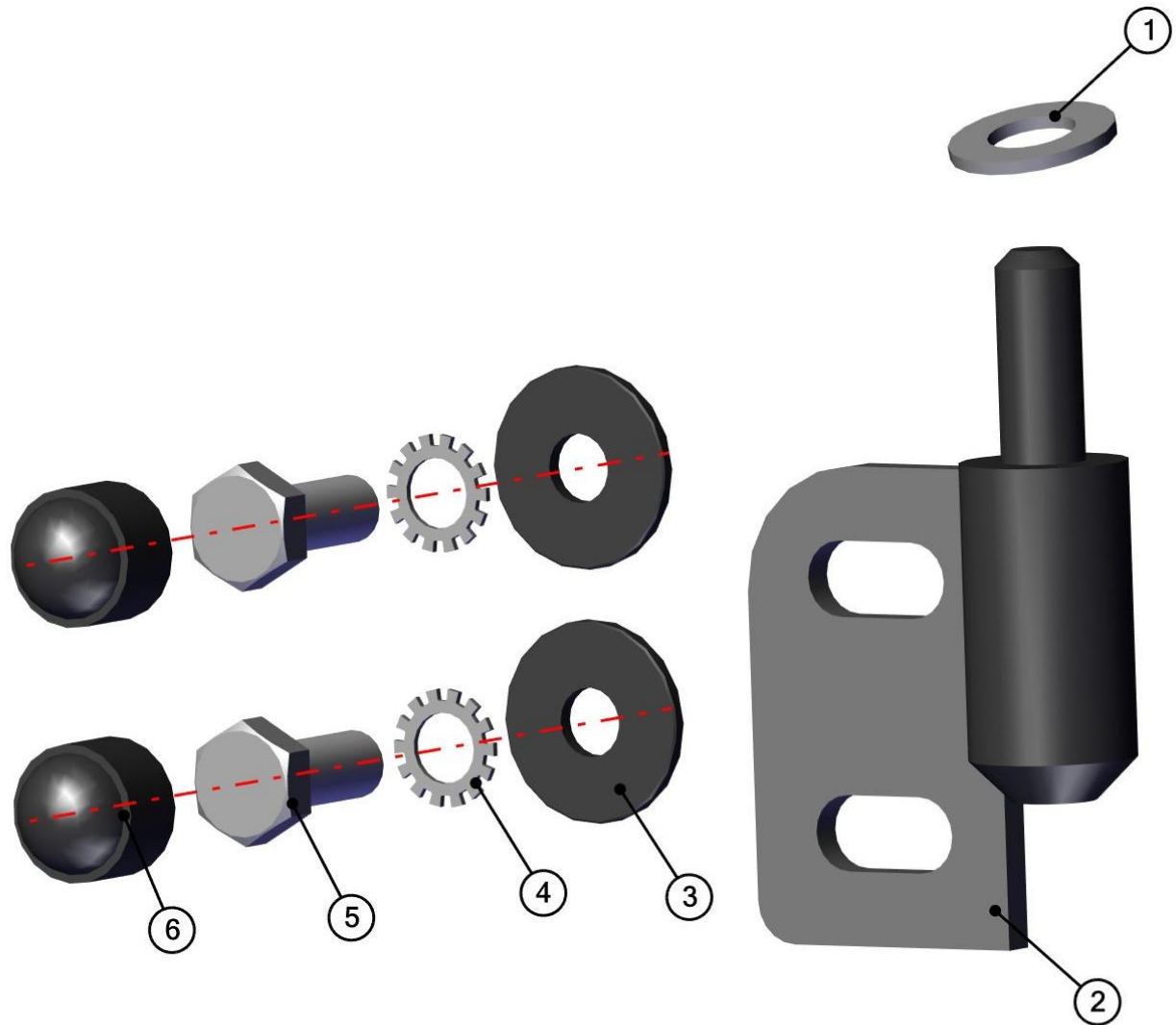
42S05U01-50M018



ID	Catalogue no.	Description	Qty
1	001485	WASHER 10	1
2	42S05U01-50W006	RIGHT BOTTOM FRAME HINGE	1
3	003322	WASHER 8 LARGE	2
4	001489	SERRATED-LOCK WASHER 8	2
5	001437	SCREW M8x20	2
6	001309	PLASTIC NUT COVER OK 13	2

For the LEFT BOTTOM FRAME HINGE just use **42S05U01-40W006**.

RIGHT UPPER FRAME HINGE
42S05U01-50M017

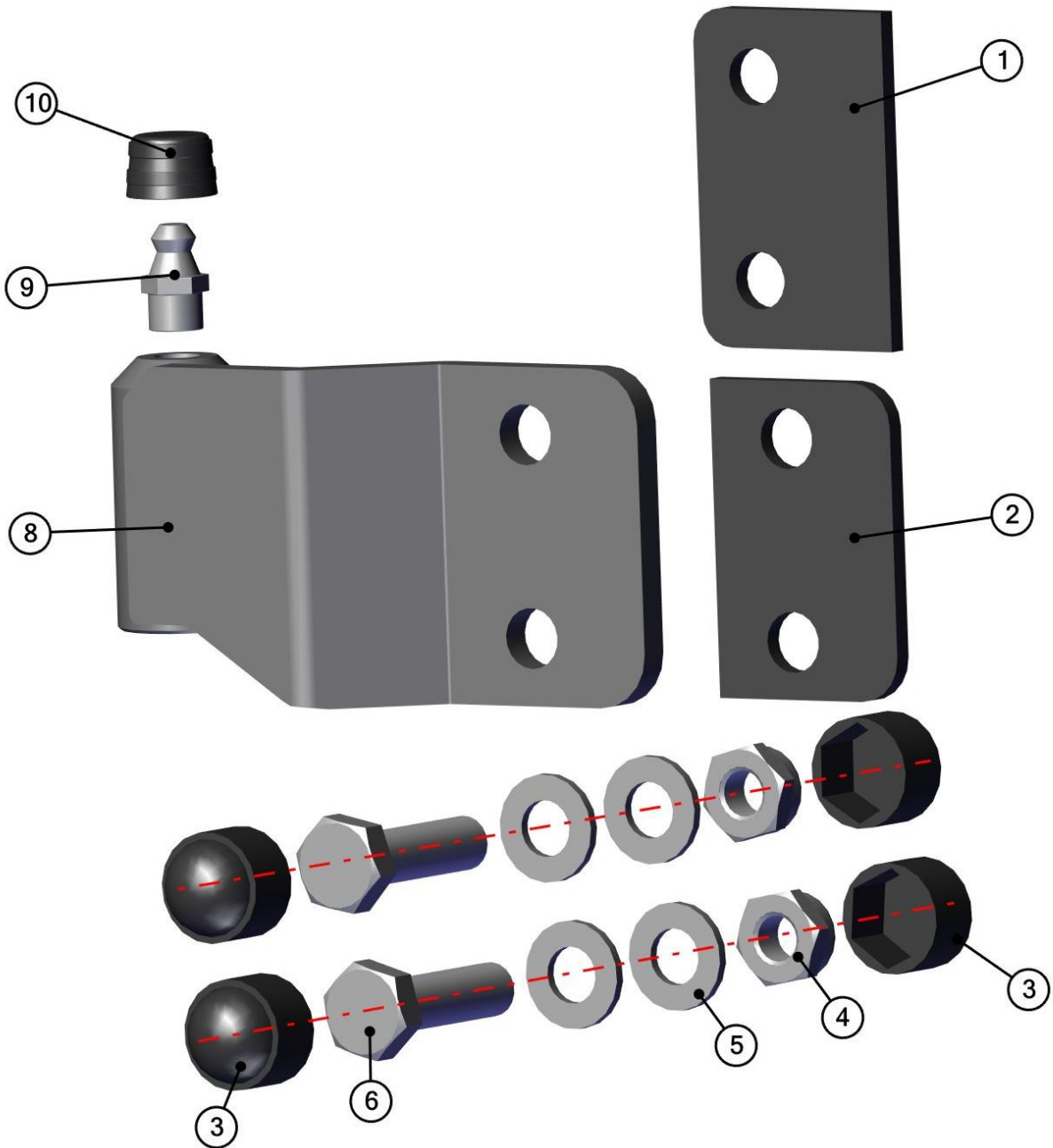


36

ID	Catalogue no.	Derscription	Qty
1	001485	WASHER 10	1
2	42S05U01-50W007	RIGHT UPPER FRAME HINGE	1
3	003322	WASHER 8 LARGE	2
4	001489	SERATTED-LOCK WASHER 8	2
5	001437	SCREW M8x20	2
6	001309	PLASTIC NUT COVER OK 13	2

For the LEFT UPPER FRAME HINGE just use **42S05U01-40W007**.

RIGHT DOOR HINGE ASSEMBLY
42S05U01-50M026

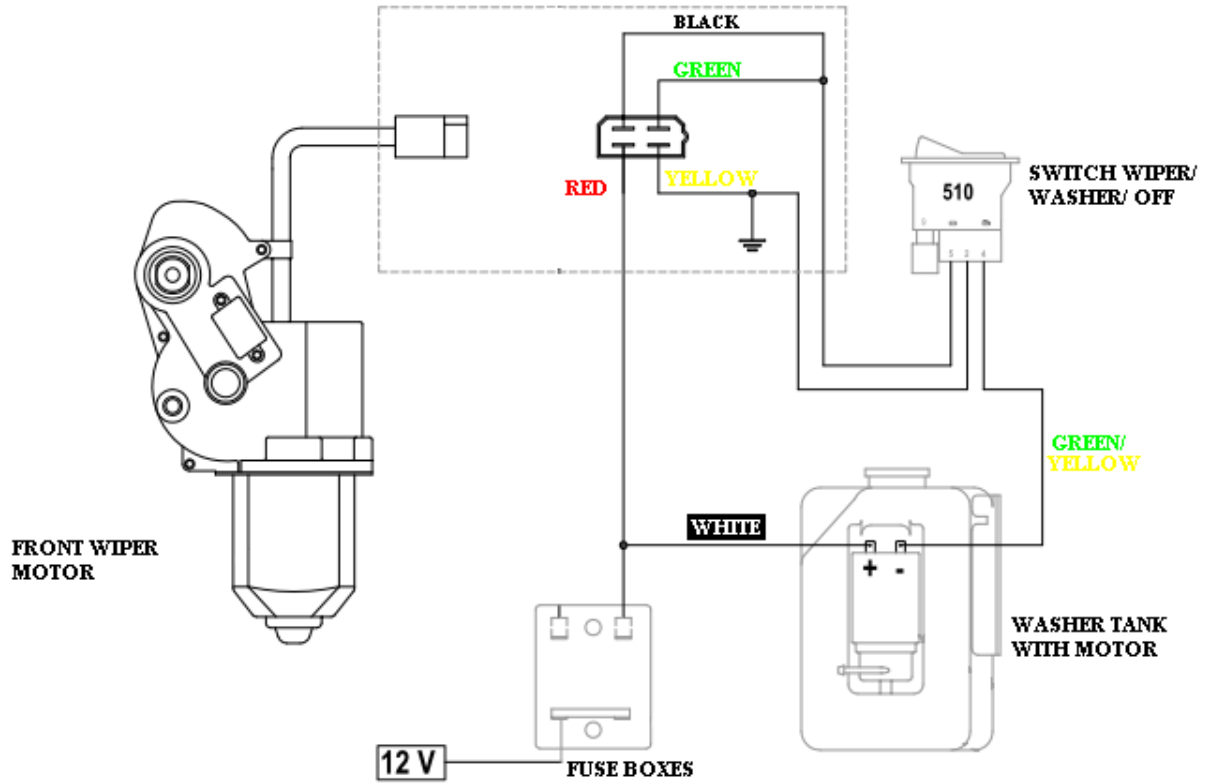


ID	Catalogue no.	Description	Qty
1	00-105U-014	FRAME WASHER	1
2	00-105U-016	HINGE WASHER	1
3	001309	PLASTIC NUT COVER OK 13	4
4	001388	SELF-LOCKING NUT M8	2
5	001387	WASHER 8	4
6	001411	SCREW M8x30	2
8	42S05U01-50W011	RIGHT DOOR HINGE	1
9	001430	LUBRICATOR	1
10	001431	RUBBER CORVER	1

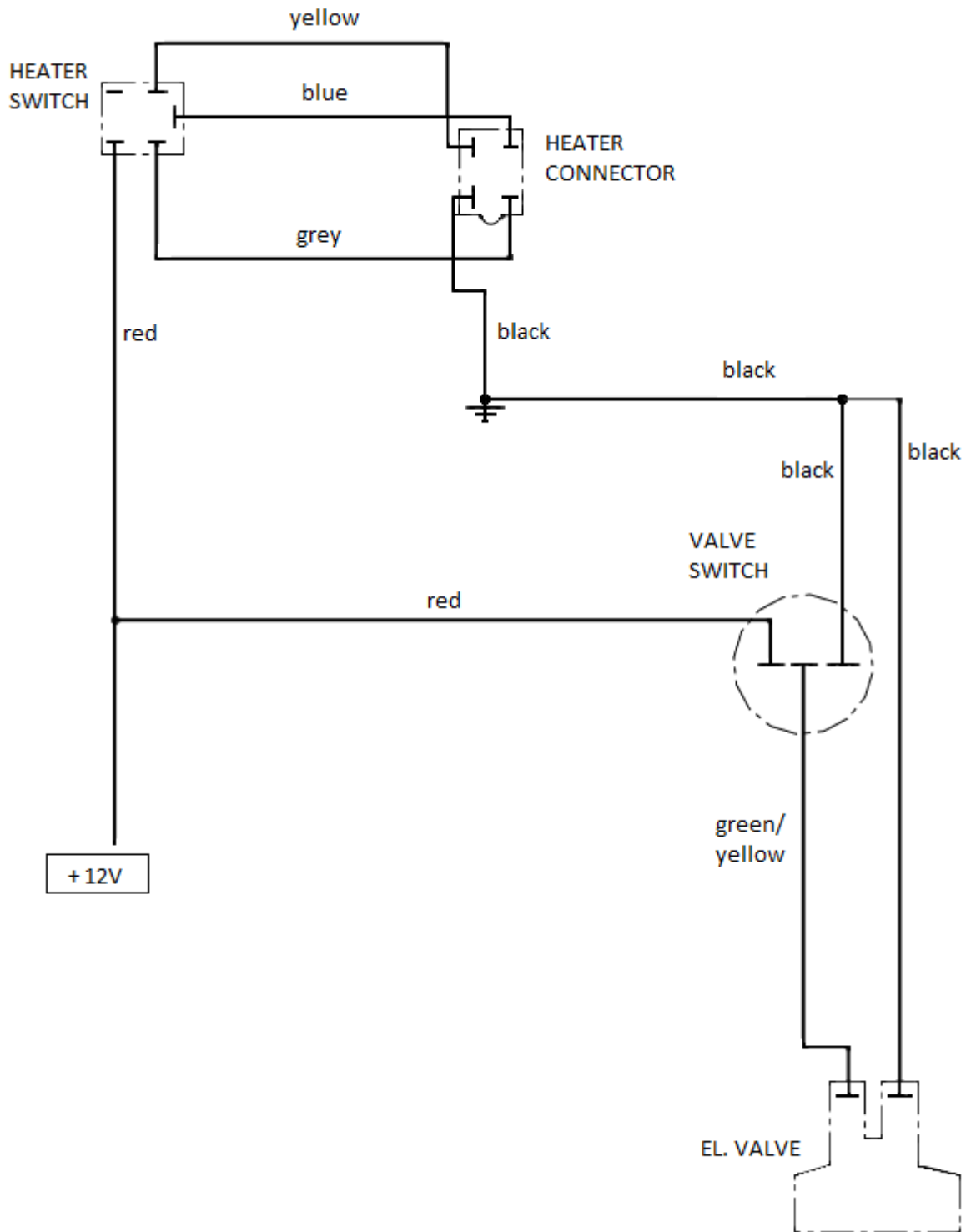
For the LEFT DOOR HINGE just use **42S05U01-40W011**.

ELECTROINSTALLATION

Overall wiring diagram (wiper/washer)



Overall wiring diagram (heater)



Position	Catalogue no.	Description	Qty
1	000968	SWITCH WIPER /WASHER /OFF	1
2	000885	WASHER TANK	1
3	001576	WASHER MOTOR	1
4	001652	FUSE BOX 2x1	1
5	002764	WIPER MOTOR 12V	1
6	42S05U01-01M002	WIPER HARNESS	1
7	42S08U01-02M002	HEATER HOLDER	1
8	002491	AIR VENT VALVE	1
9	002386	ELECTROMAGNETIC VALVE	1
10	001367	TIGHTENING STRAP 12-22MM	2
11	002642	TIGHTENING STRAP 14-27MM	10
12	002643	TIGHTENING STRAP 21-38MM	2
13	001368	TIGHTENING STRAP 40-60MM	4
14	002863	AIR VENT SMALLER	2
15	002379	AIR VENT BIGGER	2
16	002795	AIR HOSE	1
17	002705	AL SELFGLUED TAPE	1
18	003536	HEATER TUBE "Y" SMALL	1
19	002502	HEATER TUBE "Y" LARGE	1
20	002391	EL.VENT SWITCH	1
21	002702	HEATER SWITCH	1
22	42S08U01-02M003	HEATER HARNESS	1
23	000896	HEATER HOSE	1
24	002624	HEATER	1
25	42S06U01-03M001	WASHER HARNESS	1

SEE PICTURES ON NEXT PAGES



Position : 1

Catalogue no.: 000968



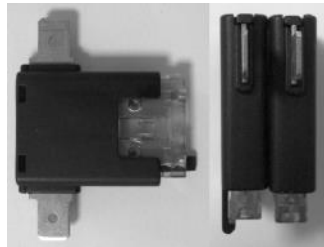
Position : 2

Catalogue no.: 000885



Position : 3

Catalogue no.: 001576



Position : 4

Catalogue no.: 001652



Position : 5

Catalogue no.: 002764



Position : 6

Catalogue no.: 42S05U01-01M002



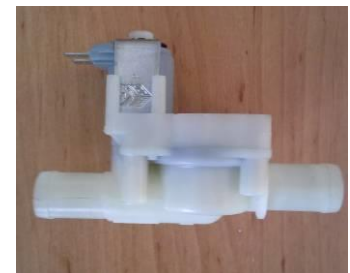
Position : 7

Catalogue no.: 42S08U01-02M002










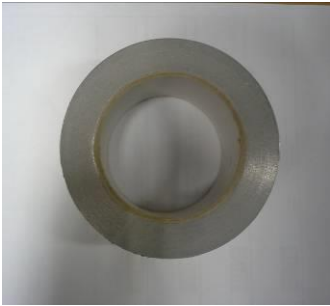

Position : 8

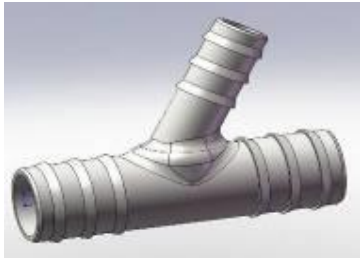
Catalogue no.: 002491



Position : 9

Catalogue no.: 002386

		
Position : 10	Position : 11	Position : 12
Catalogue no.: 001367	Catalogue no.: 002642	Catalogue no.: 002643
		
Position : 13	Position : 14	Position : 15
Catalogue no.: 001368	Catalogue no.: 002863	Catalogue no.: 002739
		
Position : 16	Position : 17	Position : 18
Catalogue no.: 002795	Catalogue no.: 002705	Catalogue no.: 003536



Position : 19

Catalogue no.: 002502

Position :20

Catalogue no.: 002391

Position : 21

Catalogue no.: 002702



Position : 22

**Catalogue no.:
42S08U01-02M003**

Position : 23

Catalogue no.: 000896

Position : 24

Catalogue no.: 002624



Position : 25

**Catalogue no.:
42S05U01-03M001**