

HardCabs

A DFK AMERICA COMPANY

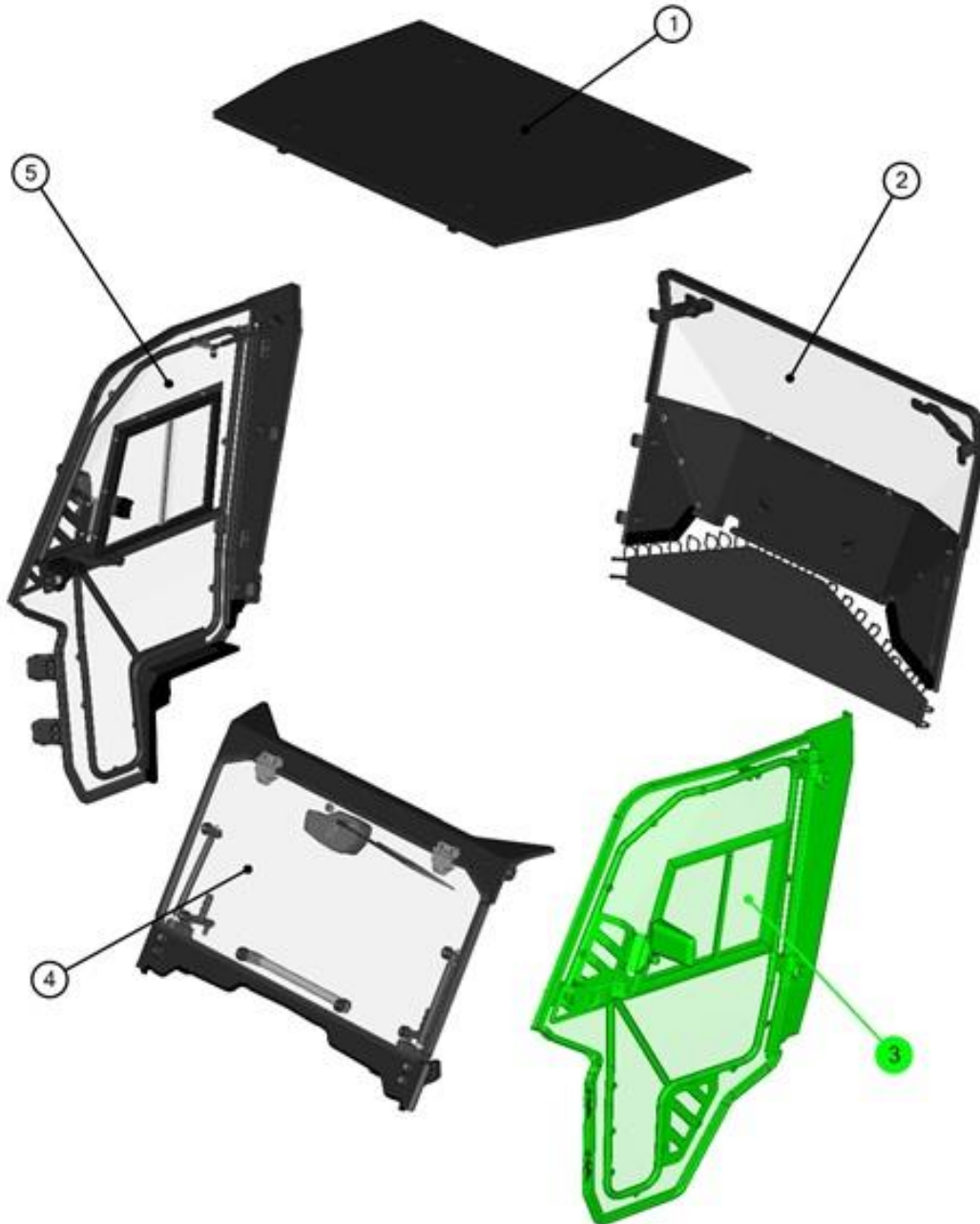
SPARE - PARTS CATALOGUE

POLARIS **RNG 1000 XP ESP (2018)**



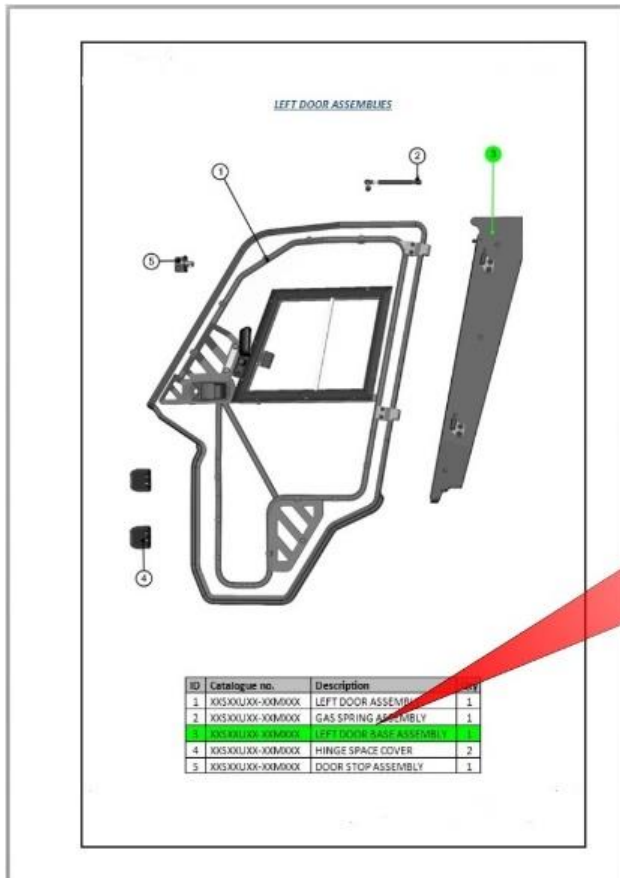
SEARCH INSTRUCTIONS

1. Select the panel that interests you and go to the appropriate page catalog.

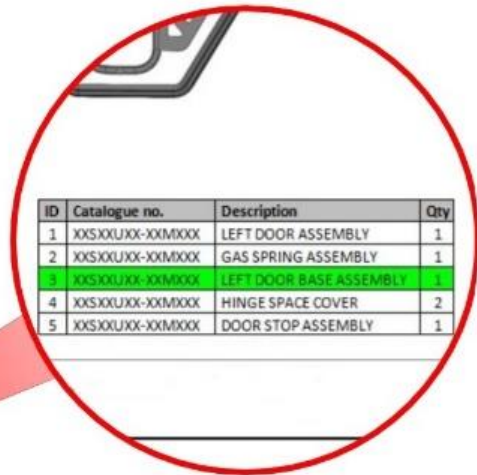


ID	Catalogue no.	Description	Qty	Page
1	XXSXXUXXSXX	ROOF PANEL	1	19
2	XXSXXUXXSXX	REAR PANEL	1	22
3	XXSXXUXXSXX	LEFT DOOR	1	32
4	XXSXXUXXSXX	FRONT PANEL	1	7
5	XXSXXUXXSXX	RIGHT DOOR	1	46

SEARCH INSTRUCTIONS



2. Select the name of assembly that interests you (box description).

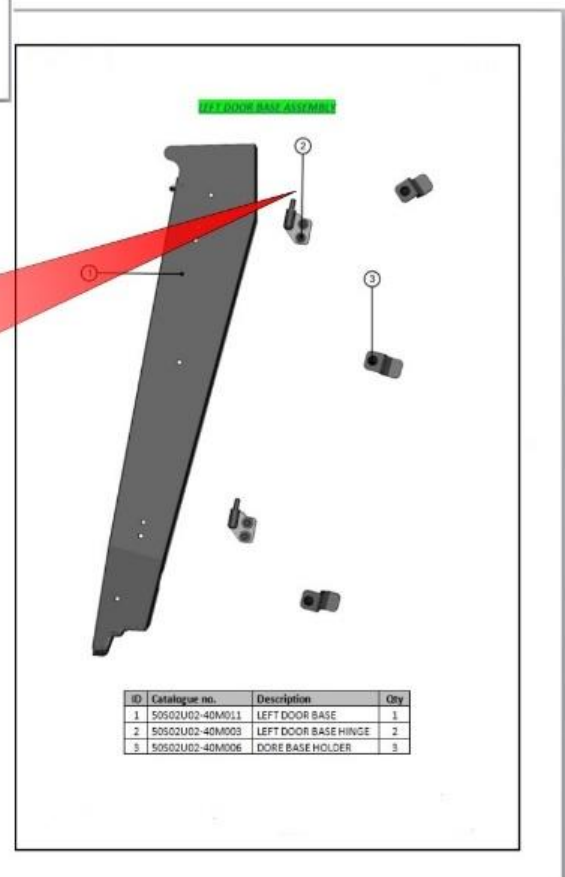


3. Find the page with the same headline like the name of selected items.

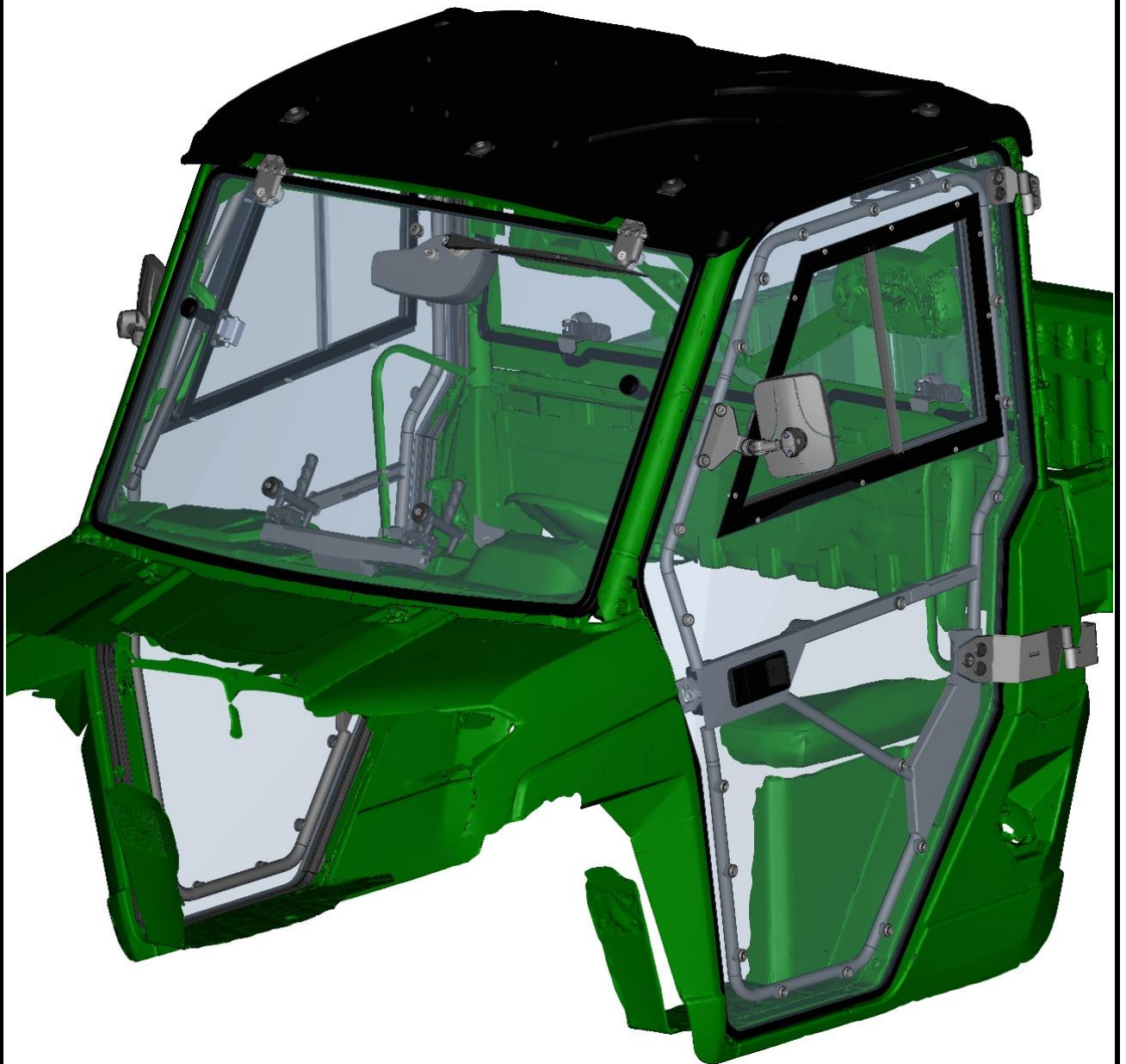


4. Repeat the previous steps to find required part.

5. If you wish to order something please send us relevant Catalogue no. + Description

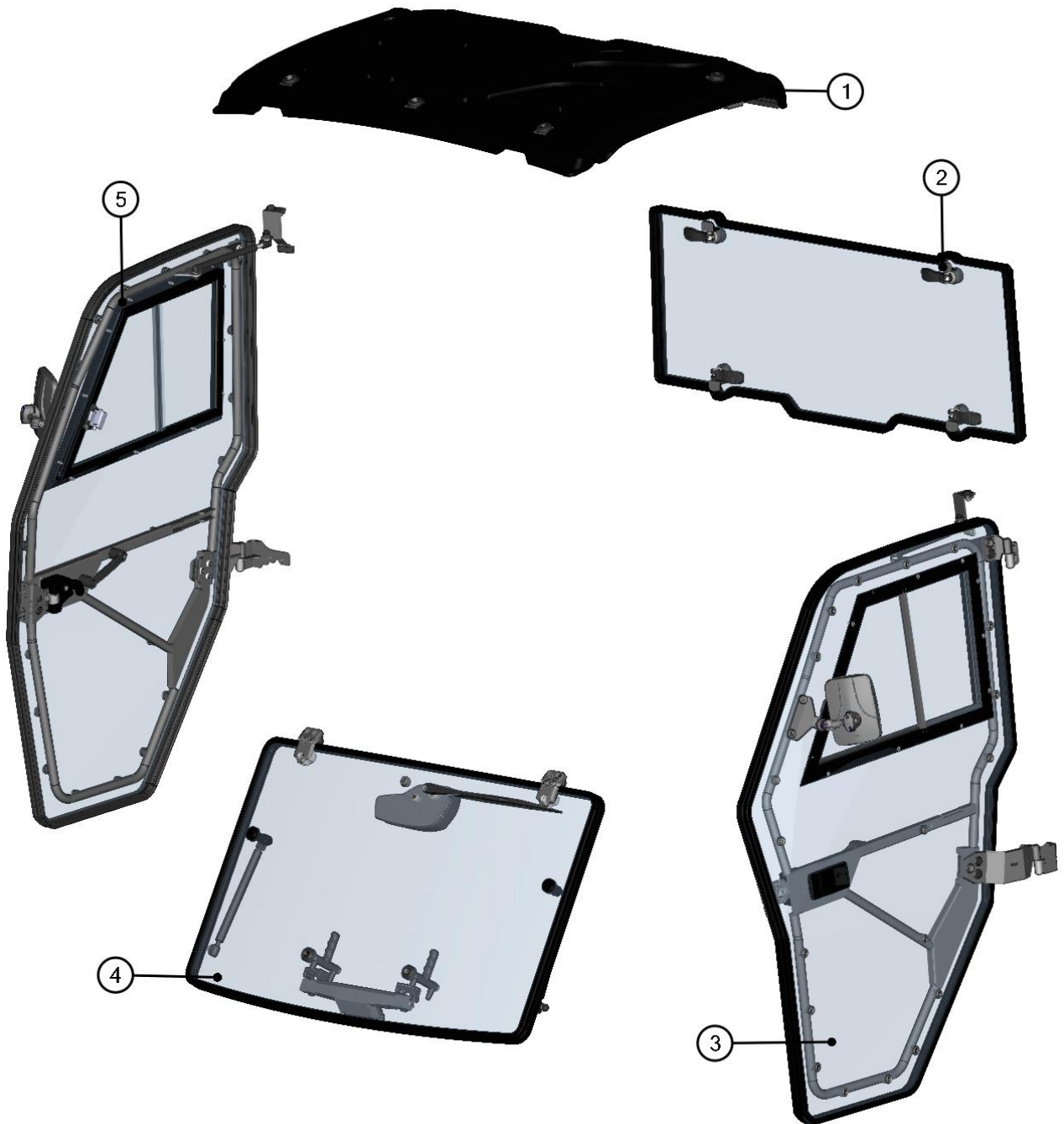


CAB PREVIEW



4

CAB PANELS

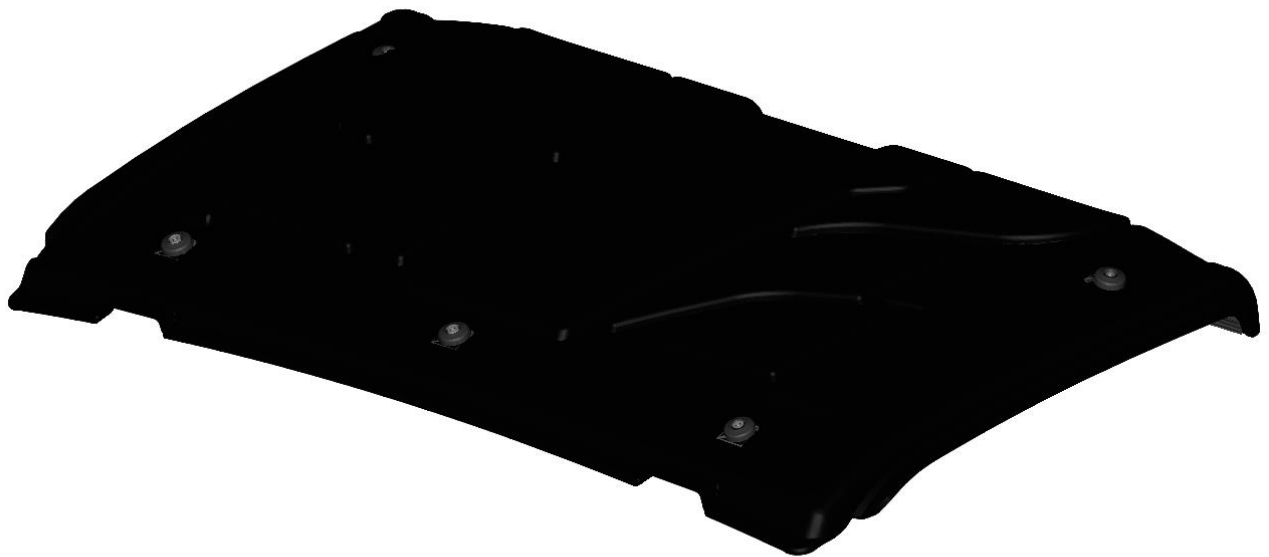


5

ID	Catalogue no.	Description	Qty
1	32S05U01S30	ROOF PANEL	1
2	32S12U01S20	REAR PANEL	1
3	32S12U01S40	LEFT DOOR	1
4	32S12U01S10	FRONT PANEL	1
5	32S12U01S50	RIGHT DOOR	1

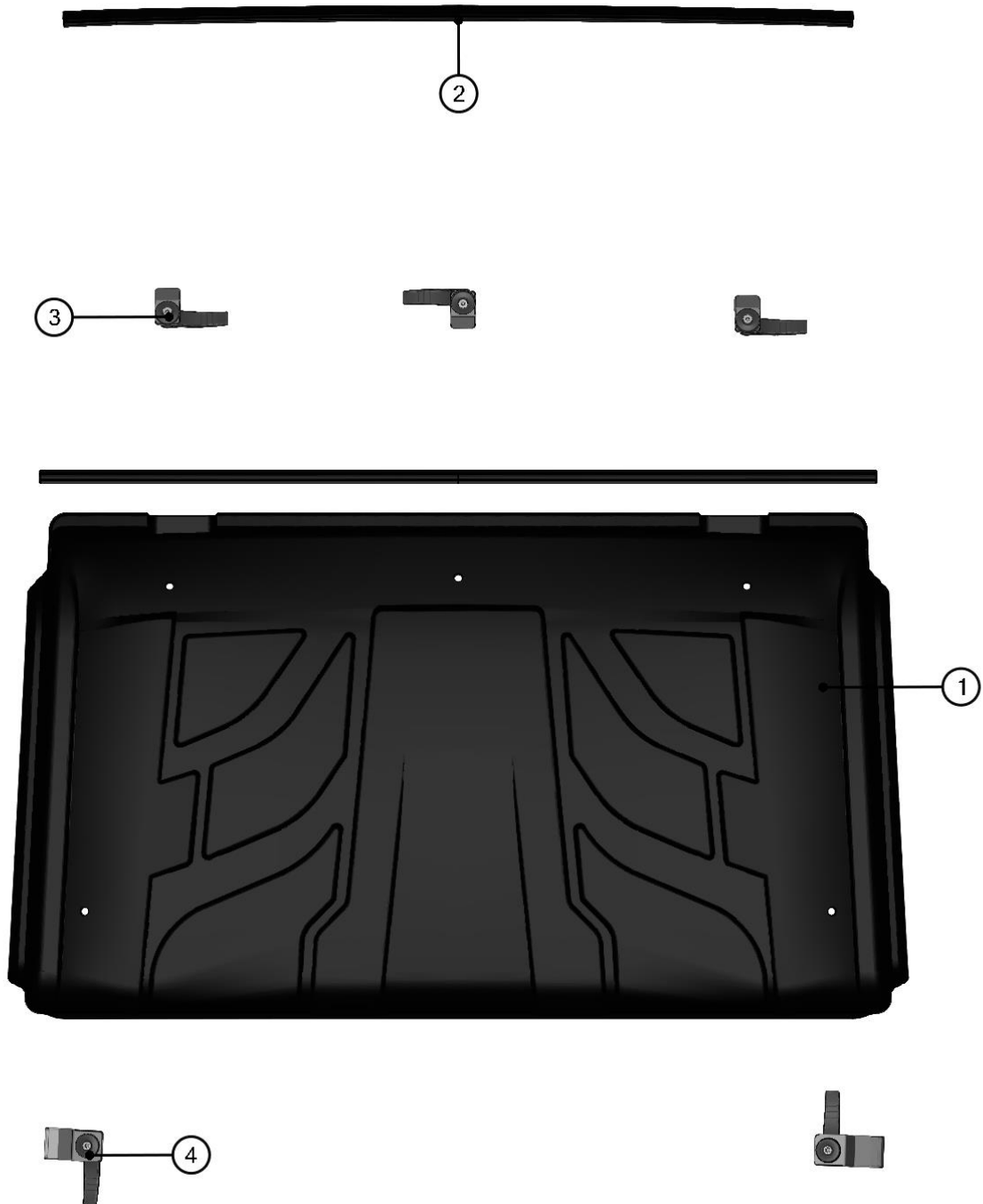
Page
7
11
19
15
32

ROOF PANEL



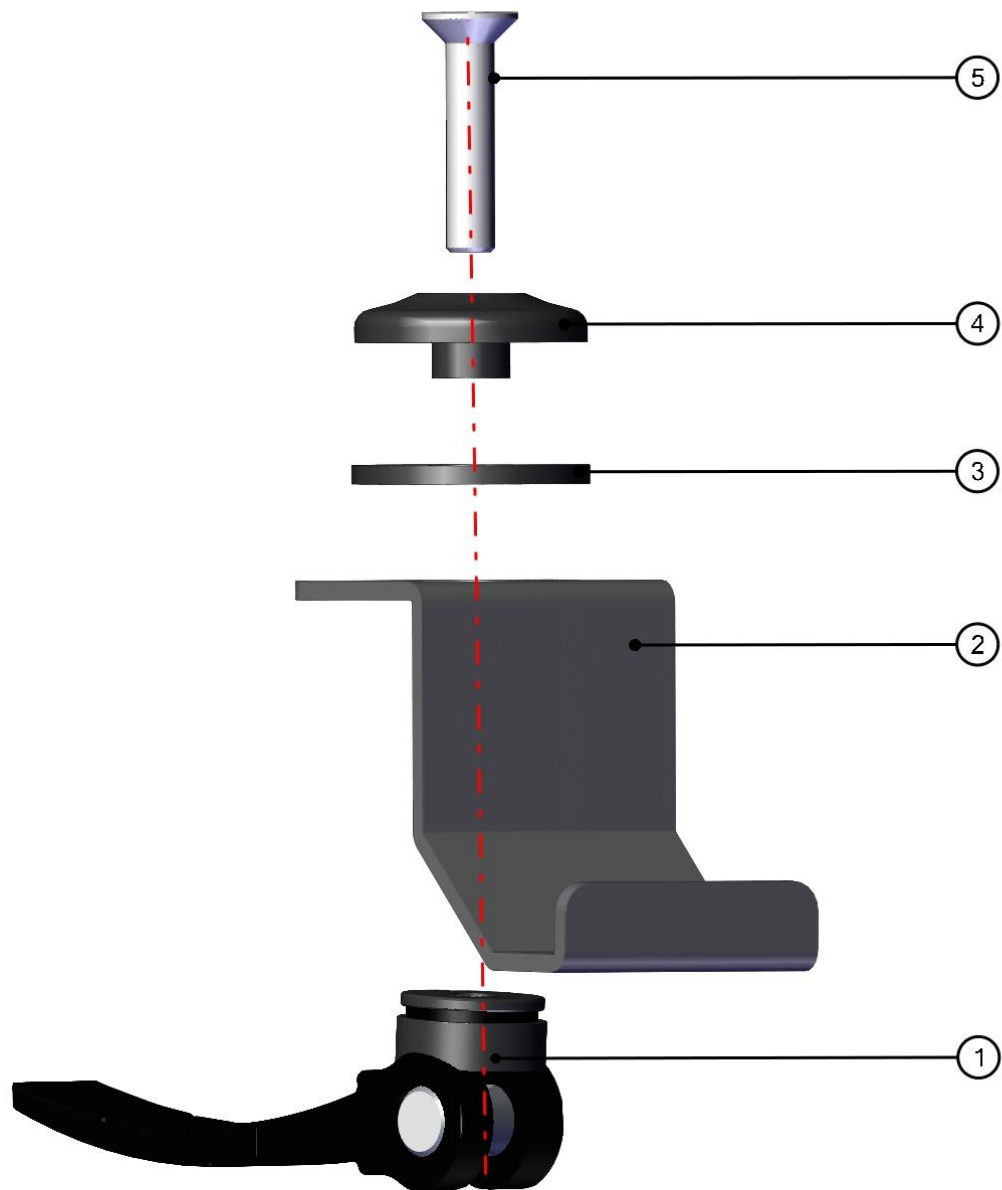
6

ROOF PANEL ASSEMBLIES



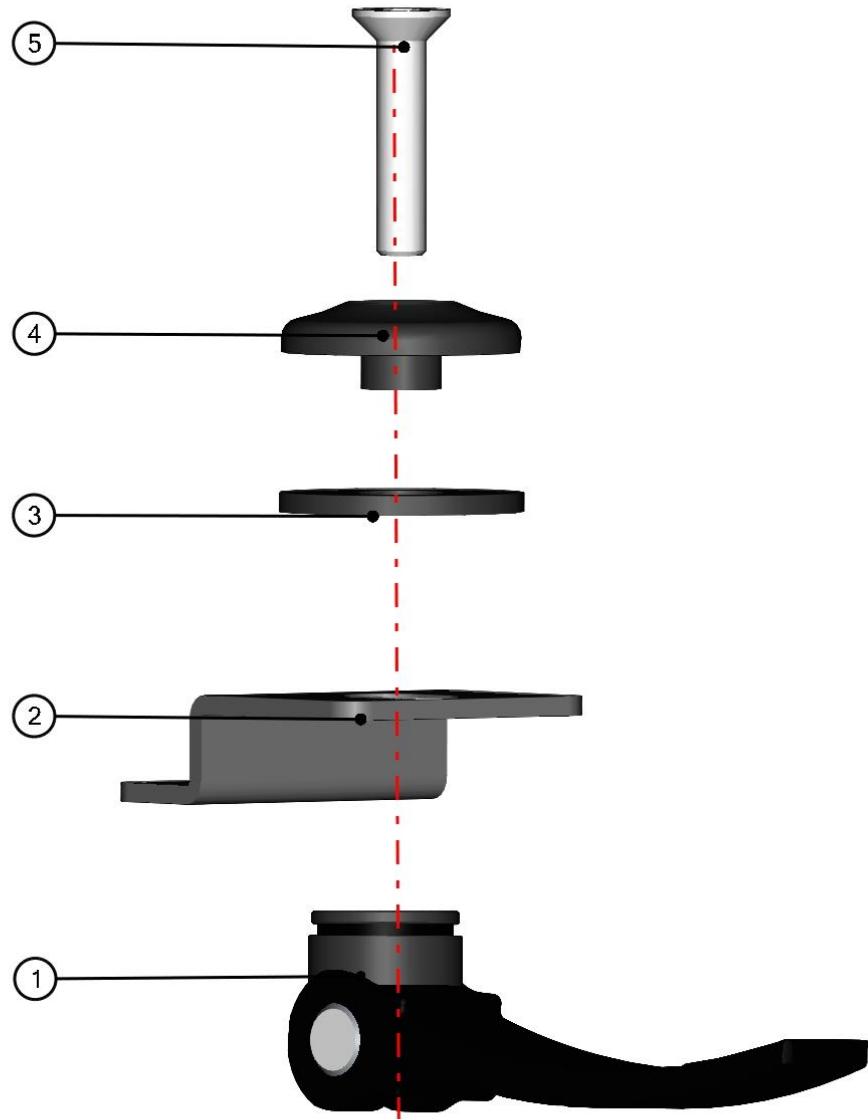
ID	Catalogue no.	Description	Qty
1	32S12U01-30M001	PLASTIC ROOF WITH UPHOLSTERY FABRIC	1
2	001010^32S12U01S30	RUBBER PROFILE "SARAZIN"	1
3	32S12U01-30M003	FRONT ROOF PANEL HOLDER ASSEMBLY	3
4	32S12U01-30M004	REAR ROOF PANEL HOLDER ASSEMBLY	2

SIDE ROOF PANEL HOLDER ASSEMBLY



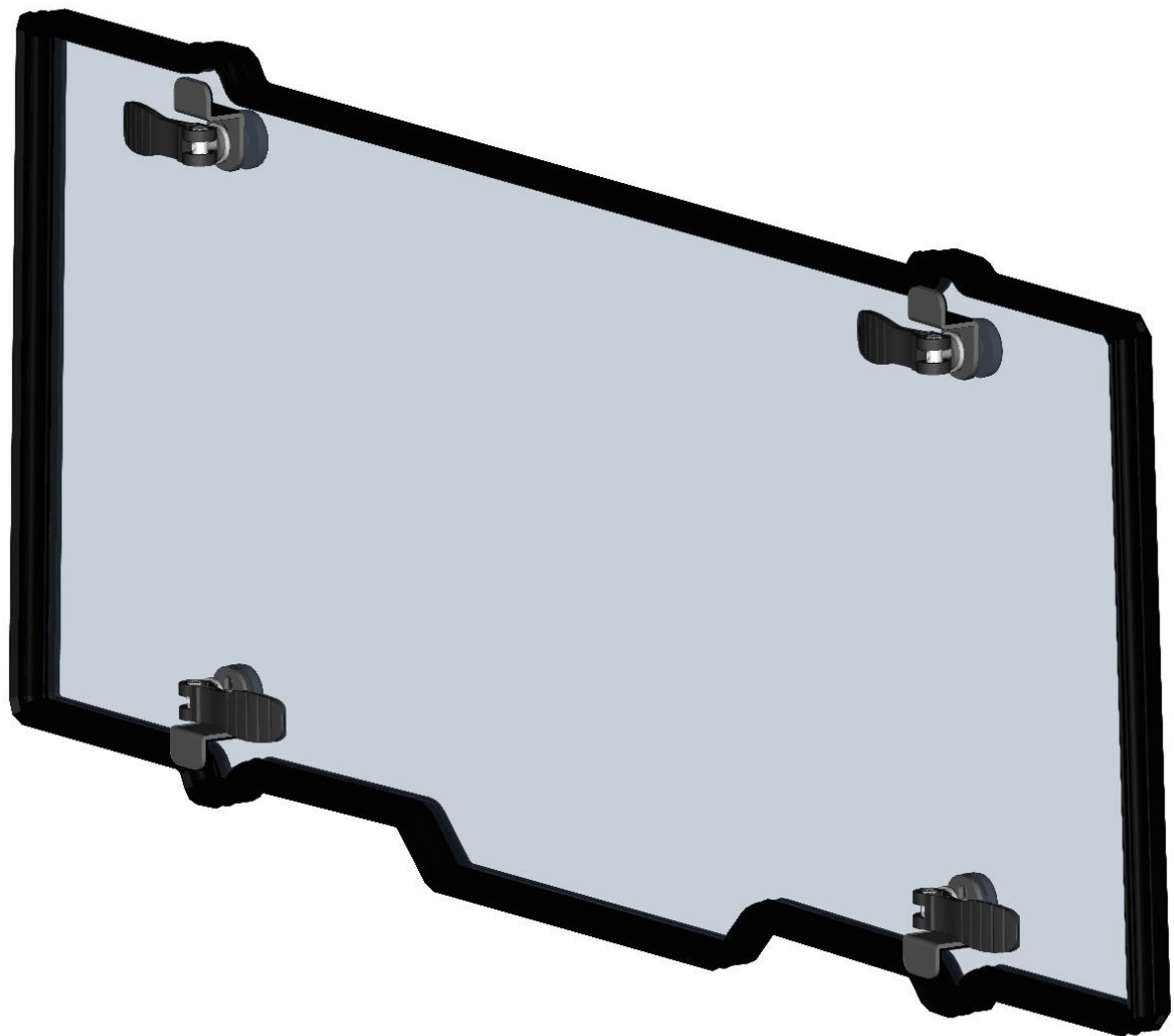
ID	Catalogue no.	Description	Qty
1	00-117U-M007	CLAMPING LEVER	1
2	32S05U01-30-003	SIDE ROOF PANEL HOLDER	1
3	001428	RUBBER WASHER	1
4	001429	PLASTIC NOG	1
5	002607	SCREW M8x40	1

FRONT ROOF PANEL HOLDER ASSEMBLY



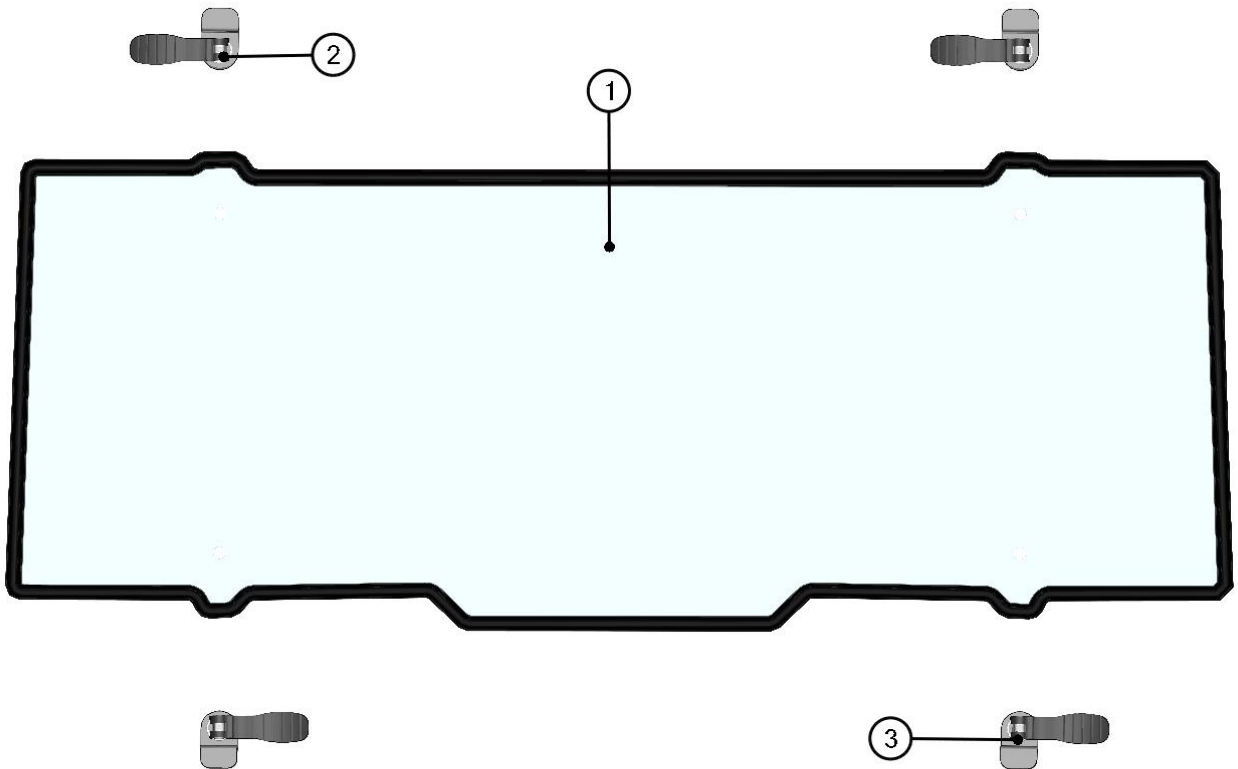
ID	Catalogue no.	Description	Qty
1	00-117U-M007	CLAMPING LEVER	1
2	32S05U01-30-005	FRONT ROOF PANEL HOLDER	1
3	001428	RUBBER WASHER	1
4	001429	PLASTIC WASHER	1
5	002607	SCREW M8x40	1

REAR PANEL



10

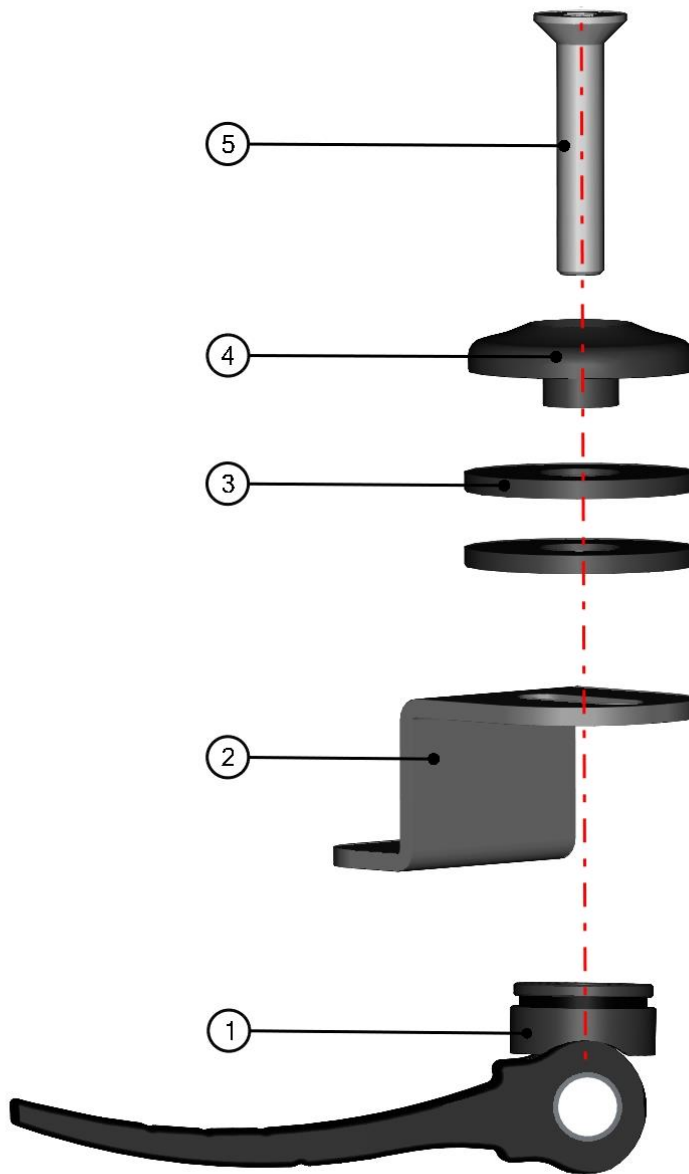
REAR PANEL ASSEMBLIES



11

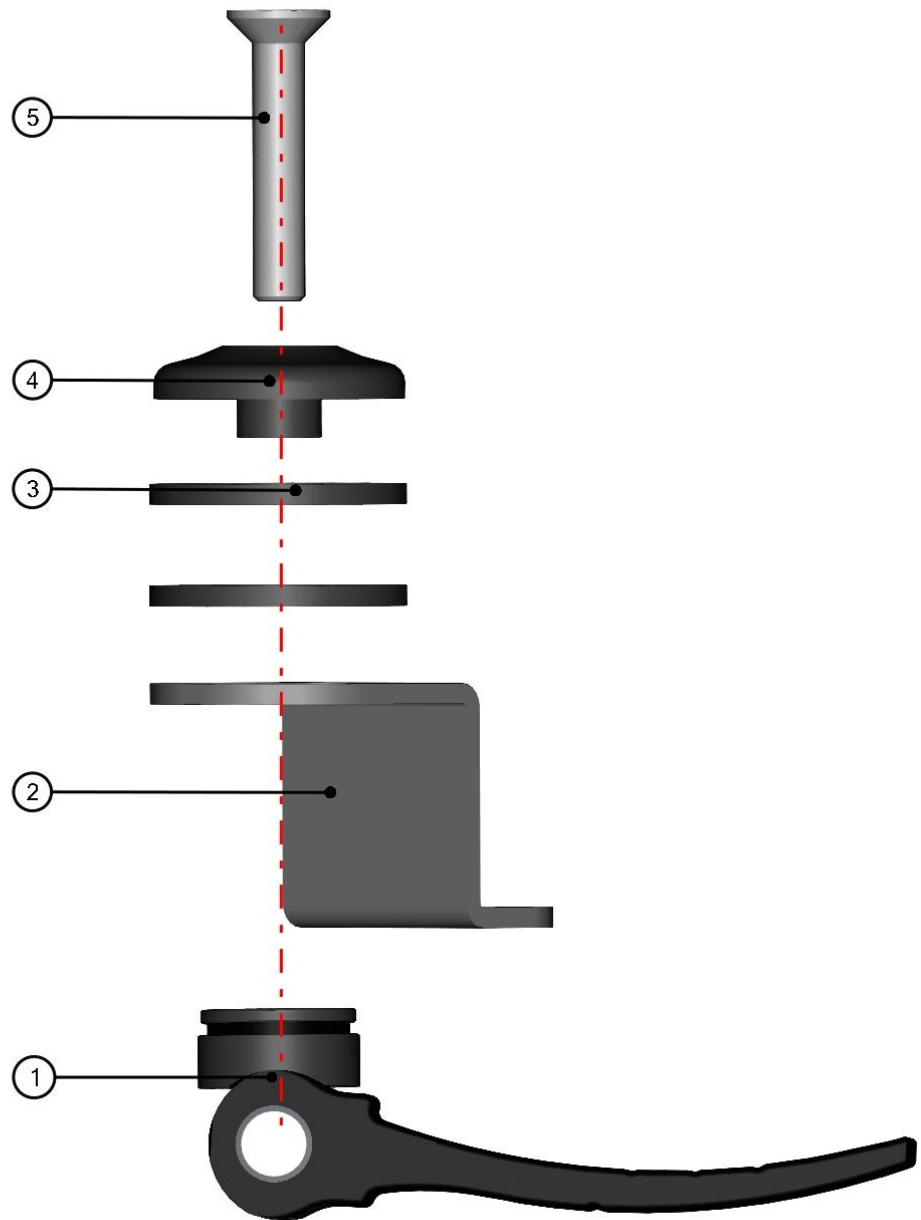
ID	Catalogue no.	Description	Qty
1	32S12U01-20M001	REAR GLASS WITH SEALING	1
2	32S12U01-20M003	REAR PANEL UPPER HOLDER ASSEMBLY	2
3	32S12U01-20M002	REAR PANEL BOTTOM HOLDER ASSEMBLY	2

REAR PANEL UPPER HOLDER ASSEMBLY



ID	Catalogue no.	Description	Qty
4	00-117U-M007	CLAMPING LEVER	1
5	32S12U01-20-002	REAR PANEL BOTTOM HOLDER	1
6	001428	RUBBER WASHER	2
7	001429	PLASTIC WASHER	1
8	001694	SCREW M8x45	1

REAR PANEL BOTTOM HOLDER ASSEMBLY



13

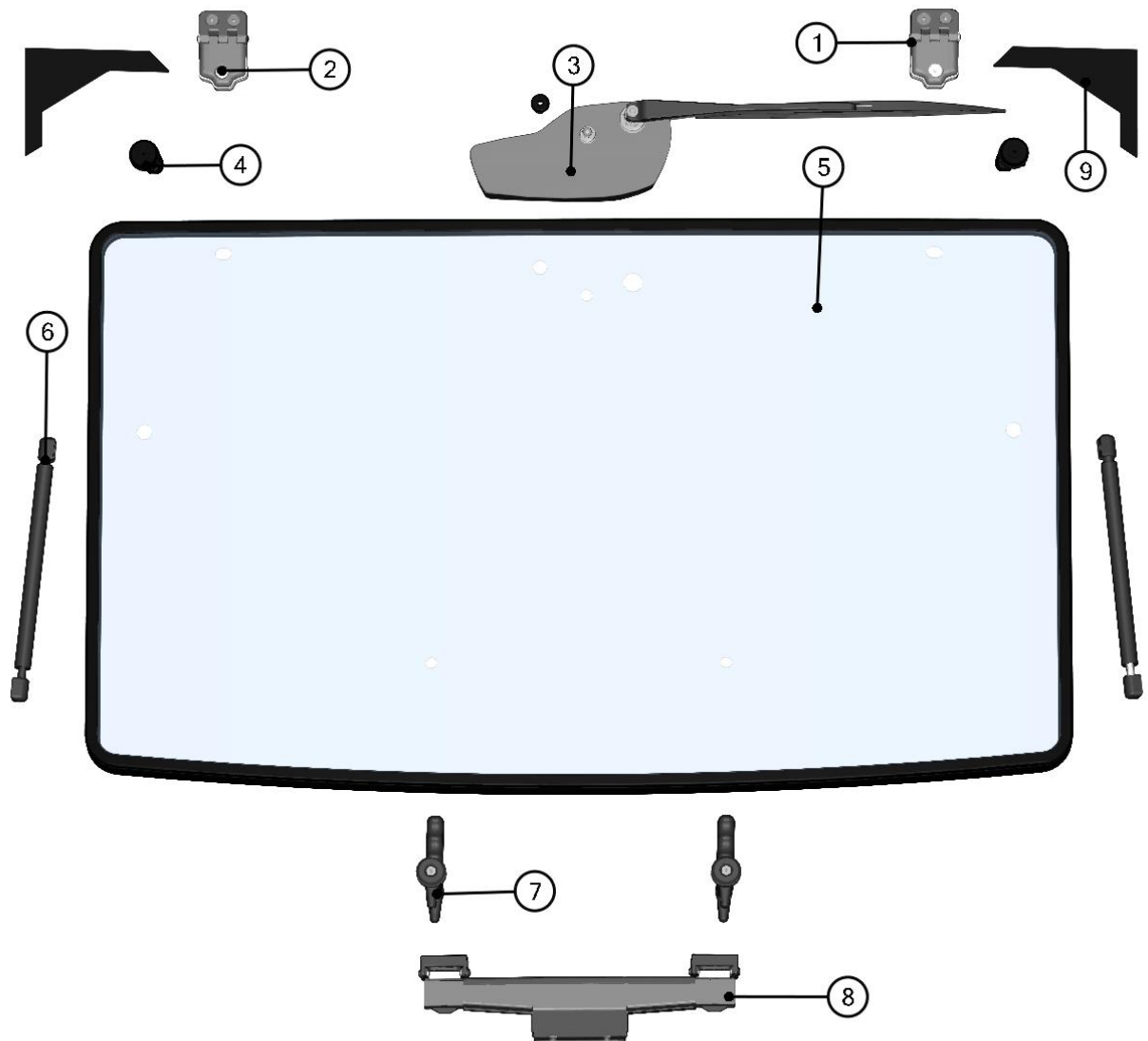
ID	Catalogue no.	Description	Qty
1	00-117U-M007	CLAMPING LEVER	1
2	32S12U01-20-002	REAR PANEL BOTTOM HOLDER	1
3	001428	RUBBER WASHER	2
4	001429	PLASTIC WASHER	1
5	001694	SCREW M8x45	1

FRONT PANEL



14

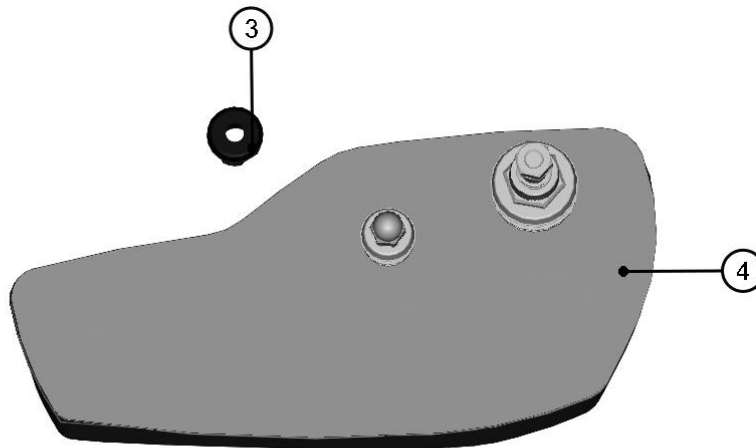
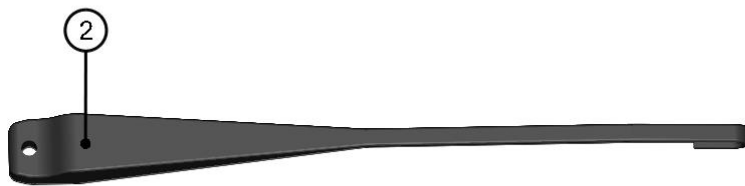
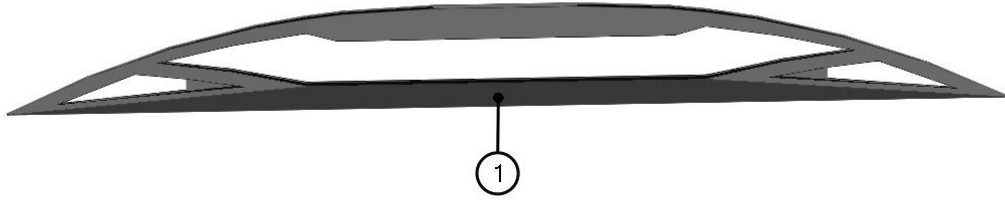
FRONT PANEL ASSEMBLIES



15

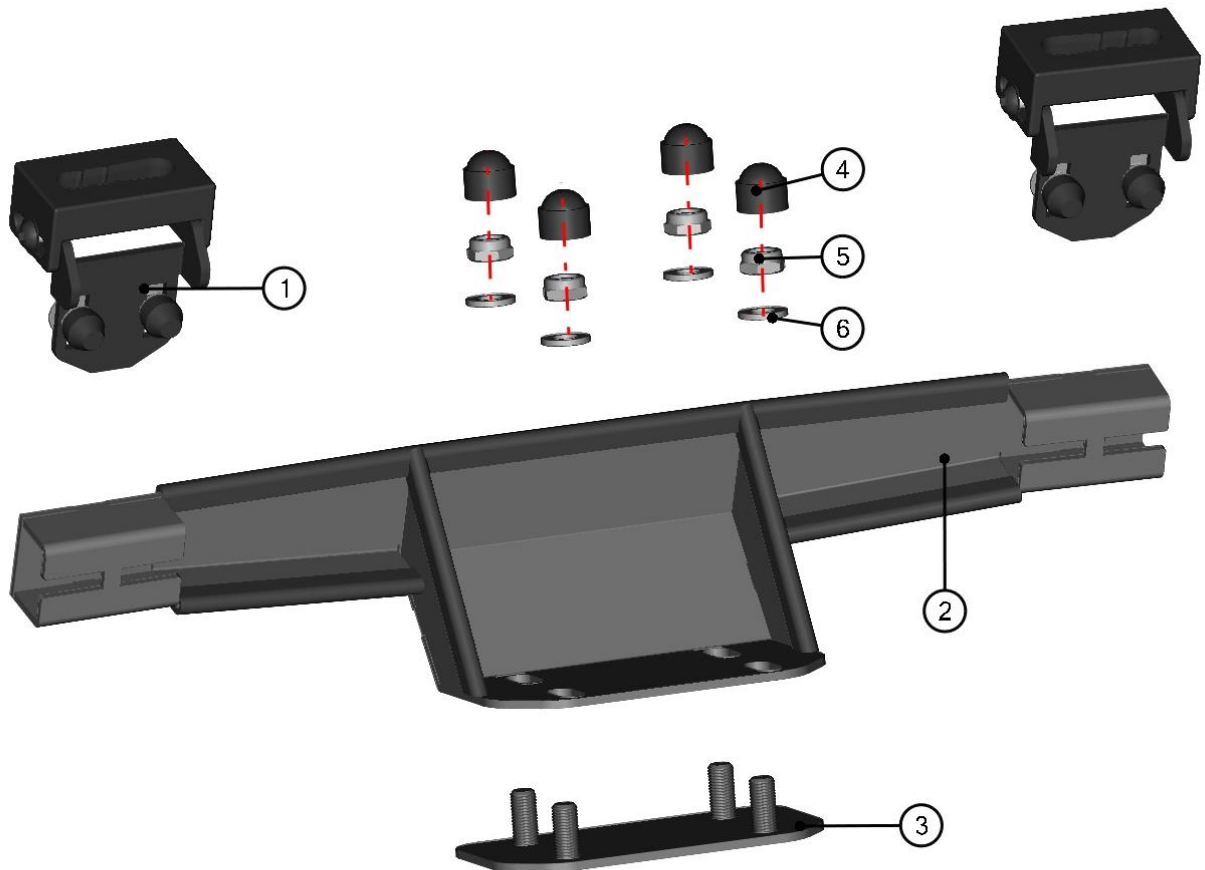
ID	Catalogue no.	Description	Qty
1	32S05U01-10M006	LEFT FRONT PANEL HINGE ASSEMBLY	1
2	32S05U01-10M007	RIGHT FRONT PANEL HINGE ASSEMBLY	1
3	32S12U01-10M004	WIPER ASSEMBLY	1
4	00-20M005	GAS SPRING HOLDER	2
5	32S12U01-10M001	FRONT GLASS WITH SEALING	1
6	002494	GAS SPRING	2
7	00-10M026	FRONT GLASS LOCK ASSEMBLY	2
8	32S12U01-10M002	FRONT GLASS STOP ASSEMBLY	1
9	006697	CORNER SEALING STICKER LEFT+RIGHT	1

WIPER ASSEMBLY



ID	Catalogue no.	Description	Qty
1	002554	WIPER BLADE	1
2	002535	WIPER ARM	1
3	00-01-005	RUBBER GROMMET	1
4	00-10M028	WIPER MOTOR ASSEMBLY	1

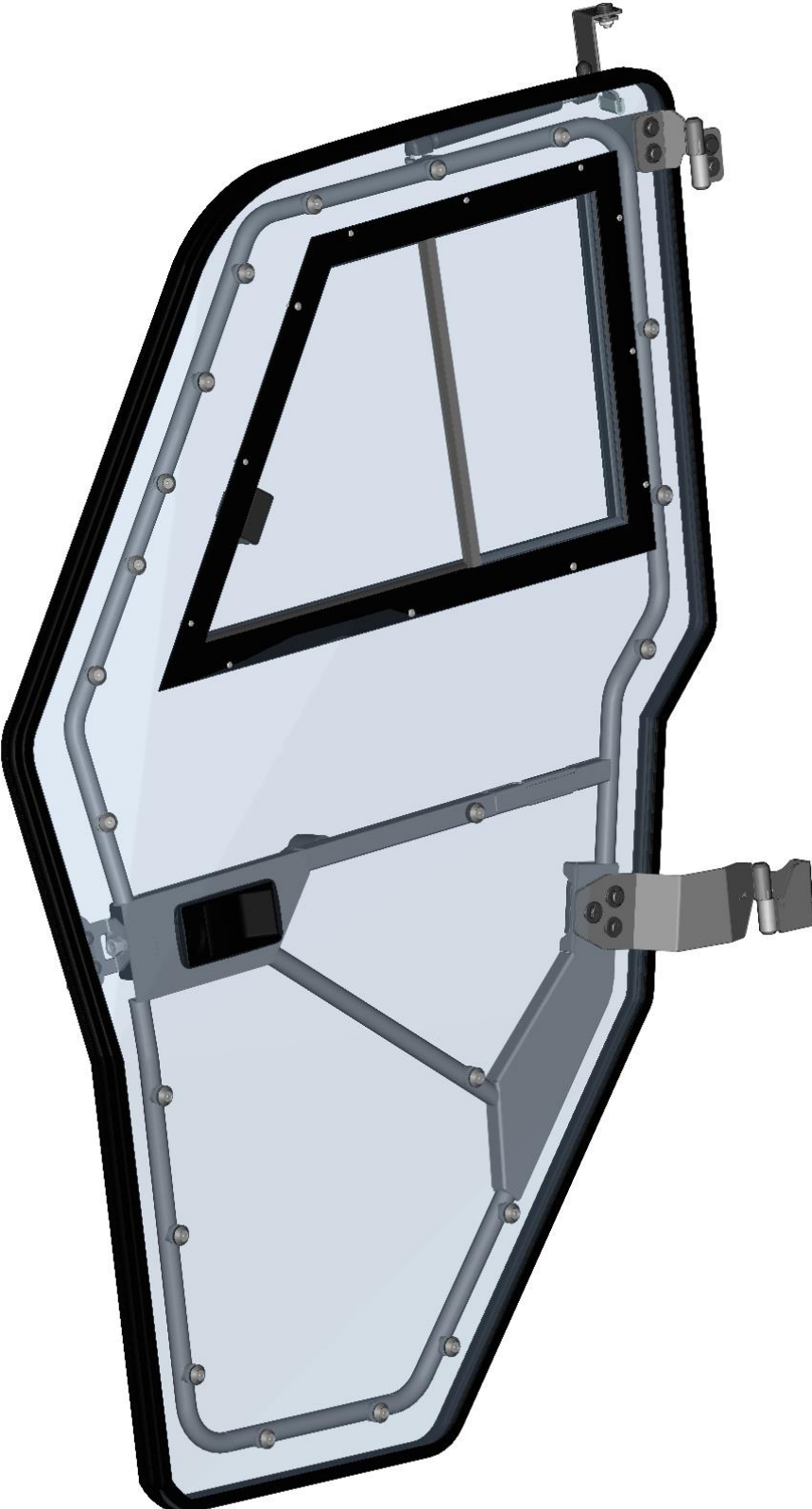
FRONT GLASS STOP ASSEMBLY



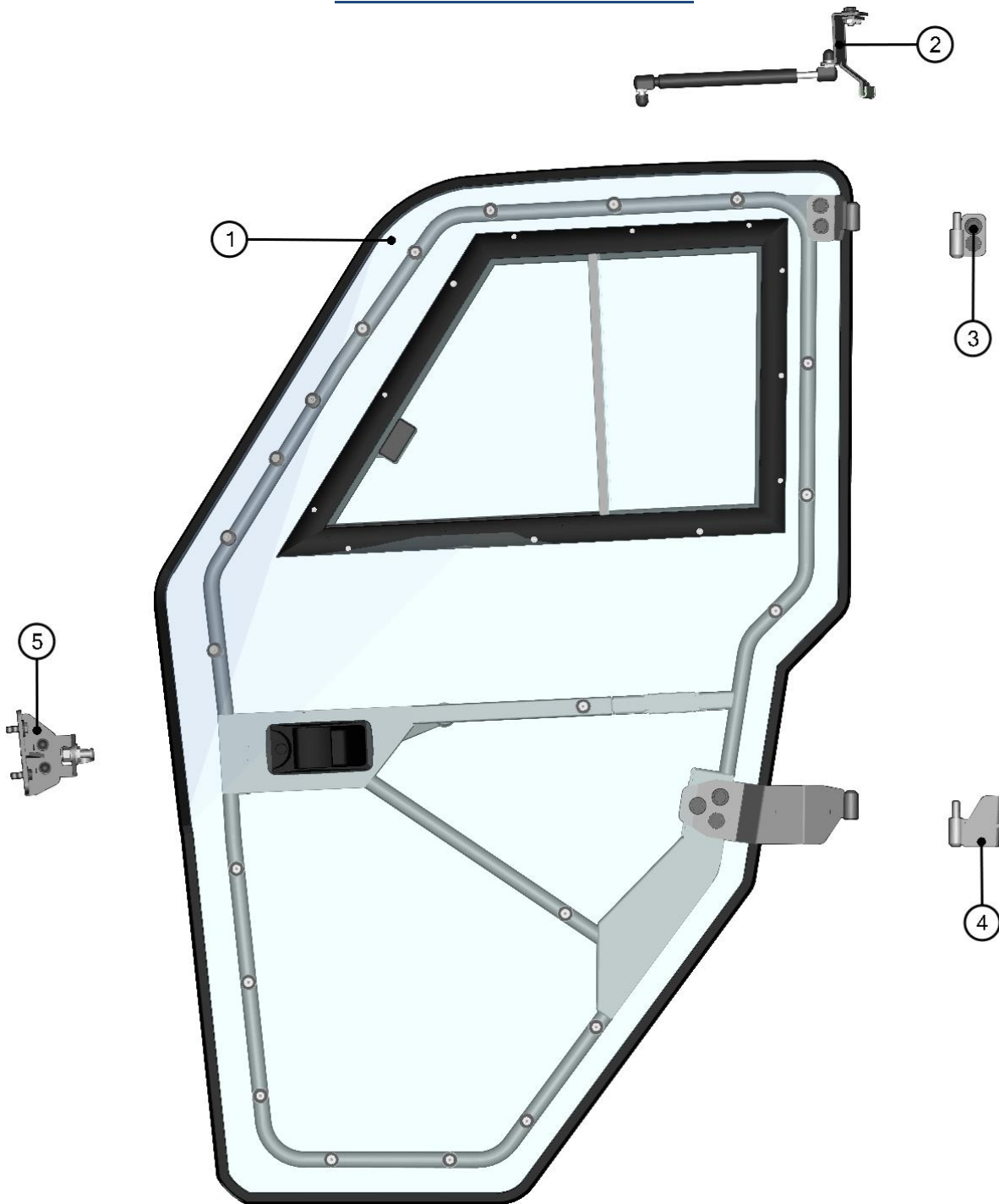
17

ID	Catalogue no.	Description	Qty
1	32S04U05-10M005	FRONT GLASS STOP	2
2	32S12U01-10M006	FRONT GLASS STOP HOLDER	1
3	32S12U01-10W002	FIXING LEDGE WELDED	1
4	001309	PLASTIC NUT COVER OK 13	4
5	001388	SELF-LOCKING NUT M8	4
6	001387	WASHER 8	4

LEFT DOOR

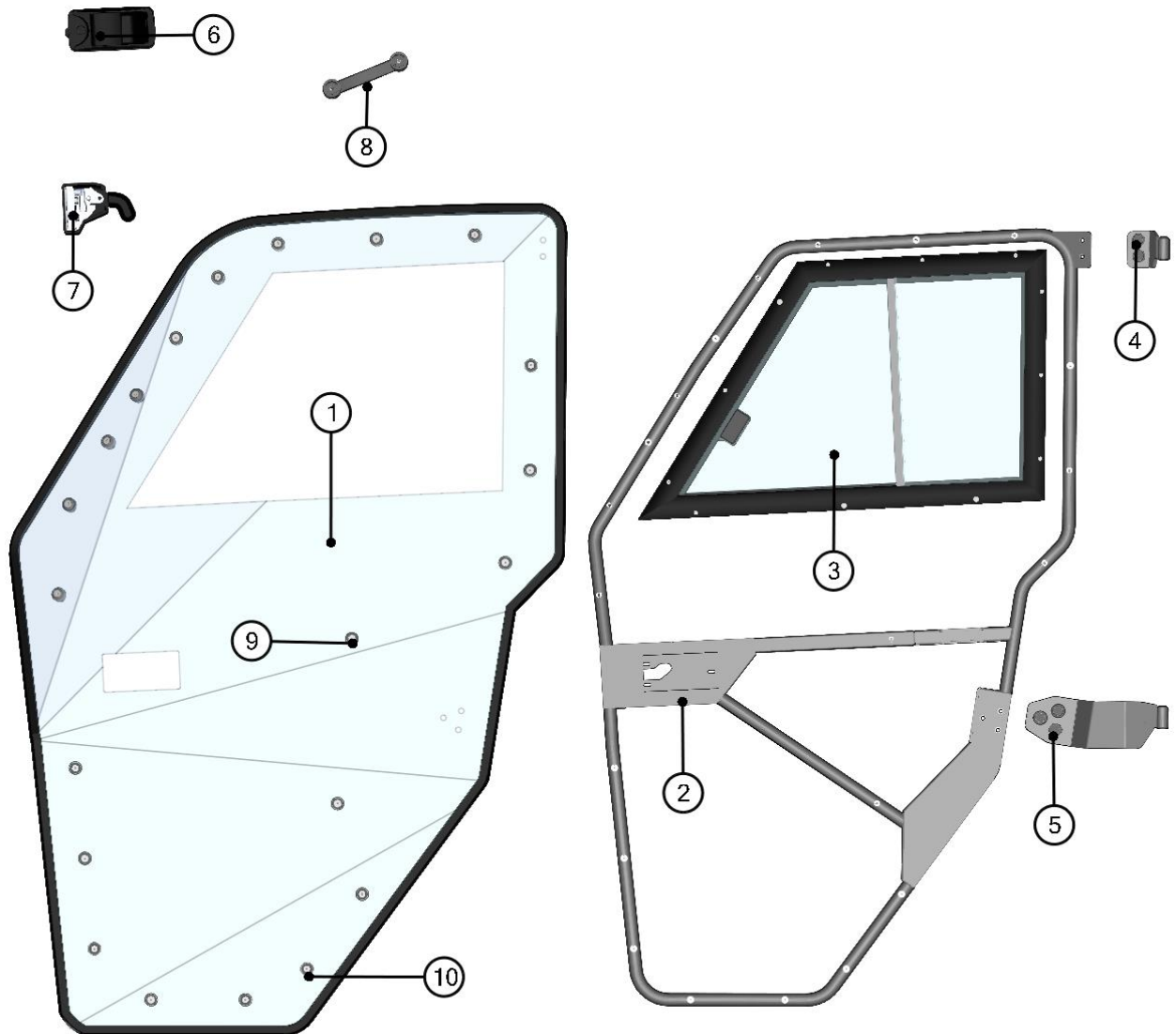


LEFT DOOR ASSEMBLIES



ID	Catalogue no.	Description	Qty
1	32S12U01-40M001	LEFT DOOR ASSEMBLY	1
2	32S12U01-40M014	LEFT DOOR GAS SPRING ASSEMBLY	1
3	32S12U01-40M007	LEFT DOOR FRAME UPPER HINGE ASSEMBLY	1
4	32S12U01-40M011	LEFT DOOR FRAME BOTTOM HINGE ASSEMBLY	1
5	32S12U01-40M004	LEFT DOOR STOP ASSEMBLY	1

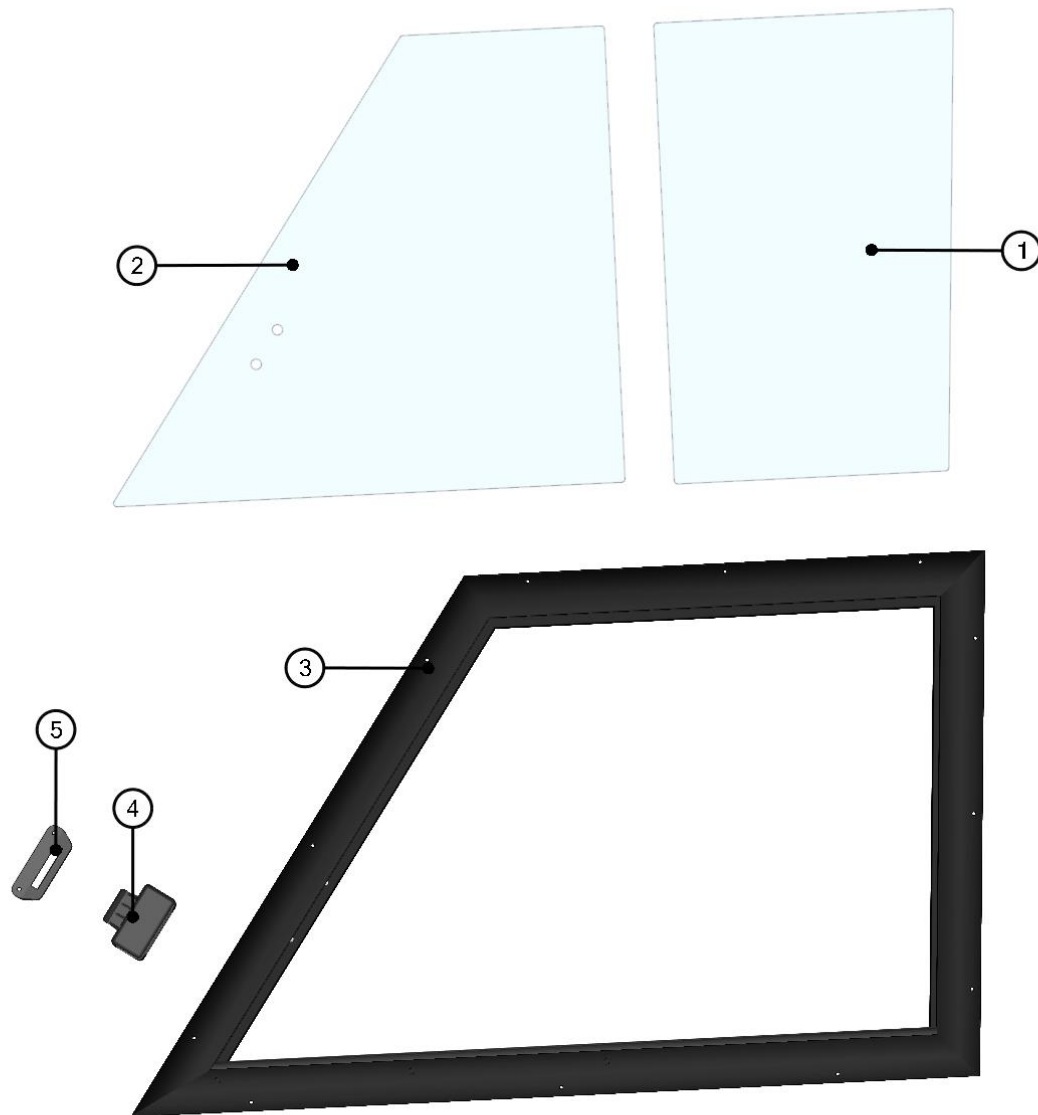
LEFT DOOR ASSEMBLY



20

ID	Catalogue no.	Description	Qty
1	32S12U01-40M002	LEFT DOOR POLYCARBONATE WITH SEALING	1
2	32S12U01-40W001	LEFT DOOR FRAME WELDED	1
3	32S12U01-40M003	LEFT WINDOW ASSEMBLY	1
4	32S12U01-40M009	LEFT DOOR UPPER HINGE ASSEMBLY	1
5	32S12U01-40M012	LEFT DOOR BOTTOM HINGE ASSEMBLY	1
6	000841	OUTER DOOR LOCK	1
7	00-40M019	LEFT INNER DOOR LOCK	1
8	00-40M018	DOOR HANDLE ASSEMBLY	1
9	00-00M020	FRAME FIXING ASSEMBLY	1
10	00-00M019	POLYCARBONATE FIXING ASSEMBLY	20

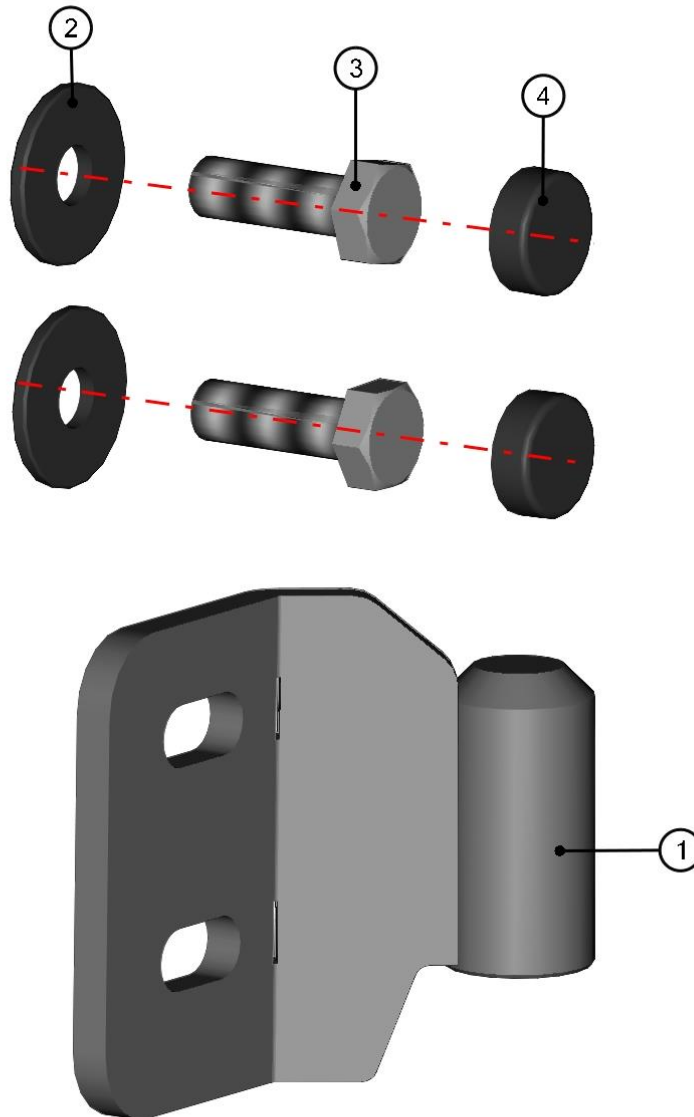
LEFT WINDOW ASSEMBLY



21

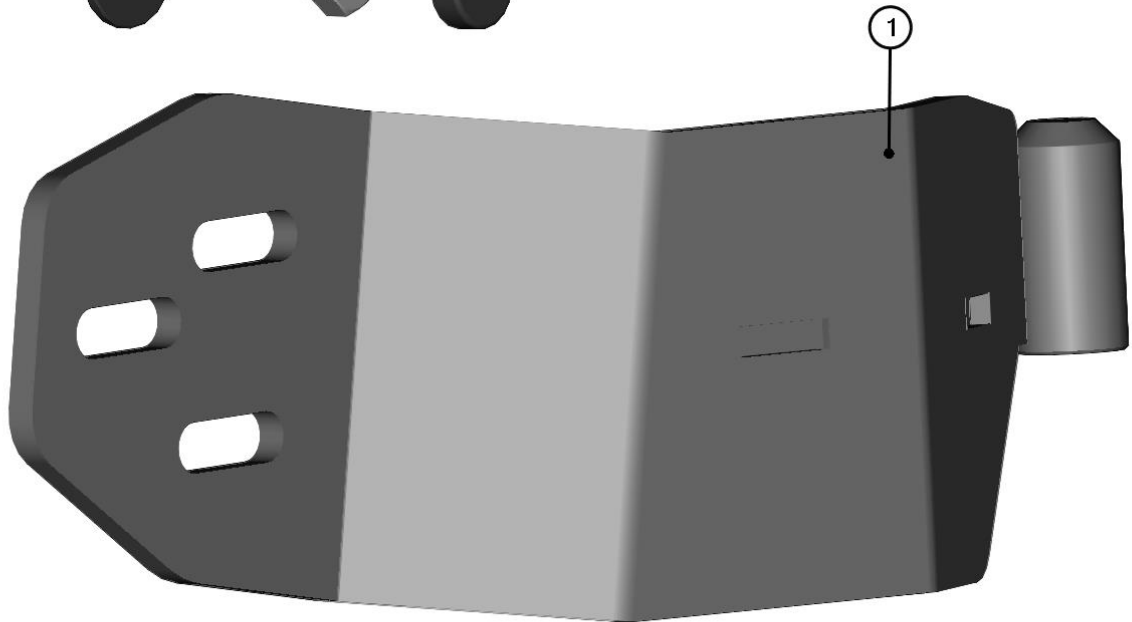
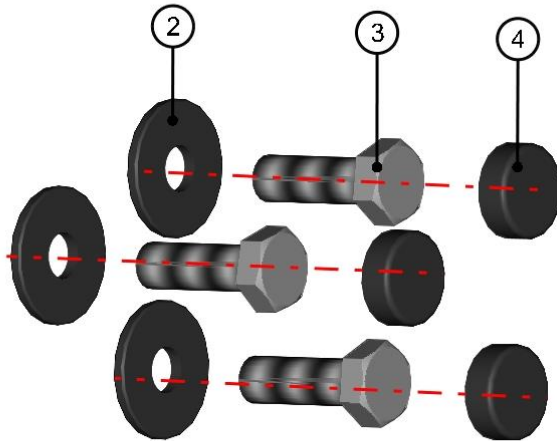
ID	Catalogue no.	Description	Qty
1	32S12U01-40-012	WINDOW GLASS SOLID	1
2	32S12U01-40-013	WINDOW GLASS MOVABLE	1
3	32S12U01-40-005	LEFT WINDOW FRAME	1
4	00-40M008	WINDOW LOCK	1
5	001762	WINDOW STOP	1

LEFT DOOR UPPER HINGE ASSEMBLY



ID	Catalogue no.	Description	Qty
1	32S12U01-40W005	LEFT DOOR UPPER HINGE WELDED	1
2	003322	RIVET WASHER 8	2
3	003724	SCREW M8x25	2
4	005983	PLASTIC NUT COVER OK 13 LOW	2

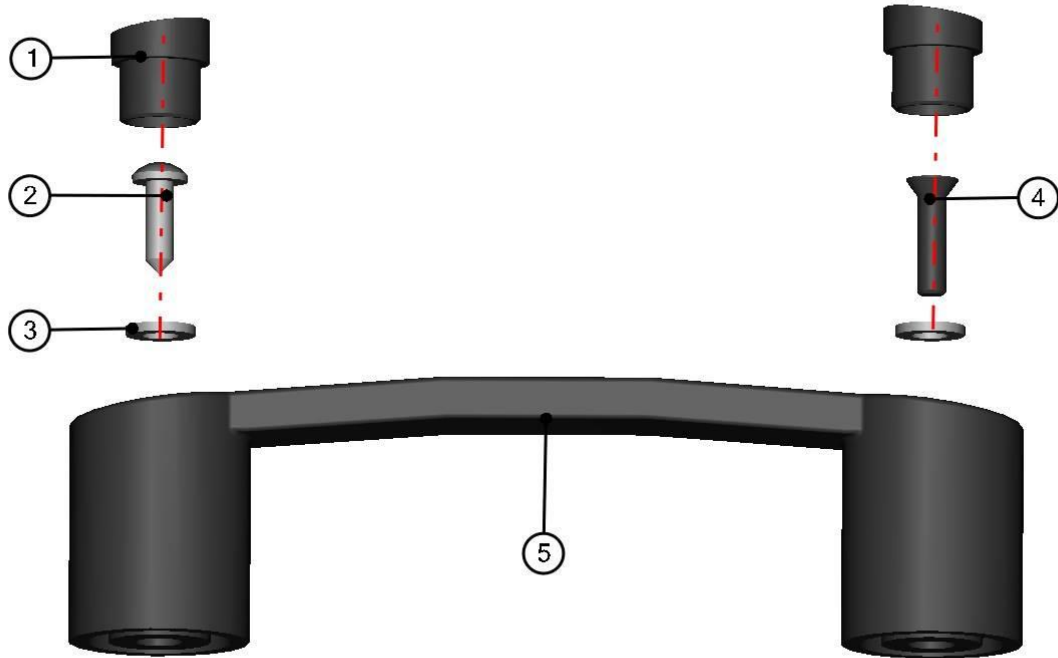
LEFT DOOR BOTTOM HINGE ASSEMBLY



23

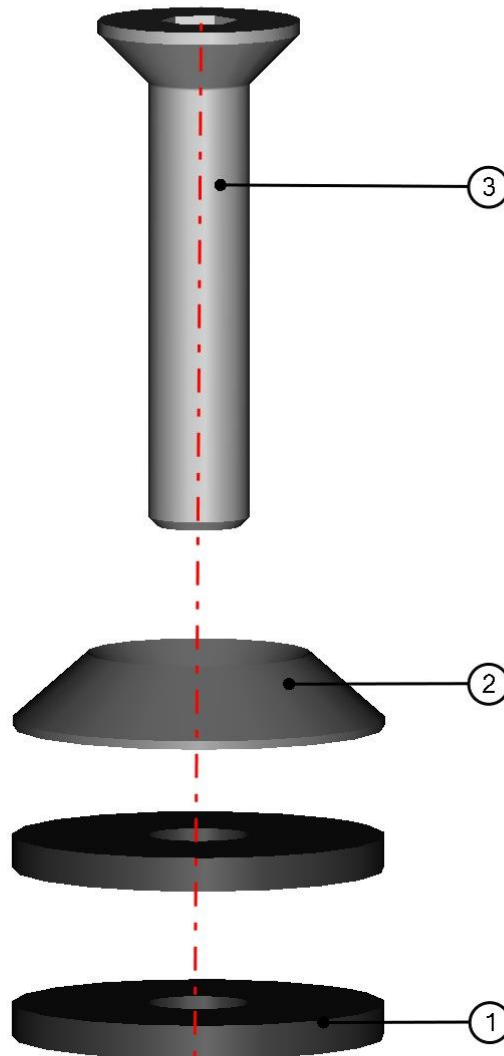
ID	Catalogue no.	Description	Qty
1	32S12U01-40W007	LEFT DOOR BOTTOM HINGE WELDED	1
2	003322	RIVET WASHER 8	3
3	003724	SCREW M8x25	3
4	005983	PLASTIC NUT COVER OK 13 LOW	3

DOOR HANDLE ASSEMBLY



ID	Catalogue no.	Description	Qty
1	001706	DOOR HANDLE SCREW COVER	2
2	001391	SELF-CUTTING SCREW 4,8 x 16	1
3	001426	WASHER 6	2
4	004246	SCREW M5x20	1
5	001703	DOOR HANDLE	1

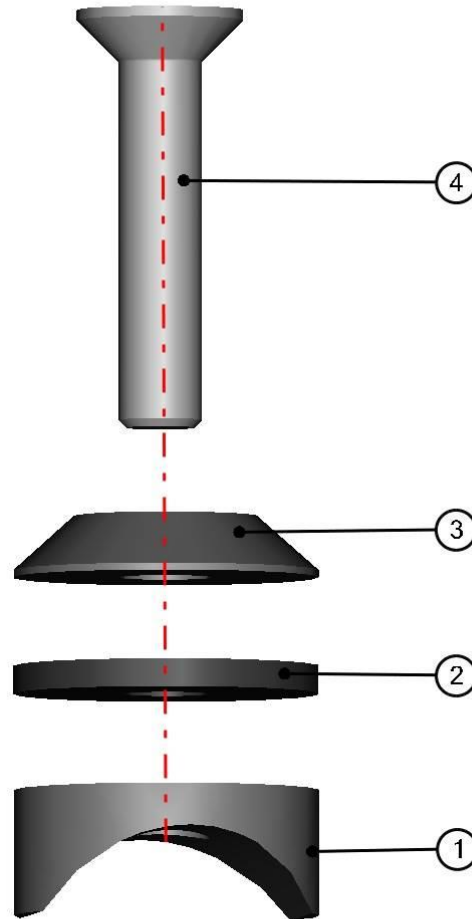
FRAME FIXING ASSEMBLY



25

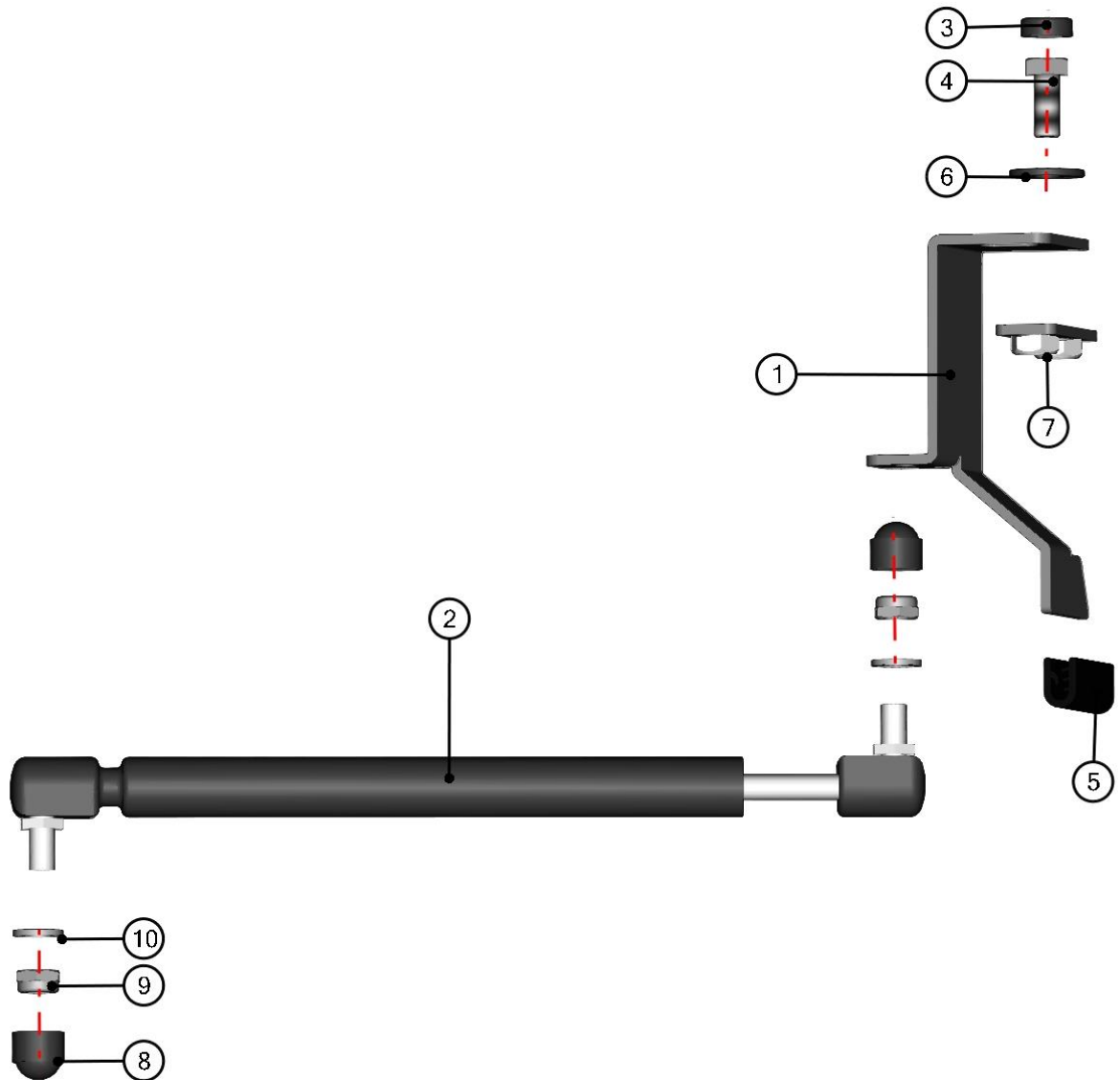
ID	Catalogue no.	Description	Qty
1	001735	RUBBER WASHER "EPDM"	2
2	001715	PLASTIC WASHER	1
3	001701	SCREW M6x30	1

POLYCARBONATE FIXING ASSEMBLY



ID	Catalogue no.	Description	Qty
1	001736	SADDLE WASHER	1
2	001735	RUBBER WASHER "EPDM"	1
3	001715	PLASTIC WASHER	1
4	001701	SCREW M6x30	1

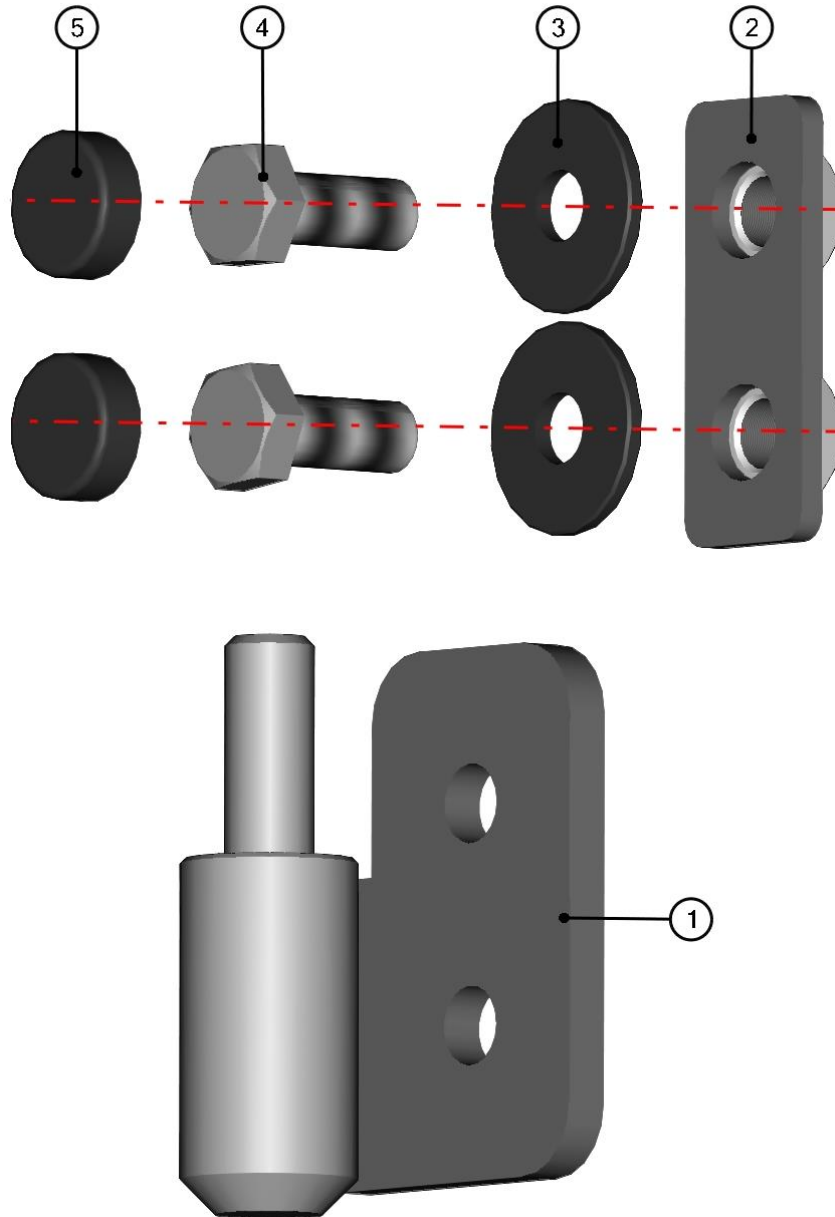
LEFT DOOR GAS SPRING ASSEMBLY



27

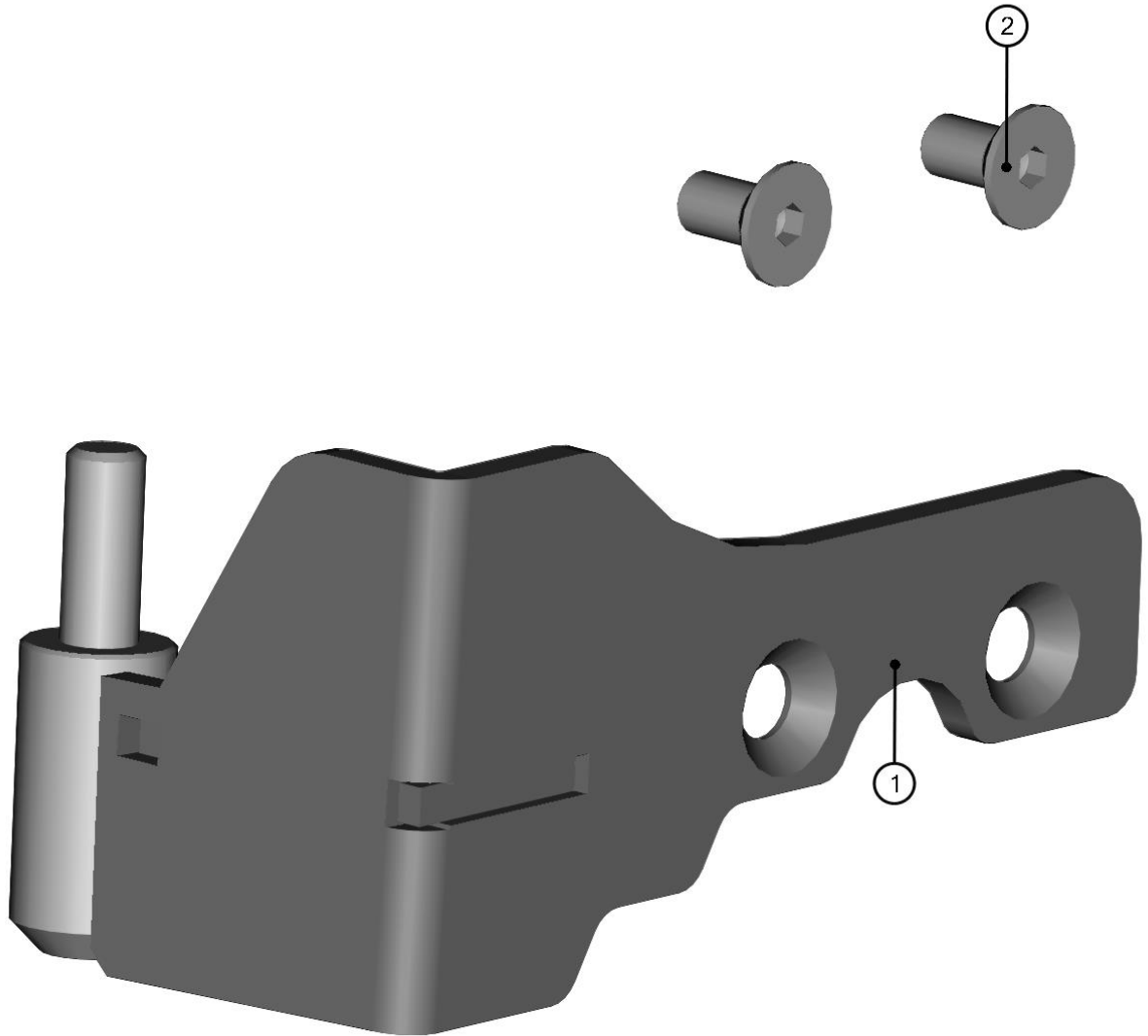
ID	Catalogue no.	Description	Qty
1	32S12U01-40-027	LEFT DOOR GAS SPRING HOLDER	1
2	000865	GAS SPRING	1
3	005983	PLASTIC NUT COVER OK 13 LOW	1
4	001437	SCREW M8x20	1
5	003627^32S12U01-40M014	RUBBER PROFILE "U"	1
6	003322	RIVET WASHER 8	1
7	32S12U01-40W004	GAS SPRING FIXING LEDGE WELDED	1
8	001309	PLASTIC NUT COVER OK 13	2
9	001388	SELF-LOCKING NUT M8	2
10	001387	WASHER 8	2

LEFT DOOR FRAME UPPER HINGE ASSEMBLY



ID	Catalogue no.	Description	Qty
1	32S12U01-40W003	LEFT DOOR FRAME UPPER HINGE WELDED	1
2	32S12U01-40W004	DOOR FRAME UPPER HINGE LEDGE WELDED	1
3	003322	RIVET WASHER 8	2
4	001437	SCREW M8x20	2
5	005983	PLASTIC NUT COVER OK 13	2

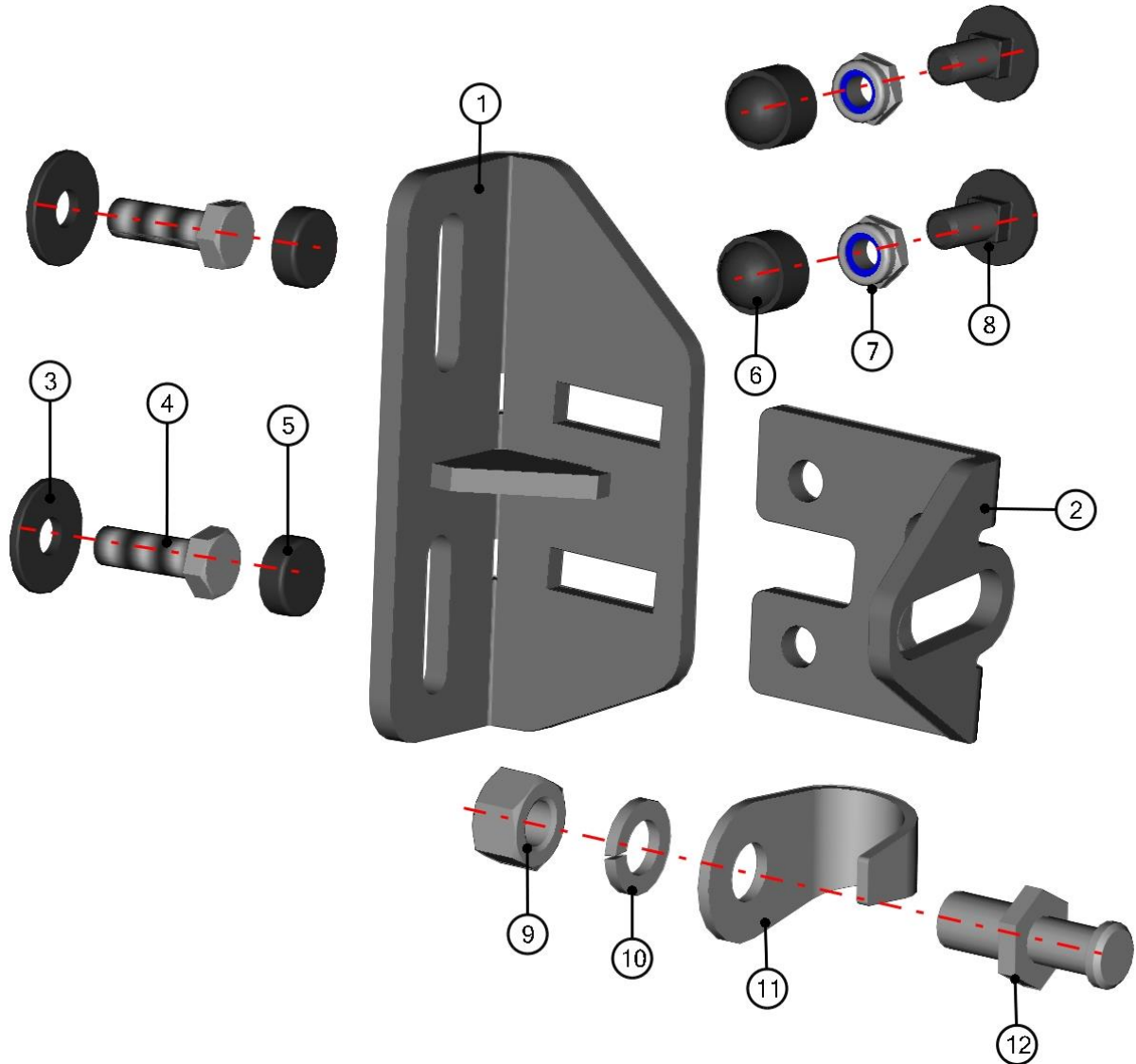
LEFT DOOR FRAME BOTTOM HINGE ASSEMBLY



29

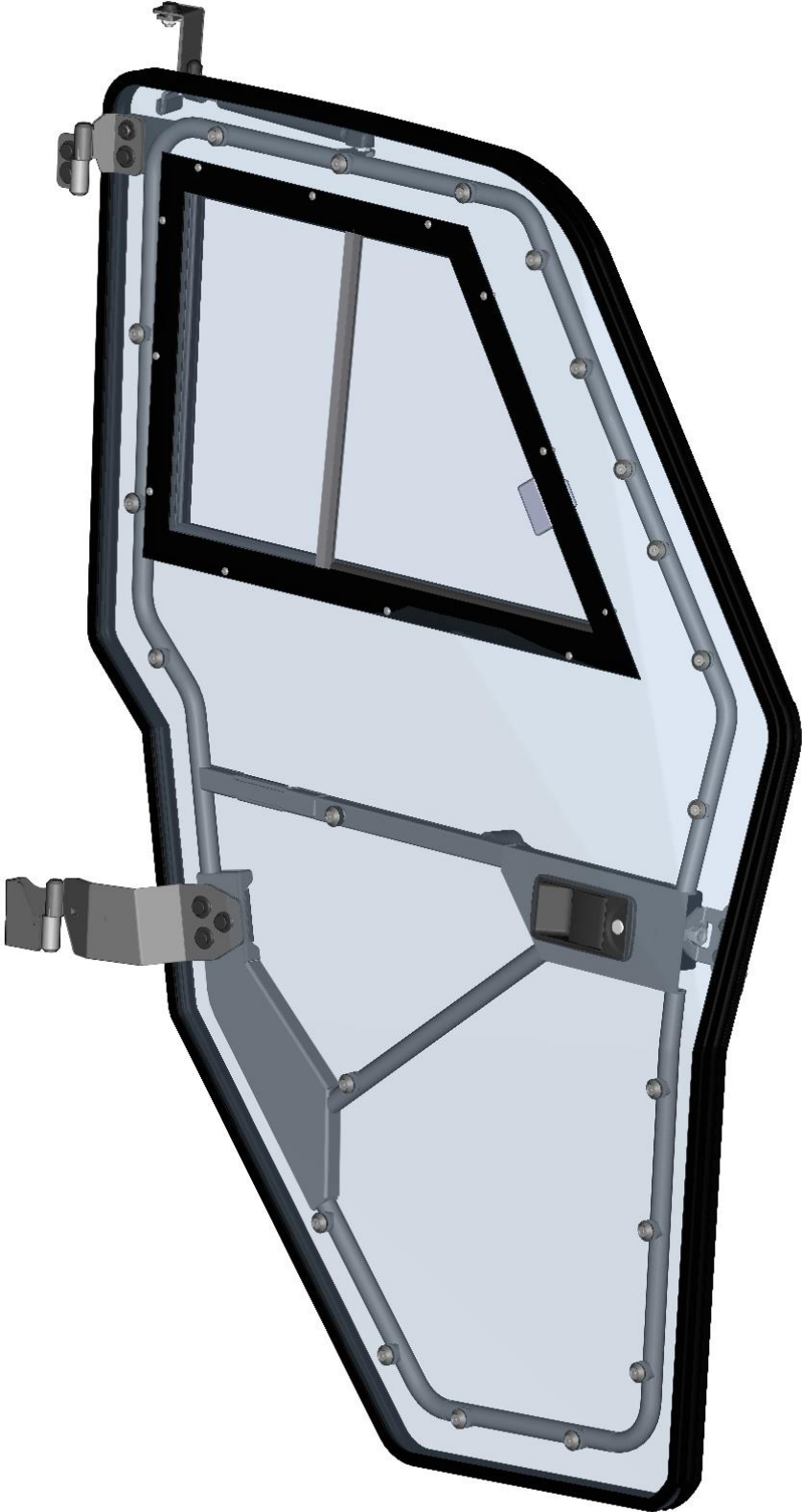
ID	Catalogue no.	Description	Qty
1	32S12U01-40W006	LEFT DOOR FRAME BOTTOM HINGE WELDED	1
2	001696	SCREW M8x16	2

LEFT DOOR STOP ASSEMBLY

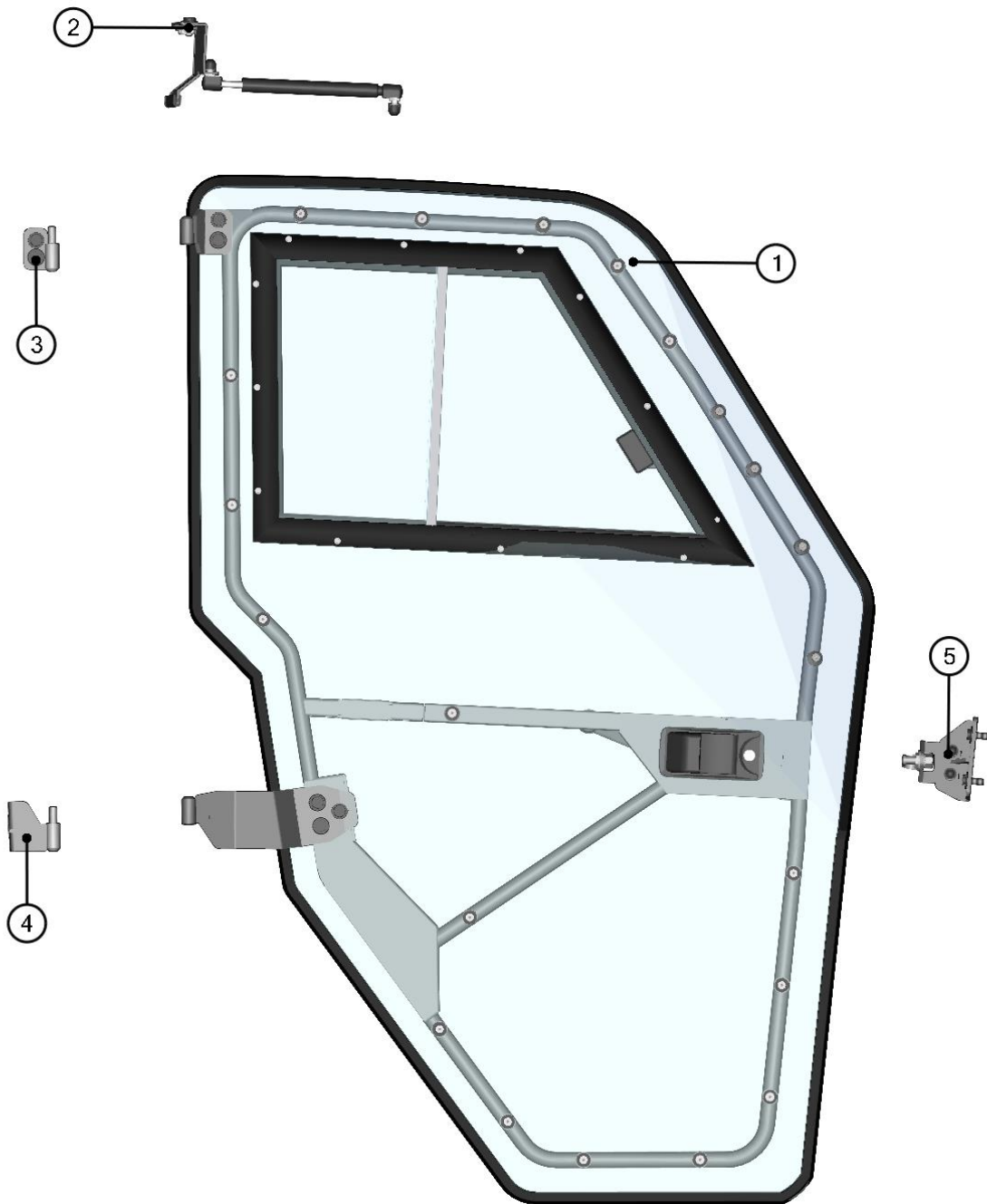


ID	Catalogue no.	Description	Qty
1	32S12U01-40W002	LEFT DOOR STOP HOLDER WELDED	1
2	32S12U01-40-014	LEFT DOOR STOP HOLDER	1
3	003322	RIVET WASHER 8	2
4	003724	SCREW M8x30	2
5	005983	PLASTIC NUT COVER OK 13 LOW	2
6	001309	PLASTIC NUT COVER OK 13	2
7	001388	SELF-LOCKING NUT M8	2
8	002575	SCREW M8x20	2
9	000856	DOOR STOP NUT	1
10	000857	DOOR STOP WASHER	1
11	000855	DOOR STOP HOOK	1
12	000854	DOOR STOP PIN	1

RIGHT DOOR



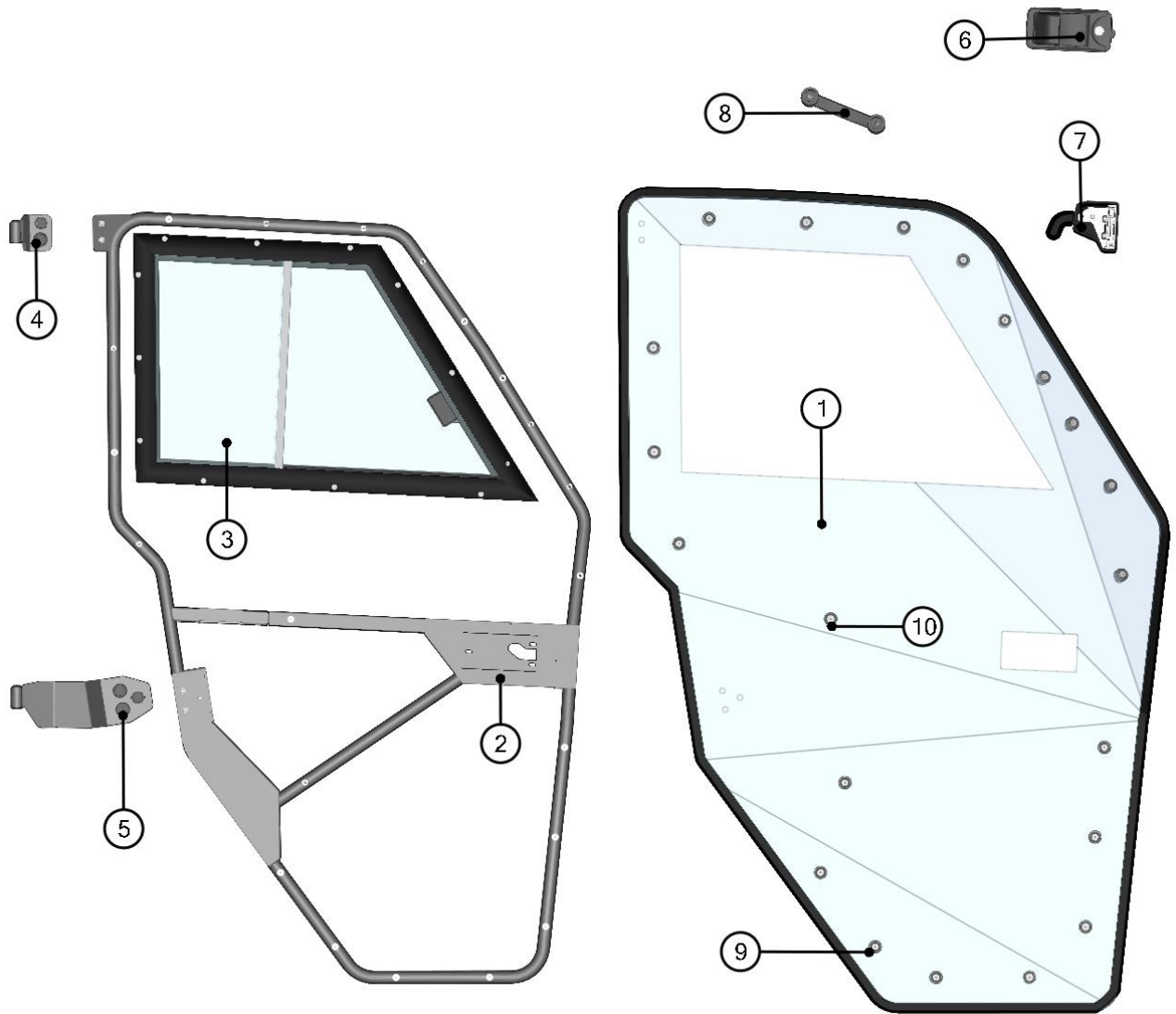
RIGHT DOOR ASSEMBLIES



32

ID	Catalogue no.	Description	Qty
1	32S12U01-50M001	RIGHT DOOR ASSEMBLY	1
2	32S12U01-50M014	RIGHT DOOR GAS SPRING ASSEMBLY	1
3	32S12U01-50M007	RIGHT DOOR FRAME UPPER HINGE ASSEMBLY	1
4	32S12U01-50M011	RIGHT DOOR FRAME BOTTOM HINGE ASSEMBLY	1
5	32S12U01-50M004	RIGHT DOOR STOP ASSEMBLY	1

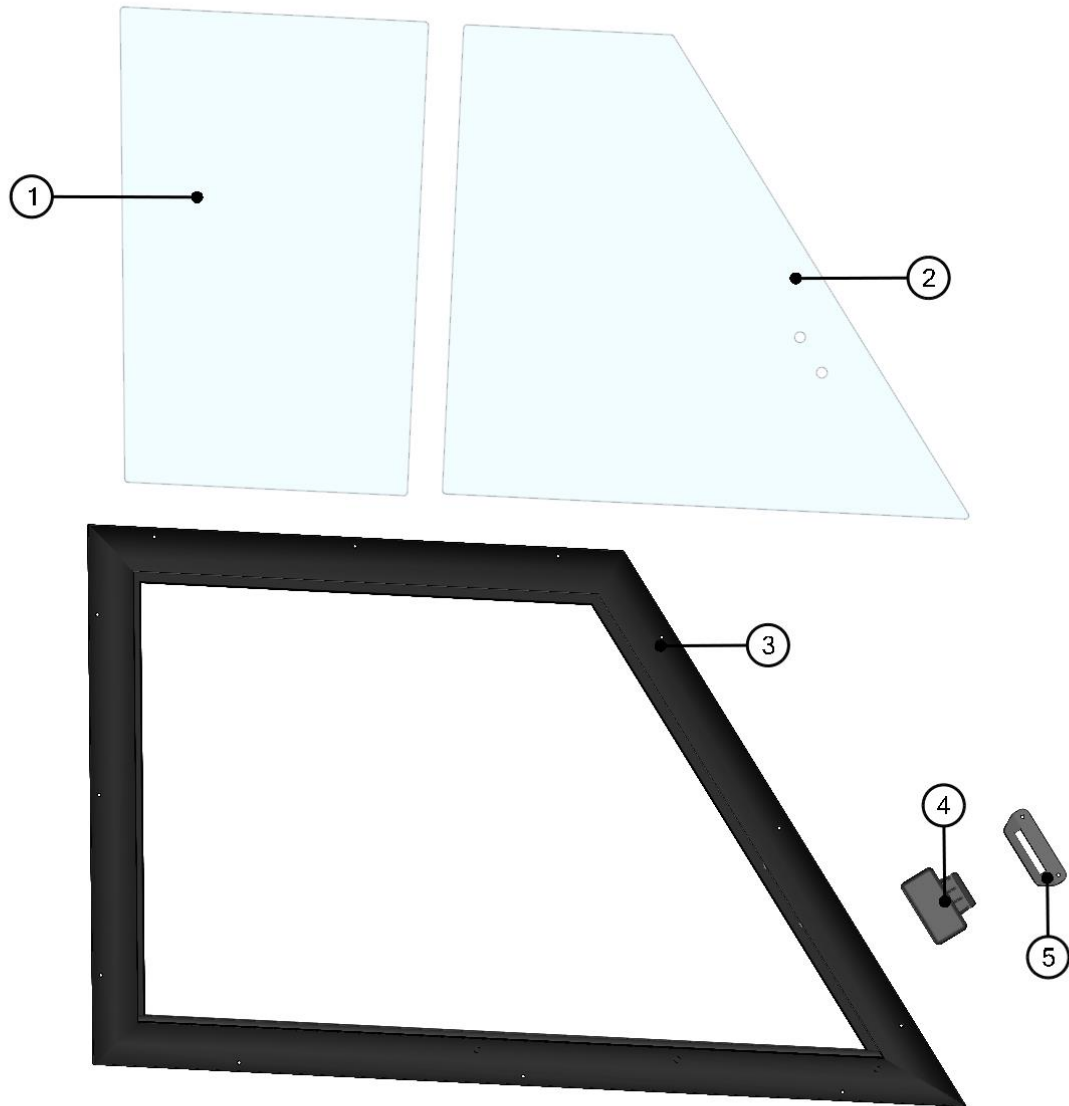
RIGHT DOOR ASSEMBLY



33

ID	Catalogue no.	Description	Qty
1	32S12U01-50M002	RIGHT DOOR POLYCARBONATE WITH SEALING	1
2	32S12U01-50W001	RIGHT DOOR FRAME WELDED	1
3	32S12U01-50M003	RIGHT WINDOW ASSEMBLY	1
4	32S12U01-50M009	RIGHT DOOR UUPER HINGE ASSEMBLY	1
5	32S12U01-50M012	RIGHT DOOR BOTTOM HINGE ASSEMBLY	1
6	000841	OUTER DOOR LOCK	1
7	00-50M019	RIGHT INNER DOOR LOCK	1
8	00-40M018	DOOR HANDLE ASSEMBLY	1
9	00-00M019	FRAME FIXING ASSEMBLY	20
10	00-00M020	POLYCARBONATE FIXING ASSEMBLY	1

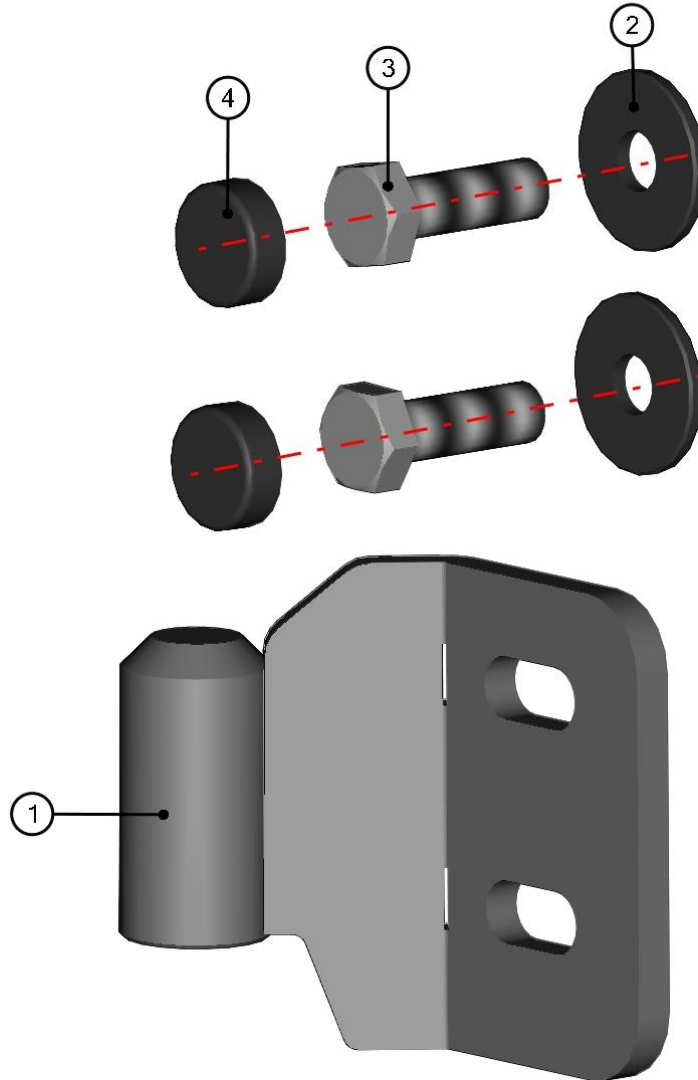
RIGHT WINDOW ASSEMBLY



34

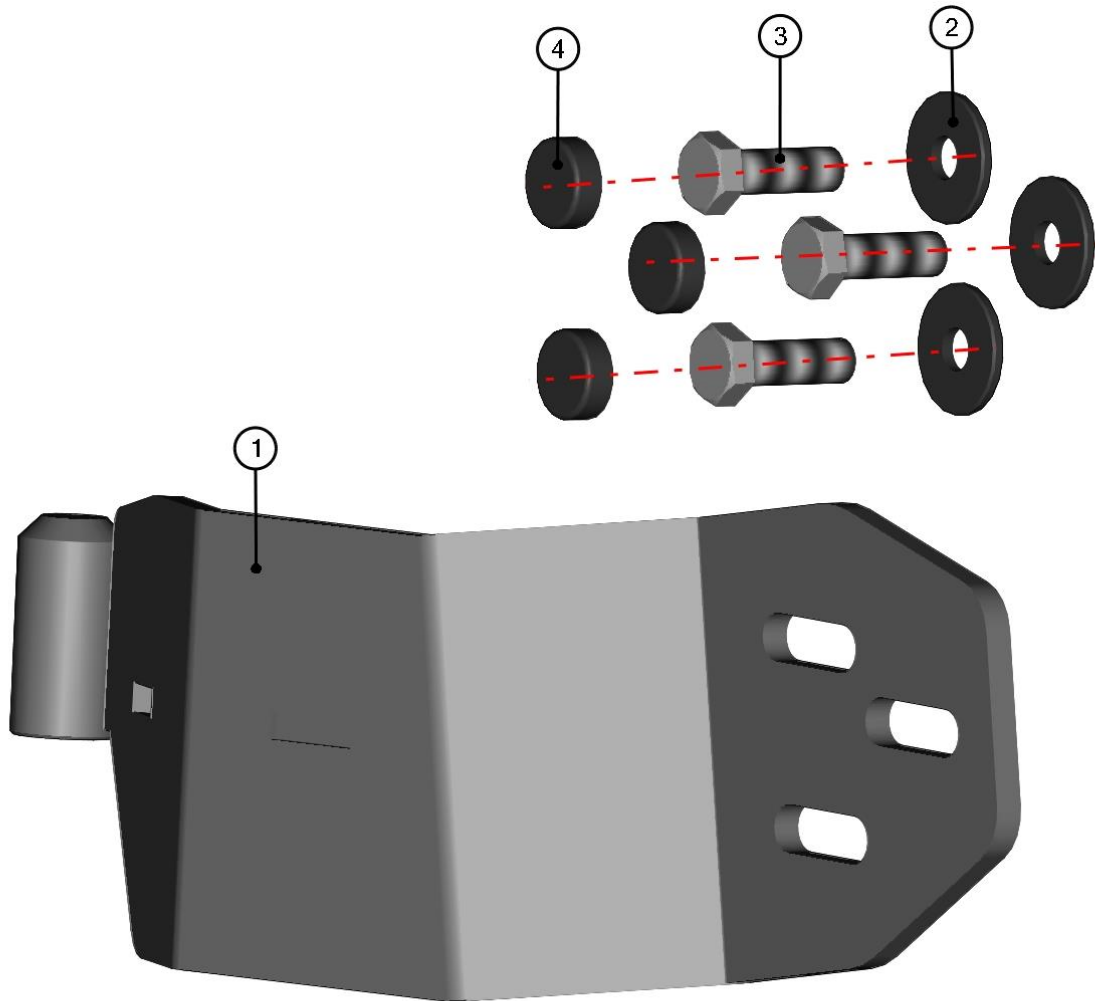
ID	Catalogue no.	Description	Qty
1	32S12U01-40-012	WINDOW GLASS SOLID	1
2	32S12U01-40-013	WINDOW GLASS MOVABLE	1
3	32S12U01-50-005	RIGHT WINDOW FRAME	1
4	00-40M008	WINDOW LOCK	1
5	001762	WINDOW STOP	1

RIGHT DOOR UPPER HINGE ASSEMBLY



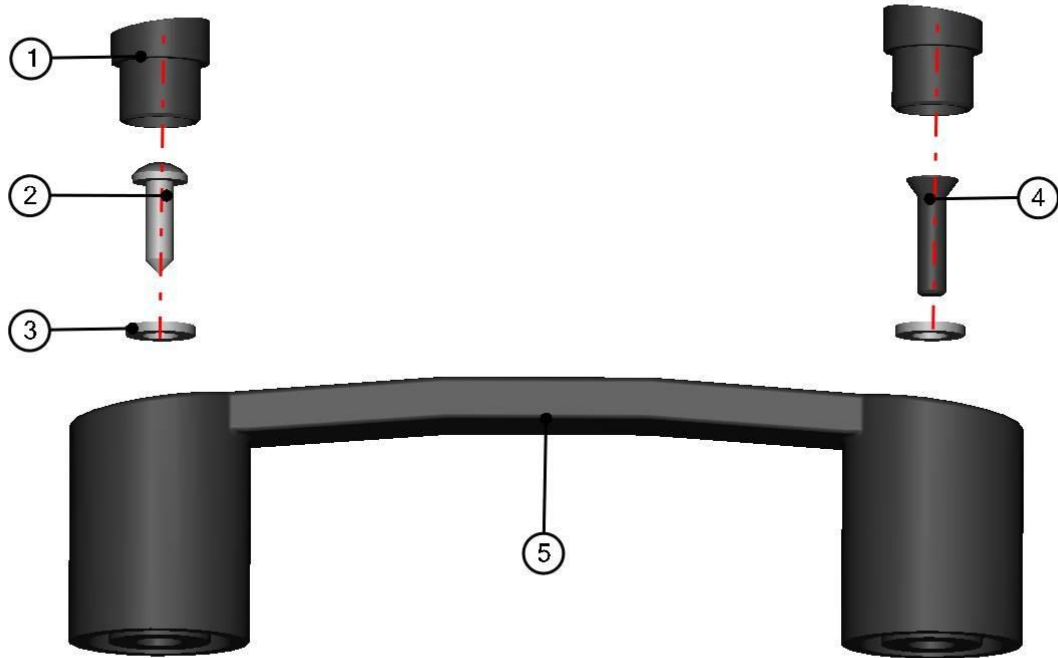
ID	Catalogue no.	Description	Qty
1	32S12U01-40W005	RIGHT DOOR UPPER HINGE WELDED	1
2	003322	RIVET WASHER 8	2
3	003724	SCREW M8x25	2
4	005983	PLASTIC NUT COVER OK 13 LOW	2

RIGHT DOOR BOTTOM HINGE ASSEMBLY



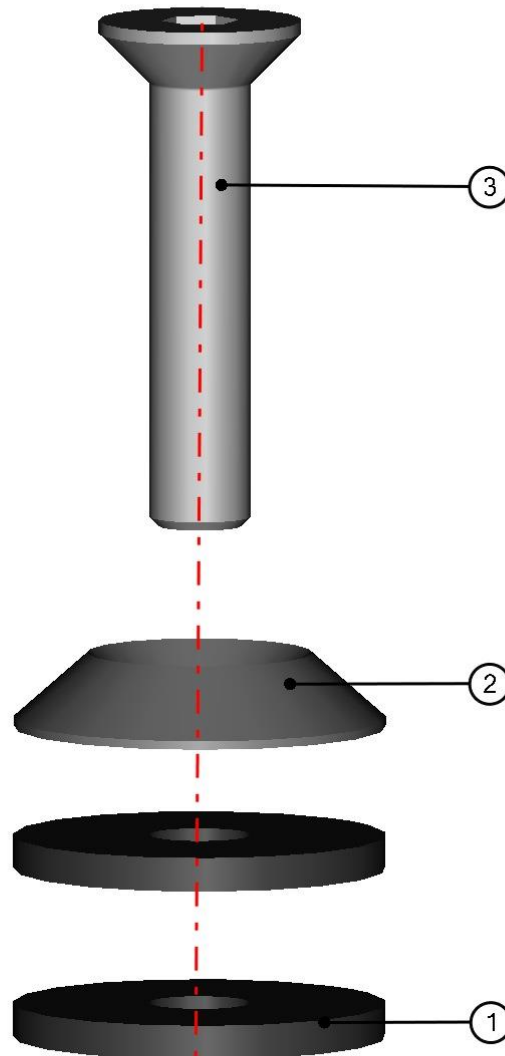
ID	Catalogue no.	Description	Qty
1	32S12U01-50W007	RIGHT DOOR BOTTOM HINGE WELDED	1
2	003322	RIVET WASHER 8	3
3	003724	SCREW M8x25	3
4	005983	PLASTIC NUT COVER OK 13 LOW	3

DOOR HANDLE ASSEMBLY



ID	Catalogue no.	Description	Qty
1	001706	DOOR HANDLE SCREW COVER	2
2	001391	SELF-CUTTING SCREW 4,8 x 16	1
3	001426	WASHER 6	2
4	004246	SCREW M5x20	1
5	001703	DOOR HANDLE	1

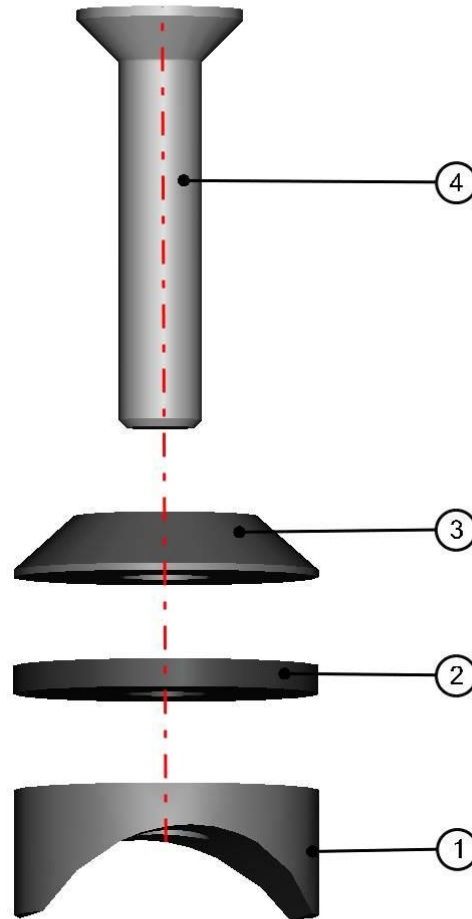
FRAME FIXING ASSEMBLY



38

ID	Catalogue no.	Description	Qty
1	001735	RUBBER WASHER "EPDM"	2
2	001715	PLASTIC WASHER	1
3	001701	SCREW M6x30	1

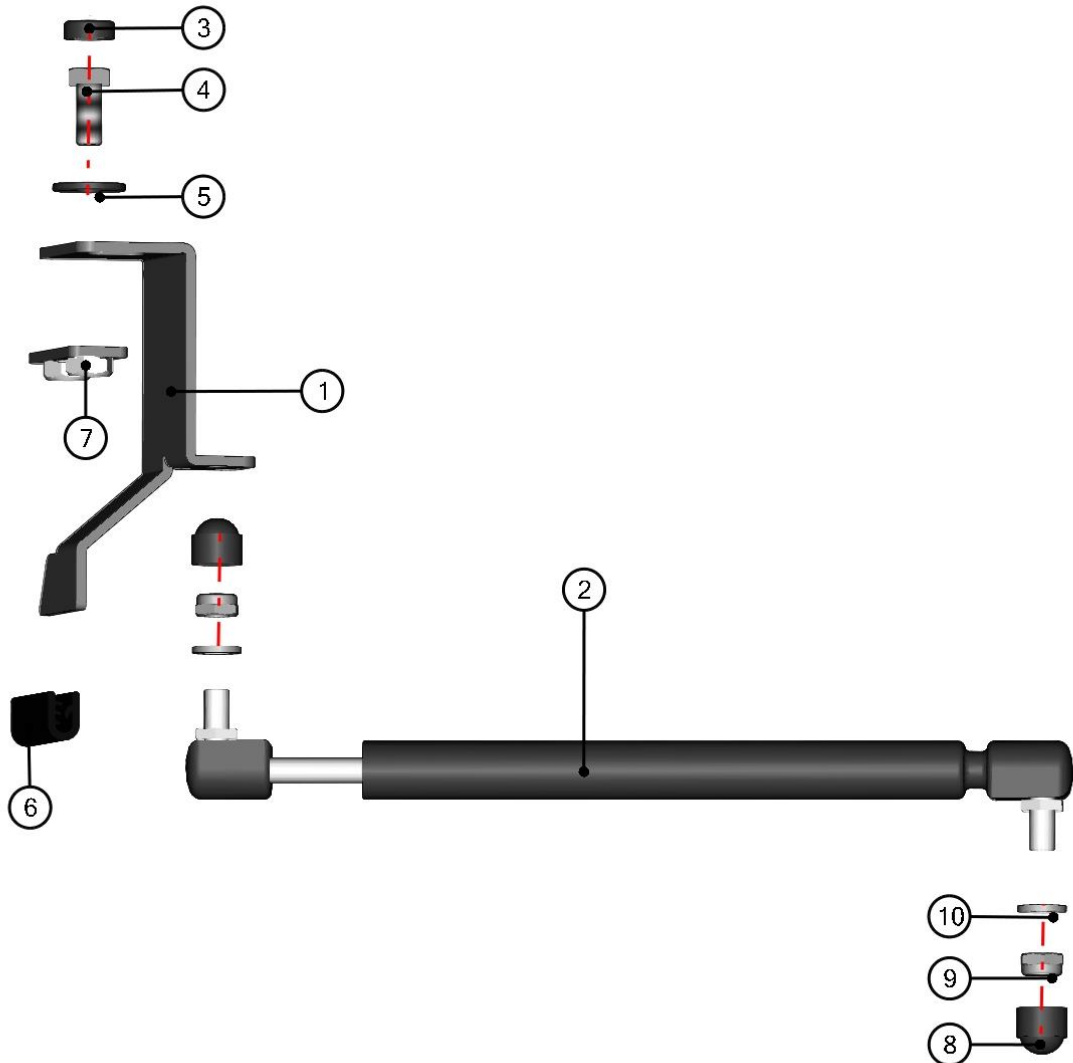
POLYCARBONATE FIXING ASSEMBLY



39

ID	Catalogue no.	Description	Qty
1	001736	SADDLE WASHER	1
2	001735	RUBBER WASHER "EPDM"	1
3	001715	PLASTIC WASHER	1
4	001701	SCREW M6x30	1

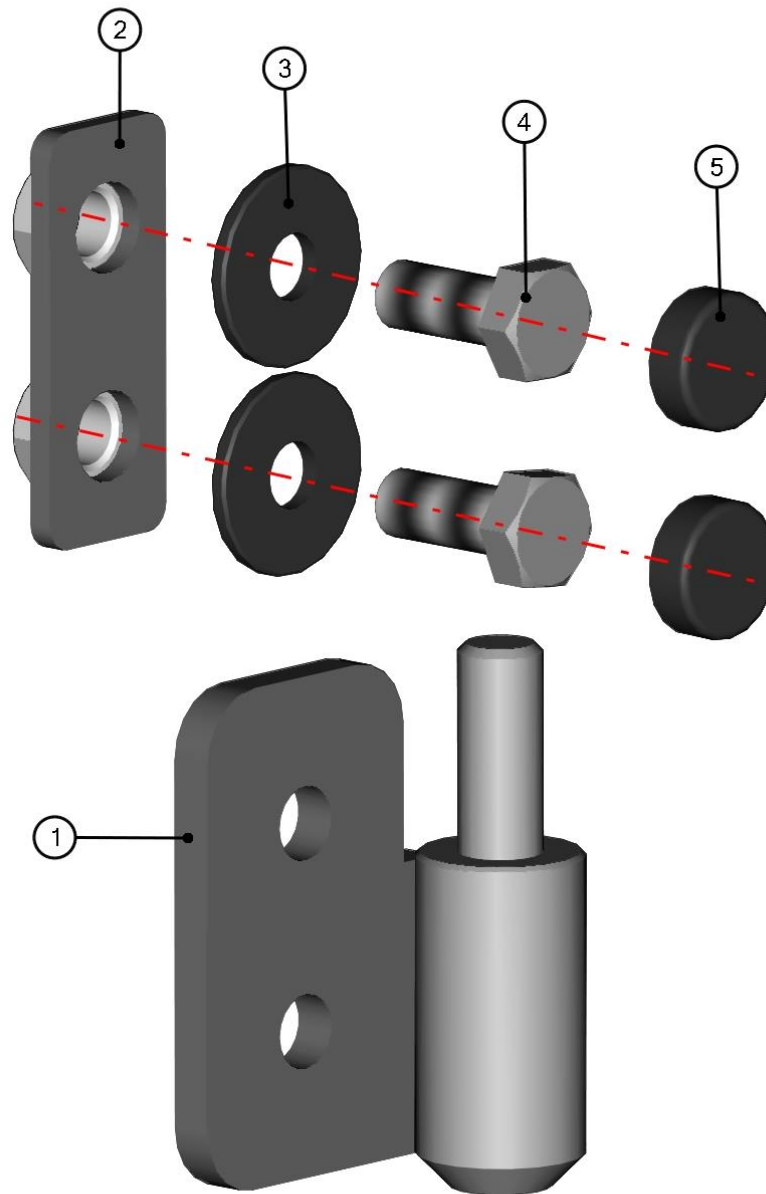
RIGHT DOOR GAS SPRING ASSEMBLY



40

ID	Catalogue no.	Description	Qty
1	32S12U01-50-027	RIGHT DOOR GAS SPRING HOLDER	1
2	000865	GAS SPRING	1
3	005983	PLASTIC NUT COVER OK 13 LOW	1
4	001437	SCREW M8x20	1
5	003322	RIVET WASHER 8	1
6	003627^32S12U01-40M014	RUBBER PROFILE "U"	1
7	32S12U01-40W004	GAS SPRING FIXING LEDGE WELDED	1
8	001309	PLASTIC NUT COVER OK 13	2
9	001388	SELF-LOCKING NUT M8	2
10	001387	WASHER 8	2

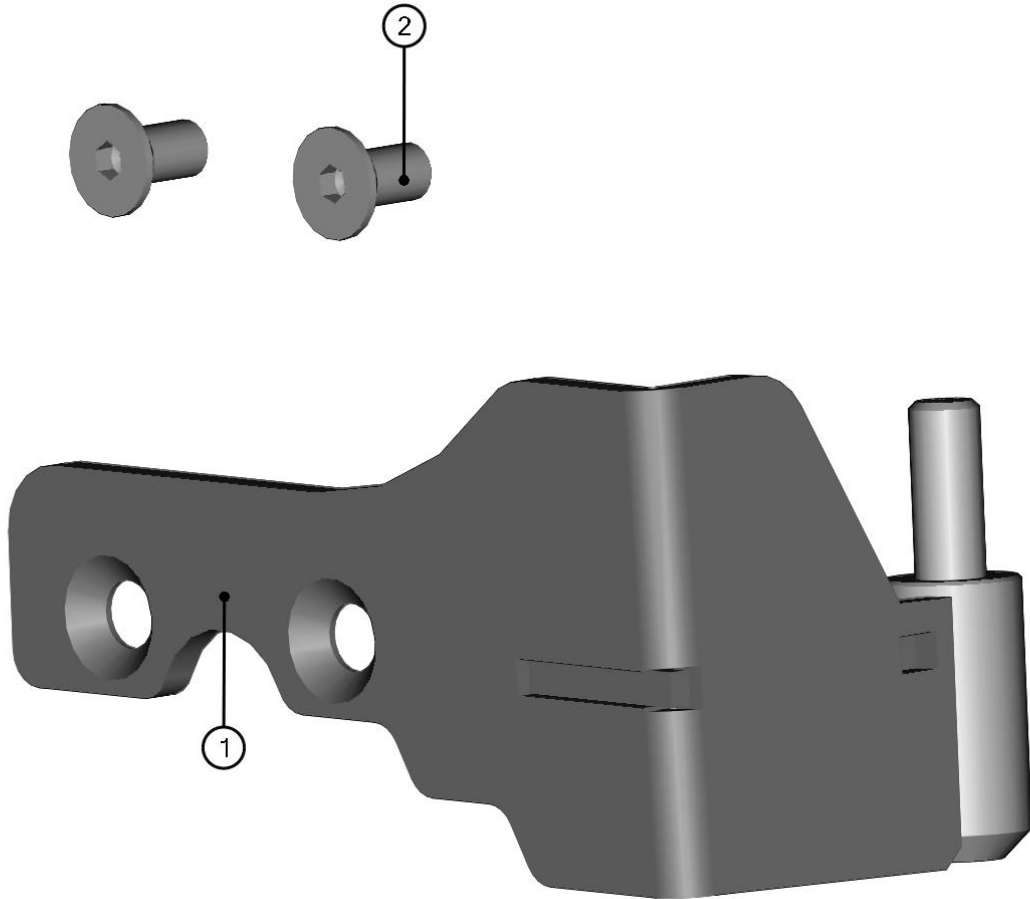
RIGHT DOOR FRAME UPPER HINGE ASSEMBLY



41

ID	Catalogue no.	Description	Qty
1	32S12U01-50W003	RIGHT DOOR FRAME UPPER HINGE WELDED	1
2	32S12U01-50W004	DOOR FRAME UPPER HINGE LEDGE WELDED	1
3	003322	RIVET WASHER 8	2
4	001437	SCREW M8x20	2
5	005983	PLASTIC NUT COVER OK 13 LOW	2

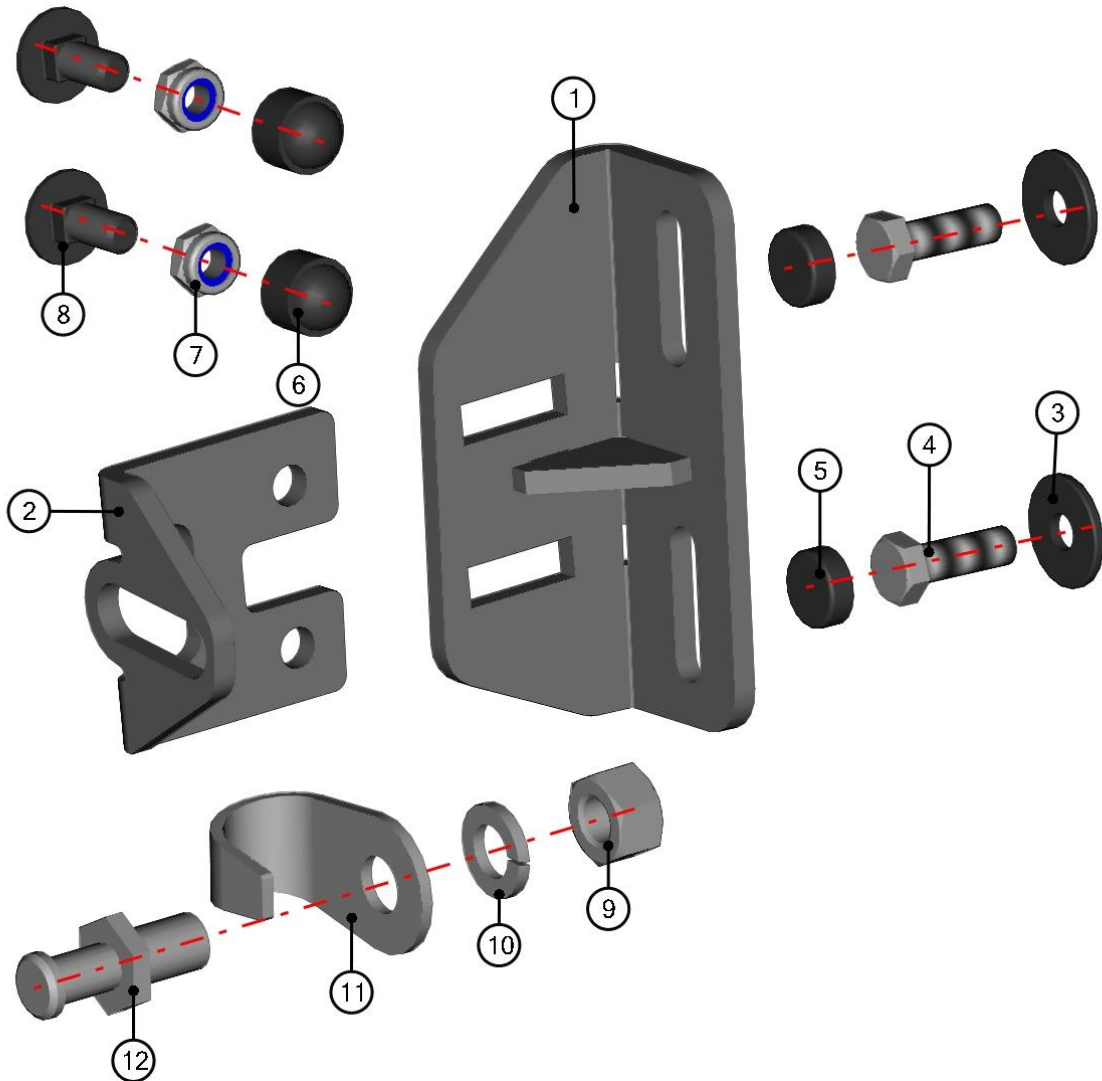
RIGHT DOOR FRAME BOTTOM HINGE ASSEMBLY



42

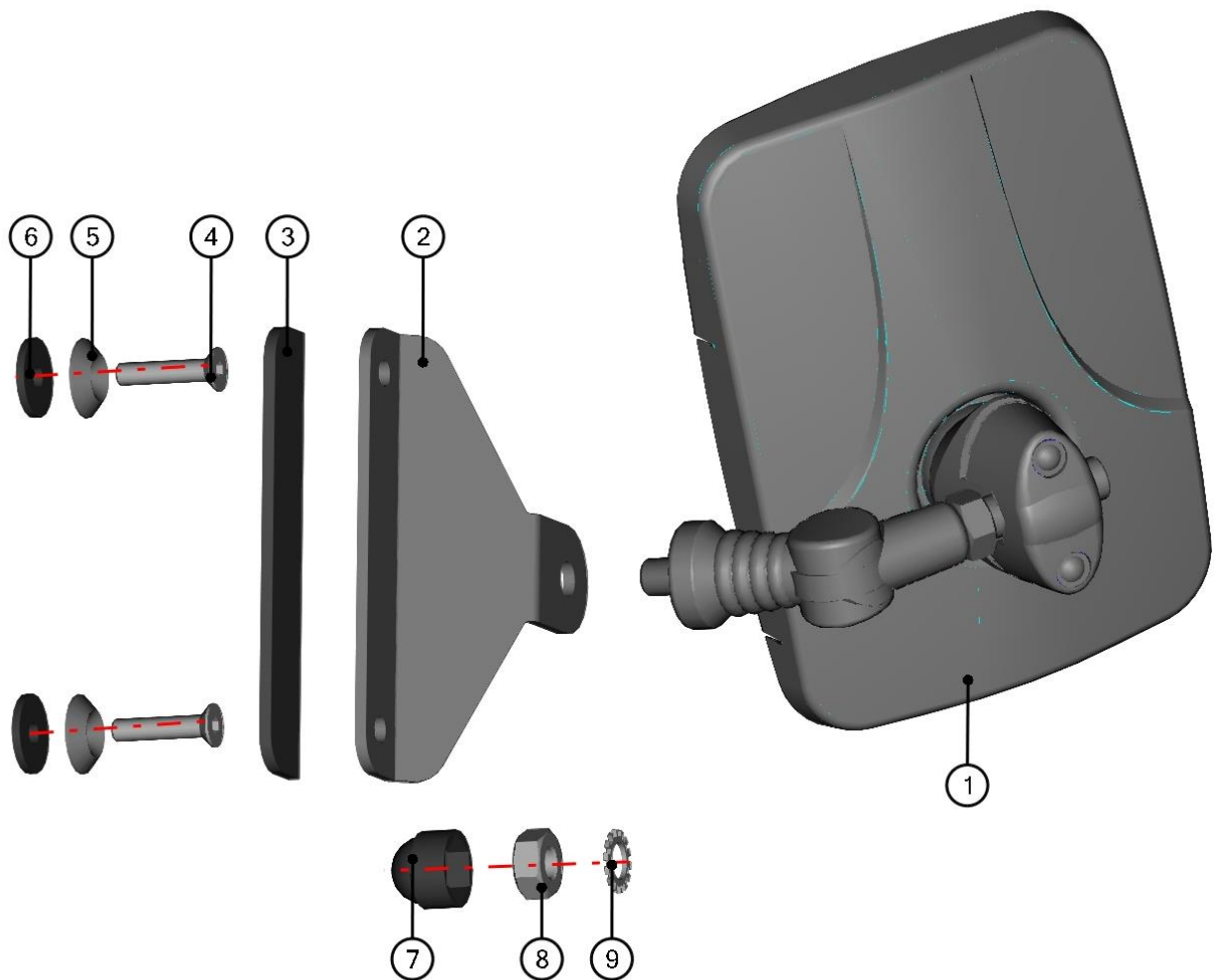
ID	Catalogue no.	Description	Qty
1	32S12U01-50W006	RIGHT DOOR FRAME BOTTOM HINGE WELDED	1
2	001696	SCREW M8x16	2

RIGHT DOOR STOP ASSEMBLY



ID	Catalogue no.	Description	Qty
1	32S12U01-50W002	RIGHT DOOR STOP HOLDER WELDED	1
2	32S12U01-50-014	RIGHT DOOR STOP HOLDER	1
3	003322	RIVET WASHER 8	2
4	003724	SCREW M8x30	2
5	005983	PLASTIC NUT COVER OK 13 LOW	2
6	001309	PLASTIC NUT COVER OK 13	2
7	001388	SELF-LOCKING NUT M8	2
8	002575	SCREW M8x20	2
9	000856	DOOR STOP NUT	1
10	000857	DOOR STOP WASHER	1
11	000855	DOOR STOP HOOK	1
12	000854	DOOR STOP PIN	1

PANORAMATIC REAR VIEW MIRROR






44

ID	Catalogue no.	Description	Qty
1	005660	PANORAMATIC REAR VIEW MIRROR	1
2	00-109U-008	REAR VIEW MIRROR HOLDER	1
3	001420^00-109U-M006	SEALING PE	1
4	001701	SCREW M6x30	2
5	001715	PLASTIC WASHER	2
6	001735	RUBBER WASHER	2
7	002363	PLASTIC NUT COVER OK 17	1
8	005661	NUT M10	1
9	002085	SERRATED LOCK WASHER 10	1

ELECTROINSTALLATION

Position	Catalogue no.	Description	Qty
1	004322	WIPER/WASHER SWITCH	1
2	000885	WASHER TANK	1
3	001576	WASHER MOTOR	1
4	006262	WASHER HARNESS	1
5	006260	WIPER HARNESS	1
6	005611	WIPER MOTOR	1
7	005995	SWITCH HARNESS	1
8	006261	HEATER HARNESS	1
9	001367	TIGHTENING STRAP 12-22 mm	4
10	002643	TIGHTENING STRAP 21-38 mm	2
11	000896	HEATER WATER HOSE	1
12	002491	BLEEDING VALVE	1
13	002386	ELECTROMAGNETIC VALVE	1
14	002502	HEATER "Y" COUPLING 25-25-16	1
15	003536	HEATER "Y" COUPLING 14-18-14	1
16	002863	AIR VENT	1
17	006259	HEATER	1
18	005995	WIPER/WASHER SWITCH HARNESS	1
19	002795	HEATER AIR HOSE	2
20	002626	HEATER FITTING	1

		
<p>Position : 1 Catalogue no.: 004322</p>	<p>Position : 2 Catalogue no.: 000885</p>	<p>Position : 3 Catalogue no.: 001576</p>
		
<p>Position : 4 Catalogue no.: 006262</p>	<p>Position : 5 Catalogue no.: 006260</p>	<p>Position : 6 Catalogue no.: 005611</p>
		
<p>Position : 7 Catalogue no.: 005995</p>	<p>Position : 8 Catalogue no.: 006261</p>	<p>Position : 9 Catalogue no.: 001367</p>



Position : 10
Catalogue no.: 002643



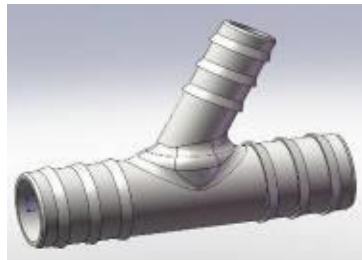
Position : 11
Catalogue no.: 000896



Position : 12
Catalogue no.: 002491



Position : 13
Catalogue no.: 002386



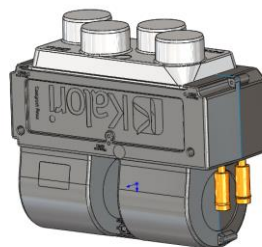
Position : 14
Catalogue no.: 002502



Position : 15
Catalogue no.: 003536



Position : 16
Catalogue no.: 002863



Position : 17
Catalogue no.: 006259



Position : 18
Catalogue no.: 005995



Position : 19

Catalogue no.: 002795

Position : 20

Catalogue no.: 002626