

HardCabs

A DFK AMERICA COMPANY

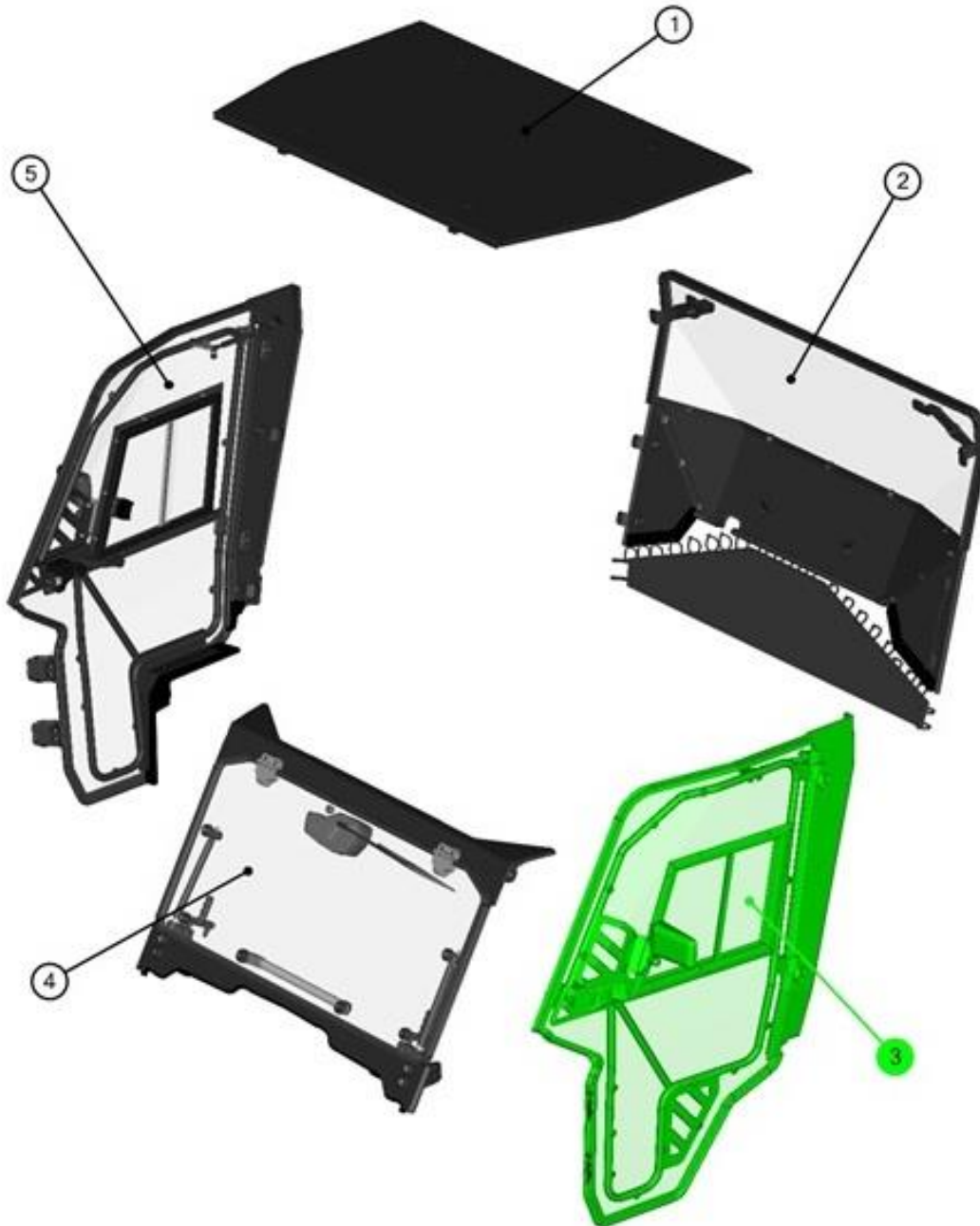
SPARE - PARTS CATALOGUE

KIOTI **MECHRON 2450**



SEARCH INSTRUCTIONS

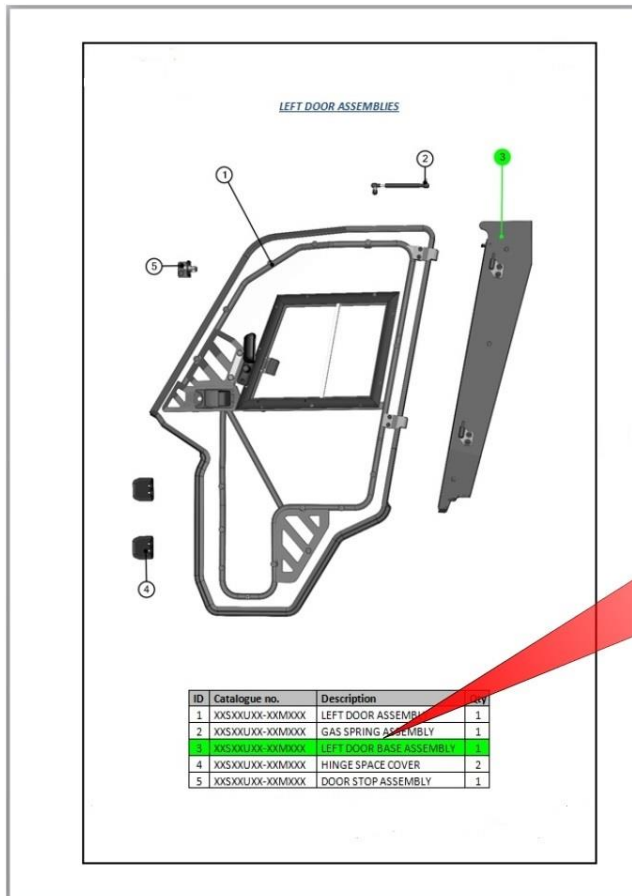
1. Select the panel that interests you and go to the appropriate page catalog.



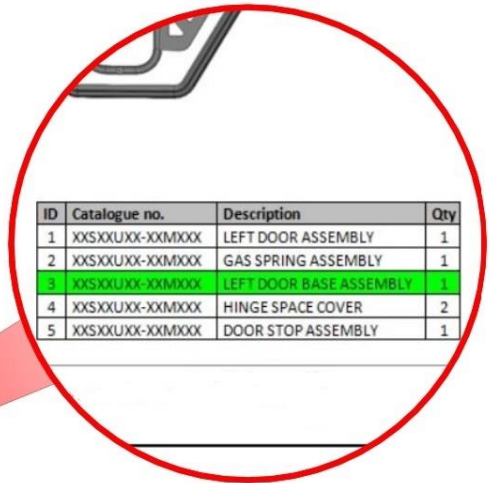
2

| ID | Catalogue no. | Description | Qty | Page |
|----|---------------|-------------|-----|------|
| 1 | XXSXXUXXSXX | ROOF PANEL | 1 | 19 |
| 2 | XXSXXUXXSXX | REAR PANEL | 1 | 22 |
| 3 | XXSXXUXXSXX | LEFT DOOR | 1 | 32 |
| 4 | XXSXXUXXSXX | FRONT PANEL | 1 | 7 |
| 5 | XXSXXUXXSXX | RIGHT DOOR | 1 | 46 |

SEARCH INSTRUCTIONS



2. Select the name of assembly that interests you (box description).

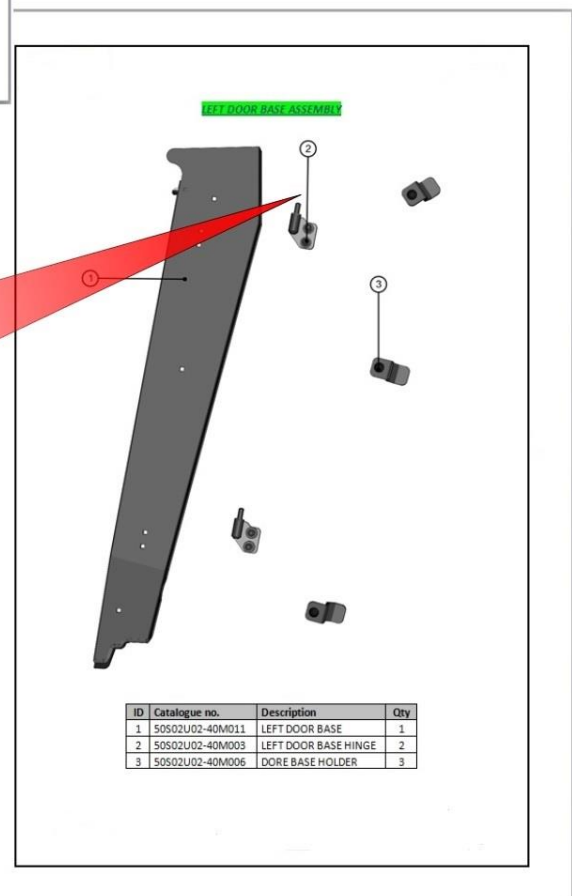


3. Find the page with the same headline like the name of selected items.

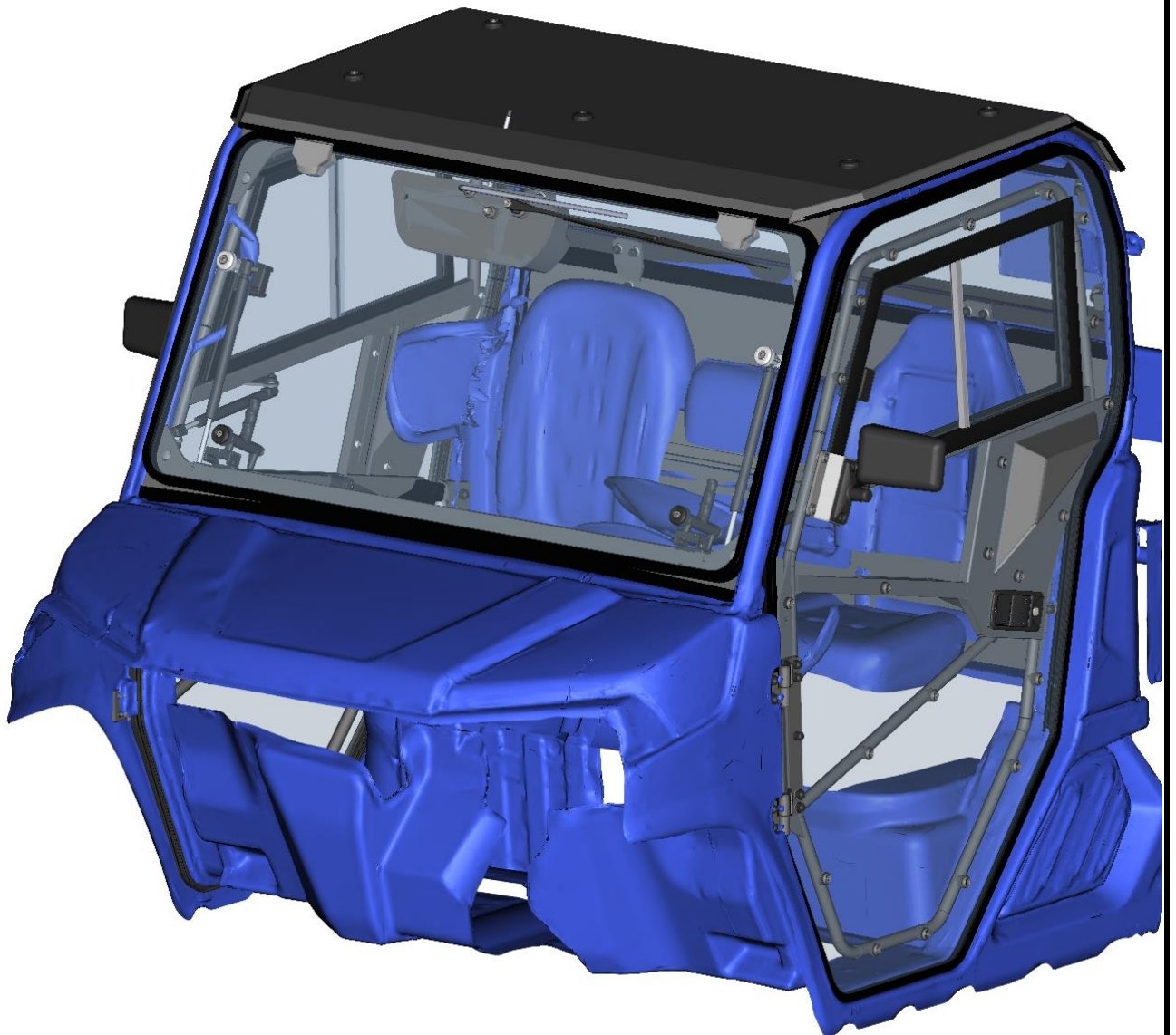


4. Repeat the previous steps to find required part.

5. If you wish to order something please send us relevant Catalogue no. + Description

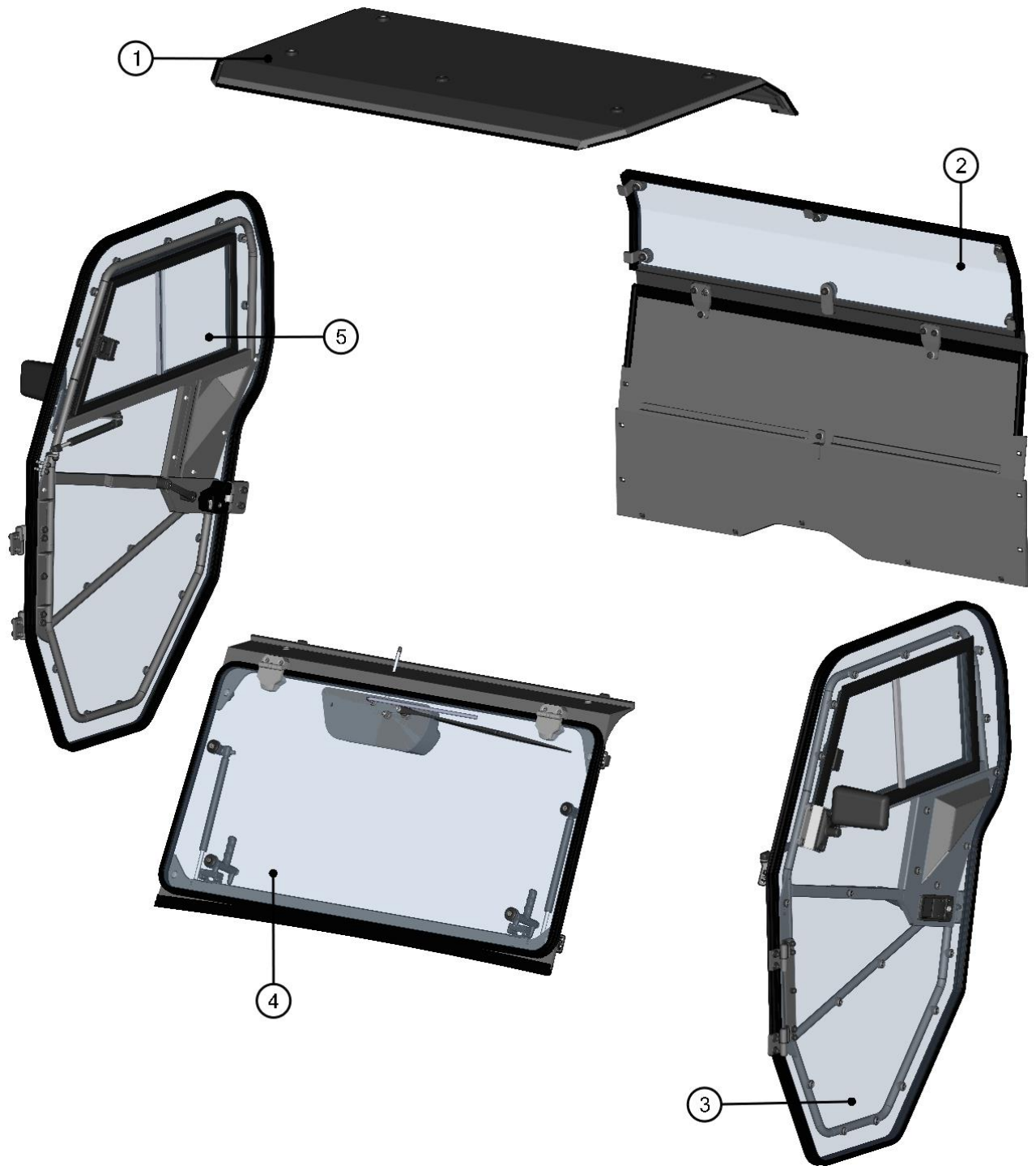


CAB PREVIEW



4

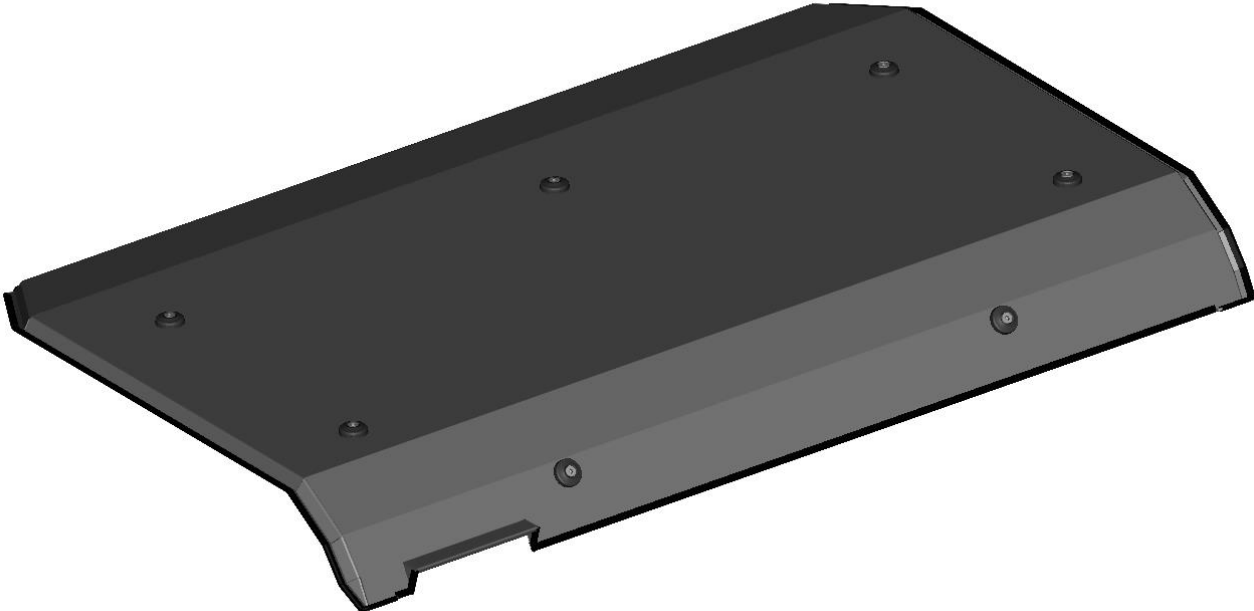
ALL PANELS



5

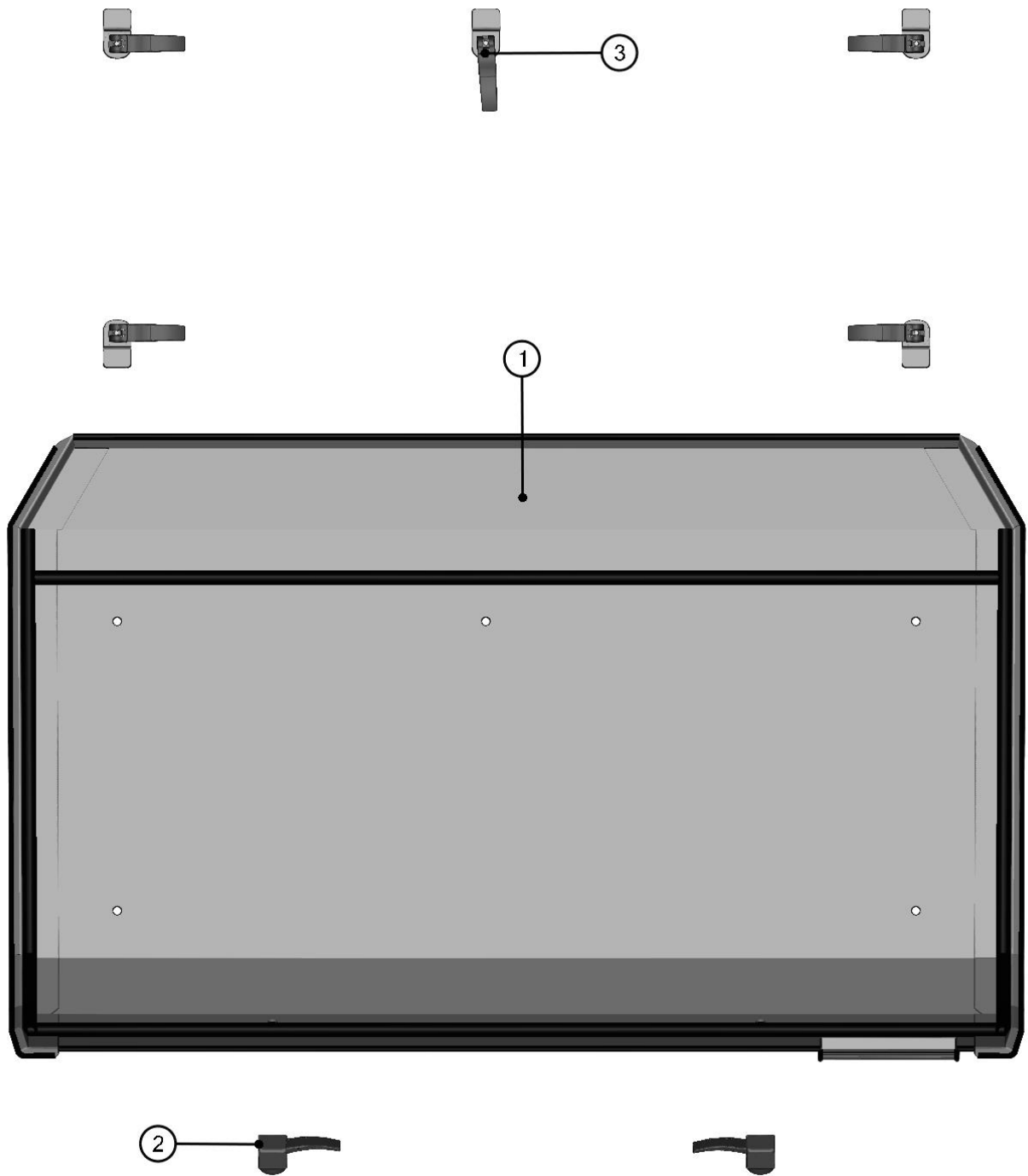
| ID | Catalogue no. | Description | Qty | Page |
|----|---------------|-------------|-----|------|
| 1 | 37S03U01S30 | ROOF PANEL | 1 | 7 |
| 2 | 37S03U01S20 | REAR PANEL | 1 | 11 |
| 3 | 37S03U01S40 | LEFT DOOR | 1 | 21 |
| 4 | 37S03U01S10 | FRONT PANEL | 1 | 21 |
| 5 | 37S03U01S50 | RIGHT DOOR | 1 | 43 |

ROOF PANEL



6

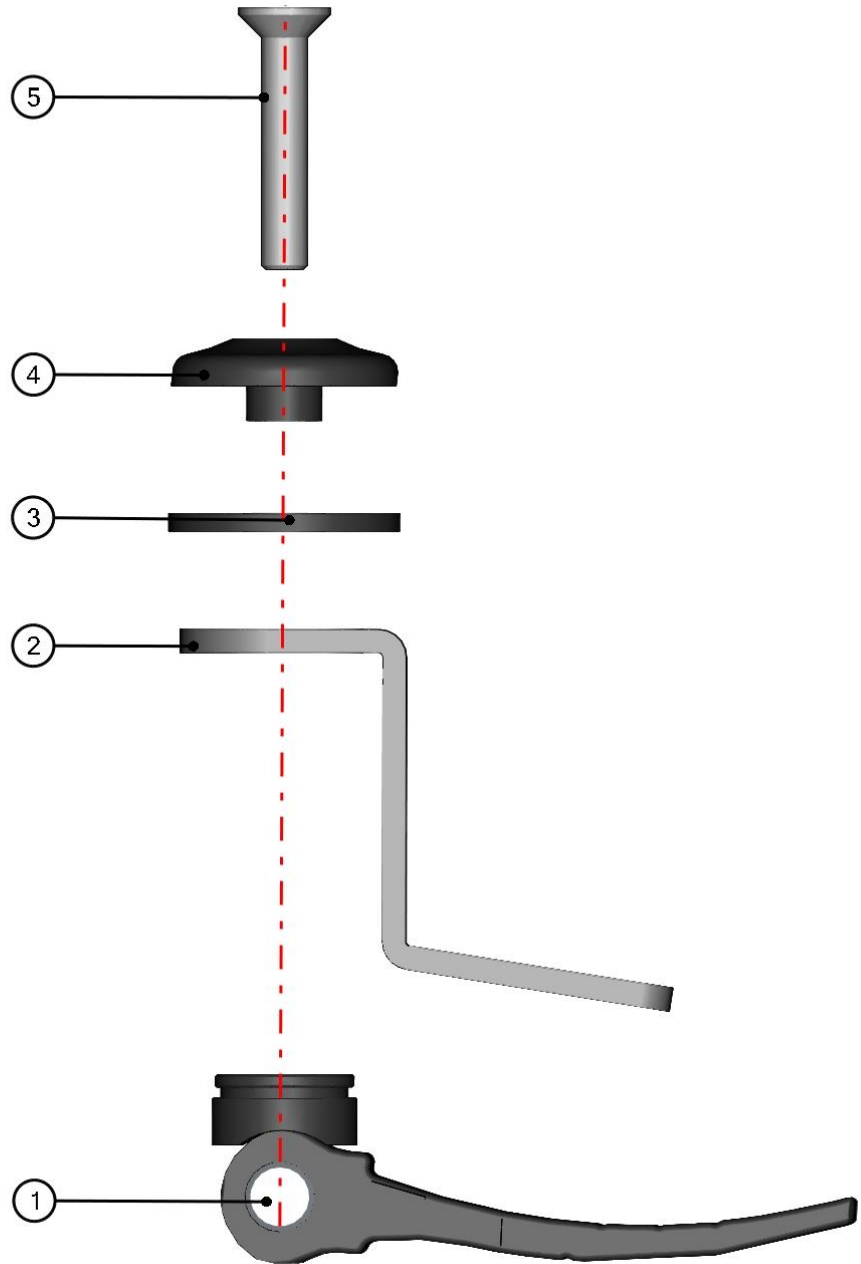
ROOF PANEL ASSEMBLIES



7

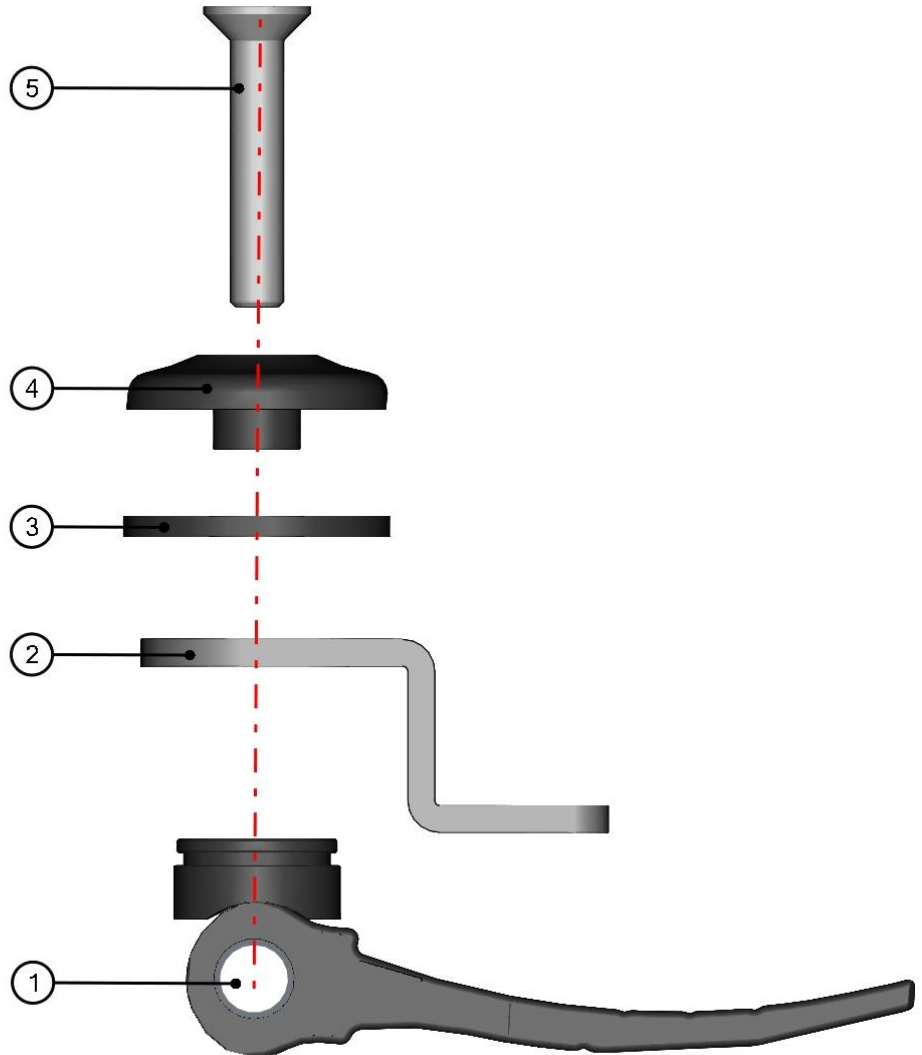
| ID | Catalogue no. | Description | Qty |
|----|-----------------|----------------------------------|-----|
| 1 | 37S03U01-30M001 | ROOF PANEL WITH SEALING | 1 |
| 2 | 37S03U01-30M002 | REAR ROOF PANEL HOLDER ASSEMBLY | 2 |
| 3 | 37S03U01-30M003 | FRONT ROOF PANEL HOLDER ASSEMBLY | 5 |

REAR ROOF PANEL HOLDER ASSEMBLY



| ID | Catalogue no. | Description | Qty |
|----|-----------------|-------------------------|-----|
| 1 | 00-117U-M007 | CLAMPING LEVER ASSEMBLY | 1 |
| 2 | 37S03U01-30-006 | REAR ROOF PANEL HOLDER | 1 |
| 3 | 001428 | RUBBER WASHER | 1 |
| 4 | 001429 | PLASTIC NOG | 1 |
| 5 | 001694 | SCREW M8x45 | 1 |

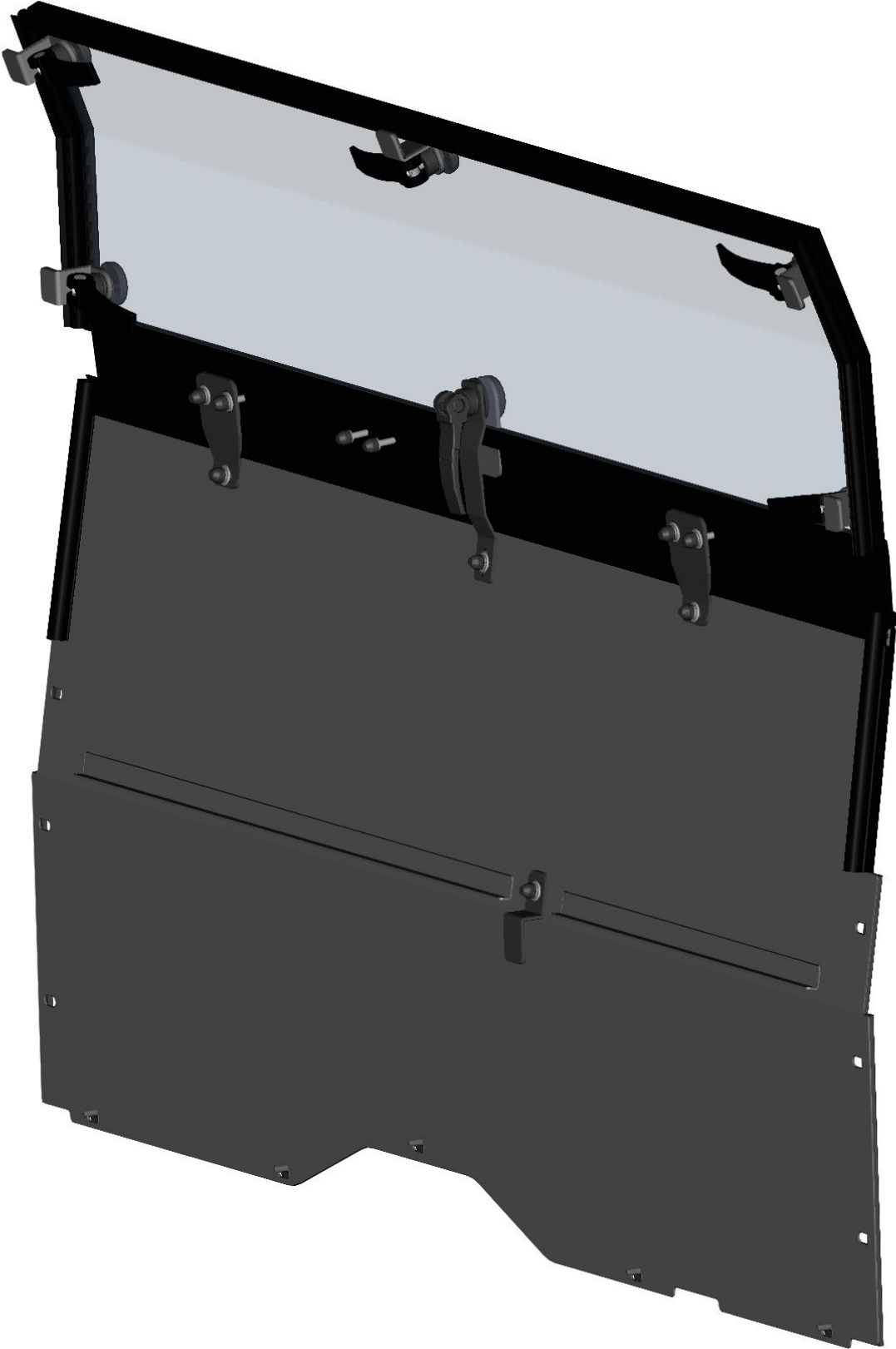
FRONT ROOF PANEL HOLDER ASSEMBLY



9

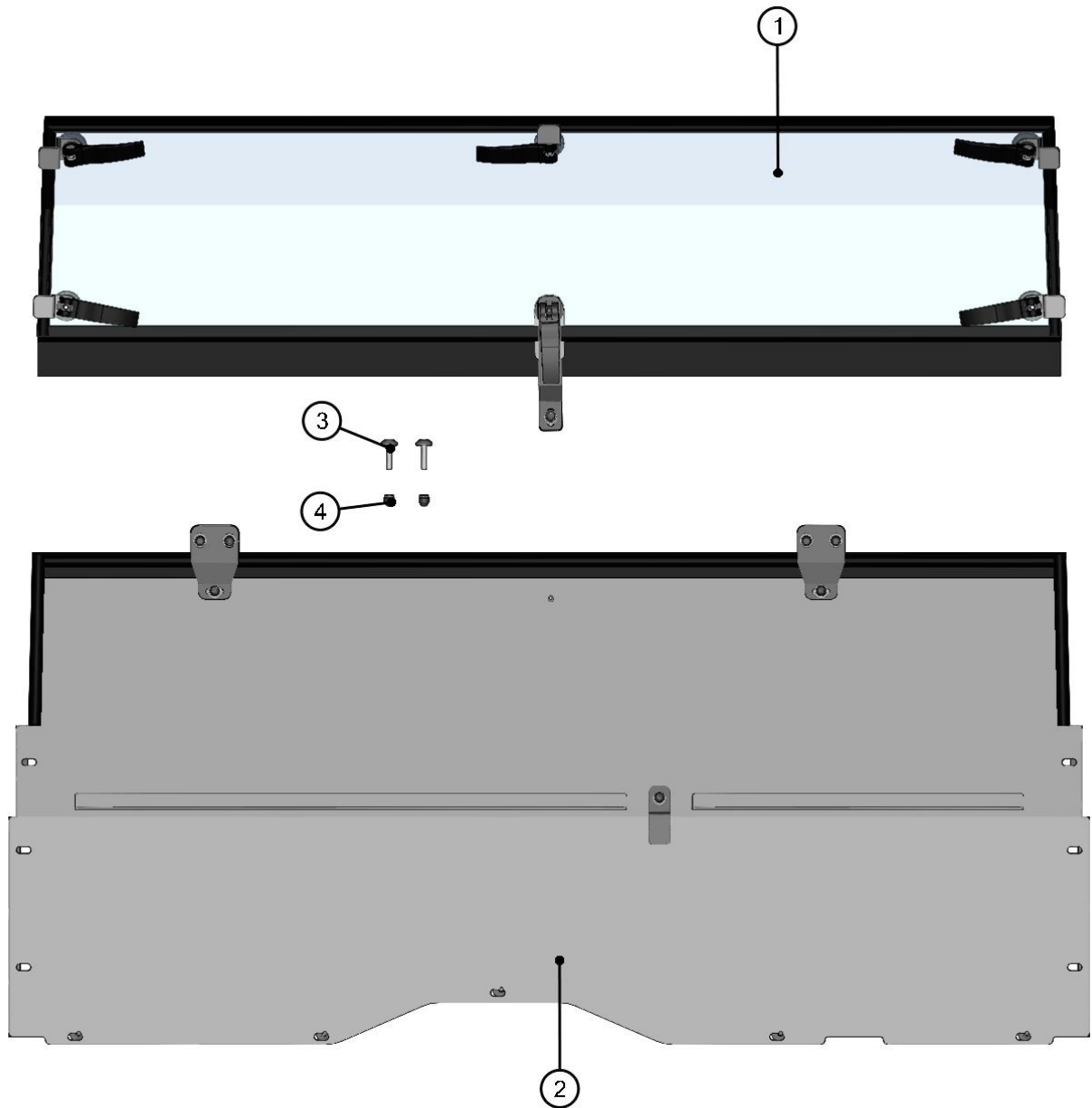
| ID | Catalogue no. | Description | Qty |
|----|-----------------|-------------------------|-----|
| 1 | 00-117U-M007 | CLAMPING LEVER ASSEMBLY | 1 |
| 2 | 37S03U01-30-007 | FRONT ROOF PANEL HOLDER | 1 |
| 3 | 001428 | RUBBER WASHER | 1 |
| 4 | 001429 | PLASTIC NOG | 1 |
| 5 | 001694 | SCREW M8x45 | 1 |

REAR PANEL



10

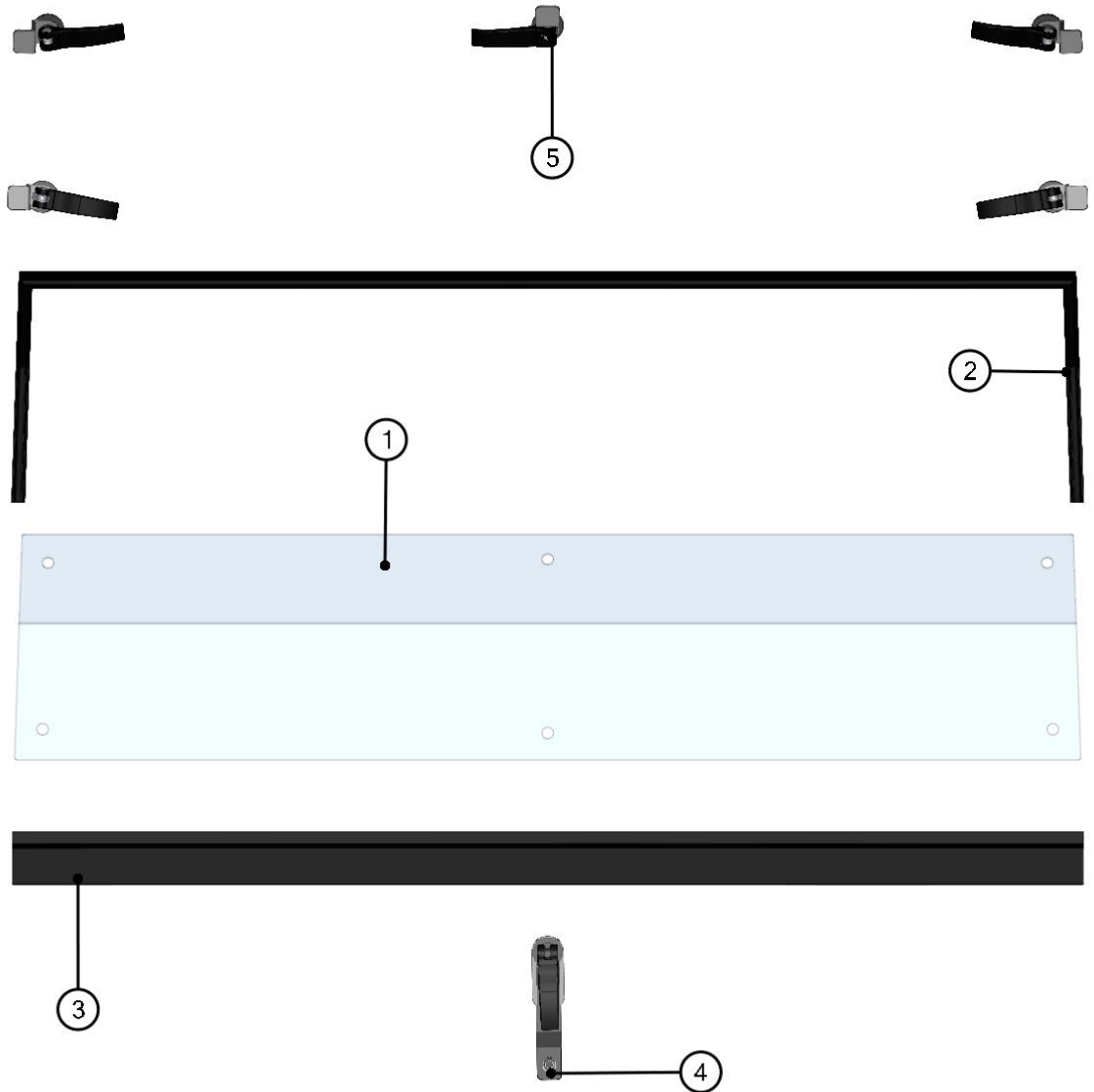
REAR PANEL ASSEMBLIES



11

| ID | Catalogue no. | Description | Qty |
|----|-----------------|----------------------------|-----|
| 1 | 37S03U01-20M001 | UPPER REAR PANEL ASSEMBLY | 1 |
| 2 | 37S03U01-20M004 | BOTTOM REAR PANEL ASSEMBLY | 1 |
| 3 | 37S03U01-20M008 | FIXING ASSEMBLY 1 | 2 |
| 4 | 00-00M030 | FIXING ASSEMBLY 2 | 2 |

UPPER REAR PANEL ASSEMBLY



12

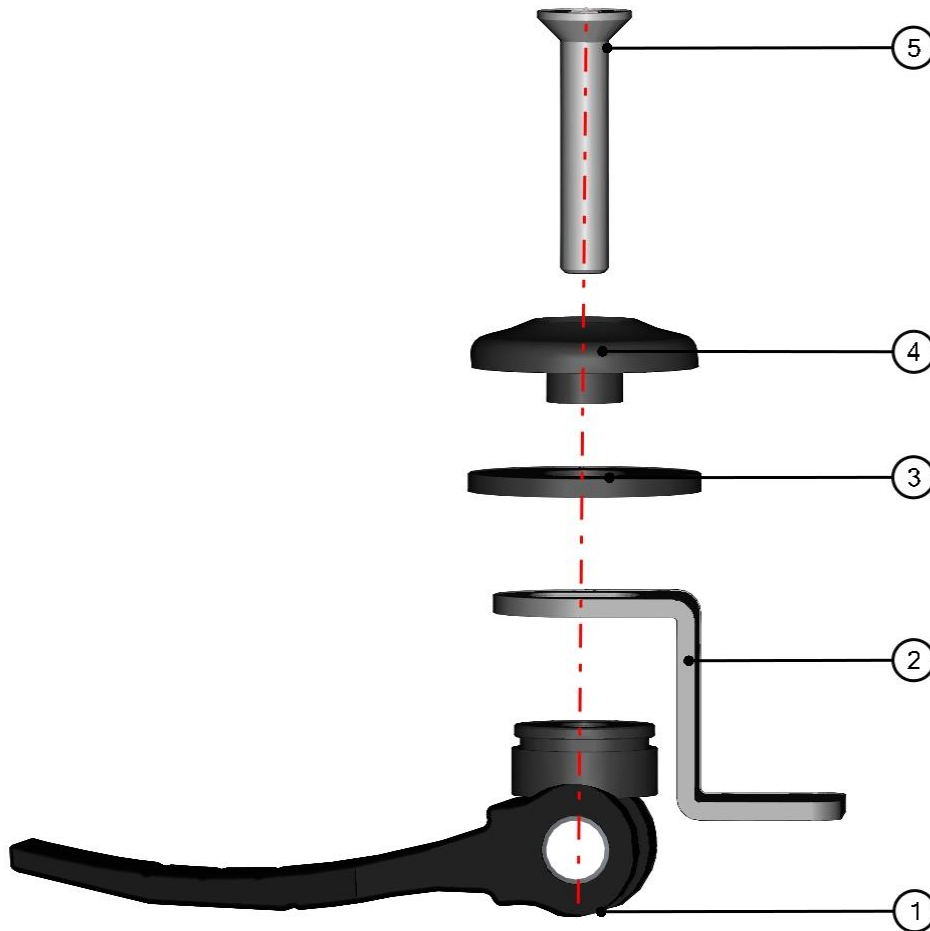
| ID | Catalogue no. | Description | Qty |
|----|------------------------|---|-----|
| 1 | 37S03U01-20-001 | REAR POLYCARBONATE | 1 |
| 2 | 001012^37S03U01-20M002 | RUBBER PROFILE "PIRELA GLASS" | 1 |
| 3 | 001668^37S03U01-20M002 | RUBBER PROFILE "BRUSH PIRELI" | 1 |
| 4 | 37S03U01-20M009 | REAR POLYCARBONATE BOTTOM HOLDER ASSEMBLY | 1 |
| 5 | 37S03U01-20M003 | REAR POLYCARBONATE UPPER HOLDER ASSEMBLY | 5 |

REAR POLYCARBONATE BOTTOM HOLDER ASSEMBLY



| ID | Catalogue no. | Description | Qty |
|----|-----------------|---|-----|
| 1 | 00-117U-M007 | CLAMPING LEVER | 1 |
| 2 | 001428 | RUBBER WASHER | 1 |
| 3 | 37S03U01-20-012 | REAR POLYCARBONATE BOTTOM HOLDER | 1 |
| 4 | 37S03U01-20-008 | REAR POLYCARBONATE BOTTOM HOLDER WASHER | 1 |
| 5 | 001428 | RUBBER WASHER | 1 |
| 6 | 001429 | PLASTIC NOG | 1 |
| 7 | 001399 | SCREW M8x60 | 1 |
| 8 | 001337 | RIVET WASHER 6 | 1 |
| 9 | 001426 | WASHER 6 | 1 |
| 10 | 001392 | SELF-LOCKING NUT M6 | 1 |
| 11 | 001348 | PLASTIC NUT COVER OK 10 | 1 |

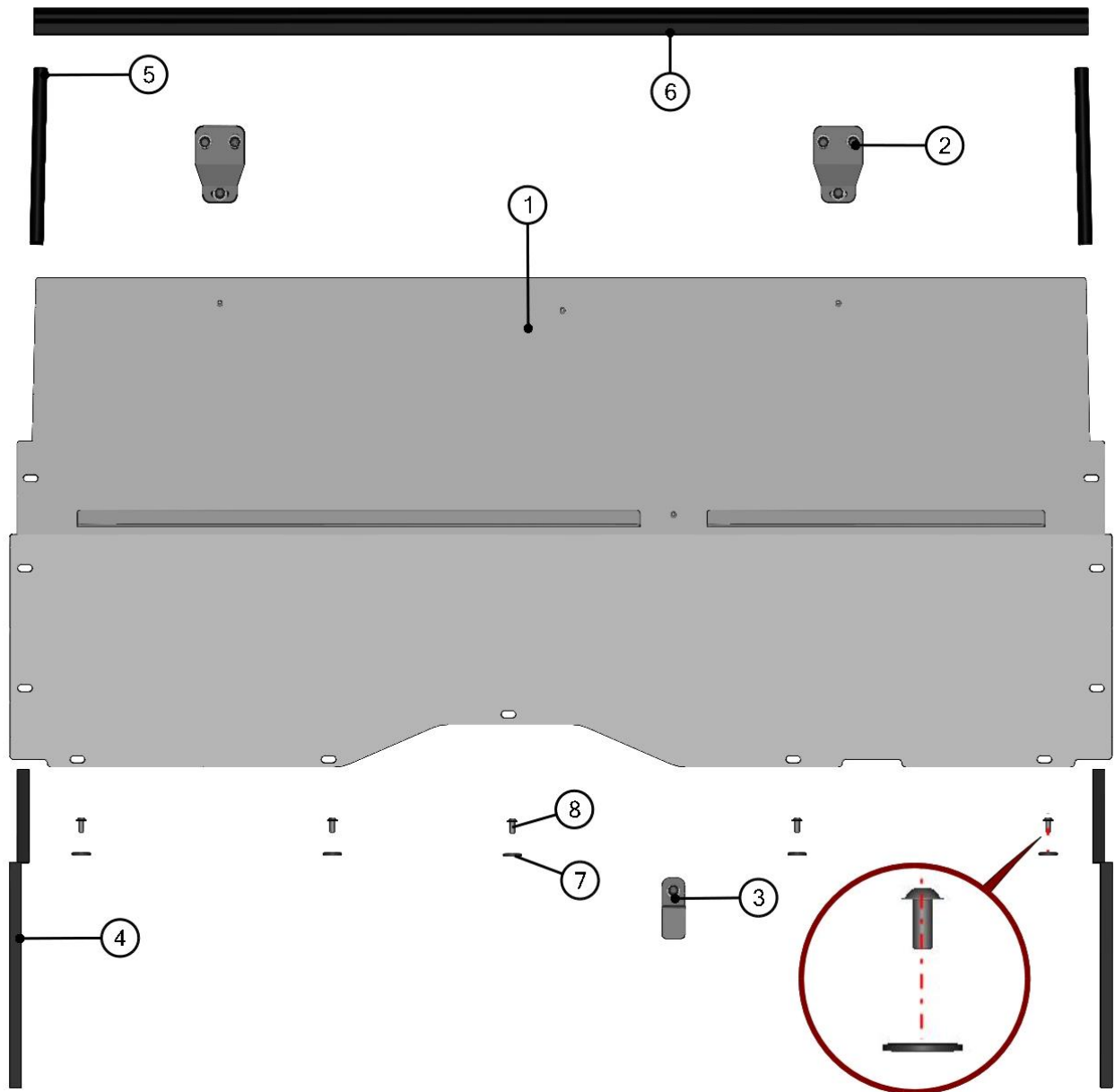
REAR POLYCARBONATE UPPER HOLDER ASSEMBLY



14

| ID | Catalogue no. | Description | Qty |
|----|-----------------|---------------------------------|-----|
| 1 | 00-117U-M007 | CLAMPING LEVER | 1 |
| 2 | 37S03U01-20-003 | REAR POLYCARBONATE UPPER HOLDER | 1 |
| 3 | 001428 | RUBBER WASHER | 1 |
| 4 | 001429 | PLASTIC NOG | 1 |
| 5 | 001694 | SCREW M8x45 | 1 |

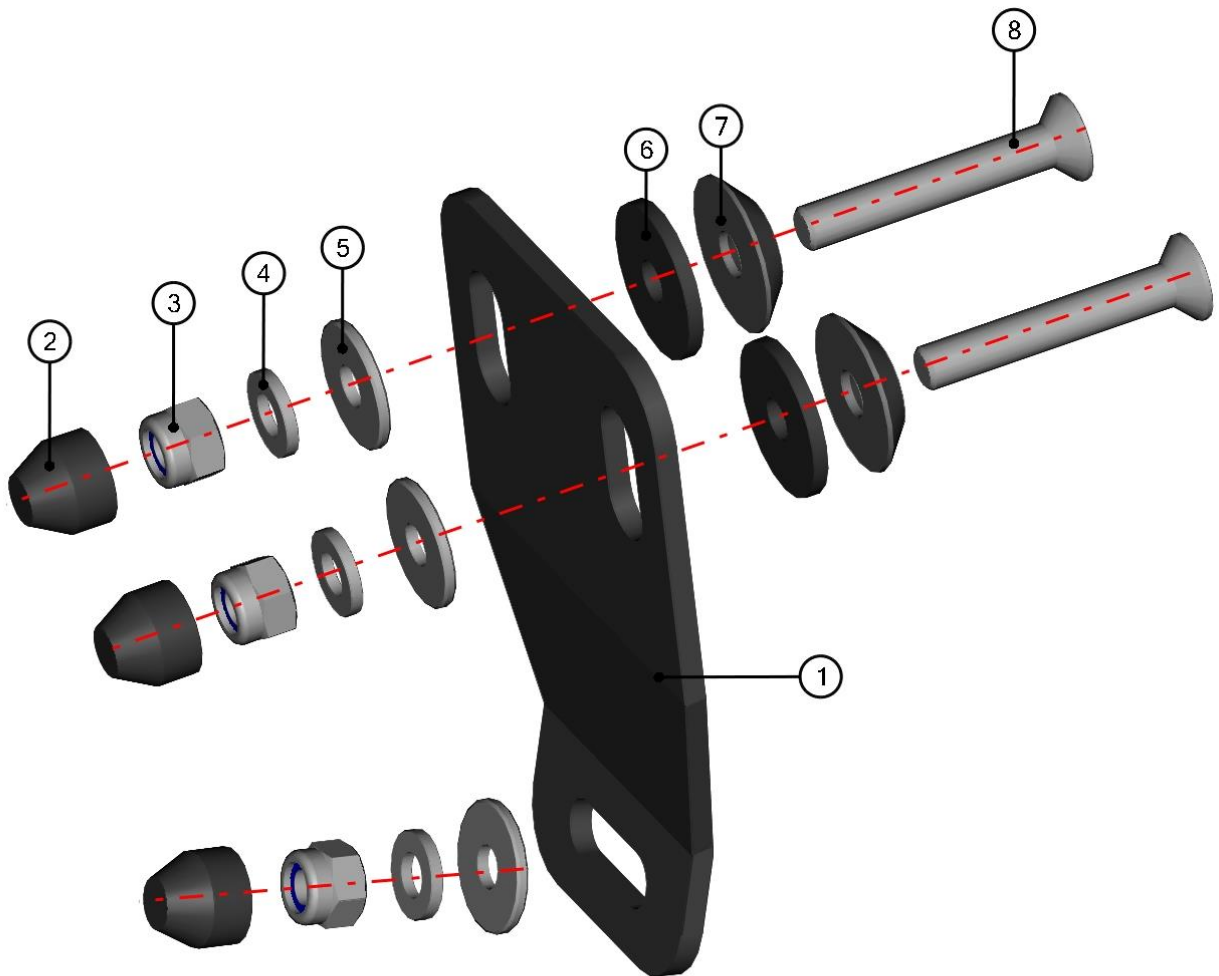
BOTTOM REAR PANEL ASSEMBLY



15

| ID | Catalogue no. | Description | Qty |
|----|------------------------|--|-----|
| 1 | 37S03U01-20W001 | REAR BOTTOM PANEL WELDED | 1 |
| 2 | 37S03U01-20M006 | REAR BOTTOM PANEL UPPER HOLDER ASSEMBLY | 2 |
| 3 | 37S03U01-20M007 | REAR BOTTOM PANEL MIDDLE HOLDER ASSEMBLY | 1 |
| 4 | 001771^37S03U01-20M005 | RUBBER SEALING KR 15x4 | 1 |
| 5 | 001004^37S03U01-20M005 | RUBBER PROFILE "PIRELA SIDE" | 1 |
| 6 | 001005^37S03U01-20M005 | RUBBER PROFILE "PIRELA STRAIGHT" | 1 |
| 7 | 003322 | RIVET WASHER 8 | 5 |
| 8 | 002971 | SCREW M6x15 | 5 |

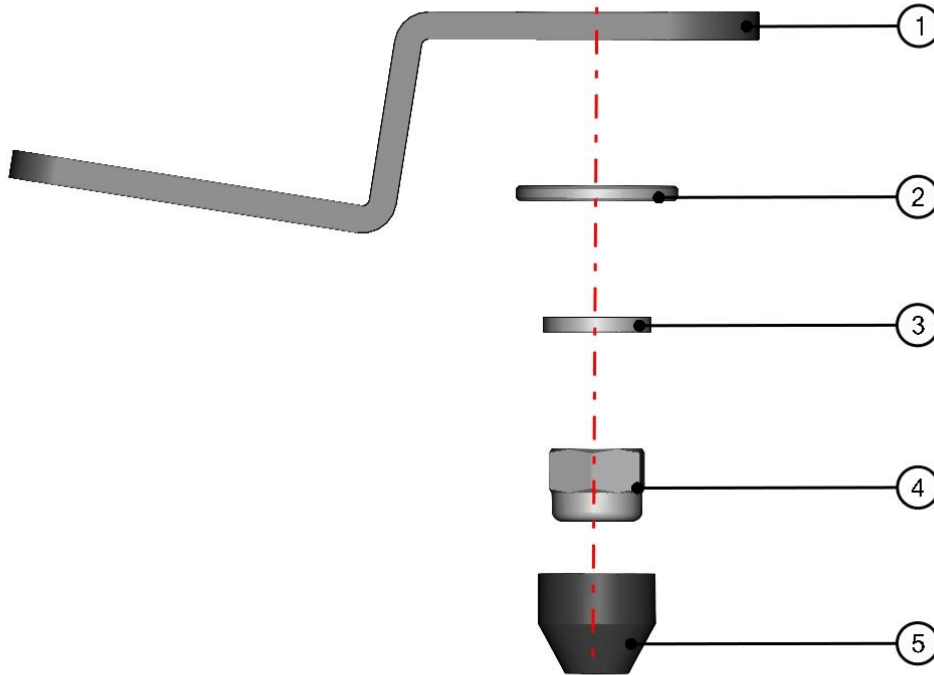
BOTTOM REAR PANEL UPPER HOLDER ASSEMBLY



16

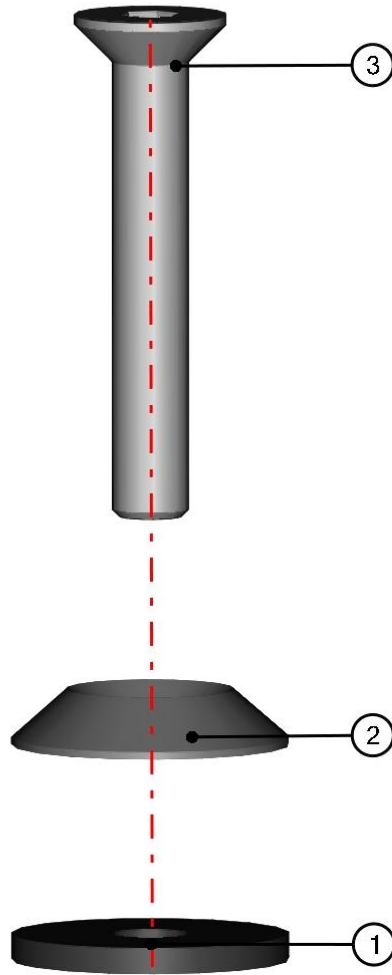
| ID | Catalogue no. | Description | Qty |
|----|-----------------|--------------------------|-----|
| 1 | 37S03U01-20-005 | BOTTOM REAR PANEL HOLDER | 1 |
| 2 | 001348 | PLASTIC NUT COVER OK 10 | 3 |
| 3 | 001392 | SELF-LOCKING NUT M6 | 3 |
| 4 | 001426 | WASHER 6 | 3 |
| 5 | 001337 | RIVET WASHER 6 | 3 |
| 6 | 001735 | RUBBER WASHER | 2 |
| 7 | 001715 | PLASTIC WASHER | 2 |
| 8 | 002808 | SCREW M6x40 | 2 |

BOTTOM REAR PANEL BOTTOM HOLDER ASSEMBLY



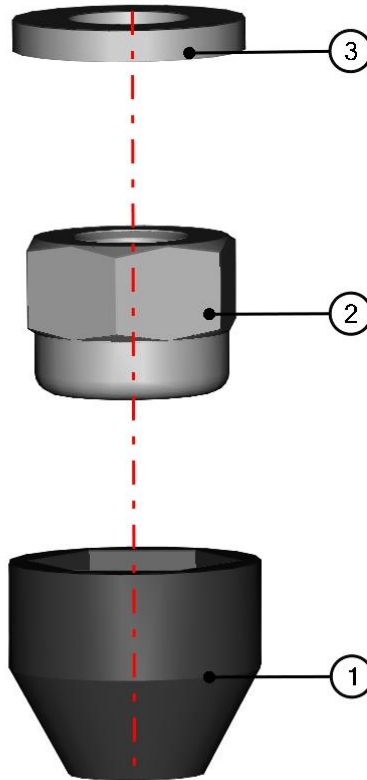
| ID | Catalogue no. | Description | Qty |
|----|-----------------|---------------------------------|-----|
| 1 | 37S03U01-20-006 | REAR BOTTOM PANEL MIDDLE HOLDER | 1 |
| 2 | 001337 | RIVET WASHER 6 | 1 |
| 3 | 001426 | WASHER 6 | 1 |
| 4 | 001392 | SELF-LOCKING NUT M6 | 1 |
| 5 | 001348 | PLASTIC NUT COVER OK 10 | 1 |

FIXING ASSEMBLY 1



| ID | Catalogue no. | Description | Qty |
|----|---------------|----------------|-----|
| 1 | 001735 | RUBBER WASHER | 1 |
| 2 | 001715 | PLASTIC WASHER | 1 |
| 3 | 002808 | SCREW M6x40 | 1 |

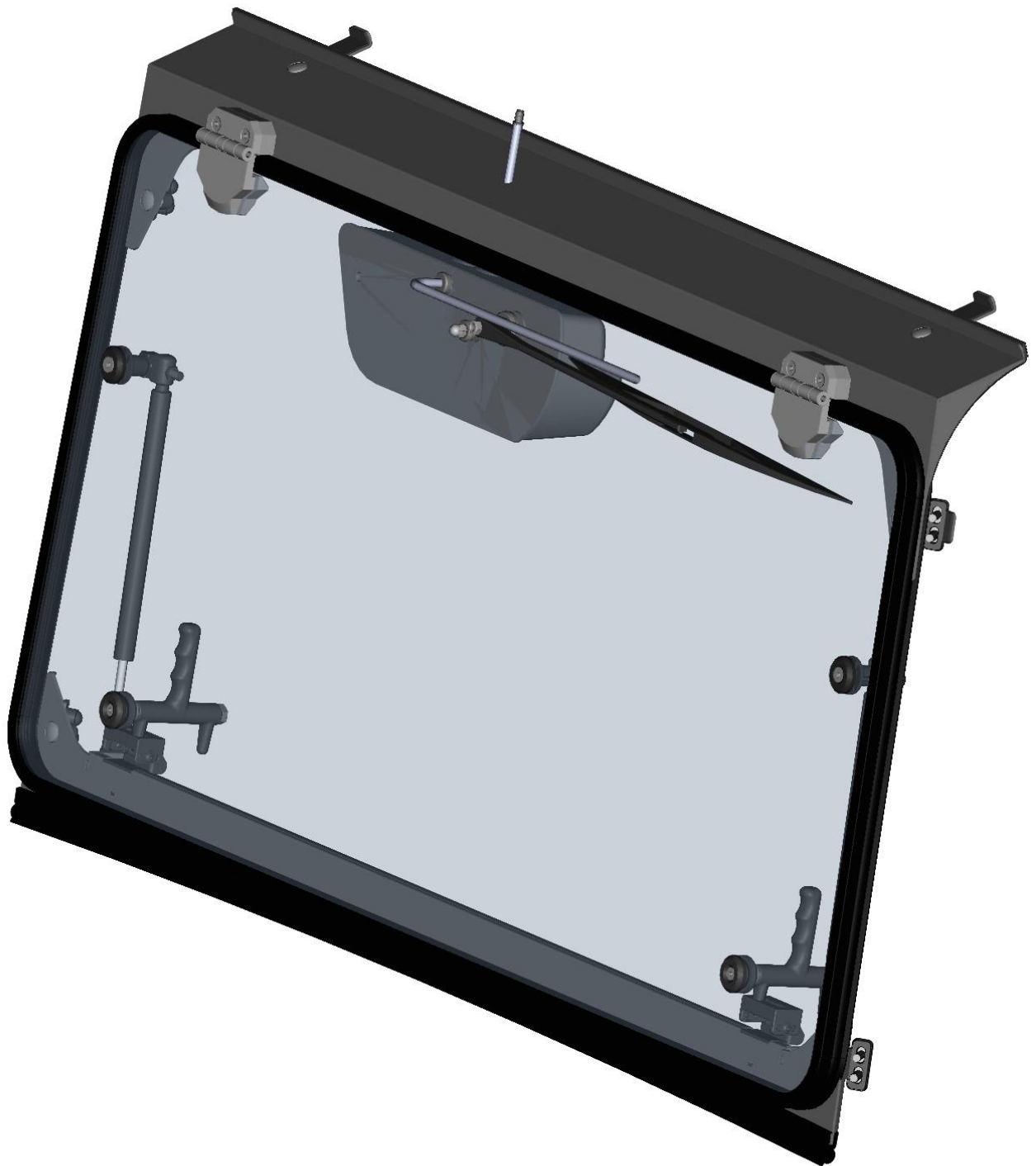
FIXING ASSEMBLY 2



19

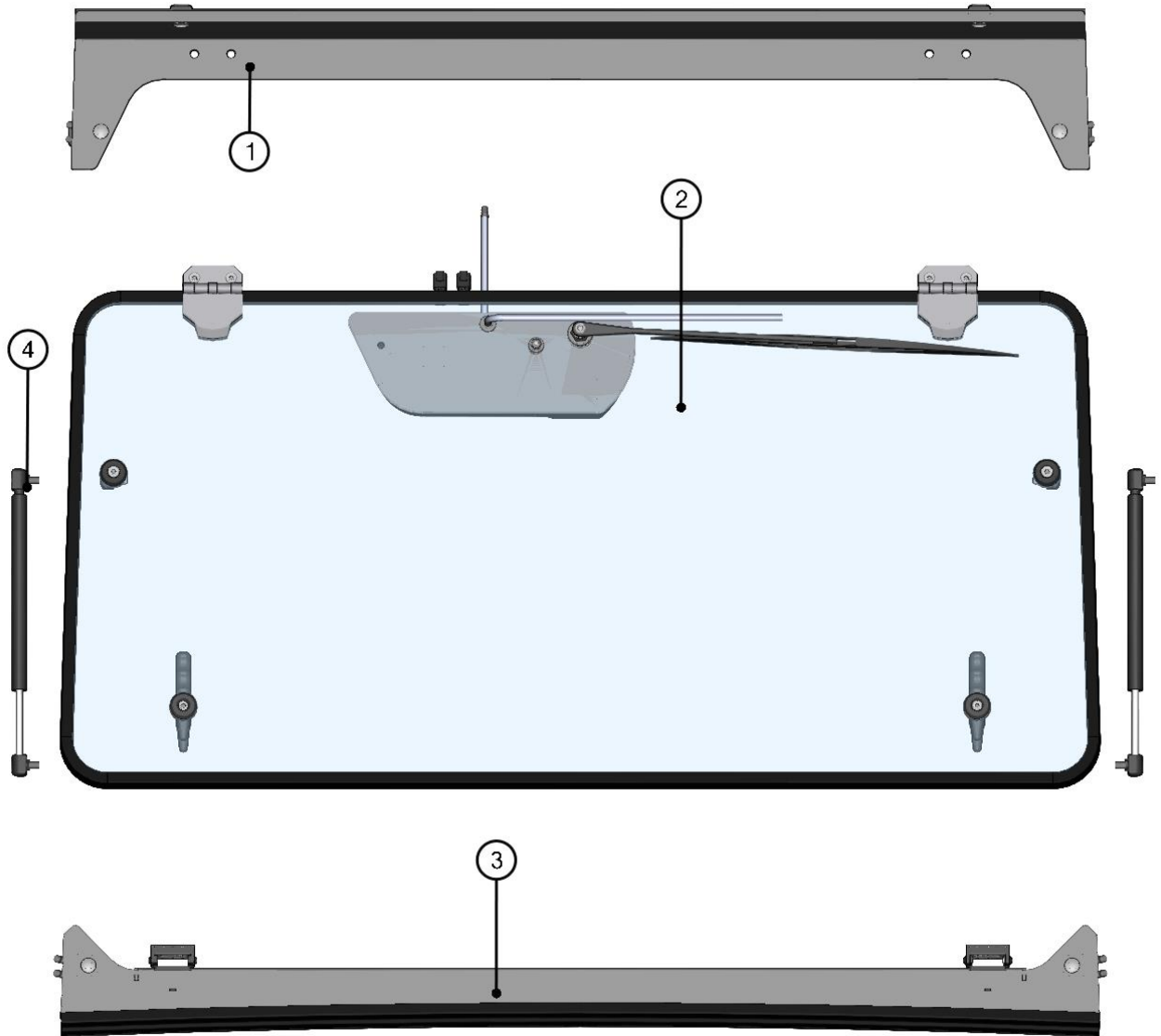
| ID | Catalogue no. | Description | Qty |
|----|---------------|-------------------------|-----|
| 1 | 001348 | PLASTIC NUT COVER OK 10 | 1 |
| 2 | 001392 | SELF-LOCKING NUT M6 | 1 |
| 3 | 001426 | WASHER 6 | 1 |

FRONT PANEL



20

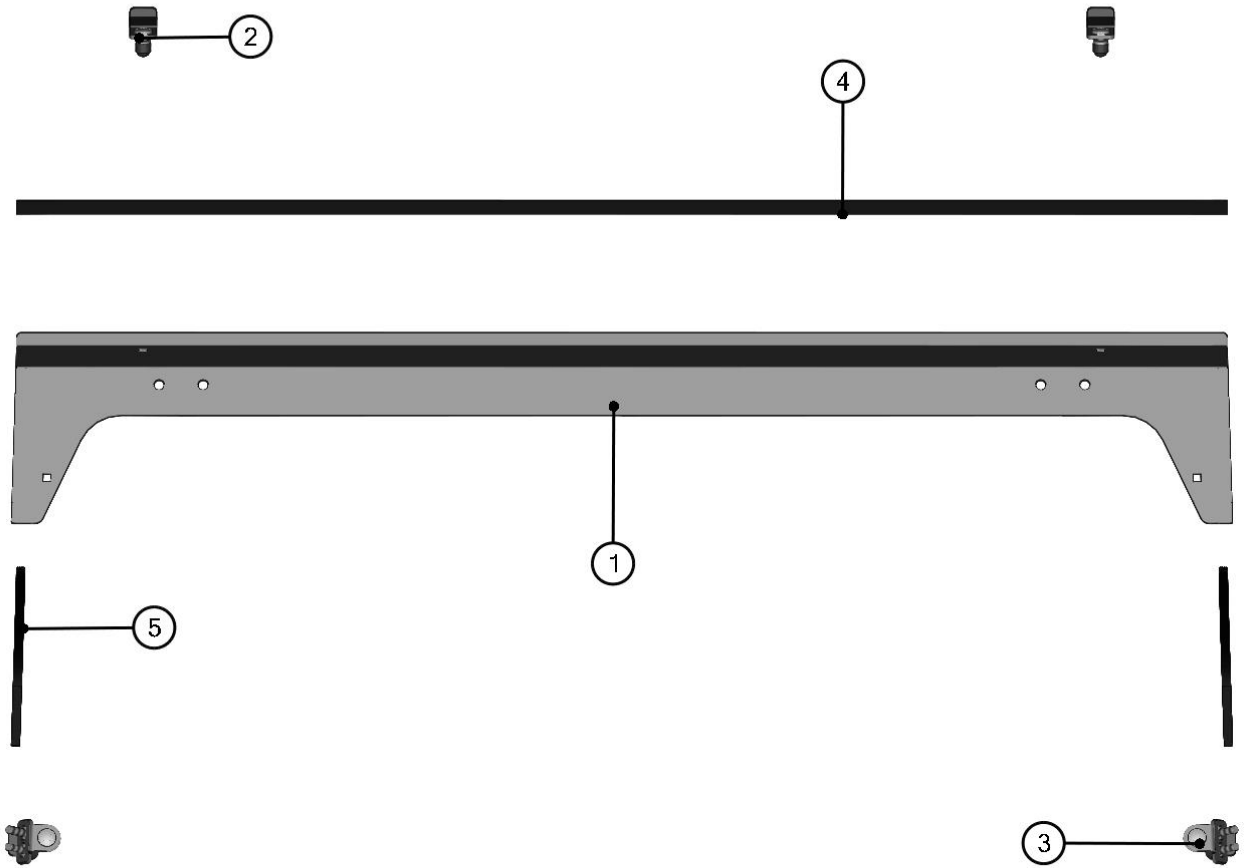
FRONT PANEL ASSEMBLIES



21

| ID | Catalogue no. | Description | Qty |
|----|-----------------|-----------------------------|-----|
| 1 | 37S03U01-10M002 | FRONT UPPER LEDGE ASSEMBLY | 1 |
| 2 | 37S03U01-10M001 | FRONT GLASS ASSEMBLY | 1 |
| 3 | 37S03U01-10M003 | FRONT BOTTOM LEDGE ASSEMBLY | 1 |
| 4 | 002494 | GAS SPRING | 2 |

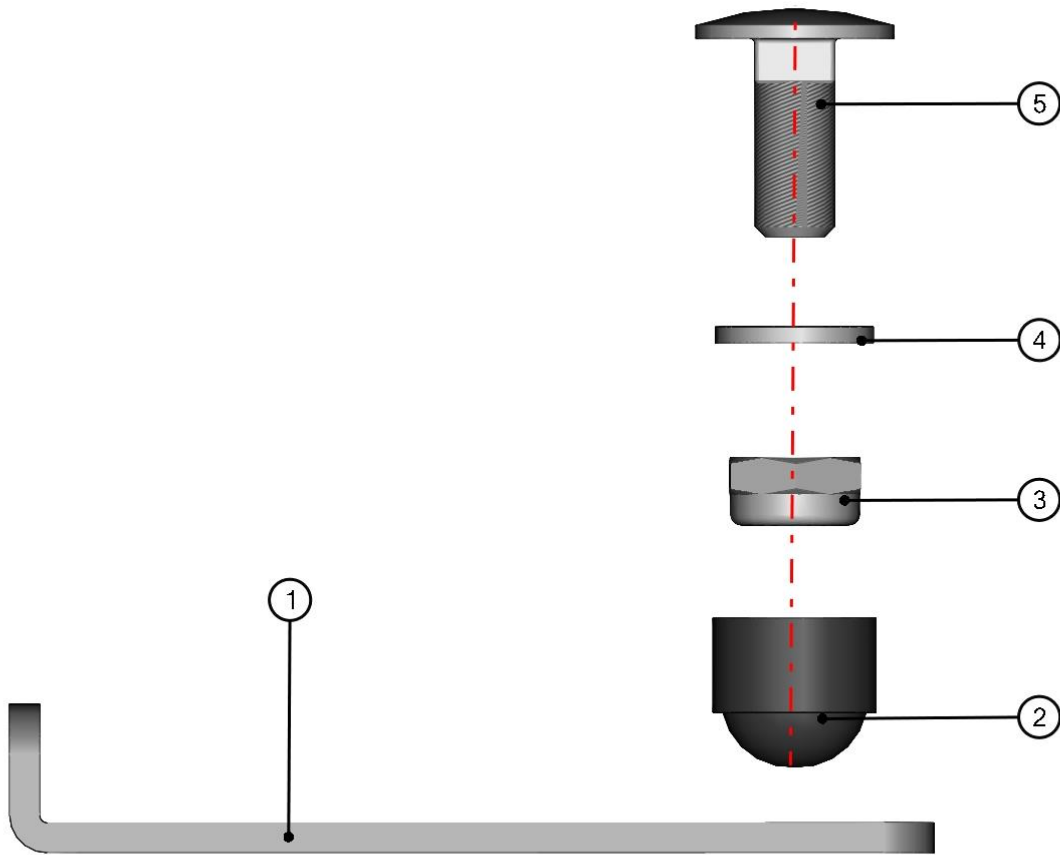
FRONT UPPER LEDGE ASSEMBLY



22

| ID | Catalogue no. | Description | Qty |
|----|------------------------|--|-----|
| 1 | 37S03U01-10W001 | FRONT UPPER LEDGE WELDED | 1 |
| 2 | 37S03U01-10M005 | FRONT UPPER LEDGE UPPER HOLDER ASSEMBLY | 2 |
| 3 | 37S03U01-10M006 | FRONT UPPER LEDGE BOTTOM HOLDER ASSEMBLY | 2 |
| 4 | 001771^37S03U01-10M002 | RUBBER SEALING KR 15x4 | 1 |
| 5 | 001354^37S03U01-10M002 | RUBBER PROFILE KR 9x3 | 1 |

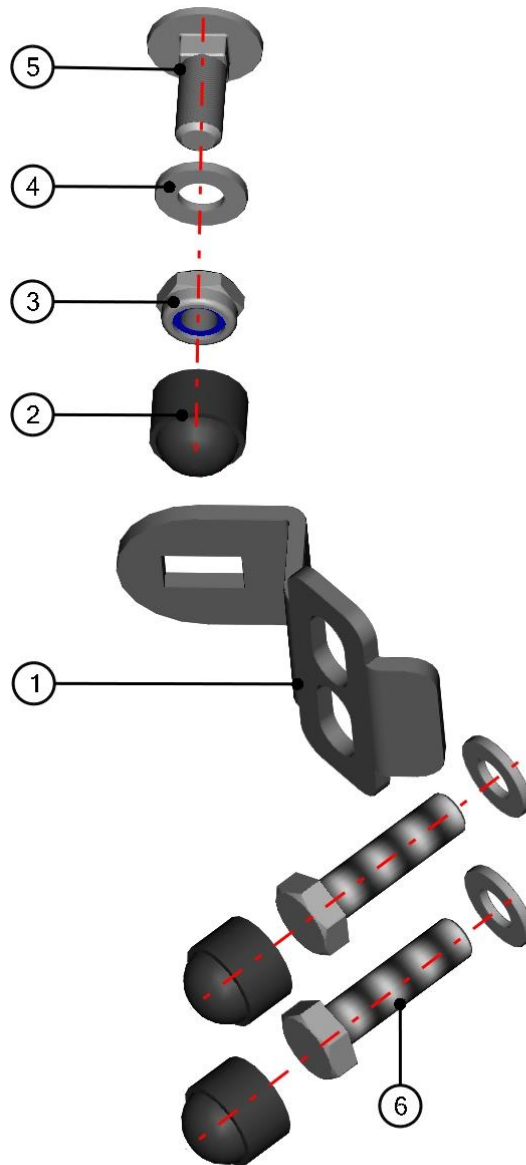
FRONT UPPER LEDGE UPPER HOLDER ASSEMBLY



23

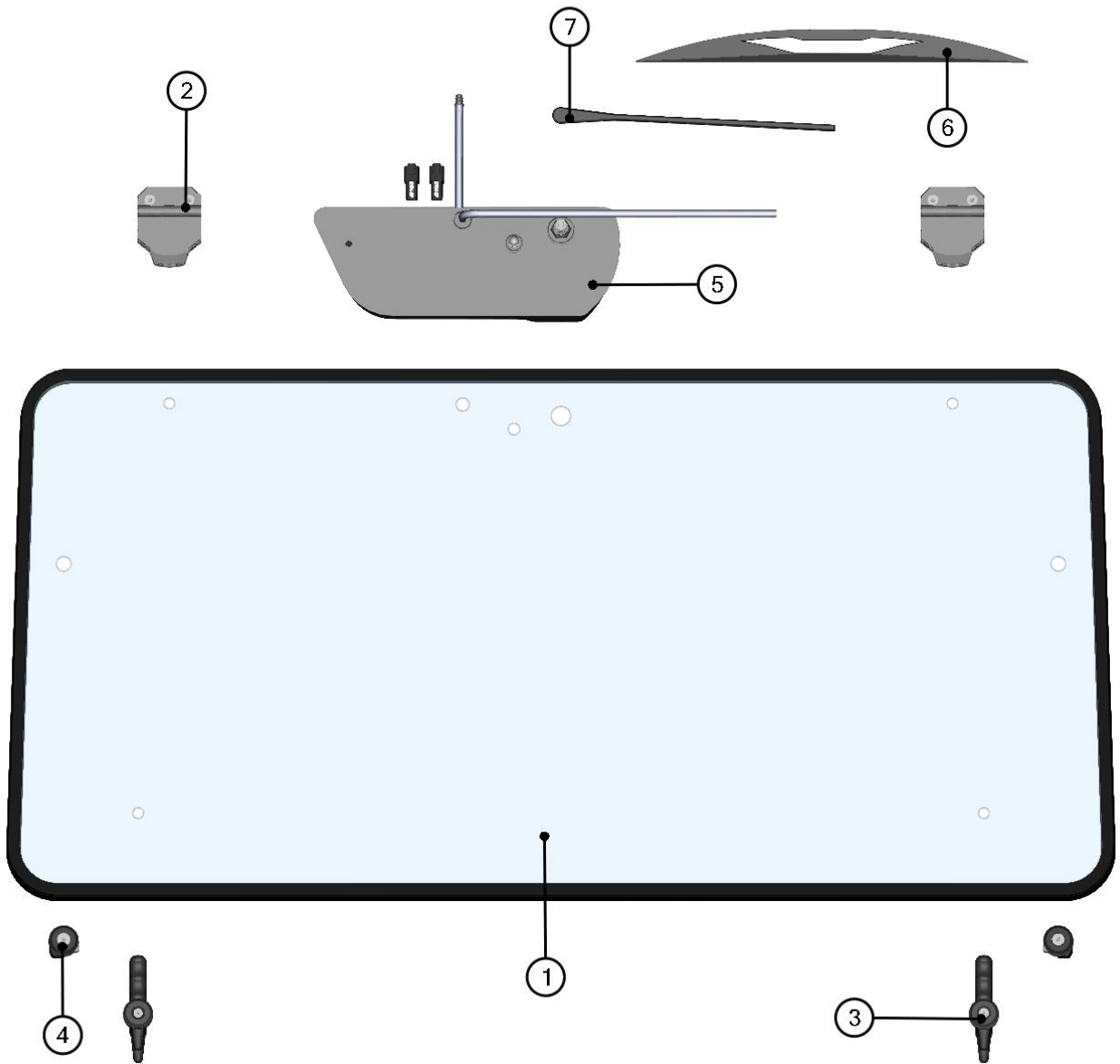
| ID | Catalogue no. | Description | Qty |
|----|-----------------|--------------------------------|-----|
| 1 | 37S03U01-10-006 | FRONT UPPER LEDGE UPPER HOLDER | 1 |
| 2 | 001309 | PLASTIC NUT COVER OK 13 | 1 |
| 3 | 001388 | SELF-LOCKING NUT M8 | 1 |
| 4 | 001387 | WASHER 8 | 1 |
| 5 | 002575 | SCREW M8x20 | 1 |

FRONT UPPER LEDGE BOTTOM HOLDER ASSEMBLY



| ID | Catalogue no. | Description | Qty |
|----|-----------------|---------------------------------|-----|
| 1 | 37S03U01-10-008 | FRONT UPPER LEDGE BOTTOM HOLDER | 1 |
| 2 | 001309 | PLASTIC NUT COVER OK 13 | 3 |
| 3 | 001388 | SELF-LOCKING NUT M8 | 1 |
| 4 | 001387 | WASHER 8 | 3 |
| 5 | 002575 | SCREW M8x20 | 1 |
| 6 | 001411 | SCREW M8x30 | 2 |

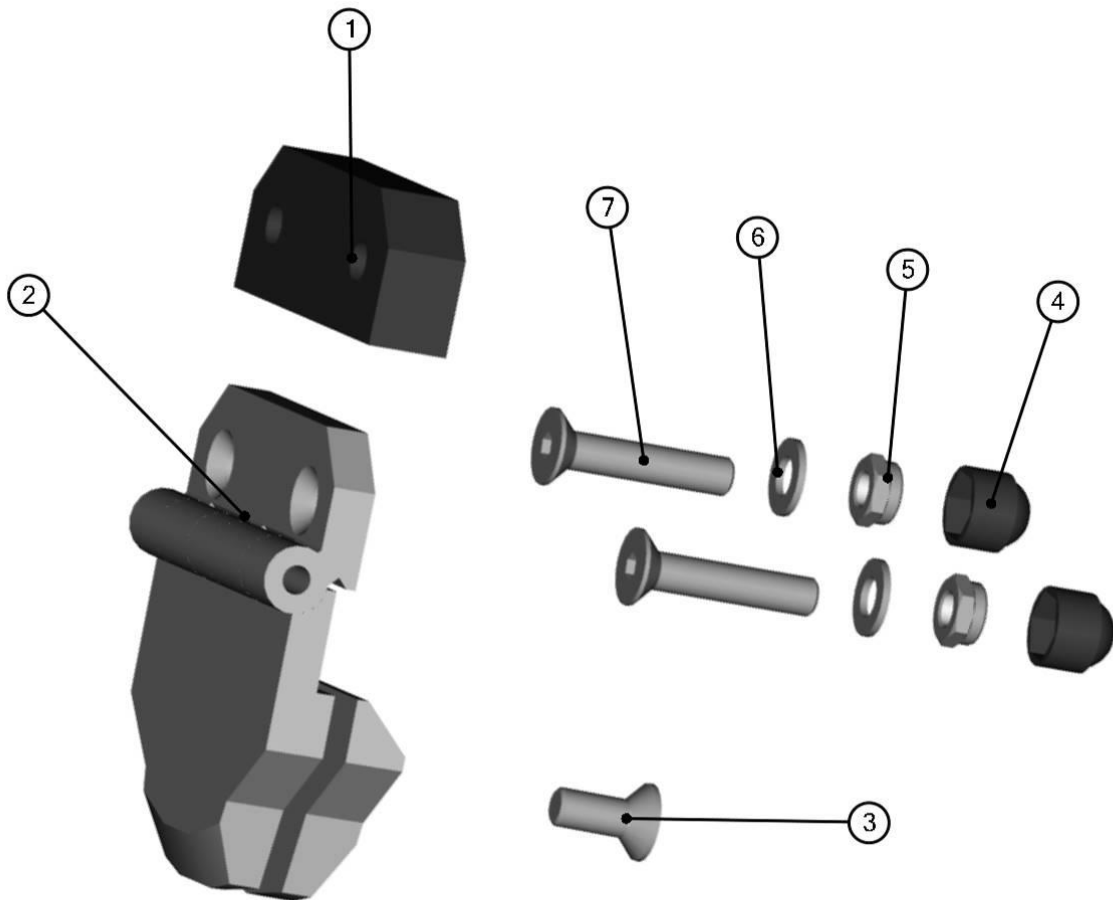
FRONT GLASS ASSEMBLY



25

| ID | Catalogue no. | Description | Qty |
|----|-----------------|----------------------------|-----|
| 1 | 37S03U01-10M004 | FRONT GLASS WITH SEALING | 1 |
| 2 | 00-10M012 | FRONT PANEL HINGE ASSEMBLY | 2 |
| 3 | 00-10M026 | FRONT GLASS LOCK | 2 |
| 4 | 00-20M005 | GAS SPRING HOLDER | 2 |
| 5 | 41S04U04-01M001 | WIPER ASSEMBLY | 1 |
| 6 | 000799 | WIPER BLADE | 1 |
| 7 | 001764 | WIPER ARM | 1 |

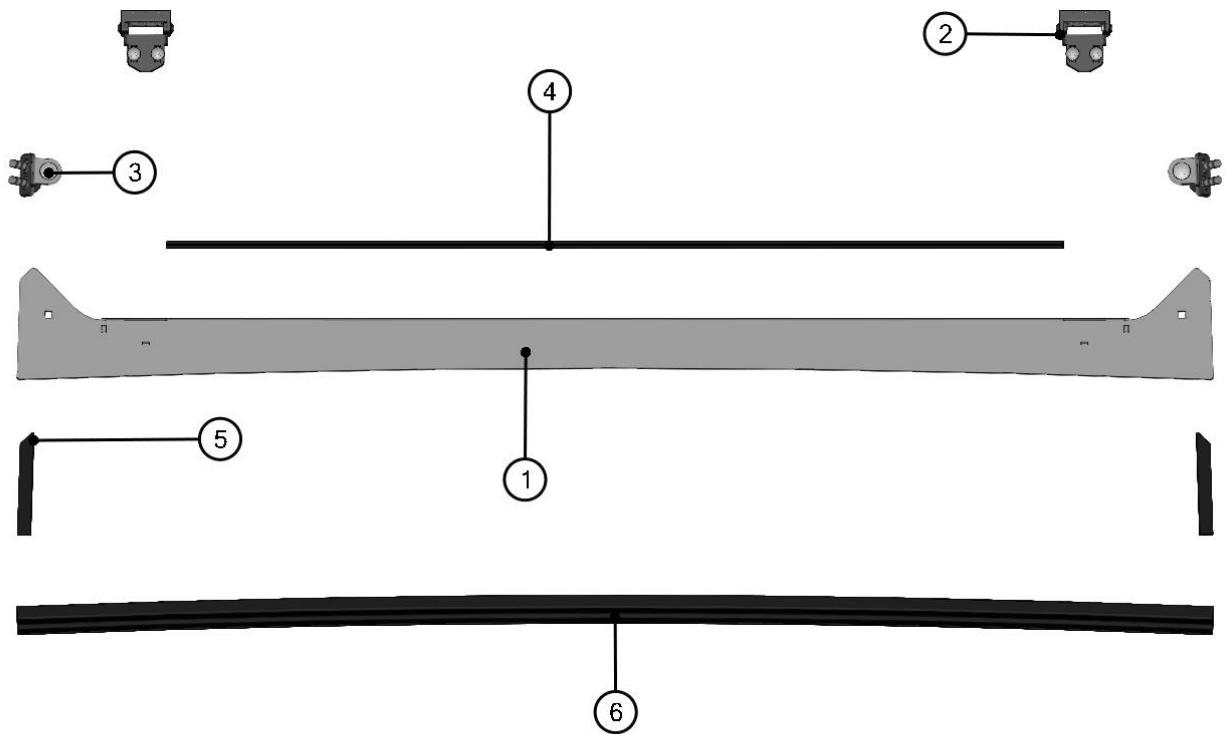
FRONT PANEL HINGE ASSEMBLY



26

| ID | Catalogue no. | Description | Qty |
|----|---------------|---------------------|-----|
| 1 | 000863 | PLASTIC WASHER | 1 |
| 2 | 000862 | HINGE ASSEMBLY | 1 |
| 3 | 002784 | SCREW M8x20 | 1 |
| 4 | 001309 | PLASTIC COVER OK 13 | 2 |
| 5 | 001388 | SELF-LOCKING NUT M8 | 2 |
| 6 | 001387 | WASHER 8 | 2 |
| 7 | 002607 | SCREW M8x40 | 2 |

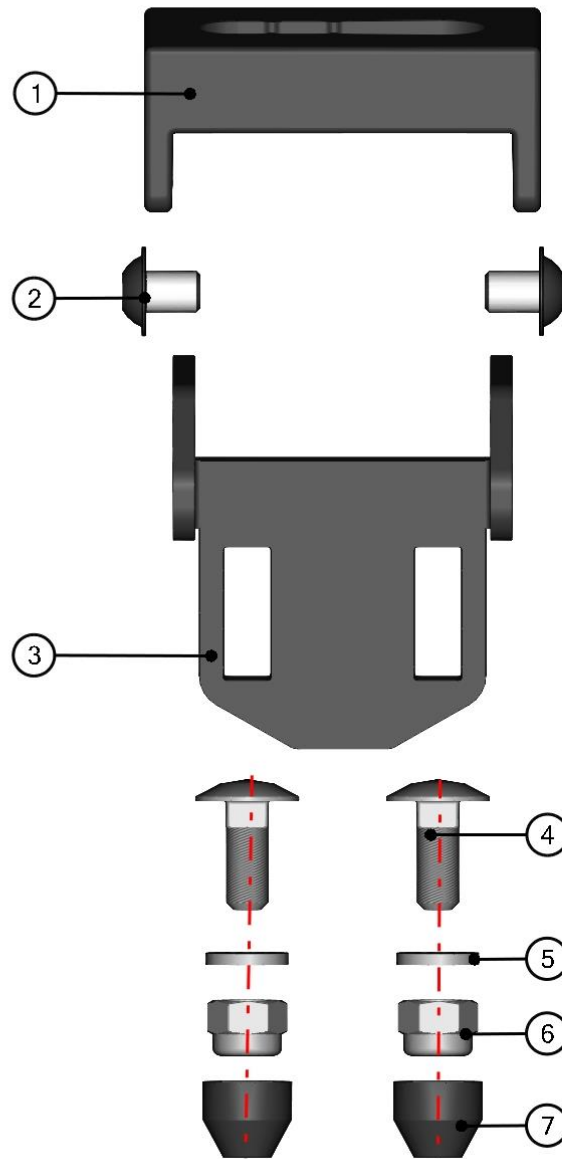
FRONT BOTTOM LEDGE ASSEMBLY



27

| ID | Catalogue no. | Description | Qty |
|----|------------------------|------------------------------------|-----|
| 1 | 37S03U01-10W002 | FRONT BOTTOM LEDGE WELDED | 1 |
| 2 | 50S02U02-10M009 | FRONT GLASS STOP ASSEMBLY | 2 |
| 3 | 37S03U01-10M007 | FRONT BOTTOM LEDGE HOLDER ASSEMBLY | 2 |
| 4 | 001001^37S03U01-10M003 | RUBBER PROFILE "LEMOVKA" | 1 |
| 5 | 001771^37S03U01-10M003 | RUBBER PROFILE KR 15x4 | 1 |
| 6 | 001005^37S03U01-10M003 | RUBBER PROFILE "PIRELA" | 1 |

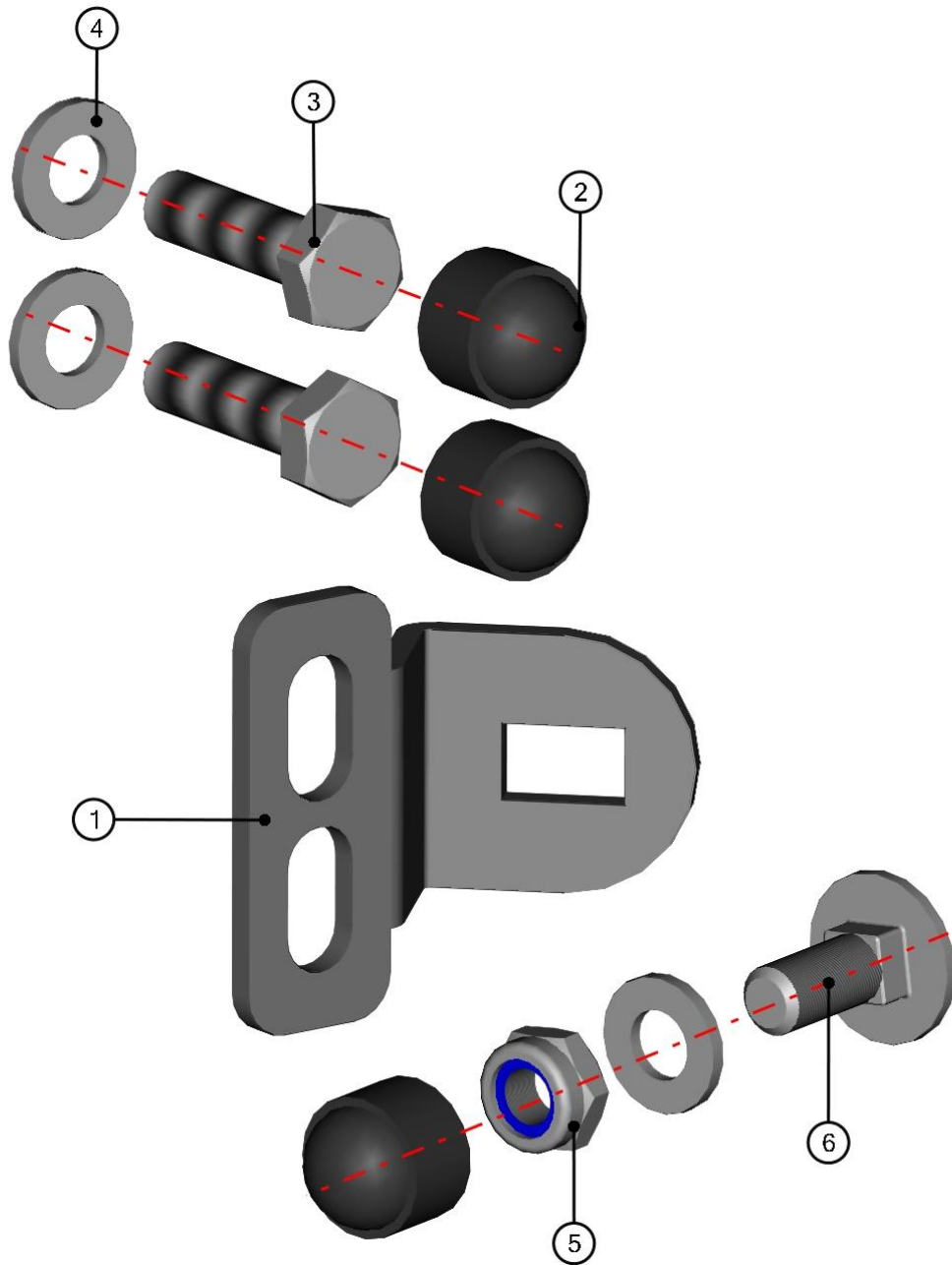
FRONT GLASS STOP ASSEMBLY



28

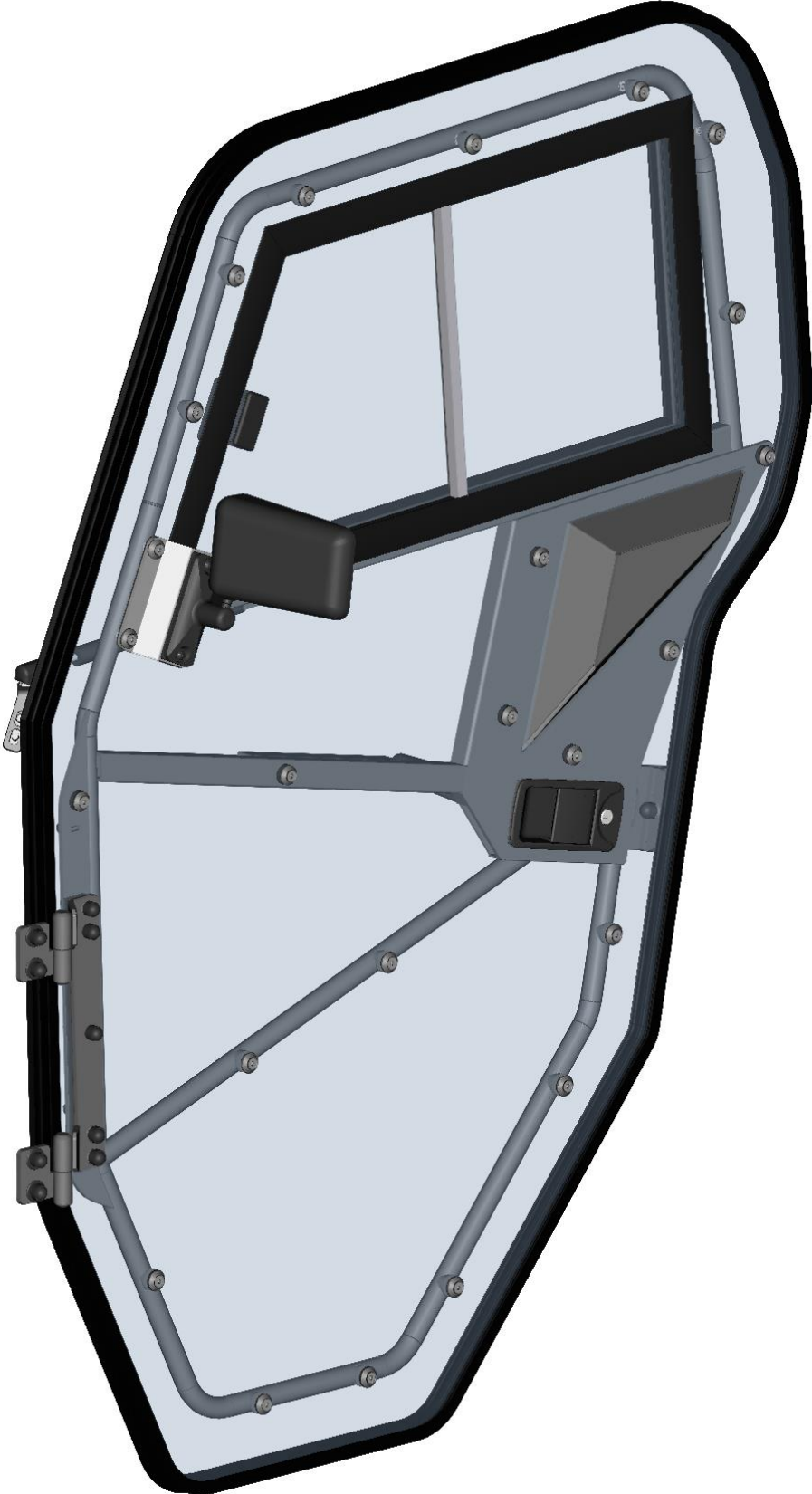
| ID | Catalogue no. | Description | Qty |
|----|-----------------|--------------------------|-----|
| 1 | 004856 | PLASTIC FRONT GLASS STOP | 1 |
| 2 | 004386 | SCREW M6x8 | 2 |
| 3 | 50S02U02-10-013 | FRONT GLASS STOP HOLDER | 1 |
| 4 | 004529 | SCREW M6x16 | 2 |
| 5 | 001426 | WASHER 6 | 2 |
| 6 | 001392 | SELF-LOCKING NUT M6 | 2 |
| 7 | 001348 | PLASTIC NUT COVER OK 10 | 2 |

FRONT BOTTOM LEDGE HOLDER ASSEMBLY



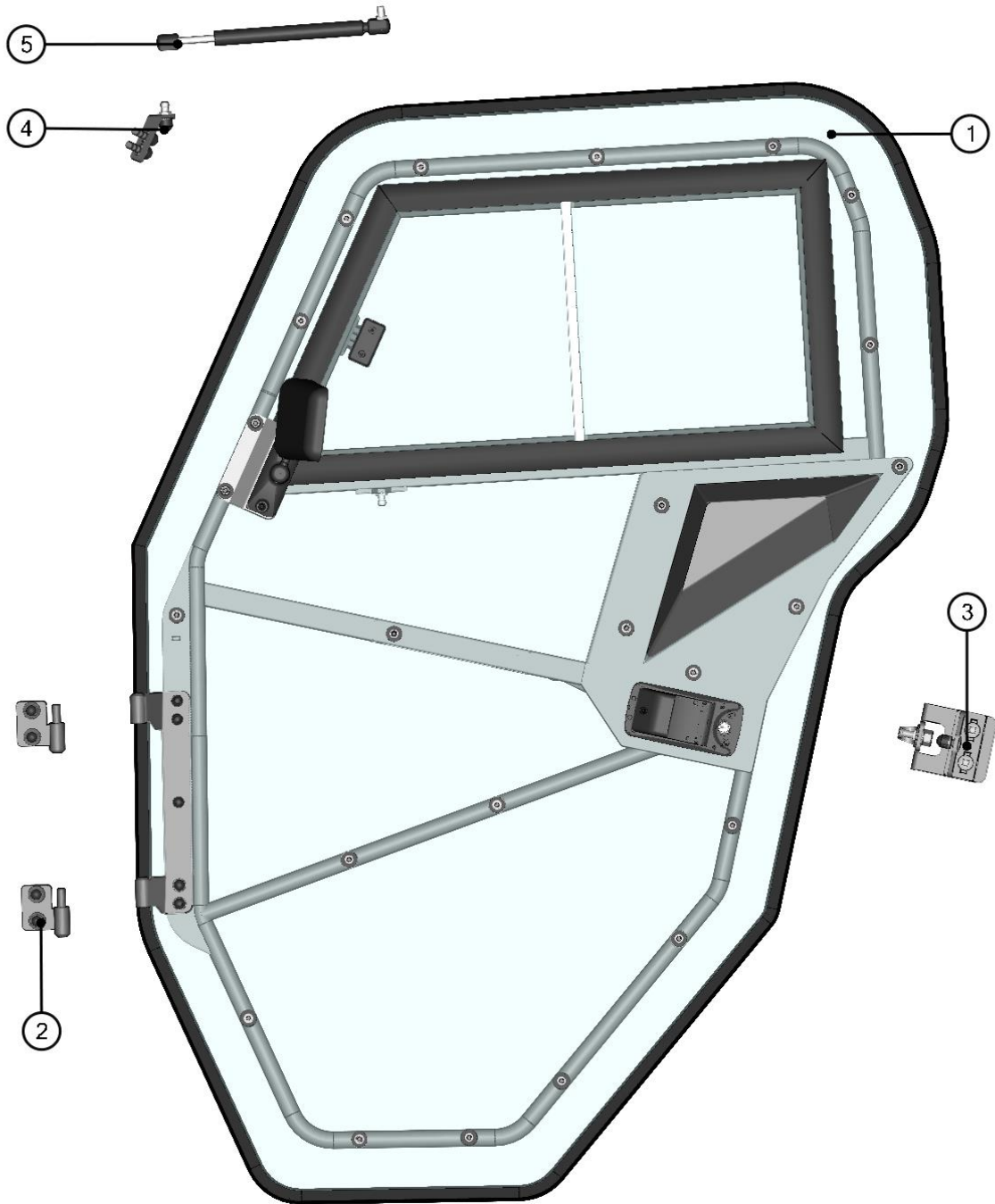
| ID | Catalogue no. | Description | Qty |
|----|-----------------|---------------------------|-----|
| 1 | 37S03U01-10-010 | FRONT BOTTOM LEDGE HOLDER | 1 |
| 2 | 001309 | PLASTIC NUT COVER OK 13 | 3 |
| 3 | 001411 | SCREW M8x30 | 2 |
| 4 | 001387 | WASHER 8 | 3 |
| 5 | 001388 | SELF-LOCKING NUT M8 | 1 |
| 6 | 002575 | SCREW M8x20 | 1 |

LEFT DOOR



30

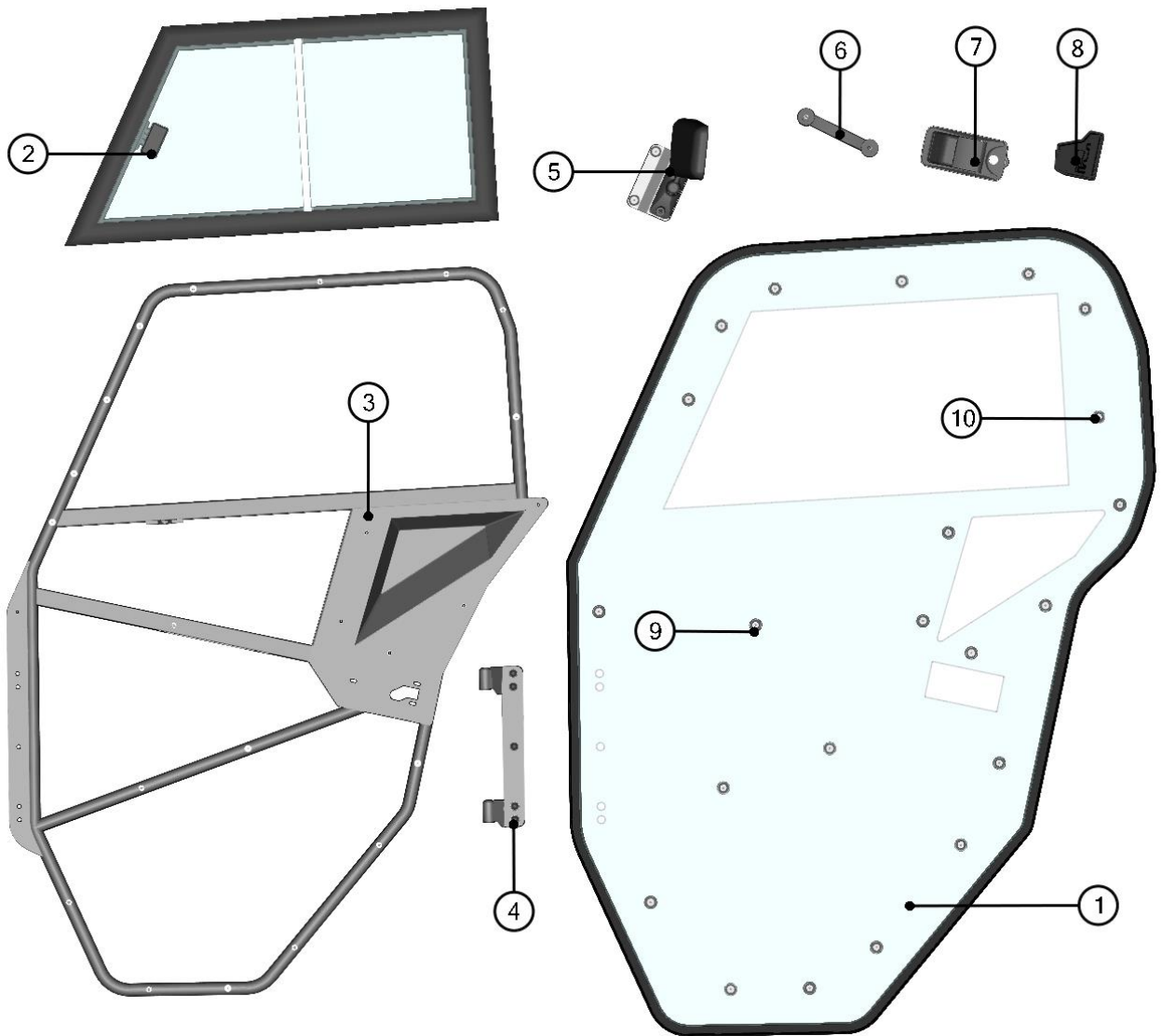
LEFT DOOR ASSEMBLIES



31

| ID | Catalogue no. | Description | Qty |
|----|-----------------|--------------------------------------|-----|
| 1 | 37S03U01-40M001 | LEFT DOOR PANEL ASSEMBLY | 1 |
| 2 | 37S03U01-40M007 | LEFT DOOR HINGE ASSEMBLY | 2 |
| 3 | 37S03U01-40M003 | DOOR STOP ASSEMBLY | 1 |
| 4 | 37S03U01-40M008 | LEFT DOOR GAS SPRING HOLDER ASSEMBLY | 1 |
| 5 | 000865 | DOOR GAS SPRING | 1 |

LEFT DOOR PANEL ASSEMBLY



32

| ID | Catalogue no. | Description | Qty |
|----|-----------------|--------------------------------------|-----|
| 1 | 37S03U01-40M004 | LEFT DOOR POLYCARBONATE WITH SEALING | 1 |
| 2 | 37S03U01-40M002 | LEFT WINDOW ASSEMBLY | 1 |
| 3 | 37S03U01-40W001 | LEFT DOOR FRAME WELDED | 1 |
| 4 | 37S03U01-40M005 | LEFT DOOR HINGES LEDGE ASSEMBLY | 1 |
| 5 | 00-109U-M003 | LEFT REAR WIEW MIRROR ASSEMBLY | 1 |
| 6 | 00-40M018 | DOOR HANDLE ASSEMBLY | 1 |
| 7 | 000841 | OUTER DOOR LOCK | 1 |
| 8 | 00-40M023 | LEFT INNER DOOR LOCK | 1 |
| 9 | 00-00M020 | FRAME FIXING ASSEMBLY | 7 |
| 10 | 00-00M019 | POLYCARBONATE FIXING ASSEMBLY | 15 |

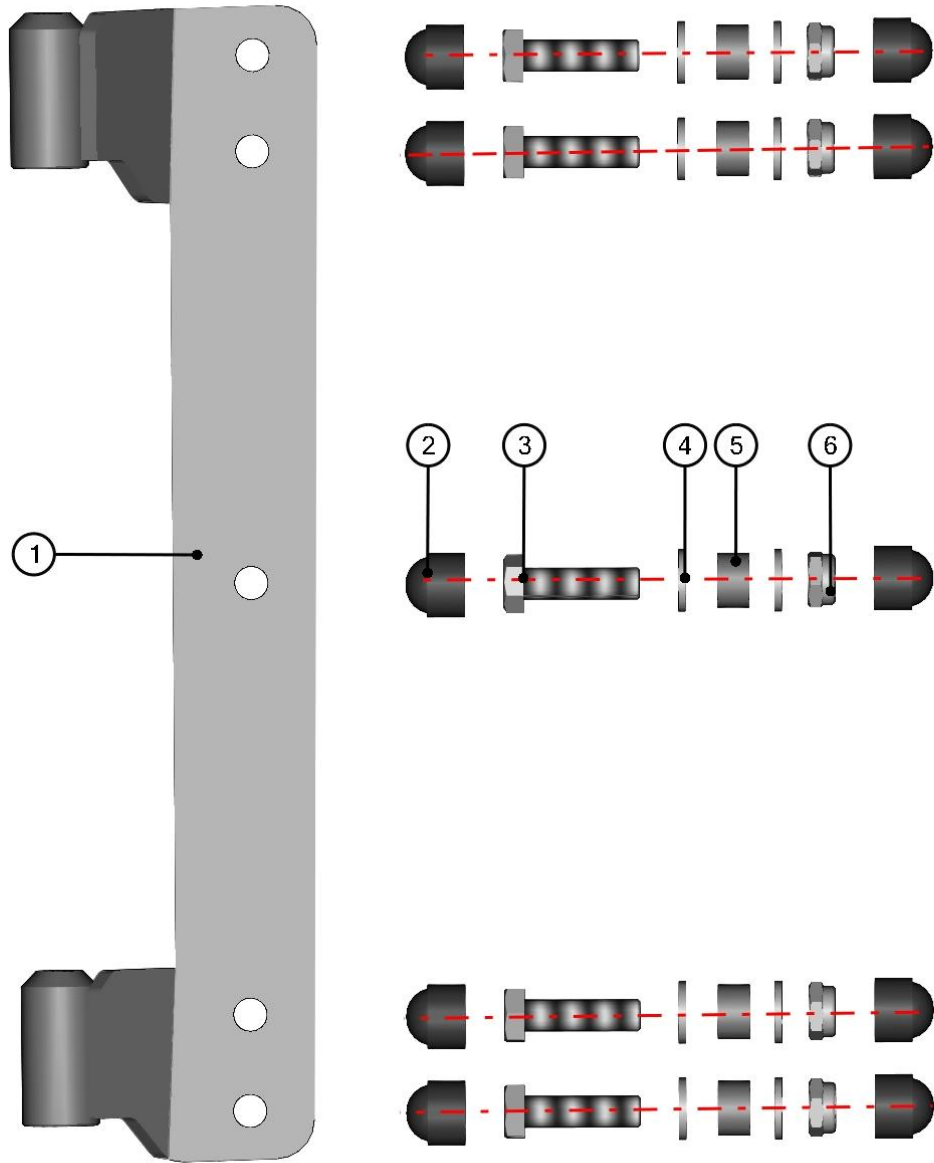
LEFT WINDOW ASSEMBLY



33

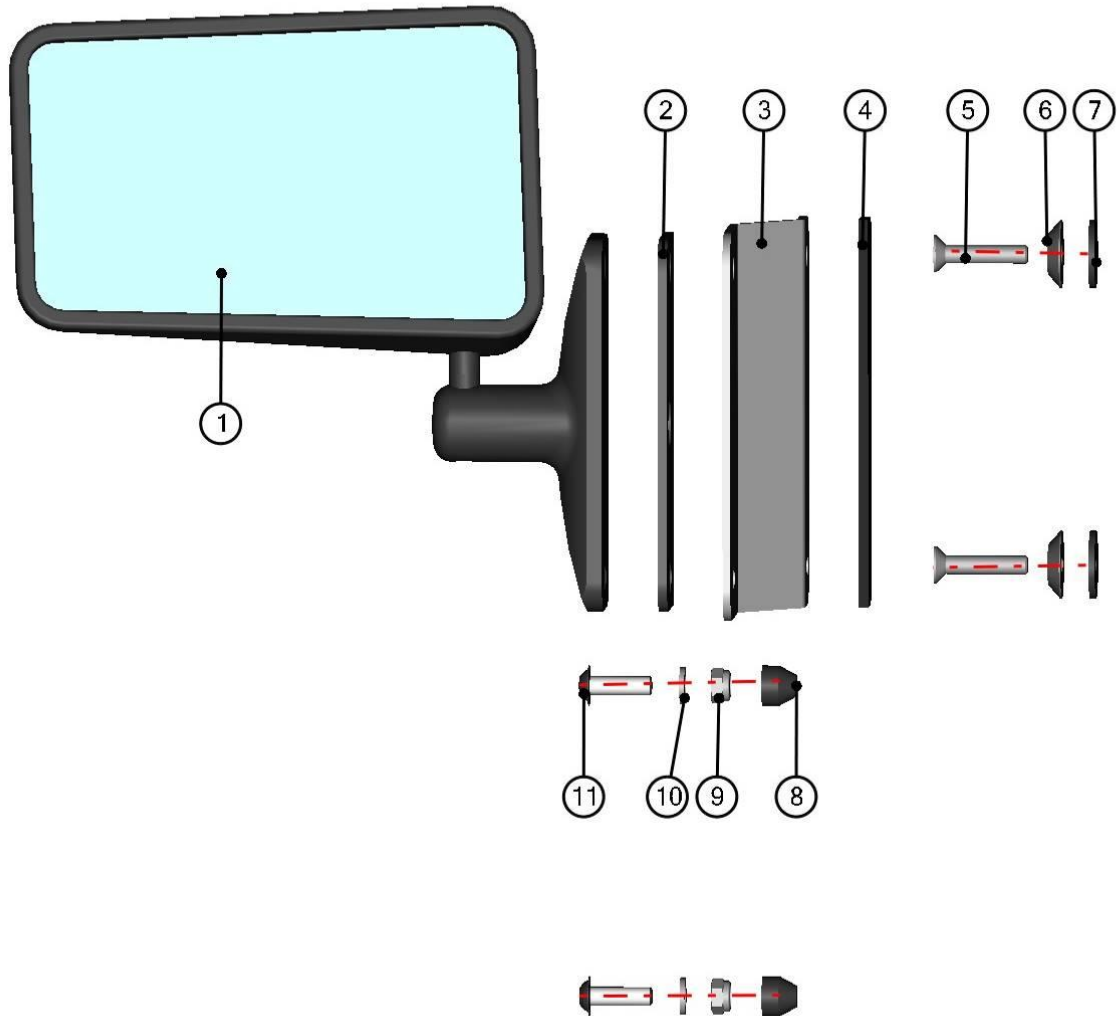
| ID | Catalogue no. | Description | Qty |
|----|-----------------|----------------------|-----|
| 1 | 37S03U01-40-003 | WINDOW GLASS SOLID | 1 |
| 2 | 37S03U01-40-002 | WINDOW GLASS MOVABLE | 1 |
| 3 | 37S03U01-40-004 | LEFT WINDOW FRAME | 1 |
| 4 | 00-40M008 | WINDOW LOCK | 1 |
| 5 | 001762 | WINDOW STOP | 1 |

LEFT DOOR HINGES LEDGE ASSEMBLY



| ID | Catalogue no. | Description | Qty |
|----|-----------------|-------------------------------|-----|
| 1 | 37S03U01-40W002 | LEFT DOOR HINGES LEDGE WELDED | 1 |
| 2 | 001309 | PLASTIC NUT COVER OK 13 | 10 |
| 3 | 001411 | SCREW M8x30 | 5 |
| 4 | 001387 | WASHER 8 | 10 |
| 5 | 005733 | DISTANCE TUBE | 5 |
| 6 | 001388 | SELF-LOCKING NUT M8 | 5 |

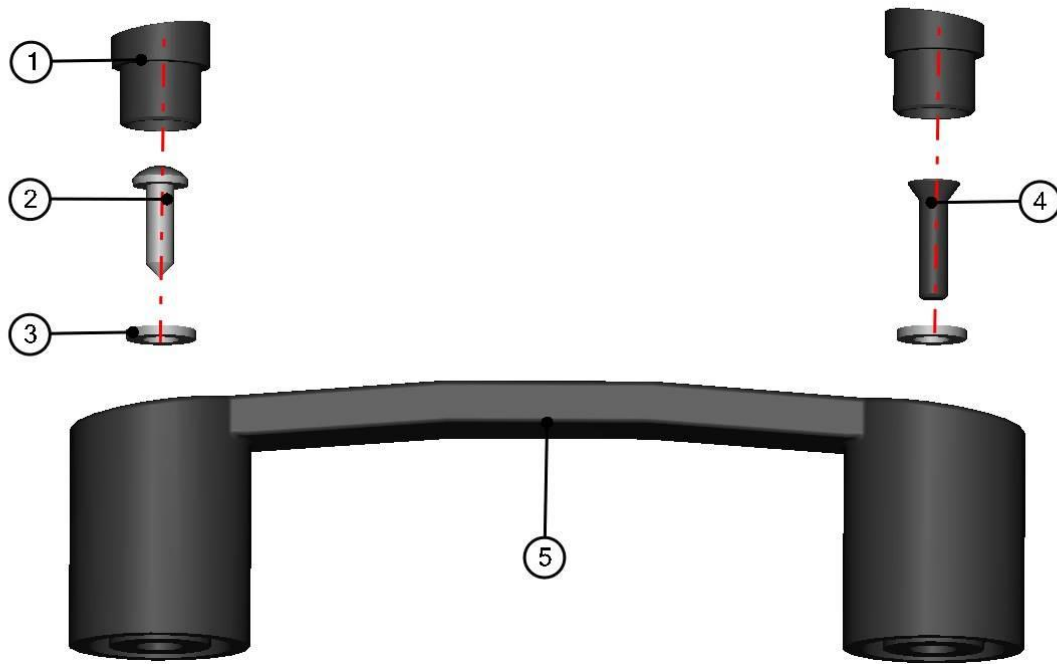
LEFT REAR VIEW MIRROR ASSEMBLY



35

| ID | Catalogue no. | Description | Qty |
|----|---------------------|--|-----|
| 1 | 002773 | LEFT REAR VIEW MIRROR | 1 |
| 2 | 00-109U-001 | REAR VIEW RUBBER WASHER | 1 |
| 3 | 00-109U-002 | REAR VIEW MIRROR HOLDER | 1 |
| 4 | 001420^00-109U-M004 | REAR VIEW MIRROR HOLDER RUBBER SEALING | 1 |
| 5 | 001701 | SCREW M6x30 | 2 |
| 6 | 001715 | PLASTIC WASHER | 2 |
| 7 | 001735 | RUBBER WASHER "EPDM" | 2 |
| 8 | 001348 | PLASTIC NUT COVER OK 10 | 2 |
| 9 | 001392 | SELF-LOCKING NUT M6 | 2 |
| 10 | 001426 | WASHER 6 | 2 |
| 11 | 001723 | SCREW M6x20 | 2 |

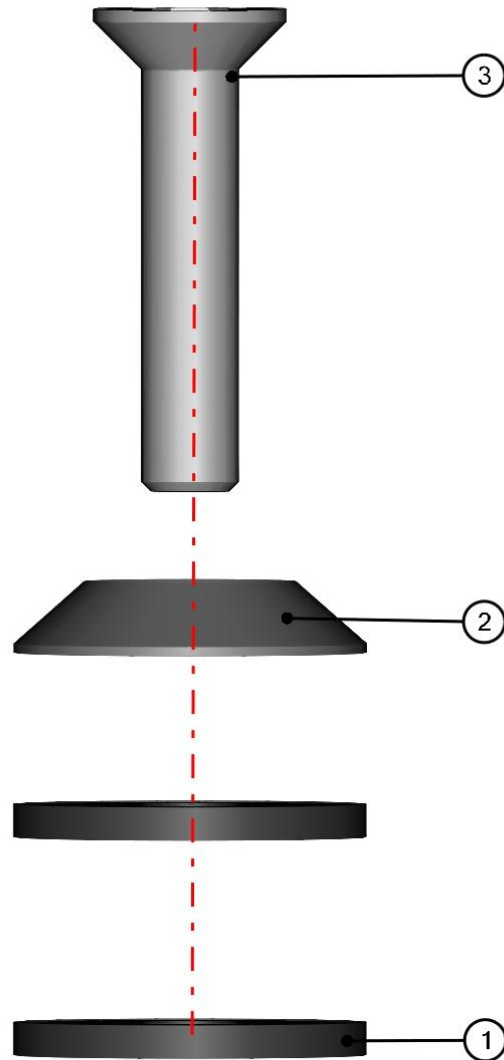
DOOR HANDLE ASSEMBLY



36

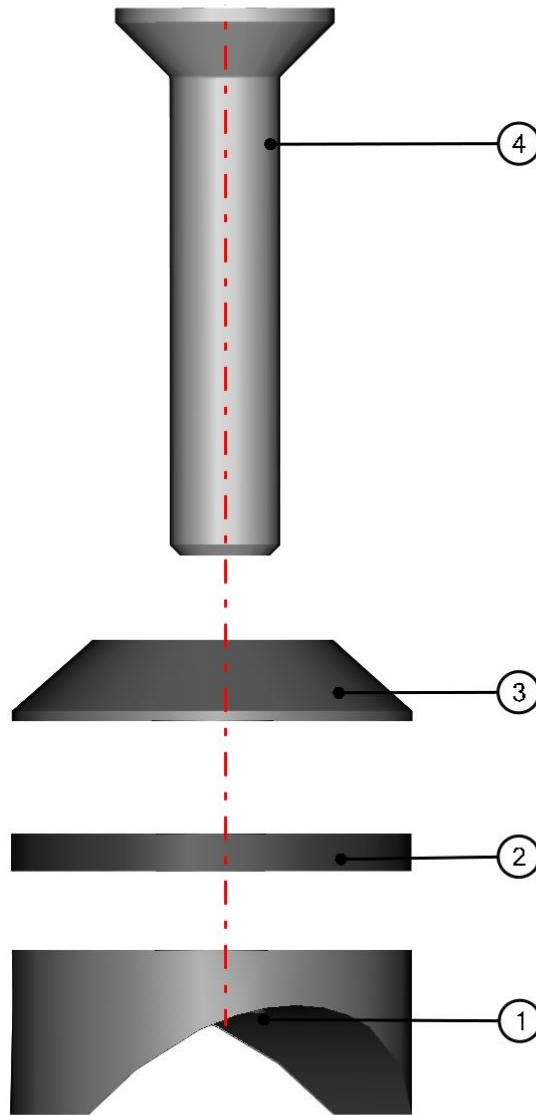
| ID | Catalogue no. | Description | Qty |
|----|---------------|-----------------------------|-----|
| 1 | 001706 | DOOR HANDLE SCREW COVER | 2 |
| 2 | 001391 | SELF-CUTTING SCREW 4,8 x 16 | 1 |
| 3 | 001426 | WASHER 6 | 2 |
| 4 | 004246 | SCREW M5x20 | 1 |
| 5 | 001703 | DOOR HANDLE | 1 |

FRAME FIXING ASSEMBLY



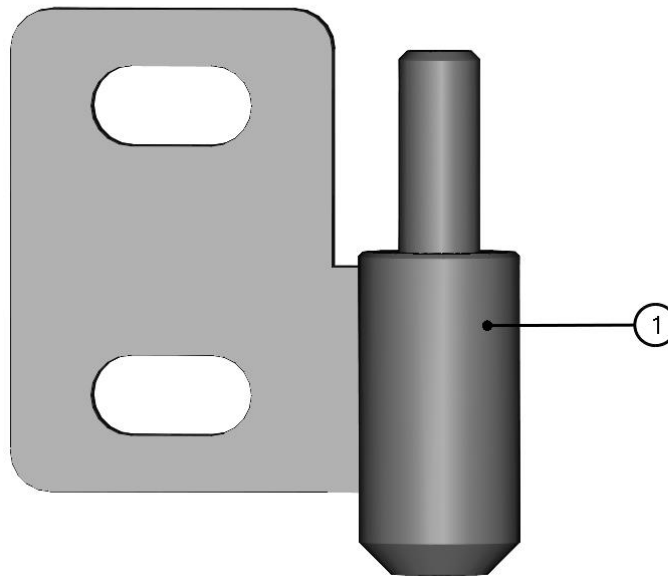
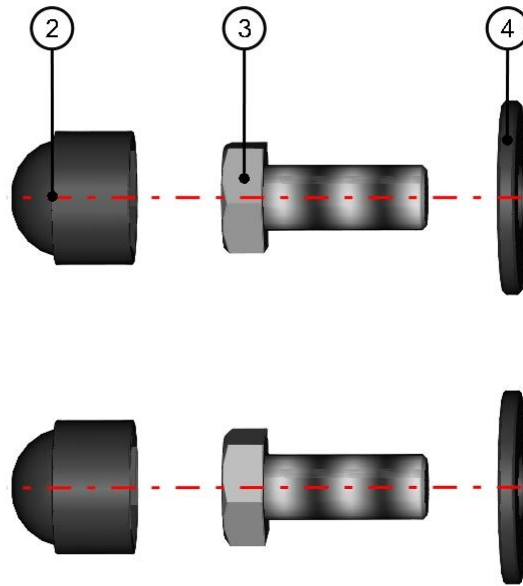
| ID | Catalogue no. | Description | Qty |
|----|---------------|----------------|-----|
| 1 | 001735 | RUBBER WASHER | 2 |
| 2 | 001715 | PLASTIC WASHER | 1 |
| 3 | 001701 | SCREW M6x30 | 1 |

POLYCARBONATE FIXING ASSEMBLY



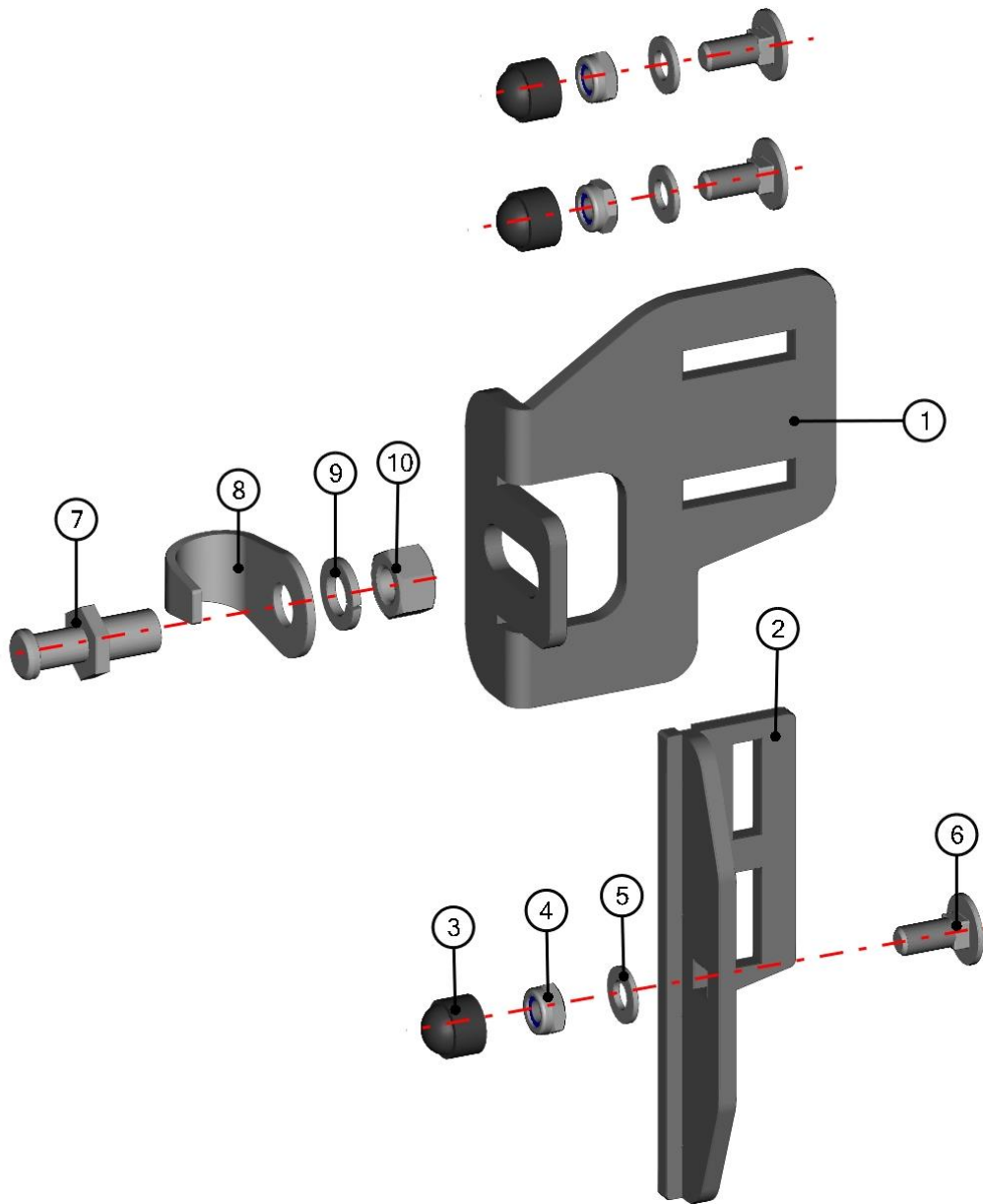
| ID | Catalogue no. | Description | Qty |
|----|---------------|----------------|-----|
| 1 | 001736 | SADDLE WASHER | 1 |
| 2 | 001735 | RUBBER WASHER | 1 |
| 3 | 001715 | PLASTIC WASHER | 1 |
| 4 | 001701 | SCREW M6x30 | 1 |

LEFT DOOR HINGE ASSEMBLY



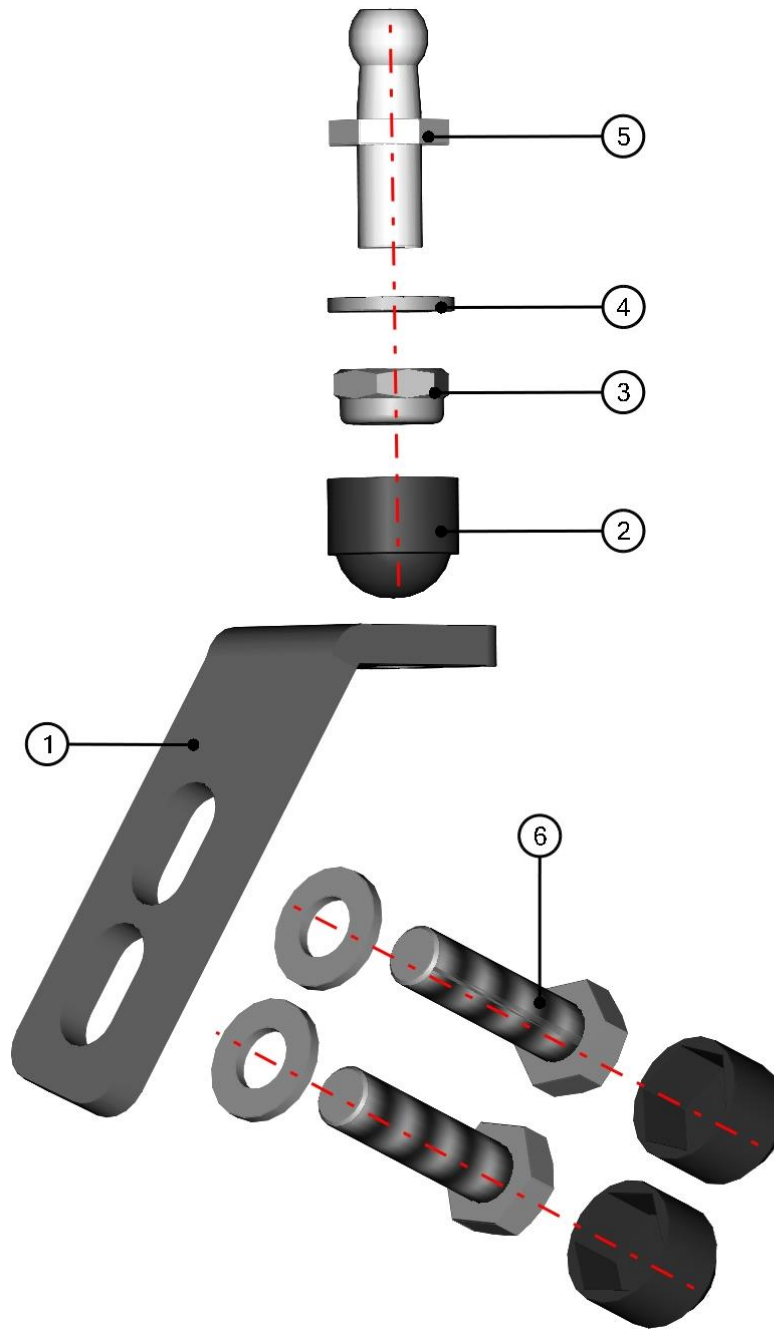
| ID | Catalogue no. | Description | Qty |
|----|-----------------|-------------------------|-----|
| 1 | 37S03U01-40W005 | LEFT DOOR HINGE WELDED | 1 |
| 2 | 001309 | PLASTIC NUT COVER OK 13 | 2 |
| 3 | 001437 | SCREW M8x20 | 2 |
| 4 | 003322 | RIVET WASHER 8 | 2 |

LEFT DOOR STOP ASSEMBLY



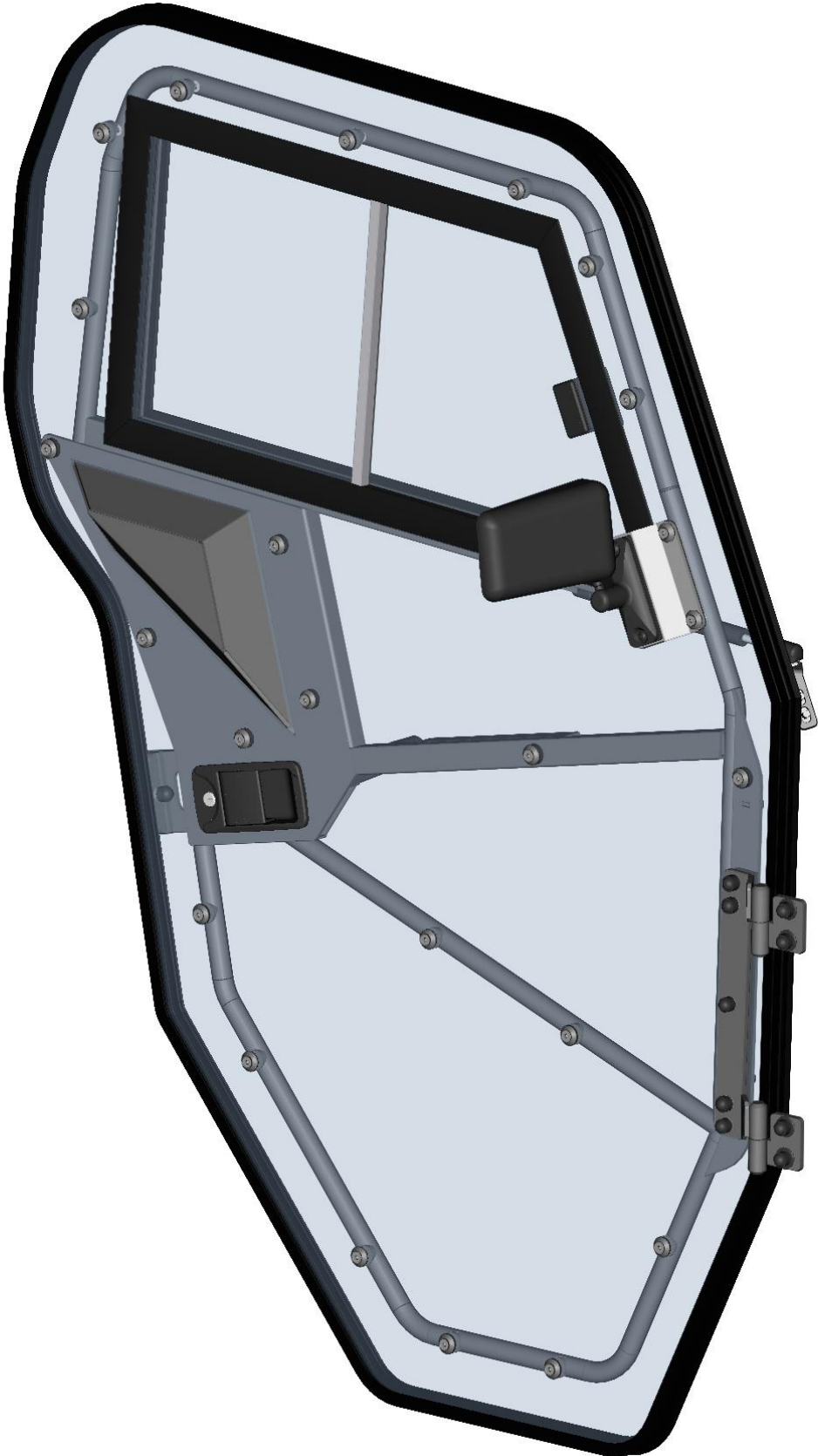
| ID | Catalogue no. | Description | Qty |
|----|-----------------|------------------------------|-----|
| 1 | 37S03U01-40-018 | LEFT DOOR STOP HOLDER | 1 |
| 2 | 37S03U01-40W004 | LEFT DOOR STOP HOLDER WELDED | 1 |
| 3 | 001309 | PLASTIC NUT COVER OK 13 | 3 |
| 4 | 001388 | SELF-LOCKING NUT M8 | 3 |
| 5 | 001387 | WASHER 8 | 3 |
| 6 | 002575 | SCREW M8x20 | 3 |
| 7 | 000854 | DOOR STOP PIN | 1 |
| 8 | 000855 | DOOR STOP HOOK | 1 |
| 9 | 000857 | DOOR STOP WASHER | 1 |
| 10 | 000856 | DOOR STOP NUT | 1 |

LEFT DOOR GAS SPRING HOLDER ASSEMBLY

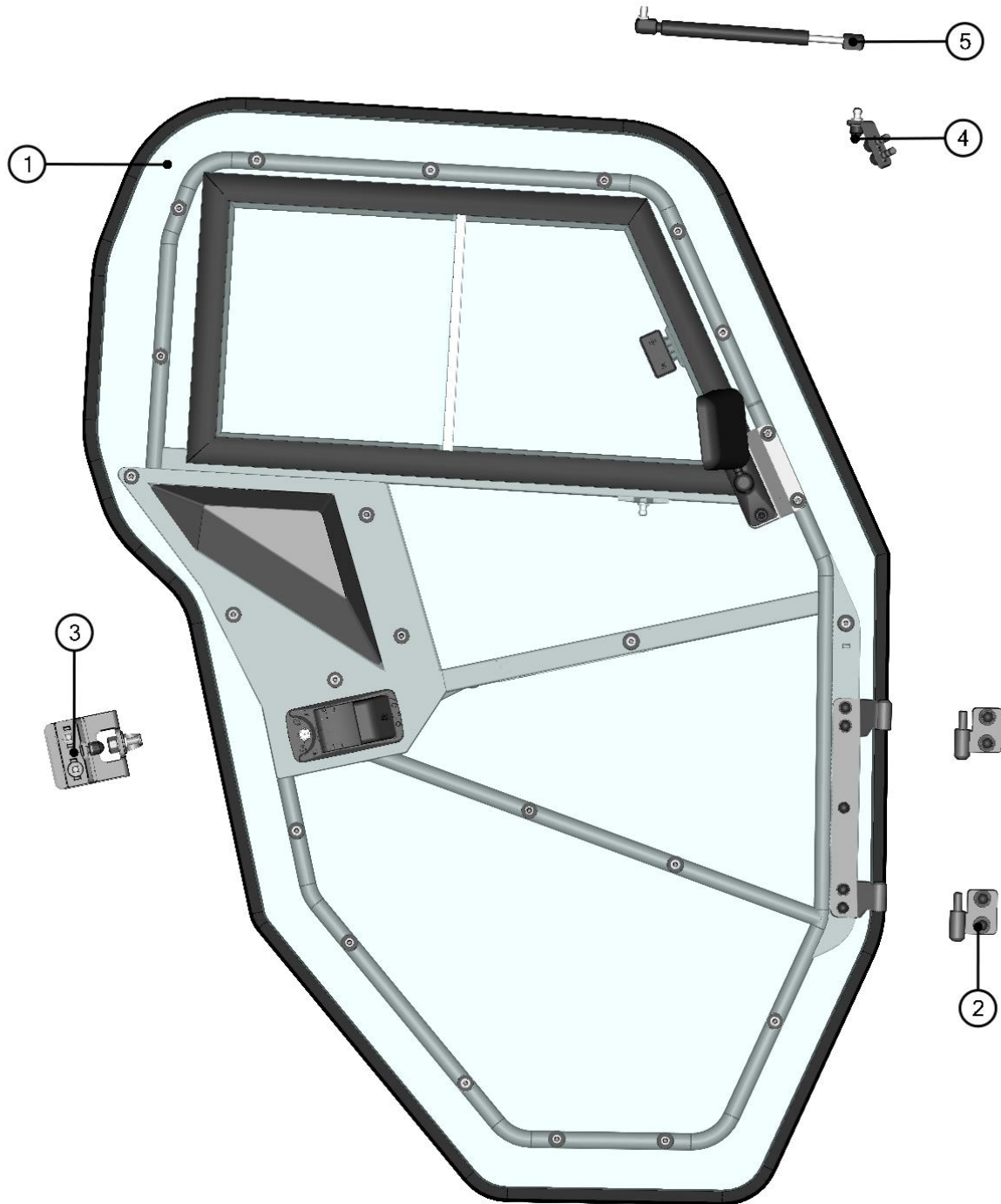


| ID | Catalogue no. | Description | Qty |
|----|-----------------|-----------------------------|-----|
| 1 | 37S03U01-40-026 | LEFT DOOR GAS SPRING HOLDER | 1 |
| 2 | 001309 | PLASTIC NUT COVER OK 13 | 3 |
| 3 | 001388 | SELF-LOCKING NUT M8 | 1 |
| 4 | 001387 | WASHER 8 | 3 |
| 5 | 001856 | GAS SPRING PIN | 1 |
| 6 | 001411 | SCREW M8x30 | 2 |

RIGHT DOOR



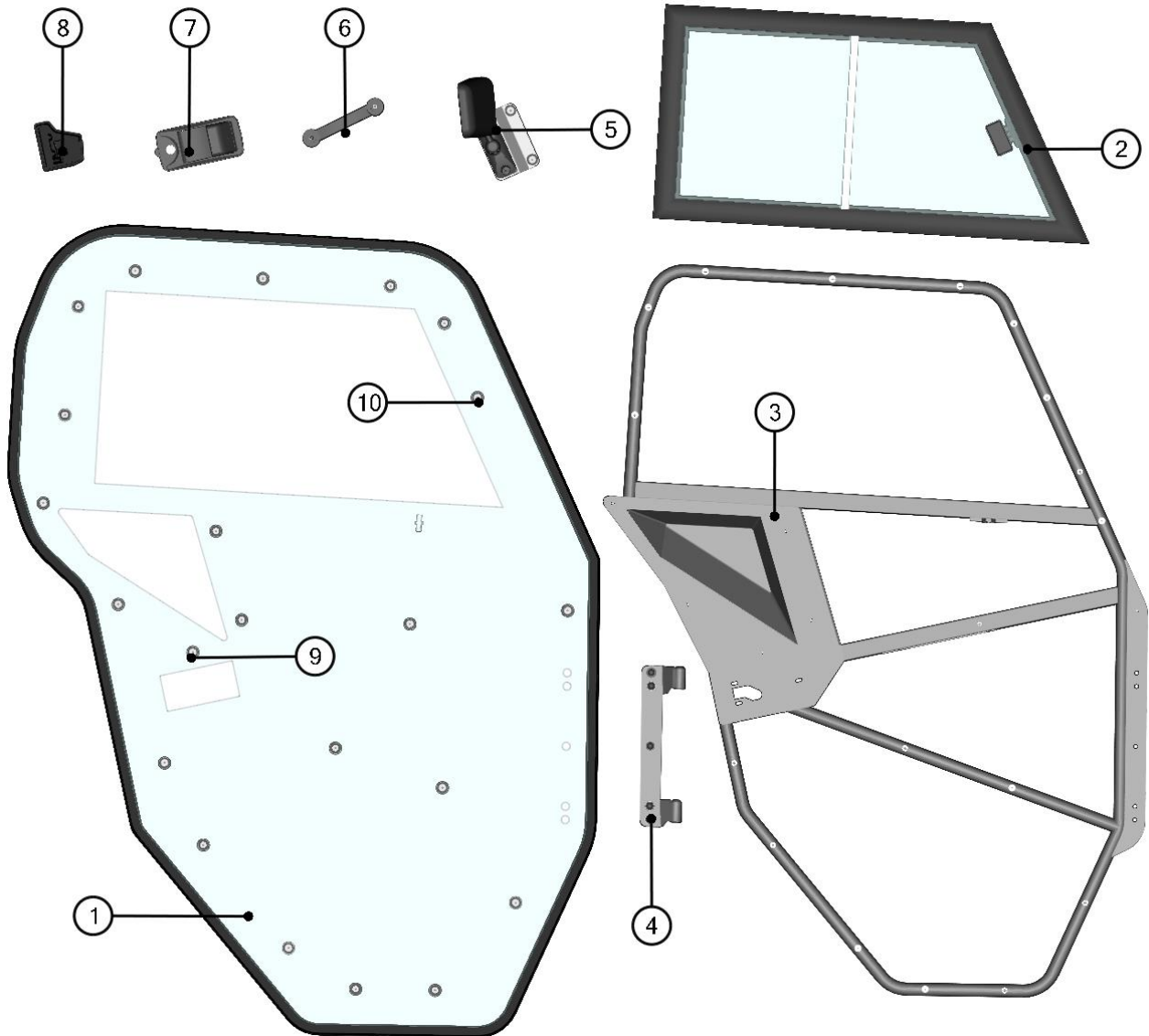
RIGHT DOOR ASSEMBLIES



43

| ID | Catalogue no. | Description | Qty |
|----|-----------------|---------------------------------------|-----|
| 1 | 37S03U01-50M001 | RIGHT DOOR PANEL ASSEMBLY | 1 |
| 2 | 37S03U01-50M007 | RIGHT DOOR HINGE ASSEMBLY | 2 |
| 3 | 37S03U01-40M003 | RIGHT DOOR STOP ASSEMBLY | 1 |
| 4 | 37S03U01-50M008 | RIGHT DOOR GAS SPRING HOLDER ASSEMBLY | 1 |
| 5 | 000865 | DOOR GAS SPRING | 1 |

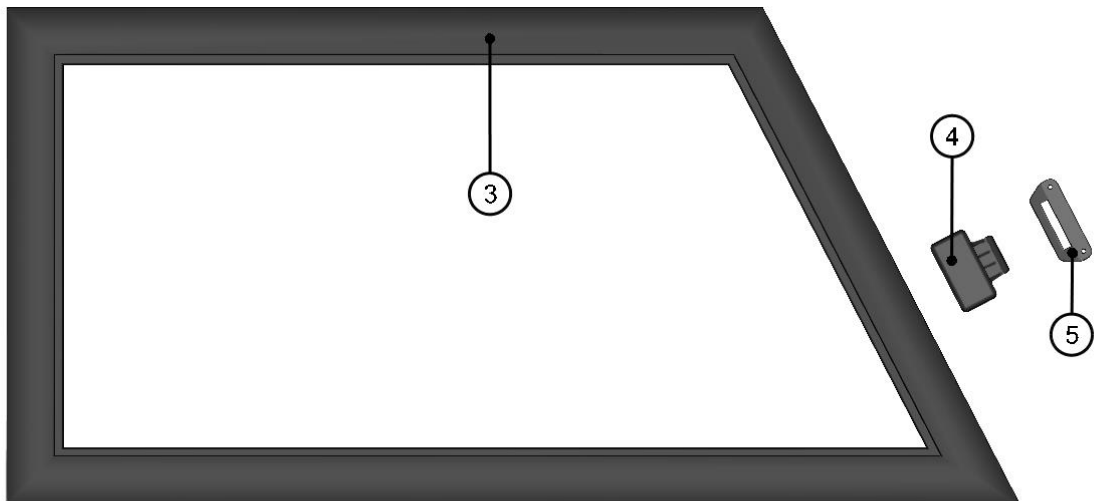
RIGHT DOOR PANEL ASSEMBLY



44

| ID | Catalogue no. | Description | Qty |
|----|-----------------|---------------------------------------|-----|
| 1 | 37S03U01-50M004 | RIGHT DOOR POLYCARBONATE WITH SEALING | 1 |
| 2 | 37S03U01-50M002 | RIGHT WINDOW ASSEMBLY | 1 |
| 3 | 37S03U01-50W001 | RIGHT DOOR FRAME WELDED | 1 |
| 4 | 37S03U01-50M005 | RIGHT DOOR HINGES LEDGE ASSEMBLY | 1 |
| 5 | 00-109U-M004 | RIGHT REAR VIEW MIRROR | 1 |
| 6 | 00-40M018 | DOOR HANDLE ASSEMBLY | 1 |
| 7 | 000841 | OUTER DOOR LOCK | 1 |
| 8 | 00-40M024 | RIGHT INNER DOOR LOCK | 1 |
| 9 | 00-00M020 | FRAME FIXING ASSEMBLY | 7 |
| 10 | 00-00M019 | POLYCARBONATE FIXING ASSEMBLY | 15 |

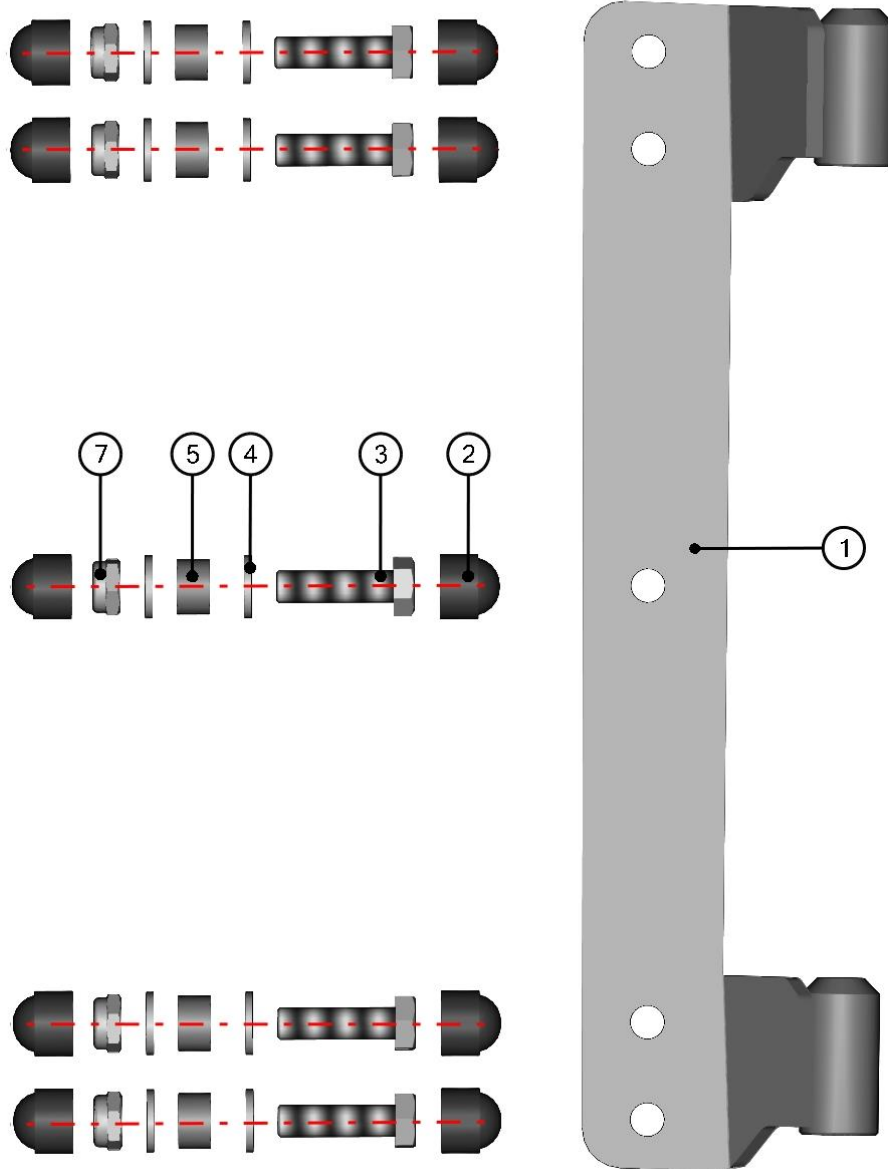
RIGHT WINDOW ASSEMBLY



45

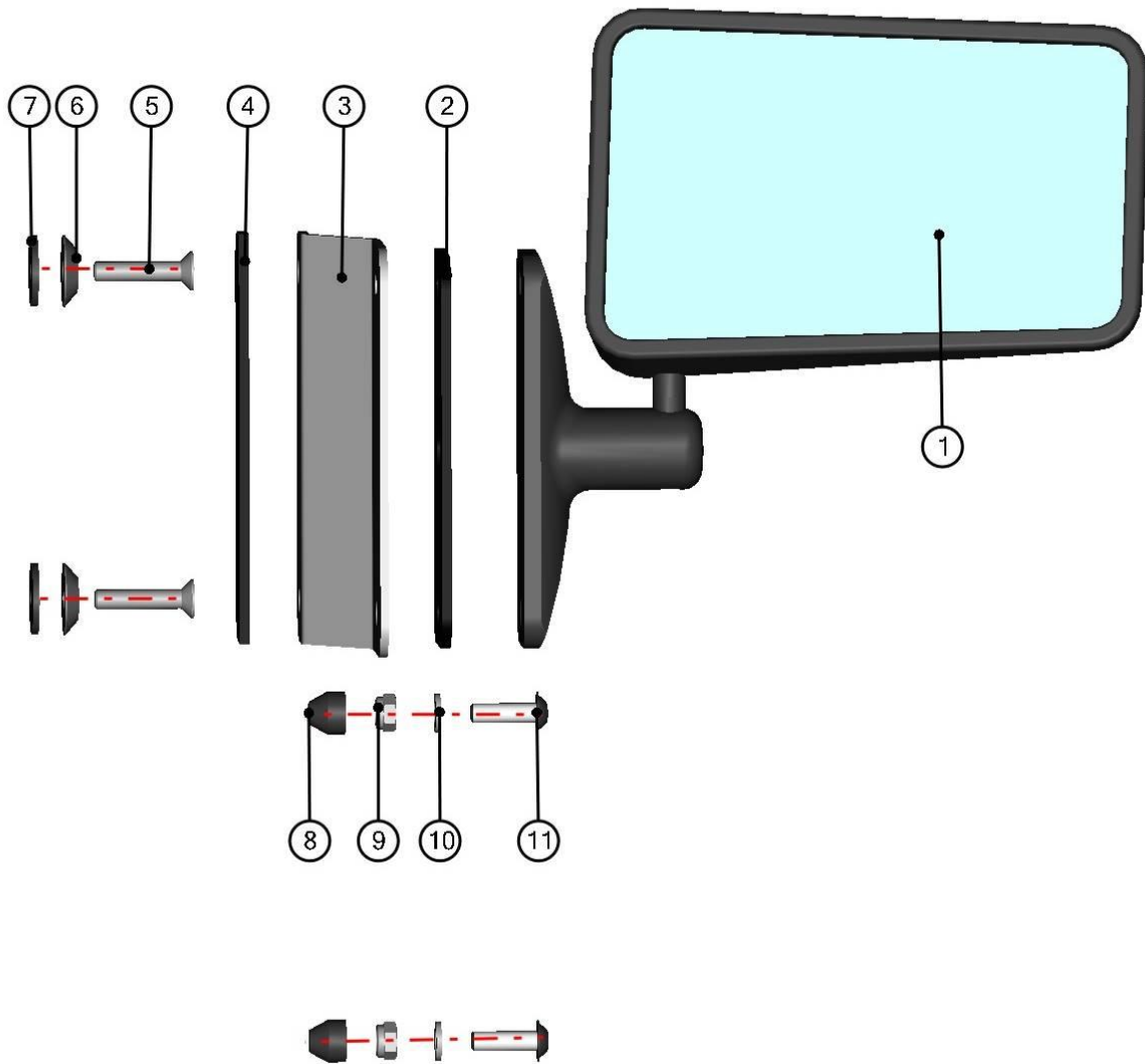
| ID | Catalogue no. | Description | Qty |
|----|-----------------|----------------------|-----|
| 1 | 37S03U01-40-003 | WINDOW GLASS SOLID | 1 |
| 2 | 37S03U01-40-002 | WINDOW GLASS MOVABLE | 1 |
| 3 | 37S03U01-50-004 | LEFT WIDOW FRAME | 1 |
| 4 | 00-40M008 | WINDOW LOCK | 1 |
| 5 | 001762 | WINDOW STOP | 1 |

RIGHT DOOR HINGES LEDGE ASSEMBLY



| ID | Catalogue no. | Description | Qty |
|----|-----------------|--------------------------------|-----|
| 1 | 37S03U01-50W002 | RIGHT DOOR HINGES LEDGE WELDED | 1 |
| 2 | 001309 | PLASTIC NUT COVER OK 13 | 10 |
| 3 | 001411 | SCREW M8x30 | 5 |
| 4 | 001387 | WASHER 8 | 10 |
| 5 | 005733 | DISTANCE TUBE | 5 |
| 7 | 001388 | SELF-LOCKING NUT M8 | 5 |

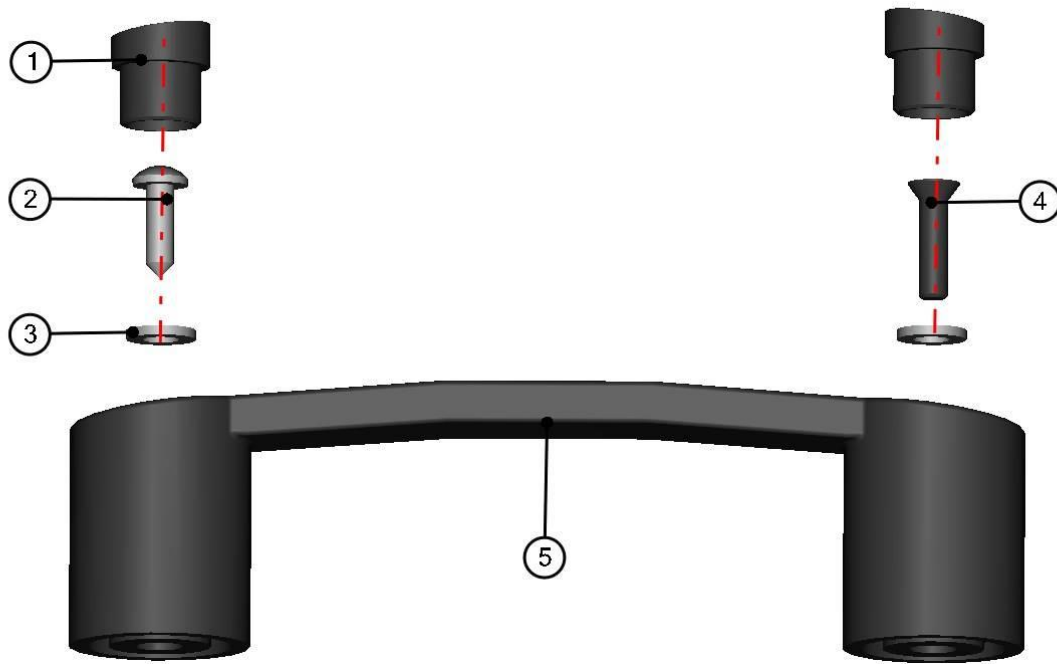
RIGHT REAR VIEW MIRROR ASSEMBLY



47

| ID | Catalogue no. | Description | Qty |
|----|---------------------|--|-----|
| 1 | 002774 | RIGHT REAR VIEW MIRROR | 1 |
| 2 | 00-109U-001 | REAR VIEW MIRROR RUBBER WASHER | 1 |
| 3 | 00-109U-002 | REAR VIEW MIRROR HOLDER | 1 |
| 4 | 001420^00-109U-M004 | REAR VIEW MIRROR HOLDER RUBBER SEALING | 1 |
| 5 | 001701 | SCREW M6x30 | 2 |
| 6 | 001715 | PLASTIC WASHER | 2 |
| 7 | 001735 | RUBBER WASHER "EPDM" | 2 |
| 8 | 001348 | PLASTIC NUT COVER OK 10 | 2 |
| 9 | 001392 | SELF-LOCKING NUT M6 | 2 |
| 10 | 001426 | WASHER 6 | 2 |
| 11 | 001723 | SCREW M6x20 | 2 |

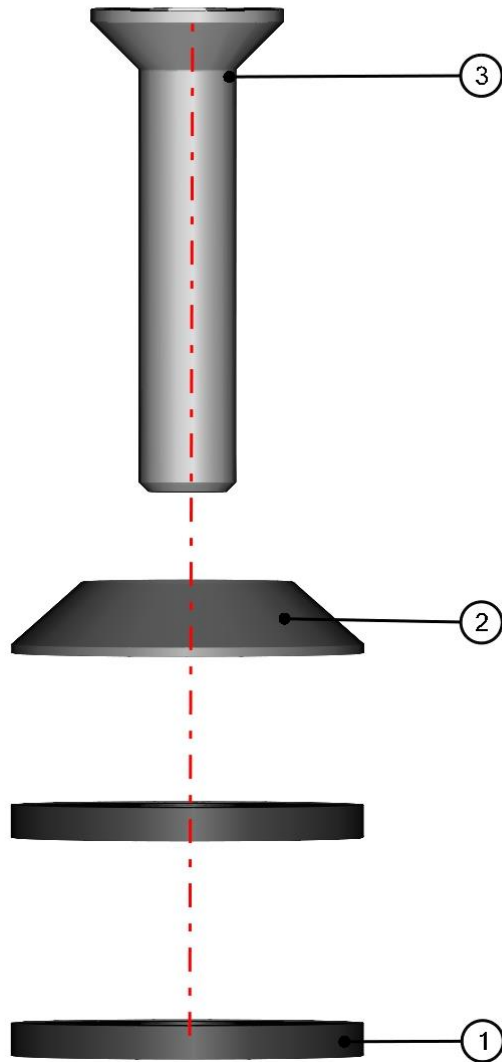
DOOR HANDLE ASSEMBLY



48

| ID | Catalogue no. | Description | Qty |
|----|---------------|-----------------------------|-----|
| 1 | 001706 | DOOR HANDLE SCREW COVER | 2 |
| 2 | 001391 | SELF-CUTTING SCREW 4,8 x 16 | 1 |
| 3 | 001426 | WASHER 6 | 2 |
| 4 | 004246 | SCREW M5x20 | 1 |
| 5 | 001703 | DOOR HANDLE | 1 |

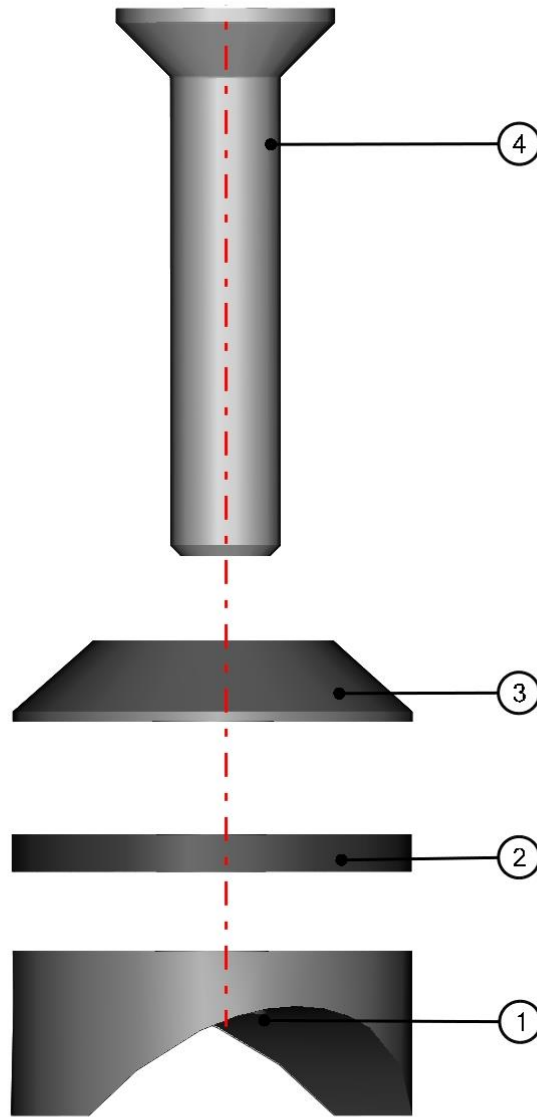
FRAME FIXING ASSEMBLY



49

| ID | Catalogue no. | Description | Qty |
|----|---------------|----------------|-----|
| 1 | 001735 | RUBBER WASHER | 2 |
| 2 | 001715 | PLASTIC WASHER | 1 |
| 3 | 001701 | SCREW M6x30 | 1 |

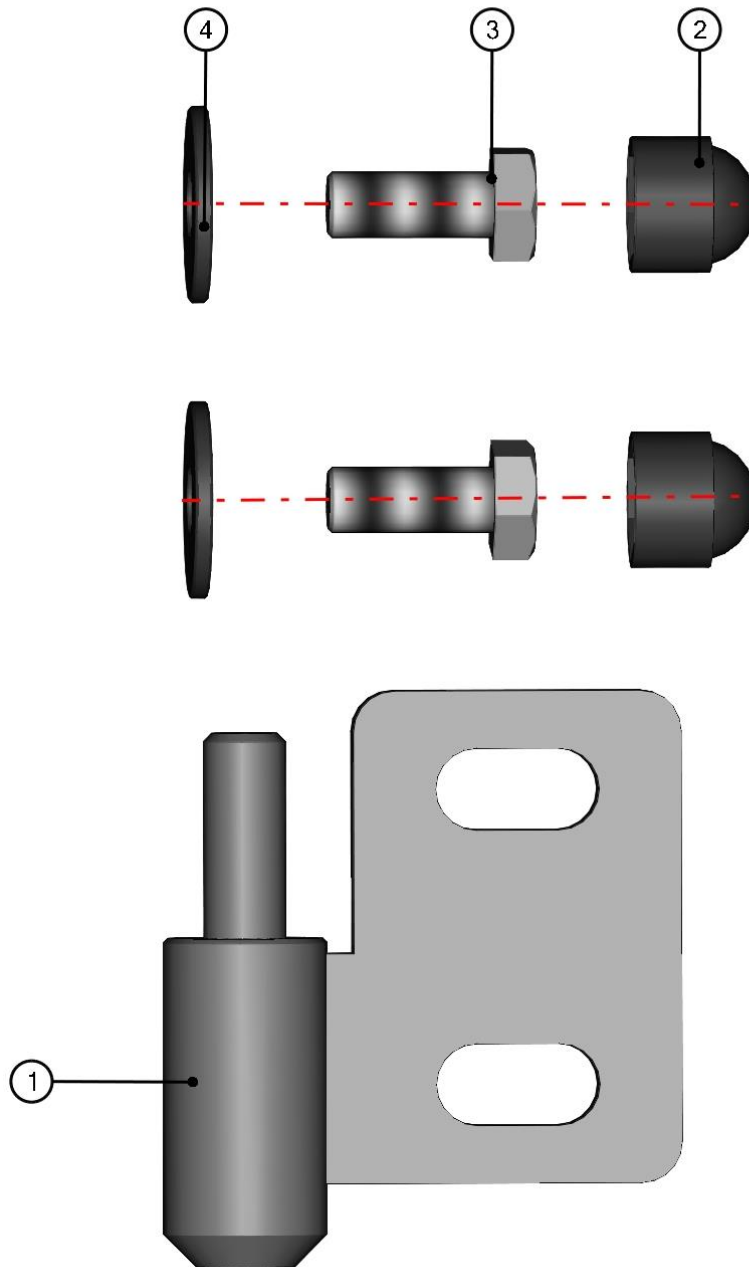
POLYCARBONATE FIXING ASSEMBLY



50

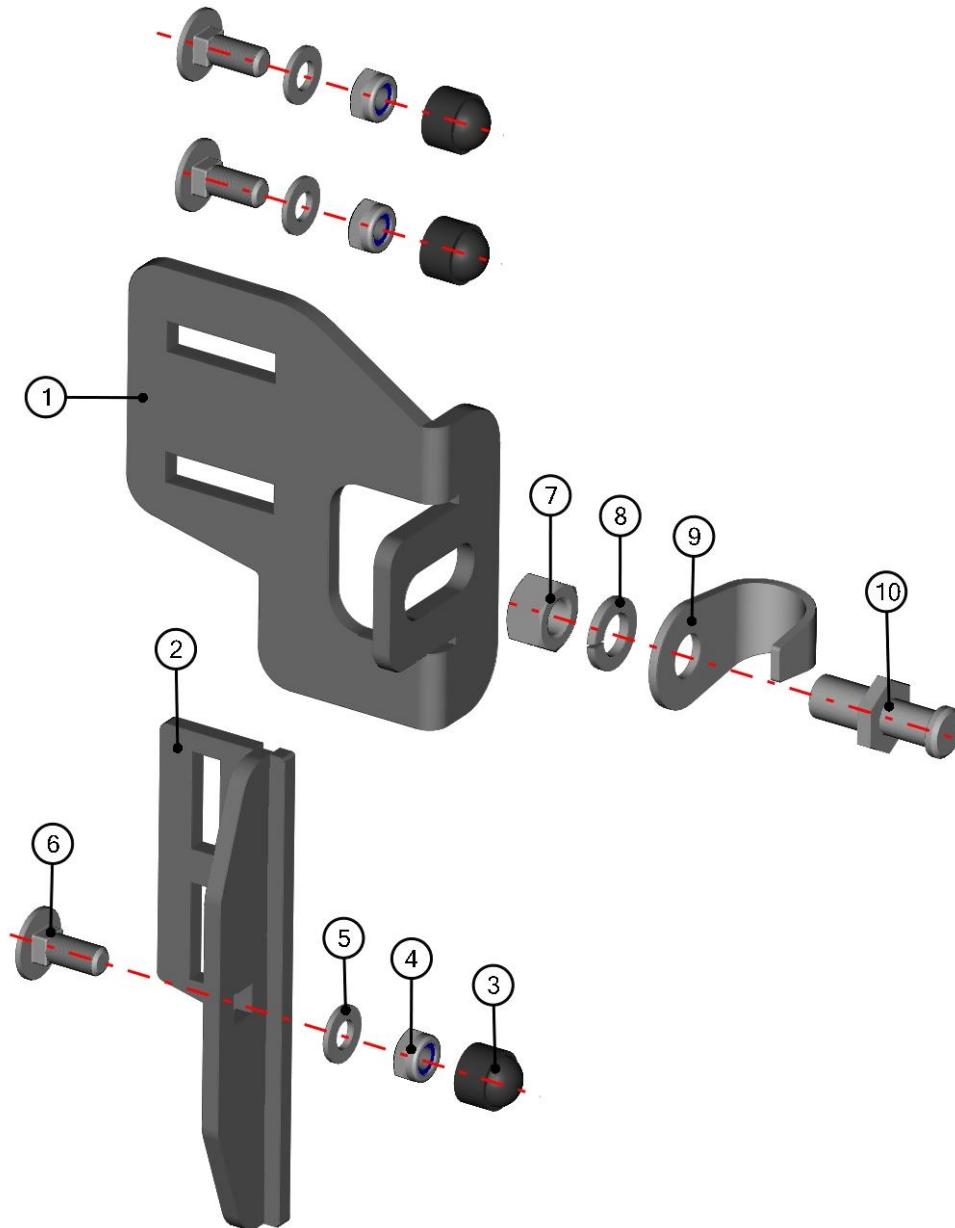
| ID | Catalogue no. | Description | Qty |
|----|---------------|----------------|-----|
| 1 | 001736 | SADDLE WASHER | 1 |
| 2 | 001735 | RUBBER WASHER | 1 |
| 3 | 001715 | PLASTIC WASHER | 1 |
| 4 | 001701 | SCREW M6x30 | 1 |

RIGHT DOOR HINGE ASSEMBLY



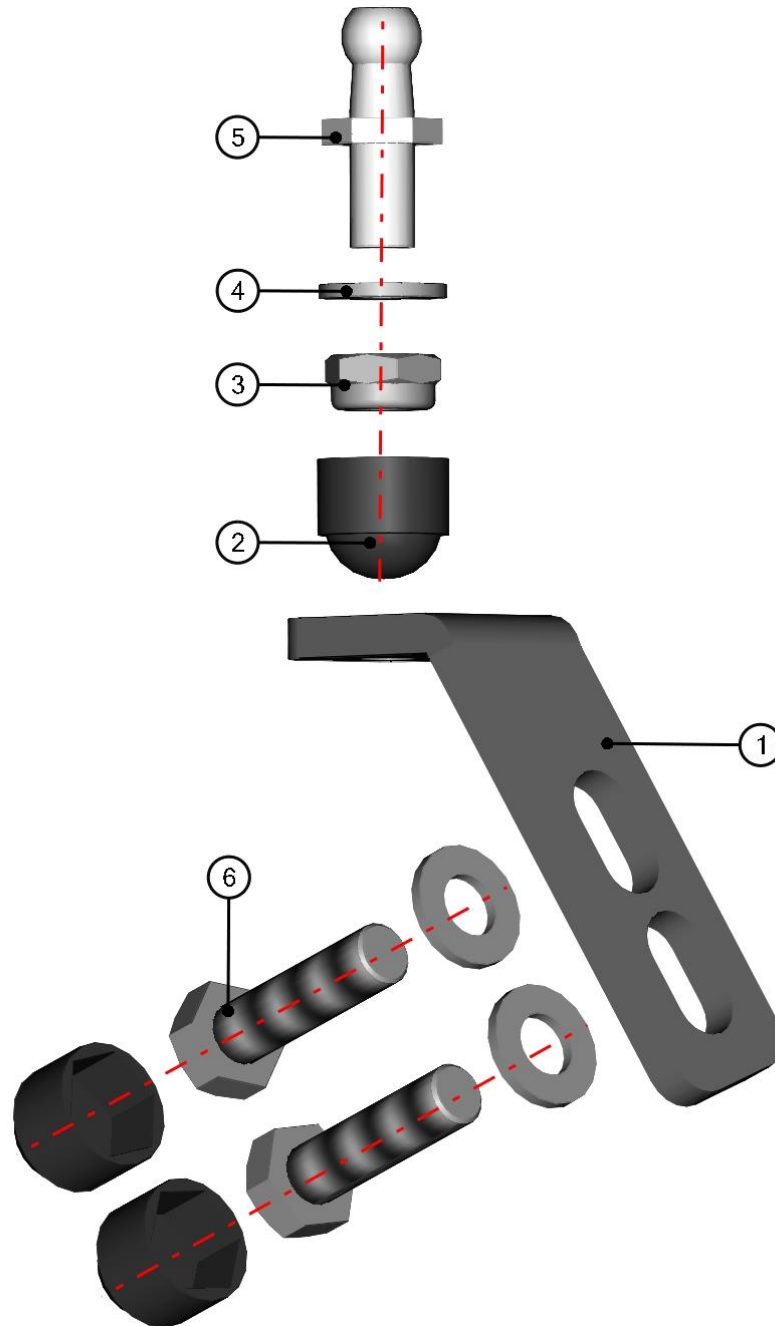
| ID | Catalogue no. | Description | Qty |
|----|-----------------|-------------------------|-----|
| 1 | 37S03U01-50W005 | RIGHT DOOR HINGE WELDED | 1 |
| 2 | 001309 | PLASTIC NUT COVER OK 13 | 2 |
| 3 | 001437 | SCREW M8x20 | 2 |
| 4 | 003322 | RIVER WASHER 8 | 2 |

RIGHT DOOR STOP ASSEMBLY



| ID | Catalogue no. | Description | Qty |
|----|-----------------|-------------------------------|-----|
| 1 | 37S03U01-50-018 | RIGHT DOOR STOP HOLDER | 1 |
| 2 | 37S03U01-50W004 | RIGHT DOOR STOP HOLDER WELDED | 1 |
| 3 | 001309 | PLASTIC NUT COVER OK 13 | 3 |
| 4 | 001388 | SELF-LOCKING NUT M8 | 3 |
| 5 | 001387 | WASHER 8 | 3 |
| 6 | 002575 | SCREW M8x20 | 3 |
| 7 | 000854 | DOOR STOP PIN | 1 |
| 8 | 000855 | DOOR STOP HOOK | 1 |
| 9 | 000857 | DOOR STOP WASHER | 1 |
| 10 | 000856 | DOOR STOP NUT | 1 |





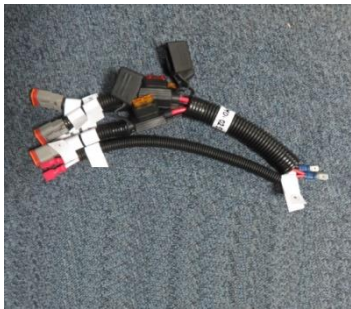




RIGHT DOOR GAS SPRING HOLDER ASSEMBLY


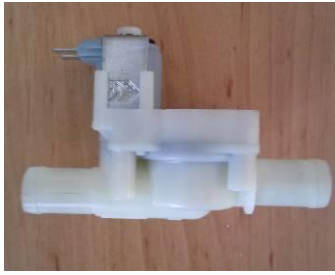




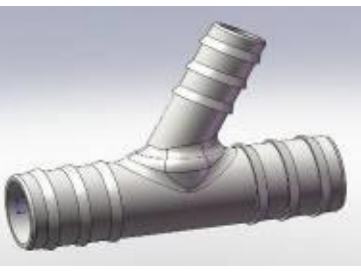

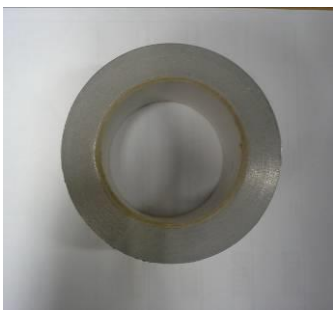


| ID | Catalogue no. | Description | Qty |
|----|-----------------|------------------------------|-----|
| 1 | 37S03U01-50-026 | RIGHT DOOR GAS SPRING HOLDER | 1 |
| 2 | 001309 | PLASTIC NUT COVER OK 13 | 3 |
| 3 | 001388 | SELF-LOCKING NUT M8 | 1 |
| 4 | 001387 | WASHER 8 | 3 |
| 5 | 001856 | GAS SPRING PIN | 1 |
| 6 | 001411 | SCREW M8x30 | 2 |

ELECTROINSTALLATION

| Position | Catalogue no. | Description | Qty |
|----------|-----------------|--------------------------------------|-----|
| 1 | 004322 | SWITCH WIPER /WASHER /OFF | 1 |
| 2 | 000885 | WASHER TANK | 1 |
| 3 | 001576 | WASHER MOTOR | 1 |
| 4 | 41S04U04-03M001 | WASHER HARNESS | 1 |
| 5 | 50S02U01-03M001 | WASHER HARNESS | 1 |
| 6 | 005611 | WIPER MOTOR 12V | 1 |
| 7 | 41S04U04-01M003 | WIPER HARNESS | 1 |
| 8 | 41S04U04-01M001 | WIPER MOTOR + CONTROL PANEL ASSEMBLY | 1 |
| 9 | 58S03U01-02M008 | HEATER HARNESS | 1 |
| 10 | 002471 | WATER PUMP | 1 |
| 11 | 002386 | ELECTROMAGNETIC VALVE | 1 |
| 12 | 002524 | TIGHTENING STRAP 16-27 MM | 6 |
| 13 | 002491 | AIR VENT VALVE | 1 |
| 14 | 001368 | TIGHTENING STRAP 40-60 MM | 4 |
| 15 | 002053 | TIGHTENING STRAP 25-40 MM | 6 |
| 16 | 002502 | HEATER TUBE "Y" | 2 |
| 17 | 002391 | VALVE SWITCH | 1 |
| 18 | 002705 | AL TAPE | 1 |
| 19 | 002702 | VENTILATOR SWITCH | 1 |
| 20 | 58S03U01-02M008 | HEATER HARNESS | 1 |
| 21 | 005879 | HEATER | 1 |
| 22 | 002795 | AIR HOSE | 1 |
| 23 | 000896 | WATER HOSE | 1 |

| | | |
|---|--|---|
|  |  |  |
| <p>Position : 1 Catalogue no.: 004322</p> | <p>Position : 2 Catalogue no.: 000885</p> | <p>Position : 3 Catalogue no.: 001576</p> |
|  |  |  |
| <p>Position : 4 Catalogue no.: 41S04U04-03M001</p> | <p>Position : 5 Catalogue no.: 006123</p> | <p>Position : 6 Catalogue no.: 005611</p> |
|  |  |  |
| <p>Position : 7 Catalogue no.: 50S02U02-01M001</p> | <p>Position : 8 Catalogue no.: 41S04U04-01M001</p> | <p>Position : 9 Catalogue no.: 58S03U01-02M008</p> |

| | | |
|---|---|---|
|  |  |  |
| <p>Position : 10 Catalogue no.: 002471</p> | <p>Position : 11 Catalogue no.: 002386</p> | <p>Position : 12 Catalogue no.: 002524</p> |
|  |  |  |
| <p>Position : 13 Catalogue no.: 002491</p> | <p>Position : 14 Catalogue no.: 001368</p> | <p>Position : 15 Catalogue no.: 002643</p> |
|  |  |  |
| <p>Position : 16 Catalogue no.: 002502</p> | <p>Position : 17 Catalogue no.: 002391</p> | <p>Position : 18 Catalogue no.: 002705</p> |



Position : 19

Position : 20

Position : 21

Catalogue no.: 002702

Catalogue no.: 58S03U01-02M008

Catalogue no.: 005879



Position : 22

Position : 23

Catalogue no.: 002795

Catalogue no.: 000896