

# *HardCabs*

*SPARE - PARTS CATALOG*

## **ARCTIC CAT**

**PROWLER PRO CREW EPS (XT, -LTD)**

**UTV TRACKER OFFROAD - 800**

**SX(LE) CREW**

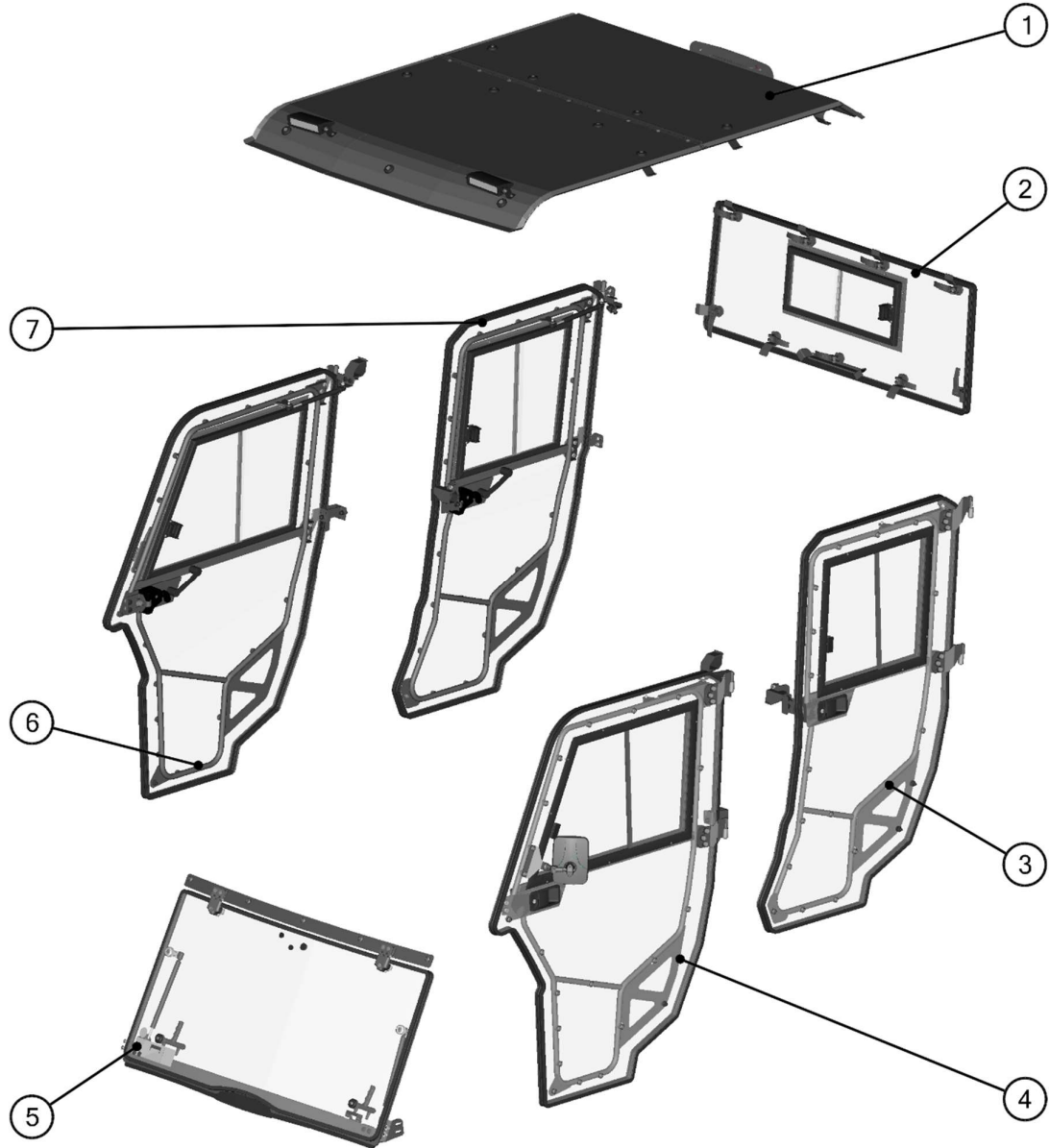


CAB PREVIEW



2

**ALL PANELS**

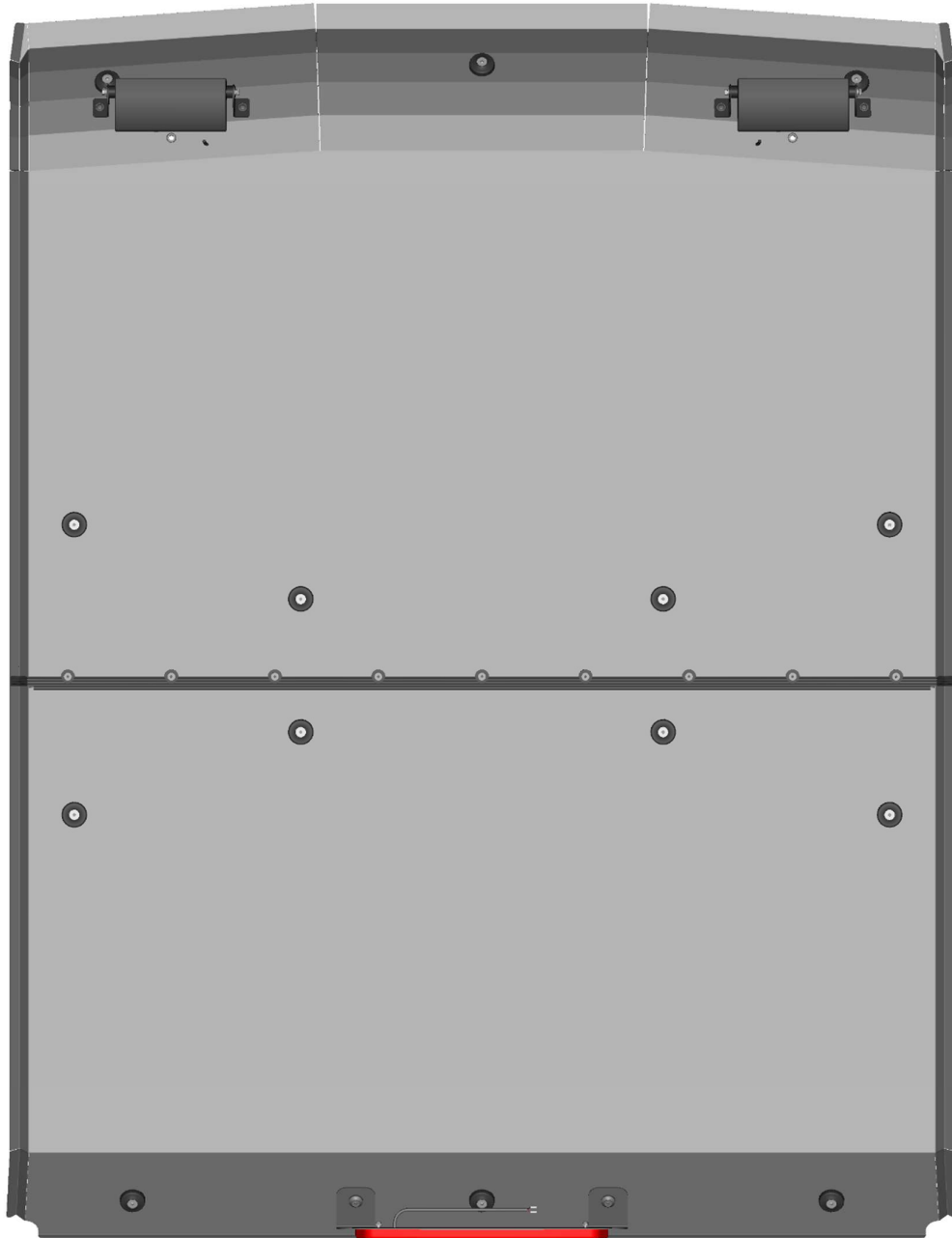


3

ID	Catalogue no.	Description	Qty
1	61S05U02S30	ROOF	1
2	61S05U01S20	REAR PANEL	1
3	61S05U02S41	LEFT REAR DOOR	1
4	61S05U02S40	LEFT FRONT DOOR	1
5	61S05U01S11	FRONT PANEL	1
6	61S05U02S50	RIGHT FRONT DOOR	1
7	61S05U02S51	RIGHT REAR DOOR	1
-	----	ELECTROINSTALLATION	1

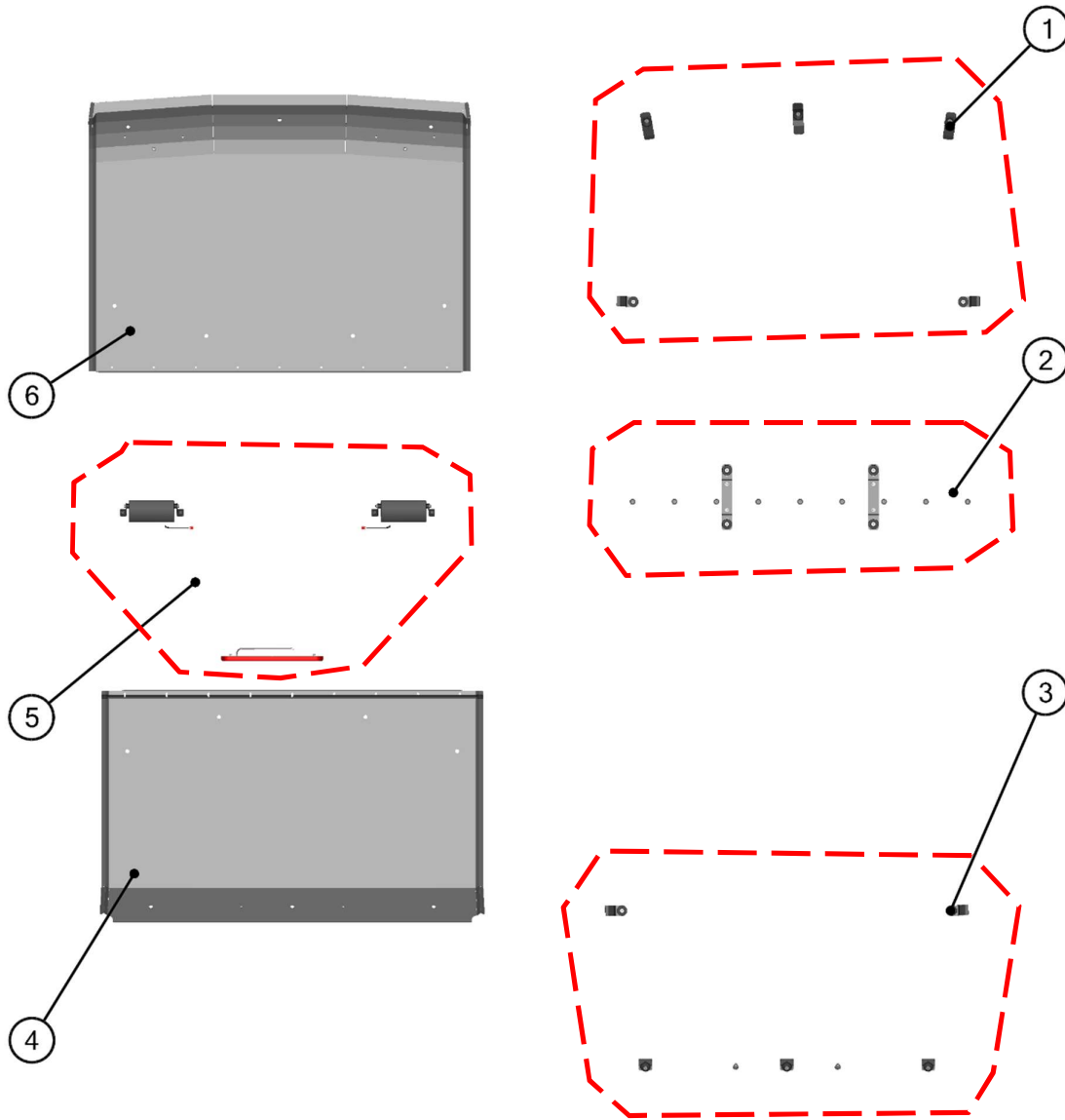
Page	Price
5	
7	
16	
11	
9	
21	
26	
30	

ROOF PANEL



4

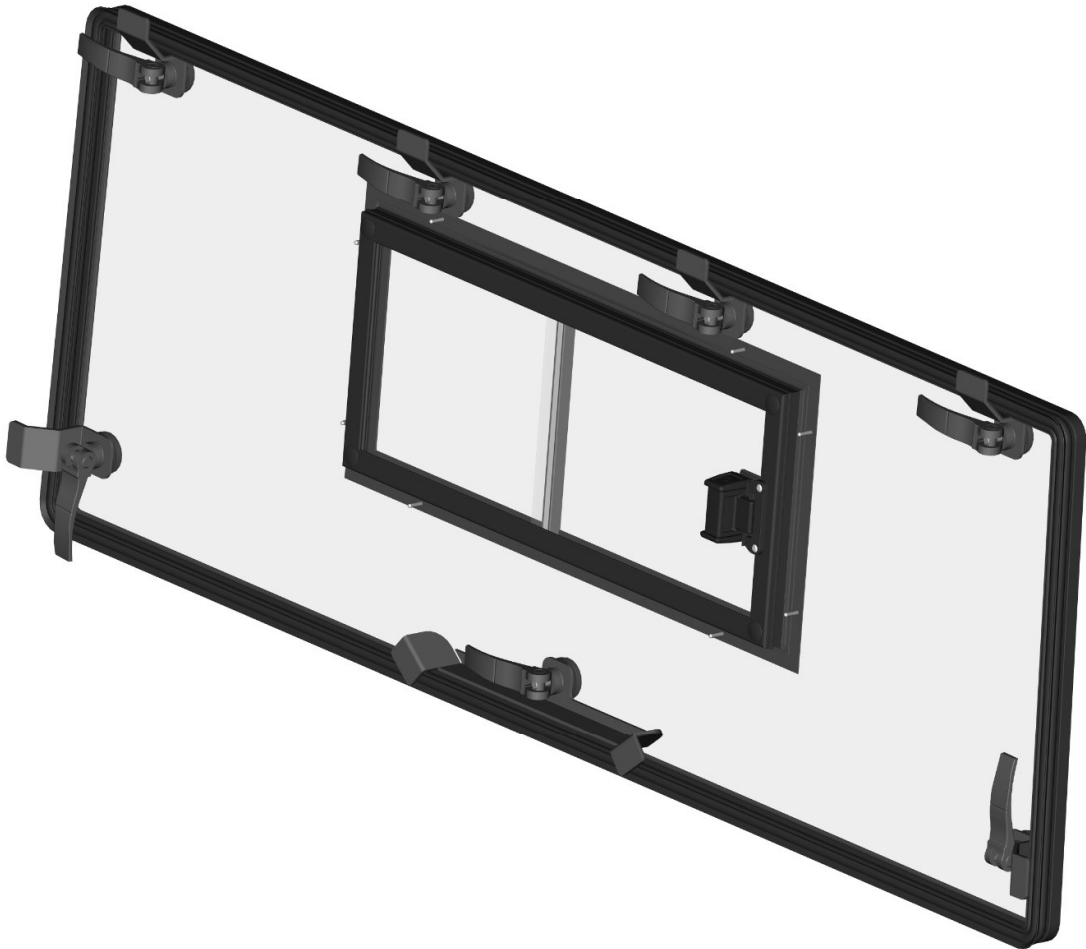
**ROOF PANEL ASSEMBLIES**



5

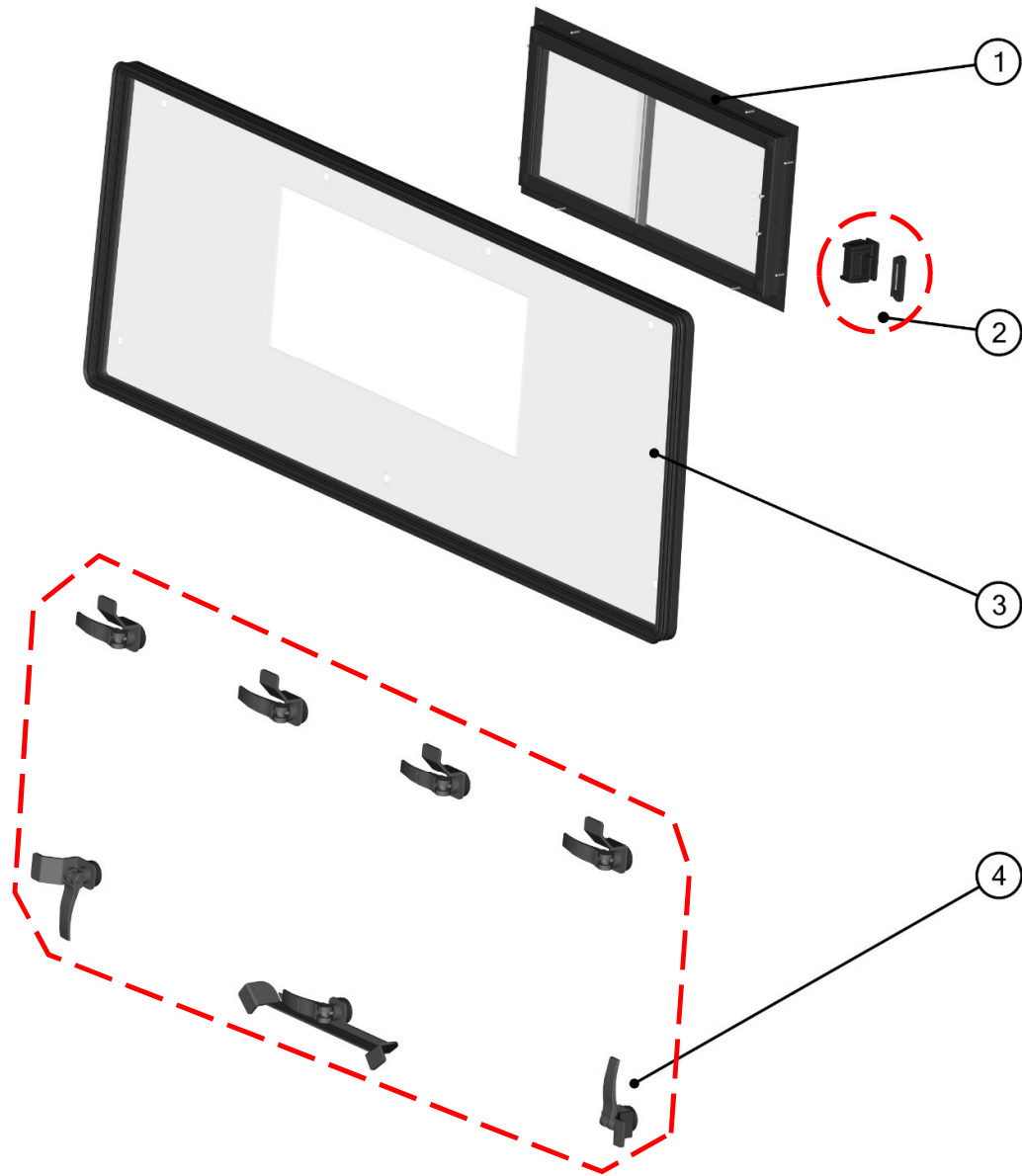
ID	Catalog no.	Description	Qty	Price
1	61S05U02-30PKM001	FRONT ROOF HARDWARE KIT	1	
2	61S05U02-30M008	CETRAL ROOF HARDWARE ASSEMBLY	1	
3	61S05U02-30PKM002	REAR ROOF HARDWARE KIT	1	
4	61S05U02-30M002	REAR ROOF ASSEMBLY	1	
5	61S05U01-30PKM002	ROOF LIGHT KIT	1	
6	61S05U02-30M001	FRONT ROOF ASSEMBLY	1	

REAR PANEL



6

**REAR PANEL ASSEMBLIES**



7

ID	Catalog no.	Description	Qty
1	61S05U01-20M002	REAR WINDOW ASSEMBLY	1
2	61S04U01-40PKM001	GLASS LOCK WITH STOP KIT	1
3	61S05U01-20M001	REAR POLY WITH SEALING	1
4	61S05U01-20PKM001	REAR HOLDERS KIT	1

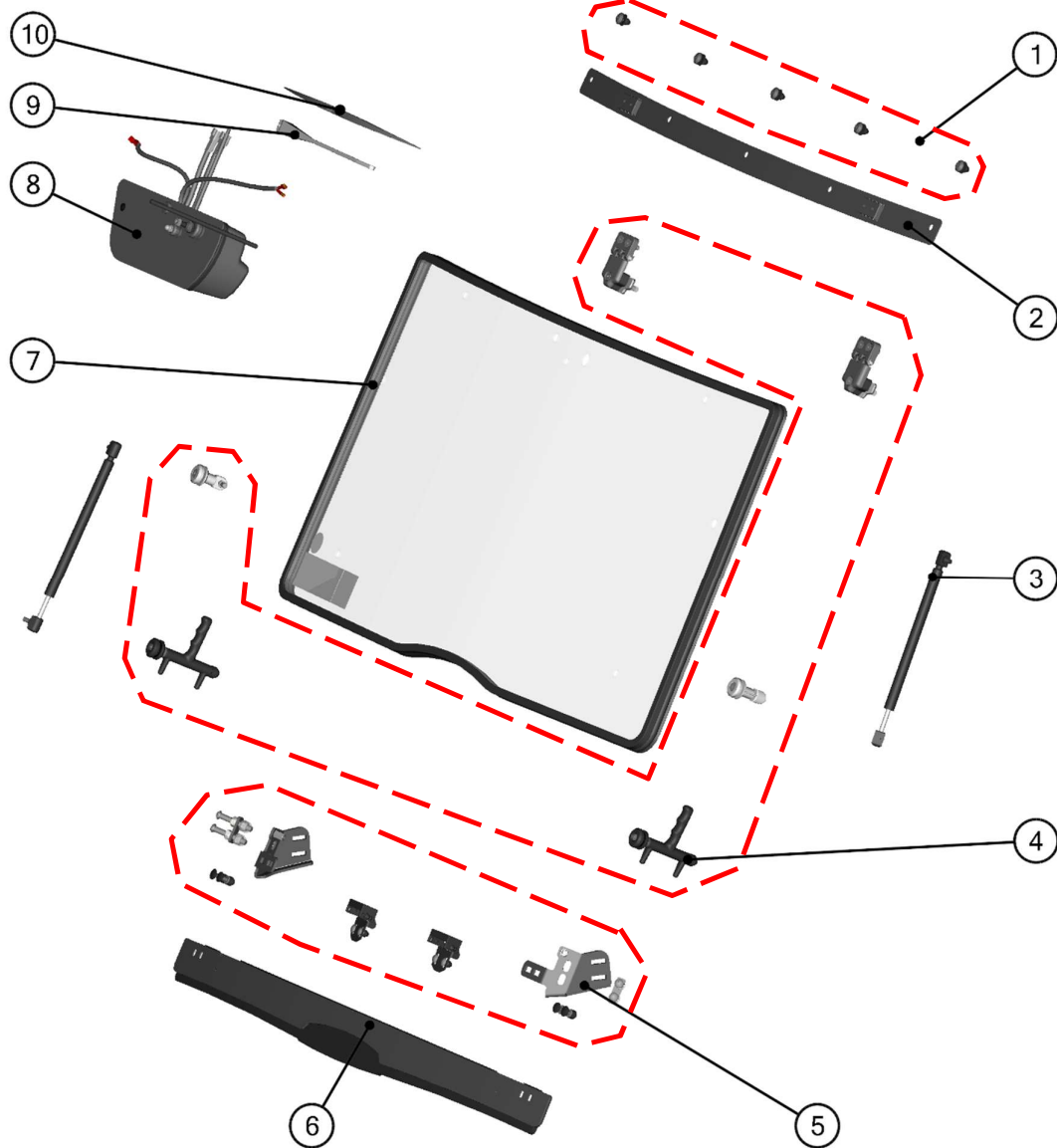
Price

FRONT PANEL





**FRONT PANEL ASSEMBLIES**



9

ID	Catalog no.	Description	Qty
1	61S05U01-10PKM001	FRONT UPPER FIXING KIT	1
2	61S05U01-10W002	FRONT UPPER LEDGE	1
3	002494	FRONT GAS SPRING ASSEMBLY	2
4	61S05U01-11PKM001	FRONT WINDOW HARDWARE KIT	1
5	61S05U01-11PKM002	FRONT BOTTOM HOLDER KIT	1
6	61S05U01-11PKM003	FRONT BOTTOM LEDGE	1
7	61S05U01-11M001	FRONT GLASS WITH SEALING	1
8	61S05U01-10M007	FRONT WIPER ASSEMBLY	1
9	001764	WIPER ARM	1
10	000798	WIPER BLADE	1

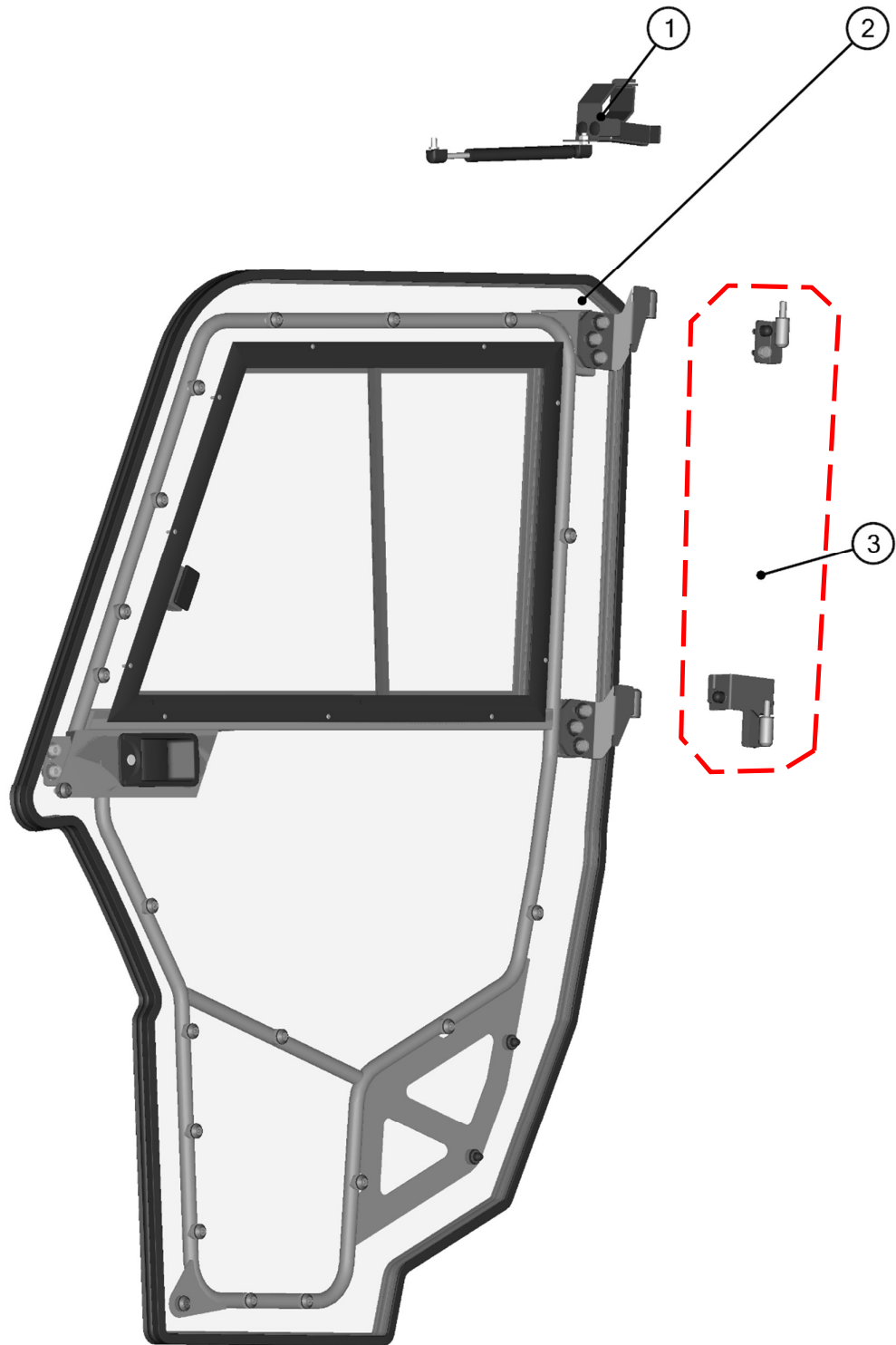
Price

FRONT LEFT DOOR

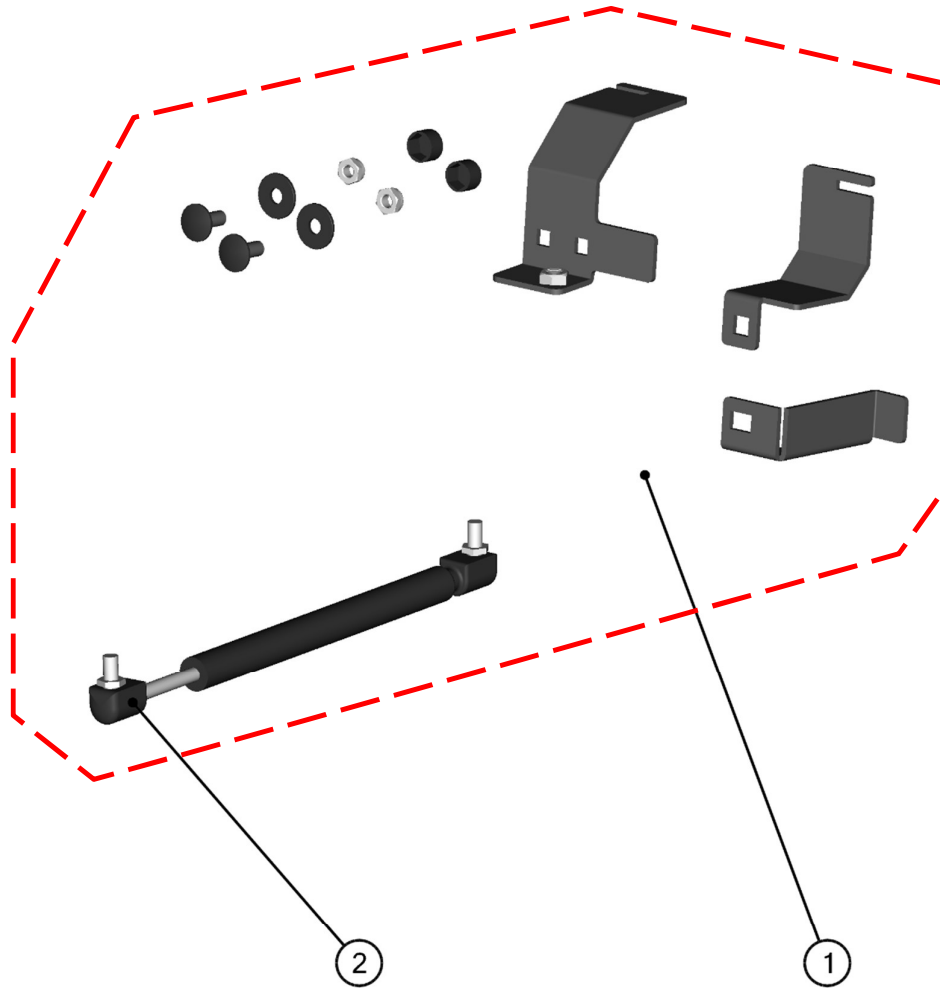


10

**FRONT LEFT DOOR ASSEMBLIES**



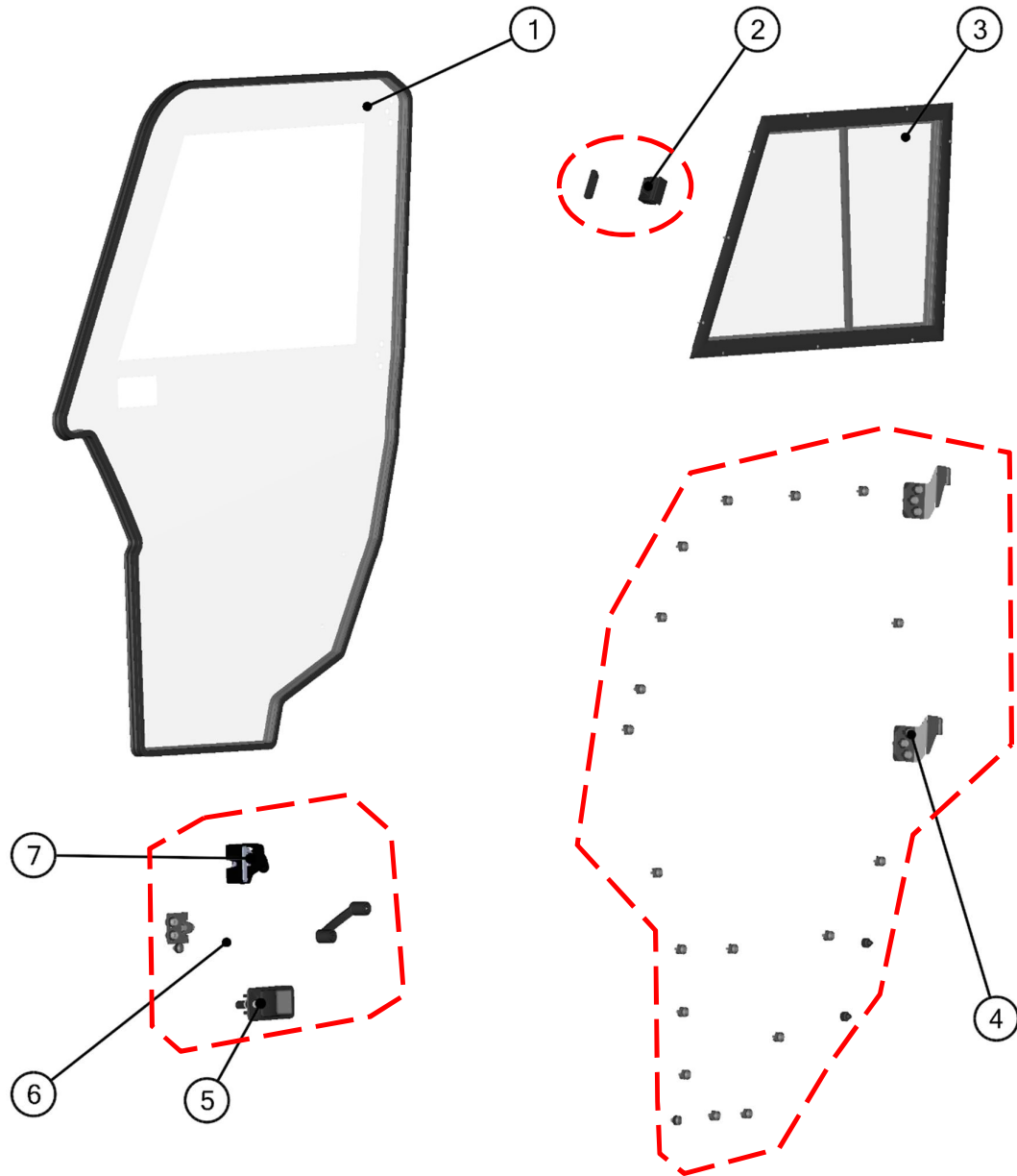
**FRONT LEFT DOOR GAS SPRING ASSEMBLY**



12

ID	Catalog no.	Description	Qty	Price
1	61S05U02-40M003	FRONT LEFT DOOR GAS SPRING ASSEMBLY	1	
2	000865	DOOR GAS SPRING		

**FRONT LEFT DOOR ASSEMBLY**

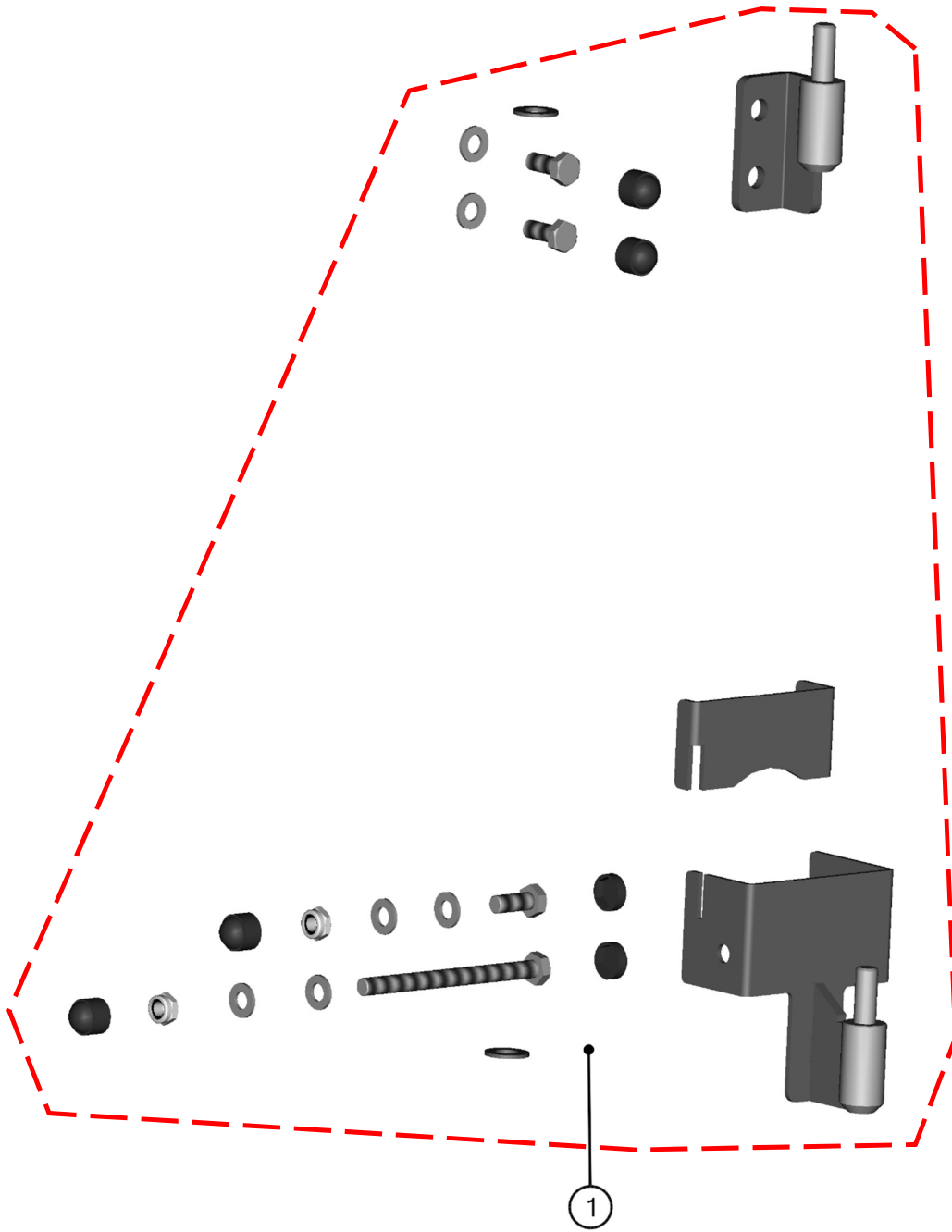


13

ID	Catalog no.	Description	Qty
1	61S05U02-40M002	LEFT DOOR POLY WITH SEALING	1
2	61S04U01-40PKM001	GLASS LOCK WITH STOP KIT	1
3	61S05U01-40M003	LEFT DOOR WINDOW ASSEMBLY	1
4	61S05U02-40PKM001	LEFT DOOR HINGES WITH FIXING KIT	1
5	000841	OUTER DOOR LOCK	1
6	61S05U01-40PKM002	LEFT DOOR LOCK WITH STOP KIT	1
7	001743	LEFT INNER DOOR LOCK	1

Price

**FRONT LEFT DOOR HINGE FRAME KIT**



14

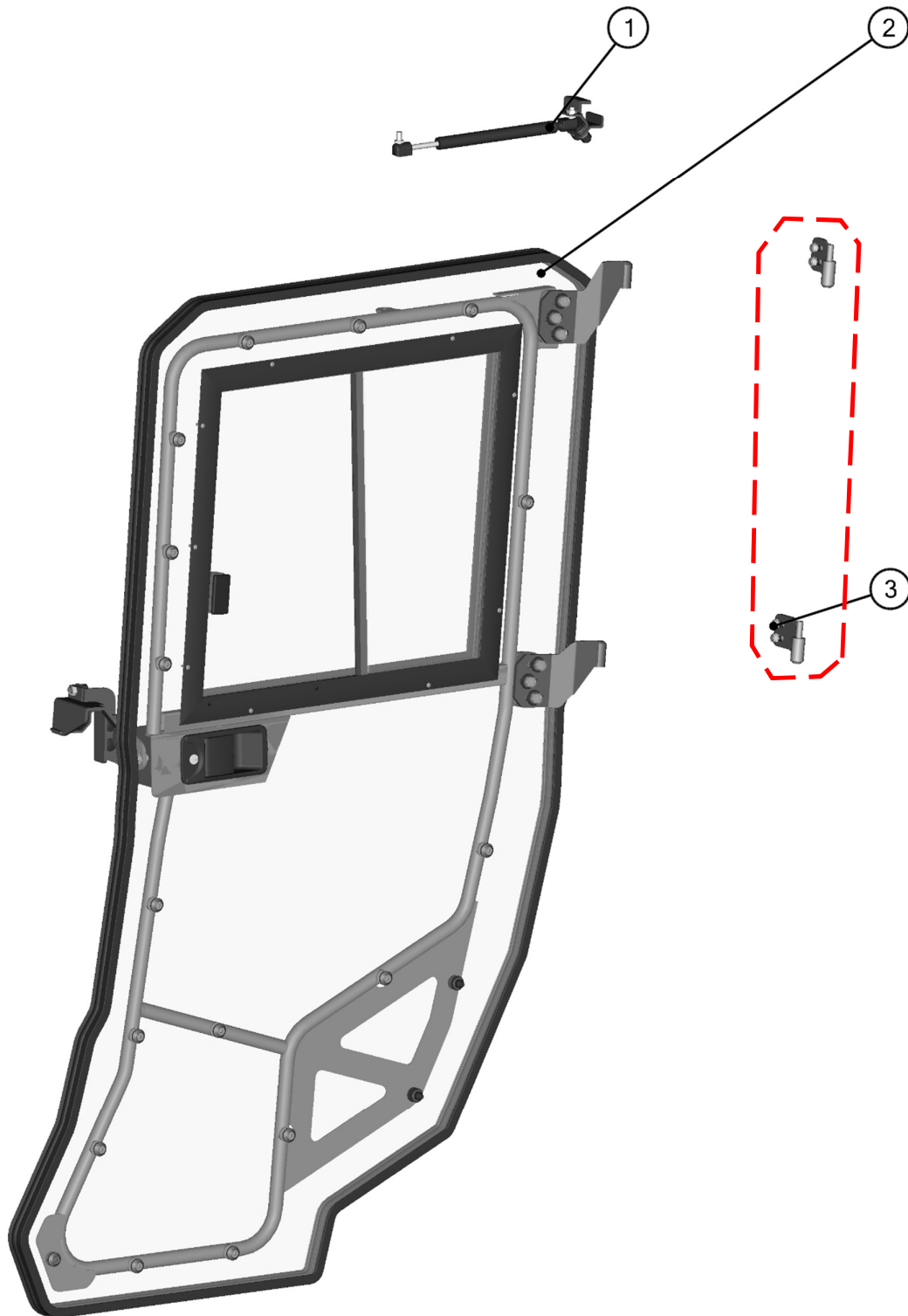
ID	Catalog no.	Description	Qty	Price
1	61S05U02-40PKM002	LEFT DOOR HINGE FRAME KIT	1	

REAR LEFT DOOR



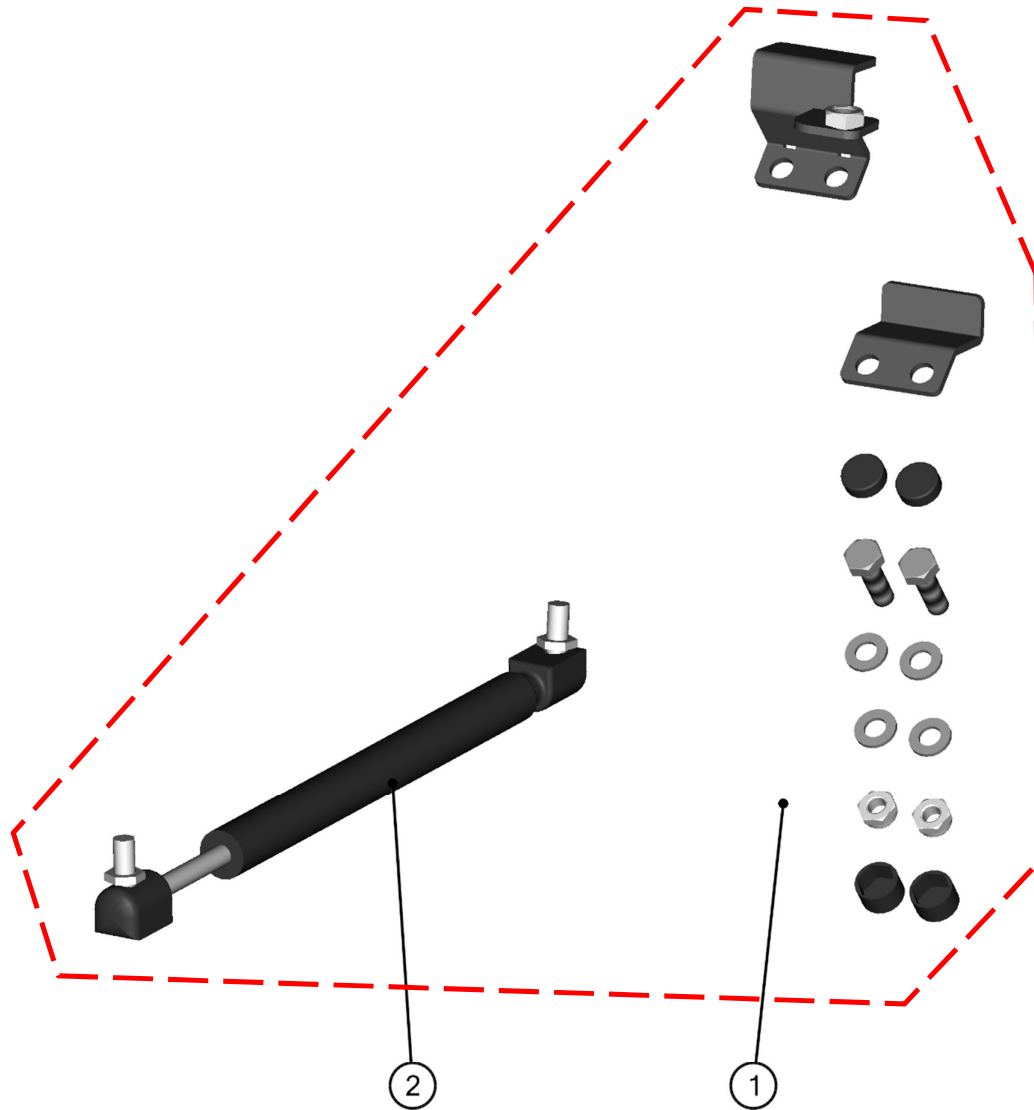
15

**REAR LEFT DOOR ASSEMBLIES**





**REAR LEFT DOOR GAS SPRING ASSEMBLY**

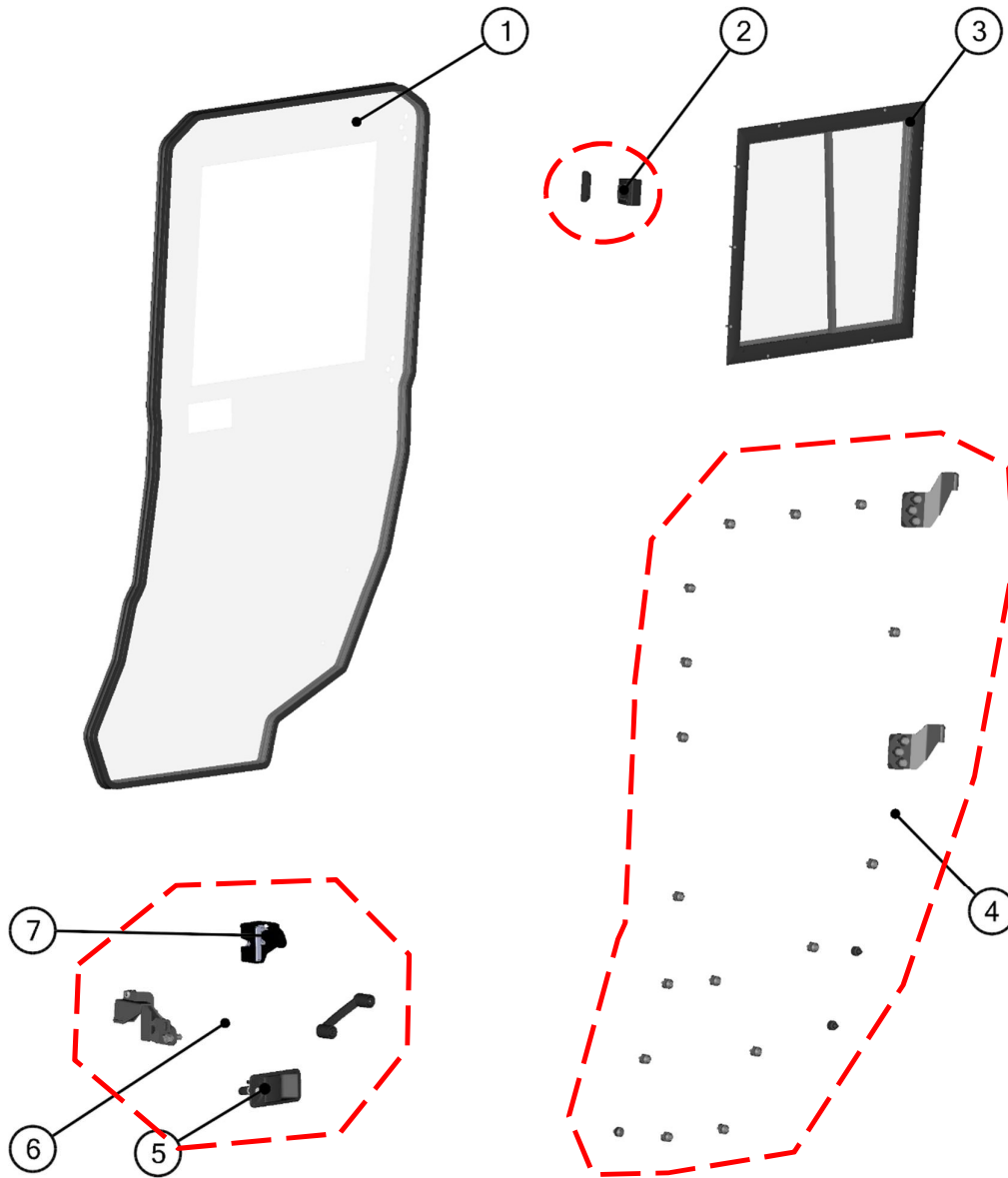


17

ID	Catalog no.	Description	Qty
1	61S05U01-40M009	LEFT DOOR GAS SPRING ASSEMBLY	1
2	000865	DOOR GAS SPRING	1

Price

**REAR LEFT DOOR ASSEMBLY**

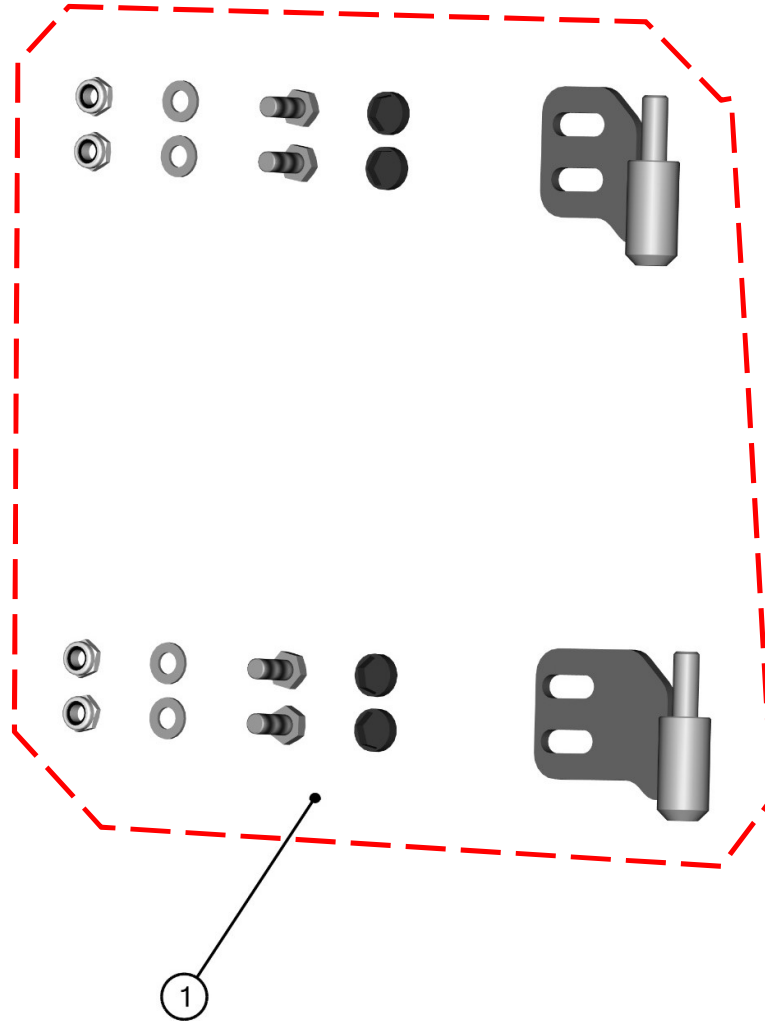


18

ID	Catalog no.	Description	Qty
1	61S05U02-41M002	LEFT DOOR POLY WITH SEALING	1
2	61S04U01-40PKM001	GLASS LOCK WITH STOP KIT	1
3	61S05U02-41M003	LEFT DOOR WINDOW ASSEMBLY	1
4	61S05U02-41PKM001	LEFT DOOR HINGES WITH FIXING KIT	1
5	000841	OUTER DOOR LOCK	1
6	61S05U02-41PKM002	LEFT DOOR LOCK WITH STOP KIT	1
7	001743	LEFT INNER DOOR LOCK	1

Price

**REAR LEFT DOOR HINGE FRAME KIT**



19

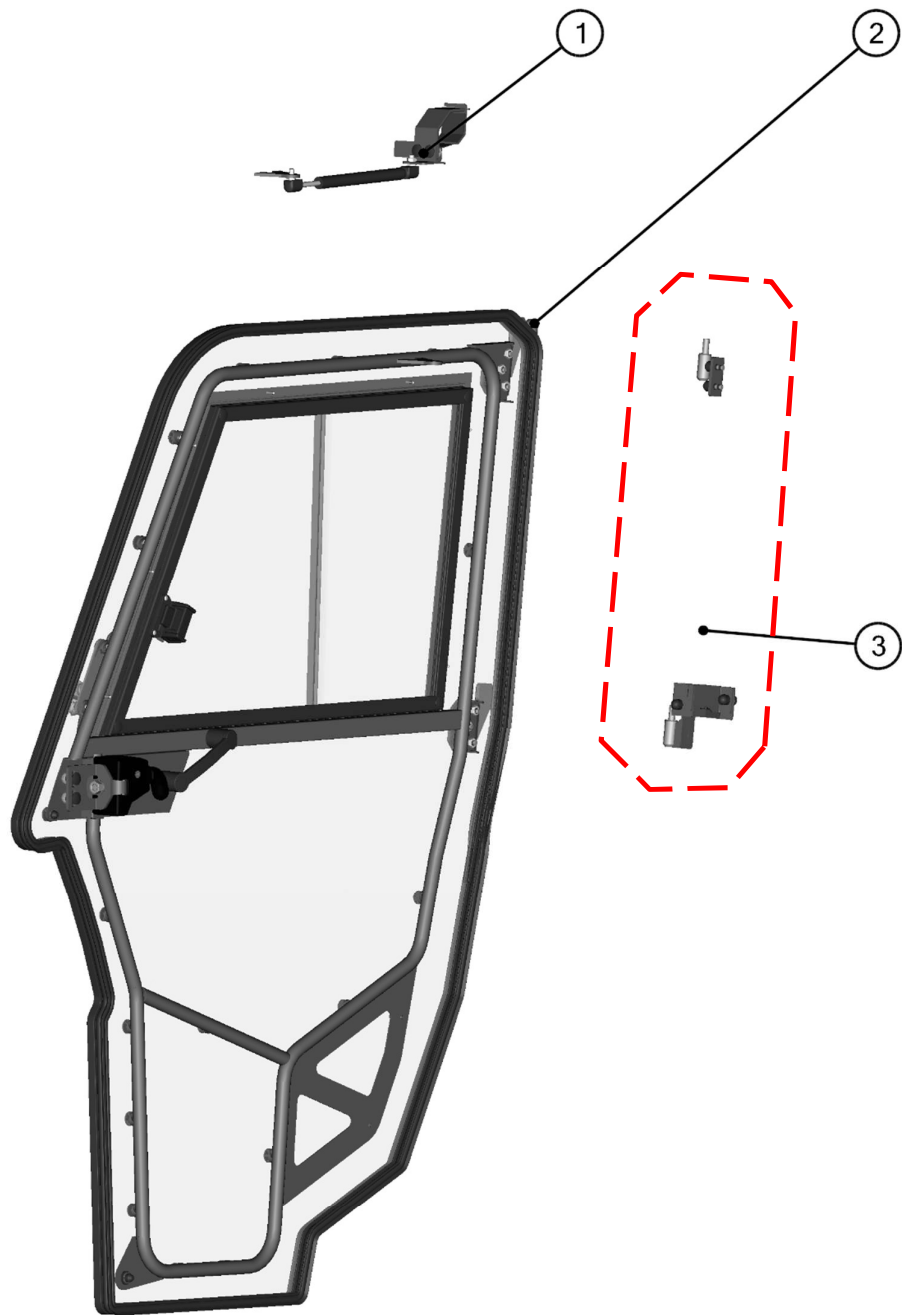
ID	Catalog no.	Description	Qty	Price
1	61S05U01-40PKM003	LEFT DOOR HINGE FRAME KIT	1	

FRONT RIGHT DOOR



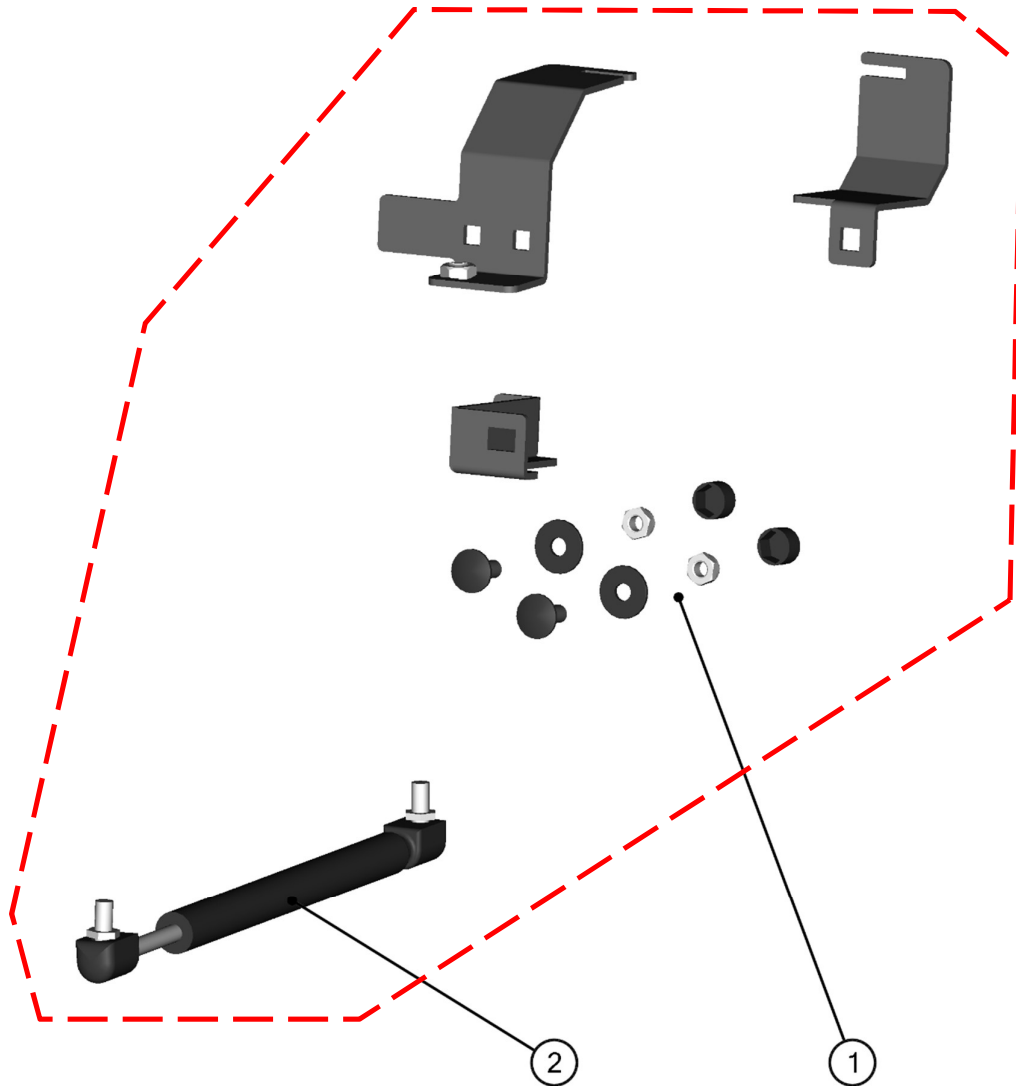
20

**FRONT RIGHT DOOR ASSEMBLIES**



21

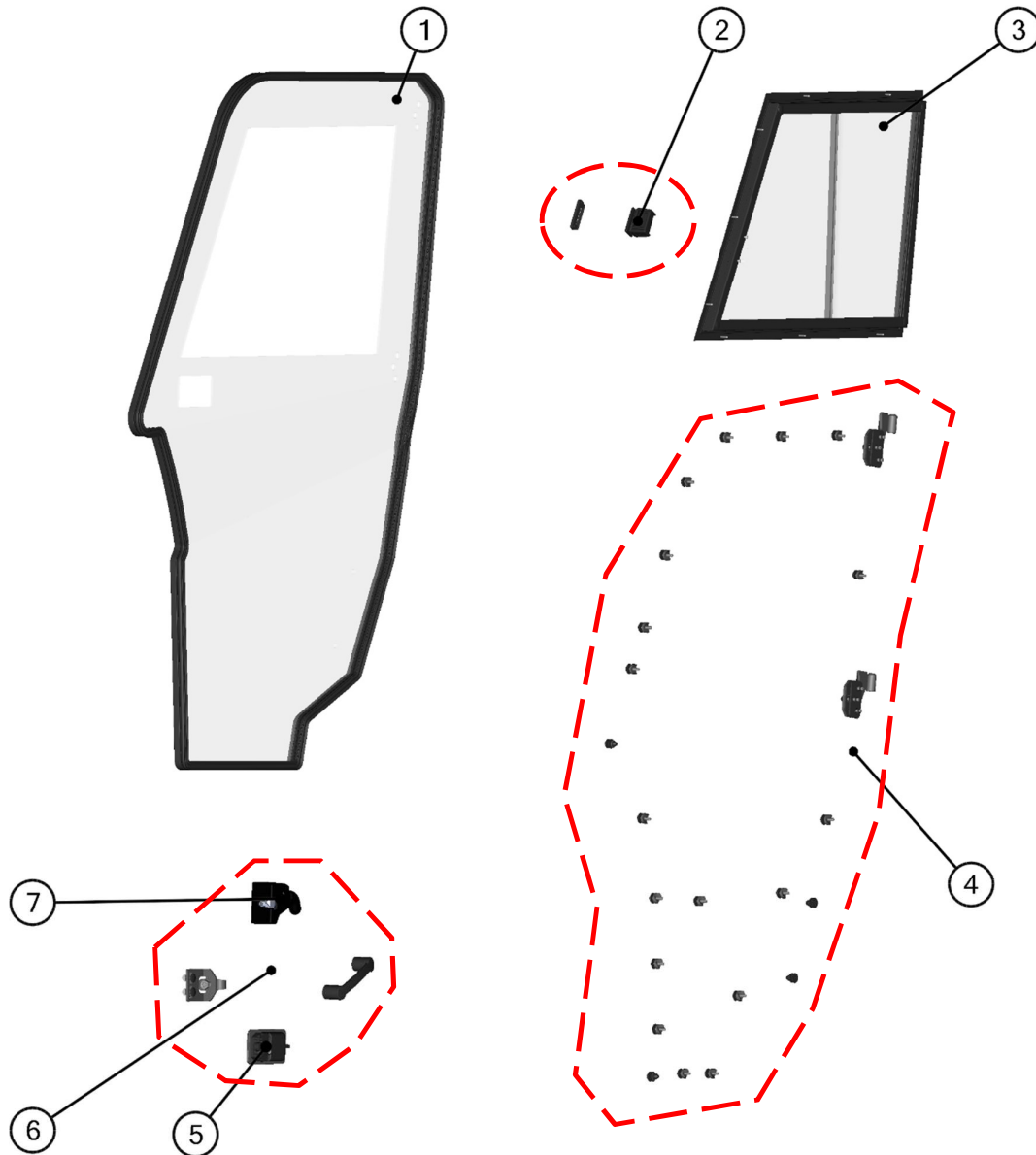
**FRONT RIGHT DOOR GAS SPRING ASSEMBLY**



22

ID	Catalog no.	Description	Qty	Price
1	61S05U02-50M003	RIGHT DOOR GAS SPRING ASSEMBLY	1	
2	000865	DOOR GAS SPRING		

**FRONT RIGHT DOOR ASSEMBLY**

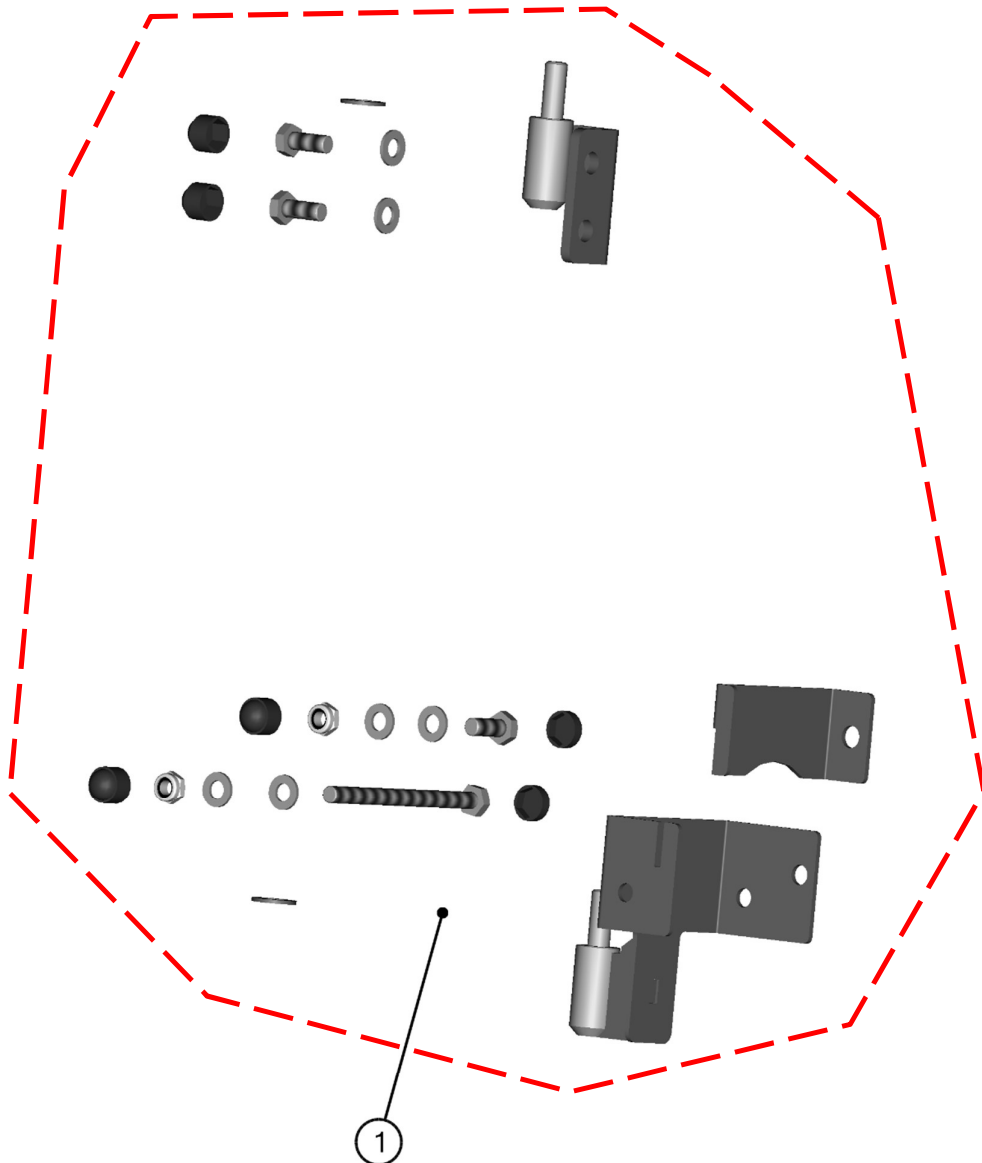


23

ID	Catalog no.	Description	Qty
1	61S05U02-50M002	RIGHT POLY WITH SEALING	1
2	61S04U01-40PKM001	GLASS LOCK WITH STOP KIT	1
3	61S05U01-50M003	RIGHT DOOR WINDOW ASSEMBLY	1
4	61S05U02-50PKM001	RIGHT DOOR HINGES WITH FIXING KIT	1
5	000841	OUTER DOOR LOCK	
6	61S05U01-50PKM002	RIGHT DOOR LOCK WITH STOP KIT	1
7	001744	RIGHT INNER DOOR LOCK	

Price

**FRONT RIGHT DOOR HINGES**



24

ID	Catalog no.	Description	Qty
1	61S05U02-50PKM002	RIGHT DOOR HINGE FRAME KIT	1

Price

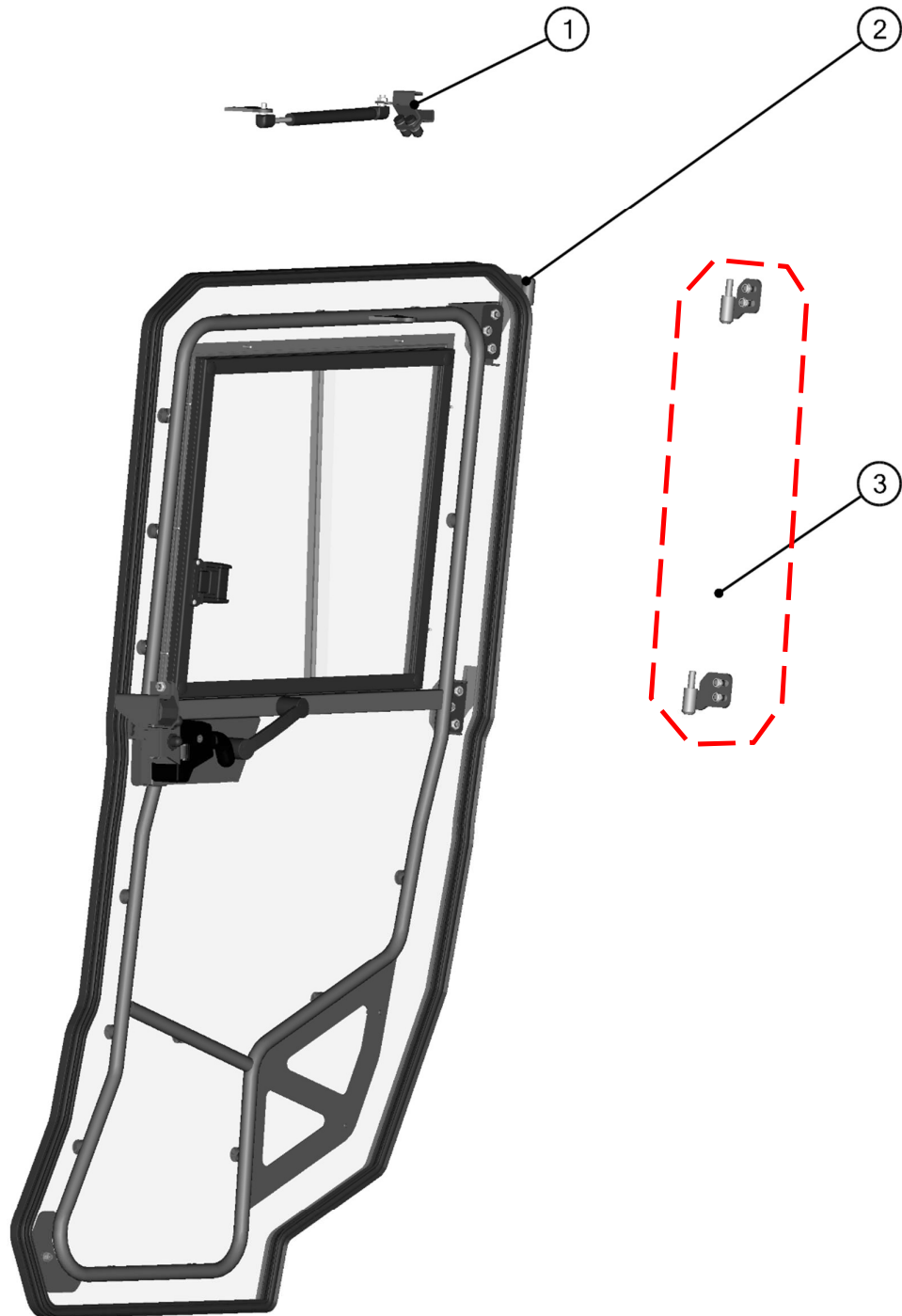


REAR RIGHT DOOR

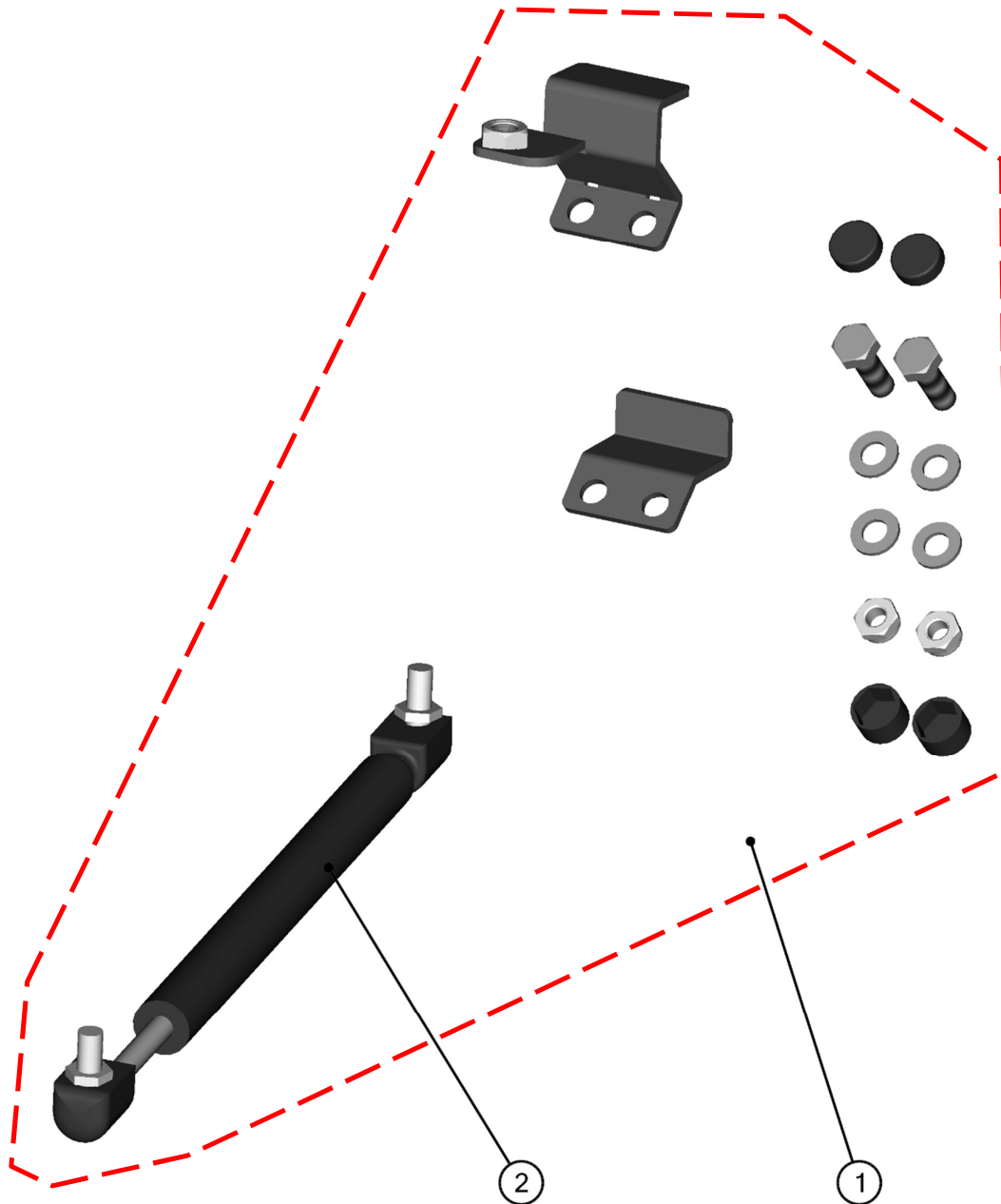


25

REAR RIGHT DOOR ASSEMBLIES



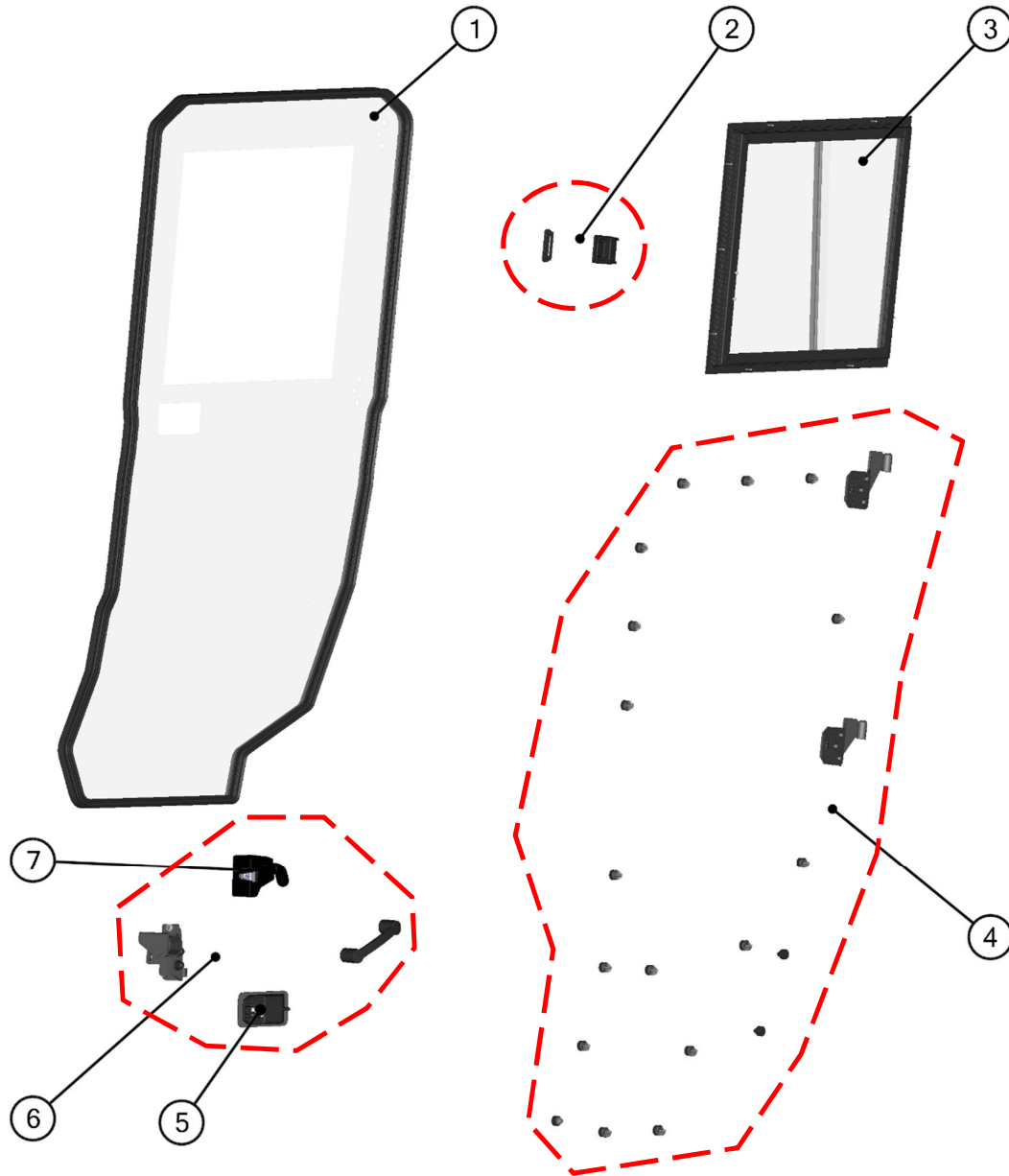
**REAR RIGHT DOOR GAS SPRING ASSEMBLY**



27

ID	Catalog no.	Description	Qty	Price
1	61S05U01-50M009	RIGHT DOOR GAS SPRING ASSEMBLY	1	
2	000865	DOOR GAS SPRING	1	

**REAR RIGHT DOOR ASSEMBLY**

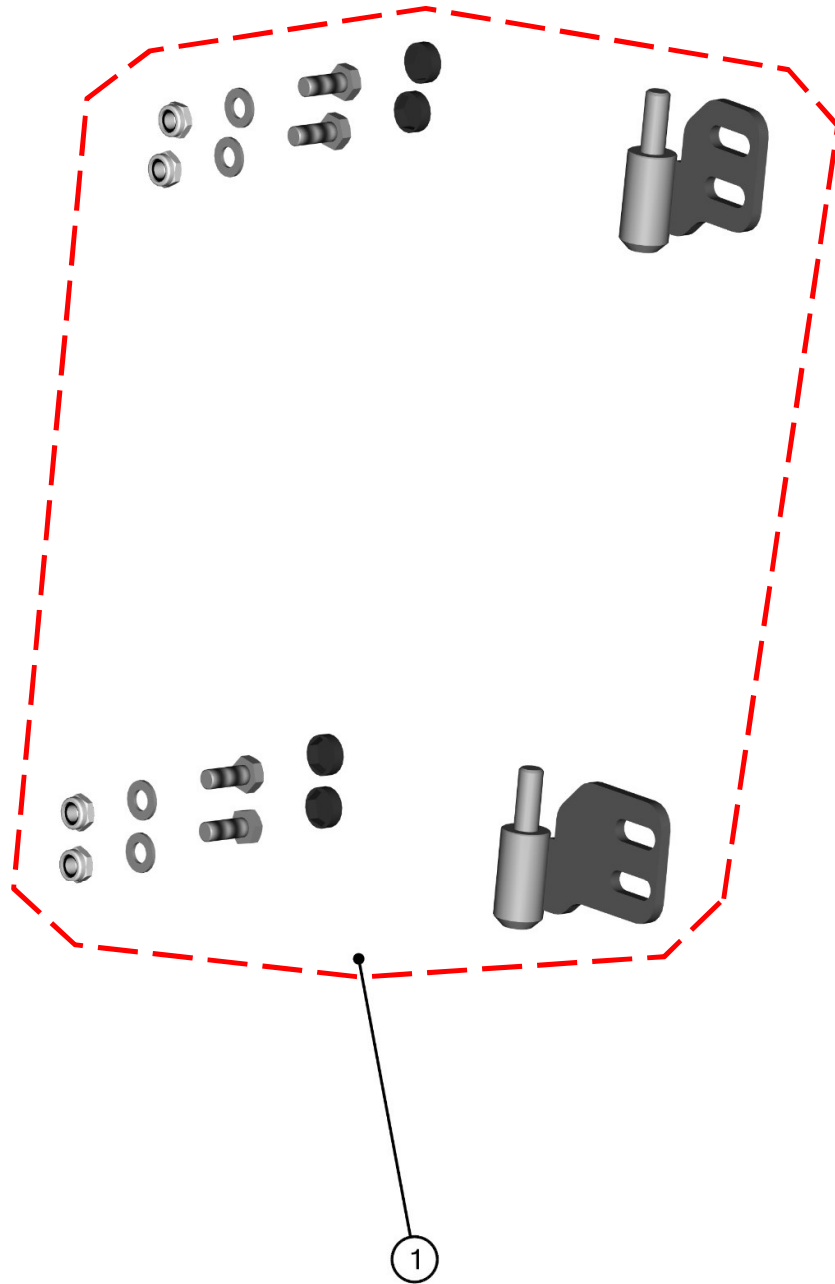


28

ID	Catalog no.	Description	Qty
1	61S05U02-51M002	RIGHT POLY WITH SEALING	1
2	61S04U01-40PKM001	GLASS LOCK WITH STOP KIT	1
3	61S05U01-50M003	RIGHT DOOR WINDOW ASSEMBLY	1
4	61S05U02-51PKM001	RIGHT DOOR HINGES WITH FIXING KIT	1
5	000841	OUTER DOOR LOCK	1
6	61S05U02-51PKM002	RIGHT DOOR LOCK WITH STOP KIT	1
7	001743	RIGHT INNER DOOR LOCK	1

Price

**REAR RIGHT DOOR HINGES**











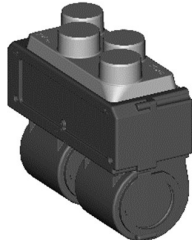
29

ID	Catalog no.	Description	Qty	Price
1	61S05U01-50PKM003	RIGHT DOOR HINGE FRAME KIT	1	

**ELECTROINSTALLATION**

Position	Catalogue no.	Description	Qty	Price
1	004322	WIPER / WASHER SWITCH	1	
2	006768	FRONT LIGHT SWITCH	1	
3	008640	WIPER HARNESS	1	
4	008637	WASHER HARNESS	1	
5	008636	EXTENSION HARNESS	1	
6	000885	WASHER TANK	1	
7	008639	SUPPLY HARNESS	1	
8	008638	HEATER HARNESS	1	
9	006259	HEATER UNIT	1	
10	002386	EL. VALVE	1	
11	002471	WATER PUMP FOR HEATER	1	
12	00-109U-M006	SIDE MIRRORS KIT	1	
13	002863	AIR VENT SMALLER	4	
14	002739	AIR VENT LARGER	2	
15	008641	BRAKE LIGHT HARNESS	1	
16	009324	HEATER EXTENSION HARNESS	1	
17	009325	EL. VALVE EXTENSION HARNESS	1	
18	009326	WASHER EXTENSION HARNESS	1	

30

		
<p><b>Position : 1</b> <b>Catalogue no.: 004322</b></p>	<p><b>Position : 2</b> <b>Catalogue no.: 006768</b></p>	<p><b>Position : 3</b> <b>Catalogue no.: 008640</b></p>
		
<p><b>Position : 4</b> <b>Catalogue no.: 008637</b></p>	<p><b>Position : 5</b> <b>Catalogue no.: 008636</b></p>	<p><b>Position : 6</b> <b>Catalogue no.: 000885</b></p>
		
<p><b>Position : 7</b> <b>Catalogue no.: 008639</b></p>	<p><b>Position : 8</b> <b>Catalogue no.: 008638</b></p>	<p><b>Position : 9</b> <b>Catalogue no.: 006259</b></p>

		
<p><b>Position : 10</b></p>	<p><b>Position : 11</b></p>	<p><b>Position : 12</b></p>
<p><b>Catalogue no.: 002386</b></p>	<p><b>Catalogue no.: 002471</b></p>	<p><b>Catalogue no.: 00-109U-M006</b></p>
		
<p><b>Position : 13</b></p>	<p><b>Position : 14</b></p>	<p><b>Position : 15</b></p>
<p><b>Catalogue no.: 002863</b></p>	<p><b>Catalogue no.: 002739</b></p>	<p><b>Catalogue no.: 008641</b></p>
		
<p><b>Position : 16</b></p>	<p><b>Position : 17</b></p>	<p><b>Position : 18</b></p>
<p><b>Catalogue no.: 009324</b></p>	<p><b>Catalogue no.: 009325</b></p>	<p><b>Catalogue no.: 009326</b></p>