



*INSTALLATION INSTRUCTIONS*

**YAMAHA**

**WOLVERINE RMAX 4 (2020+)**



## **SAFETY INSTRUCTIONS**

### **READ PROPERLY COMPLETE ASSEMBLY INSTRUCTIONS BEFORE STARTING OF ASSEMBLY**

***Warning: Failure to heed all safety and operating instructions and warnings regarding use of this product can result in serious bodily injury.***

***Install all parts indicated in assembly instructions. Failure to fully assemble product before use could result in personal injury.***

***Assembly of product requires use of hand or power tools. If you are not experienced in using these types of tools, have product dealer do the install for you.***

***Some parts contain sharp edges, wear protective gloves if necessary. Always keep your assembly area clean, uncluttered and well lit.***

***Keep visitors and children a safe distance away from the assembly area. Visitors should wear the same safety equipment described under.***

***Never operate your UTV with the cab doors open. Failure to properly latch the doors before moving the vehicle could result in serious injury.***

***Dress for safety. DO NOT wear loose clothing, gloves, neckties or jewelry if using power tools to assemble this product. Insert all nut covers after you finish installation.***

***Never drive your UTV with the cab front window in open position.***

***Failure of improperly latched/locked front window before driving the vehicle could result in serious injury.***

## **MAINTENANCE AND CLEANING**

*To clean polycarbonate surface use soapy water solution or other subtle means.*

*Dirt and dust wash by gently water stream and swipe only with wet or damp means in the direction from top to bottom.*

*The recommended frequency of cleaning of polycarbonate part is about 1 time per month or according to the actual degree of pollution.*

*Do not use detergents that could scratch the surface plates (abrasives, harsh fabrics, etc.).*

*Do not use solvents or alkaline detergents or cleaners with ammonia (ammonium hydroxide).*

*Do not remove the impurities from the surface of the razor blades or other sharp items.*

*Do not clean cabin, when the polycarbonate plates are heated by the sun.*

*Do not use the squeegee. It could be scratched surface plates.*

*Do not clean the water current strength greater than 50 bar (WAP).*

*The manufacturer is not responsible for scratching the surface in case of failure to comply with the above instructions.*

*All bolted connections of cab must be checked and tightened by user at regular intervals.*

*It is necessary to check the air filter of the heater regularly, depending on the dust environment in which the vehicle is operated.*



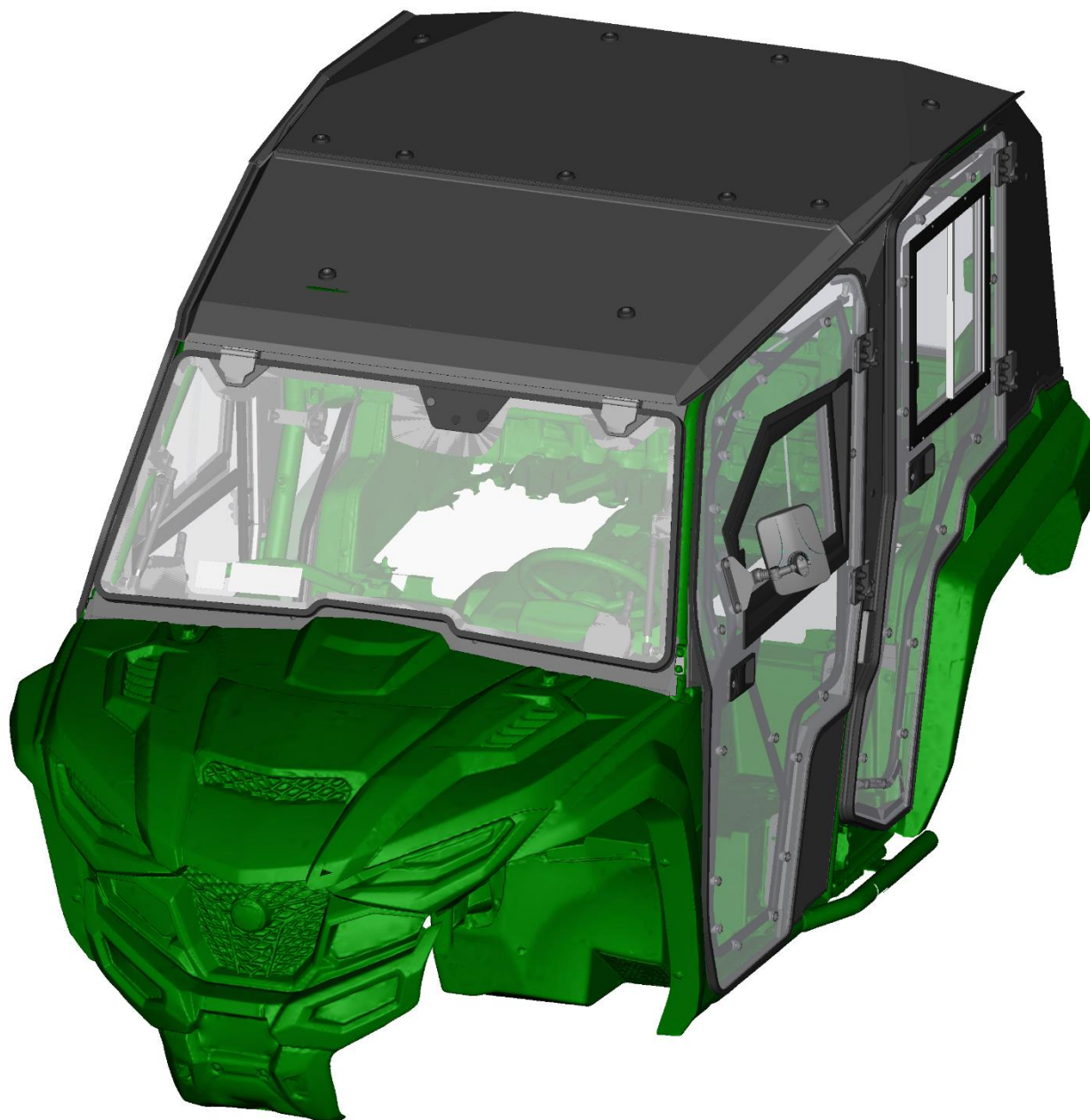
### **PREPARATION FOR INSTALLATION**

Uninstall all additional systems from the roller cages (work lights, rear mirrors, drink holders etc.)



4



**CAB PREVIEW**

5

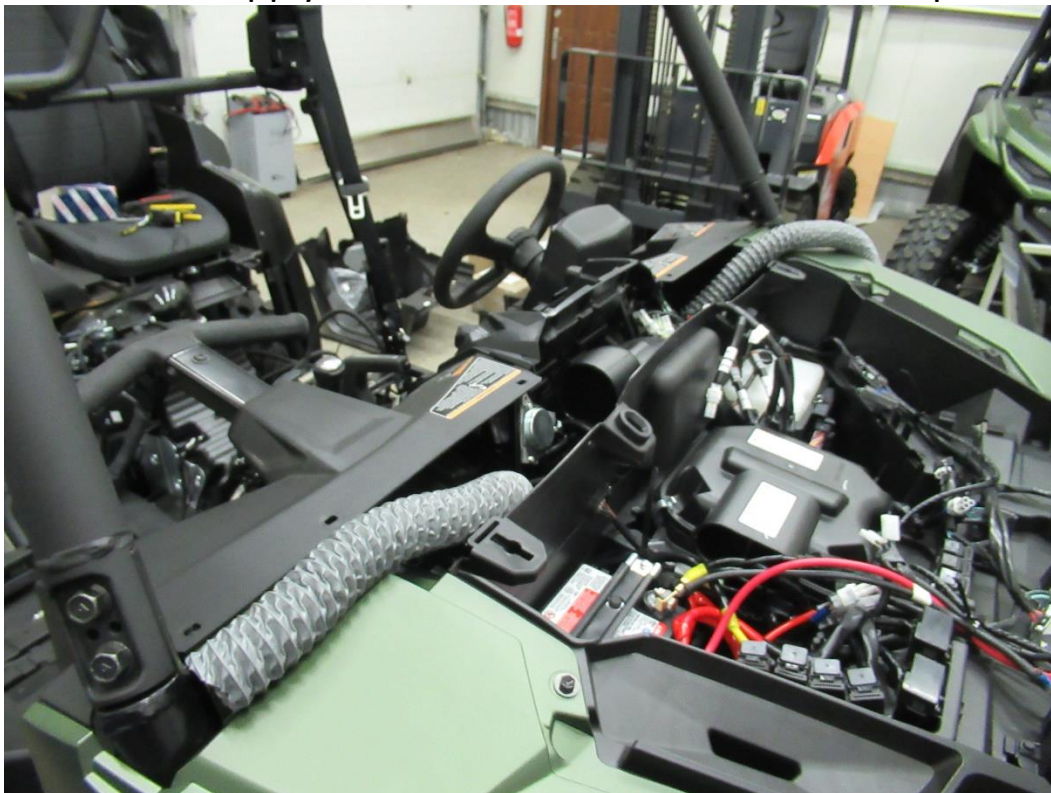
**ELECTROINSTALLATION 1.**

Uninstall the plastic covers from the vehicle.



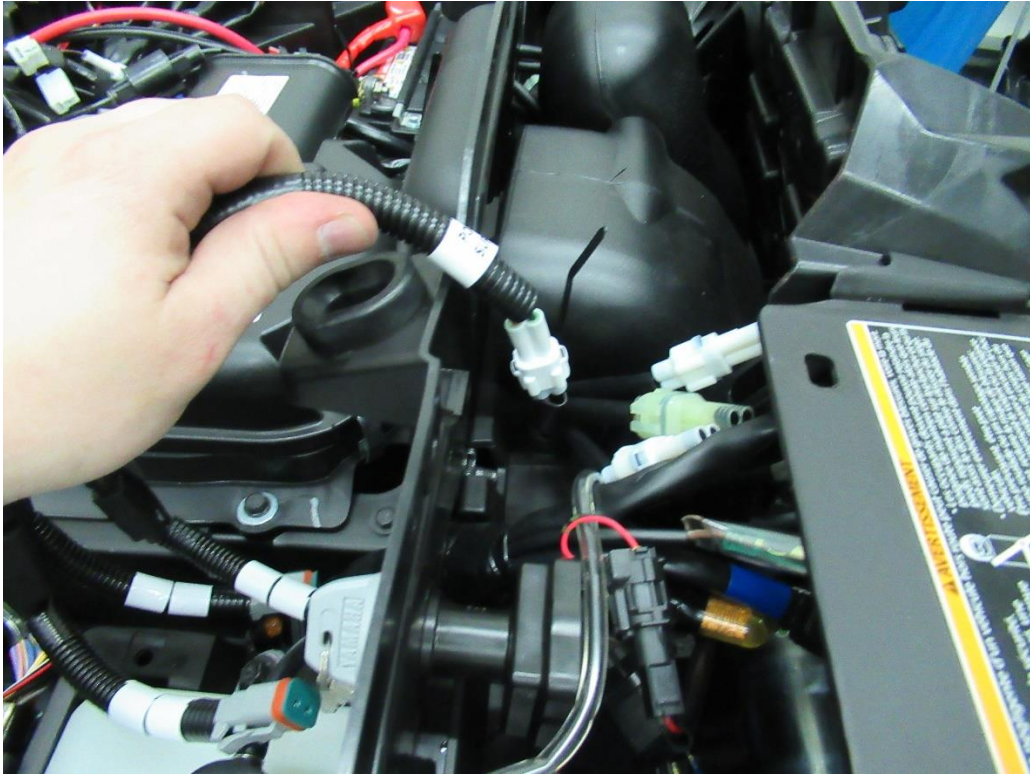
6

Place the supply harness into the dashboard inner space.





Connect the supply harness with the original connector.

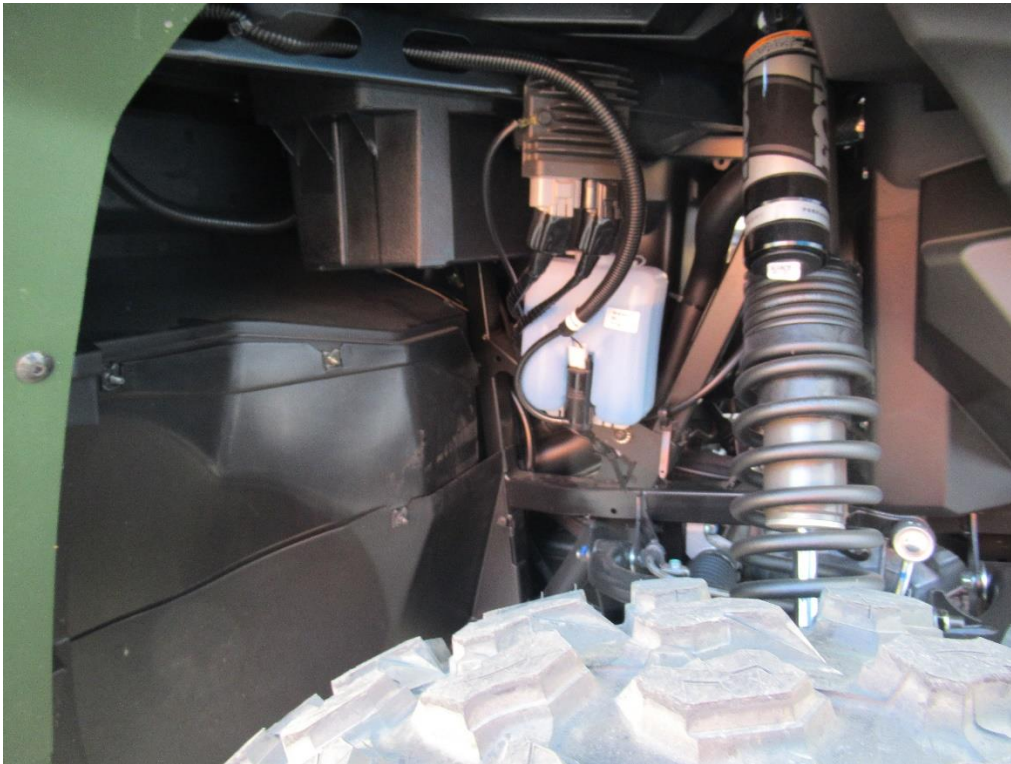


Place the wiper/washer harness onto the vehicle front space.



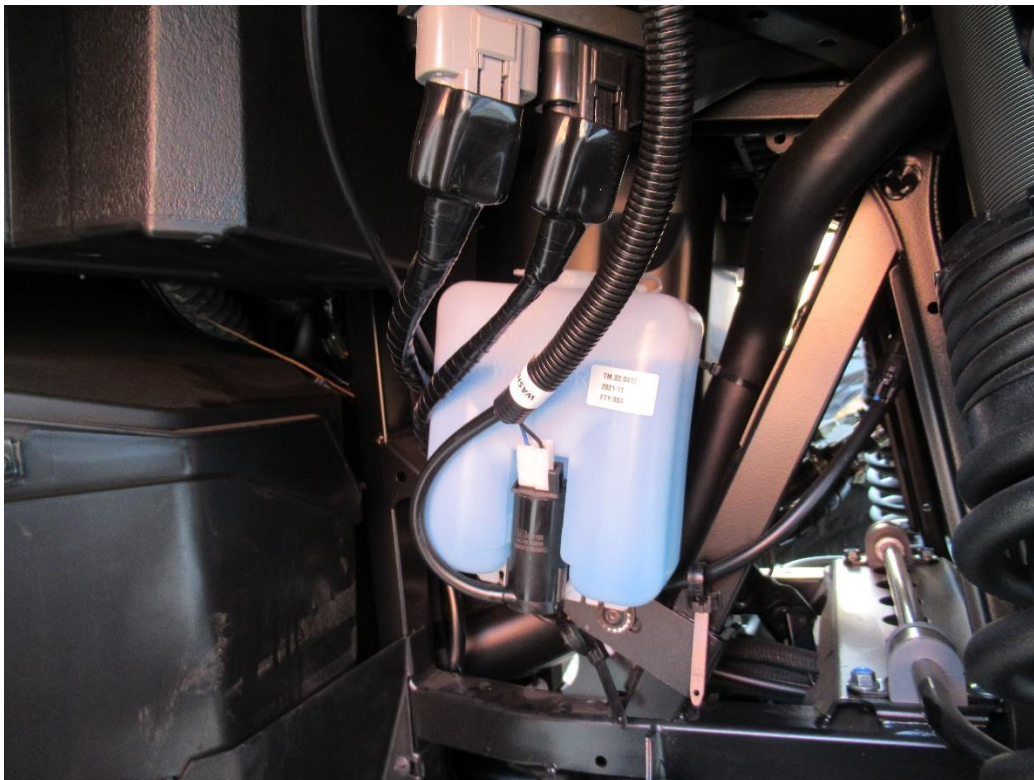


Install the washer tank holder with the washer tank onto the vehicle frame.



8

Run the washer harness to the washer tank. Connect the washer harness and washer hose with the washer tank.



Run the wiper/washer harness from the front vehicle space to the central tunnel space.

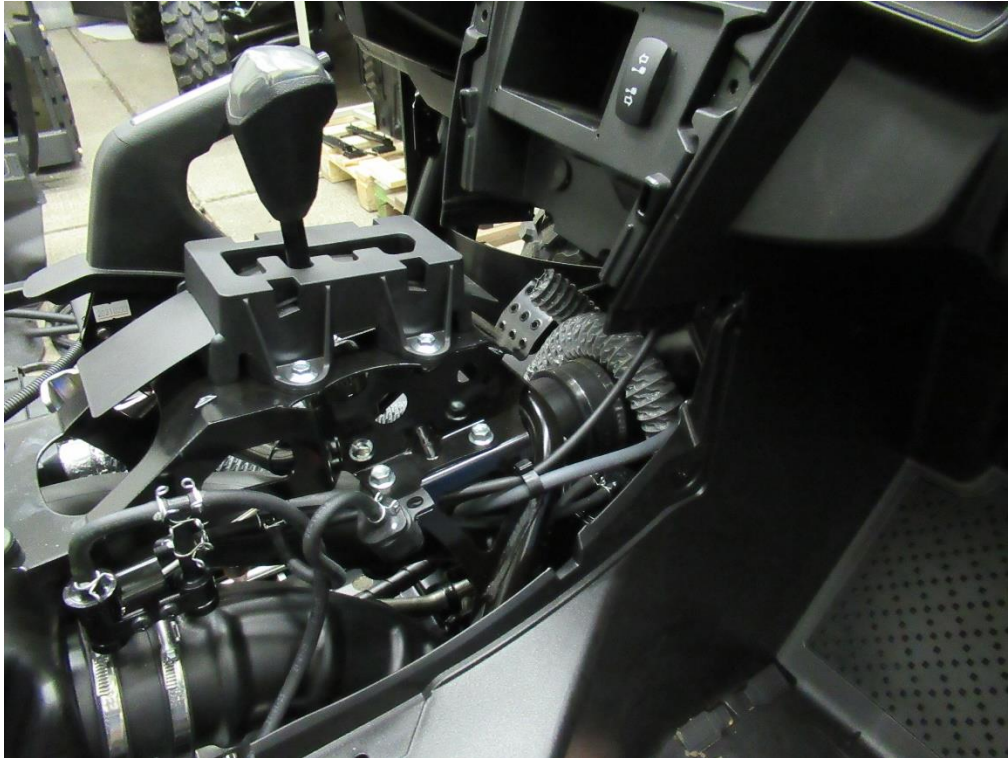


Uninstall the tunnel covers from the floor tunnel.





Run the wiper/washer harness to the tunnel space.



10

Pull out the original switch space cover. Run the switch harness through the original hole. Connect the switch with the harness and push switch into the hole.

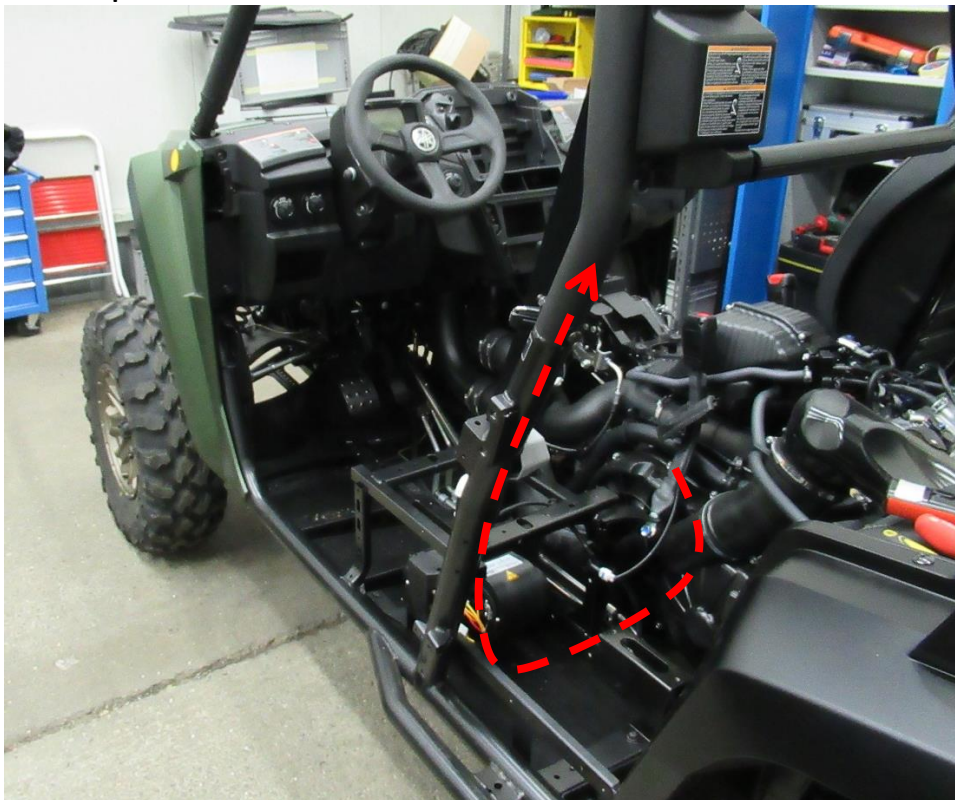




Run the wiper/washer harness through the floor tunnel.



Run the wiper / washer harness to the left central vehicle frame.

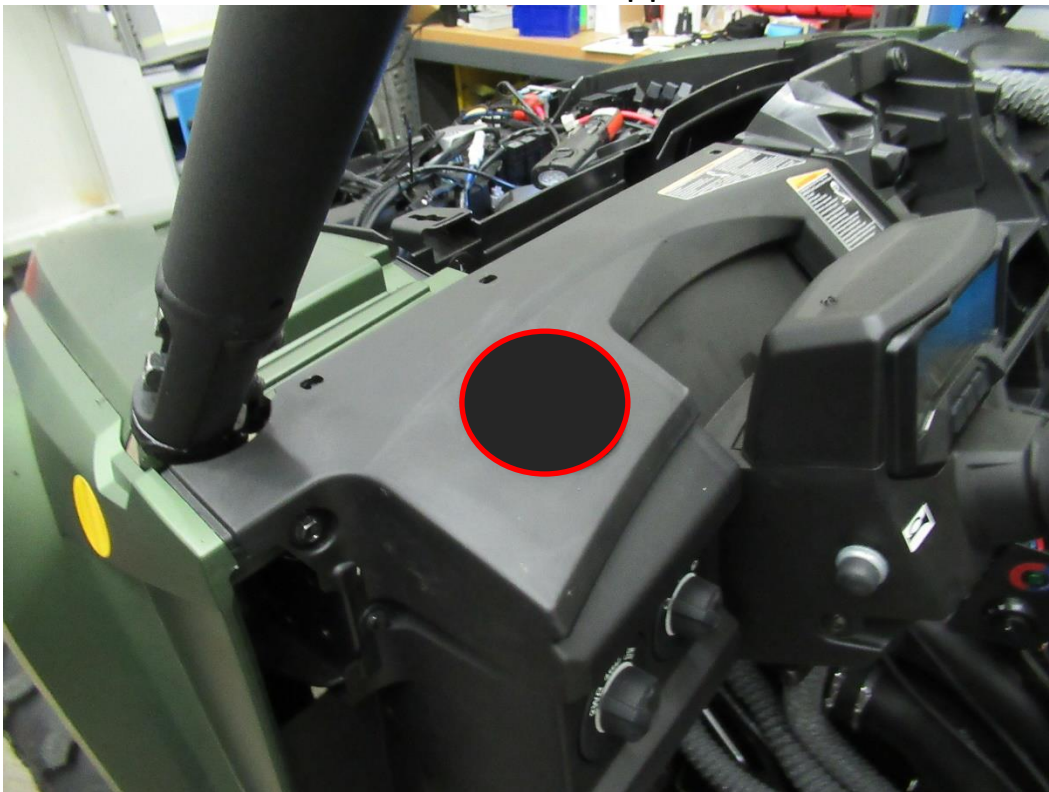


**HEATER**

Drill hole  $\varnothing 75\text{mm}$  into the upper dashboard.



Drill hole  $\varnothing 75\text{mm}$  into the upper dashboard.





Take out the driver seat. It is recommended to uninstall floor cover too.

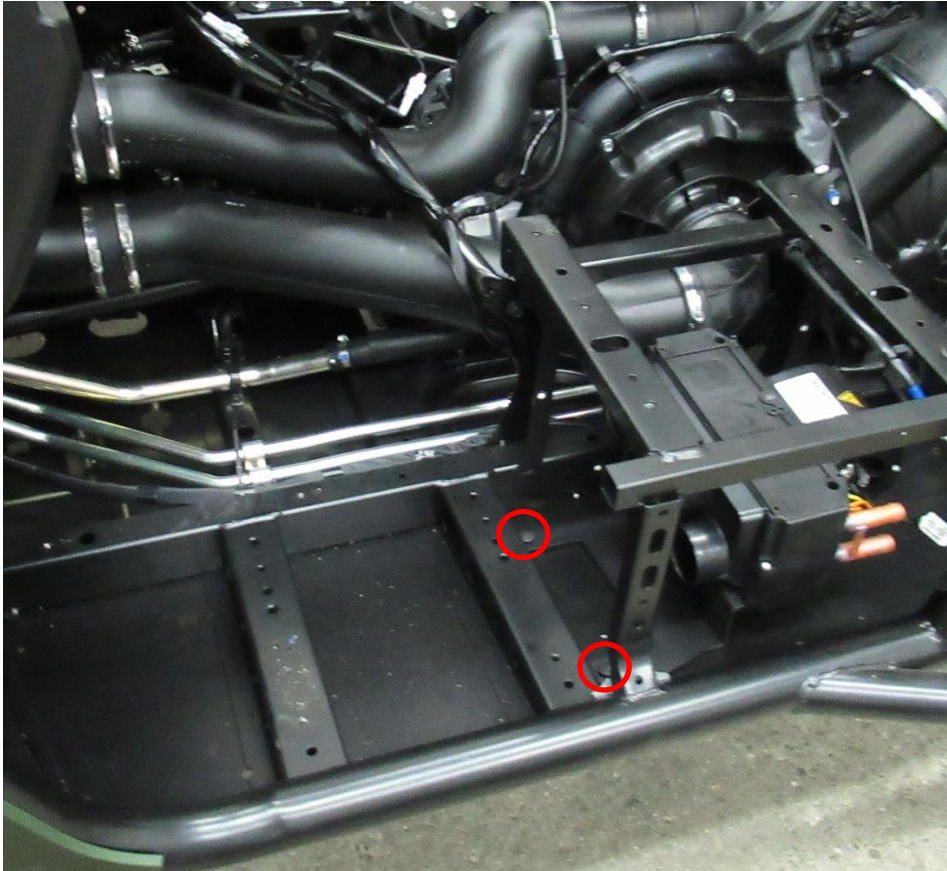


Install the heater with the holder under the driver seat.





Fix the holder with the vehicle by included screws and nuts.



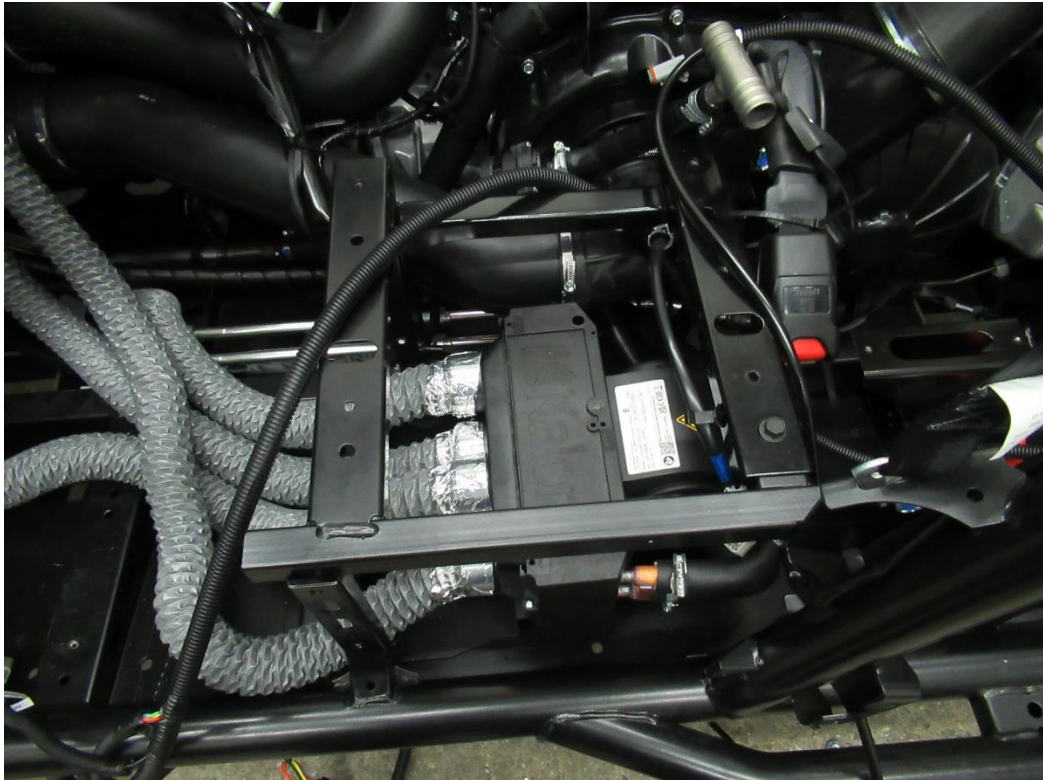
Run the air hoses from the dashboard to the floor tunnel space.



Run the air hoses to the heater through the central tunnel.

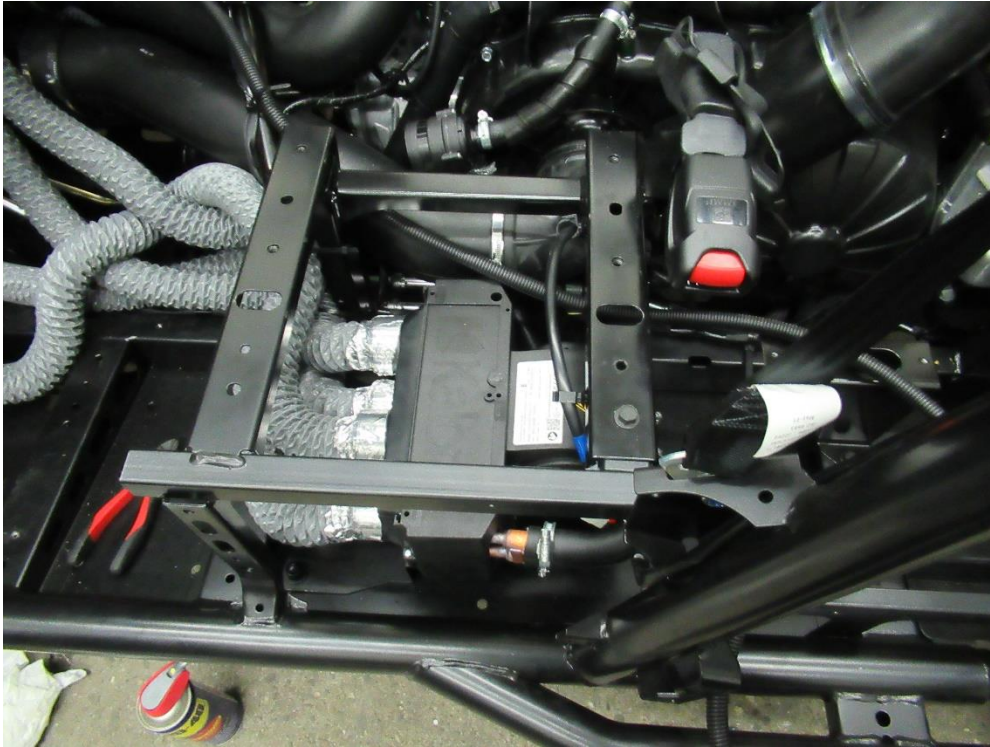


Place 2 shorter air hose into the central tunnel space.



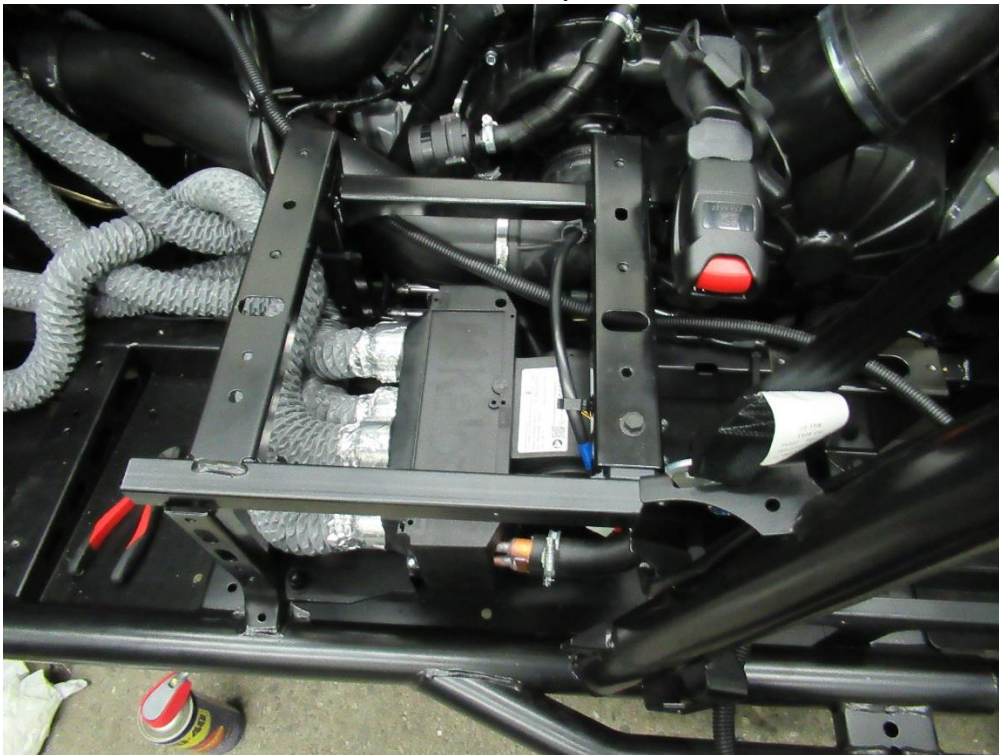


Connect the air hoses with the heater by included al. tape.



16

Connect the heater hoses onto the el. valve and air valve. Secure the hoses with the valves by included tightening rings. Run the heater hoses from the heater space to the central tunnel space.





Install the water pump into the water hose (with el. valve). Secure the pump with the hose by included tightening rings.



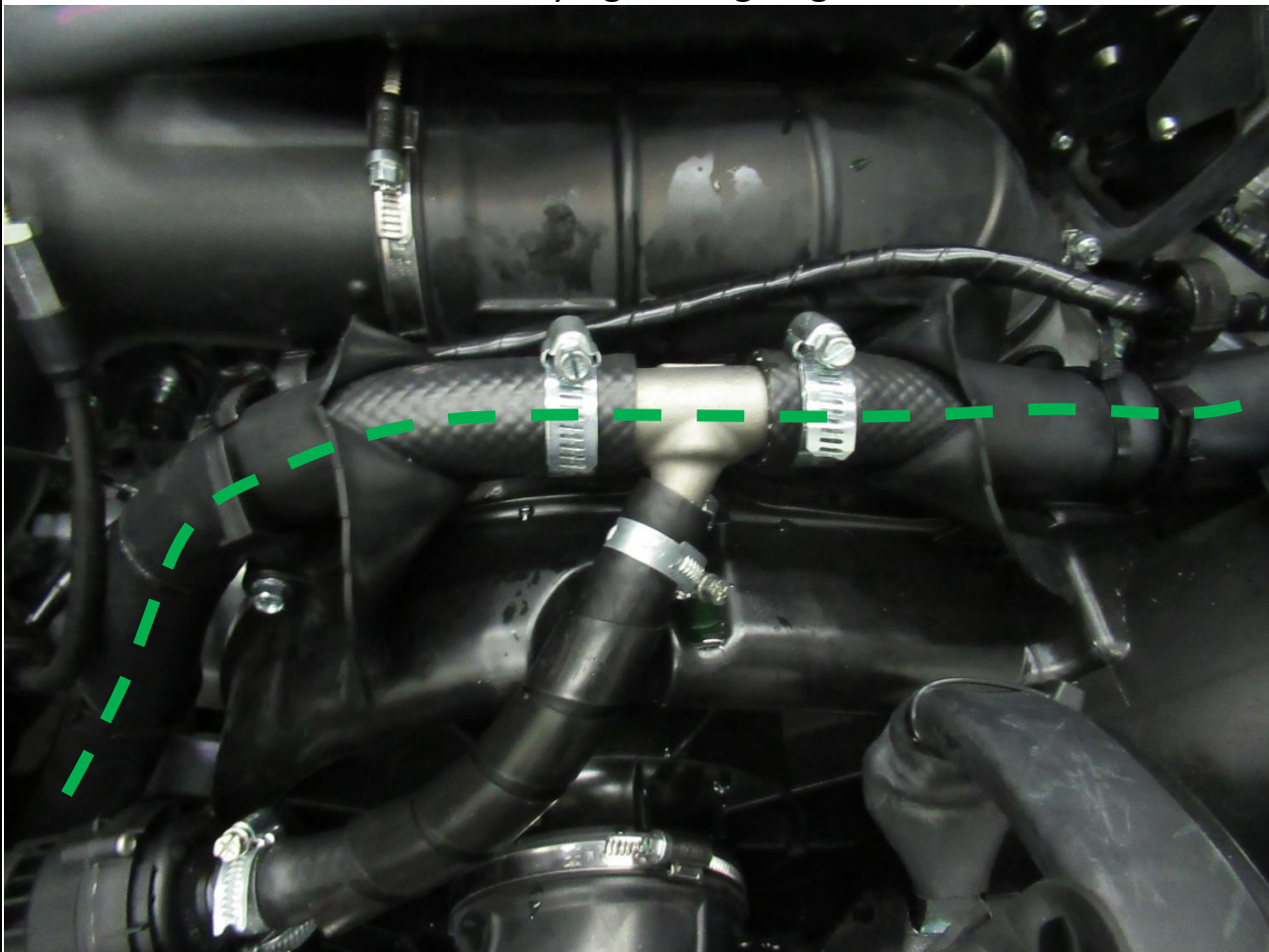
SEE NEXT PAGES

17

**CAUTION**

**DO NOT MANIPULATE WITH ENGINE OR WITH ENGINE COOLING SYSTEM IF THAT PARTS OF MACHINE IS HOT! WHEN ENGINE IS HOT, ANY MANIPULATION CAN RESULT IN SERIOUS BODY INJURY!**

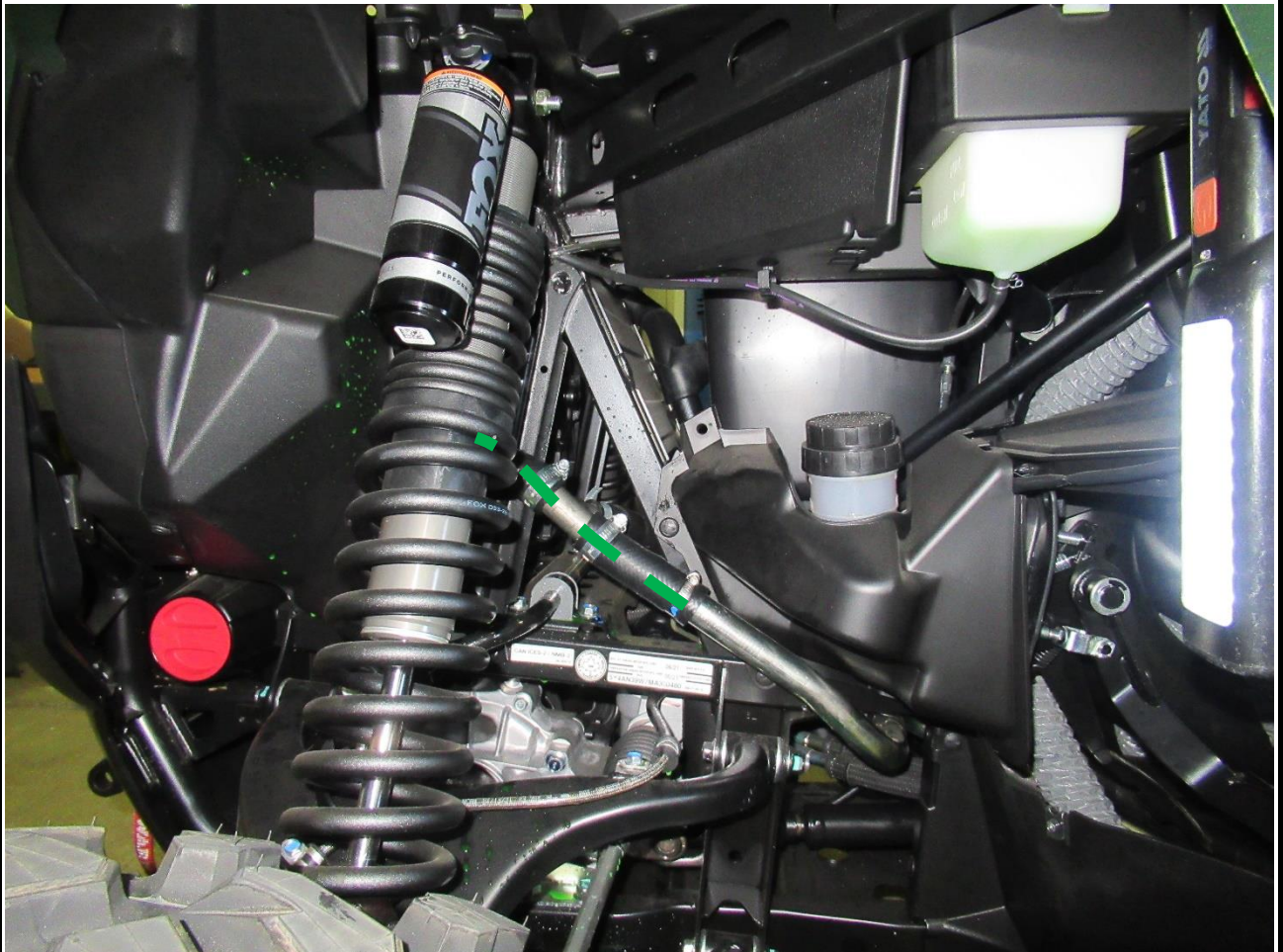
Secure the original engine cooling hose (**green mark**) by clamps or pliers (not included). Cut the cooling hose and insert tightening ring onto the hose. Insert the "Y" tube into the cooling hose. Secure tube with the hoses by tightening rings.



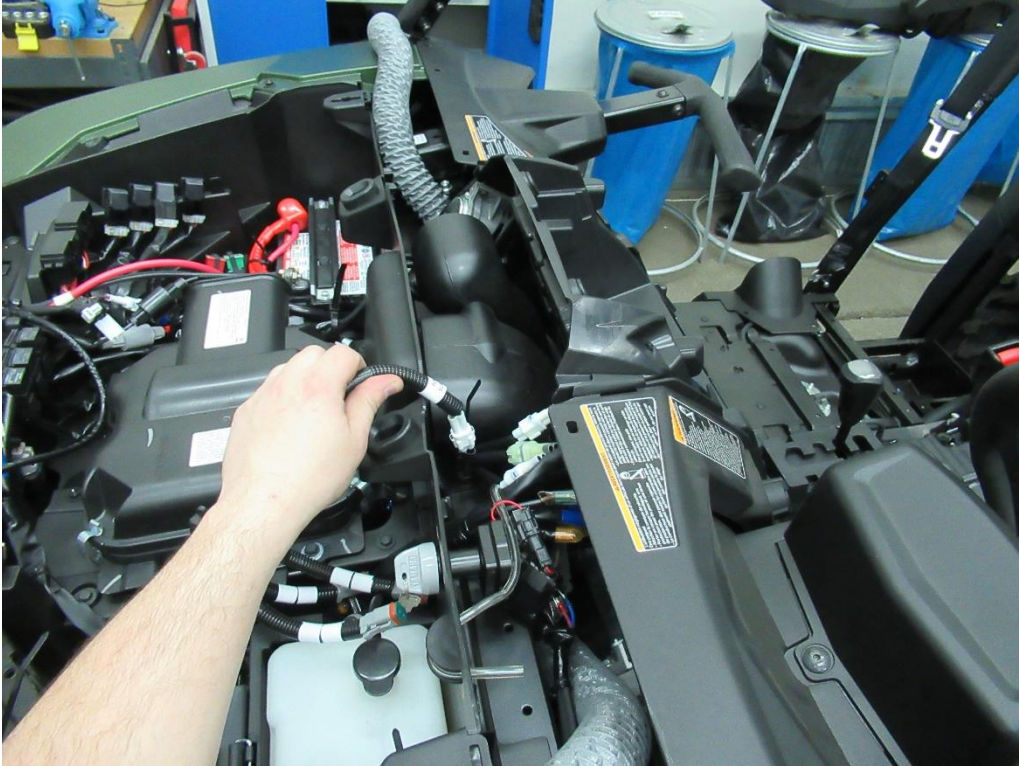


Run the heater hose (with the air vent) through the central tunnel to the original cooling hose.

Secure the original engine cooling hose (**green mark**) by clamps or pliers (not included). Cut the cooling hose and insert tightening ring onto the hose. Insert the "Y" tube into the cooling hose. Secure tube with the hoses by tightening rings.



Insert the heater harness into the front dashboard space.

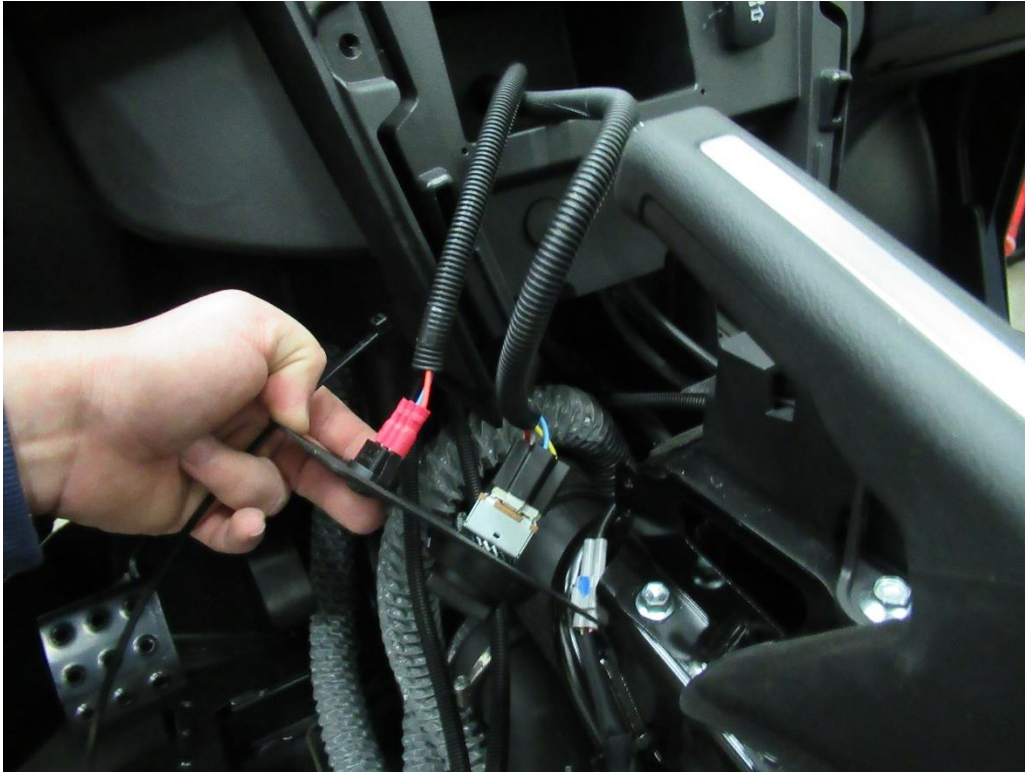


20 Run the heater harness from the dashboard space to the central tunnel space. Drill hole  $\varnothing 25\text{mm}$  into the dashboard. Run the heater harness through the hole.

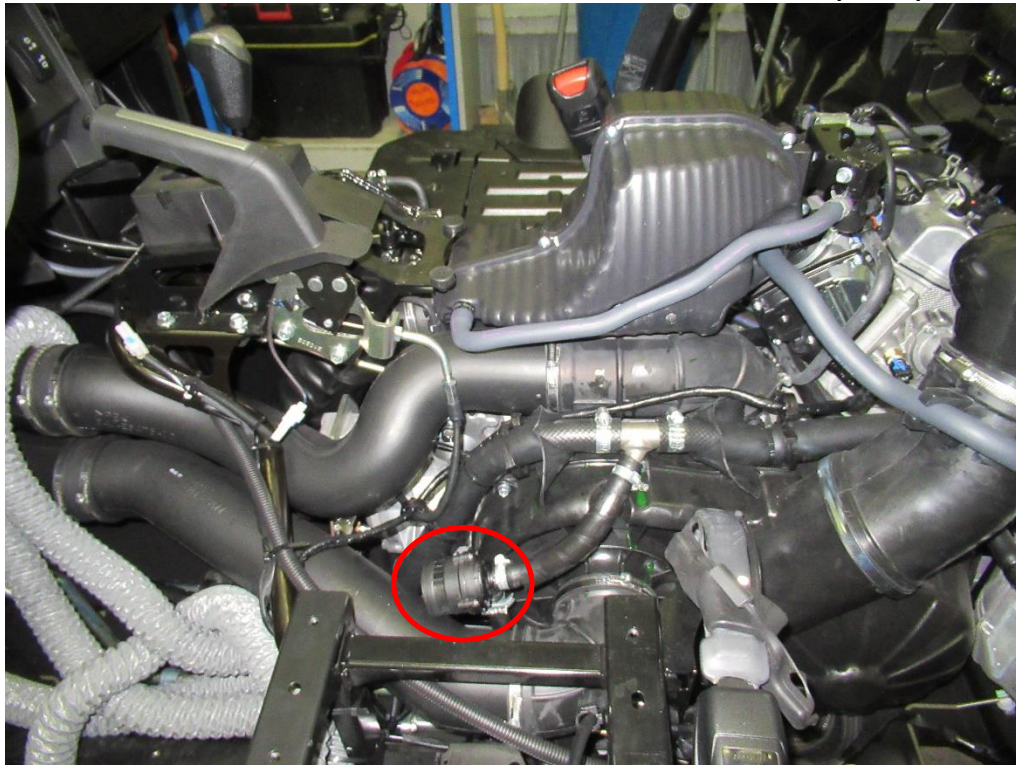




Connect the heater harness with the switches.



Run the heater hose through the central tunnel to the water pump.  
Connect the heater harness with the water pump.



Connect the heater harness with the el. valve.



Connect the heater harness with the heater.

Place the switch holder onto the dashboard and secure the holder by included screws.





Install the driver side floor cover back to position. Cut the hole  $\varnothing$  75 into the tunnel cover and run the air hose through the hole. Repeat on second side.



Run the air hose through the hole. Insert the air vent onto the air hose. Secure the hose with the vent by included tightening strap.





Repeat previous steps with the next vents.

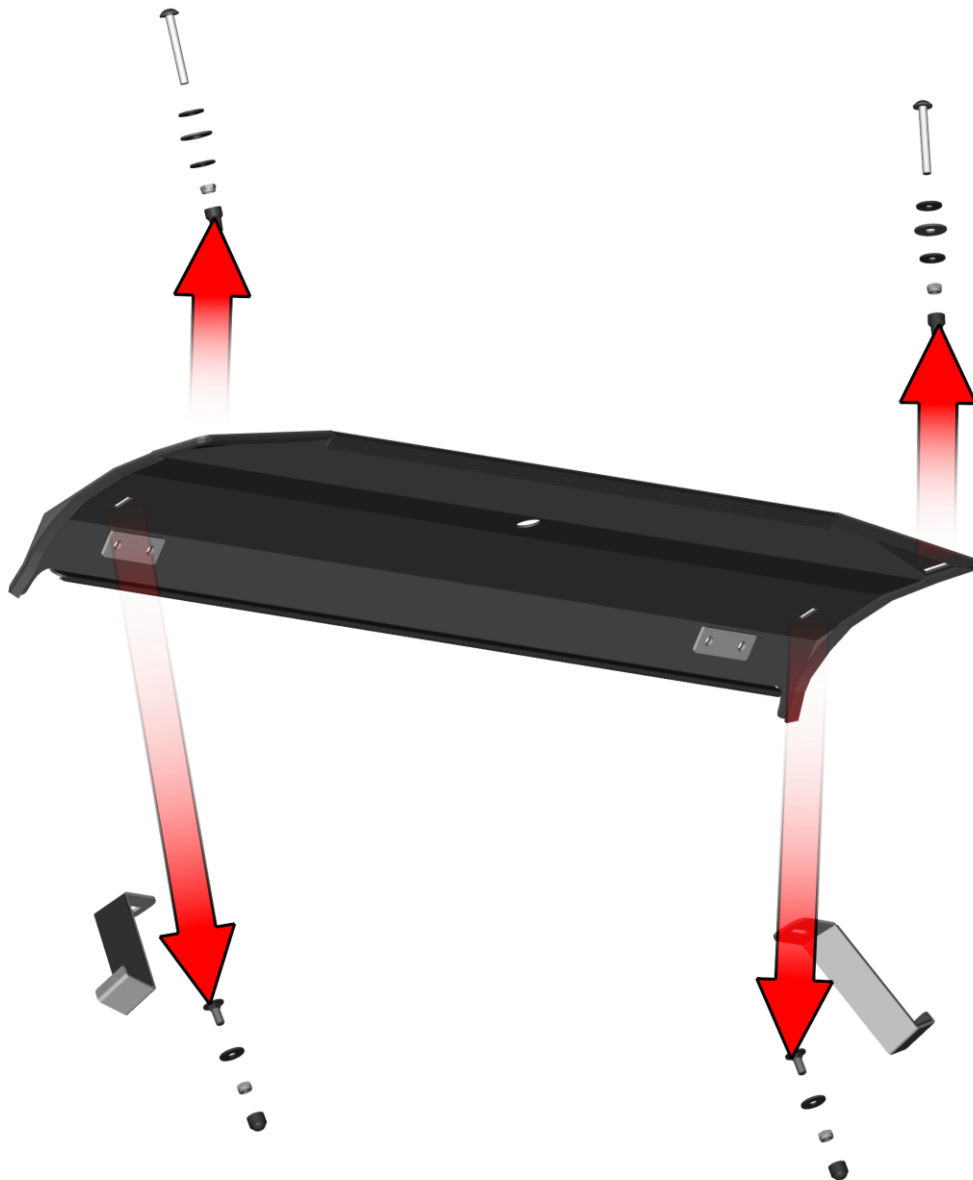


Install central tunnel covers back to vehicle.



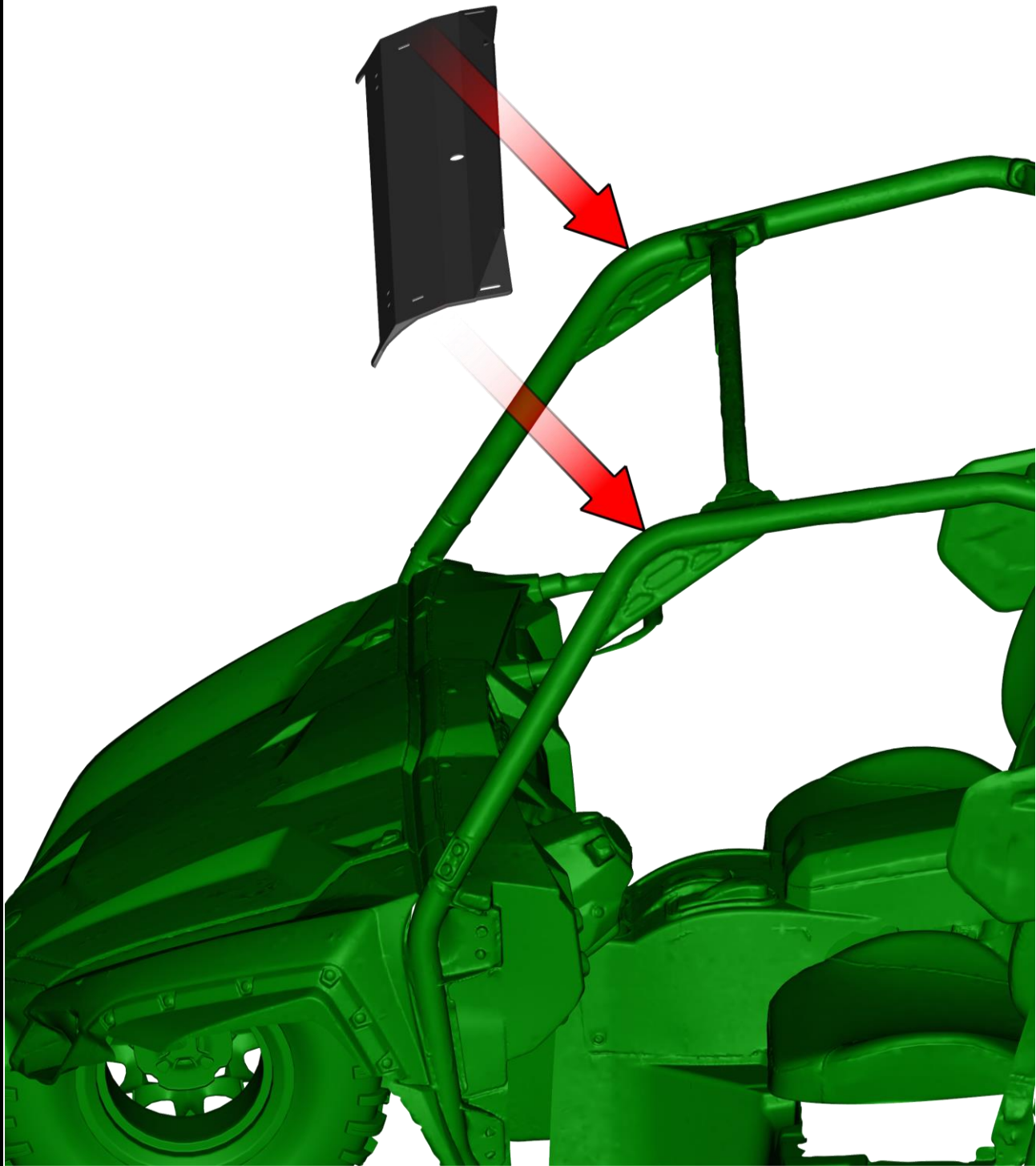
### FRONT PANEL

Uninstall the holders and the fixing assemblies from the front upper ledge.



25

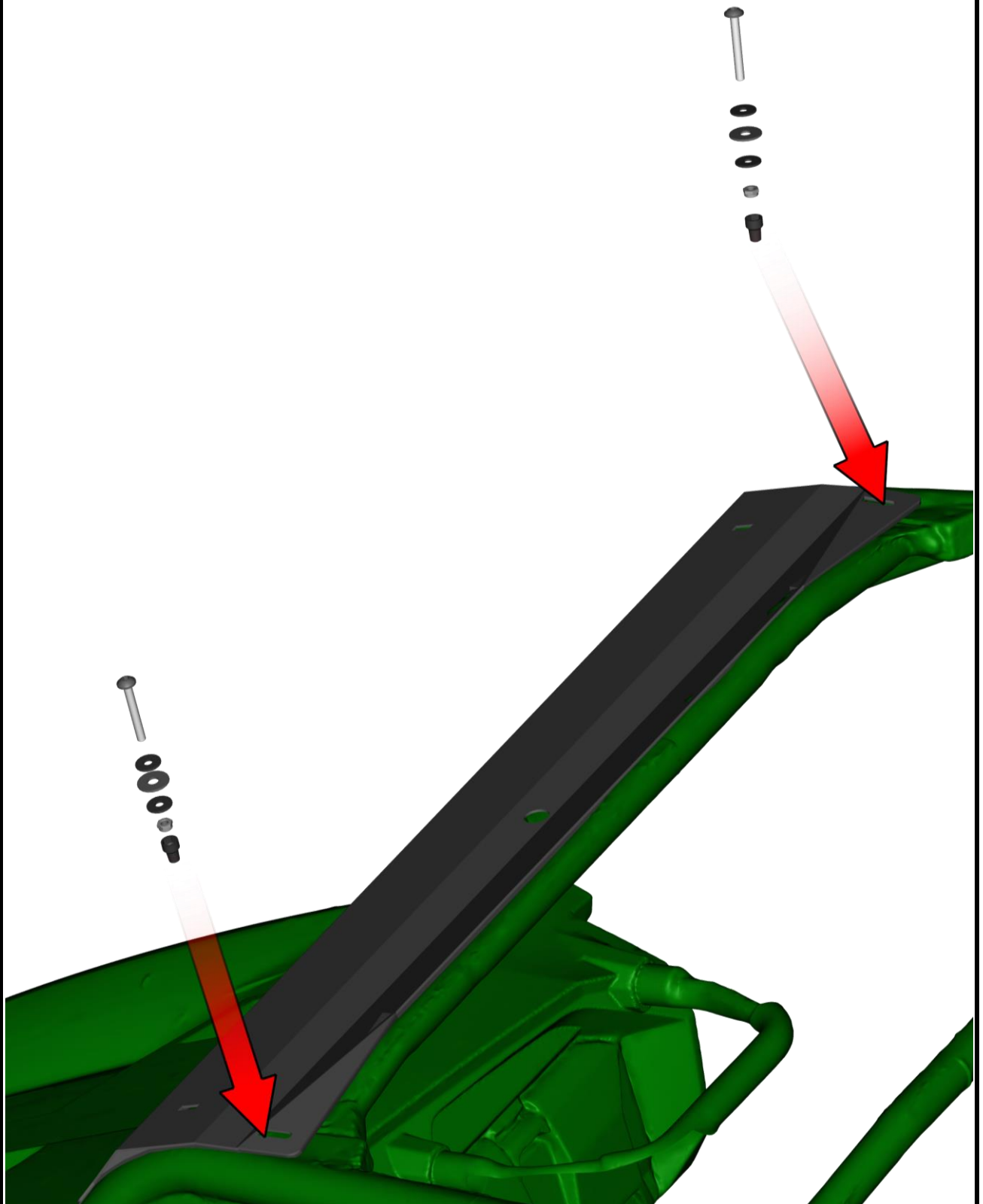
Place the front upper ledge onto the vehicle frame.



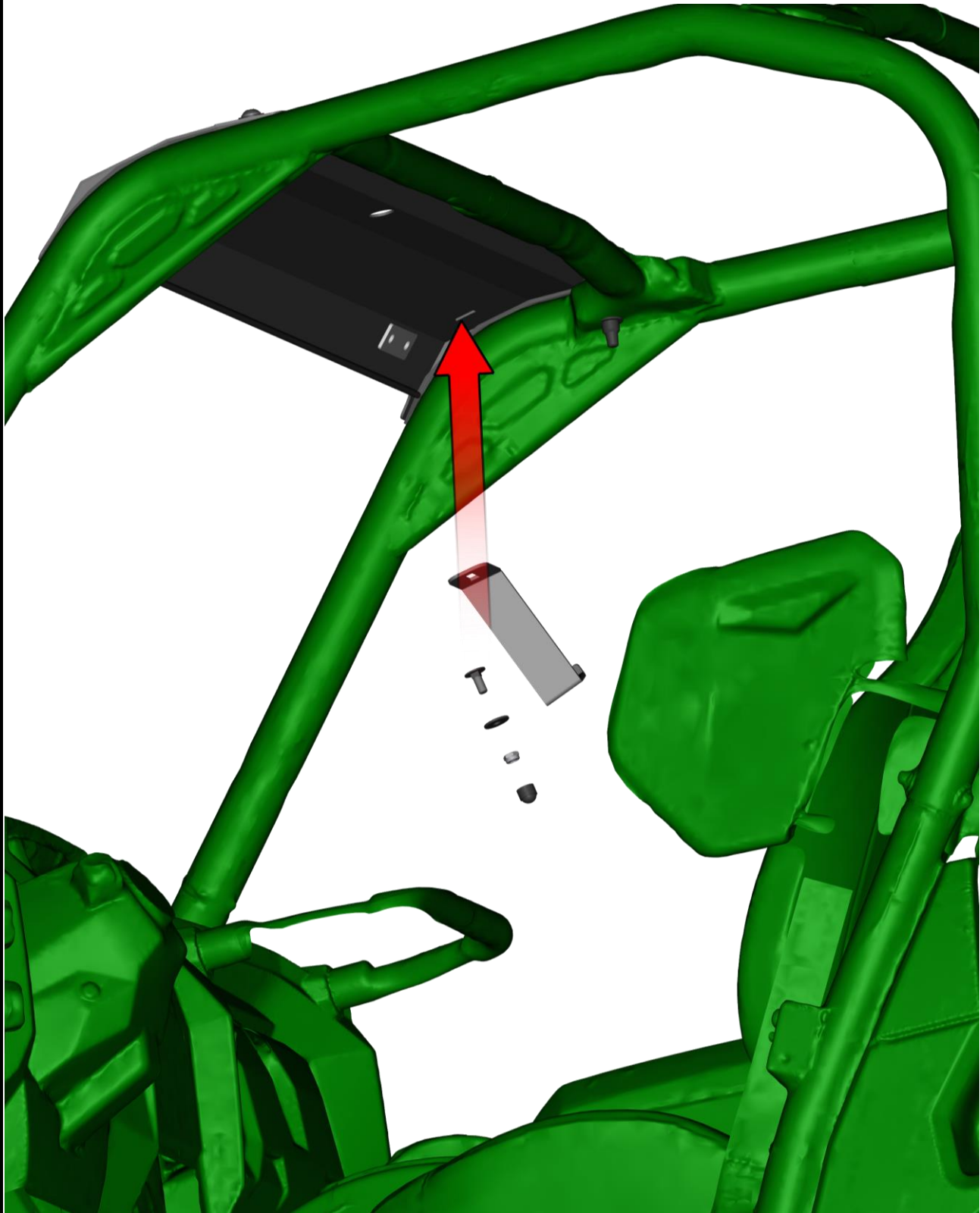
26



Fix the ledge with the frame by included screws, washers, nuts and covers.



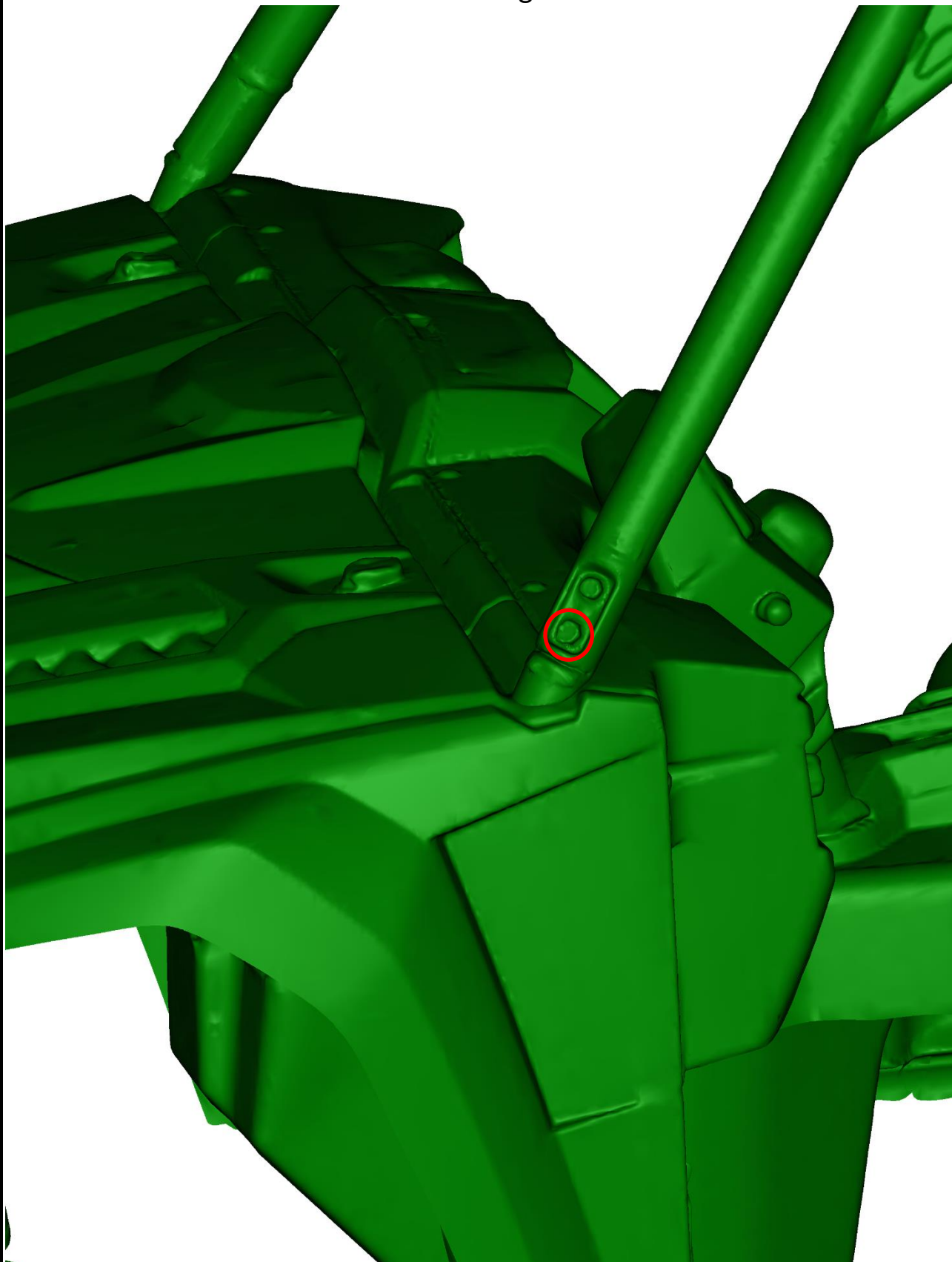
Place the upper holders onto the frame and onto the ledge.  
Fix the holders with the ledge to the frame by included screws, washers,  
nuts and covers.



28

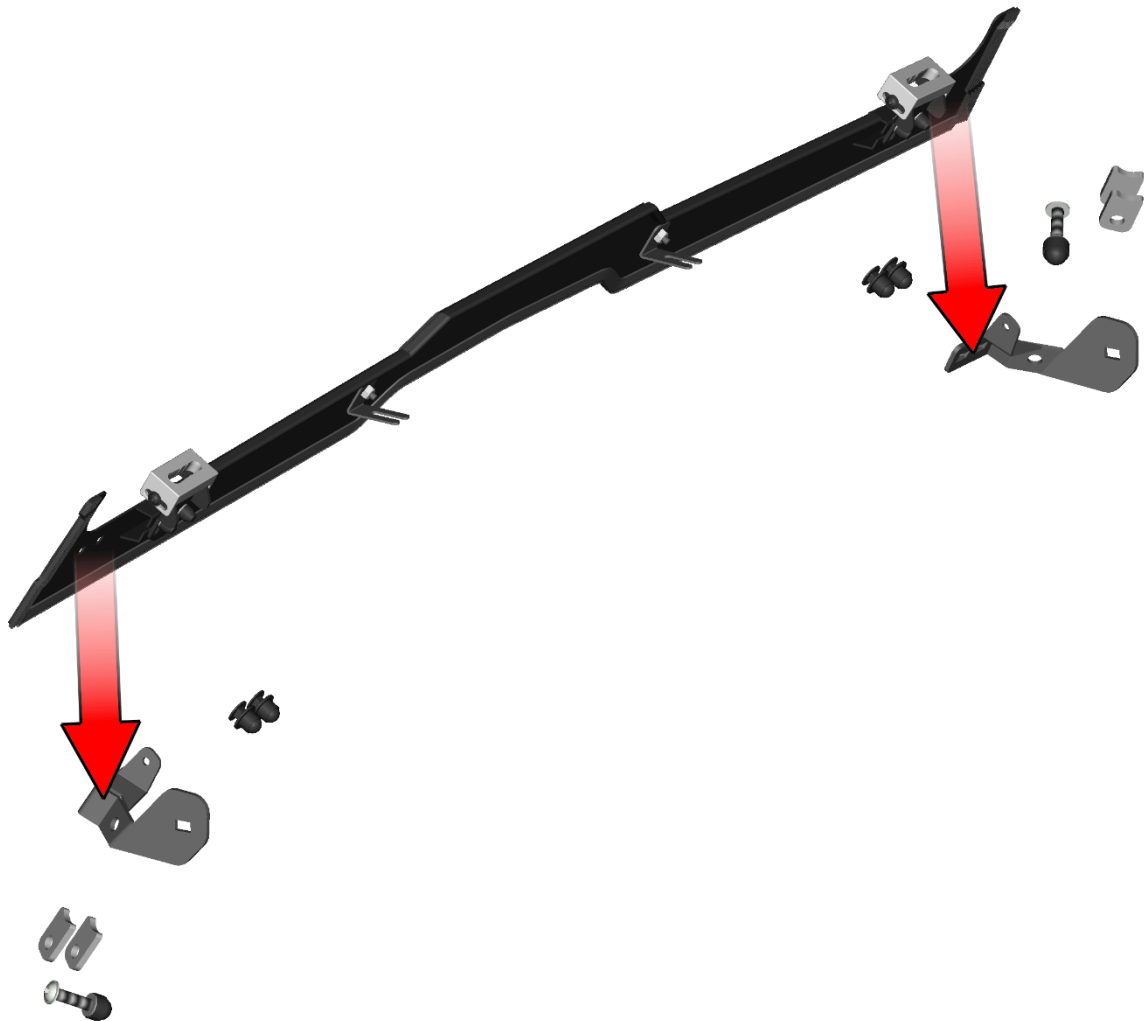


Uninstall the frame bottom original screw on both side.



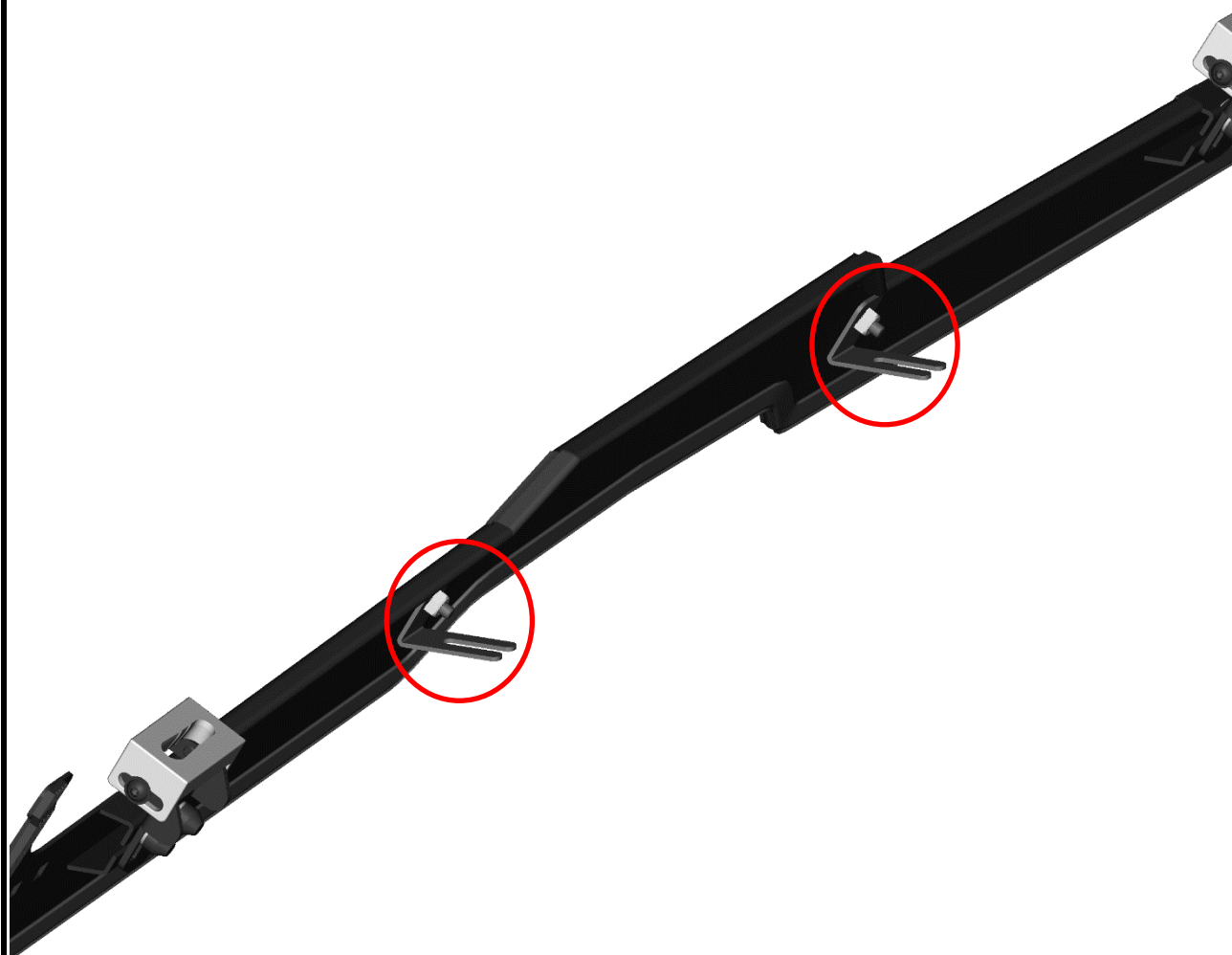
29

Uninstall the holders assemblies from the front bottom ledges.



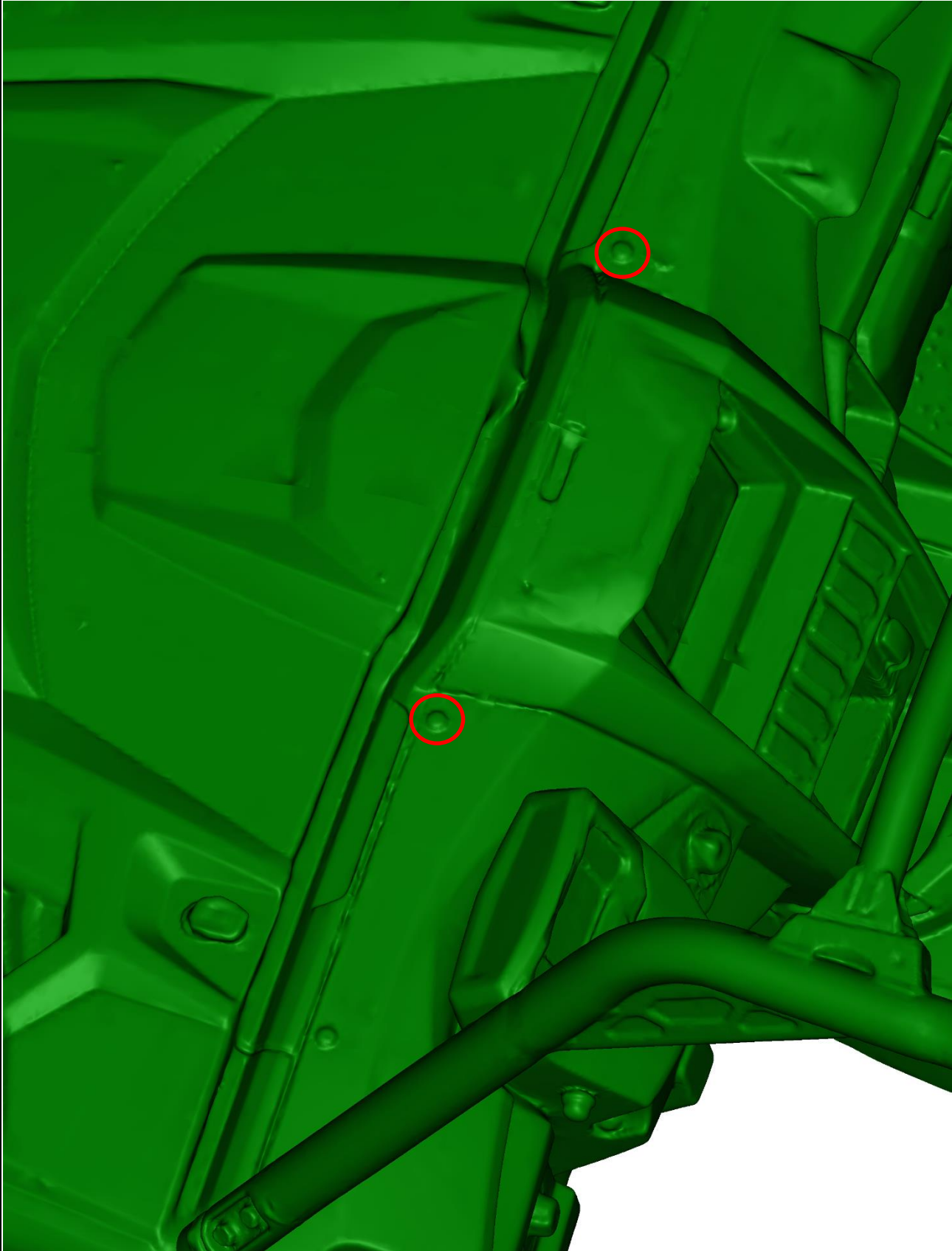


Loose the central holder screws.



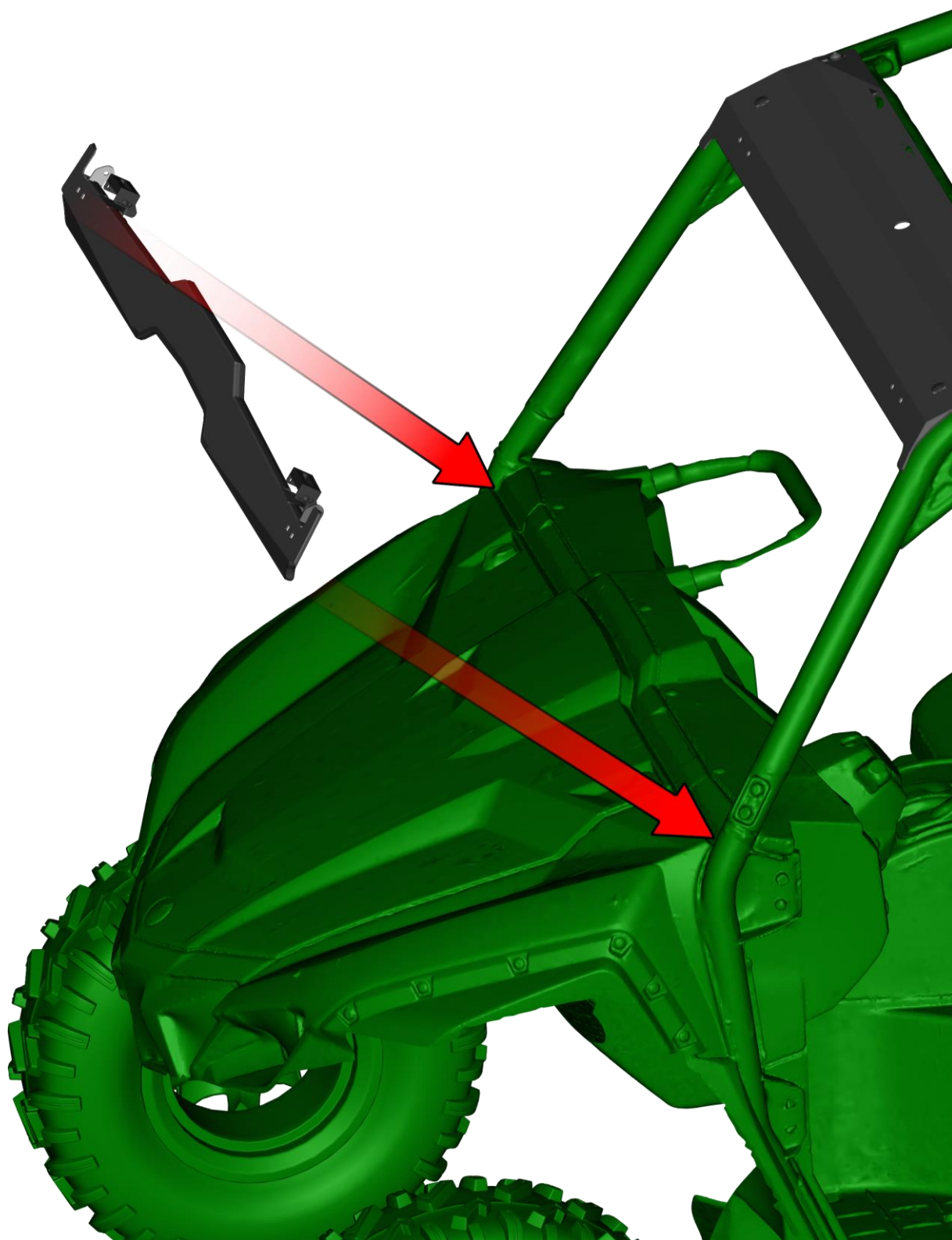
31

Loose original plastic rivets.





Place the front bottom ledge onto the vehicle dashboard.



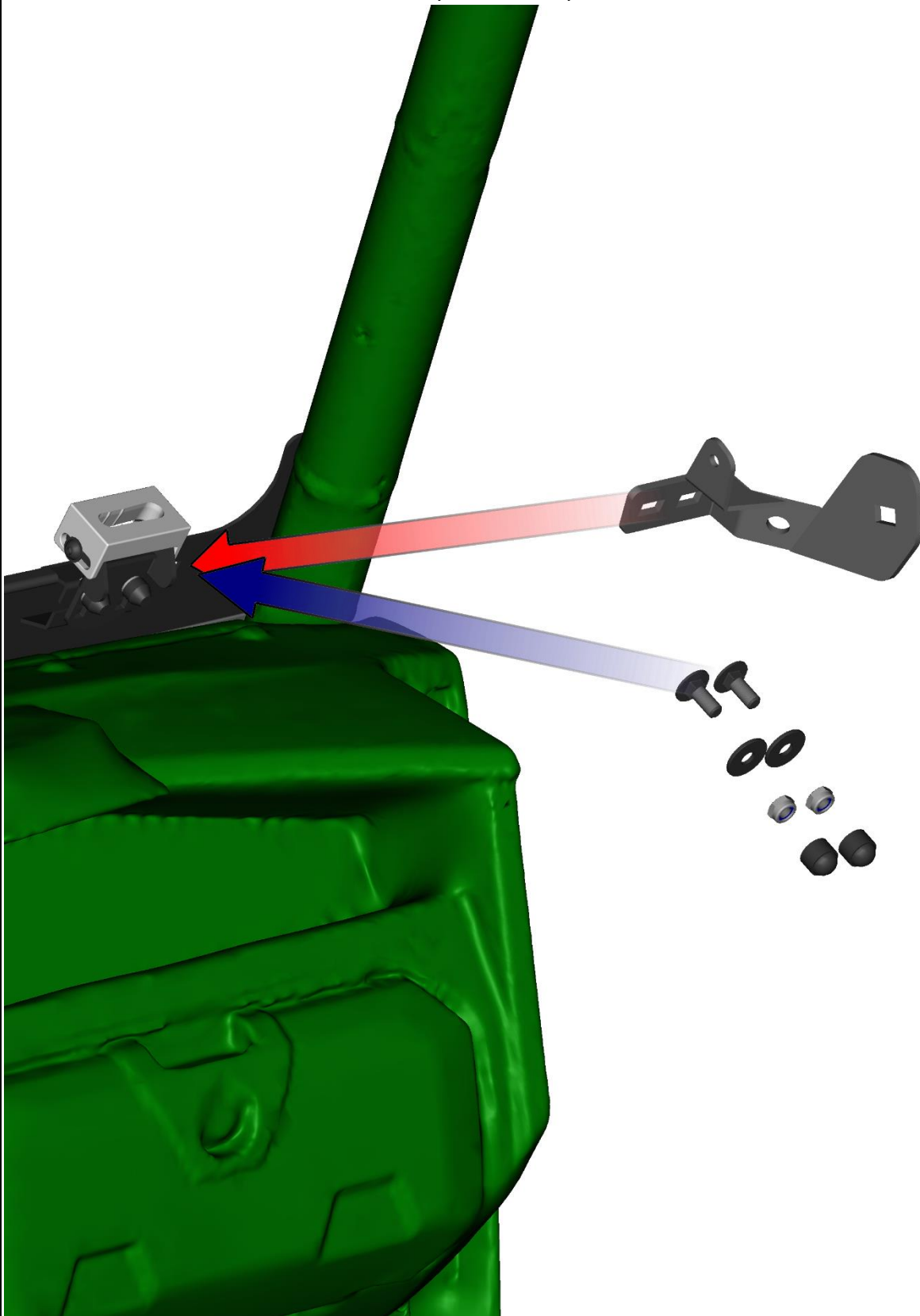
33

Push the central holder under the original plastic rivet.





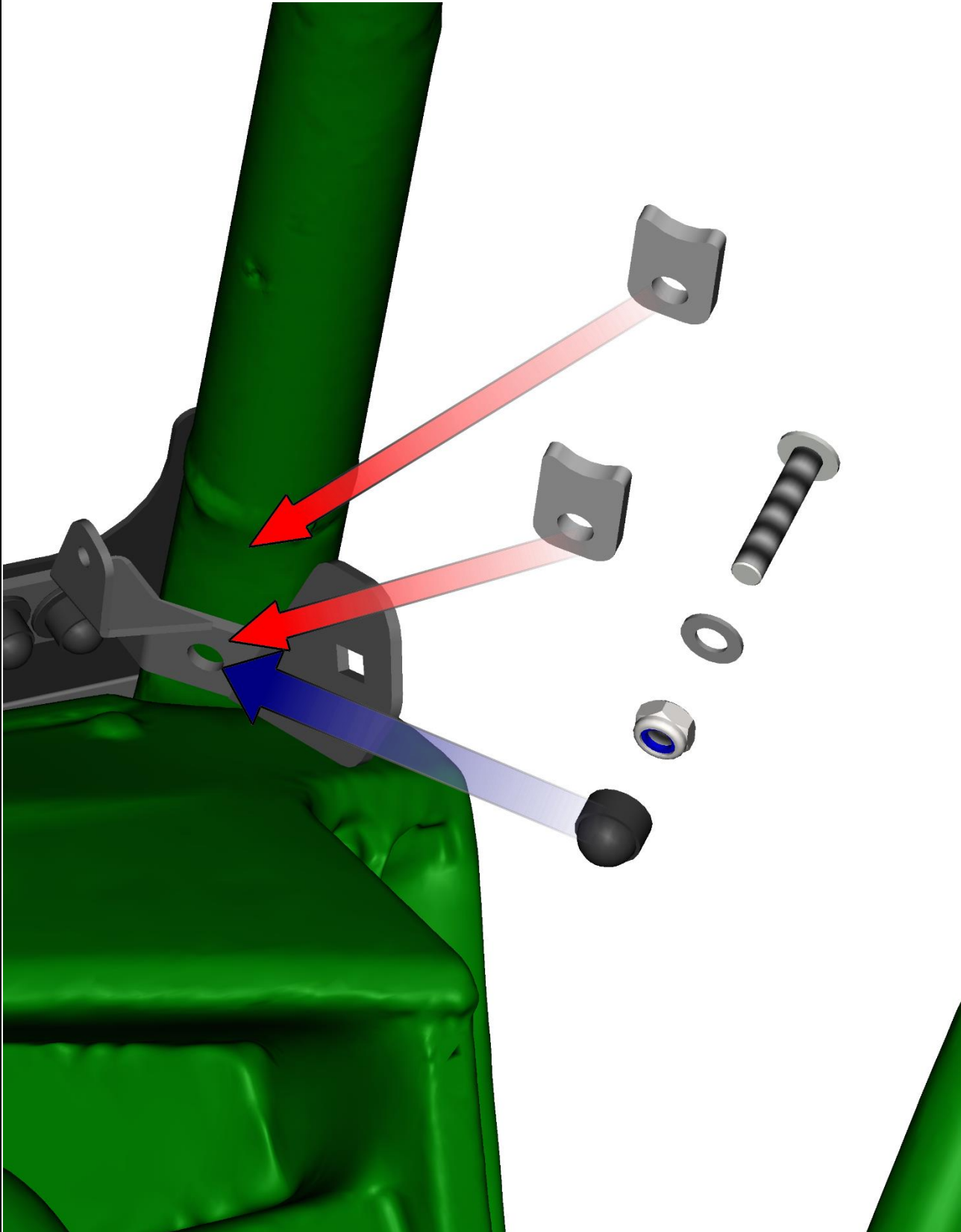
Place the holders onto the ledge and fix the holders with the ledge by included screws, washers, nuts and covers.



35

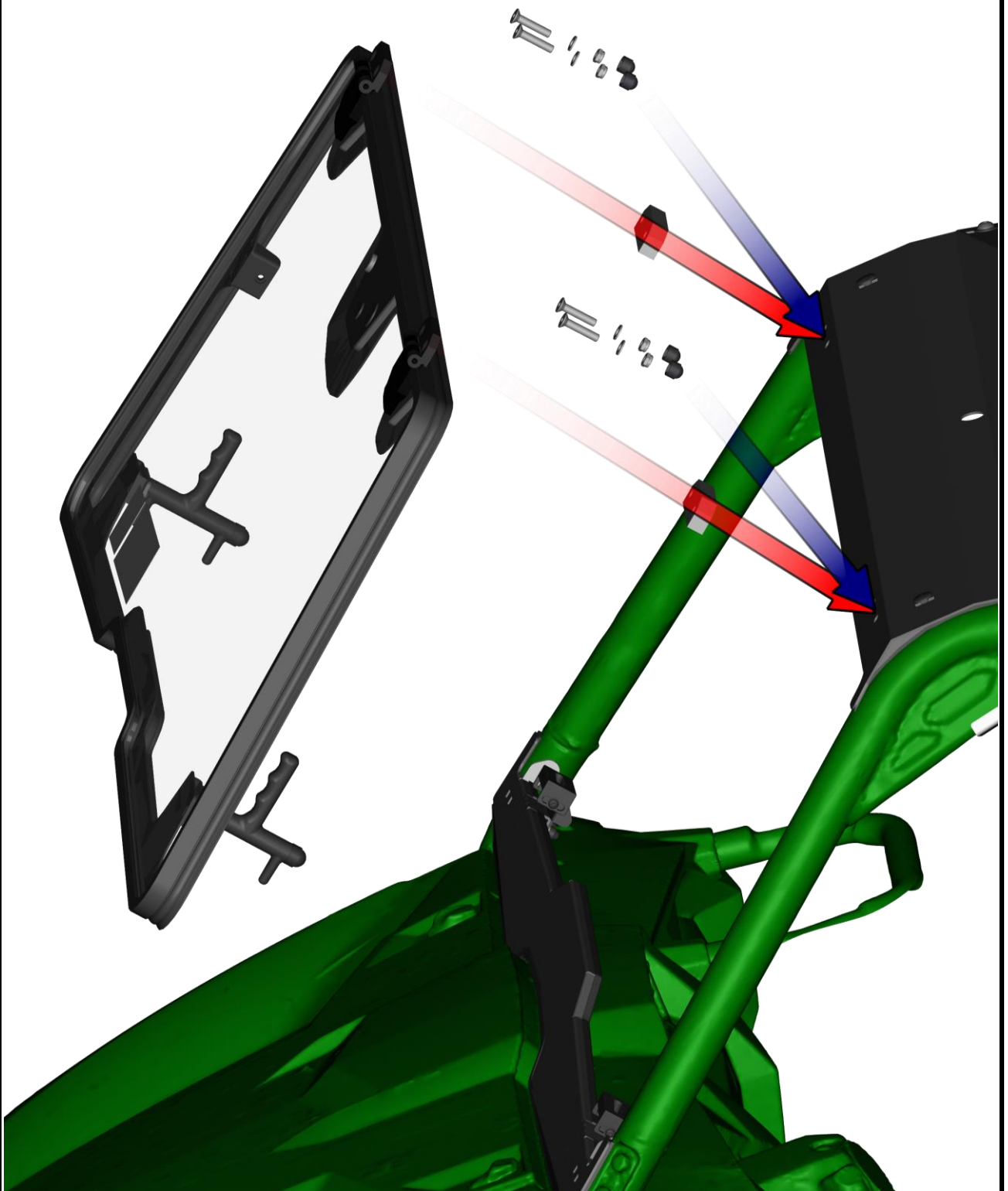
Insert spacers into the frame pockets. Fix the holder with the frame by included screw, washer, nut and cover. Repeat on the second side.

36



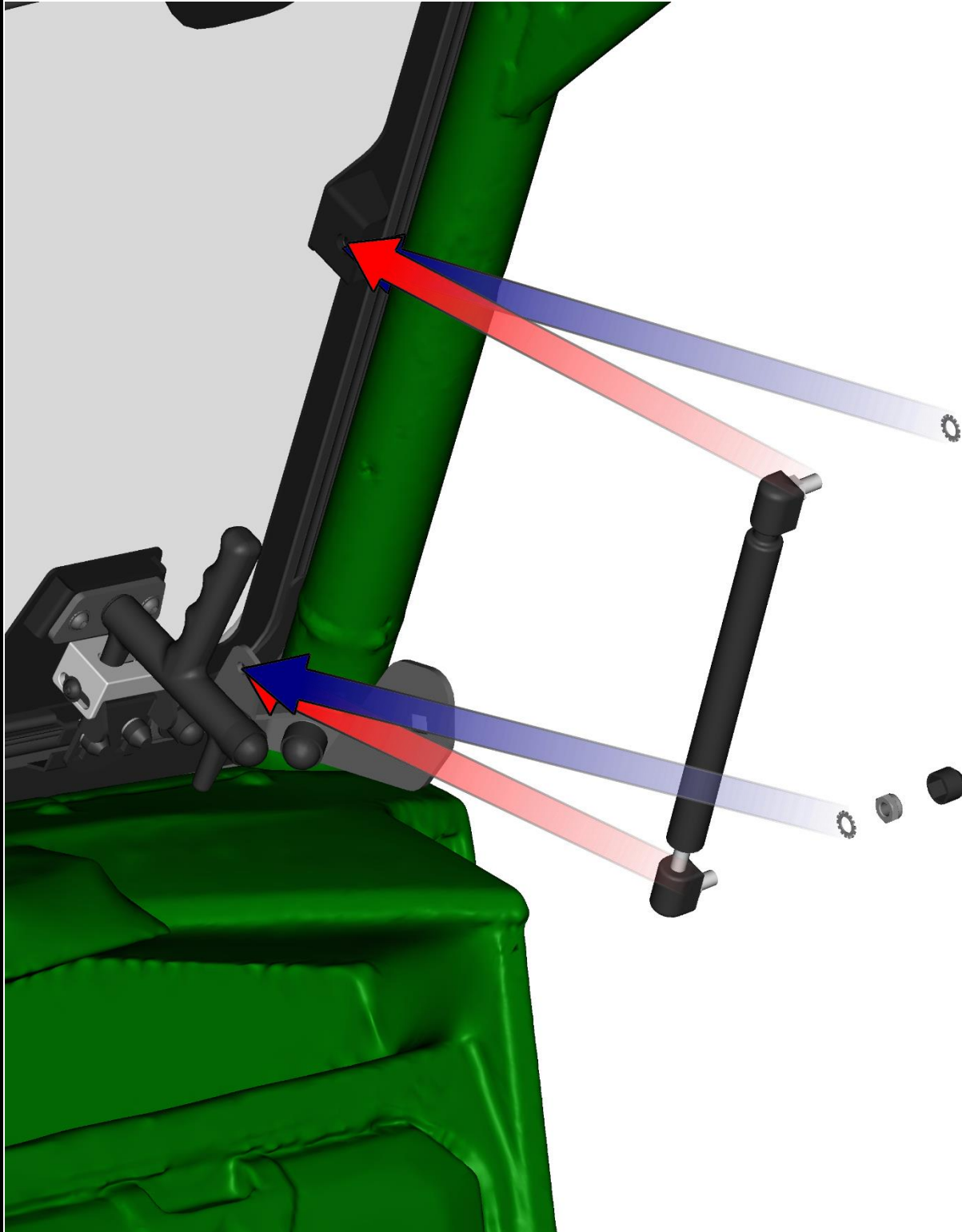


Place the window with the hinge bases onto the front upper ledge.  
Fix the hinges with the bases to the front upper ledge by included screws,  
washers, nuts and covers.



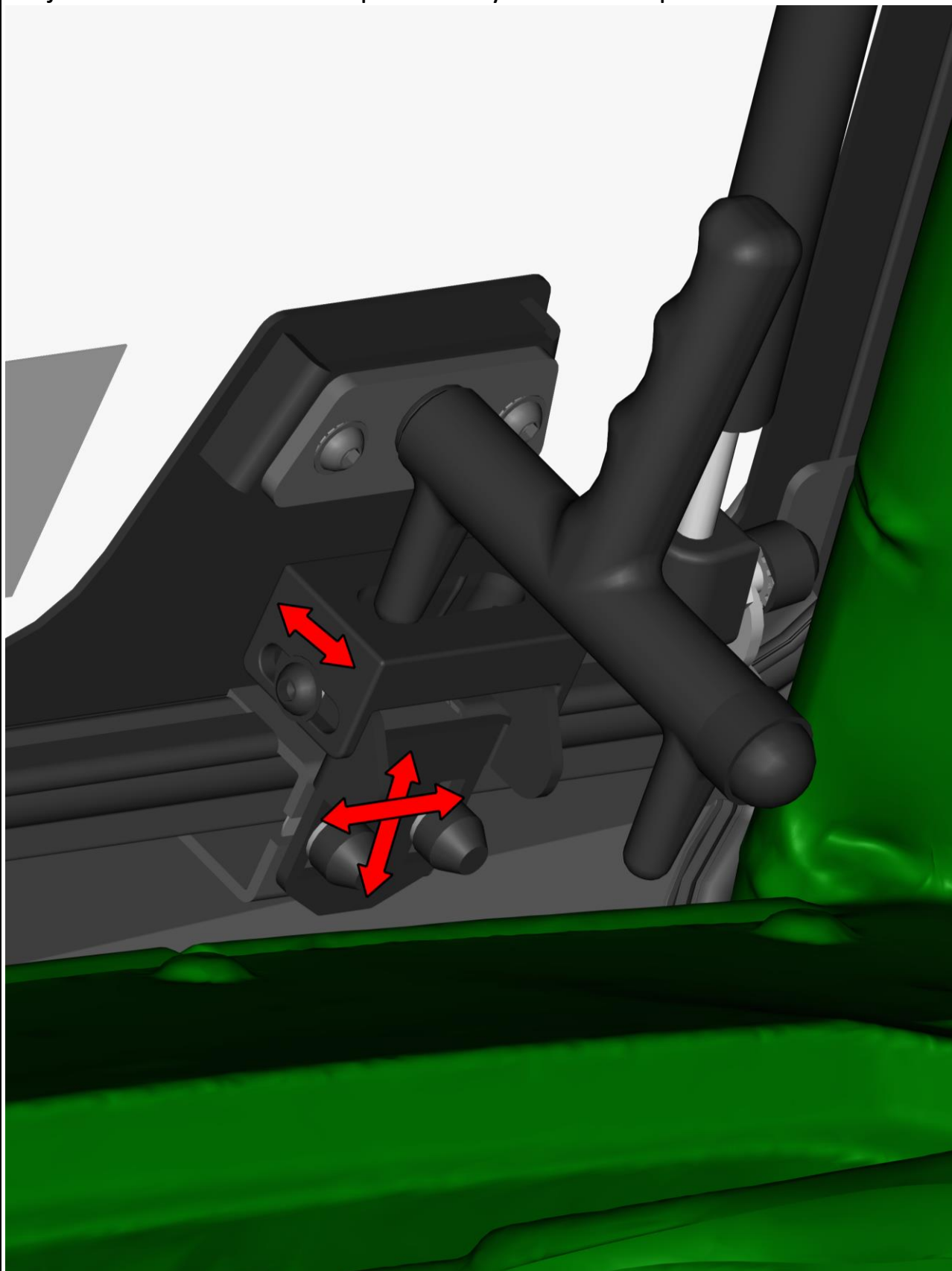
37

Install the gas spring into the gas spring holders. Secure gas spring pins by included nuts, washers and covers. Repeat on the second side. **It is very important to install gas springs in same orientation like on the picture (slim part down).**





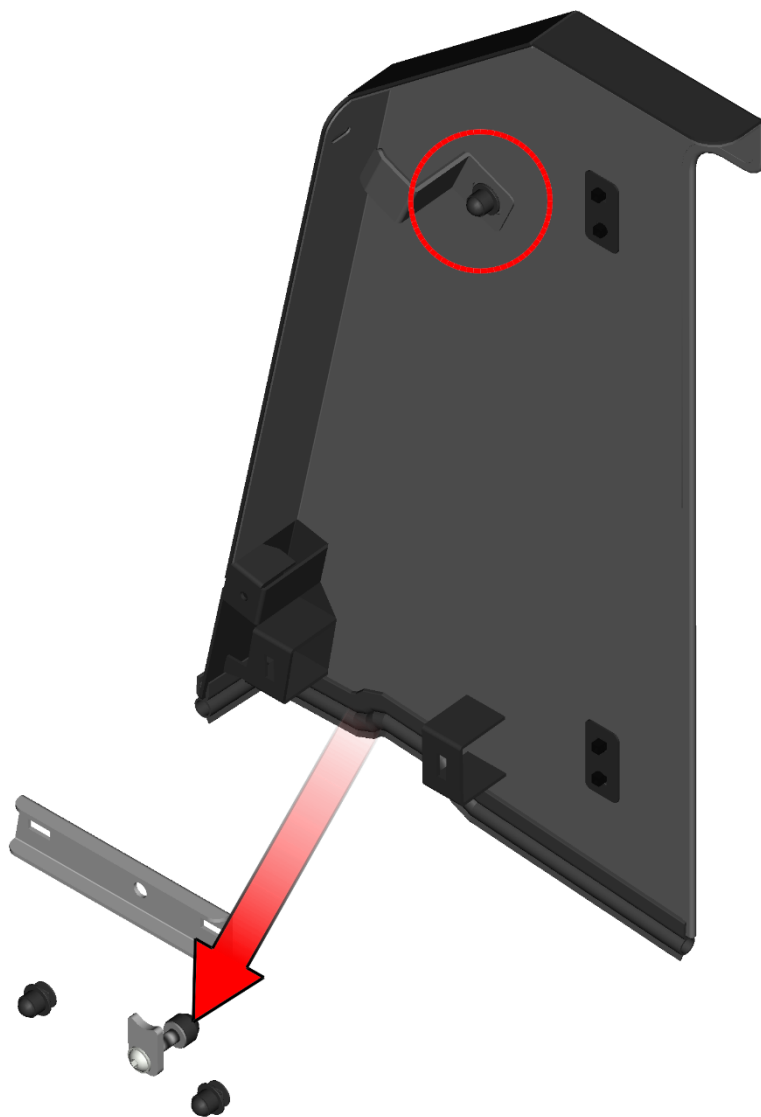
Adjust the front handle stop assembly to the best position on both sides.



39

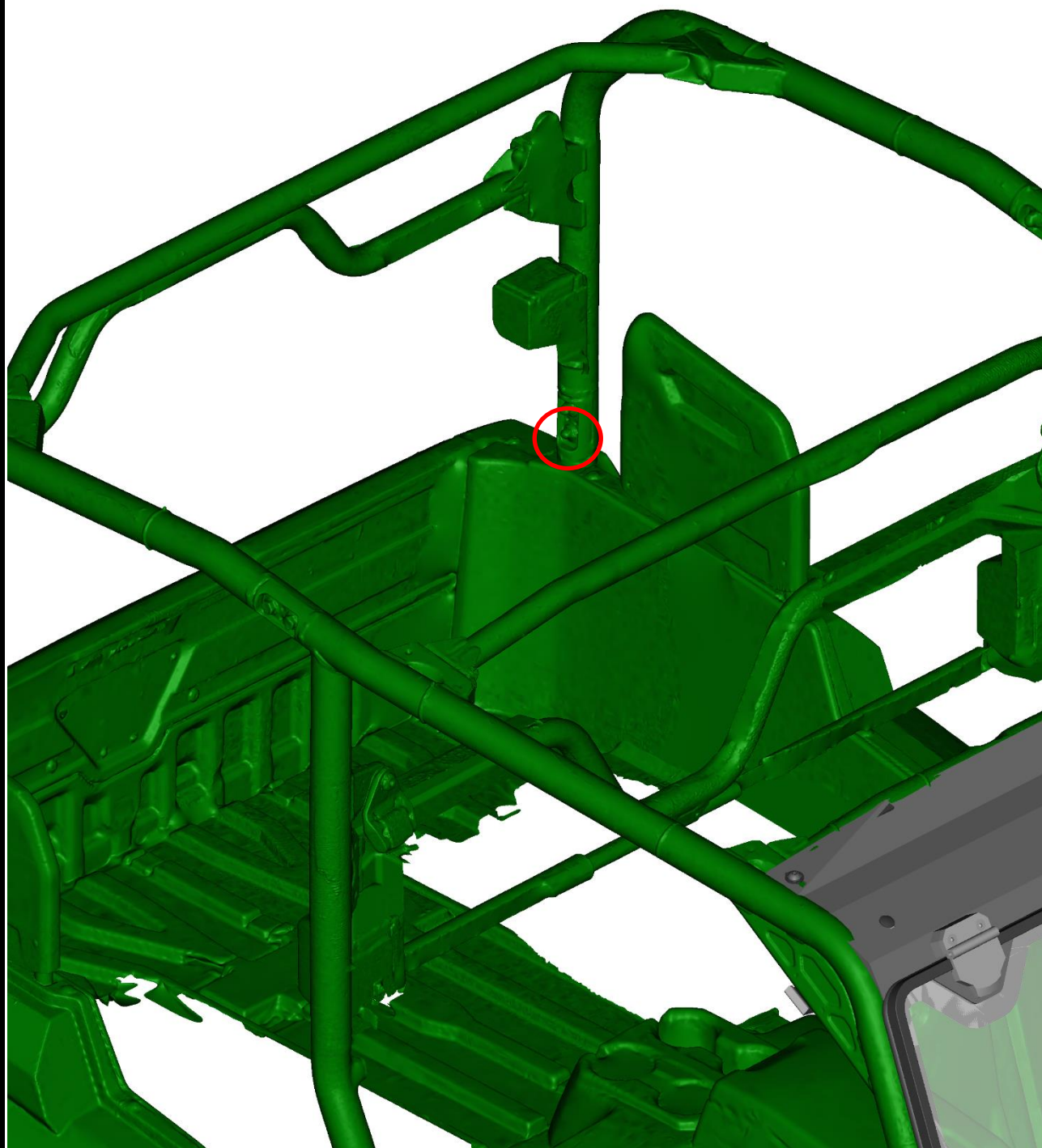
### REAR PANEL

Uninstall base holder assembly from the door base. Loose the upper base holder.



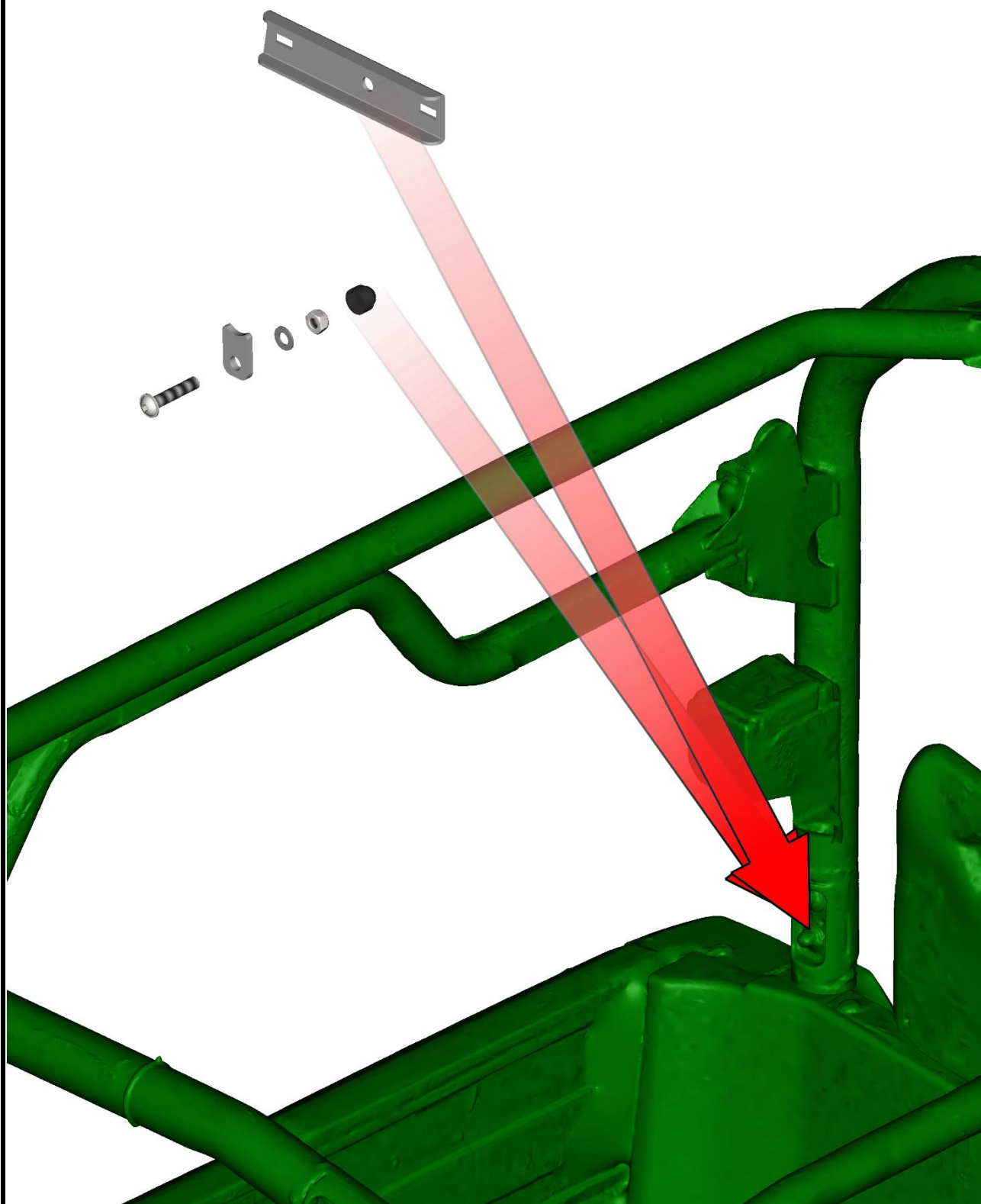


Uninstall original screw and washer from the rear vehicle frame.

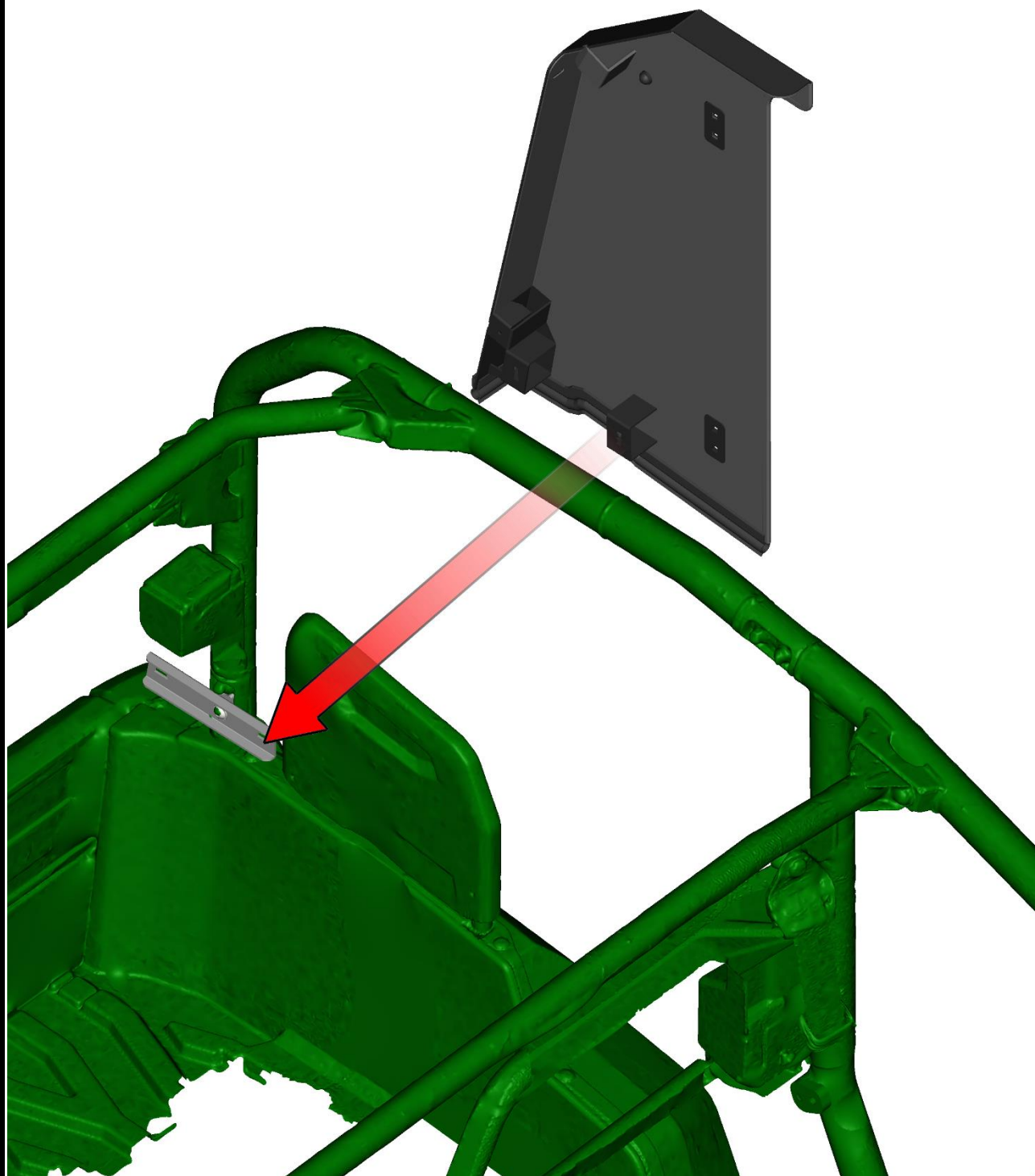


41

Place the base holder onto the frame. Fix the frame with the holder by included screw, washer, nut and cover.



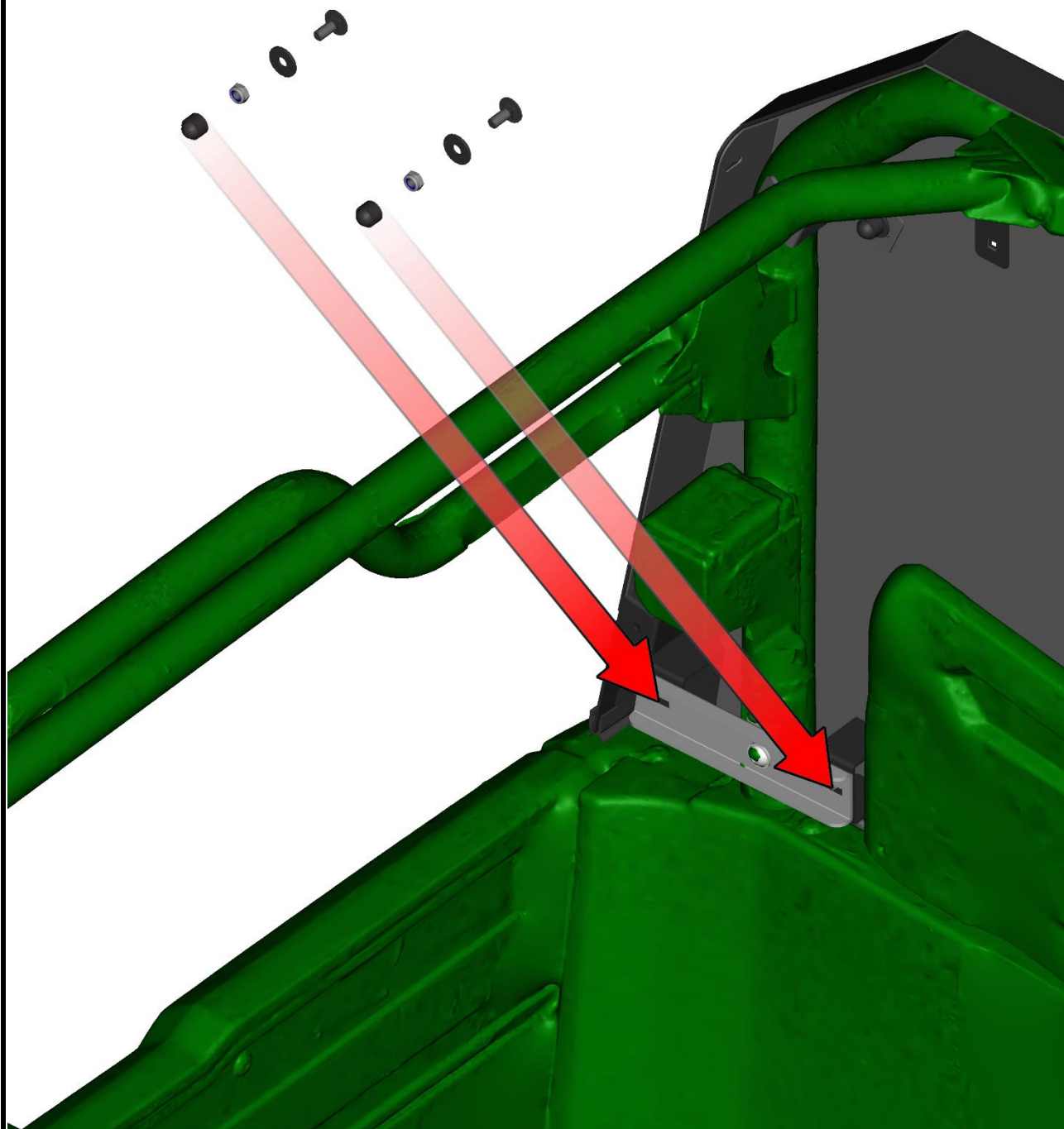
Place the door base onto the vehicle frame.



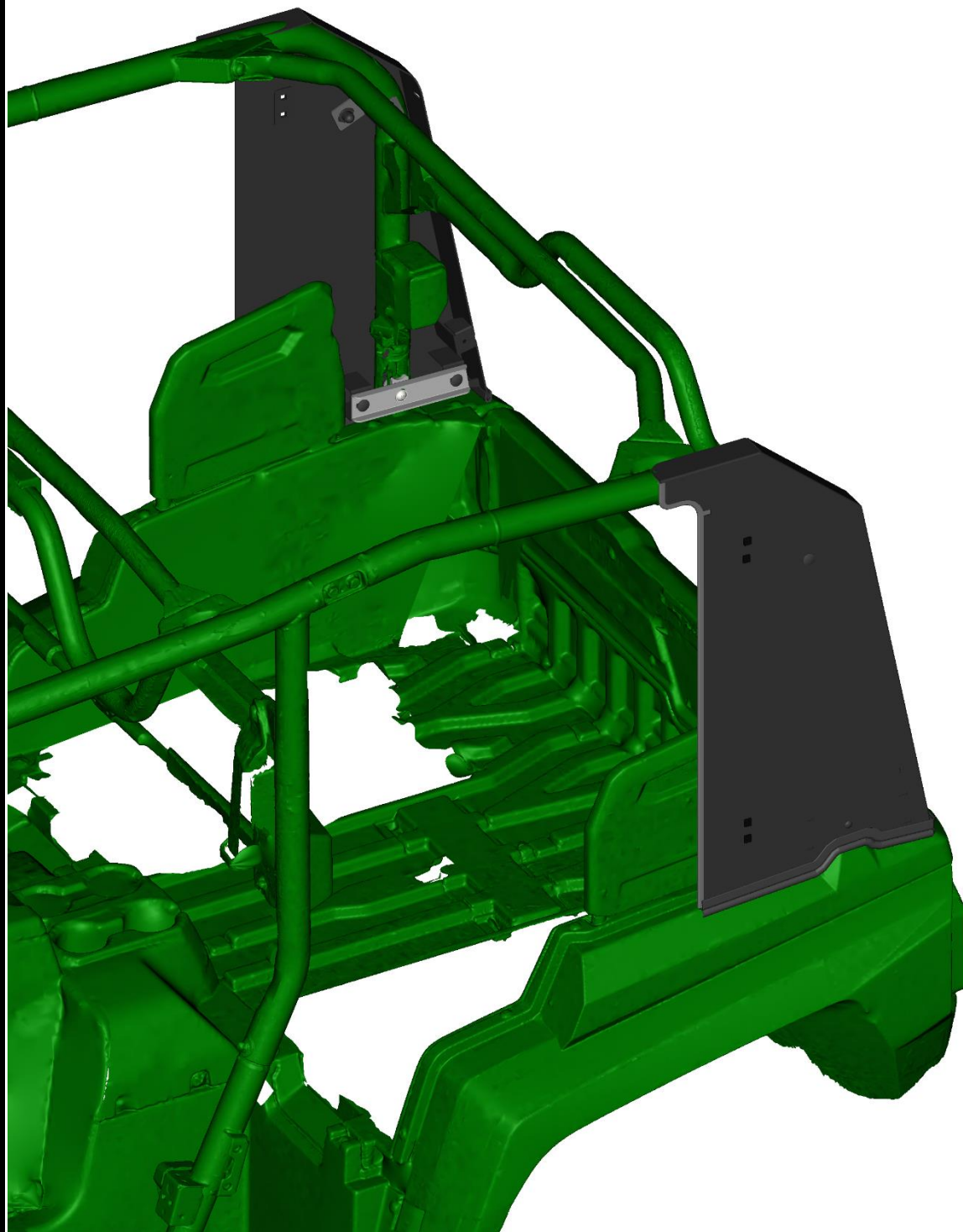
43



Fix the door base with the base holder  
by included screws, washers, nuts and covers.



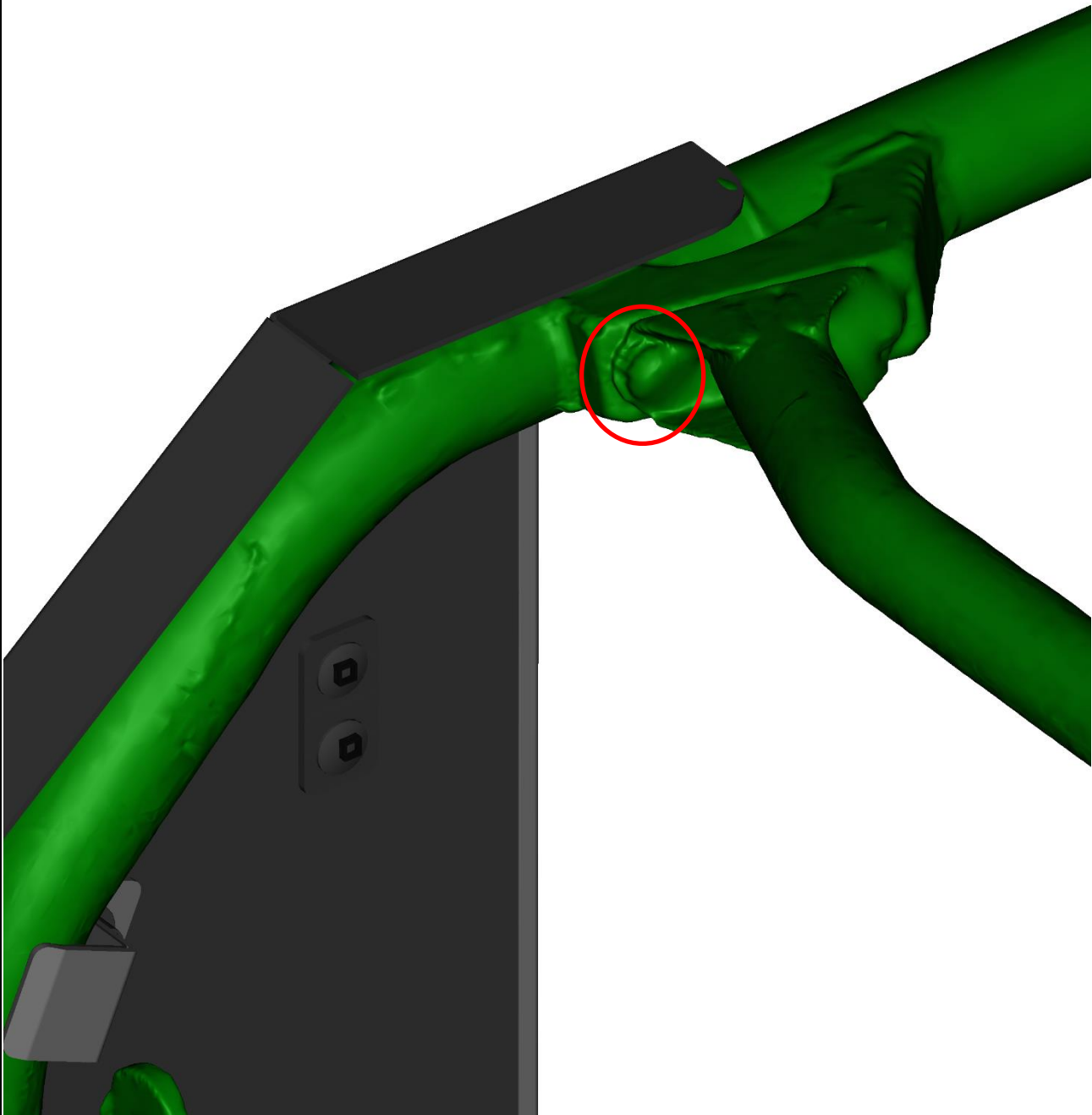
Repeat previous steps on the next side of the vehicle.



45

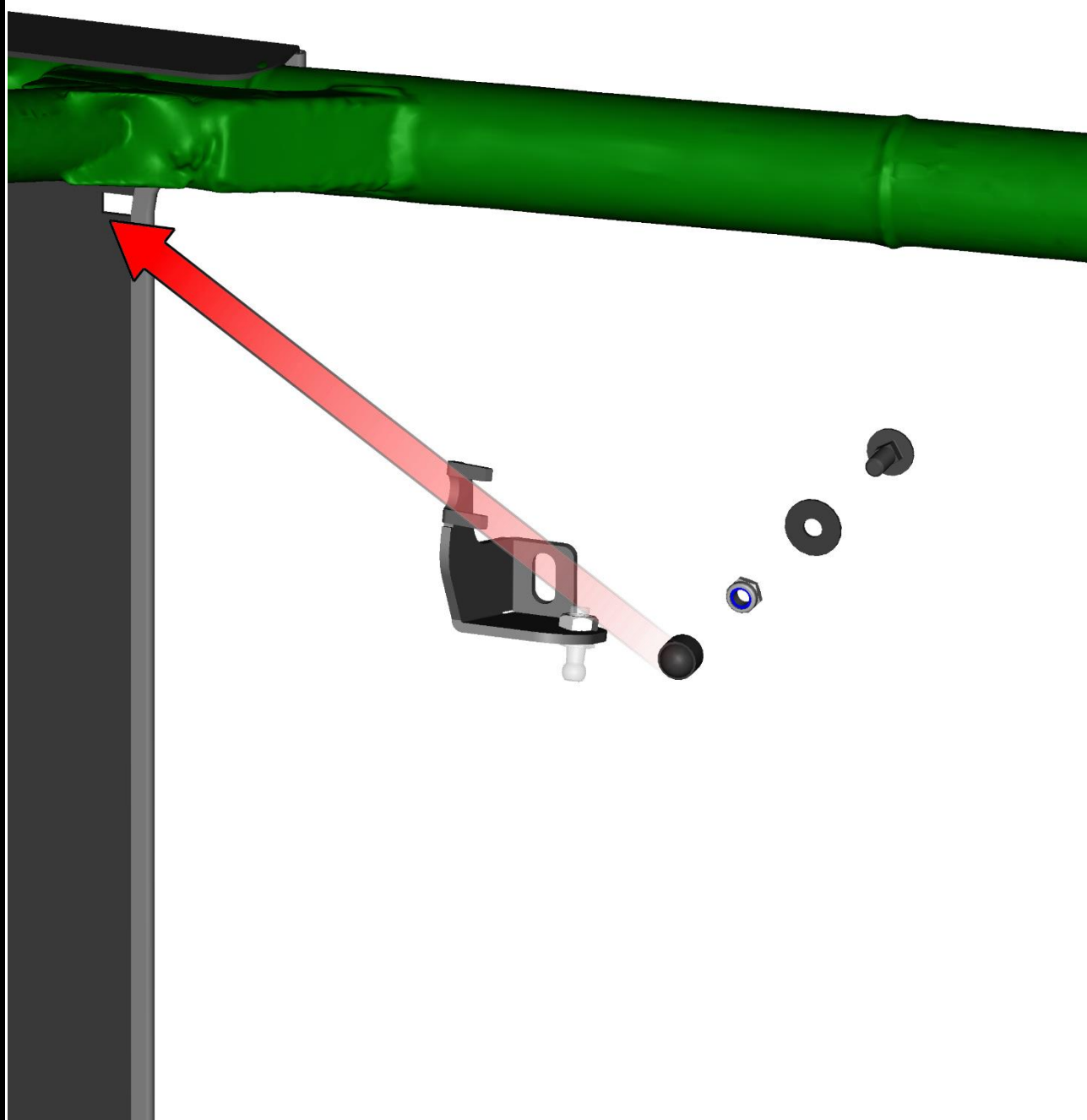
Loose the original screw on the vehicle frame.

46



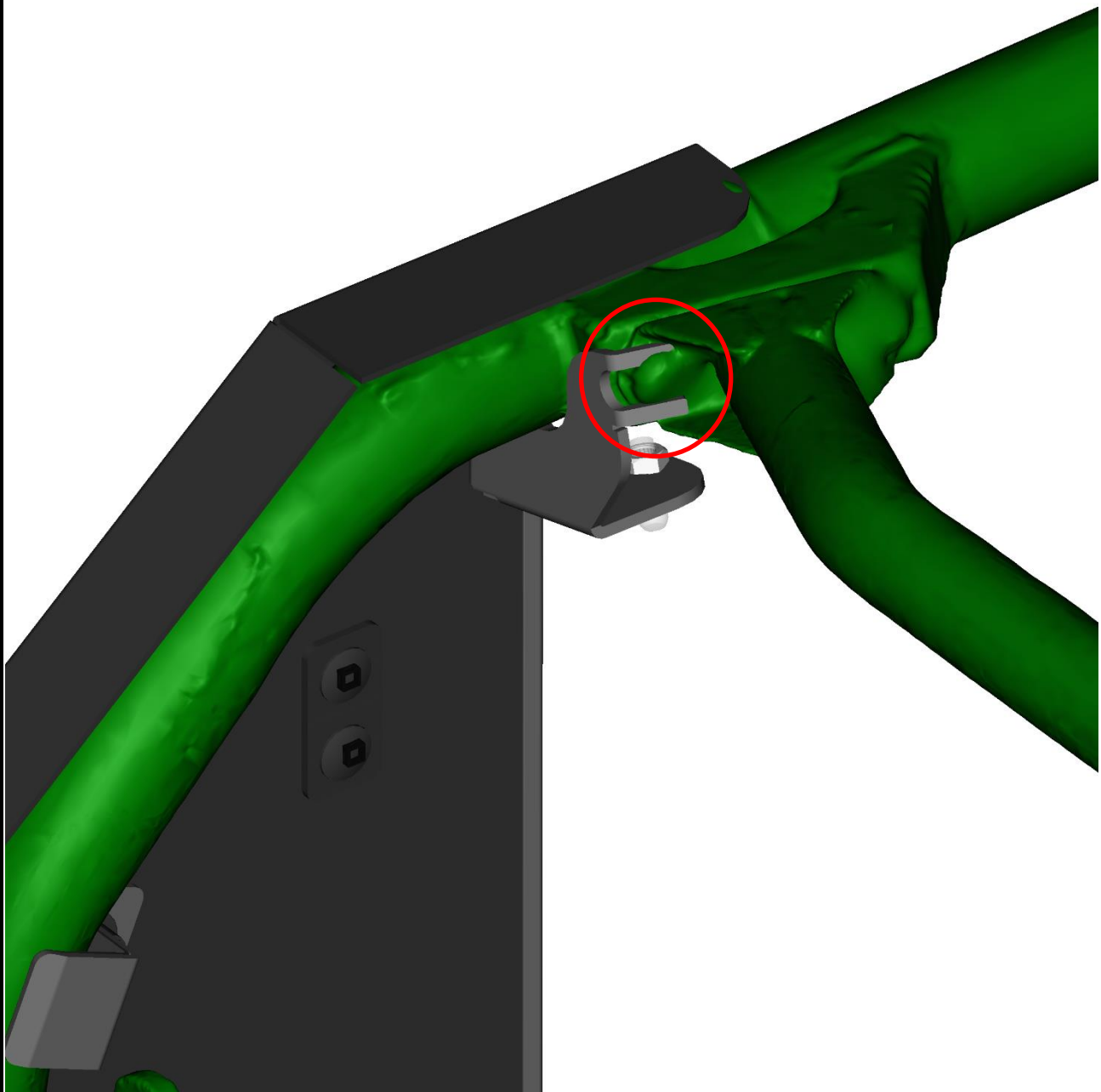


Place the left rear gas spring holder onto the door base.

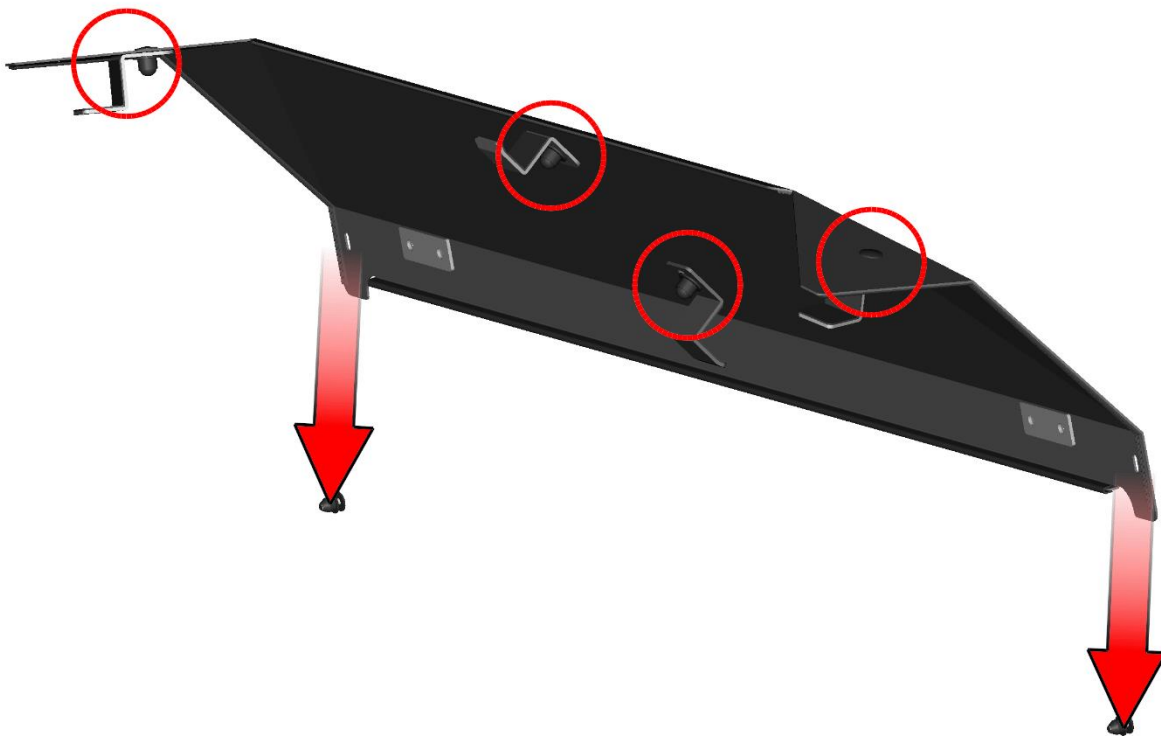


47

Secure the holder by original screw. Repeat previous steps on the second side of the vehicle.



Loose the rear upper holder screws. Turn the holders to the neutral position. Uninstall rear upper fixing assemblies from the ledge.

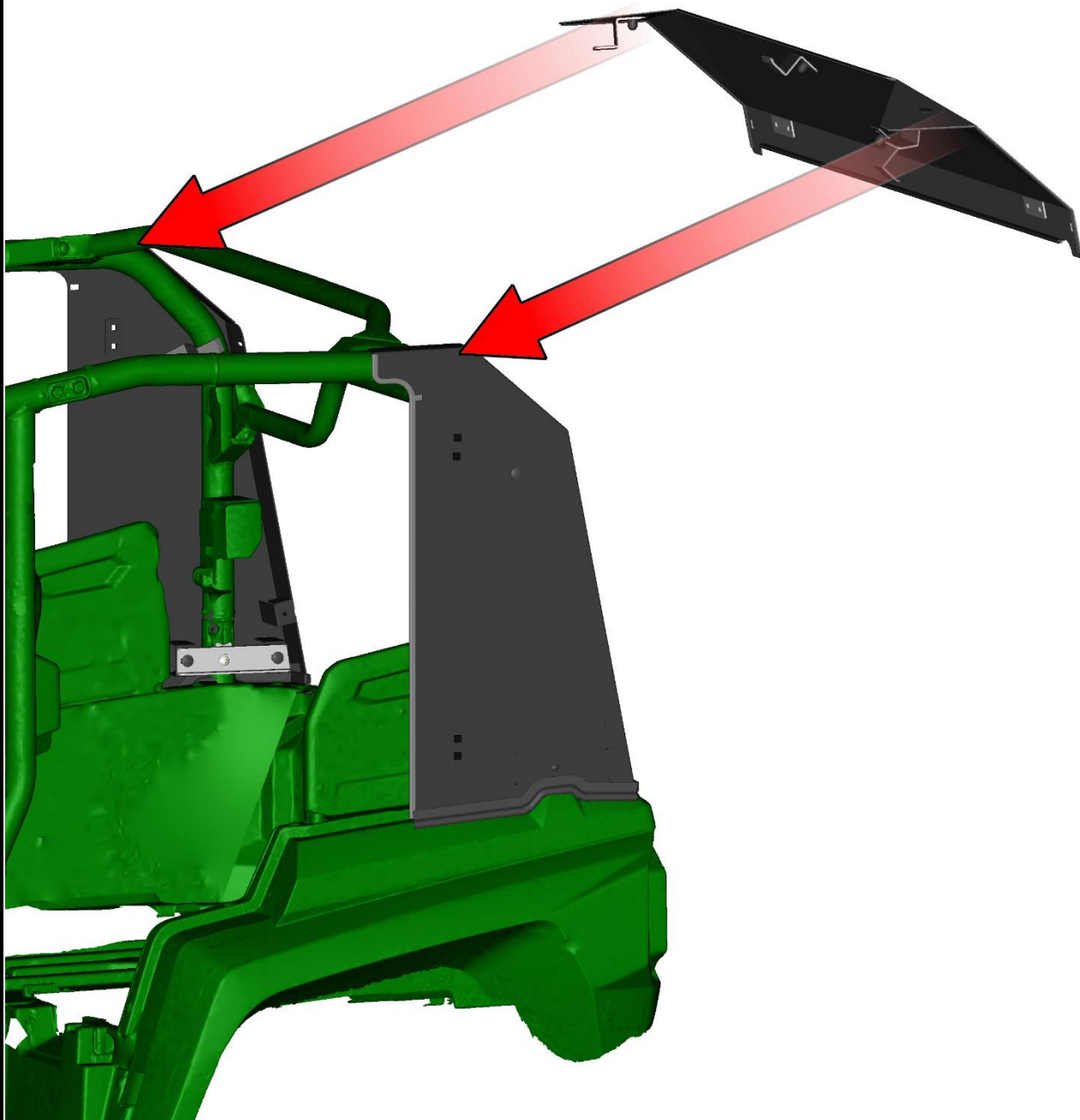


49

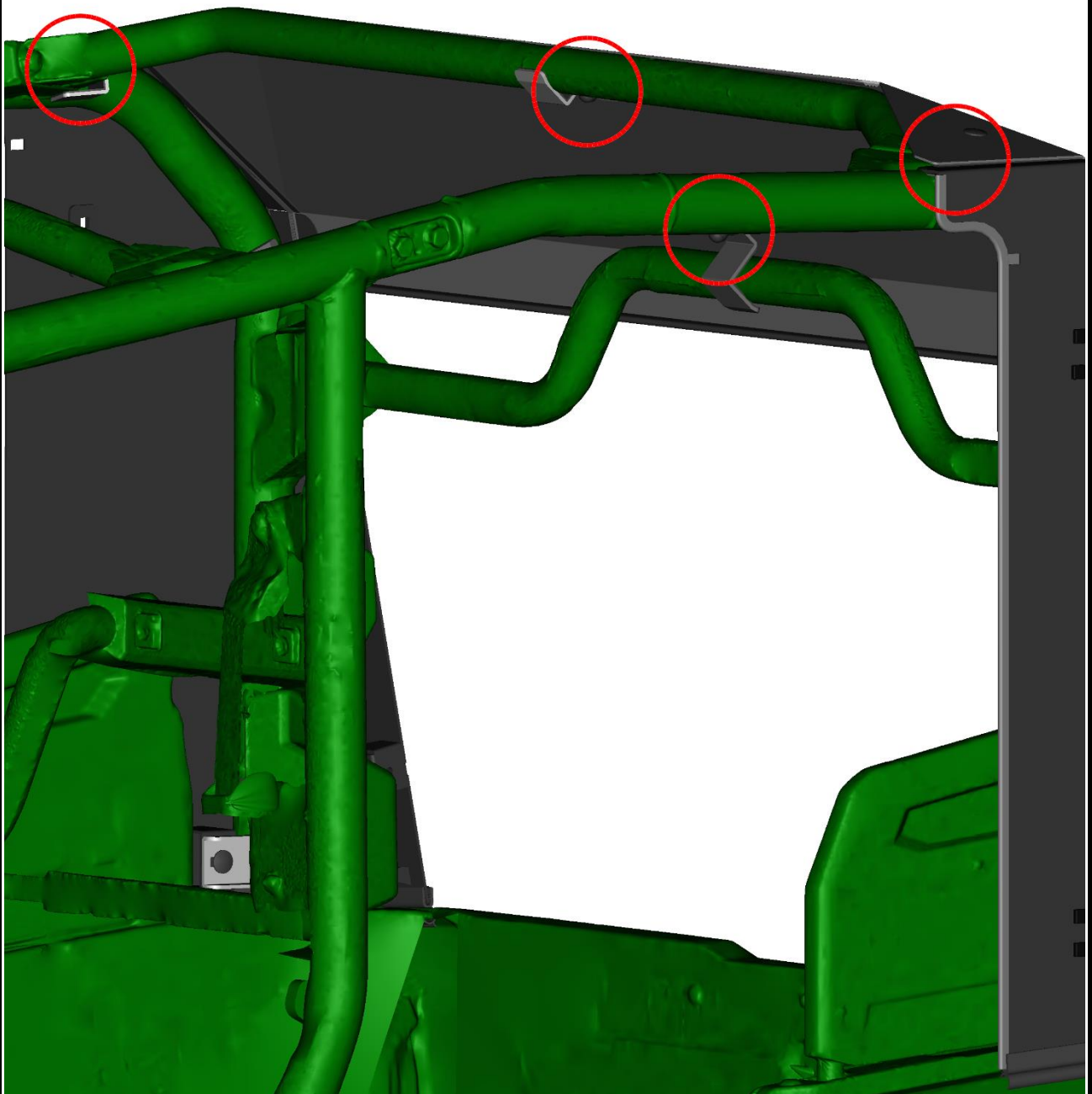


Place the rear ledge onto the rear bases.

50

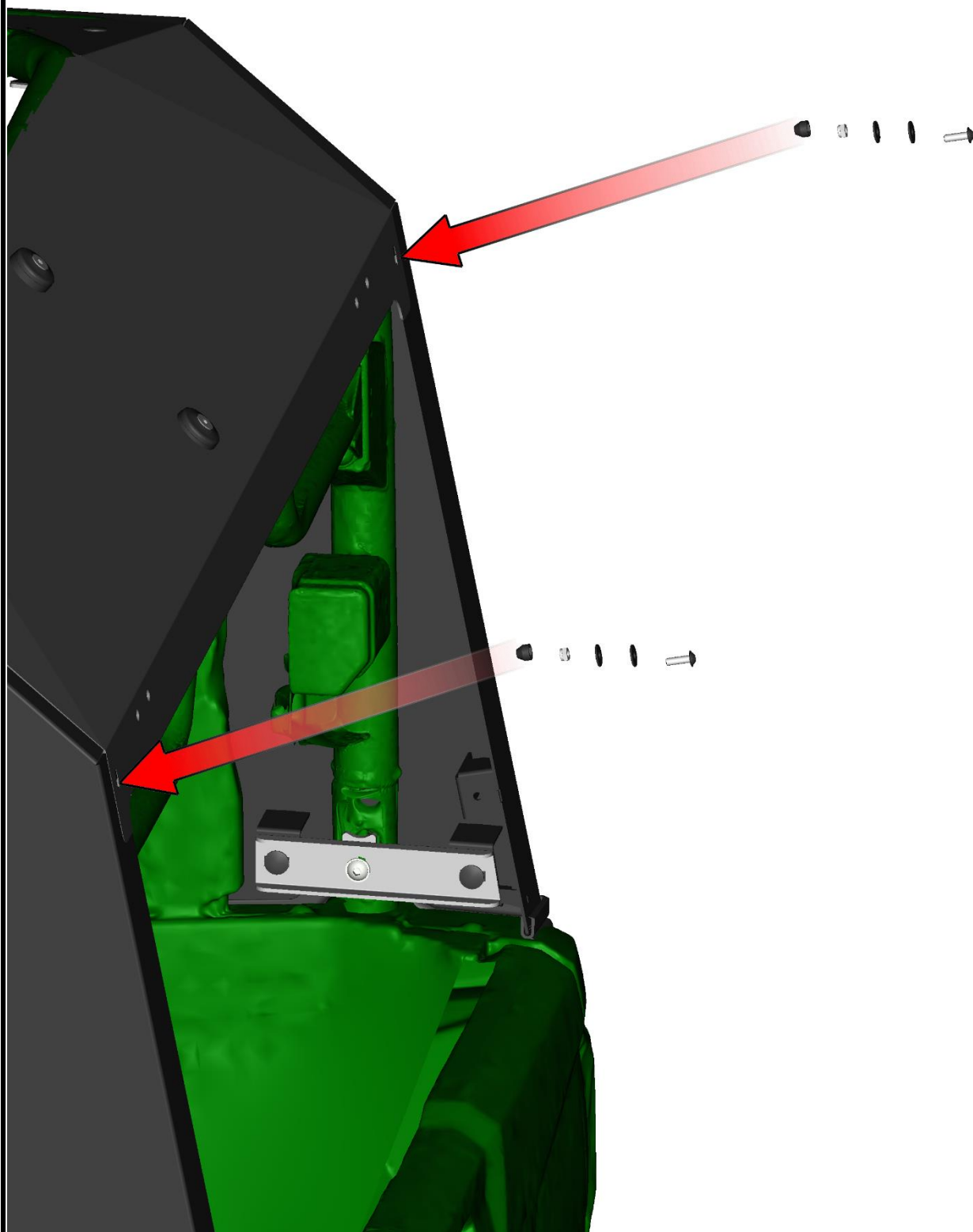


Turn the holders onto the correct position.



51

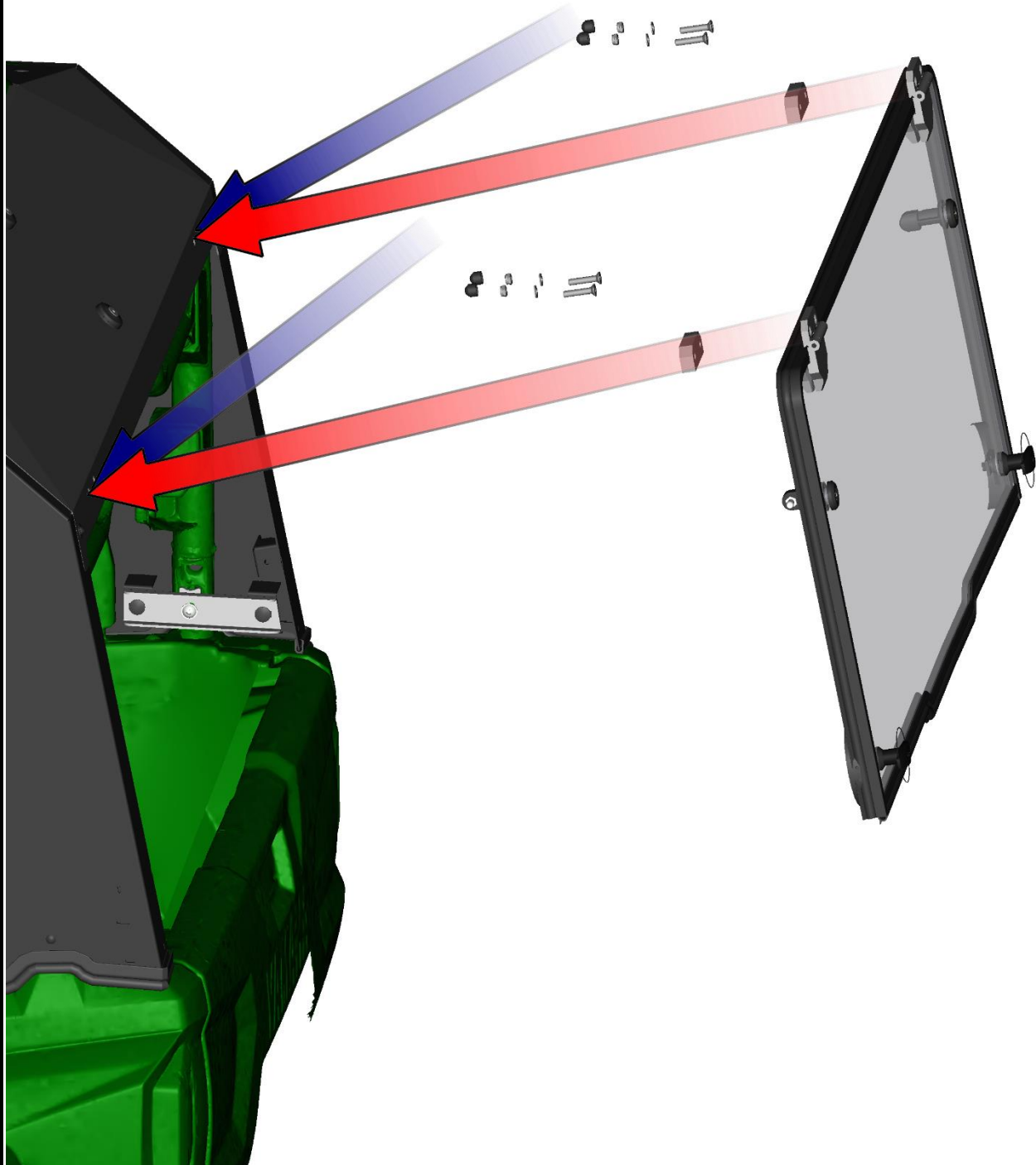
Fix the ledge with the bases by included screws, washers, nuts and covers.



52

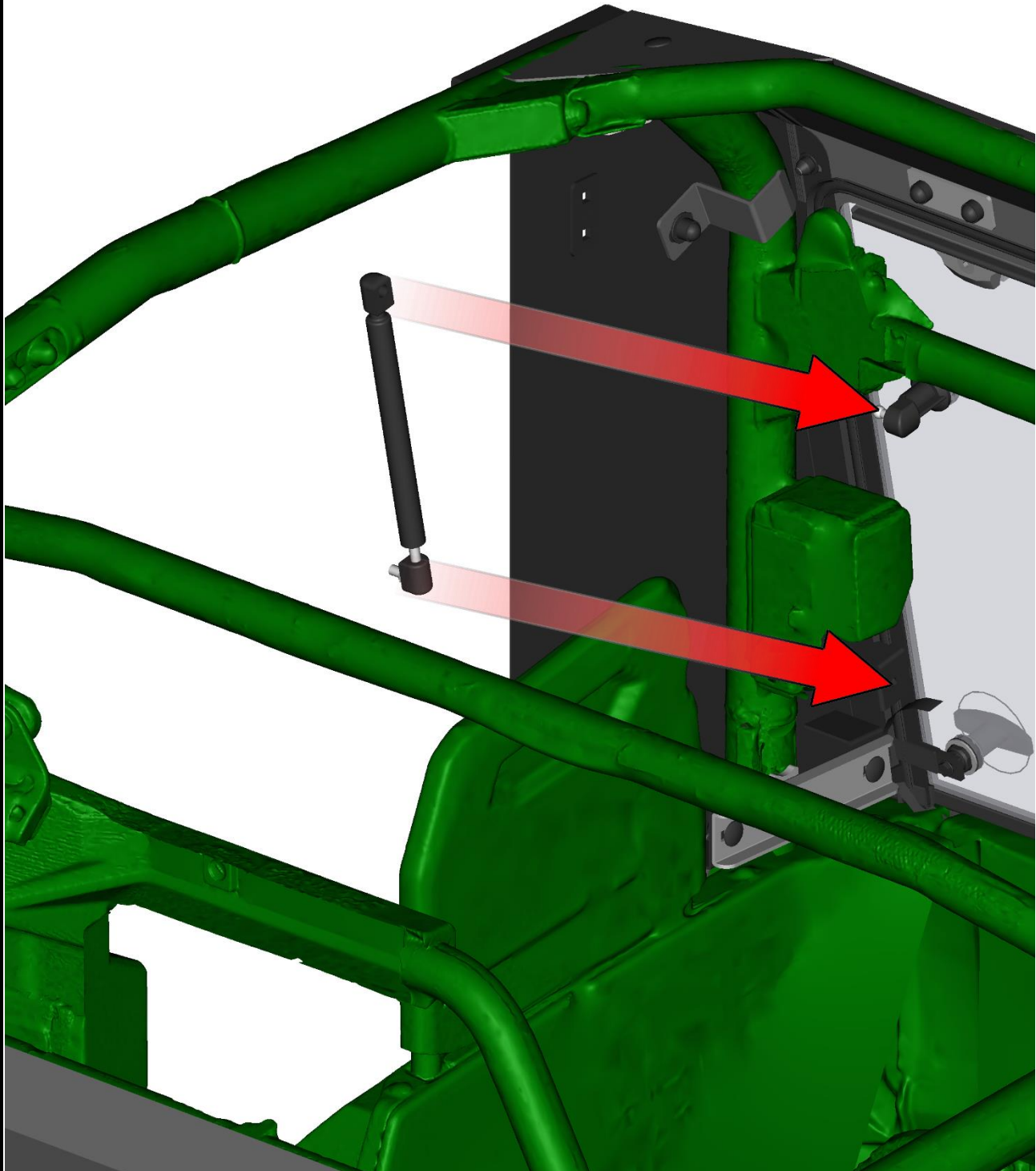


Place the rear window with hinge bases onto the rear ledge.  
Fix the hinges and hinge bases with the ledge by included screws,  
washers, nuts and covers.



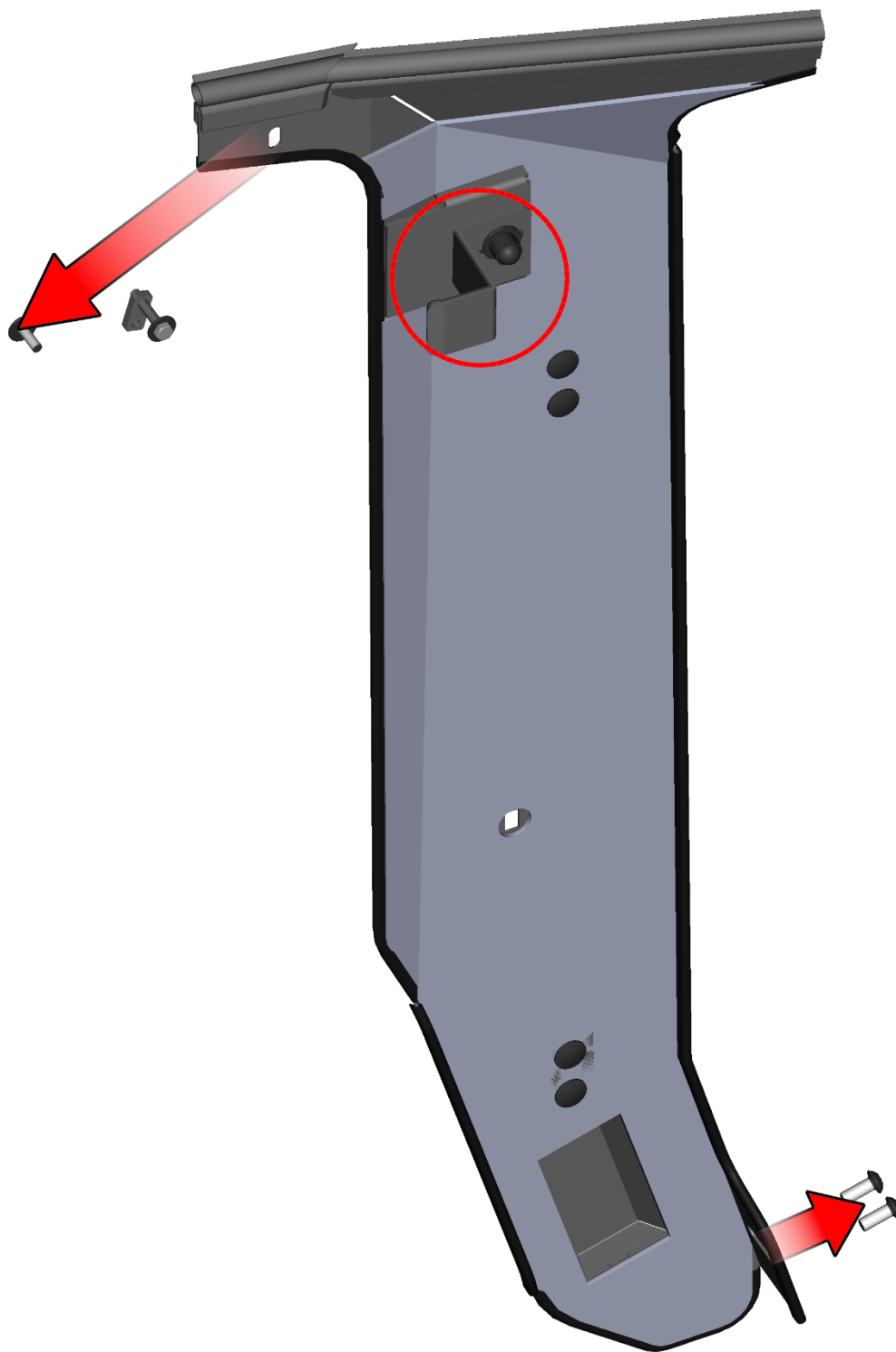
53

Install the gas spring on the gas spring holders on both side of the vehicle.  
It is very important to install gas springs in same orientation like on the picture (slim part down).



### CENTRAL BASE AND COVERS

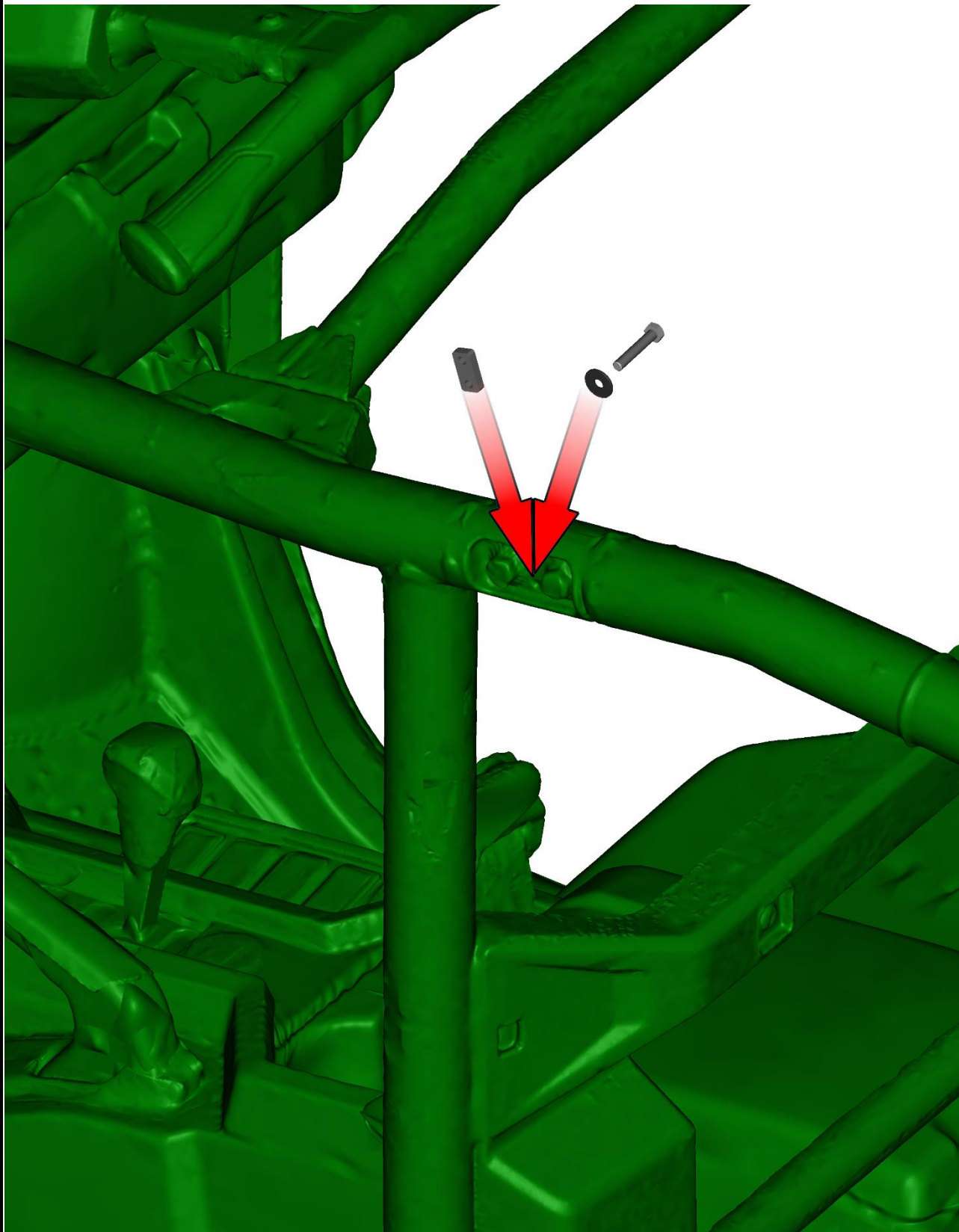
Uninstall fixing assemblies from the central base. Loose the holder screw.



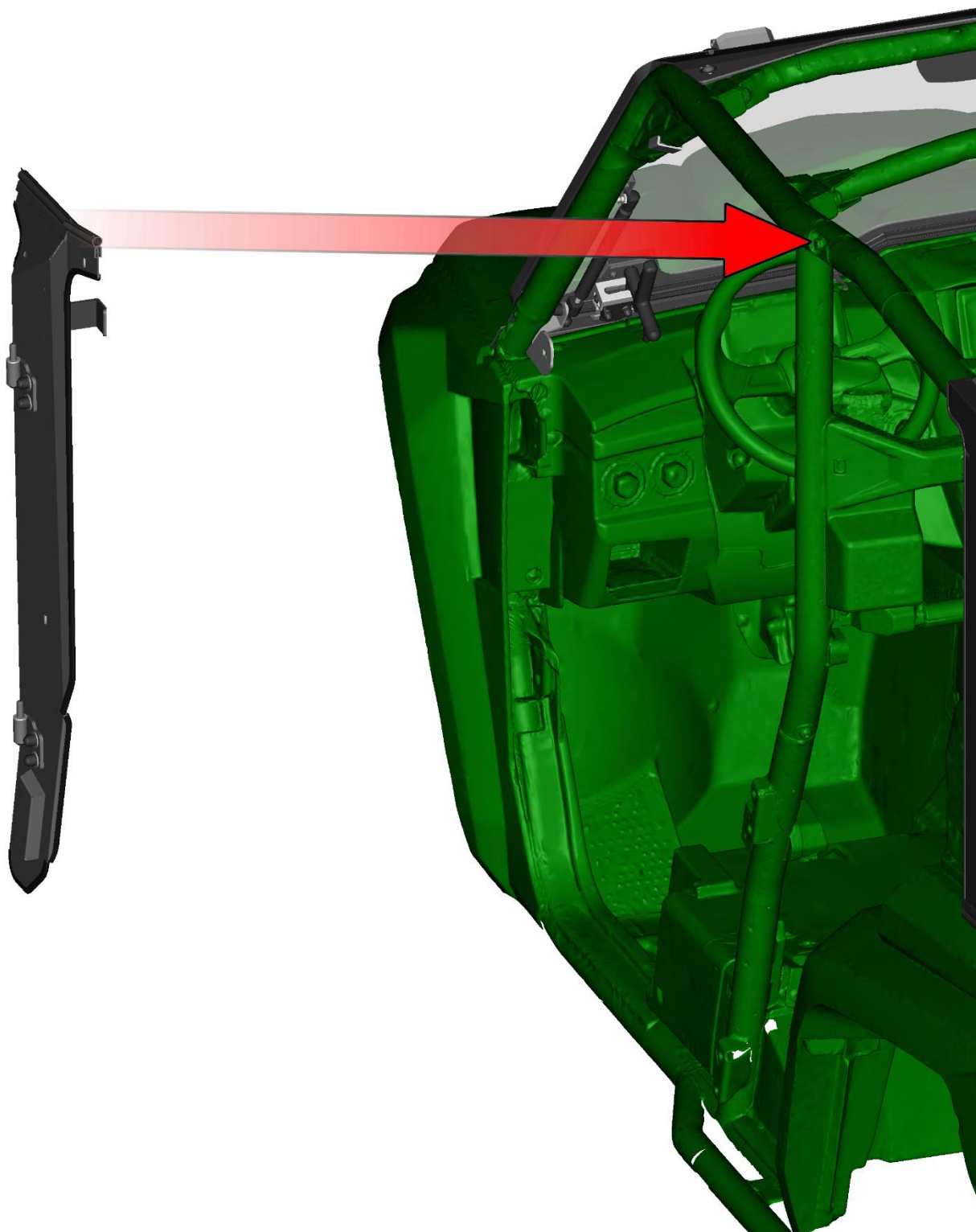
55



Place the spacer into the frame pocket. Fix the spacer by included screw and washer.



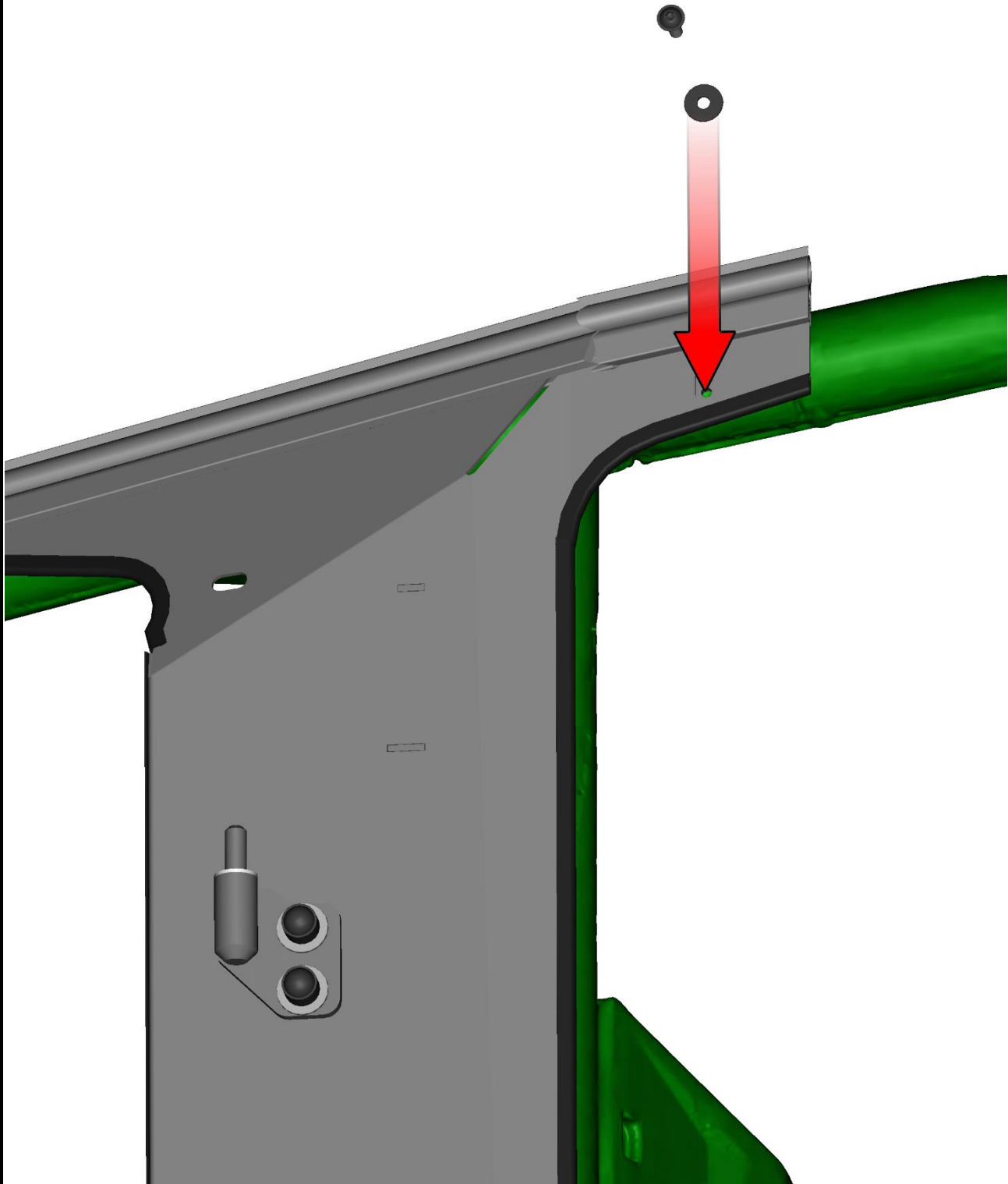
Place the central base onto the vehicle frame.



57

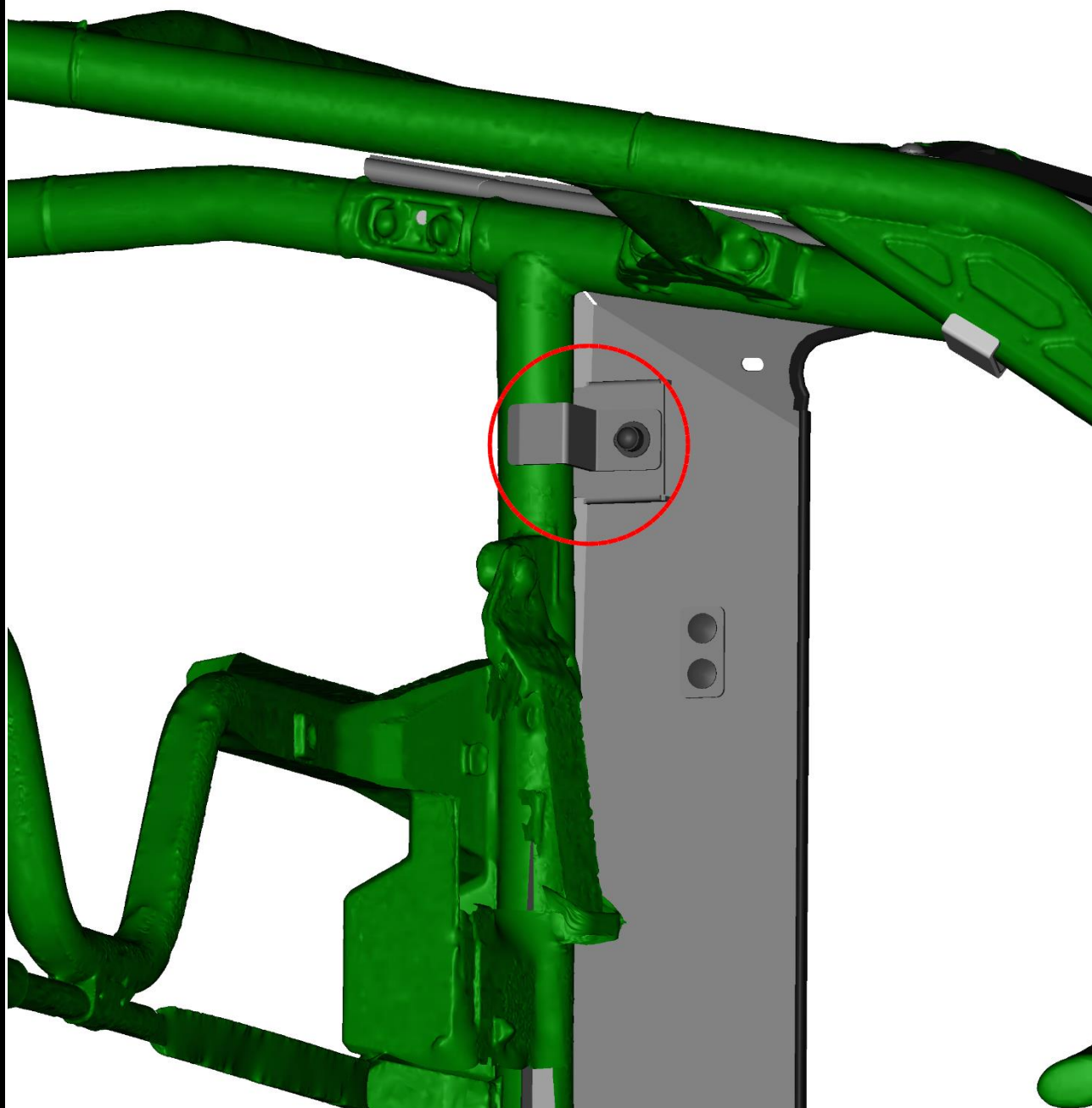
Fix the base with the spacer by included screw and washer.

58



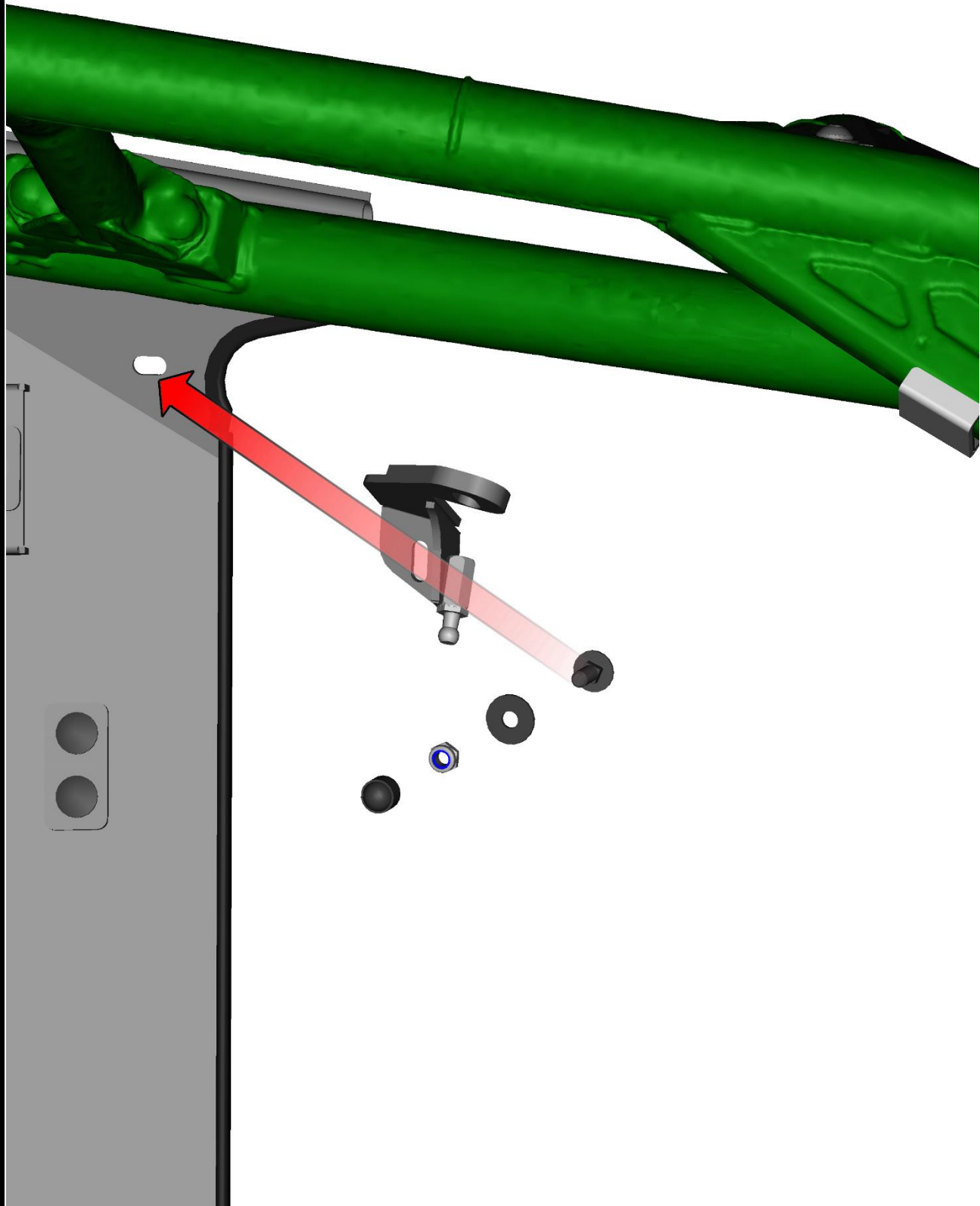


Adjust the holder to the correct position and tighten holder screw.

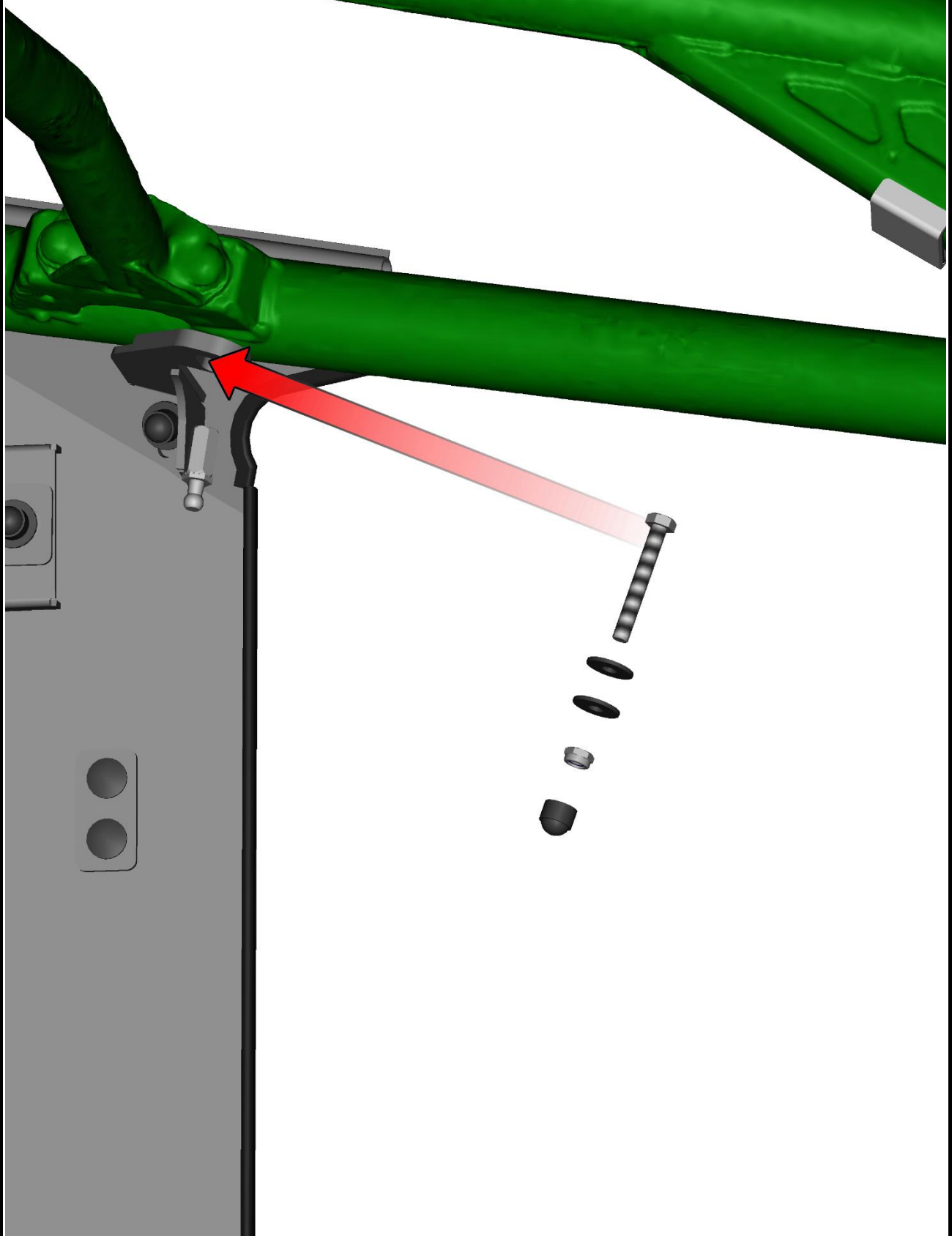


59

Place the gas spring holder onto the door base. Fix the holder with the base by included screw, washer, nut and cover.



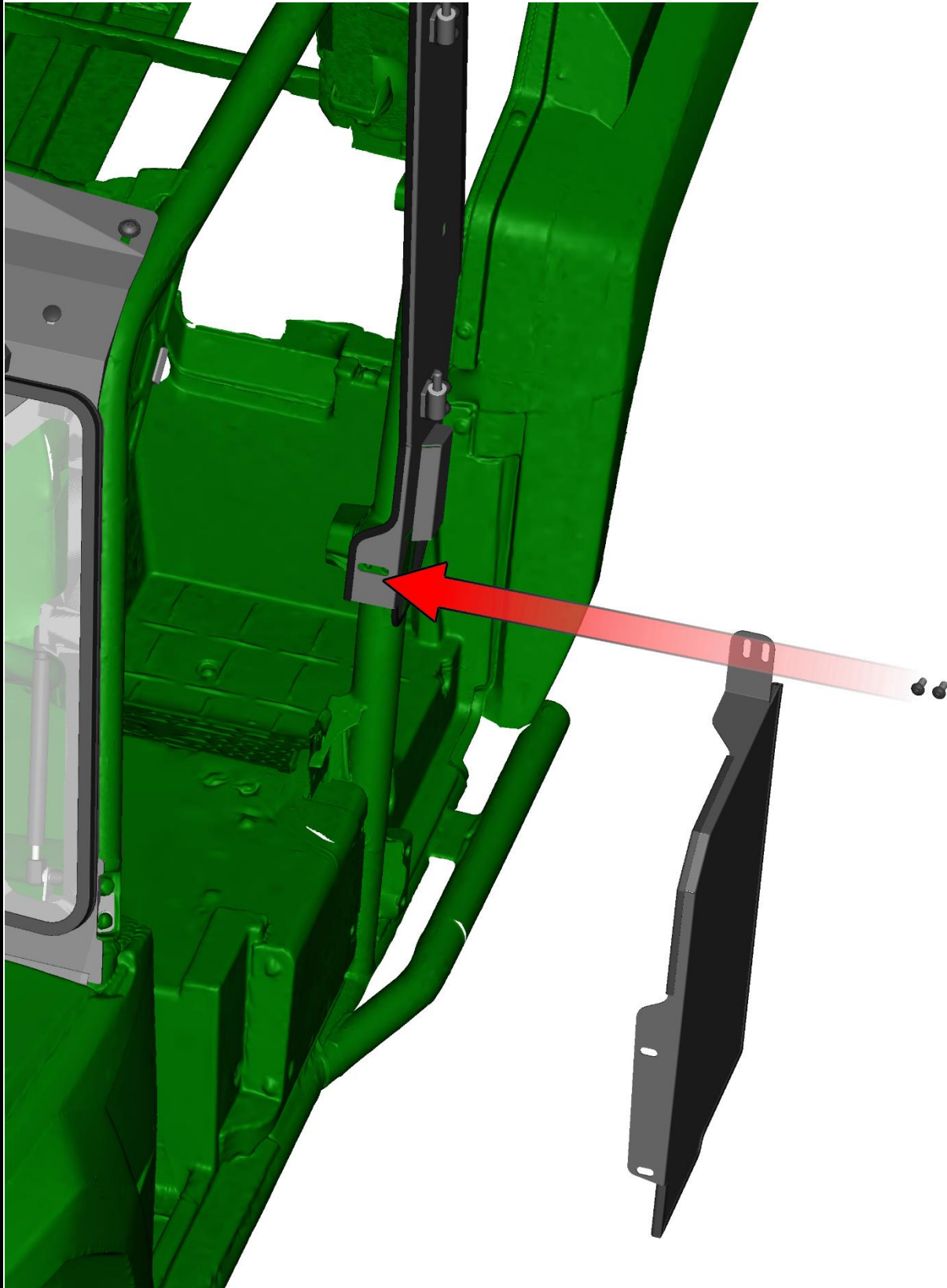
Fix the holder with frame by included screw, washers, nut and cover.



61

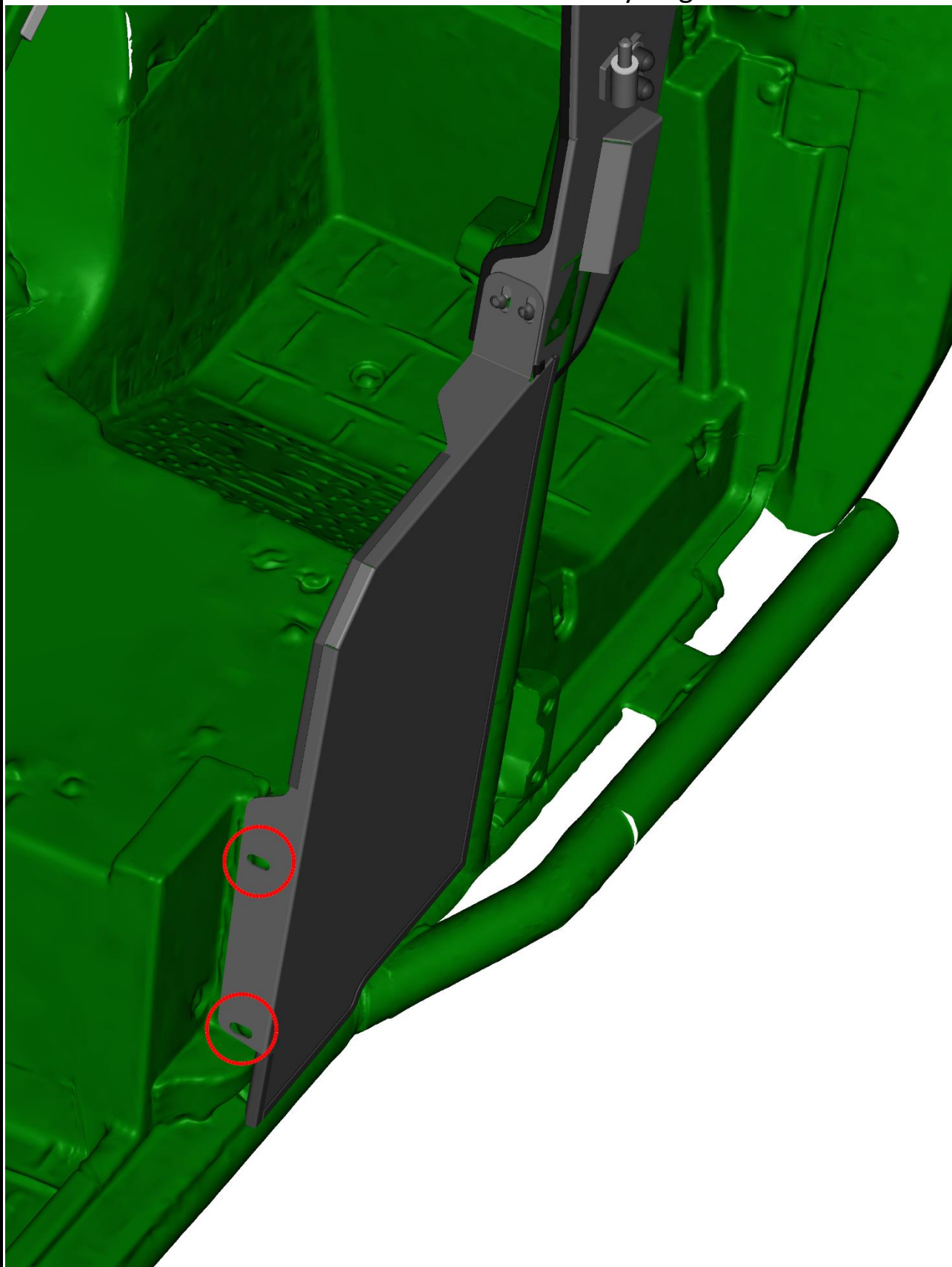


Place the bottom cover onto the vehicle and onto the base. Fix the cover with the base and with the vehicle by included screws.



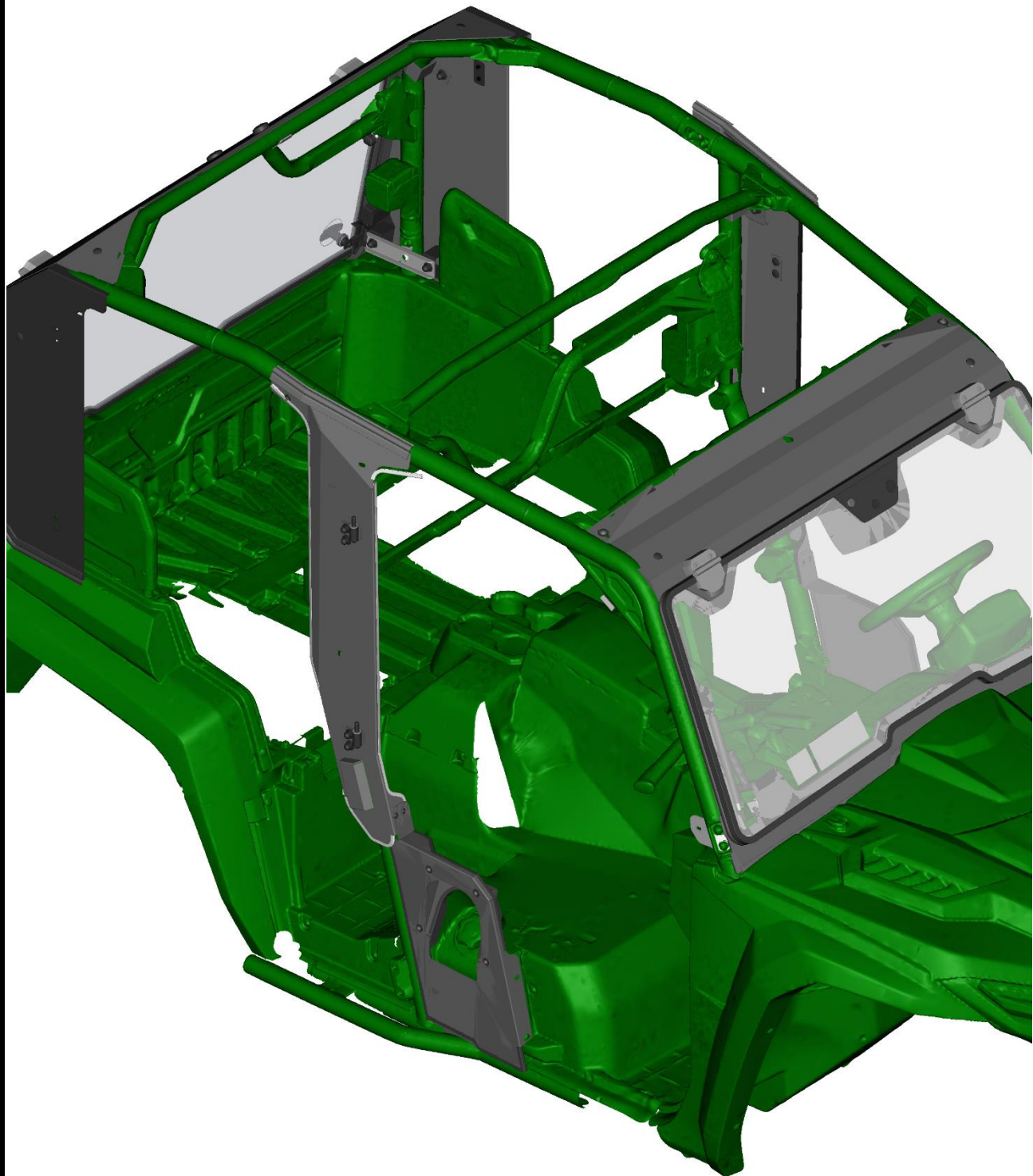
62

Fix the bottom cover with the vehicle by original screws.



63

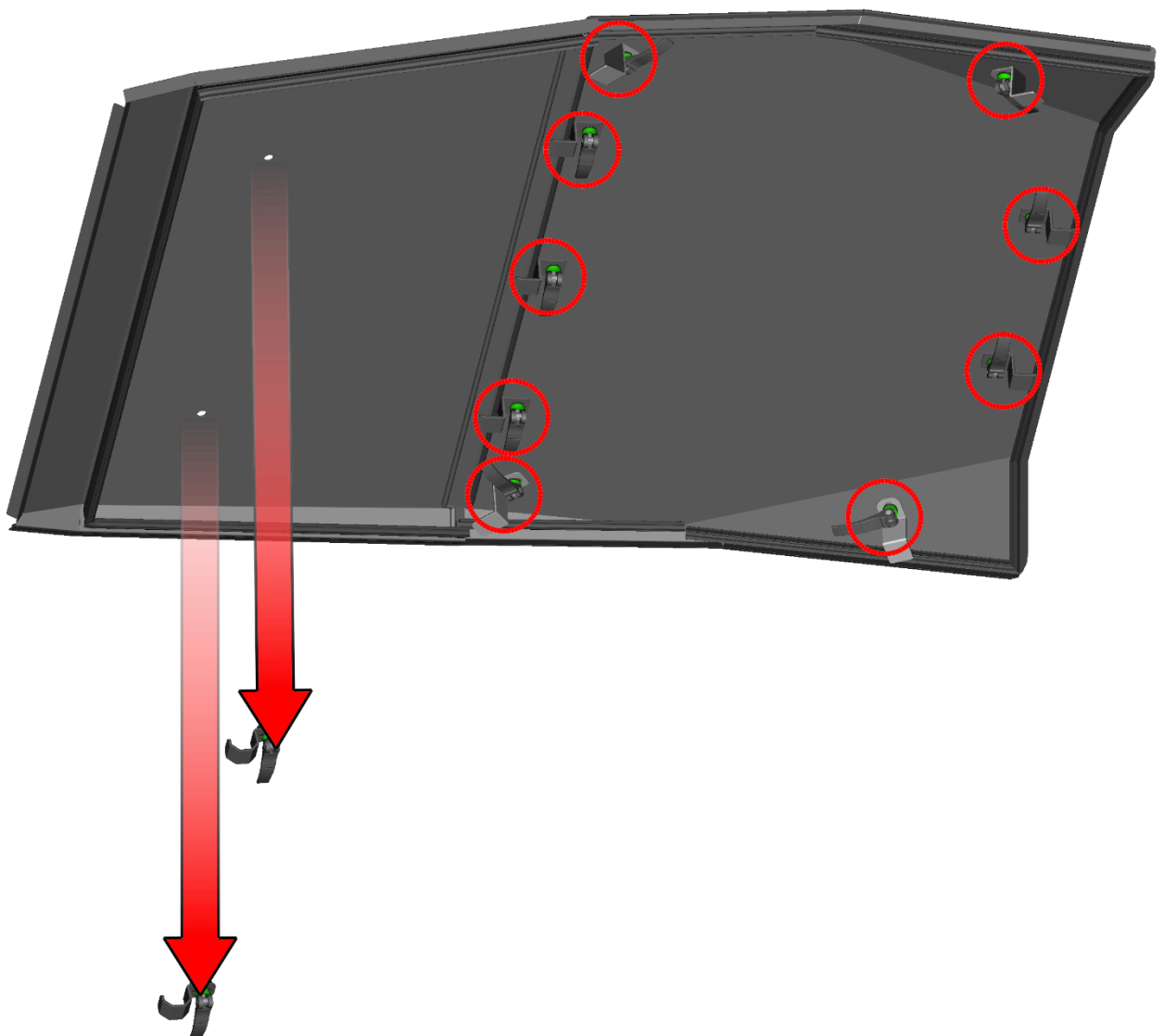
Repeat previous steps on the second side of the vehicle.





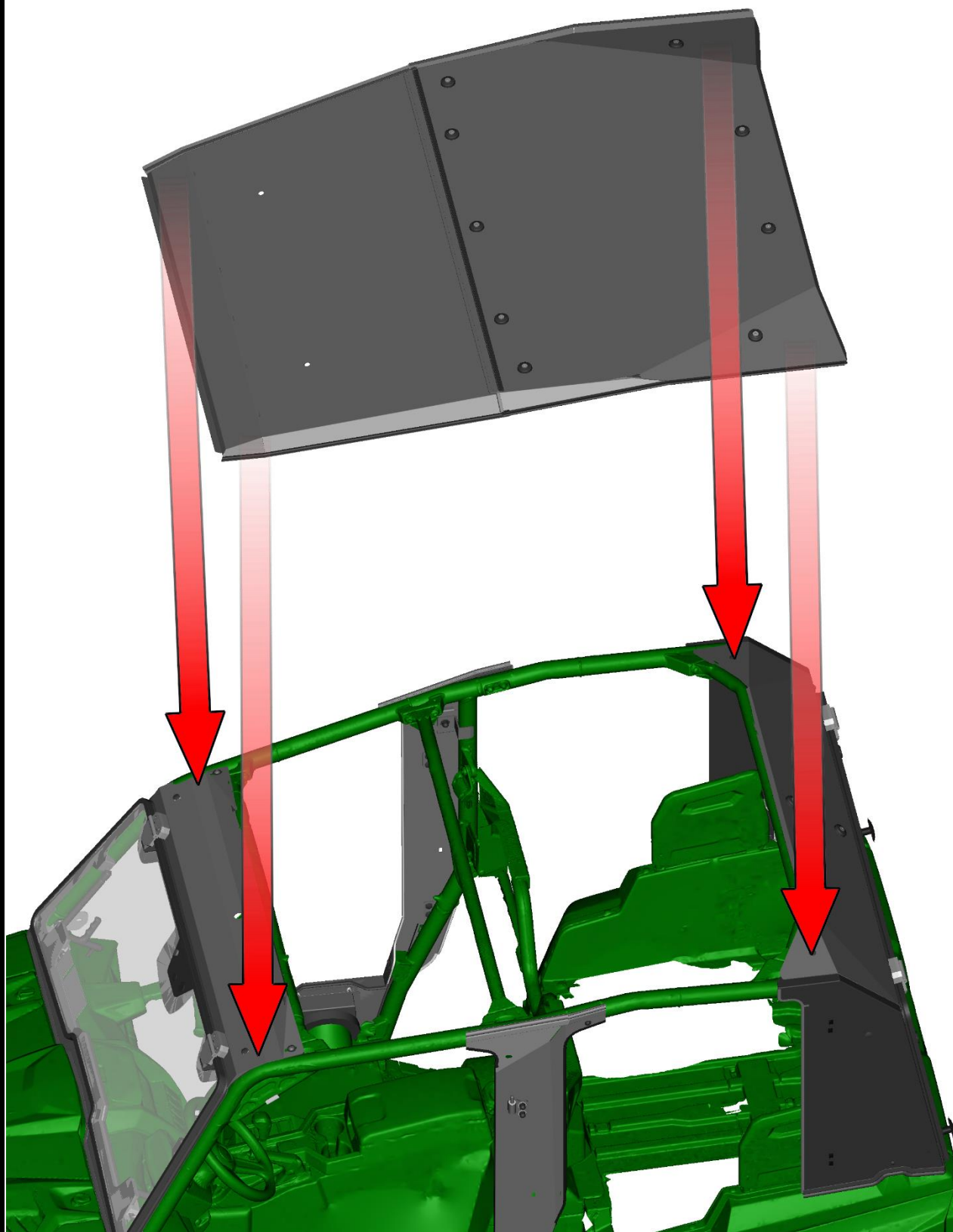
### ROOF

Uninstall the roof front holder assemblies from the roof. Loose the holder screws and turn holders to the neutral position.

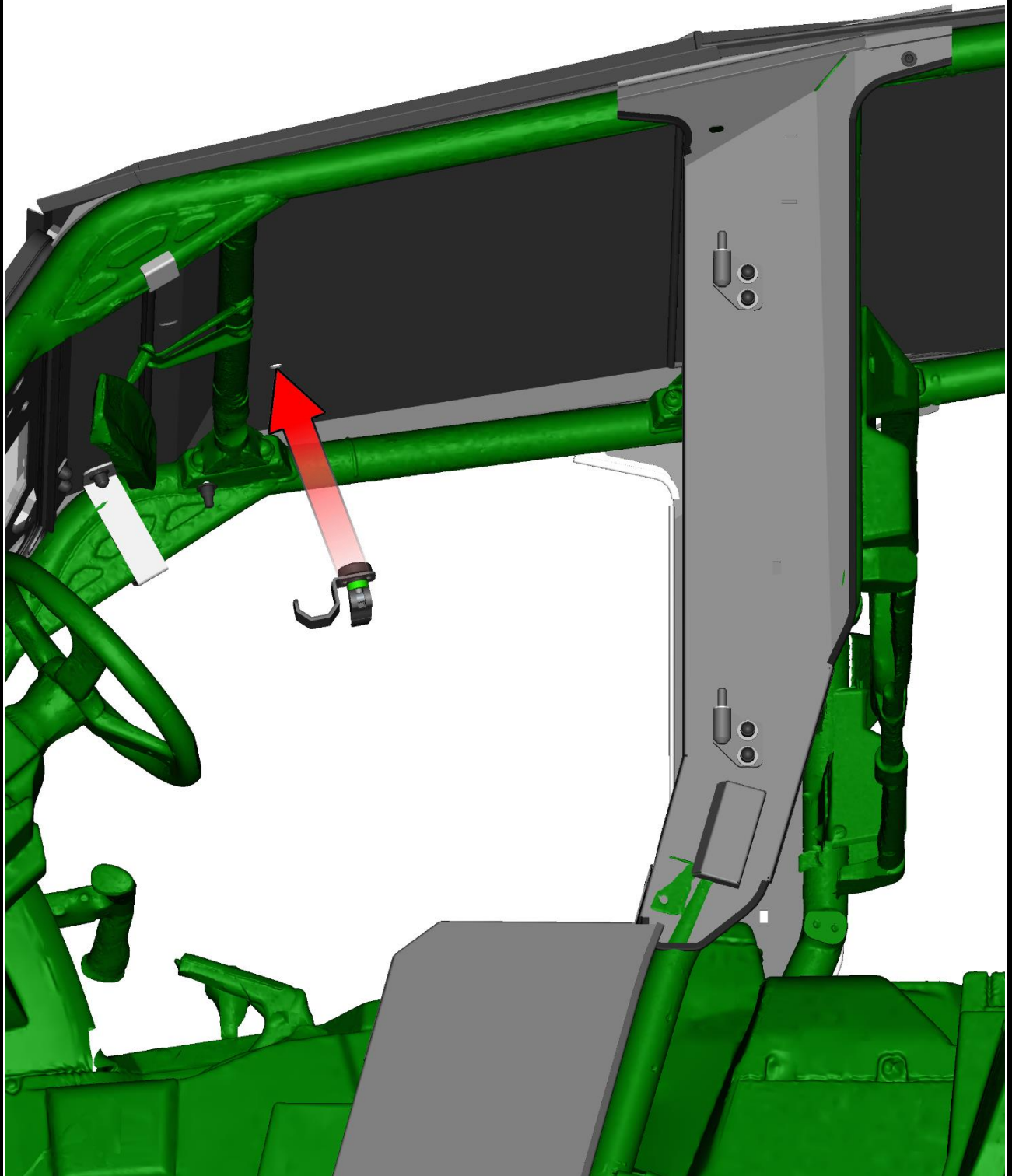


65

Place the roof onto the front upper ledge and onto the rear ledge.



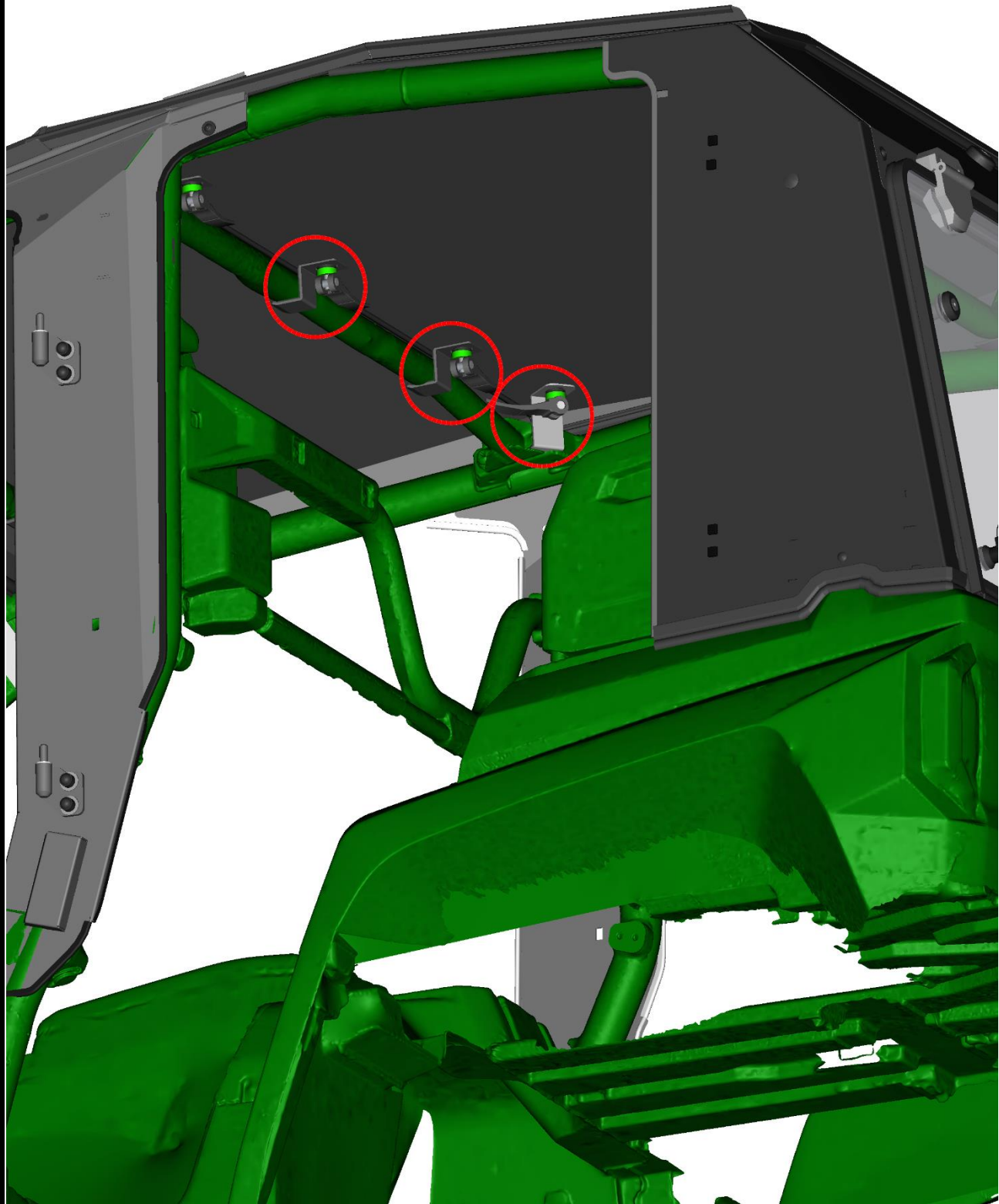
Place the roof front holders onto the frame and onto the roof on both sides. Fix the holders with the roof to the frame by included screws, washers, nuts and covers.



67

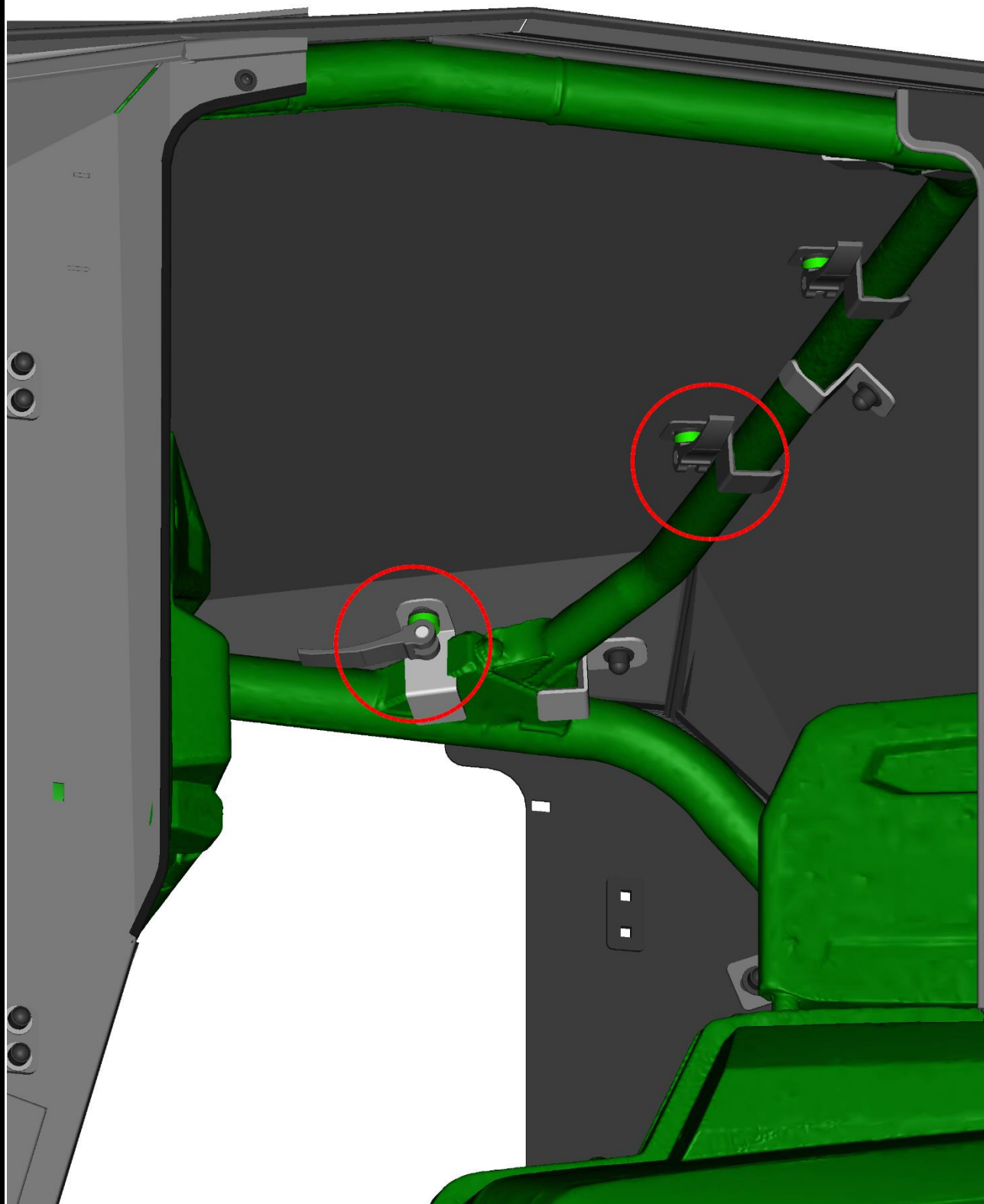


Turn the holders to the correct position and tighten holder screws.



68

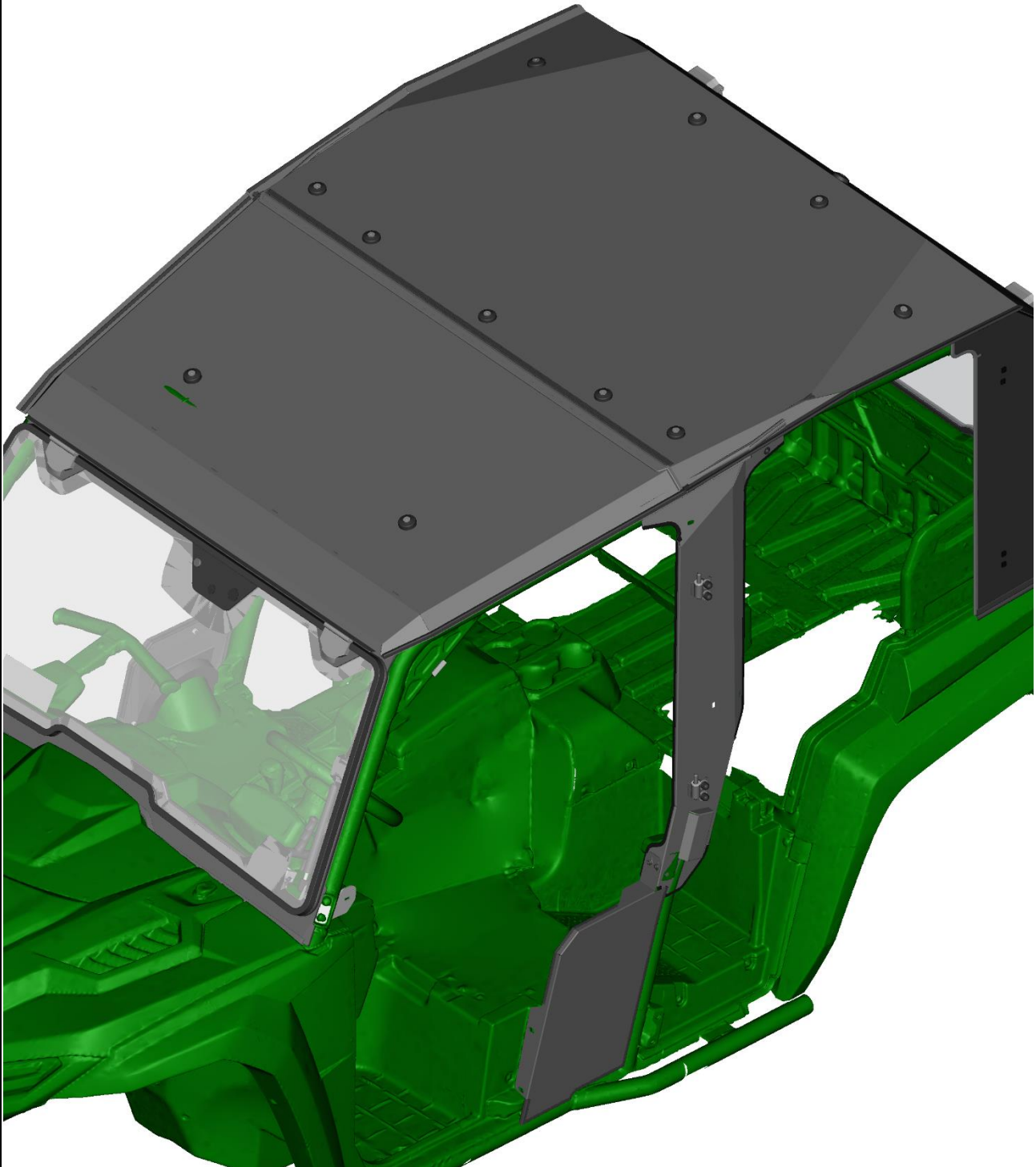
Turn the holders to the correct position and tighten holder screws.



69

Tighten all screws and nuts correctly.

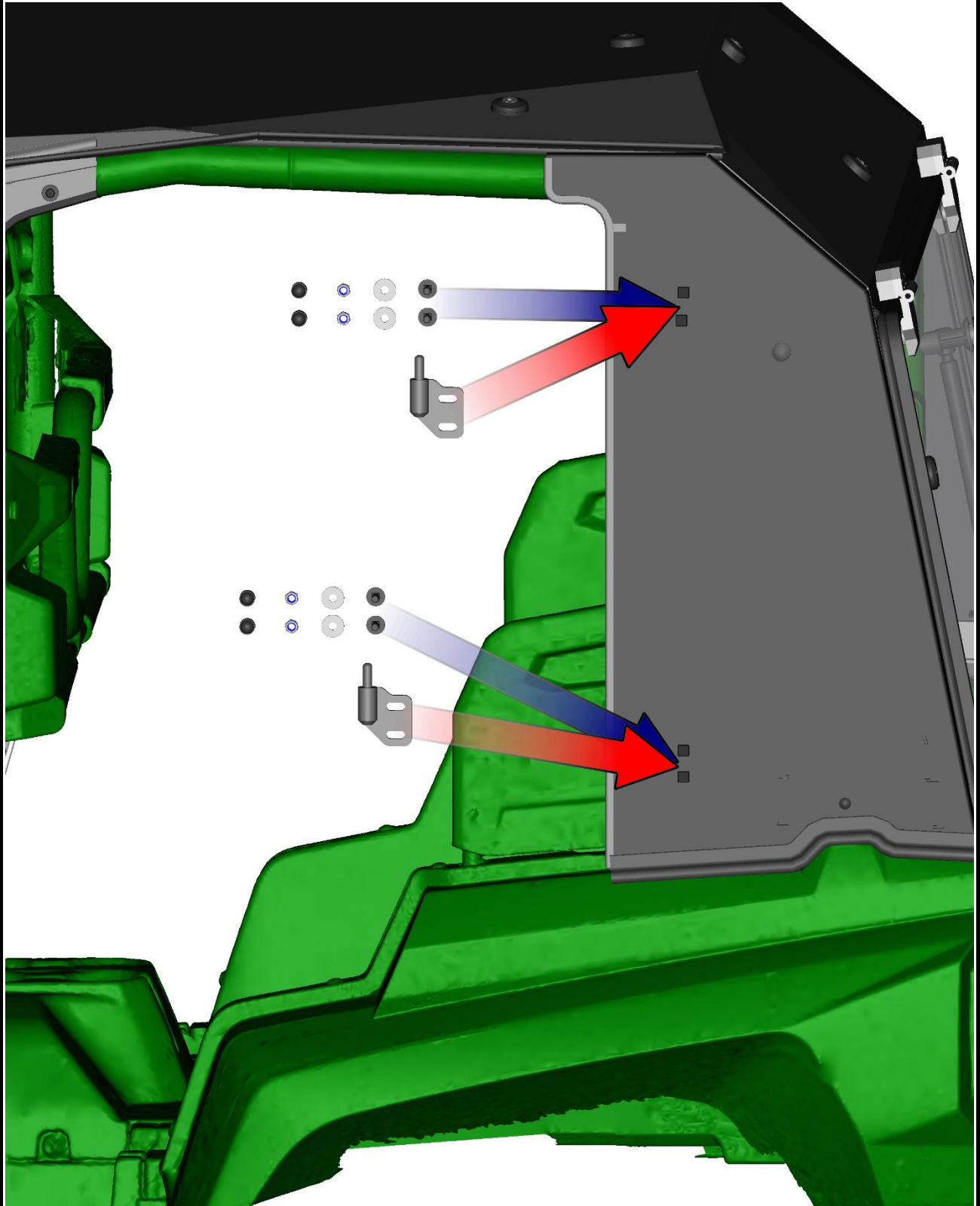
70





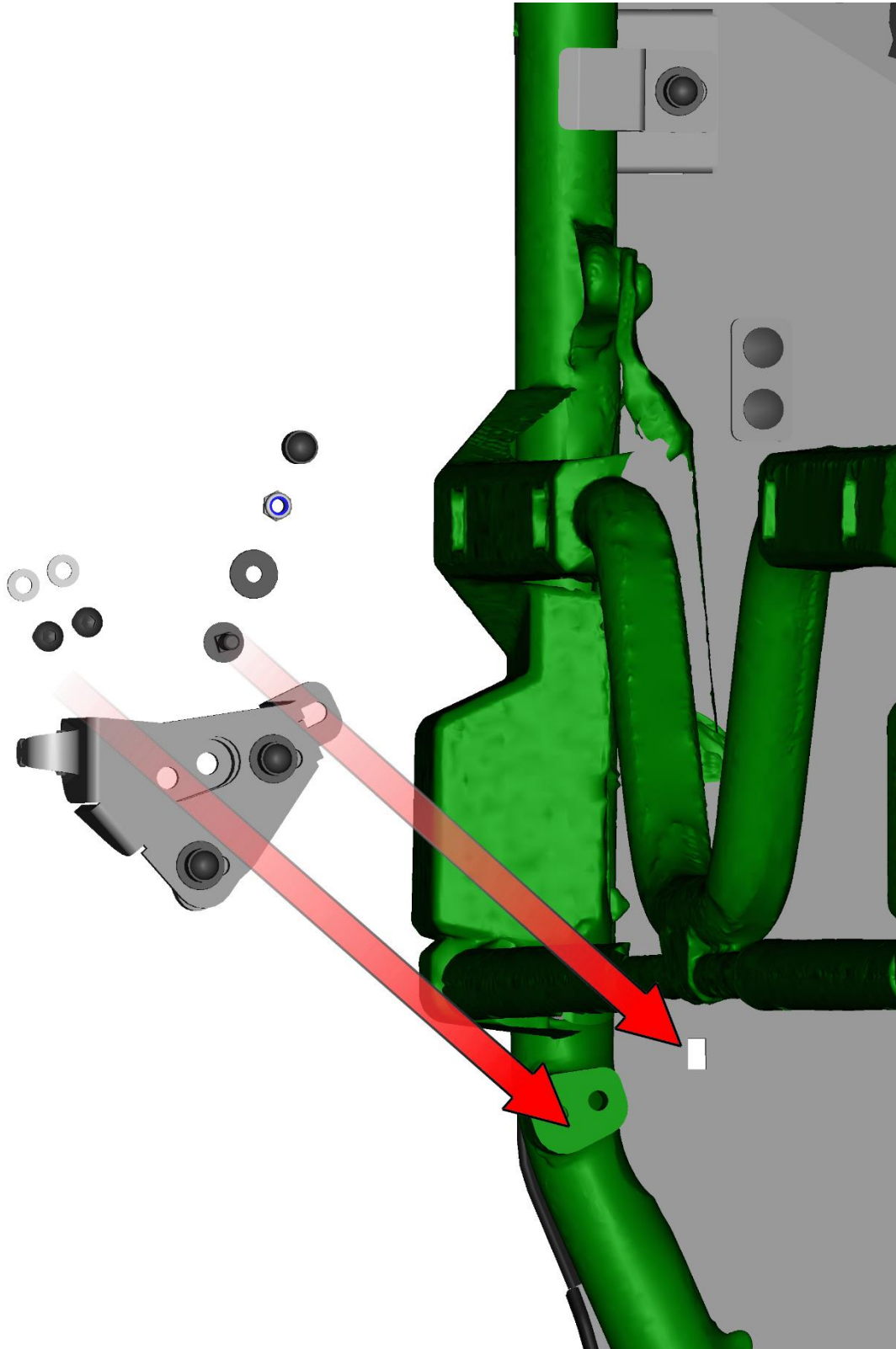
**LEFT DOOR + RIGHT DOOR**

Place the rear door hinges onto the rear base. Fix the hinges with the base by included screws, washers, nuts and covers.



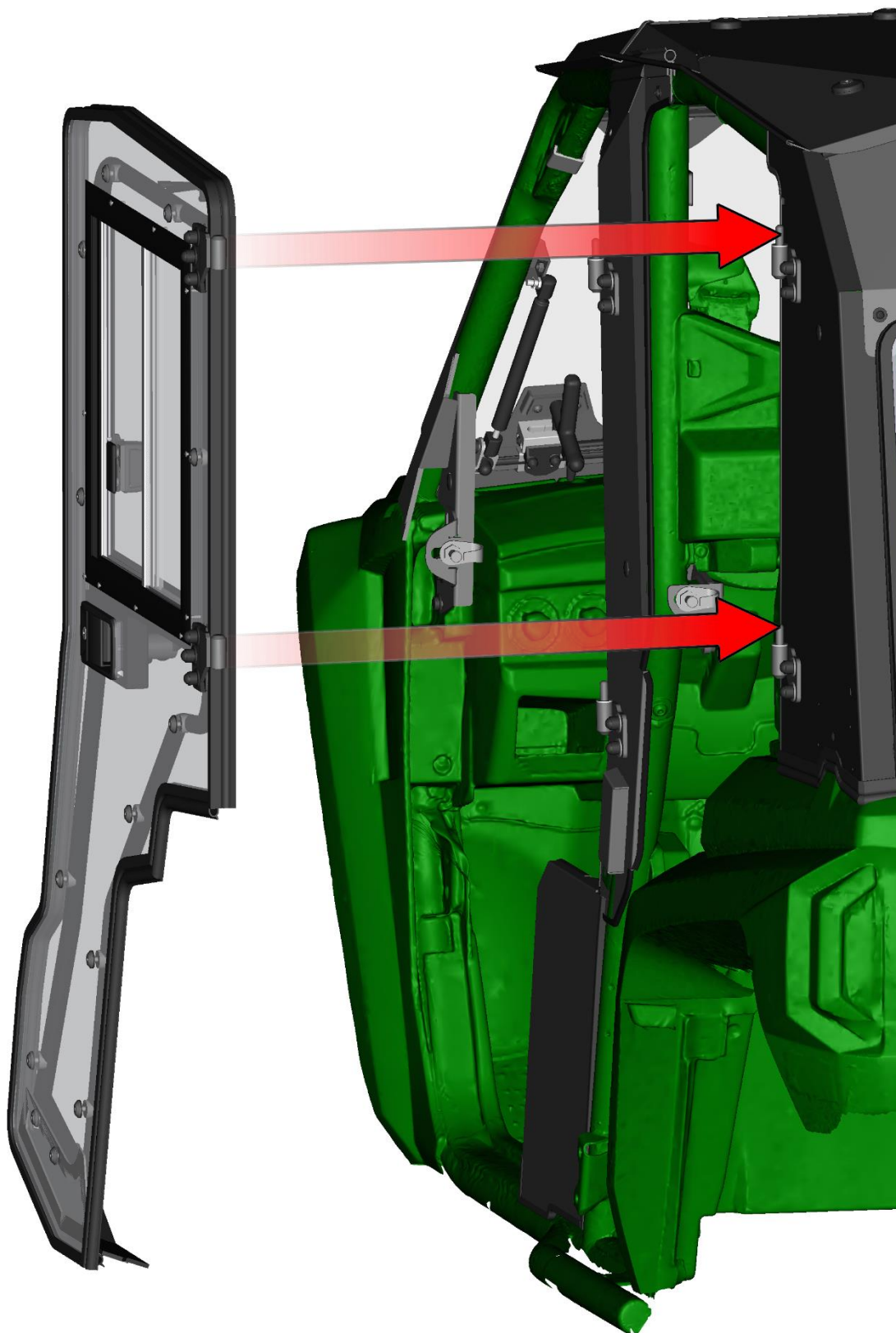
71

Place the rear door stop assembly onto the central base and onto the frame. Fix the holder with the frame and with the base by included screws, washers, nut and cover.



72

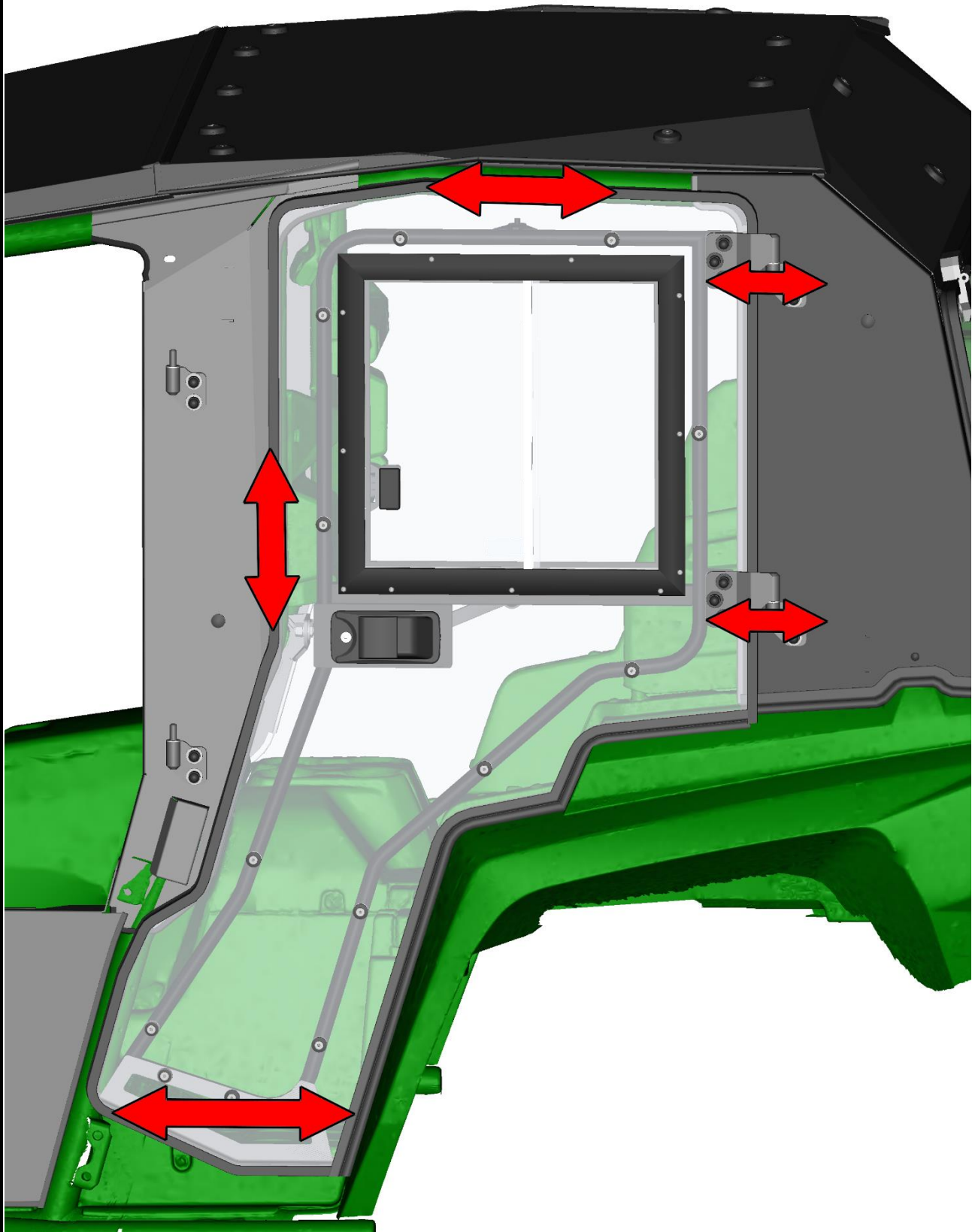
Lubricate the hinge pins. Place the door onto the hinges.



73

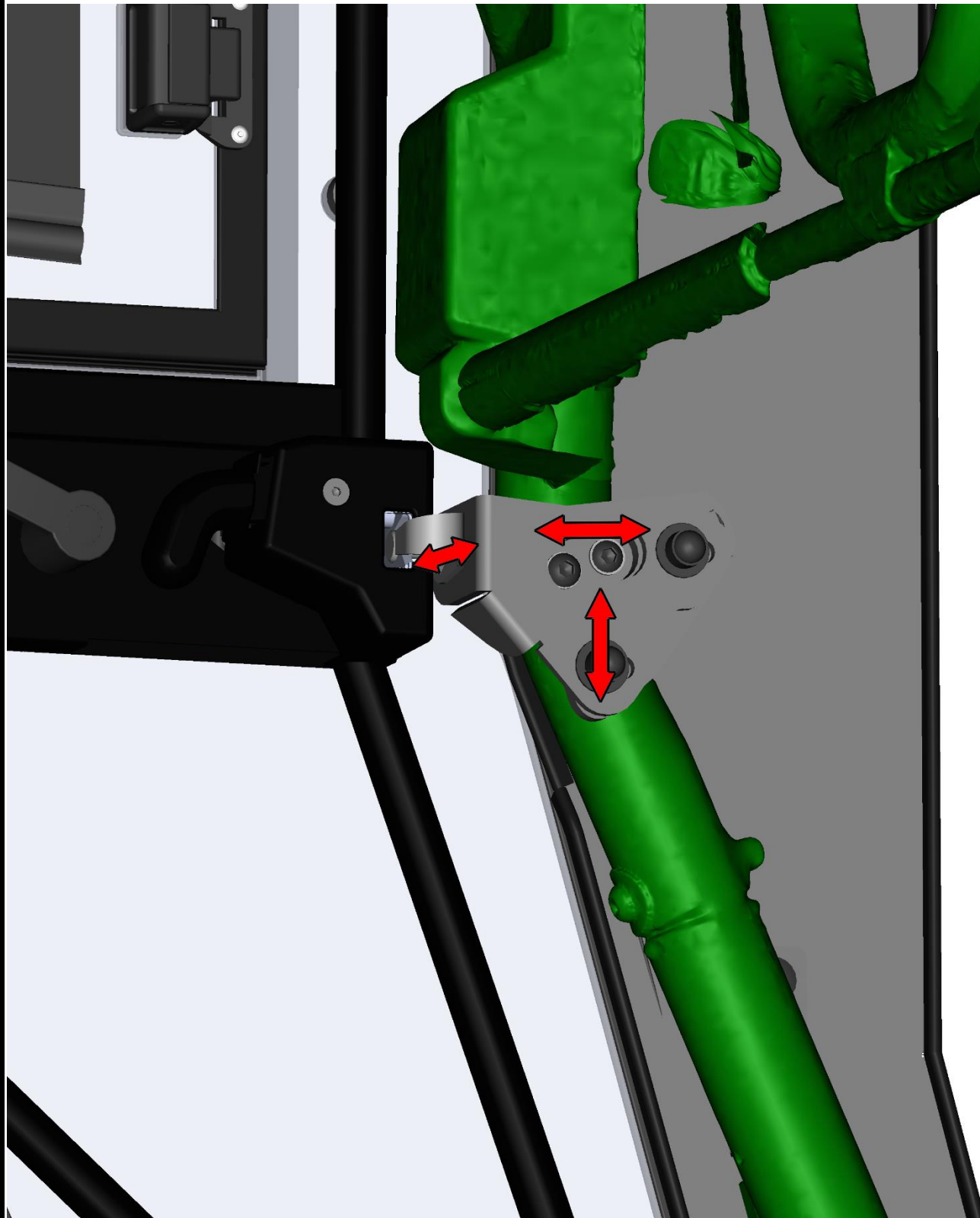


Adjust the door by the hinges to the best position. Tighten hinge screws and nuts.

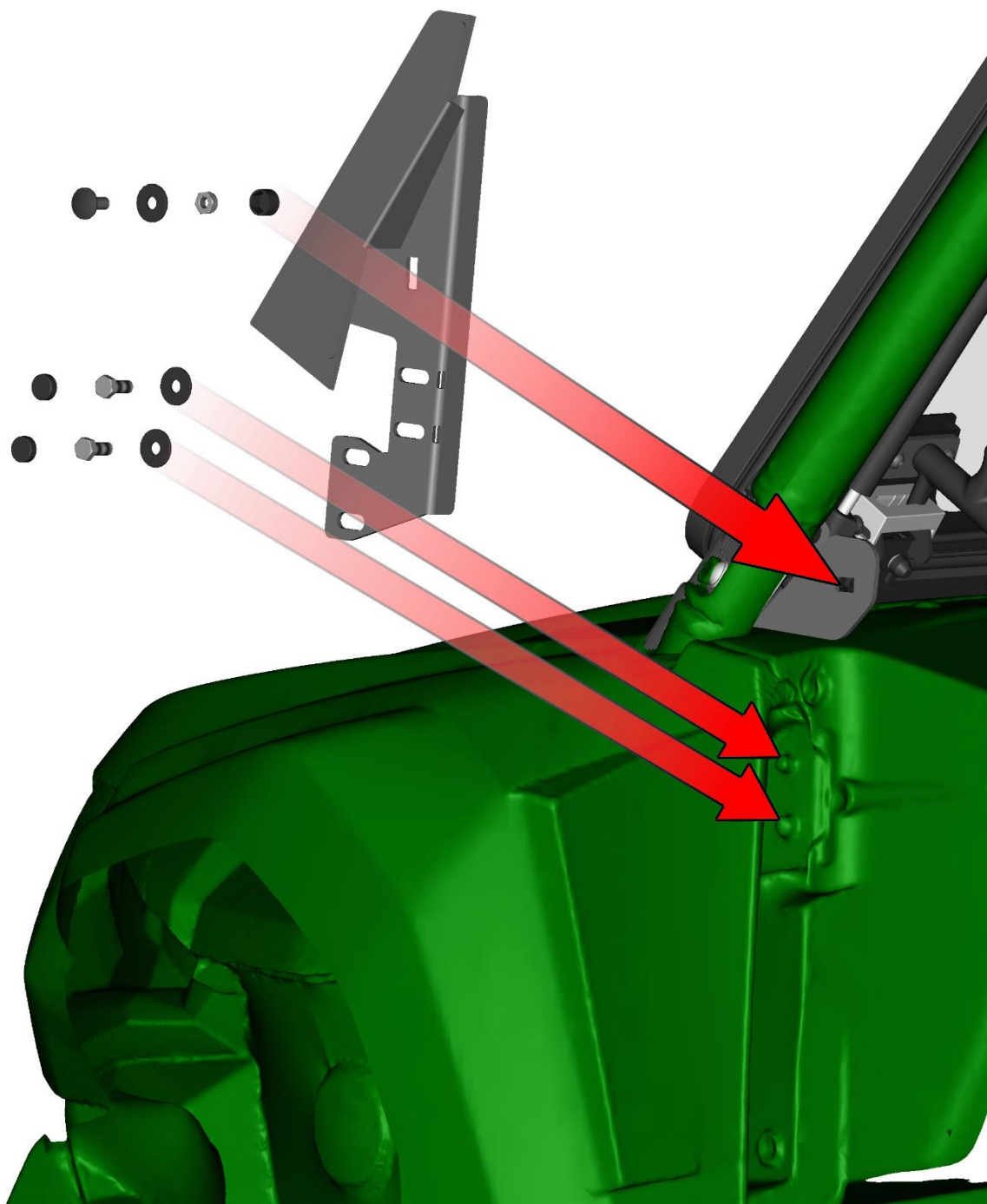


74

Adjust the door stop holder and the door stop pin.  
If you adjusted the door stop correctly and close the door slowly, you can hear two metallic click.



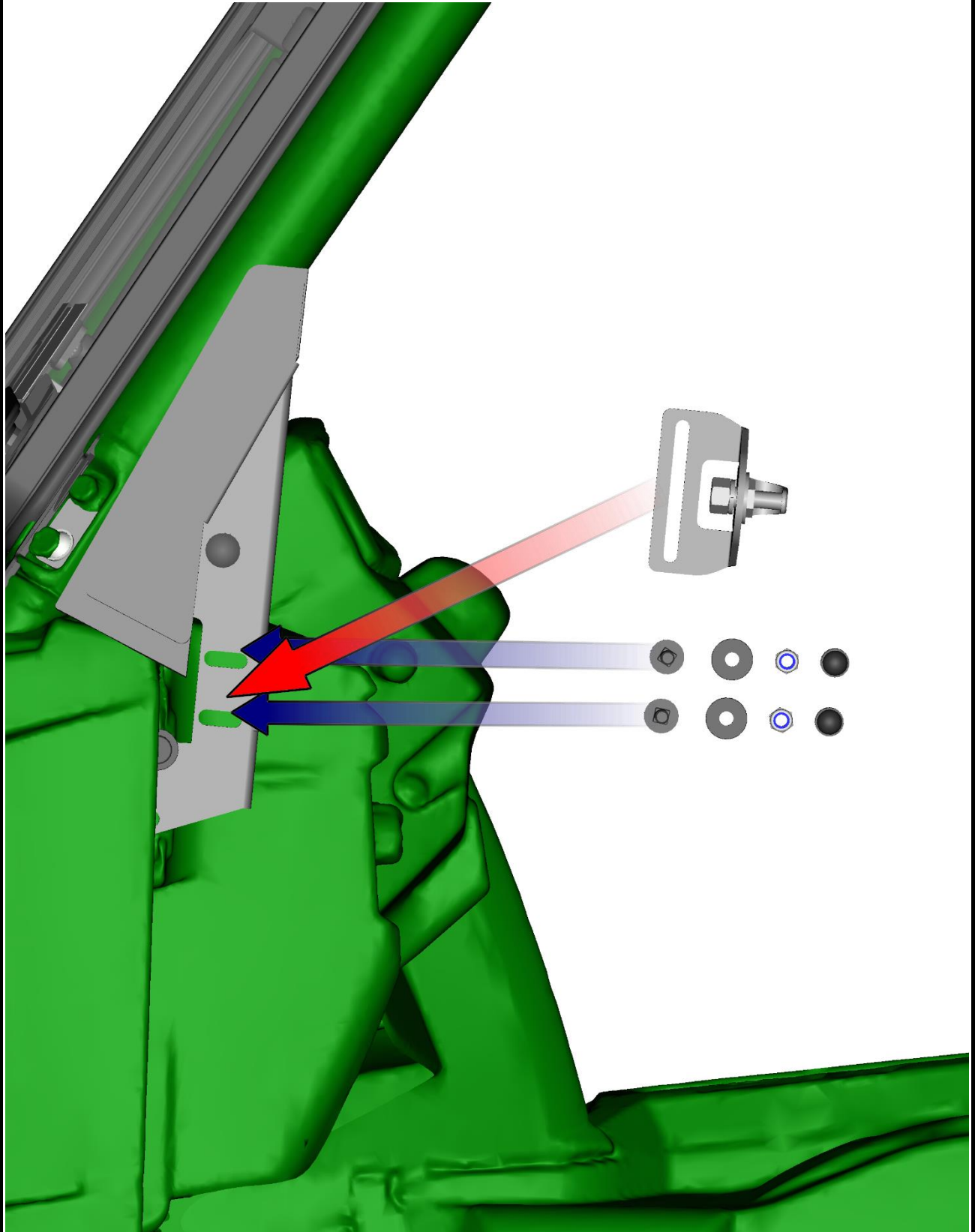
Place the front cover onto the front holder and onto the vehicle.  
Fix the cover with the holder by included screw, washer, nut and cover.  
Fix the cover with the vehicle by included screws and washers.



76

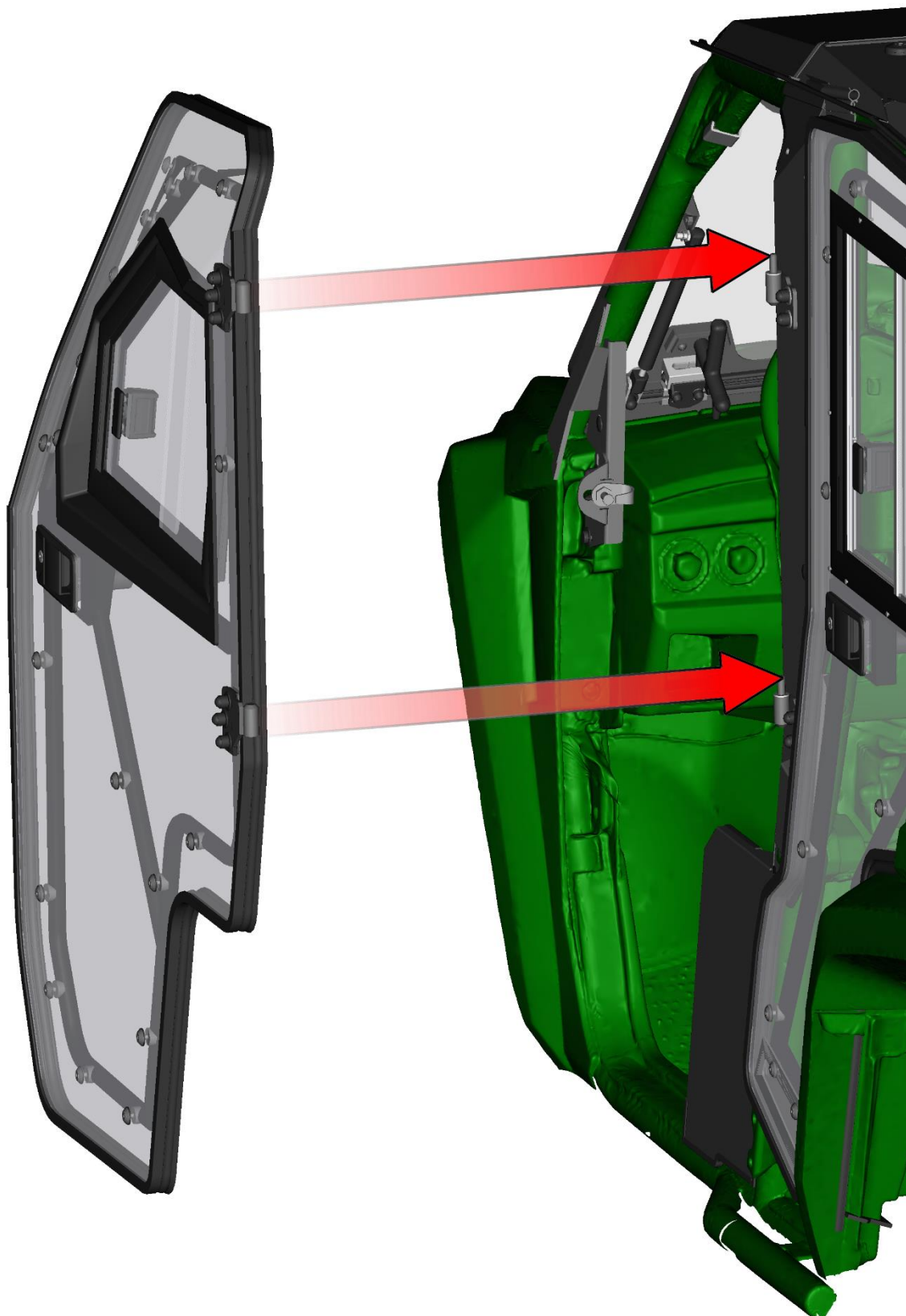


Place the door stop assembly onto the front cover from outer side. Fix the door stop with the cover by included screws, washers, nuts and covers.



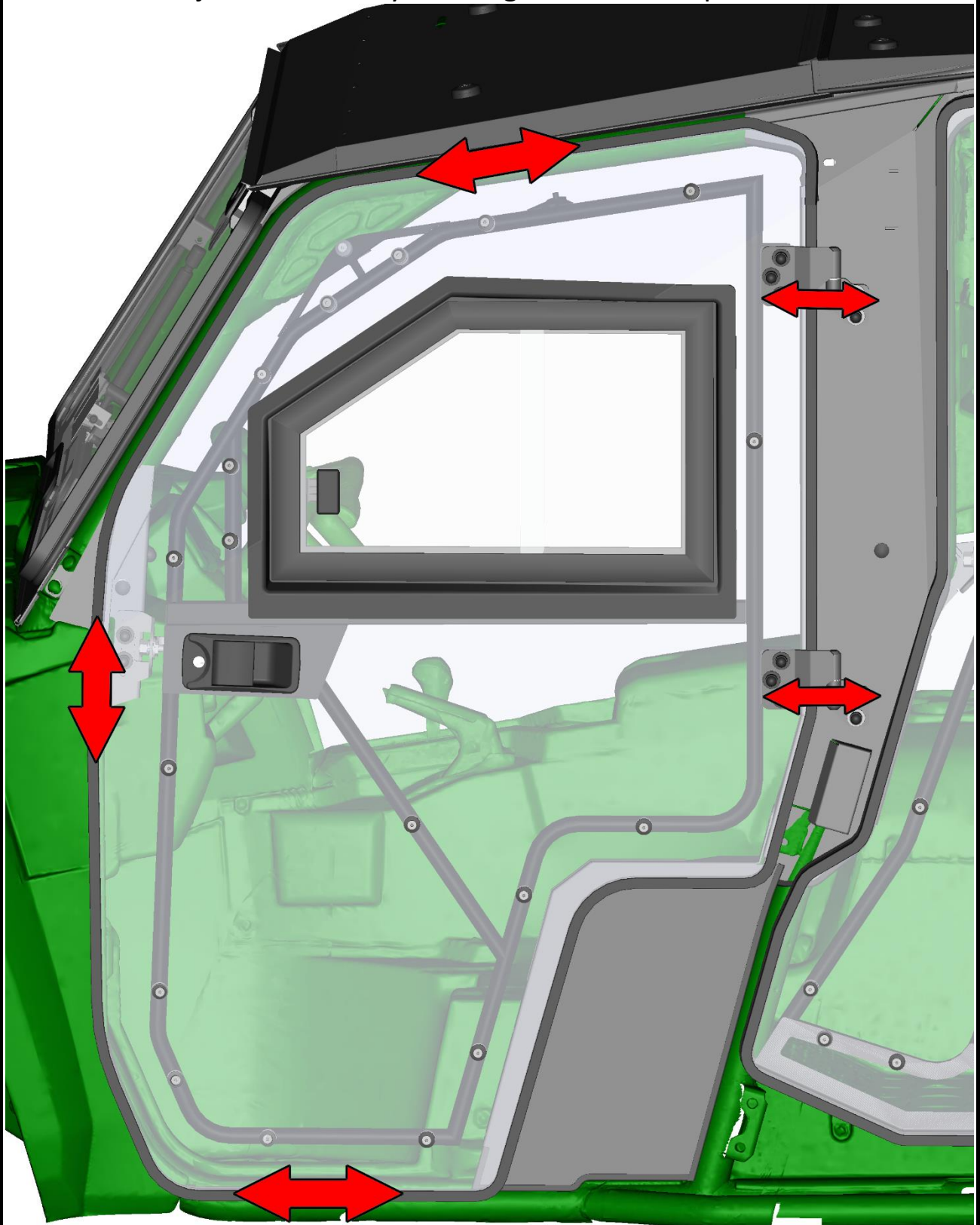
77

Lubricate the hinge pins and place the door onto the hinges.



78

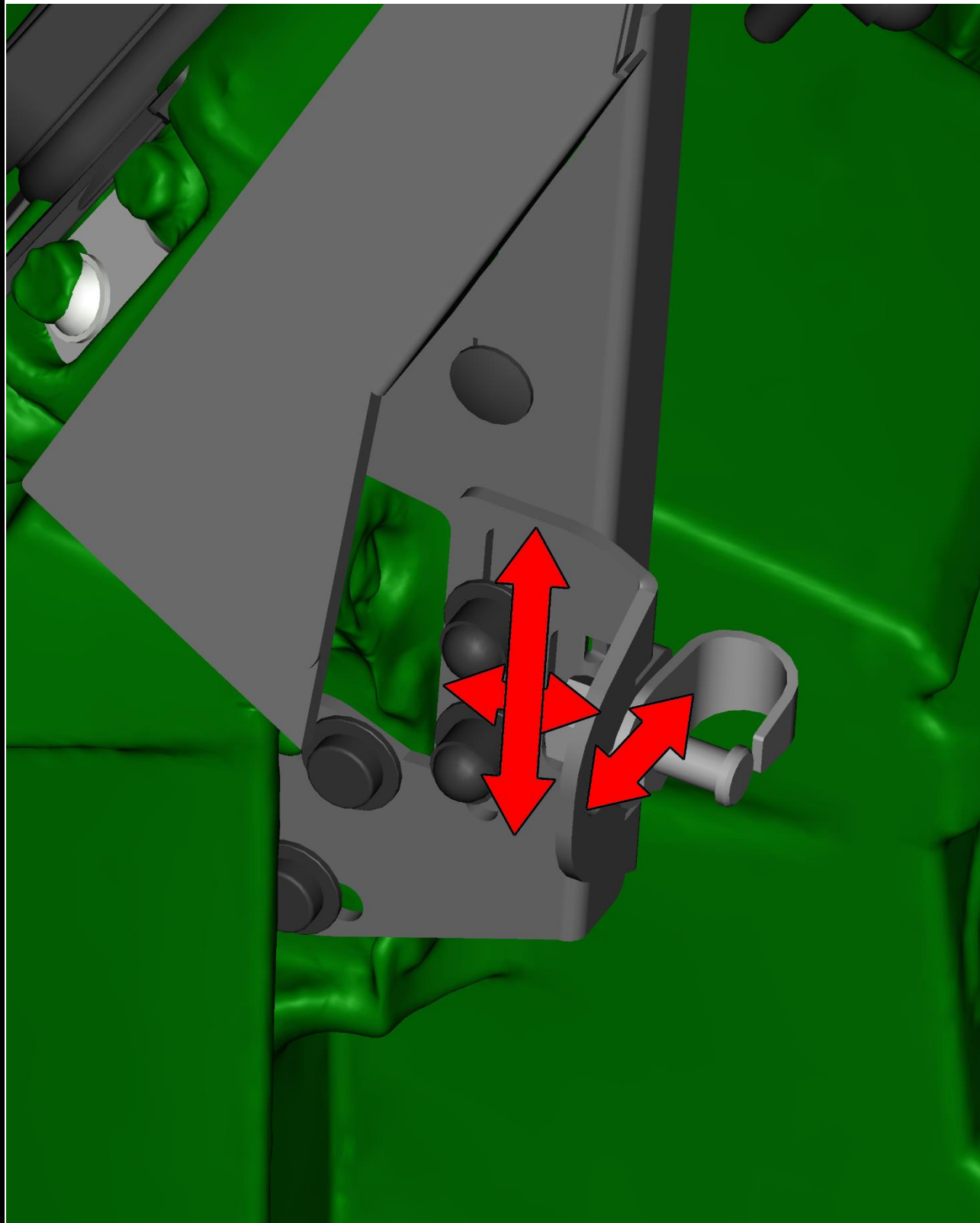
Adjust the door by the hinges to the best position.



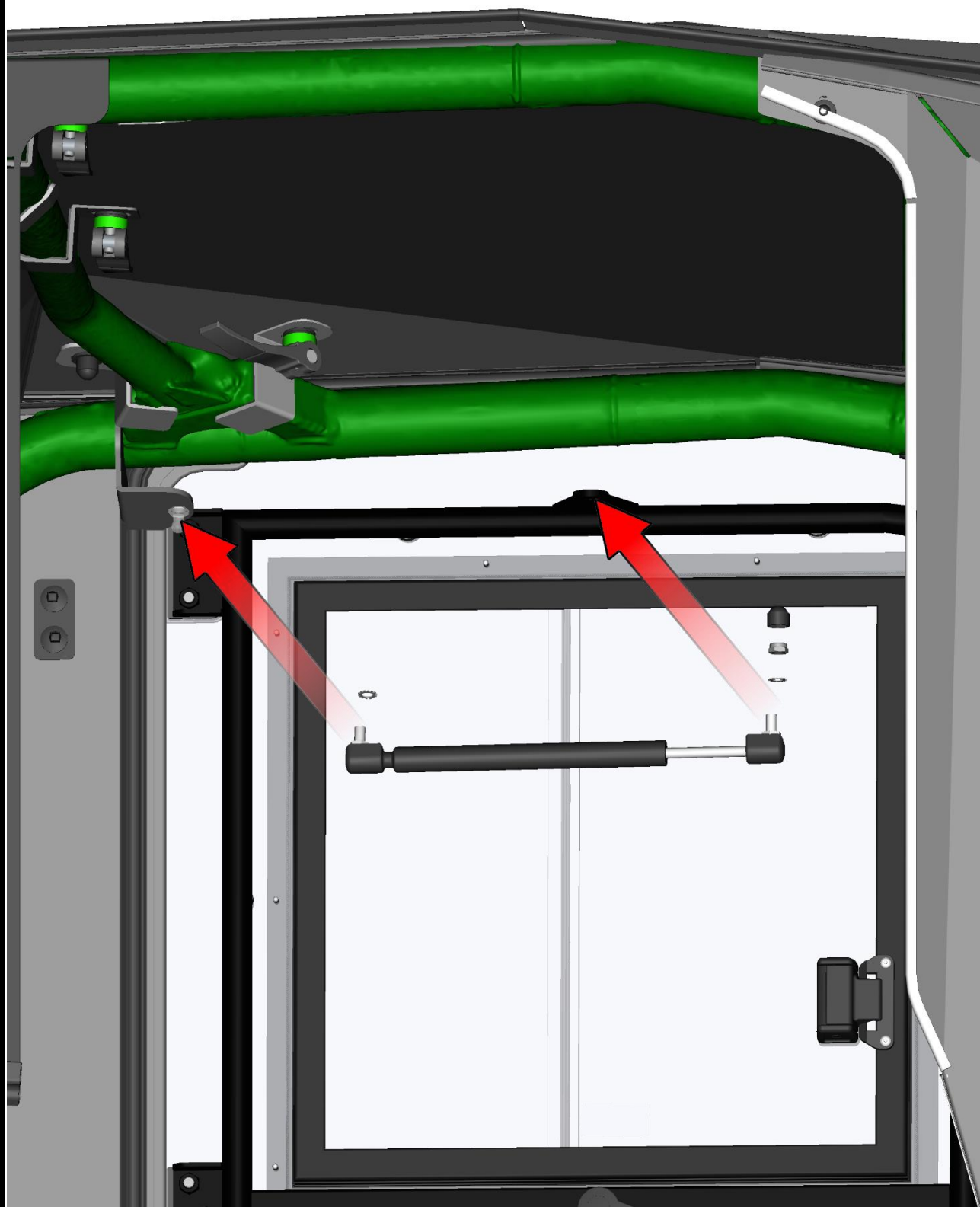


Adjust the door stop holder and the door stop pin.

If you adjusted the door stop correctly and close the door slowly, you can hear two metallic click.

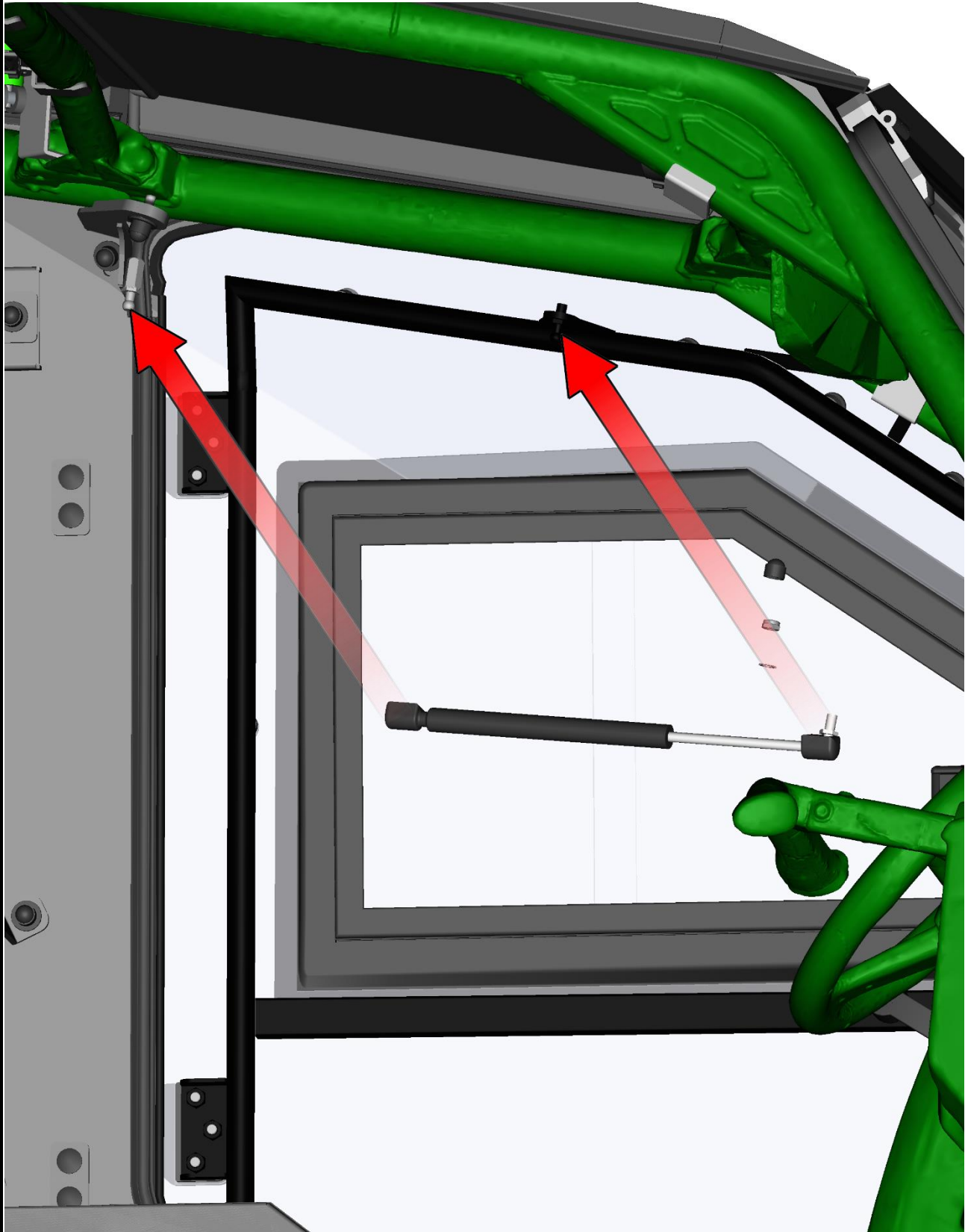


Install the rear gas spring assembly into the gas spring holders. Secure the gas spring pins by included nuts, washers and covers.



81

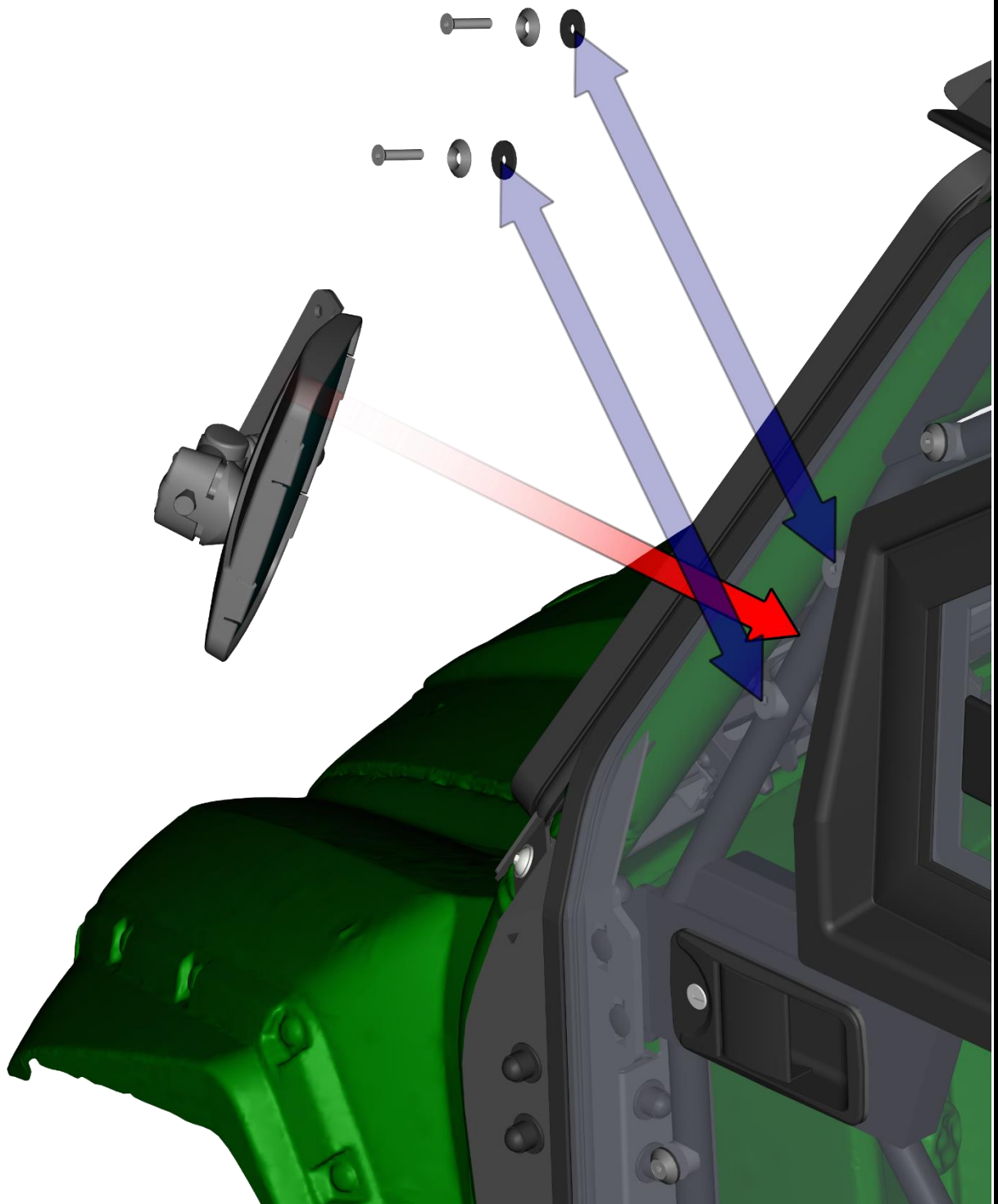
Install the front gas spring assembly into the gas spring holders. Secure the gas spring pins by included nuts, washers and covers.



82

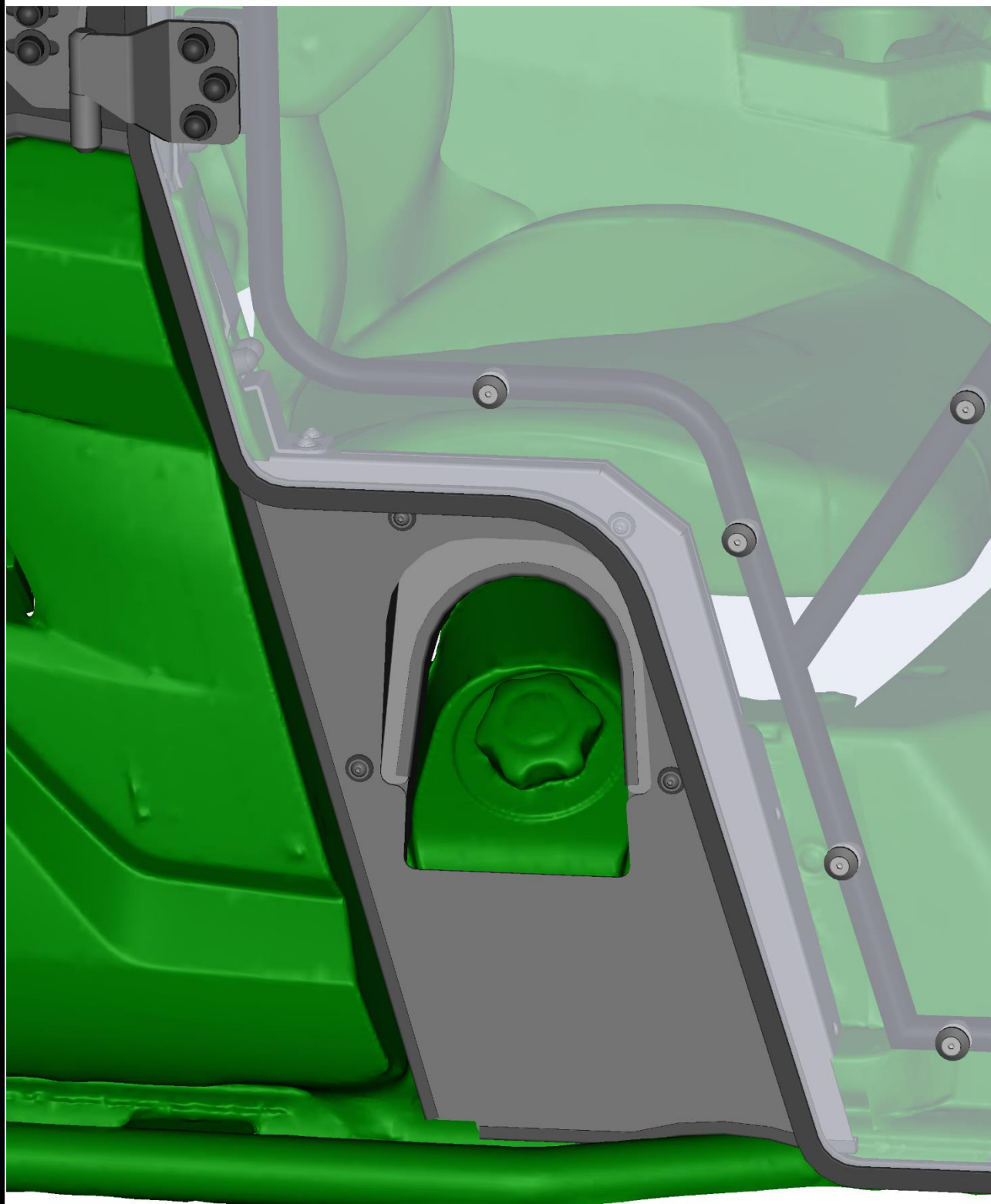


Uninstall screws and washers from the door. Place the side mirror with the holder onto the door. Fix the mirror holder with the door by screws and washers from previous step.



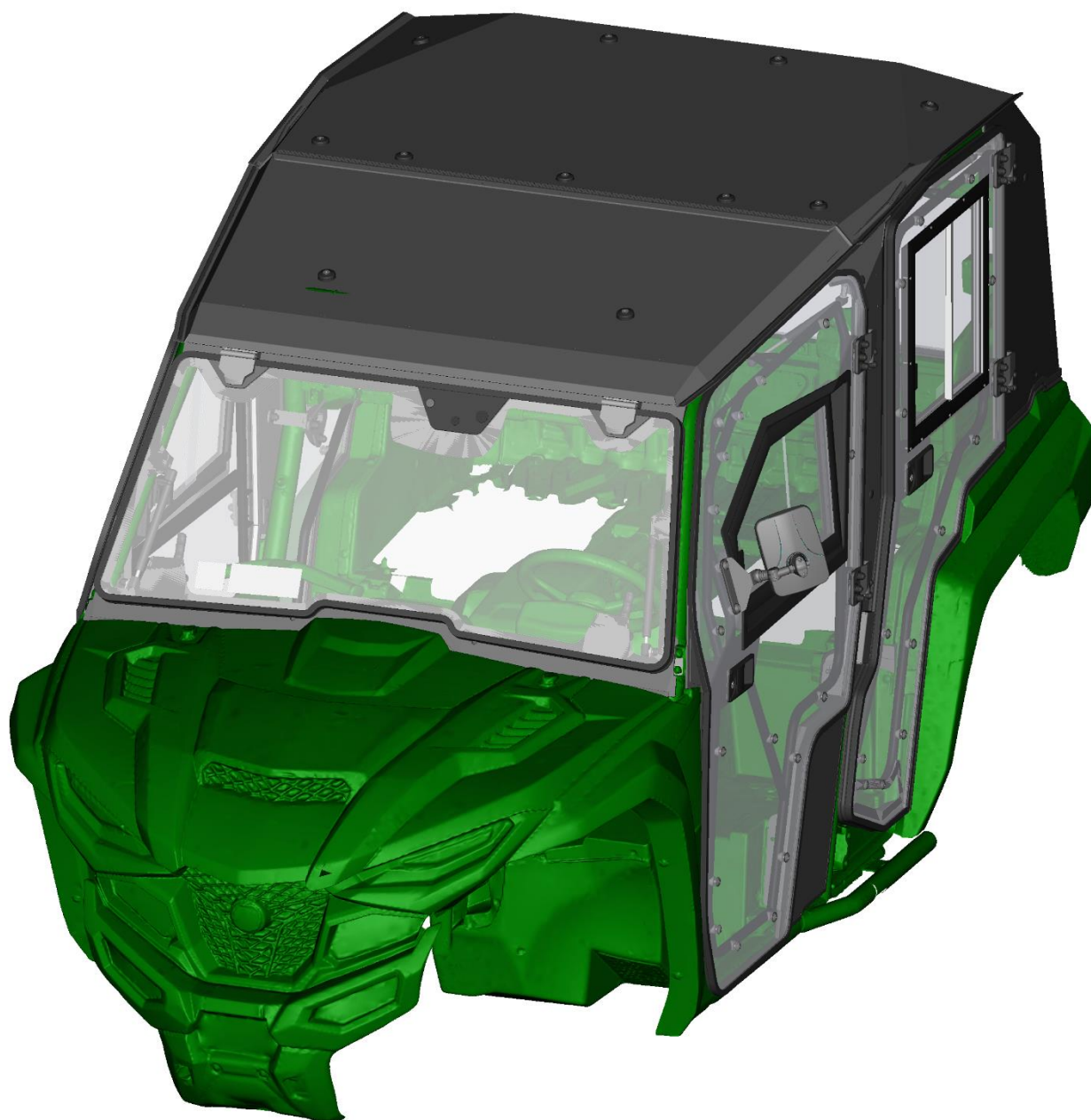
83

Repeat previous steps on the right side of the vehicle.  
DETAIL VIEW ON THE RIGHT BOTTOM COVER



84

Tighten all screws and nuts correctly.



85



**ELECTROINSTALLATION 2.**

Install the wiper motor with the wiper arm and wiper blade onto the front window.



Run the wiper/washer harness on the right central vehicle frame.



Run the wiper/washer harness around the frame to the wiper motor.



Run the wiper/washer harness around the frame to the wiper motor.





Run the wiper/washer harness around the frame to the wiper motor.



88 Connect the wiper harness with the motor and washer tube with the washer jet.





# BOLT TORQUE

## BOLT TORQUE SPECIFICATIONS

### GENERAL TORQUE SPECIFICATION TABLE

Use the following torques when special torques are not given. These values apply to fasteners as received from suppliers, dry, or when lubricated with normal engine oil. They do not apply if special graphited or moly disulphide greases or other extreme pressure lubricants are used. This applies to both UNF and UNC threads. Remember to always use grade five or better when replacing bolts.

**IMPORTANT: On all PLATED GRADE 8 bolts, reduce torque 15% from listed bolt torque specification.**

| SAE Grade No.  |             | 2           |      |               |      | 5           |      |               |      | 8*          |      |               |      |
|--|-------------|-------------|------|---------------|------|-------------|------|---------------|------|-------------|------|---------------|------|
| Bolt head identification mark as per grade.<br>NOTE: Manufacturing Marks Will Vary |             |             |      |               |      |             |      |               |      |             |      |               |      |
|  |             | TORQUE      |      | TORQUE        |      | TORQUE      |      | TORQUE        |      | TORQUE      |      | TORQUE        |      |
| Bolt Size  |             | Pounds Feet |      | Newton-Meters |      | Pounds Feet |      | Newton-Meters |      | Pounds Feet |      | Newton-Meters |      |
| Inches   | Millimeters | Min.        | Max. | Min.          | Max. | Min.        | Max. | Min.          | Max. | Min.        | Max. | Min.          | Max. |
| 1/4  | 6.35        | 5           | 6    | 7             | 8    | 9           | 11   | 12            | 15   | 12          | 15   | 16            | 20   |
| 5/16   | 7.94        | 10          | 12   | 14            | 16   | 17          | 20.5 | 23            | 28   | 24          | 29   | 33            | 39   |
| 3/8  | 9.53        | 20          | 23   | 27            | 31   | 35          | 42   | 48            | 57   | 45          | 54   | 61            | 73   |
| 7/16   | 11.11       | 30          | 35   | 41            | 47   | 54          | 64   | 73            | 87   | 70          | 84   | 95            | 114  |
| 1/2  | 12.70       | 45          | 52   | 61            | 70   | 80          | 96   | 109           | 130  | 110         | 132  | 149           | 179  |
| 9/16   | 14.29       | 65          | 75   | 88            | 102  | 110         | 132  | 149           | 179  | 160         | 192  | 217           | 260  |
| 5/8  | 15.88       | 95          | 105  | 129           | 142  | 150         | 180  | 203           | 244  | 220         | 264  | 298           | 358  |
| 3/4  | 19.05       | 150         | 185  | 203           | 251  | 270         | 324  | 366           | 439  | 380         | 456  | 515           | 618  |
| 7/8  | 22.23       | 160         | 200  | 217           | 271  | 400         | 480  | 542           | 651  | 600         | 720  | 814           | 976  |
| 1  | 25.40       | 250         | 300  | 339           | 406  | 580         | 696  | 787           | 944  | 900         | 1080 | 1220          | 1464 |
| 1-1/8  | 25.58       | -           | -    | -             | -    | 800         | 880  | 1085          | 1193 | 1280        | 1440 | 1736          | 1953 |
| 1-1/4  | 31.75       | -           | -    | -             | -    | 1120        | 1240 | 1519          | 1681 | 1820        | 2000 | 2468          | 2712 |
| 1-3/8  | 34.93       | -           | -    | -             | -    | 1460        | 1680 | 1980          | 2278 | 2380        | 2720 | 3227          | 3688 |
| 1-1/2  | 38.10       | -           | -    | -             | -    | 1940        | 2200 | 2631          | 2983 | 3160        | 3560 | 4285          | 4827 |

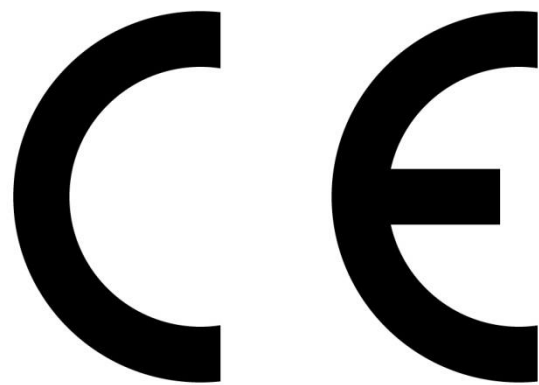
\*Thick Nuts must be used with Grade 8 bolts

### METRIC BOLT TORQUE SPECIFICATIONS

| Size of Screw | Property Class | Course Thread |             |               | Fine Thread |             |               |
|---------------|----------------|---------------|-------------|---------------|-------------|-------------|---------------|
|               |                | Pitch (mm)    | Pounds Feet | Newton-Meters | Pitch (mm)  | Pounds Feet | Newton-Meters |
| M6            | 5.6            | 1.0           | 3.6-5.8     | 4.9-7.9       | -           | -           | -             |
|               | 8.8            |               | 5.8-9.4     | 7.9-12.7      |             | -           | -             |
|               | 10.9           |               | 7.2-10      | 9.8-13.6      |             | -           | -             |
| M8            | 5.6            | 1.25          | 7.2-14      | 9.8-19        | 1.0         | 12-17       | 16.3-23       |
|               | 8.8            |               | 17-22       | 23-29.8       |             | 19-27       | 25.7-36.6     |
|               | 10.9           |               | 20-26       | 27.1-35.2     |             | 22-31       | 29.8-42       |
| M10           | 5.6            | 1.5           | 20-25       | 27.1-33.9     | 1.25        | 20-29       | 27.1-39.3     |
|               | 8.8            |               | 34-40       | 46.1-54.2     |             | 35-47       | 47.4-63.7     |
|               | 10.9           |               | 38-46       | 51.5-62.3     |             | 40-52       | 54.2-70.5     |
| M12           | 5.6            | 1.75          | 28-34       | 37.9-46.1     | 1.25        | 31-41       | 42-55.6       |
|               | 8.8            |               | 51-59       | 69.1-79.9     |             | 55-68       | 75.9-92.1     |
|               | 10.9           |               | 57-66       | 77.2-89.4     |             | 62-75       | 84-101.6      |
| M14           | 5.6            | 2.0           | 49-56       | 66.4-75.9     | 1.5         | 52-64       | 70.5-86.7     |
|               | 8.8            |               | 81-93       | 109.8-126     |             | 90-106      | 122-143.6     |
|               | 10.9           |               | 96-109      | 130.1-147.7   |             | 107-124     | 145-168       |
| M16           | 5.6            | 2.0           | 67-77       | 90.8-104.3    | 1.5         | 69-83       | 93.6-112.5    |
|               | 8.8            |               | 116-130     | 157.2-176.2   |             | 120-138     | 162.6-187     |
|               | 10.9           |               | 129-145     | 174.8-196.5   |             | 140-158     | 189.7-214.1   |
| M18           | 5.6            | 2.0           | 88-100      | 119.2-136     | 1.5         | 100-117     | 136-158.5     |
|               | 8.8            |               | 150-168     | 203.3-227.6   |             | 177-199     | 239.8-269.6   |
|               | 10.9           |               | 175-194     | 237.1-262.9   |             | 202-231     | 273.7-313     |
| M20           | 5.6            | 2.5           | 108-130     | 146.3-176.2   | 1.5         | 132-150     | 178.9-203.3   |
|               | 8.8            |               | 186-205     | 252-277.8     |             | 206-242     | 279.1-327.9   |
|               | 10.9           |               | 213-249     | 288.6-337.4   |             | 246-289     | 333.3-391.6   |



## **Declaration of Conformity**



**DFK Cab, s.r.o.**

Za Olšávkou 391

686 01 Uherské Hradiště

Česká republika / Czech Republic